

# Bike Rally



Be Sure  
to Read this  
Manual  
Before Use



## Operation Manual



UNIVERSAL SPACE

[www.universal-space.com](http://www.universal-space.com)

# CONTENT

**IMPORTANT SAFETY INSTRUCTIONS ..... 2**

**1. SPECIFICATIONS ..... 4**

**2.PACKAGE CONTENTS ..... 5**

**3.SET UP & INSTALLATION ..... 6**

**4.HOW TO PLAY..... 9**

**5. PARAMETER SETTINGS..... 12**

**6. MAINTENANCE&INSPECTION..... 13**

**7. OVERALL CONSTRUCTION ..... 14**

**8. GAME DECALS..... 25**

**Non-technical personnel who do not have technical knowledge and Expertise should refrain from performing such work that this manual require or perform tasks which are not explained in this manual. Failing to comply can cause severe accidents such as electric shock or other serious injuries. All repairs must be performed to original manufacturer specifications.**

**WARNING: To reduce the risk of fire, electric shock or personal injury, unplug or disconnect the machine from the power supply before servicing.**

Thank you for purchasing **Bike Rally** from Universal Space. We hope you enjoy the product. This manual contains valuable information about how to operate and maintain your game machine properly and safely. It is intended for the owner and personnel in charge of product operation. Carefully read and understand the instructions.

If you need any help during installation and setup please utilize this manual and troubleshooting guide. If the product fails to function properly, *non-technical personnel should under no circumstance attempt to service the machine*. Contact your distributor or manufacturer for help.

Before use, please read **IMPORTANT SAFETY INSTRUCTIONS**.

---

## IMPORTANT SAFETY INSTRUCTIONS

To ensure the safe usage of this product, carefully read and understand these instructions before operating your game.

Save these instructions for future reference.

Use this product only as described in this manual. Other uses not recommended may cause fire, electric shock or personal injury. Unplug the game from the outlet when not in use, when moving from one location to another, and before cleaning and servicing.

Explanations which require special attention are indicated by signs of warning. Depending on the potential hazardous degree, the terms: **NOTE**, **NOTICE**, and **WARNING** are used.

**NOTE:** A NOTE indicates useful hints or information about product usage.

**NOTICE:** A NOTICE indicates potential damage to product and how to avoid the problem.

**WARNING:** A WARNING indicates a potential for product damage or serious personal Injury.

It is important to understand the meaning of the following HAZARD SIGNS before continuing:

### High Voltage and Shock Hazard:

High voltage can cause electric shock.  
Turn off/unplug power before servicing.



### High Temperature Hazard:

This part may cause scalding.  
Do not touch. Surface may be hot.



### No Touching Hazard:

This part may be hot or can cause electric shock. Do not touch.  
Use the following safety guidelines to help ensure your own personal safety and to help protect your equipment and surrounding environment from potential damage.



 **This product is an indoor game machine. Do not install outdoors.**

Avoid installing in the following places to prevent fire, electric shock, injury and/or machine malfunctioning:

- Places subject to rain/moisture, or places subject to high humidity.
- Places subject to direct sunlight, or places subject to extremely hot or cold temperatures to ensure that it is used within the specified operating range.
- Places where inflammable gas may be present or in the vicinity of highly inflammable/volatile chemicals or items that can easily catch fire
- On unstable or sloped surfaces. The machine may topple or cause unforeseen accidents.
- Vicinity of fire exits, fire extinguishers etc that may block/prevent safety measures

**IMPORTANT NOTE:**

**ALL REPAIRS MUST BE DONE TO ORIGINAL MANUFACTURER SPECIFICATIONS. FAILURE TO DO SO VOID ALL WARRANTIES AND OPERATOR ASSUMES ALL RISKS.**

Note: The contents of this manual may be updated without notice

# 1. SPECIFICATIONS

Work voltage:110V 50/60Hz

Power consumption: Mini power consumption:230W

Max power consumption:260W

Dimension:W75.78×D39.37×H75.15 (inches)

Weight: approximately 551 (lbs)

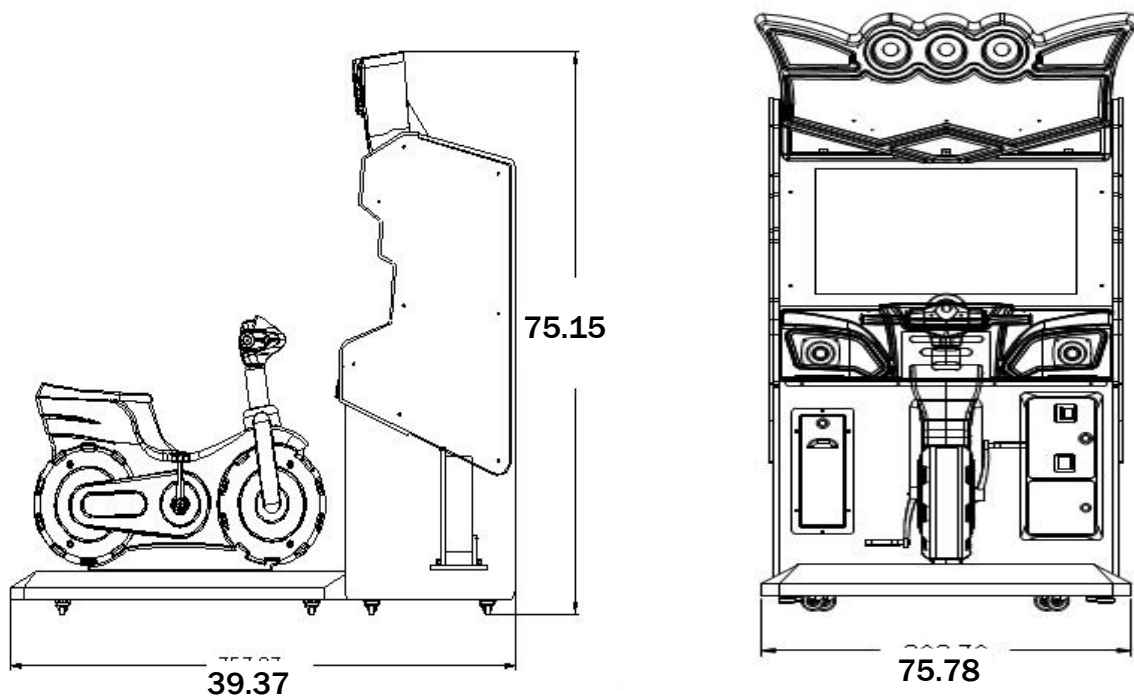
Environment condition: (Indoor) Temperature:-10°C~+40°C

Humidity:≤90%

Atmospheric pressure:86Pa~106 Pa



**Note:** After turning off the game, please wait at least 1 minute before restarting again.






**Note:** Game parameters are subject to change without notice.

## 2. PACKAGE CONTENT

Open the package and make sure all the items are included:

- 1 x Body Assembly
- Following accessories

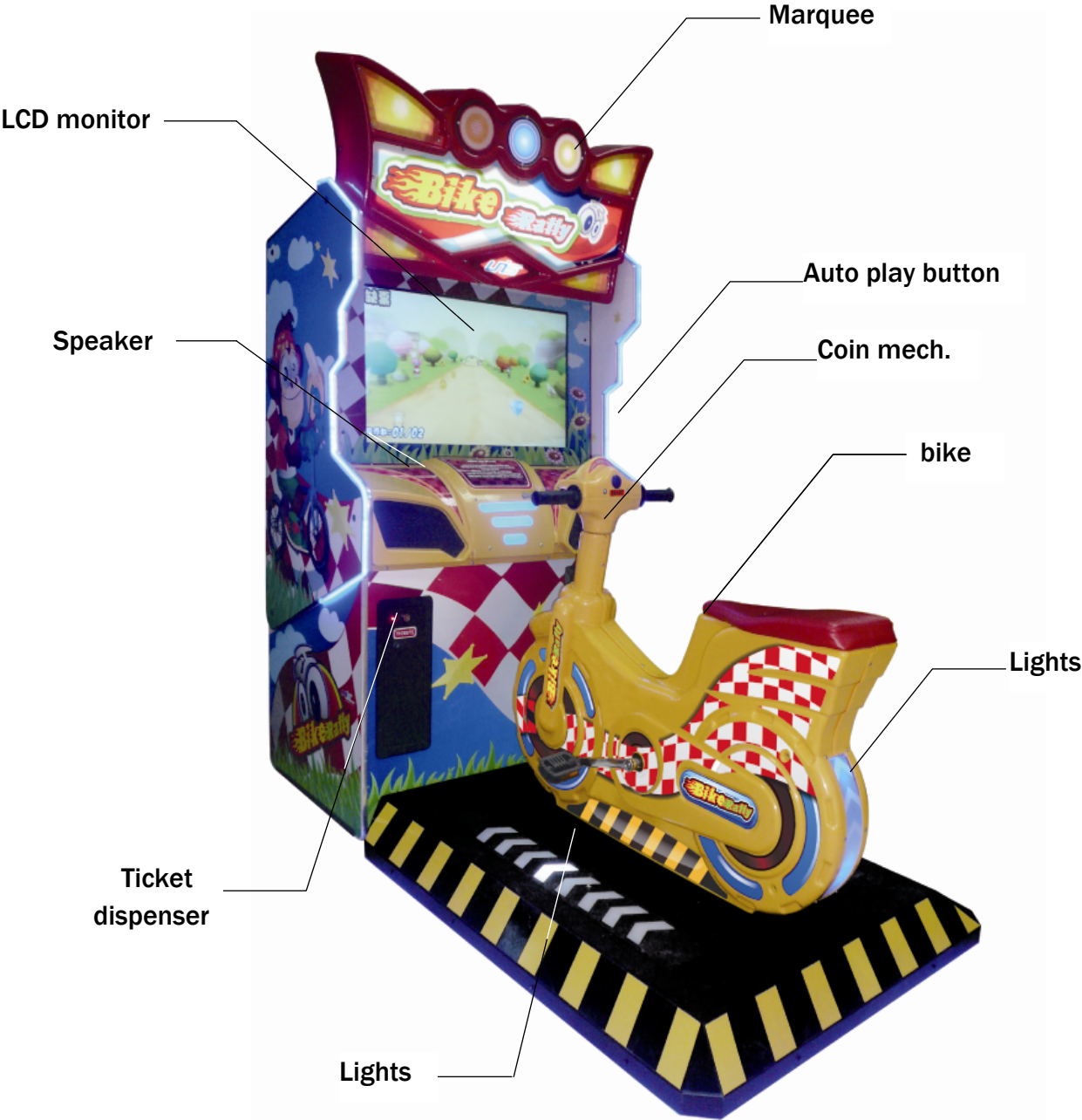
If any items are found to be missing, please contact your sales representative

No.	Part No.	Draw No.	Name	Spec.	Qty	Illustration
1	H-121-448-000	23301000001	Power cord	10A/250V-1.8M	1	
2	H-121-449-000	25300171002	Key	171	2	
	H-121-484-000	25302222002	Key	2222	1	
3	H-121-450-000	21901000015	Fuse	Φ5×20mm T6.3A 250VAC	2	
4	H-121-451-000	41300000003	USB	Lenovo 2G	1	
5	H-121-701-000	41441110001	Manual	English	1	
6	H-121-195-000	4.06.13.160028	Wrench	13-15		

for help immediately.

**NOTE:** Part models are subject to change without notice.

### 3. PART NAMES



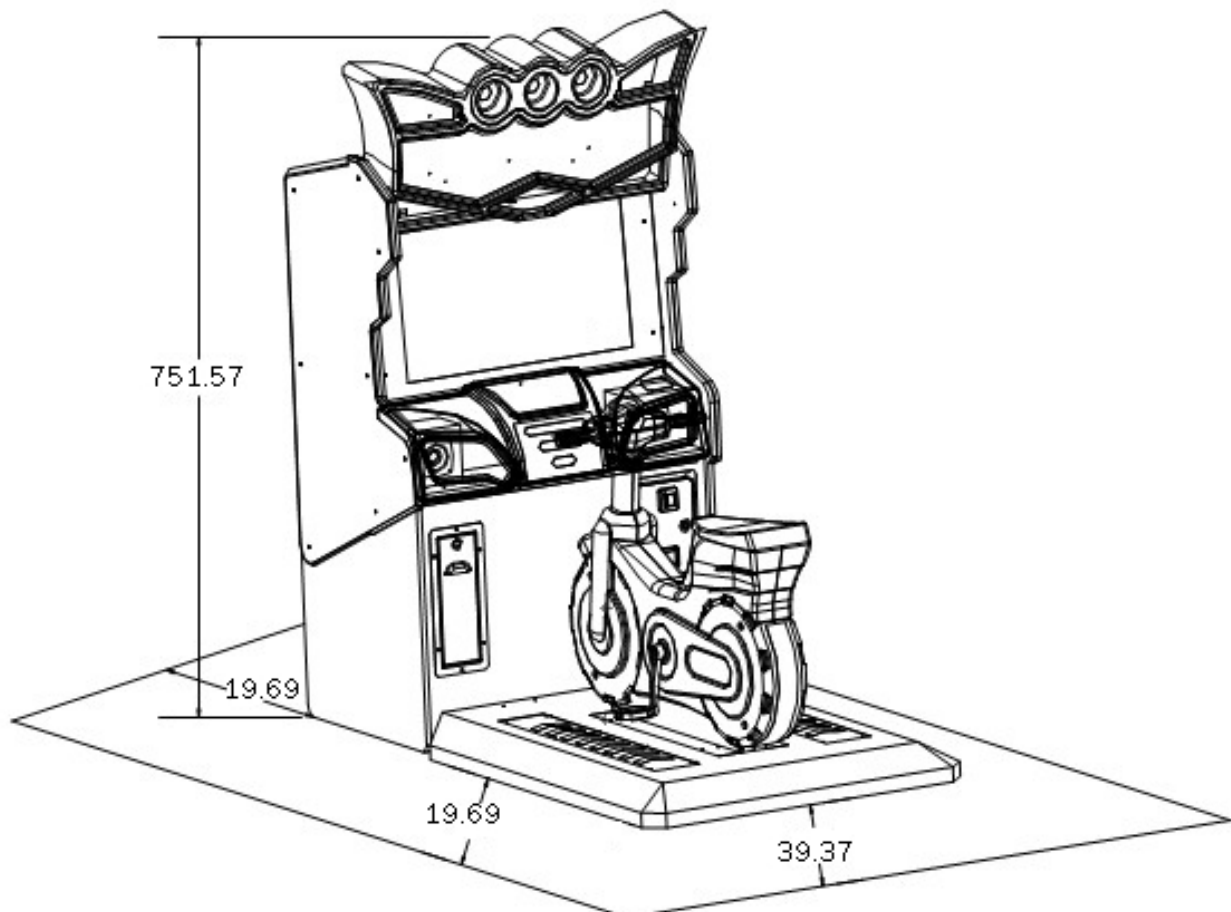
## 4. SET UP & INSTALLATION

 **This product is an indoor game machine. Do not install outdoors.**

- Refer to IMPORTANT SAFETY INSTRUCTIONS (Pg. 2) for places to avoid
- Place the unit on a dry level surface
- Ventilation openings in the back of the unit must not be obstructed by objects or by wall.

### 4.1 Play Zone

This machine requires space for playing and for maintenance as shown below. Leave space around the game upon installation:

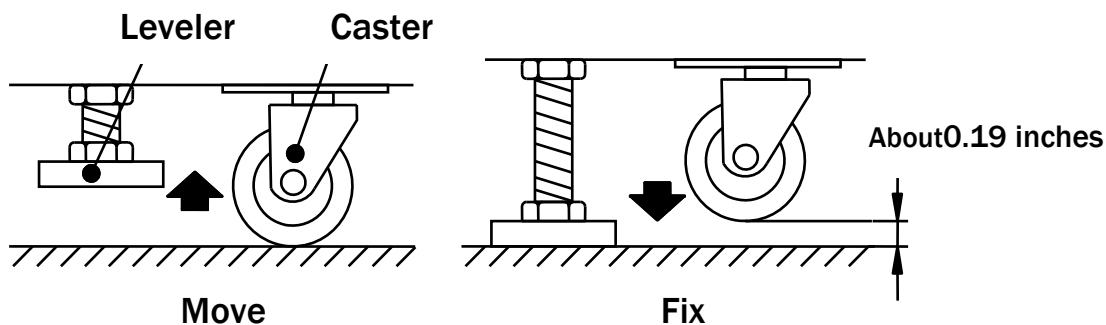




## 4.2 Level Adjustment

Install this machine on a flat surface. Adjust levers to lift casters off the ground to level the game. If the game is installed on an unsuitable floor, it could cause game malfunction.

To secure the game, adjust the Leveler down until it touches the floor, lifting the casters off the ground by 5mm. Repeat the same for all levelers.

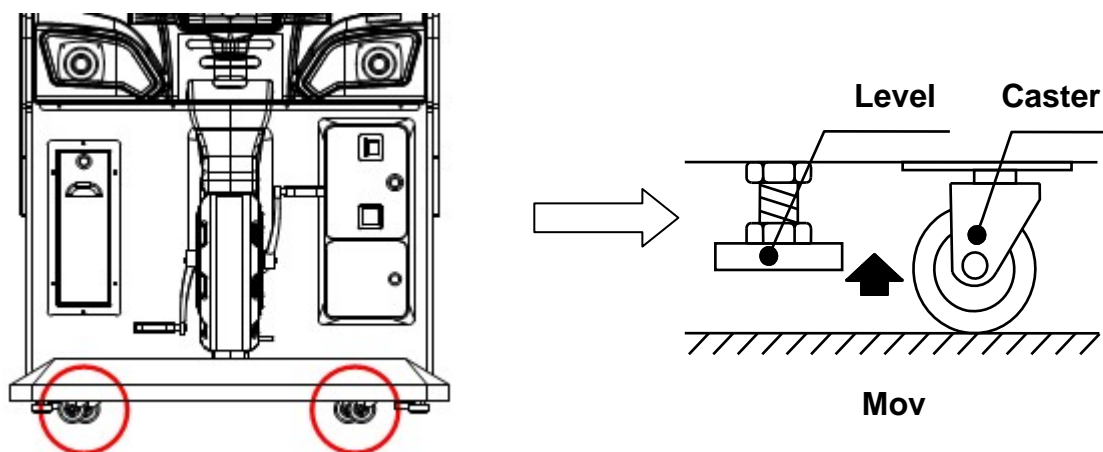


### NOTICE

Make sure the machine is level with the ground and all the adjustable legs should stick to the floor closely.

## 4.3 Transporting The Game

If you need to move the game, adjust the levelers back to an “up” position so the casters touch the ground.



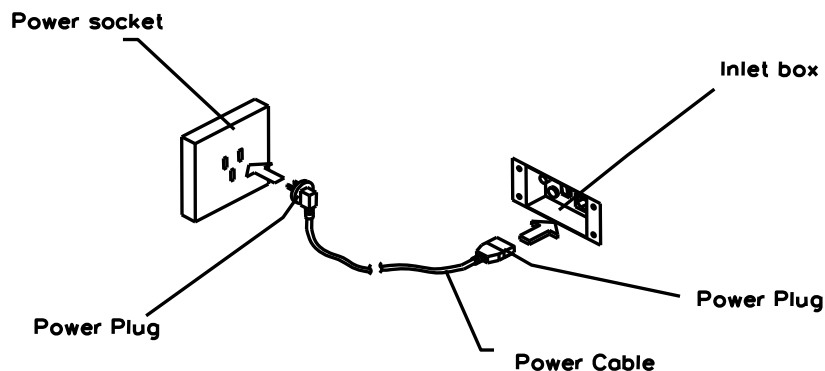
### NOTICE

- Be careful not to damage the machine during transport.
- The machine should be handled with care when bringing it down from a higher level.
- Always unplug the game before moving.
- Keep the machine in upright position during transport.
- For longer distance transport, package the game properly to prevent damages

## 4.4 Connecting Power

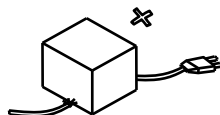
**!** **WARNING:** Check the voltage rating before you connect the equipment to an electrical outlet to ensure that the required voltage and frequency match the available power source. Please refer the label of the machine.

- Do not plug the equipment power cables into an electrical outlet if the power cable is damaged.
- Avoid putting many loads on one electrical outlet as it could generate heat and fire resulting from overload.
- Connect the grounding conductor to the earth terminal (GND):

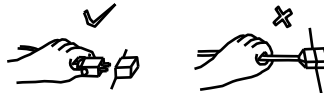


### WARNING

Ensure no heavy objects rest on the power cord. Check to make sure the game cabinet does not sit on the power cord as this could damage the cord and become hazardous.



To disconnect the game, grip the plug and pull it from the wall outlet. Never pull by the cord.



To prevent electric shock, do not touch the power plug when hand is wet.



Ensure that nothing rests on the power cord and that it is not located where it can be stepped on or tripped over.



## 5. HOW TO PLAY

\*Rally bike playable is designed for children.

\* Choose different character by player or by computer. Choose to play in forest mode or street mode by player or by computer.



\*Use the pedals, handle bar and brakes to control the bike.

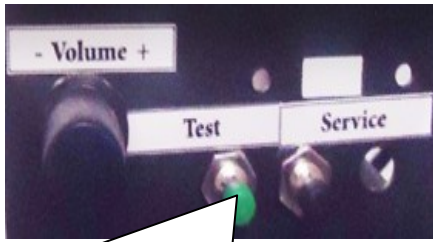
\*Try your best to avoid all obstacles and win as many point as possible in limited time.

\*More points means more tickets, so try your best.



## 6 GAME SETTINGS

### 6.1 Game setting menu



Step 1: Press "Test" button, and go to the setting menu.



Step 3: Press button to confirm the setting.

Step 2: Hold the break to select item.

Item	Explanations	setting range
Language select	Select Chinese or English	Chinese/English
Free play	Play game with/without coin	On/off
Coin setting	credit required to play	1~9 coins
Time(Seconds)	Game play time	20~90 seconds
Character Choose Mode	Choose character method	Chosen by player/Chosen by computer
Map Choose Mode	Choose map method	Chosen by player/Chosen by computer
Ticket Payout (Every ticket)	Points for every 1 ticket	1-99 points
Sound control	Game play music control	On/off
Coin	Show current total amount of coin	
Ticket	Show current total amount of ticket	
Clear	Clear game data	All clear
Times chosen by player	bookkeeping the times chosen two characters by layer	
Times chosen by computer	bookkeeping the times chosen two characters by computer	
Save & Exit	Save the setting and back to the game	

## 7. MAINTENANCE & INSPECTION

### 7.1 Safety Check

Check the points listed before operating the machine. These checks are necessary for safe machine operation:

1. Try to run the game before operation each day.
2. Conduct monthly routine checks of game components ensure good working condition
3. Check the machine regularly for dust and clean when necessary.

**Note:** Parts and components require preventative maintenance to be kept running smoothly

### 7.2 Handling Precautions

When installing or inspecting the machine, be very careful of the following points and pay attention to ensure that the player can enjoy the game safely.

Non-compliance with the following points or inappropriate handling running counter to the cautionary matters herein stated can cause personal injury or damage to the machine



#### WARNING

- Before servicing the machine, be sure to turn power off. Servicing without turning the power off can cause electric shock or short circuit.
- To avoid electric shock or short circuit, do not plug then unplug the power quickly
- Do not expose power cords and earth wires, these are susceptible to damage.
- Damaged cords and wires can cause electric shock or short circuit and should be replaced immediately.
- When or after installing the product, avoid pulling the power cord to prevent unnecessary wear and tear. Use the power button to disconnect power.
- In case the power cord is damaged, ask for replacement through where the product was purchased from or replace locally. Continued usage of damaged cord can cause fire, electric shock or leakage.
- Perform grounding appropriately. Inappropriate grounding can cause electric shock.
- Use fuses that meet specified rating. Fuses exceeding can cause an electric shock.
- Should a problem occur, turn off the power immediately and stop operating the machine. Unplug the power cord of the service outlet. Operating the machine without correcting the problem may cause a fire or injuries.
- Insert the power plug securely into the outlet. Poor contact may cause overheating, resulting in fire or burns.
- To ensure the warning labels attached on the machine are visible and legible, install the machine in a well-lit location, and keep the labels clean at all times. Make sure the labels are not hidden behind other game machines.

### 7.3 Pedal Assembly Maintenance

Pedals are wearing parts. They can last about one year under normal operation. So please change to new pedals every at least half a year or one year. If pedals do not be operated smoothly or sounds unusual, please replace it right away. Pedal is marked “R” or “L” on each pedal to distinguish the position. Make sure do not replace the wrong pedal for service.



#### A) To replace the left bike pedal

**Step 1** Power off the game. Hold the crank and use the wrench (H-121-195-000) to clamp the joint of the crank and pedal. Turn the wrench in a clockwise direction to release the left pedal.

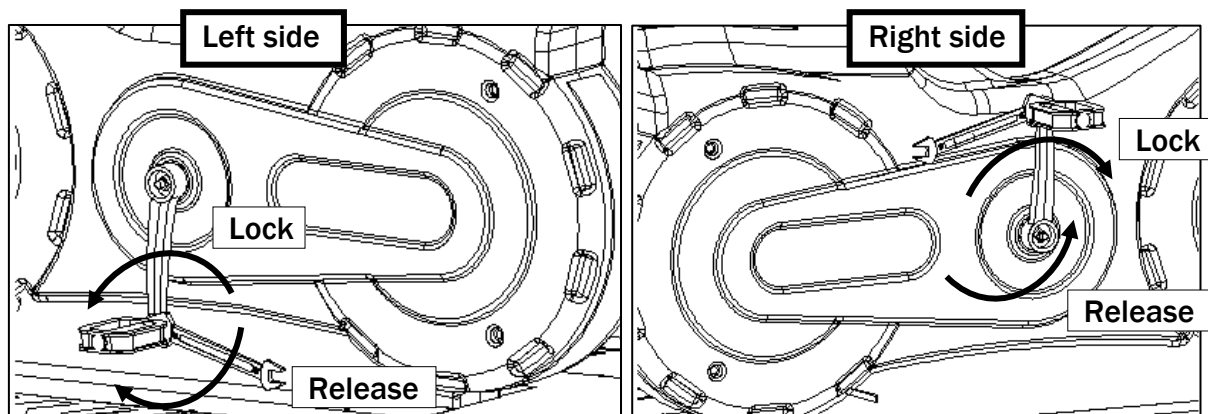
**Step 2** Install the new left pedal to the crank. Use the wrench to clamp the joint of the crank and the pedal. Turn the wrench in an anti-clockwise direction to lock the pedal. Make sure the pedal is locked tightly to the crank.

#### B) To replace the right bike pedal

**Step 1** Power off the game. Hold the crank and use the wrench (H-121-195-000) to clamp the joint of the crank and pedal. Turn the wrench in an anti-clockwise direction to release the right pedal.

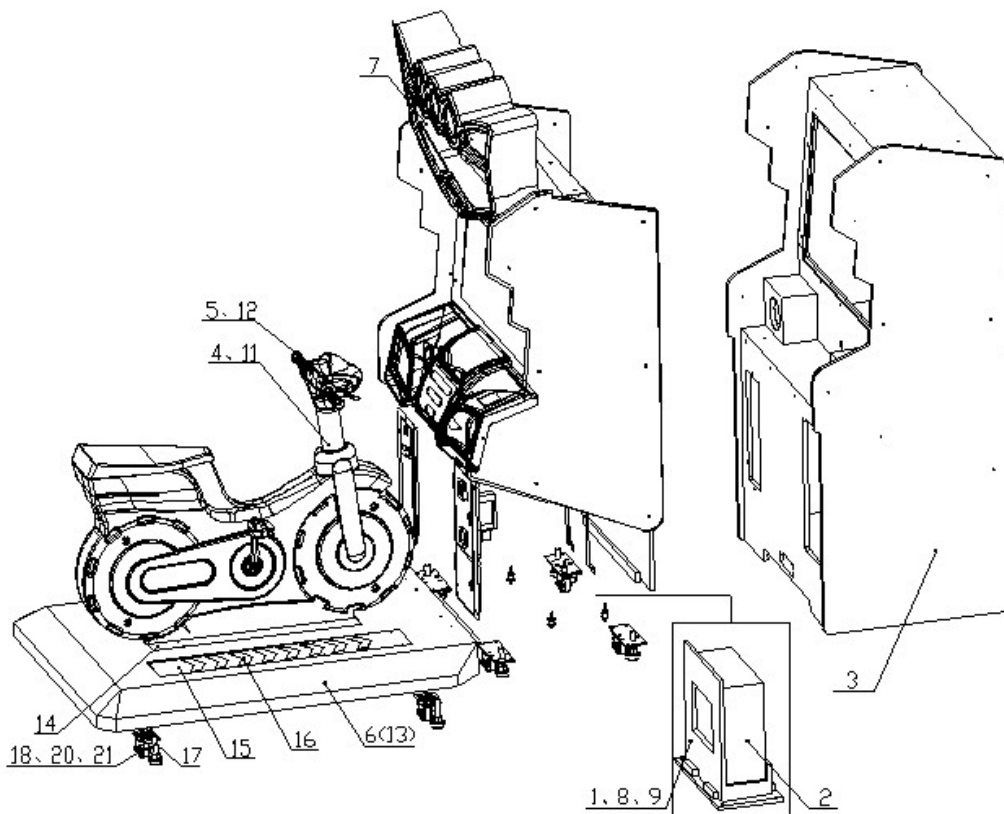
**Step 2** Install the new right pedal to the crank. Use the wrench to clamp the joint of the crank and the pedal. Turn the wrench in a clockwise direction to lock the pedal.

Make sure the pedal is locked tightly to the crank.



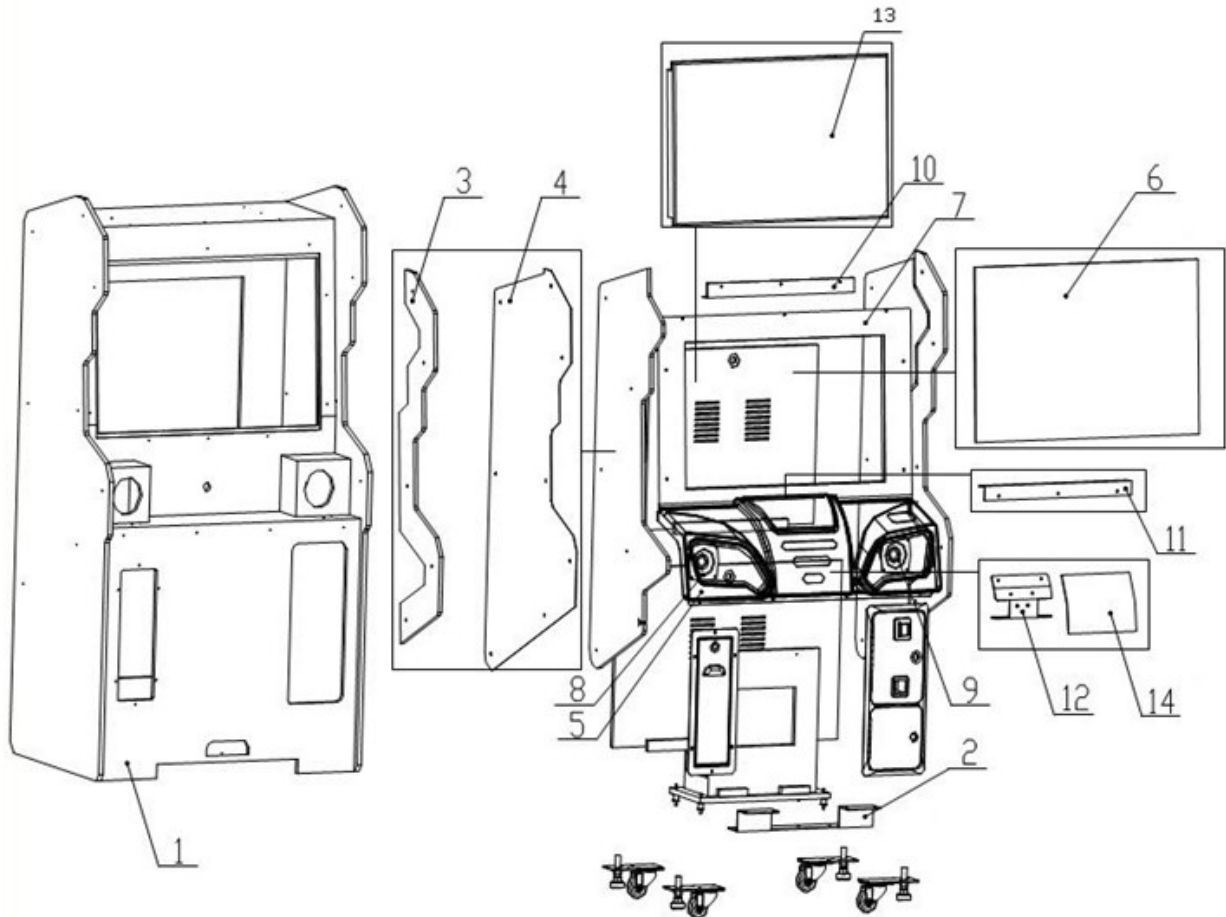
## 8. OVERALL CONSTRUCTION

### 8.1 Main Assembly



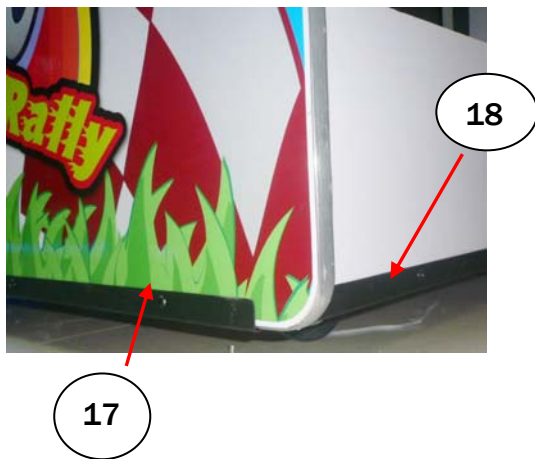
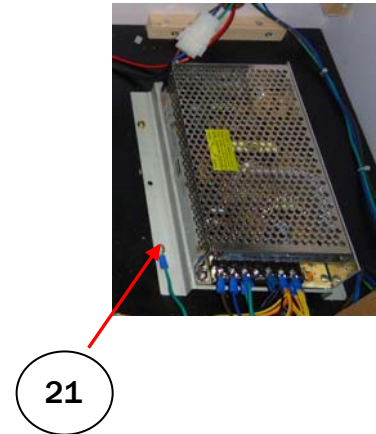
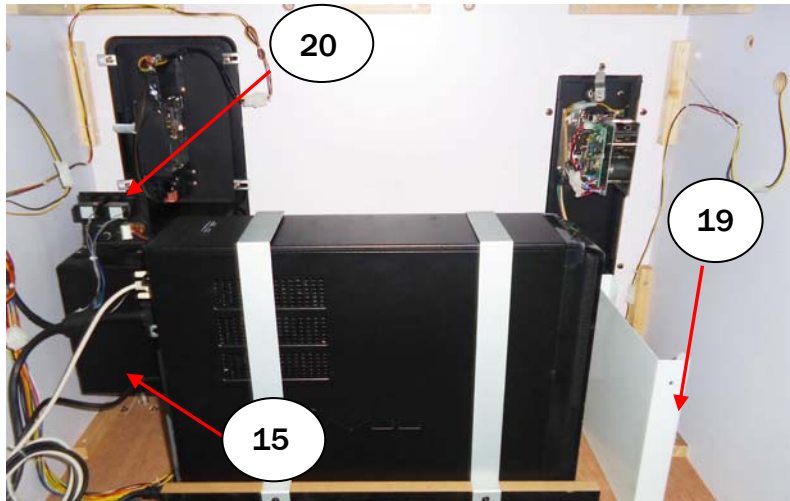
No.	Part No.	Draw No.	Name	Qty
1	H-121-001-000	HLJTC-00-01(M)	Main frame	1
2	H-121-101-000	HLJTC-00-02	PC bracket	1
3	H-121-002-000	HLJTC-01-00	Back box	1
4	H-121-003-000	HLJTC-02-00	Bike body mechanism	1
5	H-121-004-000	HLJTC-03-00	Bike head mechanism	1
6	H-121-005-000	HLJTC-04-00	Base mechanism	1
7	H-121-006-000	HLJTC-05-00	Marquee mechanism	1
8	H-121-401-000	TY-JX-012	Shockproof screw A	4
9	H-121-402-000	20102030031	Swing nuts	4
10	H-121-403-000	20101010009	Hexagon socket head cap screws	4
11	H-121-404-000	20102040023	Non-metallic inserted hexagon nuts	4
12	H-121-405-000	20105000020	A type circlip for bearing	1
13	H-121-102-000	HLJTC-04-01	Frame base	1
14	H-121-103-000	HLJTC-04-02	Frame seat cover	2
15	H-121-104-000	HLJTC-04-03	Light cover board	2
16	H-121-601-000	HLJTC-04-04	Lighting acrylic	2
17	H-121-406-000	TY-JX-008	2.5" leveler	4
18	H-121-407-000	25501000056	2.5" caster	4
19	H-121-408-000	20101010005	Hexagon socket head cap screws	24
20	H-121-409-000	20104020003	Cross recessed pan head kit bolts	16
21	H-121-410-000	20102030014	Hexagon nut	4

## 8.2 Cabinet



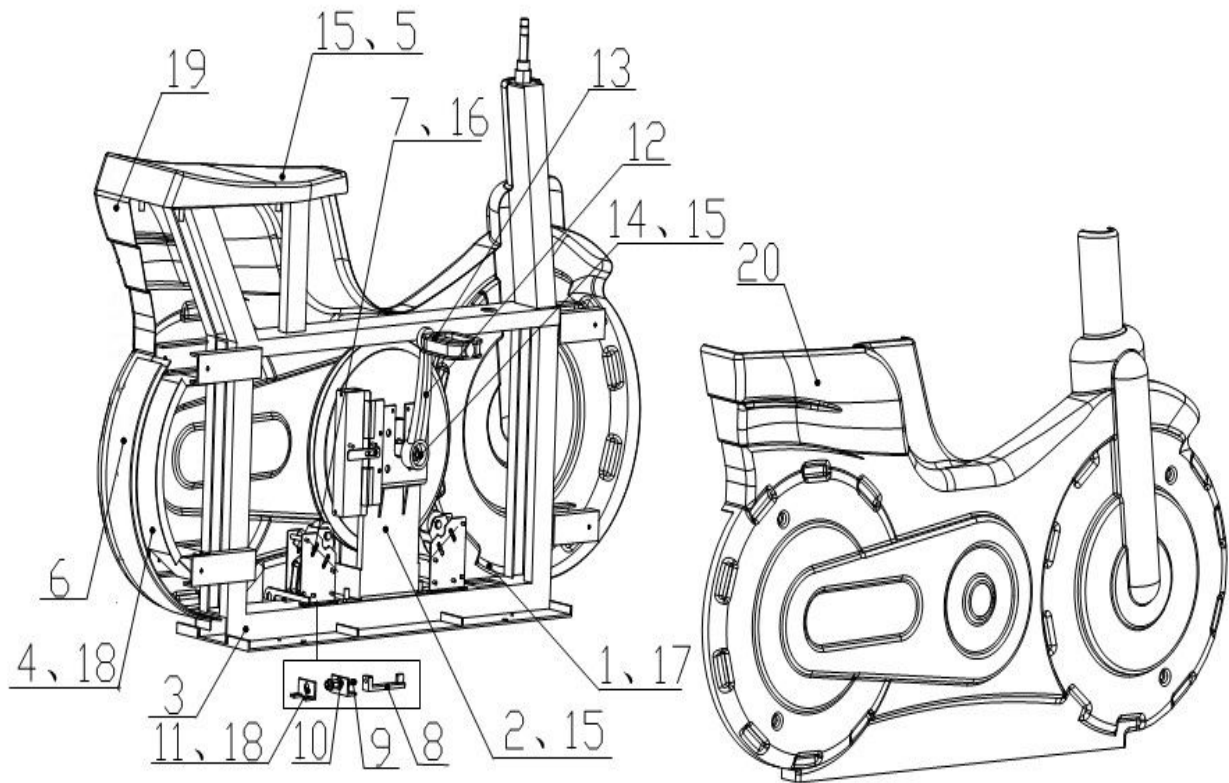
NO.	Part No.	Draw No.	Name	Qty
1	H-121-501-000	HLJTC-01-01(M)	Wooden box	1
2	H-121-105-000	HLJTC-01-02	Connecting board	1
3	H-121-602-000	HLJTC-01-03	Side acrylic	2
4	H-121-106-000	HLJTC-01-04	Side cover	2
5	H-121-603-000	HLJTC-01-05	Control panel vacuum form	1
6	H-121-301-000	HLJTC-01-06	Fiberglass	1
7	H-121-107-000	HLJTC-01-07	Monitor sheet metal	1
8	H-121-108-000	HLJTC-01-08	L speaker board	1
9	H-121-109-000	HLJTC-01-09	R speaker board	1
10	H-121-110-000	HLJTC-01-10	Monitor upper fixed board	1
11	H-121-111-000	HLJTC-01-11	Monitor down fixed board	1
12	H-121-112-000	HLJTC-01-12	LED frame	1
13	H-121-411-000	HLJTC-01-15	Monitor EVA	12
14	H-121-604-000	HLJTC-01-14	Control panel vacuum form transparent board	1





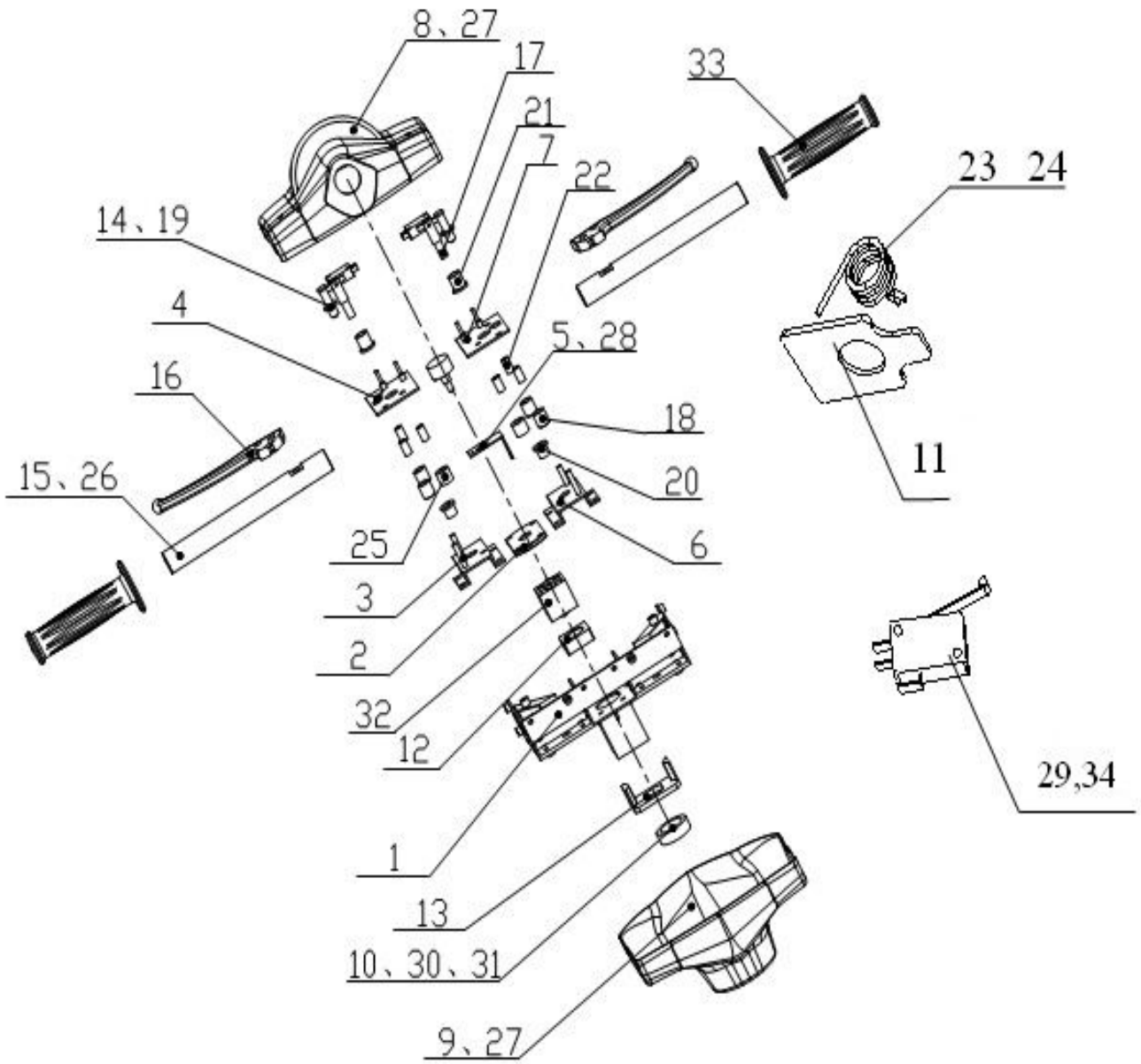
No.	Part No.	Draw No.	Name	Qty
15	H-121-113-000	HLJTC-01-13	Outer coin box	1
16	H-121-114-000	HLJTC-01-16	Box side T-molding	2
17	H-121-115-000	HLJTC-01-17	Wooden box front T-molding	2
18	H-121-116-000	HLJTC-01-18	Wooden box back T-molding	1
19	H-121-117-000	TY-JX-006	Ticket box 234	1
20	H-121-118-000	TY-JX-002	Counter fixed board A	1
21	H-121-119-000	TY-JX-001	Power supply bracket	1

### 8.3 Bike Assembly



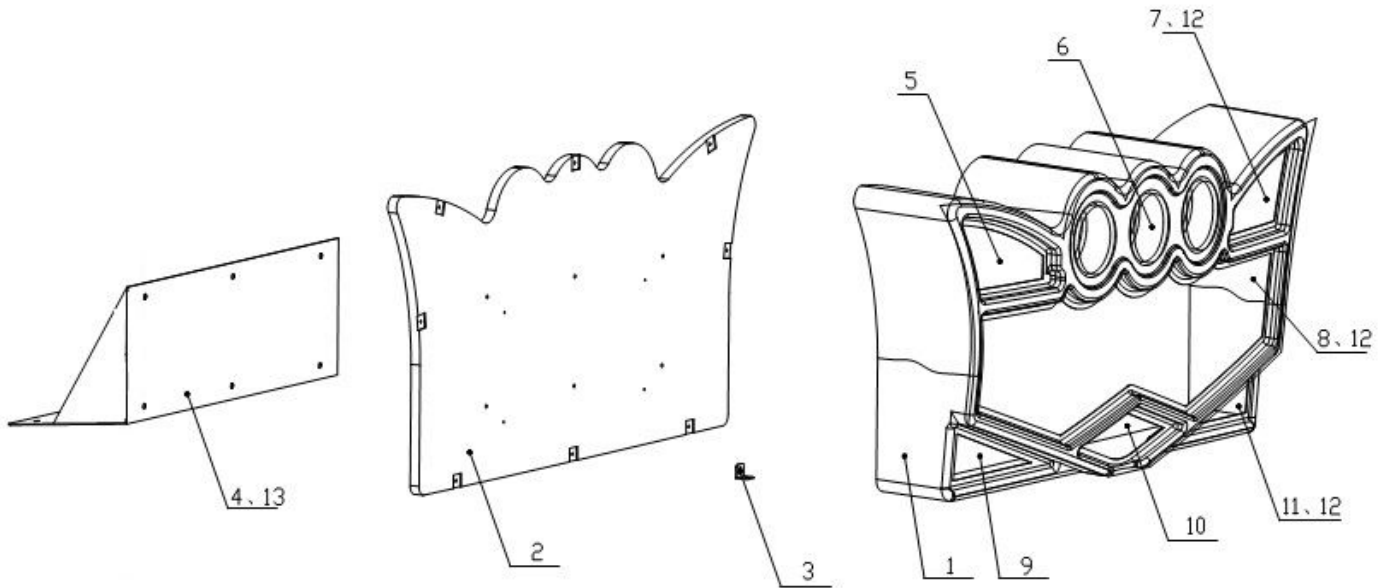
No.	Part No.	Draw No.	Name	Qty
1	H-121-007-000	HLJTC-02-01	Bike body	1
2	H-121-008-000	HLJTC-02-02	Fly wheel mechanism	1
3	H-121-120-000	HLJTC-02-03	Bike bracket	1
4	H-121-121-000	HLJTC-02-04	Rear-wheel light bracket	1
5	H-121-009-000	HLJTC-02-05	Seat cushion	1
6	H-121-605-000	HLJTC-HM-08	Rear-wheel light plate	1
7	H-121-010-000	HLJTC-02-07	Resistance mechanism	2
8	H-121-122-000	HLJTC-02-08	Adjustable push rod	1
9	H-121-123-000	HLJTC-02-09	Adjustable screw	1
10	H-121-302-000	HLJTC-02-10	Adjustable rotation sleeve	2
11	H-121-124-000	HLJTC-02-11	Adjustable rod socket	2
12	H-121-418-000	25100050001	Pedal crank	2
13	H-121-419-000	25100060001	Bike pedal board	2
14	H-121-420-000	25100070001	Pedal crank cover	2
15	H-121-421-000	20102100023	Non-metallic inserted hexagon nuts	9
16	H-121-422-000	20102100022	Non-metallic inserted hexagon nuts	8
17	H-121-423-000	20101100066	Hexagon socket head cap screws	22
18	H-121-424-000	20101020024	Cross recessed pan head screw	12
19	H-121-606-000	HLJTC-02-01-1	L-side bike body	1
20	H-121-607-000	HLJTC-02-01-2	R-side bike body	1

### 8.4 Bike Header



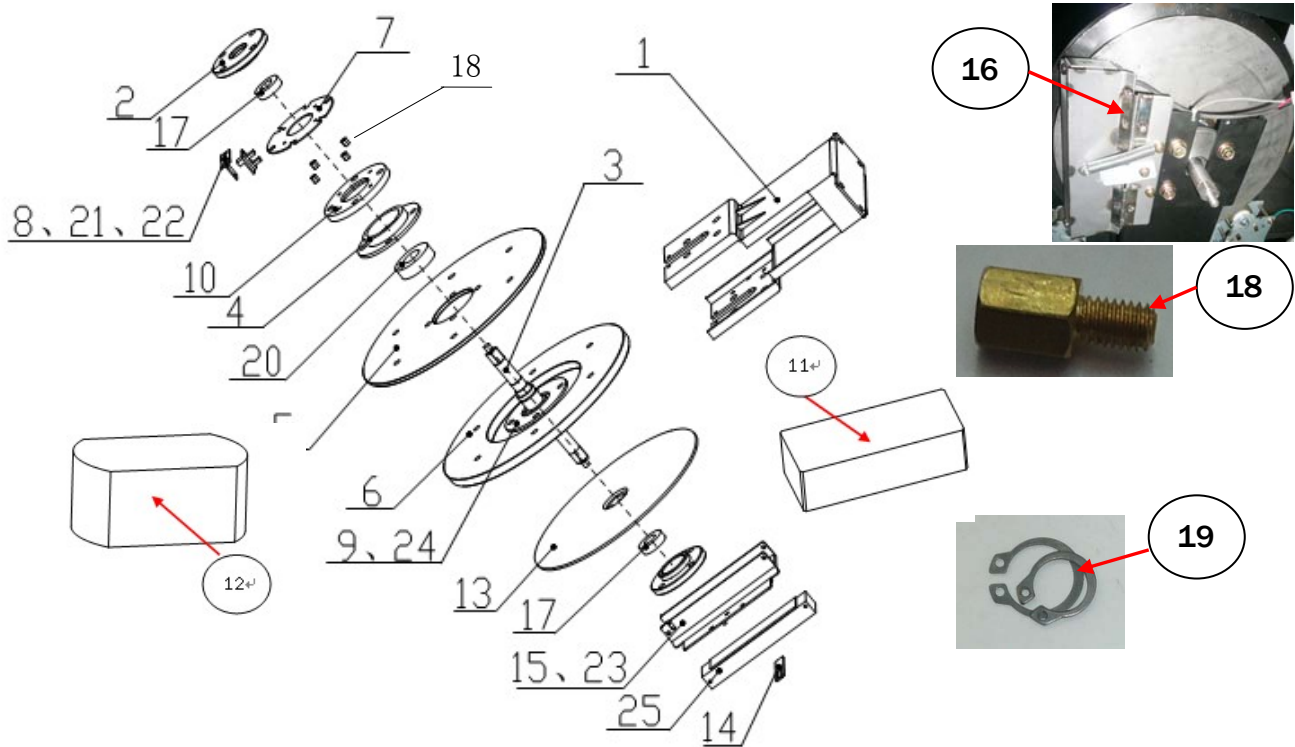
<b>No.</b>	<b>Part No.</b>	<b>Draw No.</b>	<b>Name</b>	<b>Qty</b>
1	H-121-125-000	HLJTC-03-01	Bike head bracket	1
2	H-121-126-000	HLJTC-03-02	Washer	1
3	H-121-127-000	HLJTC-03-03	L-brake upper board	1
4	H-121-128-000	HLJTC-03-04	L-brake down board	1
5	H-121-129-000	HLJTC-03-05	POT support bracket	1
6	H-121-130-000	HLJTC-03-06	R-brake upper board	1
7	H-121-131-000	HLJTC-03-07	R-brake down board	1
8	H-121-608-000	HLJTC-03-08	Bike head upper cover	1
9	H-121-609-000	HLJTC-03-09	Bike head down cover	1
10	H-121-132-000	HLJTC-03-10	Limited seat	1
11	H-121-132-000	HLJTC-03-11	Hand brake blocking plate	1
12	H-121-133-000	HLJTC-03-12	Spring seat down sleeve	1
13	H-121-134-000	HLJTC-03-13	Steering limited assembly	1
14	H-121-135-000	CJMTC-06-11	Brake handle pillar	2
15	H-121-135-000	CJMTC -06-13	L-handle bearing	2
16	H-121-136-000	CJMTC -06-14	Brake lever	2
17	H-121-137-000	CJMTC -06-15	Brake handle rotate pillar	2
18	H-121-610-000	CJMTC -06-17	Brake reset limited plastic	4
19	H-121-138-000	CJMTC -06-18	Brake handle pillar washer	2
20	H-121-139-000	CJMTC -06-19	Brake handle bearing down	2
21	H-121-140-000	CJMTC -06-20	Brake handle bearing upper	2
22	H-121-141-000	CJMTC -06-24	Brake limited Cu sleeve	6
23	H-121-142-000	CJMTC -06-27	L-brake reset spring	1
24	H-121-143-000	CJMTC -06-28	R-brake reset spring	1
25	H-121-611-000	CJMTC -06-31	Brake limited plastic pillar	2
26	H-121-425-000	20101020174	Cross recessed pan head	2
27	H-121-426-000	20101100066	Inner hexagon flat round head	8
28	H-121-427-000	20101003001	Inner hexagon flat head	1
29	H-121-428-000	20102100034	Non-metallic inserted hexagon	4
30	H-121-429-000	20102100022	Non-metallic inserted hexagon	8
31	H-121-430-000	20101020036	Cross recessed pan head	6
32	H-121-431-000	25100040001	Shock eliminator	1
33	H-121-432-000	25102000035	Bike handle	2
34	H-121-483-000	22604000007	Micro SW	2

## 8.5 Marquee Assembly.



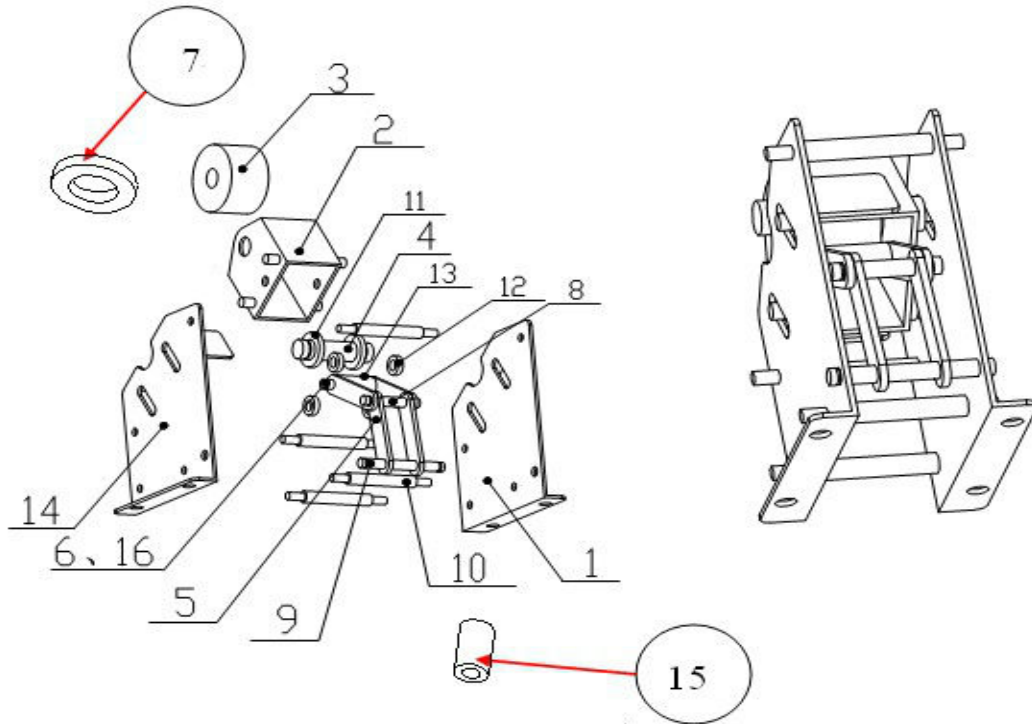
No.	Part No.	Draw No.	Name	Qty
1	H-121-612-000	HLJTC-05-01	Marquee vacuum form	1
2	H-121-502-000	HLJTC-05-03(M)	Marquee board	1
3	H-121-144-000	HLJTC-05-03	Marquee vacuum form fixed assembly	8
4	H-121-145-000	HLJTC-05-04	Marquee board fixed assembly	1
5	H-121-613-000	HLJTC-05-05	Marquee PVC plate 1	1
6	H-121-614-000	HLJTC-05-06	Marquee PVC plate 2	1
7	H-121-615-000	HLJTC-05-07	Marquee PVC plate 3	1
8	H-121-616-000	HLJTC-05-08	Marquee PVC plate 4	1
9	H-121-617-000	HLJTC-05-09	Marquee PVC plate 5	1
10	H-121-618-000	HLJTC-05-10	Marquee PVC plate 6	1
11	H-121-619-000	HLJTC-05-11	Marquee PVC plate 7	1
12	H-121-433-000	20101100098	Hexagon socket set screws with flat point	32
13	H-121-434-000	20101020042	Cross recessed pan head screw	12

## 8.6 Fly Wheel Assembly



No.	Part No.	Draw No.	Name	Qty
1	H-121-146-000	HLJTC-02-02-1	Fly wheel bracket	1
2	H-121-147-000	HLJTC-02-02-23	Bearing base	2
3	H-121-148-000	HLJTC-02-02-3	Fly wheel bearing	1
4	H-121-149-000	HLJTC-02-02-4	Drive sleeve	1
5	H-121-150-000	HLJTC-02-02-5	Fly wheel plate	1
6	H-121-151-000	HLJTC-02-02-6	Weight block	1
7	H-121-152-000	HLJTC-02-02-7	Infrared blocking plate	1
8	H-121-153-000	HLJTC-02-02-8	Infrared fixed bracket	1
9	H-121-154-000	HLJTC-02-02-9	Drive sleeve blocking circle	1
10	H-121-155-000	HLJTC-02-02-10	Drive sleeve pressure circle	1
11	H-121-156-000	HLJTC-02-02-11	Key 1	1
12	H-121-157-000	HLJTC-02-02-12	Key 2	1
13	H-121-158-000	HLJTC-02-02-13	Lock plate	1
14	H-121-159-000	HLJTC-02-02-14	Electromagnetism lock limit	1
15	H-121-160-000	HLJTC-02-02-15	Electromagnetism lock fixed	1
16	H-121-161-000	HLJTC-02-27-8	spring	1
17	H-121-436-000	20106000081	Ball bearing	2
18	H-121-437-000	20108010001	Hexagon welding	4
19	H-121-438-000	20105000197	A type circlip for bearing	1
20	H-121-439-000	20106150001	Single-track bearing	1
21	H-121-440-000	20101020035	Cross recessed pan head screw	3
22	H-121-441-000	20101000172	Cross recessed pan head screw	6
23	H-121-442-000	20101020045	Cross recessed pan head screw	3
24	H-121-443-000	20101020005	Cross recessed pan head screw	18
25	H-121-444-000	25300000021	Electromagnetism lock	1

## 8.7 Resistance Adjustment Assembly



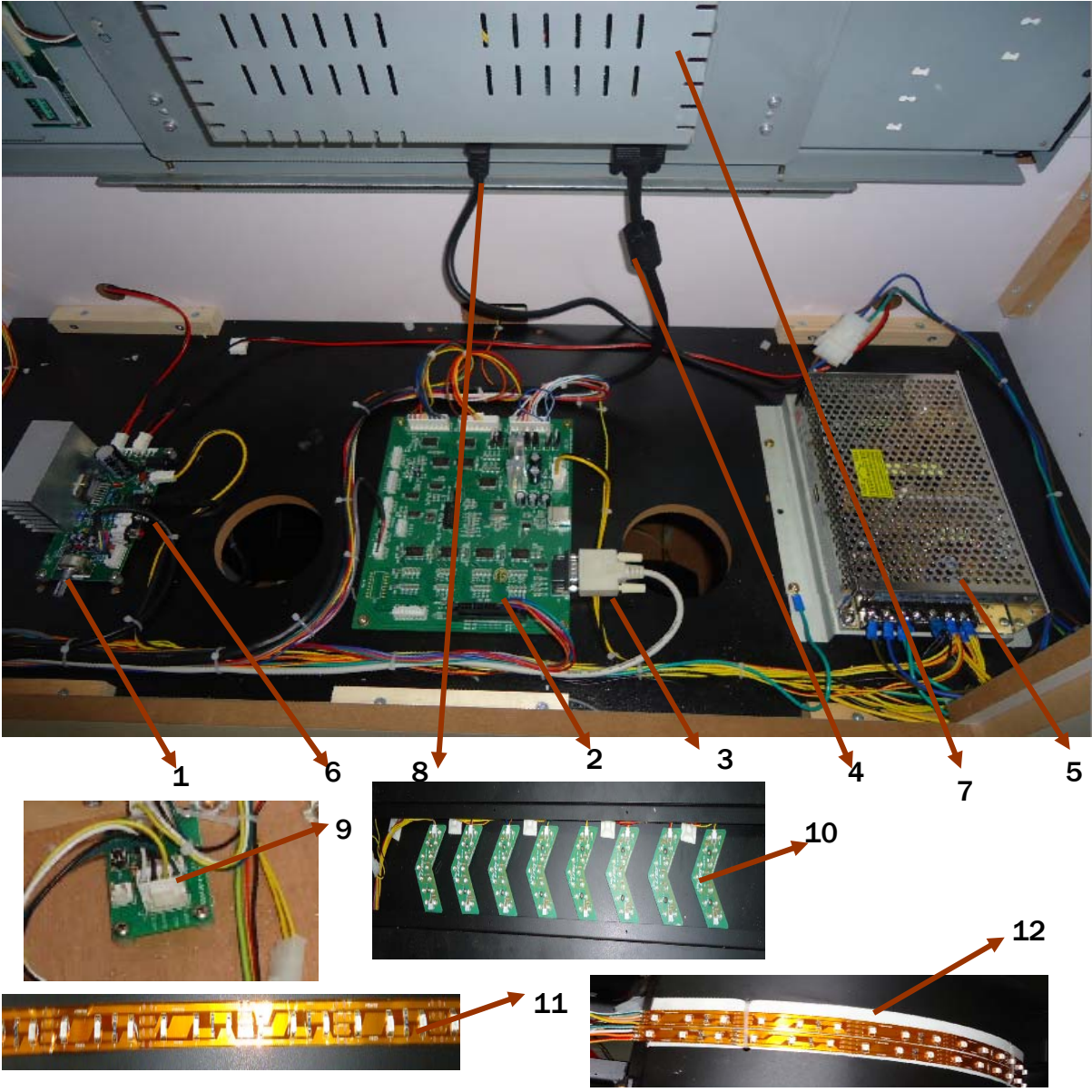
No.	Part No.	Draw No.	Name	Qty
1	H-121-162-000	HLJTC-02-07-1	L support board	1
2	H-121-163-000	HLJTC-02-07-2	Plastic wheel bracket	1
3	H-121-619-000	HLJTC-02-07-3	Plastic wheel	1
4	H-121-164-000	HLJTC-02-07-4	Plastic bearing	1
5	H-121-165-000	HLJTC-02-07-5	Connecting rod	4
6	H-121-166-000	HLJTC-02-07-6	Connecting rod upper bearing	2
7	H-121-303-000	HLJTC-02-07-7	Plastic wheel bearing sleeve	1
8	H-121-167-000	HLJTC-02-07-8	Spring	1
9	H-121-168-000	HLJTC-02-07-9	Connecting rod down bearing	1
10	H-121-169-000	HLJTC-02-07-10	Limited rod	4
11	H-121-304-000	HLJTC-02-07-11	Plastic wheel washer	1
12	H-121-305-000	HLJTC-02-07-12	Plastic wheel bracket washer	4
13	H-121-306-000	HLJTC-02-07-13	Connecting rod Limited sleeve	1
14	H-121-307-000	HLJTC-02-07-14	R support board	1
15	H-121-308-000	HLJTC-02-07-15	Connecting rod down limited	1
16	H-121-445-000	20105000078	A type circlip for bearing	6

**How to adjust the resistance:**



Turn it down to reduce the resistance. Backwards is to increase the resistance.

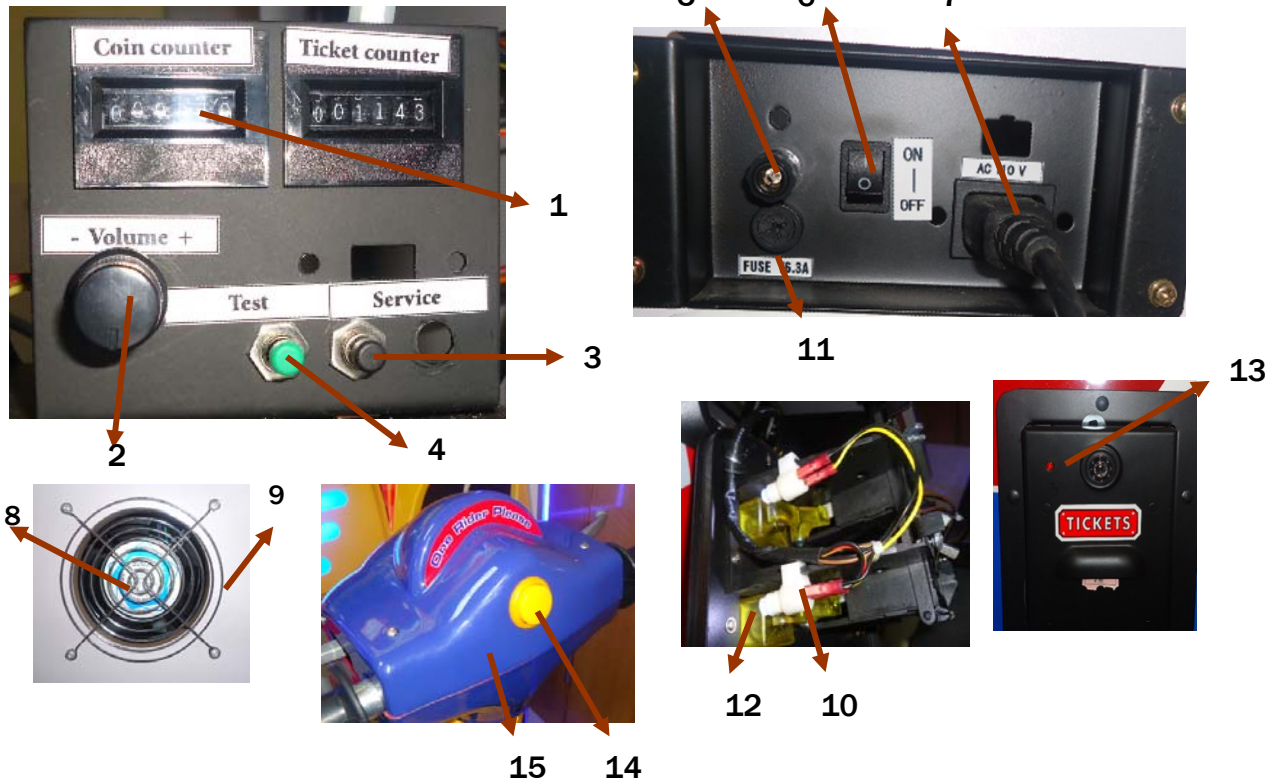
**8.8 Electrical Parts 1**



No.	Part No.	Draw No.	Name	Qty
1	H-121-801-000	22803000031	2.0 track amplifier	1
2	H-121-802-000	21701000006	Mother board	1
3	H-121-448-000	23303000003	Serial cable	1
4	H-121-449-000	26601070109	VGA-VGA Video Cable	1
5	H-121-803-000	21602000004	SW power box	1
6	H-121-453-000	23305000005	Stereo audio line	1
7	H-121-467-000	21201032004	32" LCD	1
8	H-121-473-000	23301050002	Power cord	1
9	H-121-450-000	21712000001	Ticket dispenser	1
10	H-121-804-000	29741108002	Light board	1
11	H-121-451-000	22002013004	LED flexible Rope Light	6.2
12	H-121-452-000	22002013005	LED flexible Rope Light	0.5

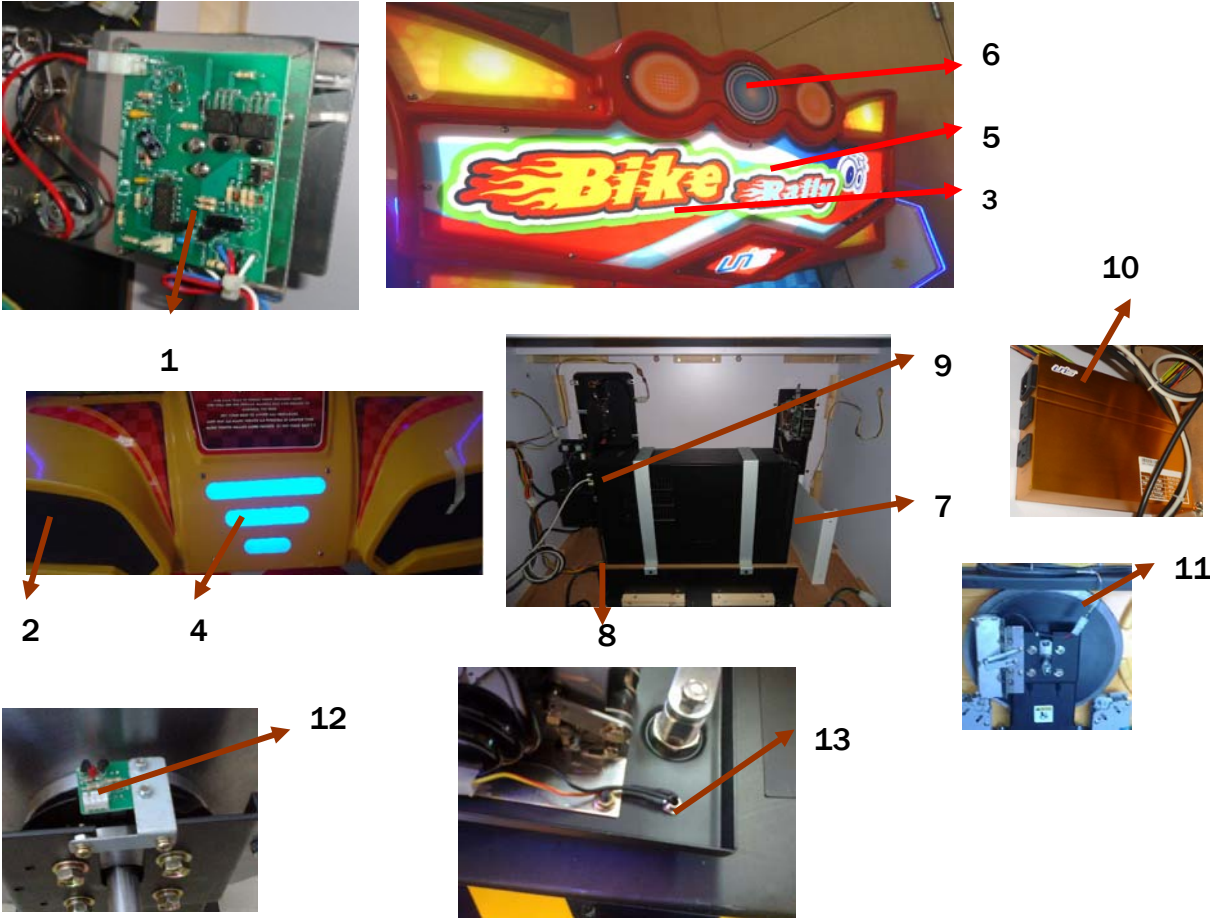


## 8.9 Electrical Parts 2



No.	Part No.	Draw No.	Name	Qty
1	H-121-454-000	23000000005	Counter	2
2	H-121-805-000	21709000002	POT connecting board	1
	H-121-455-000	22501000006	POT	1
	H-121-456-000	22403000001	POT knob	1
3	H-121-457-000	22402030002	Button	1
4	H-121-458-000	22402010002	Button	1
5	H-121-459-000	21412000001	Terminal	1
6	H-121-460-000	22601000005	Small rocker SW	1
7	H-121-461-000	23200000001	Filter	1
8	H-121-462-000	22702000020	Cable exhaust fan	1
9	H-121-463-000	22702000010	Exhaust fan net	2
10	H-121-464-000	22201000042	Insert door light bracket	1
11	H-121-471-000	21901000015	Fuse	1
12	H-121-472-000	22003000006	LED bulb	1
13	H-121-478-000	22003000075	Red light bracket	1
14	H-121-480-000	22401020005	30 type cassette button	1
15	H-121-481-000	22501000029	5K POT	1

8.10 Electrical Parts 3

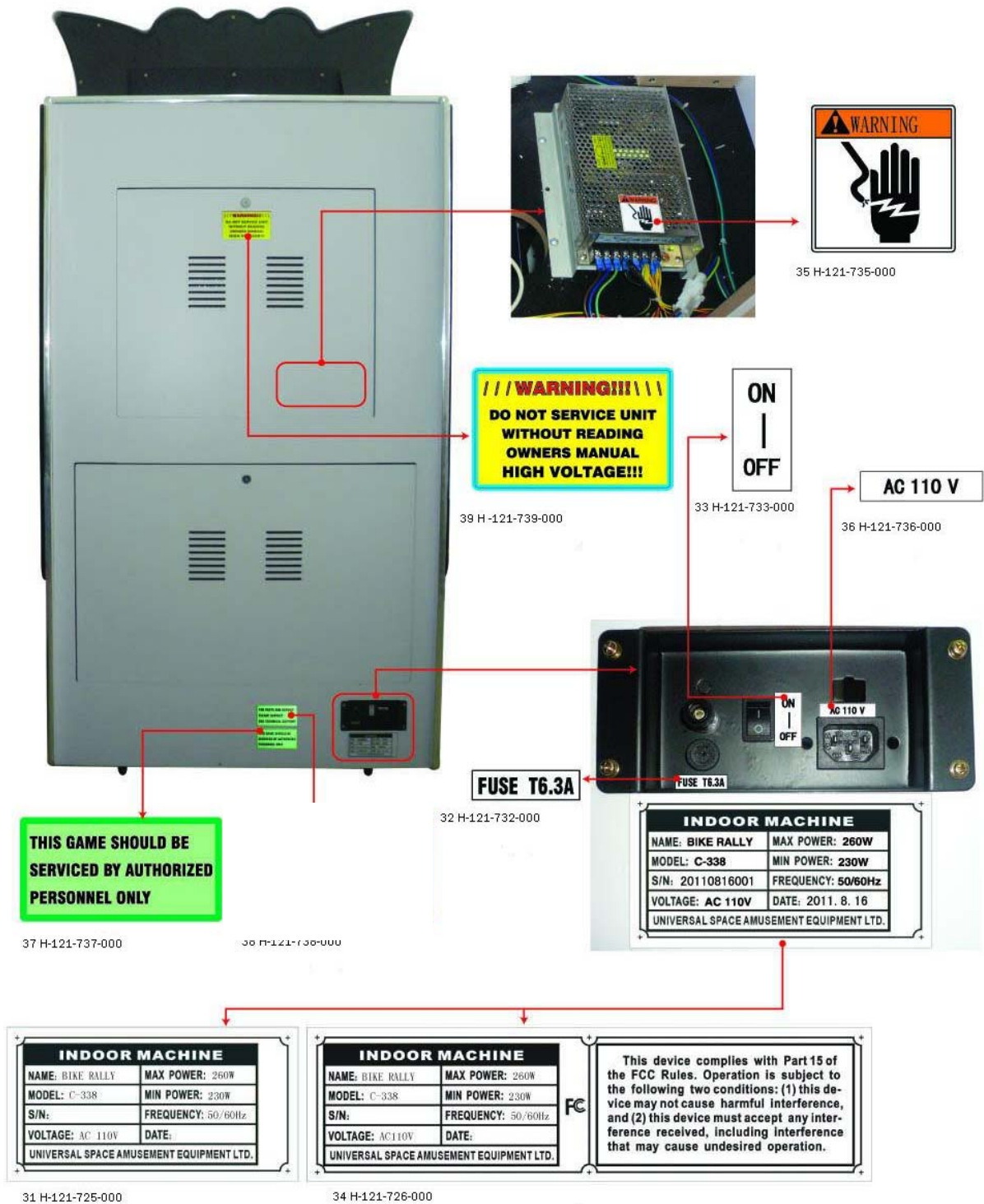


No.	Part No.	Draw No.	Name	Qty
1	H-121-465-000	23100000005	Ticket dispenser	1
2	H-121-466-000	22801000005	Speaker	2
3	H-121-469-000	22006000054	T5-8W energy tube(UL)	2
	H-121-470-000	22006000056	T5-13W energy tube	2
4	H-121-806-000	29741110001	LED light board	2
	H-121-807-000	29741110002	LED light board	1
5	H-121-475-000	23301000052	Socket	3
6	H-121-808-000	29740930002	PCB board	3
7	H-121-468-000	21101000007	Dell PC	1
8	H-121-474-000	23301000001	Power cord	1
9	H-121-476-000	21107020036	Dongle	1
	H-121-477-000	41300000003	USB flash disk	1
10	H-121-809-000	21603000037	UPS power	1
11	H-121-479-000	50400000003	Diode	1
12	H-121-810-000	21705000016	Infrared board	1
13	H-121-482-000	50900021044	Carbon resister	1

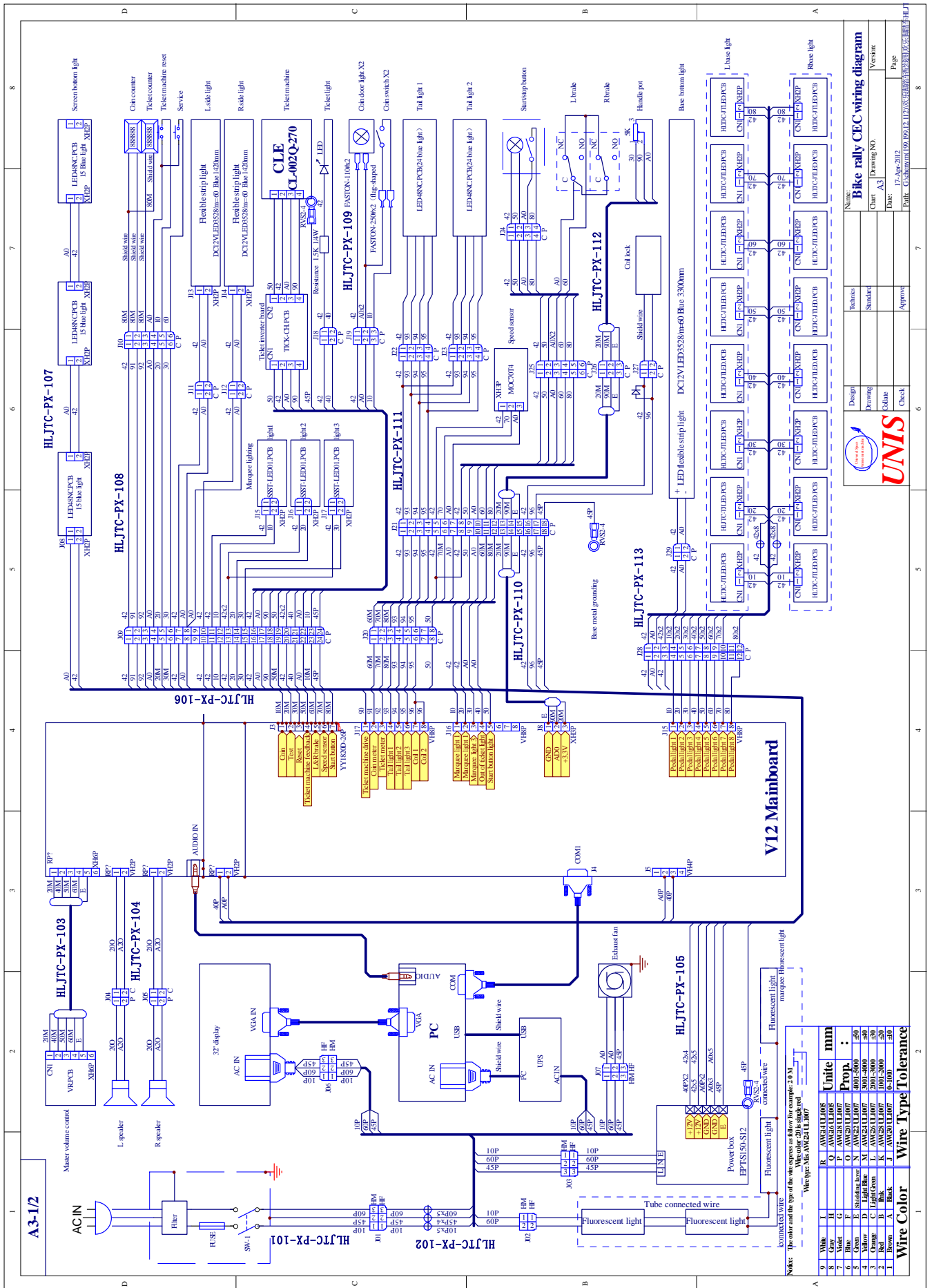
### 8.11 Game Decals



<b>No.</b>	<b>Part No.</b>	<b>Draw No.</b>	<b>Name</b>	<b>Qty</b>
1	H-121-701-000	HLJTC-HM-01	Marquee round light decal	1
2	H-121-702-000	HLJTC-HM-02	Marquee name decal	1
3	H-121-703-000	HLJTC-HM-03	Marquee brand decal	1
4	H-121-704-000	HLJTC-HM-04	Marquee upper left decal	1
5	H-121-705-000	HLJTC-HM-05	Marquee upper right decal	1
6	H-121-706-000	HLJTC-HM-06	Marquee left down decal	1
7	H-121-707-000	HLJTC-HM-07	Marquee right down decal	1
8	H-121-708-000	HLJTC-HM-08	Rear-wheel decal	1
9	H-121-709-000	HLJTC-HM-09	Cabinet L-side upper decal	1
10	H-121-710-000	HLJTC-HM-10	Cabinet L-side down decal	1
11	H-121-711-000	HLJTC-HM-11	Cabinet R-side upper decal	1
12	H-121-712-000	HLJTC-HM-12	Cabinet R-side down decal	1
13	H-121-713-000	HLJTC-HM-13	Bike body L-side label	1
14	H-121-714-000	HLJTC-HM-14	Bike body R-side label	1
15	H-121-715-000	HLJTC-HM-15	Base L-side decal	1
16	H-121-716-000	HLJTC-HM-16	Base R-side decal	1
17	H-121-717-000	HLJTC-HM-17	Base back decal	1
18	H-121-718-000	HLJTC-HM-18	Monitor sheet metal label	1
19	H-121-719-000	HLJTC-HM-19	Front door decal	1
20	H-121-720-000	HLJTC-HM-20	How to play	1
21	H-121-721-000	HLJTC-HM-21	Vacuum form L-side label	1
22	H-121-722-000	HLJTC-HM-22	Vacuum form R-side label	1
23	H-121-723-000	HLJTC-HM-23	Bike head decal	1
24	H-121-724-000	HLJTC-HM-24	Start button	1
25	H-121-730-000	TY-HM-05	Testing label	1
26	H-121-731-000	TY-HM-09	Service button	1
27	H-121-727-000	TY-HM-01	Coin counter	1
28	H-121-728-000	TY-HM-02	Ticket out counter	1
29	H-121-729-000	TY-HM-03	Volume label	1
30	H-121-734-000	TY-HM-34	Ticket out counter	1



No.	Part No.	Draw No.	Name	Qty
31	H-121-725-000	HLJTC-HM-25	110V nameplate	1
32	H-121-732-000	TY-HM-13	Fuse T6.3A	1
33	H-121-733-000	TY-HM-16	Power SW label A	1
34	H-121-726-000	HLJTC-HM-26	FCC certificate nameplate	1
35	H-121-735-000	TY-HM-36	High voltage warning (Small)	1
36	H-121-736-000	TY-HM-40	Label 110V	1
37	H-121-737-000	TY-HM-42	Maintenance information	1
39	H-121-739-000	TY-HM-67	Maintenance notice label	1



Note: The color and the type of the wire express as follow for example: 2.0 M Wire type: AWG24 UL1007

Wire Color	Wire Type	Tolerance
9	White	1
8	Black	1
7	Yellow	1
6	Blue	1
5	Green	1
4	Orange	1
3	Red	1
2	Brown	1
1	Black	1

Wire Type	Tolerance
R	AWG24 UL1008
Q	AWG24 UL1007
O	AWG20 UL1007
N	AWG22 UL1007
M	AWG24 UL1007
L	AWG24 UL1007
K	AWG24 UL1007
J	AWG24 UL1007
I	AWG24 UL1007
H	AWG24 UL1007
G	AWG24 UL1007
F	AWG24 UL1007
E	AWG24 UL1007
D	AWG24 UL1007
C	AWG24 UL1007
B	AWG24 UL1007
A	AWG24 UL1007

Name: **Bike rally CEC wiring diagram**

Chart: **A.3** Drawing NO.:

Date: **17-Apr-2012** Page:

Rev: **0.0** Rev. NO.:

Author: **UNIS**

Design: **UNIS**

Drawing: **UNIS**

Check: **UNIS**

Approval: **UNIS**

Standard: **UNIS**

Page: **8**