



## IMPORTANT



Be Sure  
to Read this  
Manual  
Before Use

**UIS**<sup>®</sup>  
UNIVERSAL SPACE

[www.universal-space.com](http://www.universal-space.com)

# Operation Manual

# WE ARE HERE TO ASSIST For parts and service



**Have Questions? Contact us!**

**UNIS SERVICE CENTER**

Tel: 972-241-4263

Email: [service@unispartsandservice.com](mailto:service@unispartsandservice.com)

When contacting Service, you will need the following information and the name of your authorized distributor.

Suitable for Indoor Use Only	
NAME: World Soccer D&B	MAX POWER: 580W
MODEL: C-545	MIN POWER: 330W
VOLTAGE: AC 110V ~	FREQUENCY: 50/60Hz
S/N:	DATE:
Guangdong UNIS Technology Co.,Ltd.	



# CONTENT

IMPORTANT SAFETY INSTRUCTIONS.....	3
1. SPECIFICATIONS.....	5
2. CONTENTS OF THE ACCESSORY KIT.....	7
3. PART NAME.....	8
4. SET UP & INSTALLATION.....	9
5. HOW TO PLAY.....	18
6. GAME OPTION.....	20
7. TROUBLE SHOOTINGS.....	23
8. MAINTENANCE & INSPECTION.....	26
9. OVERALL CONSTRUCTION.....	30
10.WIRING DIAGRAM.....	49

Thank you for purchasing **World Soccer**. We hope you enjoy the product.

This manual contains valuable information about how to operate and maintain your game machine properly and safely. It is intended for the owner and/or personnel in charge of product operation. Carefully read and understand the instructions.

If you need any help during installation and setup please utilize this manual and troubleshooting guide. If the product fails to function properly, *non-technical personnel should under no circumstance attempt to service the machine*. Contact your distributor or manufacturer for help.

Before use, please read **IMPORTANT SAFETY INSTRUCTIONS**.

## IMPORTANT SAFETY INSTRUCTIONS

**To ensure the safe usage of this product, carefully read and understand these instructions before operating your game.**

**Save these instructions for future reference.**

Use this product only as described in this manual. Other uses not recommended may cause fire, electric shock or personal injury. Unplug the game from the outlet when not in use, when moving from one location to another, and before cleaning/servicing.

Explanations which require special attention are indicated by signs of warning. Depending on the potential hazardous degree, the terms: **NOTE**, **NOTICE**, and **WARNING** are used.

**NOTE:** A NOTE indicates useful hints or information about product usage.

**NOTICE:** A NOTICE indicates potential damage to product and how to avoid the problem.

**WARNING:** A WARNING indicates a potential for product damage or serious personal injury.

It is important to understand the meaning of the following HAZARD SIGNS before continuing:

### High Voltage and Shock Hazard:

High voltage can cause electric shock.  
Turn off/unplug power before servicing.



### High Temperature Hazard:

This part may cause scalding.  
Do not touch. Surface may be hot.



### No Touching Hazard:

This part may be hot or can cause electric shock.  
Do not touch.



Use the following safety guidelines to help ensure your own personal safety and to help protect your equipment and surrounding environment from potential damage.

**⚠️ This product is an indoor game machine. Do not install outdoors.**

Avoid installing in the following places to prevent fire, electric shock, injury and/or machine malfunctioning:

- Places subject to rain/moisture, or places subject to high humidity.
- Places subject to direct sunlight, or places subject to extremely hot or cold temperatures to ensure that it is used within the specified operating range.
- Places where inflammable gas may be present or in the vicinity of highly inflammable/volatile chemicals or items that can easily catch fire.
- On unstable or sloped surfaces. The machine may topple or cause unforeseen accidents.
- Vicinity of fire exits, fire extinguishers etc that may block/prevent safety measures.

**IMPORTANT NOTE:**

**ALL REPAIRS MUST BE DONE TO ORIGINAL MANUFACTURER SPECIFICATIONS. FAILURE TO DO SO VOID ALL WARRANTIES AND OPERATOR ASSUMES ALL RISKS.**

Note: The contents of this manual may be updated without notice.

# 1. SPECIFICATIONS

Rated power supply: AC110V~ 50/60Hz; AC220V-240V~ 50/60Hz

Min. Power consumption: 330W

Max. Power consumption: 580W

Dimension: W74.75×D67.20×H103.42 in


W1898.6×D1706.9×H2626.8 mm

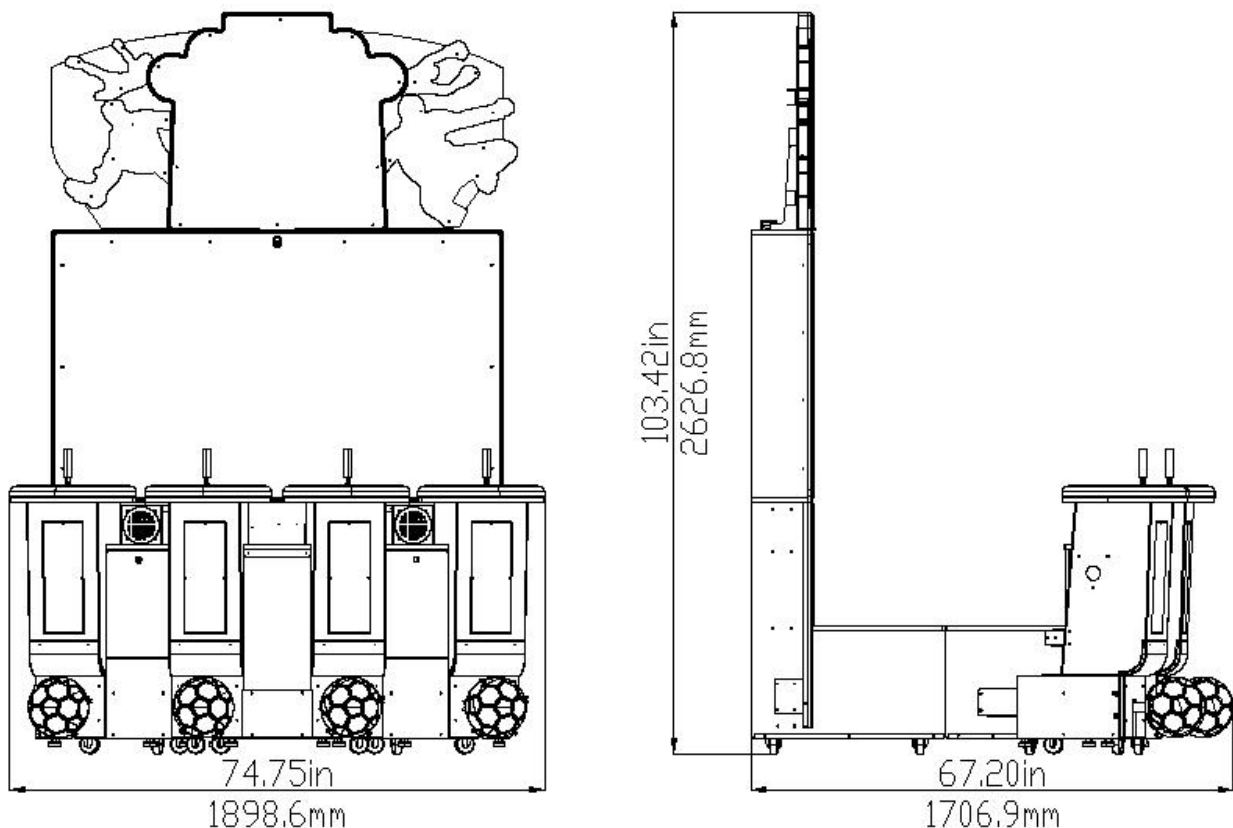
Weight: Approximately 767 lb

Approximately 348 kg

Part No: W119

Model No: C-545

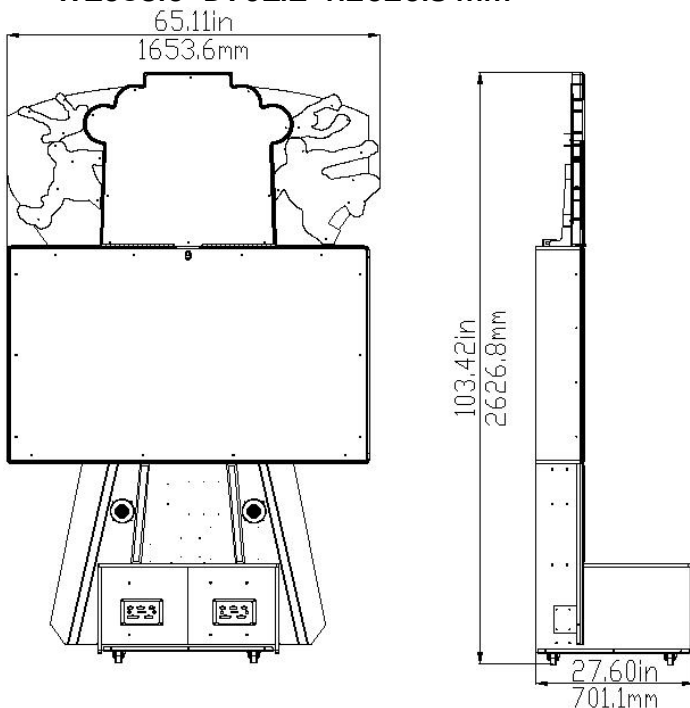
 **NOTICE:** After turning off the game, please wait at least 1 minute before restarting again.



**Note:** Game specifications are subject to change without notice.

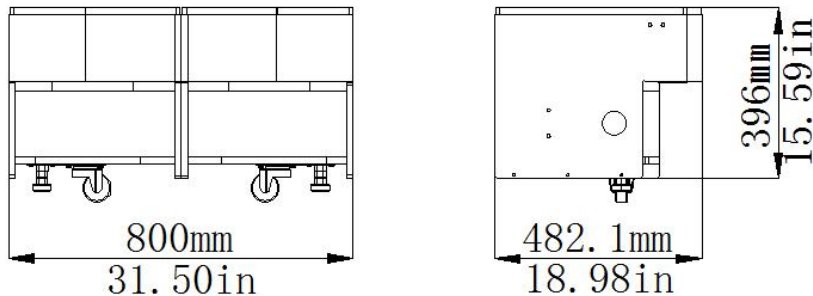
Back Cabinet: W65.11×D27.60×H103.42 in

W1653.6×D701.1×H2626.8 mm



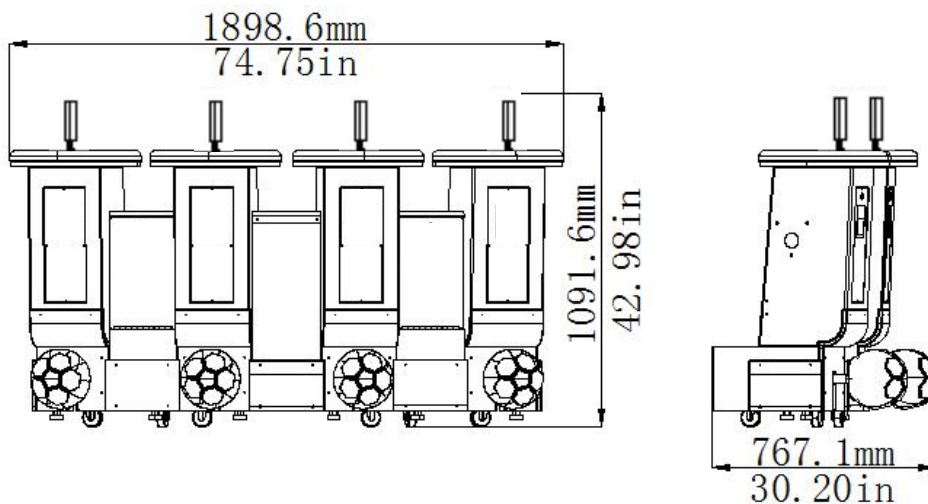
Connective part: W31.50×D18.98×H15.59 in

W800×D482.1×H396 mm



Control panel: W74.75×D30.20×H42.98 in





W1898.6×D767.1×H1091.6 mm



## 2. CONTENTS OF THE ACCESSORY KIT

Open the package and make sure all the items are included:

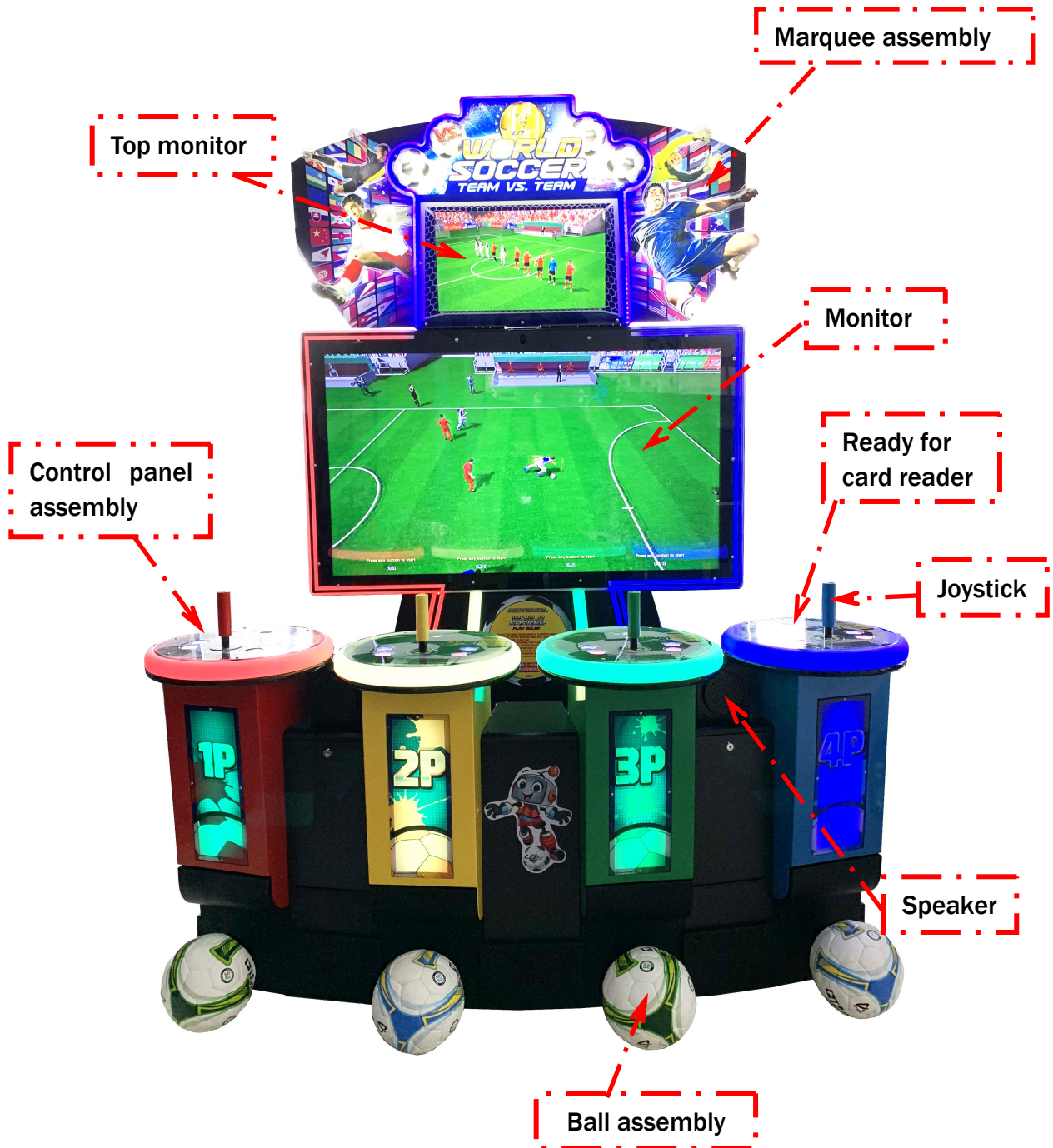
### 1. Following accessories

No.	Part No.	Code	Name	Picture	Qty
1	W119-801-000	25300171002	Key		2
2	W119-411-000	21901000013	Fuse		2
3	W119-803-000	40613160031	Spanner		1
4	W119-804-000	41440000254B	Manual		1
5	W119-805-000	23301010020	Power cord		1



### 3. PART NAME

#### Key Components



## 4. SET UP & INSTALLATION

### ! NOTICE

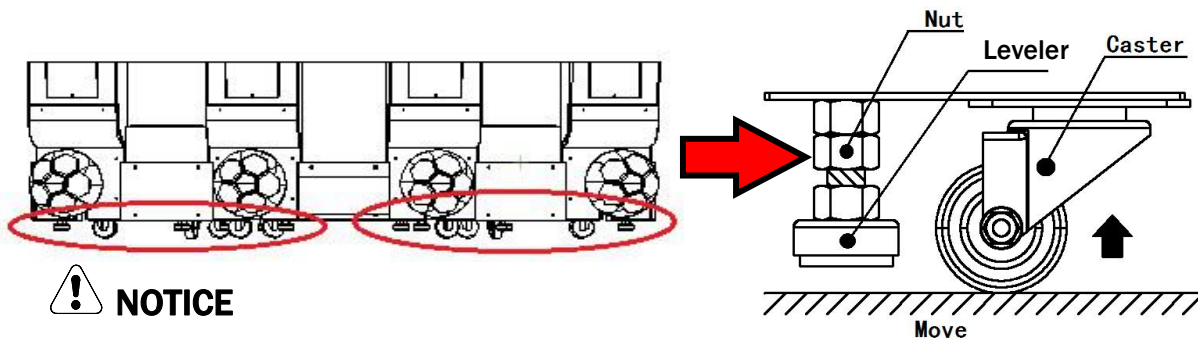
**We do not recommend using power tools as they may cause damage.**

**! This product is an indoor game machine. Do not install outdoors.**

- Refer to IMPORTANT SAFETY INSTRUCTIONS (Pg. 3) for places to avoid.
- Place the unit on a dry level surface.
- Ventilation openings in the back of the unit must not be obstructed by objects or by wall.

### 4.1 Transporting the Game

If you need to move the game, adjust the levelers back to an “up” position.



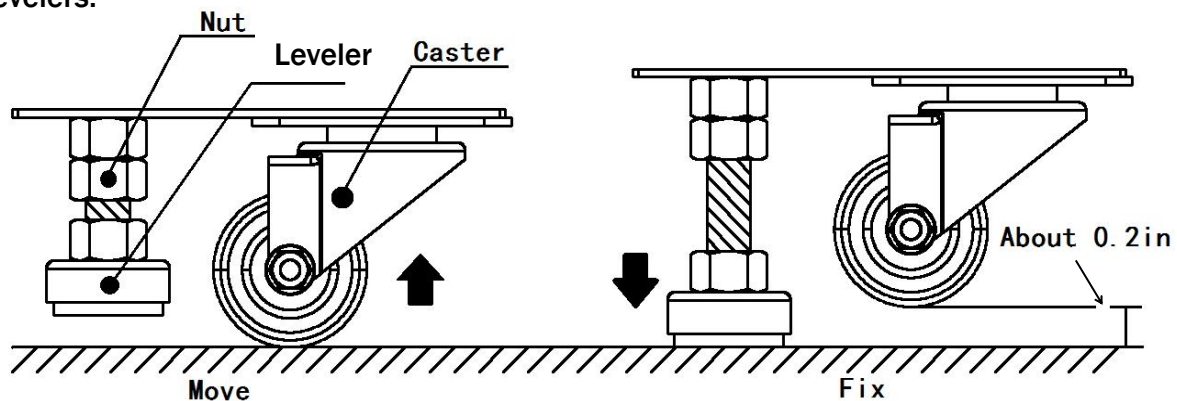
### ! NOTICE

- Be careful not to damage the machine during transport.
- Always unplug the game before moving.
- Keep the machine in upright position during transport.
- For longer distance transport, package the game properly to prevent damages.

### 4.2 Level Adjustment

Install this game on a flat surface. If the game is installed on an unsuitable floor, it could cause game malfunction.

To secure the game, loosen the nut, utilize wrench to adjust the leveler down until it touches the floor, lifting the casters off the ground by 0.2 in. Repeat the same for all levelers.



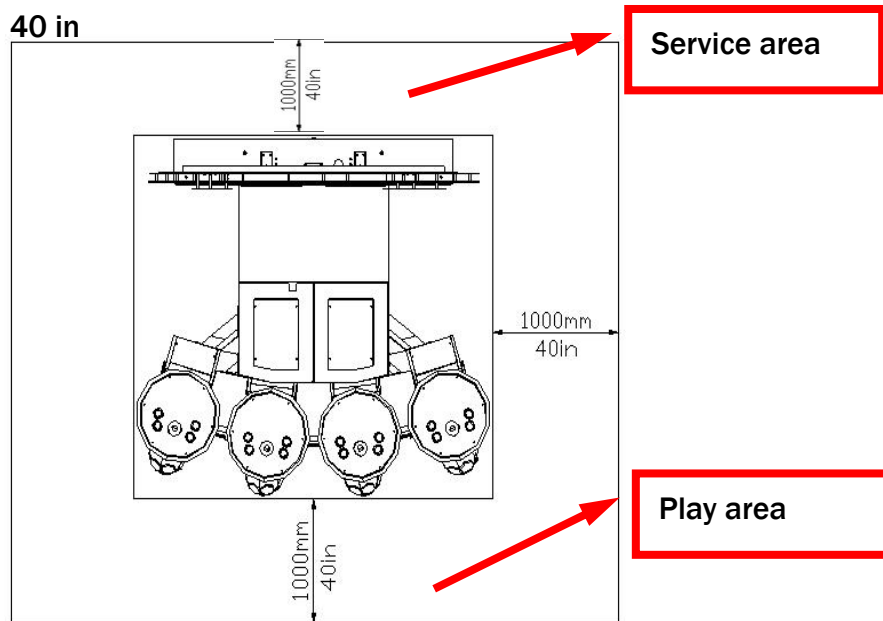
### ! NOTICE

**Make sure the machine is level.**

### 4.3 Play Zone

This machine requires space for playing and for maintenance as shown below. Leave space around the game upon installation:


Service area: 40 in



### 4.4 Remove the Packing Support plate

Please remove the packing support plates before operating the game.

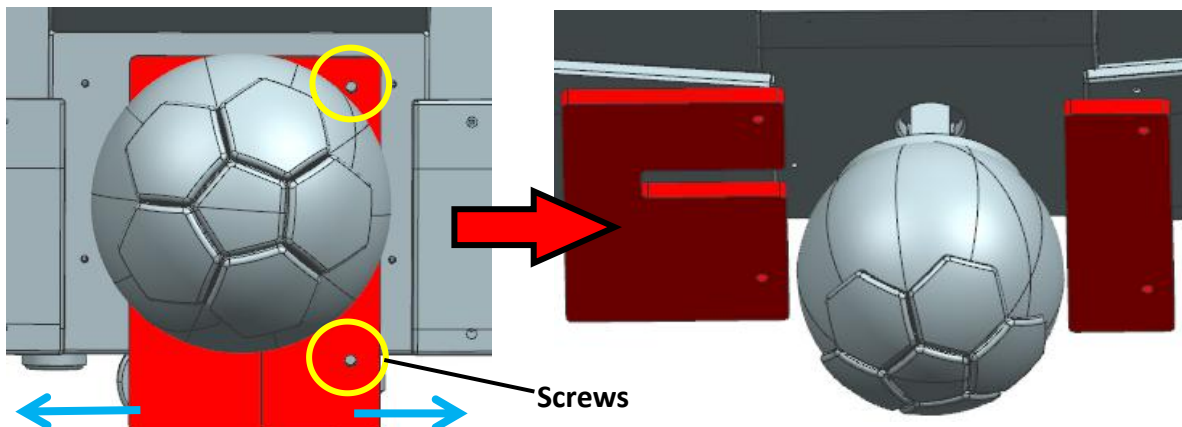
Before processing the following steps, assure you have the following tools:

No.	Name	Picture
1	Phillips screwdriver	

Step 1 Remove the external packing and locate the packing support plate at the bottom.





Step 2 Utilize the Phillips screwdriver to loosen two screws on the packing support plate to take the plates out. Same steps on the other packing support plate.



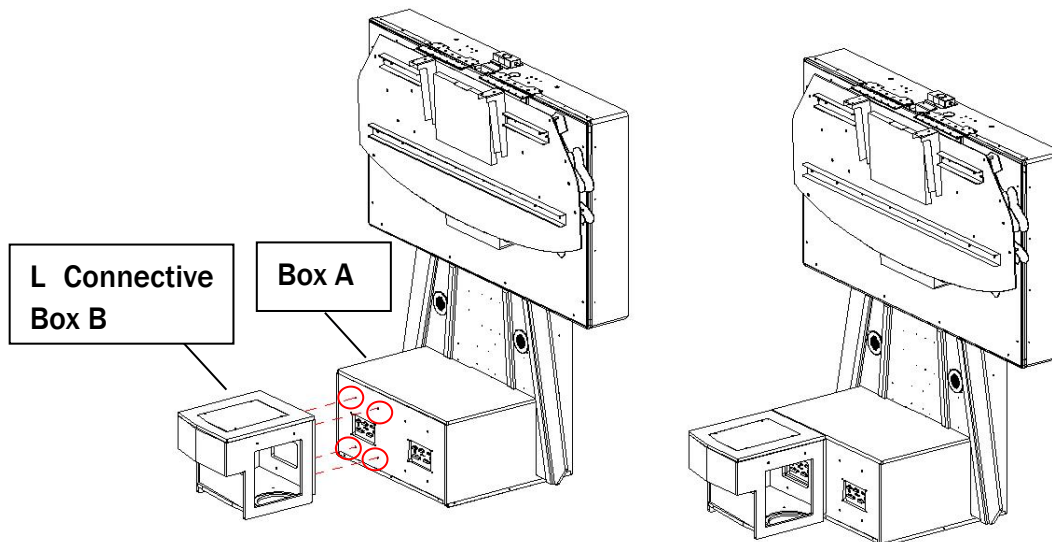
## 4.5 Machine Installation

### 4.5.1 Connective Part

Before processing with assembly assure you have the following tools.

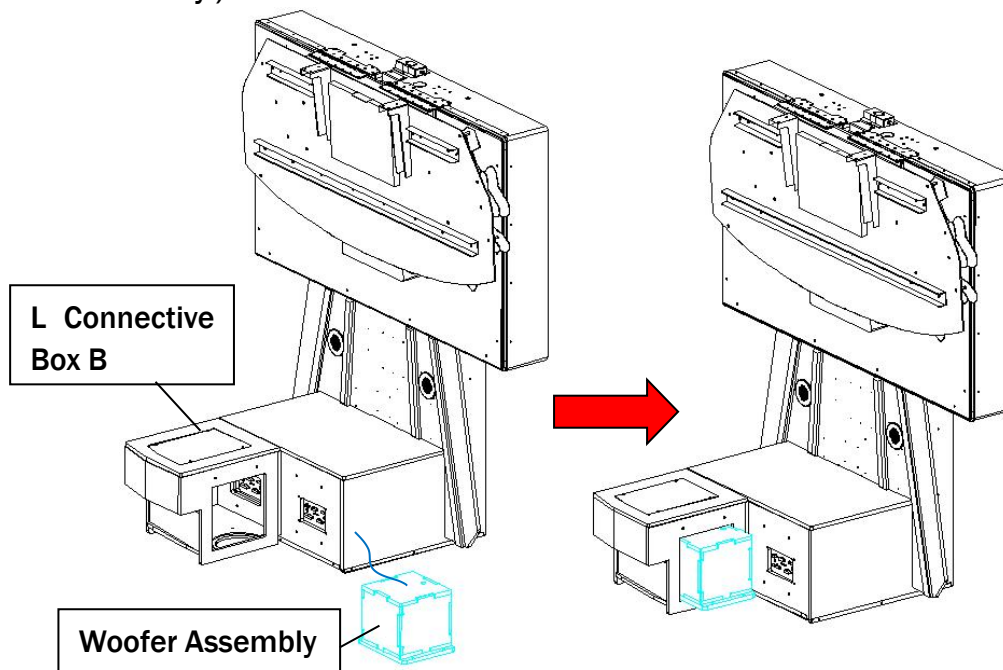
No.	Part No.	Code	Name	Picture	Qty
1	W119-349-000	20104023004	Cross recessed hexagon bolt		14
2	/	/	Phillips screwdriver		1

1) Utilize the Phillips screwdriver to tighten four screws to fix L Connective Box B to Box A.



2) Put the Woofer Assembly into L Connective Box B as shown.

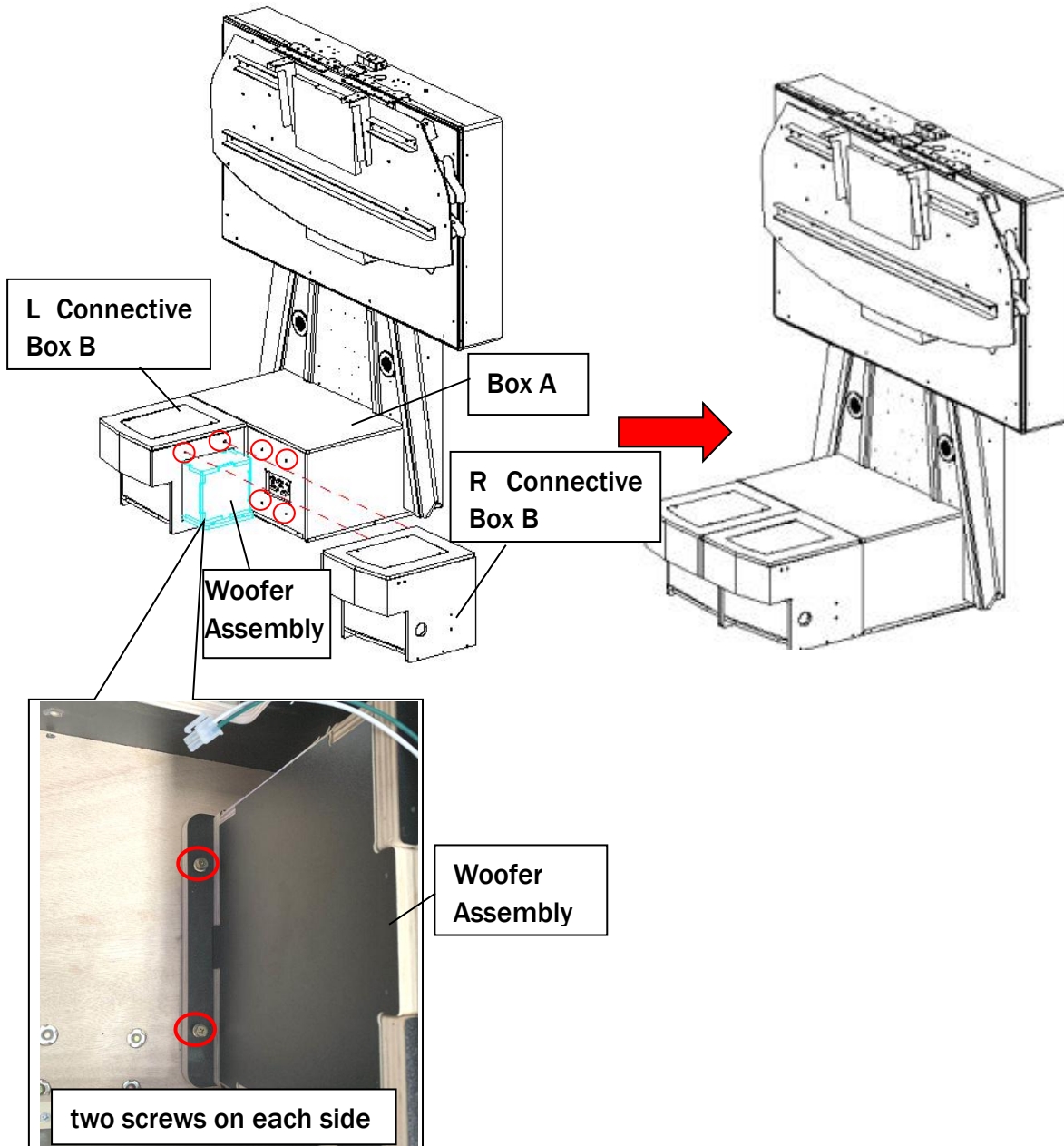
Route the cable to L Connective Box B. (Take caution to prevent pinching the cable of the Woofer Assembly.)



3) Put the R Connective Box B together and utilize the Phillips screwdriver to tighten four screws to fix it to Box A.

Utilize the Phillips screwdriver to tighten two screws to fix the L&R Connective Box B together.

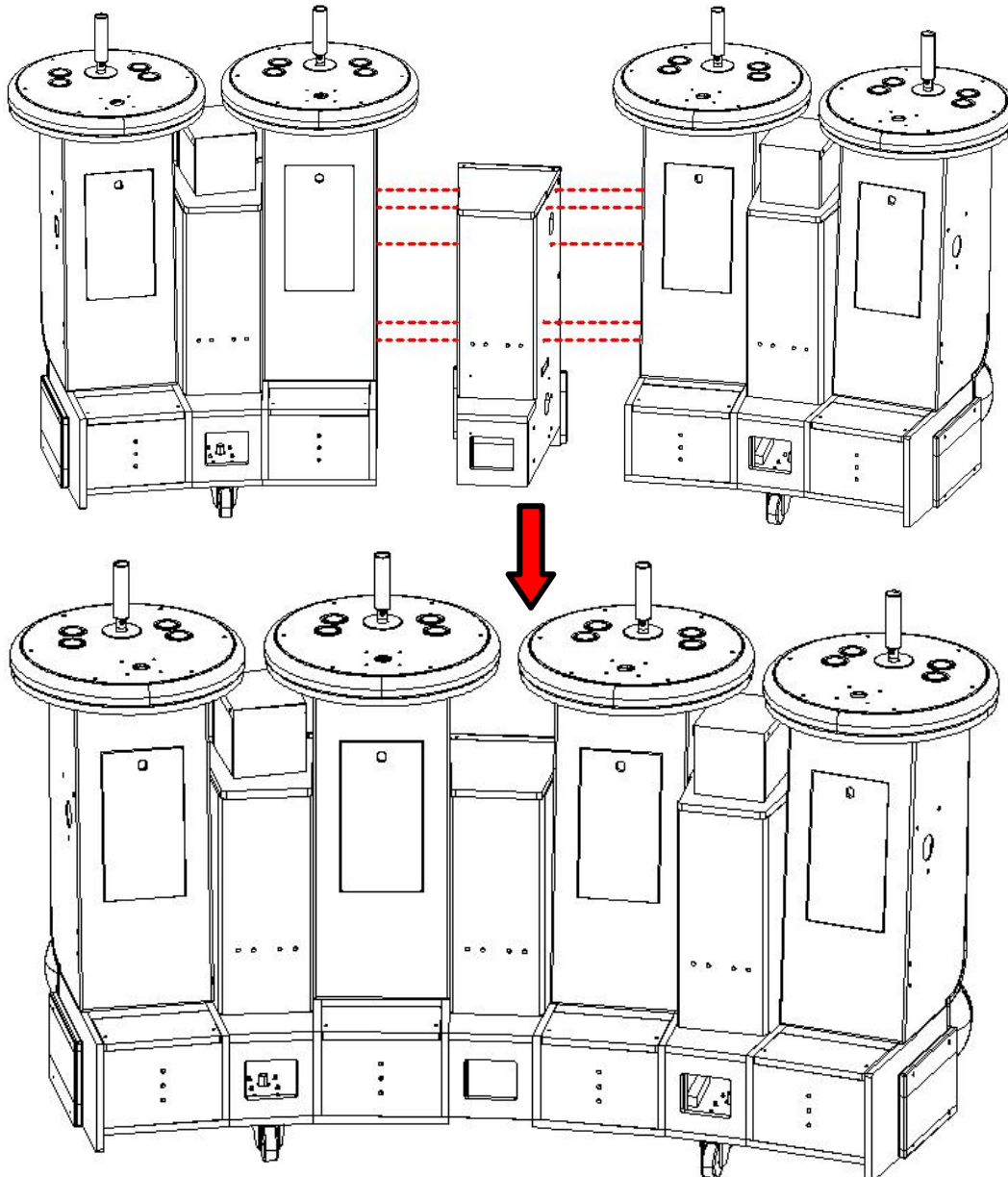
Utilize the Phillips screwdriver to tighten four screws to fix the Woofer Assembly to L&R Connective Box B.



### 4.5.2 Control Panel Assembly

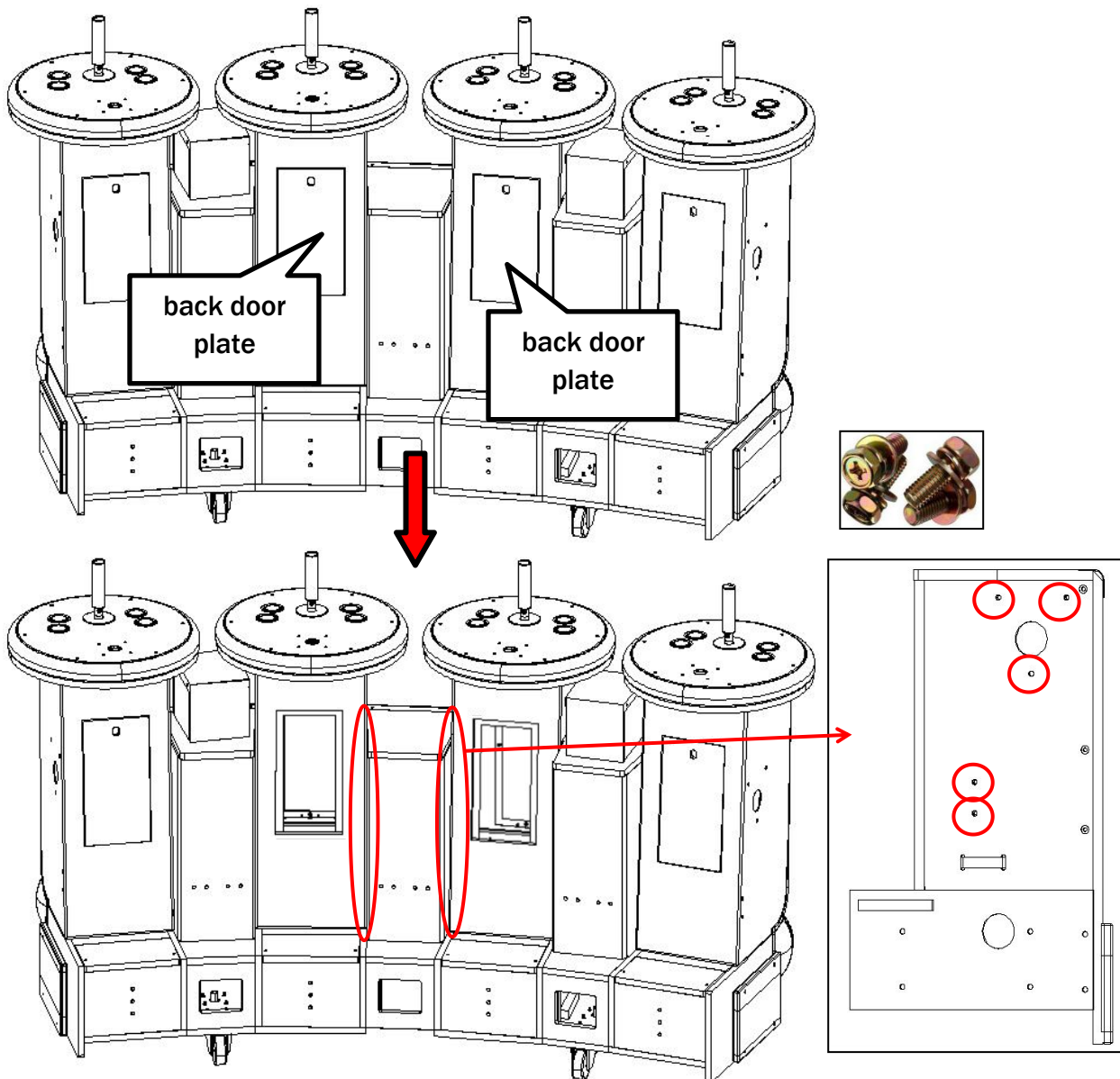
No.	Part No.	Code	Name	Picture	Qty
1	W119-347-000	20104020004	Cross recessed hexagon screw set(M6×25)		10
2	W119-345-000	20104010004	Cross recessed hexagon bolt		16
3	/	/	Phillips screwdriver		1

1) Align the three sub-assemblies of the Control Panel as shown below.



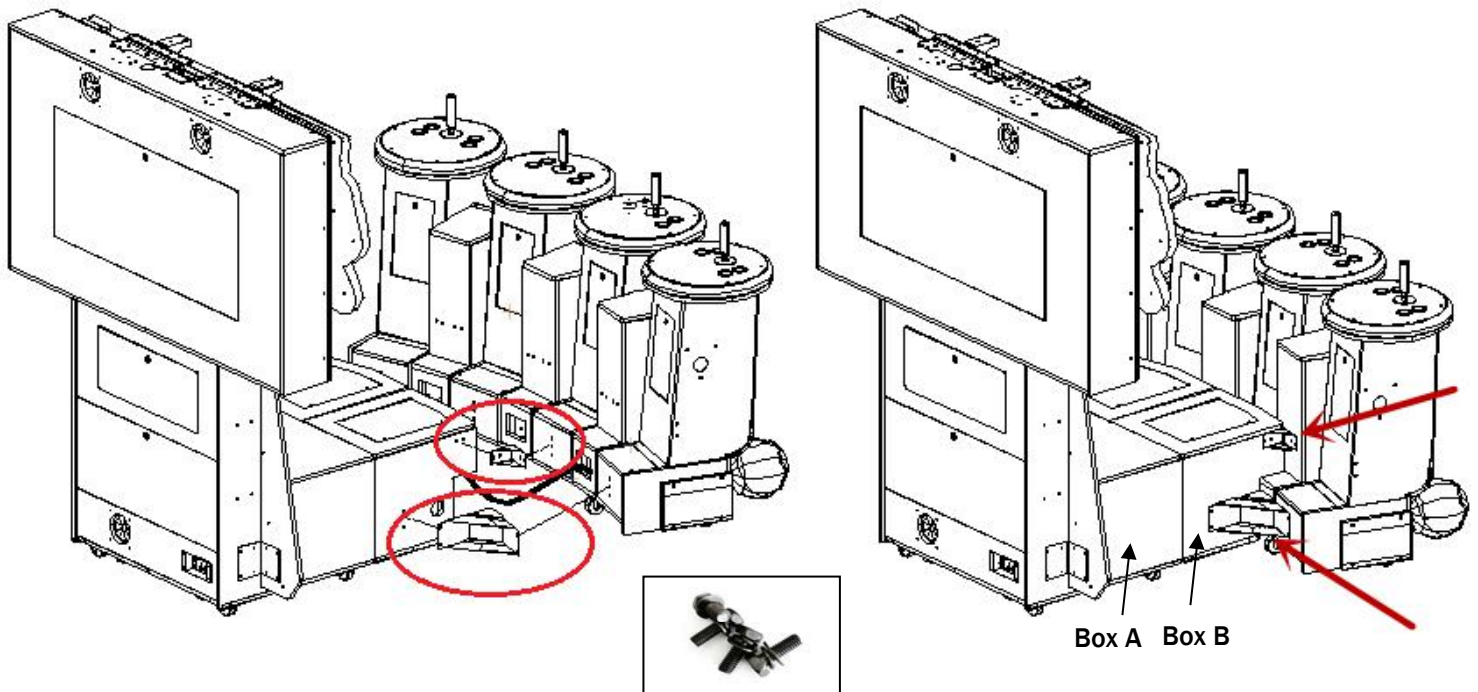
2) Open the middle two back door plates.

Utilize the Phillips screwdriver to tighten five screws(M6×25) indicated on each side to fix the three sub-assemblies together.

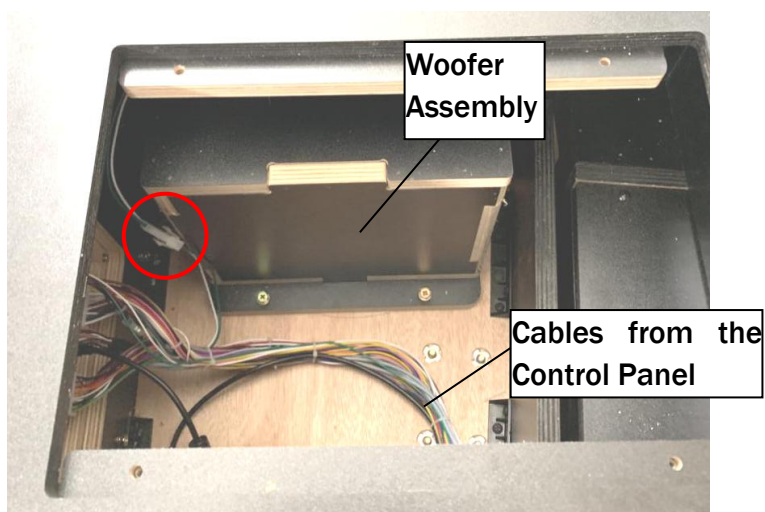


3) Route the cables at the bottom of the Control Panel through L&R Connective Box B to connect the cables to the Box A.

4) Align Control Panel and Box B and fix the metal brackets indicated by the circles on both





5) Connect the connector of the Woofer Assembly to the connector of the cables.

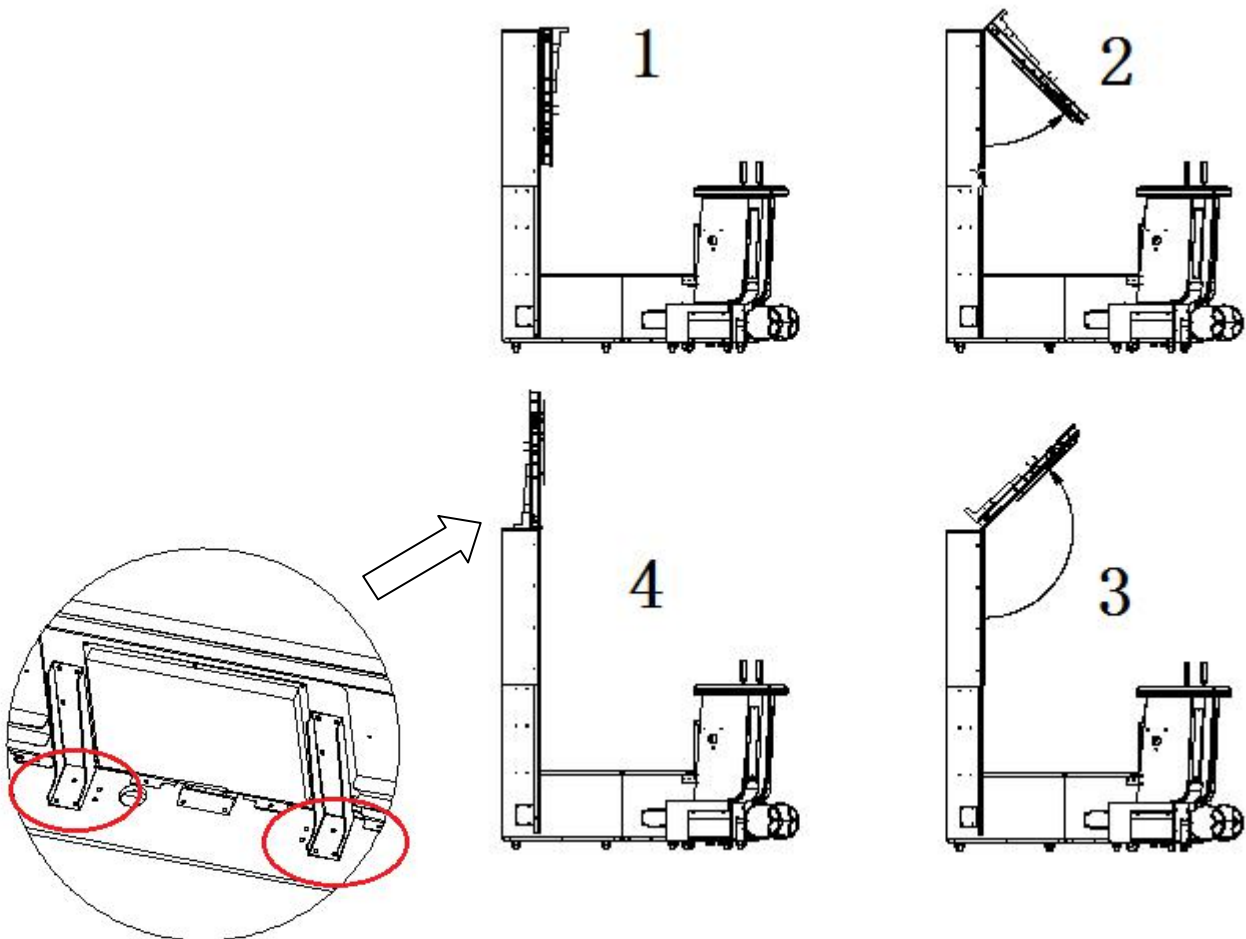




### 4.5.3 Marquee Assembly

No.	Part No.	Code	Name	Picture	Qty
1	W119-345-000	20104010004	Cross recessed hexagon bolt		6
2	/	/	Phillips screwdriver		1

- 1) Raise the marquee upright by following pictures 1-4.
  - 2) Utilize Phillips screwdriver to tighten 6 screws indicated by circles to fix the marquee.
- Note: The marquee is high, please be careful when installing.



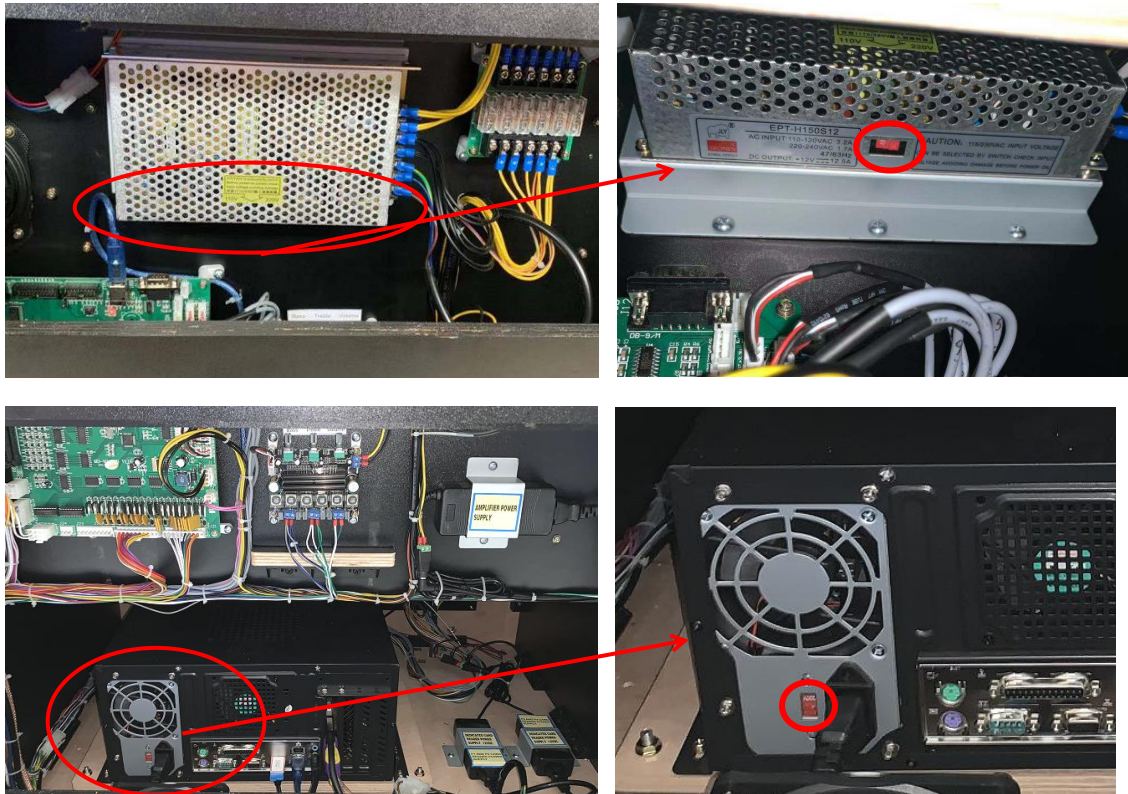
**Finish!**

## 4.6 Voltage Conversion (110V convert to 220V)


Power off the machine.

Step 1 Locate the power supply and the PC inside the back box.

Step 2 Toggle the switches from 115V to 230V on the power supply and PC.

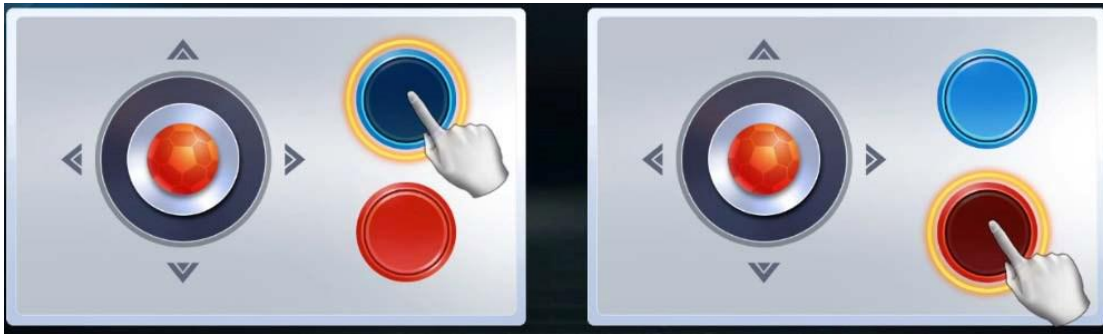


## 4.7 Card Reader Installation Safety Notice

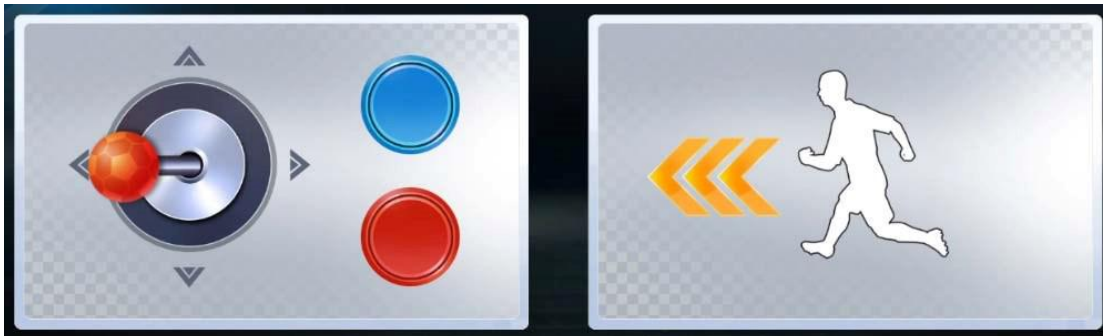
 Take precaution to assure that all wiring voltages are confirmed prior to installation of card reader. All warranties are void if not properly installed resulting in logic board damage.

## 5. HOW TO PLAY

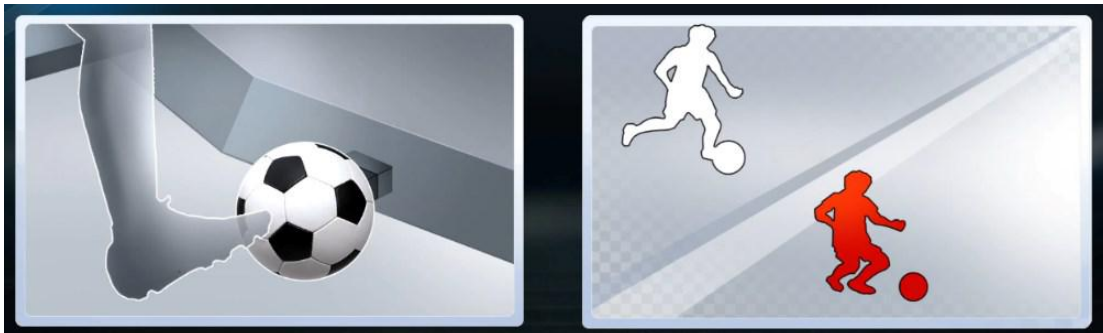
1. Tap card and press any button to start.



2. Control the joystick to move the player.



3. Kick the ball with your feet to shoot and tackle.



4. Press SWITCH PLAYERS to switch your own side available player.



5. Press ACCELERATE to speed up the player.



6. To ensure customers' safety, please pay attention to this Caution.

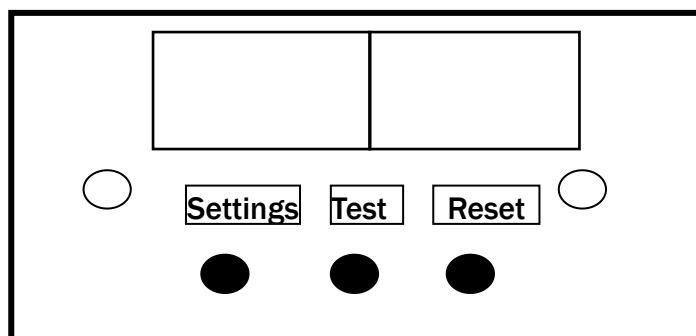


**Game Rules:**

1. 1-4 player(s) compose the USA team to compete with other teams.
2. Player(s) can win the champion after winning the Quarter Final, Semi-final and Final.
3. New player can join at any time when game playing.
4. Player can tap card to revive to continue playing.

## 6. GAME OPTION

### 6.1 Adjustment button instruction



Open the coin door and there is a counter panel. Press Settings button to enter the setting menu.

### 6.2 Setting menu

#### 6.2.1 Main menu

Options
Basic Setting
Camera Setting
Input Test
Light Test
Sound Test
Game Reset
Date/Time Setting
Language/语言
About This Game
Daily Record
Back to game





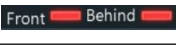
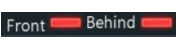
#### 6.2.2 Basic Setting

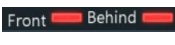
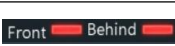
Options	Parameter
Free play	ON/OFF
Coins per game	1-99
Volume	0-10
Demo music	ON/OFF
Difficulty	Easy/Normal/Difficult
Coin memory	ON/OFF
Pay mode	'Insert Coins/ Swipe Card'/ Insert Coins/ Swipe Card/ Insert Bills/Tap Card
Pay to play the second half	ON (available for Single Play) / OFF
Half game time	60/90/120/150/180 Sec
Back & Save	
Back	

#### 6.2.3 Camera Setting

Options	Parameter	Note
Take photo or not?	ON/OFF	
Camera Pos Adjustment		Use the joysticks to adjust the photo frames.
Back & Save		
Back		

## 6.2.4 Input Test

Options	Parameter	Note
1P Coin	0-999	
2P Coin	0-999	
3P Coin	0-999	
4P Coin	0-999	
1P Button		Press the button and the button image will turn dark.
2P Button		
3P Button		
4P Button		
1P Ball sensor		Kick the ball and the images will turn dark.
2P Ball sensor		

Options	Parameter	Note
3P Ball sensor		Kick the ball and the images will turn dark.
4P Ball sensor		
1P Joystick		Slowly move the joystick to the top/bottom/far left/far right as the instruction.
2P Joystick		
3P Joystick		
4P Joystick		
1P Ball Signal		Kick the ball with minimum /maximum power until the value appears as the instruction.
2P Ball Signal		
3P Ball Signal		
4P Ball Signal		
Back		

## 6.2.5 Light Test

Options	Parameter	Note
Monitor left light	Light Strips Off→ Multi-color Flashing→ Red Light On→ Red Light Breath→ Green Light On→ Green Light Breath→ Blue Light On→ Blue Light Breath→ Yellow Light On→ Yellow Light Breath	Press the Reset button to test in order.
Monitor right light		
1P control panel light		
2P control panel light		
3P control panel light		
4P control panel light		
Back		

## 6.2.6 Sound Test

Options
Stereo (Both Left and Right Channels)
Left Channel Only
Right Channel Only
Back

### 6.2.7 Game Reset

Options	Parameter
Factory Restore	Ok/Cancel
Clear Daily Record	Ok/Cancel
Clear Unused Coin	Ok/Cancel
Back	

### 6.2.8 Date/Time Setting

Options	Parameter
Year	1970-2118
Month	1-12
Day	1-31
Hour	0-24
Min	0-59
Sec	0-59
Back & Save	
Back	

### 6.2.9 Language/语言

Options
中文
English
Back

### 6.3.10 About This Game

Options
CPU
Motherboard
Memory
Display Adapter
Resolution
Version
Back

### 6.3.11 Daily Record

Date	Weekday	Runtime	Coins
2018/6/11	Mon	00:21:00	4
2018/6/9	Sat	00:33:00	1
Total		2day(s)	5
Pre Page Next Page Back			

## 7. TROUBLE SHOOTINGS

### 7.1 Common Problem

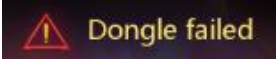

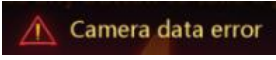

Please confirm that all connectors fit tightly.

Symptom	Possible Cause	Recommended action
Game will not start	Frame assembly connector is loose.	Check connector.
	Frame assembly fault	Contact with UNIS Service.
Power off	Circuit protector make power SW in off state.	Turn on power SW again. If appeared again and again, machine has anomaly. Please contact with UNIS Service.
No sound	Low volume	Raise the volume.
	Connector loose.	Check connector.
	Speaker fault.	Check speaker.
	POT installation error.	Install POT correctly.
	POT fault.	Change POT.
	Audio cable problem.	Reconnect the audio cable or change it.
	PC crash.	Restart or system recovery.
Display black screen	Check connectors.	Plug in connector tightly
	Display fault.	Utilize another source such as a PC to verify if the display is operational.
	RAM is loose.	Remove and reinsert RAM.
Display blue screen	PC power cord is loose	Check PC power cord whether is loose.
	VGA signal cable is loose.	Check VGA cable
	PC video card is loose.	Reseat video card.
	"0X000000A" code appears. Conflict between computer drive and software.	Contact service

**Note:** After replacing component from pc (except for RAM), and replacing monitor, the game should be recovered again with the recovery stick attached to the machine.

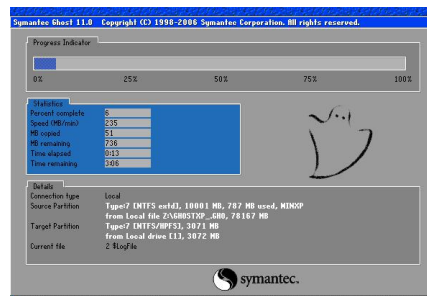


If you see following error signs showing on the display, please try the recommended action.

Error code	Possible cause	Recommended action
<b>Dongle failed</b> 	Dongle is loose.	Reinsert the dongle.
	Dongle breaks down.	Change a dongle.
<b>IO board missing</b> 	IO board plug is loose.	Reinsert the IO board plug.
	IO board breaks down.	Change an IO board.
<b>Camera data error</b> 	Camera fails to load.	Press Service to enter and wait for seconds, then exit.
	Camera isn't on.	Reboot the machine.
	Camera breaks down.	Change a camera.
<b>The joystick or the ball is not verified.</b> 	The joystick is not verified.	Enter the Setting Menu-Input Test to verify all the joysticks.
	The ball is not verified.	Enter the Setting Menu-Input test to verify all the balls.

## 7.2 System Recovery Operation **(NOTE: Do not disconnect power during this process.)**

1. Turn off the game. Remove recovery stick from the machine. (Note: This process may take up to 60 minutes) Insert the recovery stick into the port at the back of the computer.
2. Restart PC to enter the system recovery screen as shown.



3. The game will automatically start recovery.
4. Once system recovery is partially finished (as shown below), and the ICON appears, remove the recovery stick from the computer. The game will continue the install process.

OK to remove the recovery stick.



5. Assure that the recovery stick has been properly secured for future use.



**WARNING:** The recovery stick should only be used to fix software errors. Using it for other purposes may cause unexpected results and damages.

**Notice:** Please calibrate the joysticks after System Recovery to assure the normal use of the joysticks. Refer to 6.2.4 for calibration method.

## 8. MAINTENANCE & INSPECTION

### 8.1 Safety Check

Check the points listed before operating the machine. These checks are necessary for safe machine operation:

1. Test game before operation each day.
2. Conduct monthly routine checks of game components to ensure good working condition
3. Check the machine regularly for dust and clean when necessary.

**Note:** Parts and components require preventative maintenance to maintain proper operation.

### 8.2 Handling Precautions

When installing or inspecting the machine, be very careful of the following points and pay attention to ensure that the player can enjoy the game safely.




Non-compliance with the following points or inappropriate handling running counter to the cautionary matters herein stated can cause personal injury or damage to the machine.

#### ⚠ **NOTICE**

**We do not recommend using power tools as they may cause damage.**

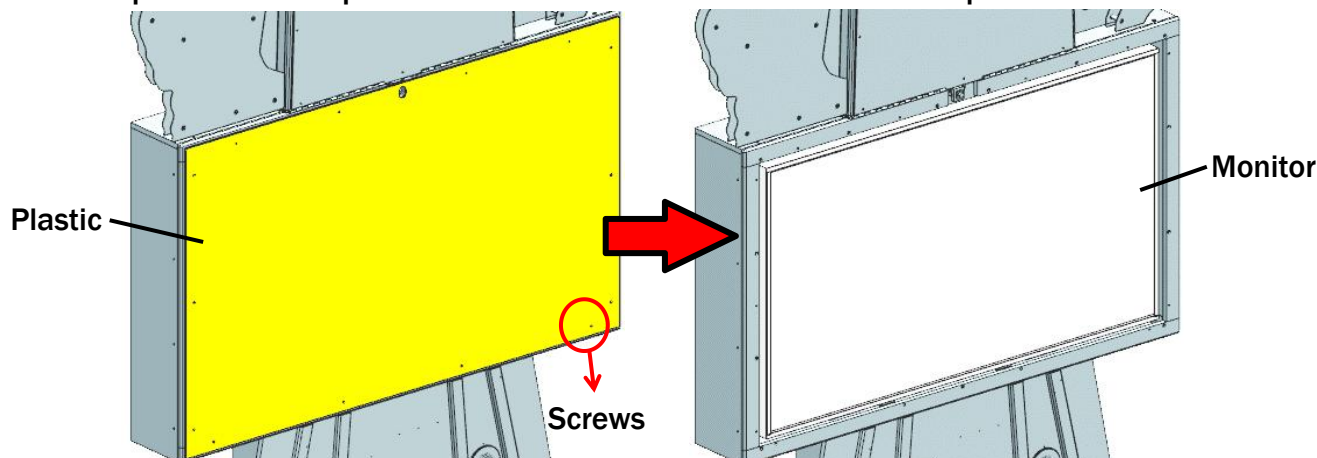
### 8.3 Main Assembly Replacement Instruction

Before processing with assembly assure you have the following tools.

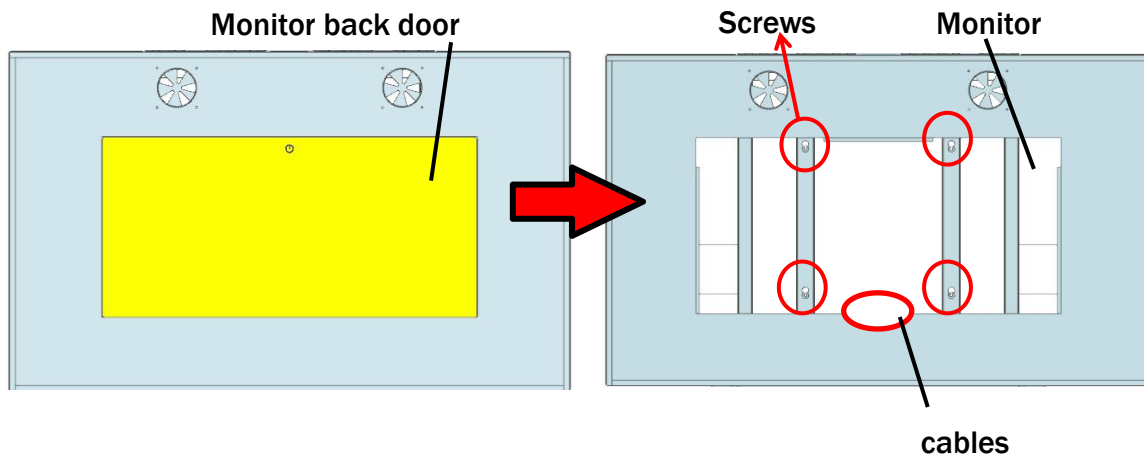
No.	Name	Picture
1	Phillips screwdriver	
2	Wrench	
3	Ladder	

#### 8.3.1 Monitor Replacement Installation

**Step 1** Utilize Phillips screwdriver to loosen the screws. Take the plastic off.



**Step 2** Open the back top door. Unplug the monitor cables. One person needs to hold the monitor in front of the machine while the other person utilize the Phillips screwdriver to loosen the monitor screws. Take the monitor off.



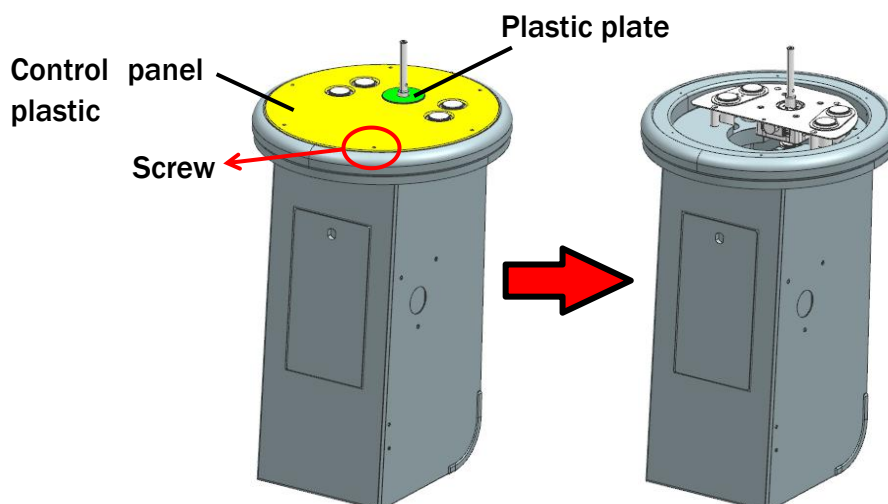
**Step 3** Replace with the new monitor and install it in reverse order.

### 8.3.2 Joystick Replacement Installation

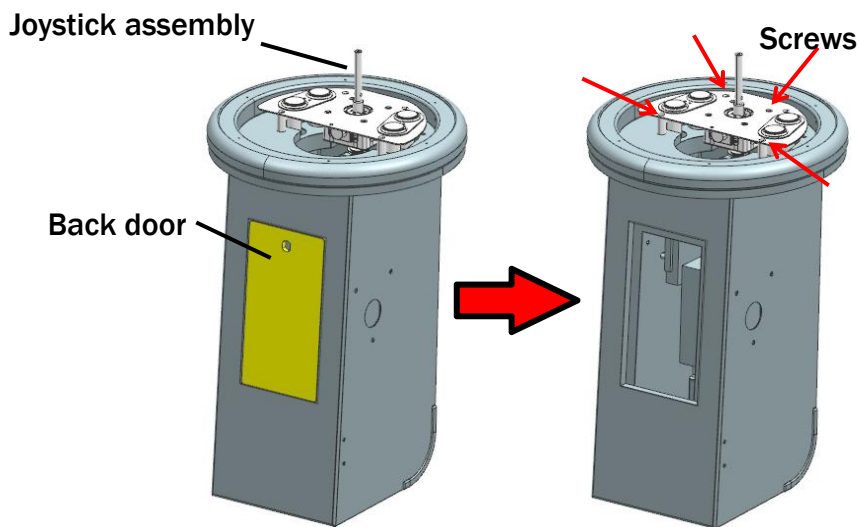
**Step 1** Utilize the Wrench to loosen the screws and take the joystick off.



**Step 2** Utilize the Phillips screwdriver to loosen the screws. Take the control panel plastic and plastic plate off.



**Step 3** Open the back door. Reach the joystick and button cables and unplug them. Utilize the Phillips screwdriver to loosen four screws to take the joystick assembly off.

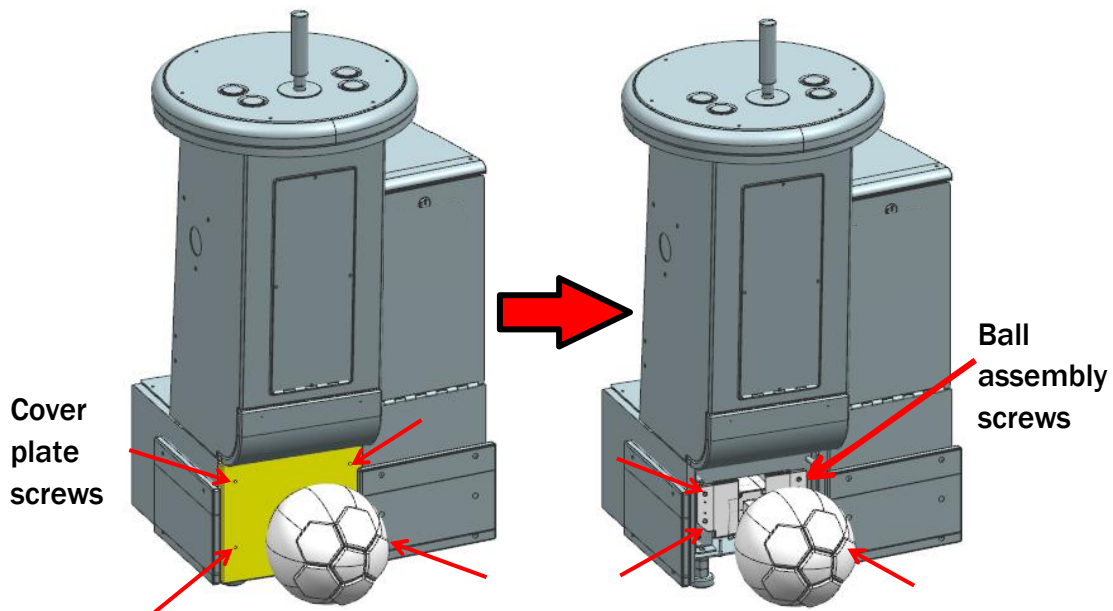


**Step 4** Replace with the new joystick and install it in reverse order.

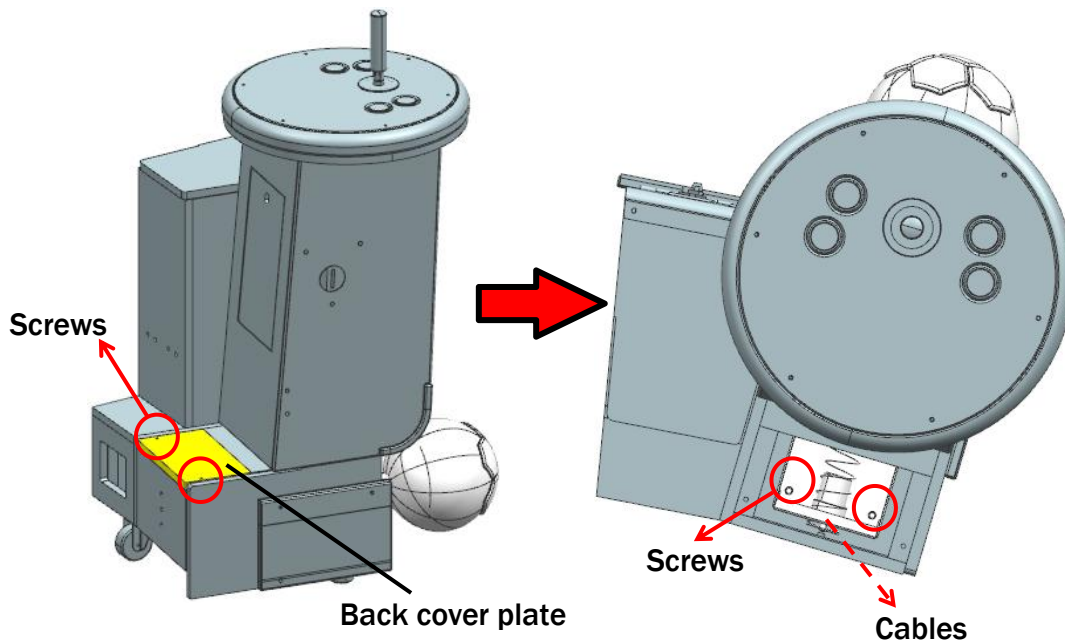
**Note:** Please connect the cables back according to the labels. It is the same instruction for the other joystick assemblies.

### 8.3.3 Ball Assembly Replacement Installation

**Step 1** Utilize the Phillips screwdriver to loosen the cover plate screws to take the cover plate off. Loosen the ball assembly screws.



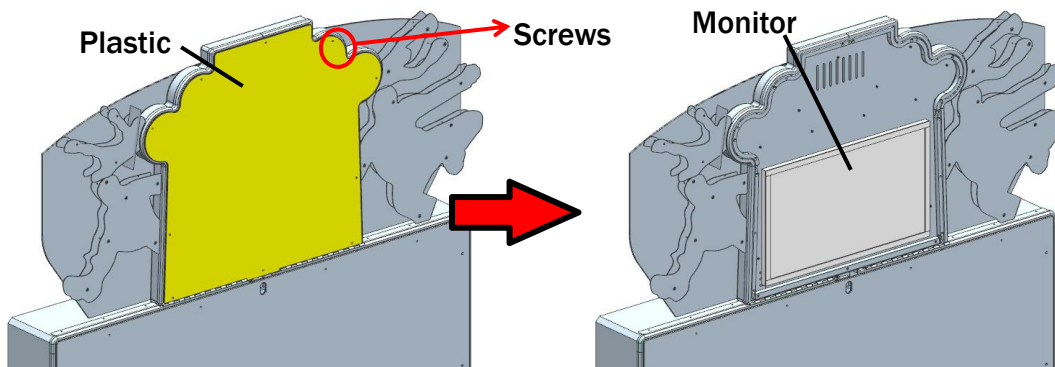
Step 2 Utilize the Phillips screwdriver to loosen the back cover plate screws and take the plate off. Unplug the cables. Loosen the screws and take the ball assembly off.



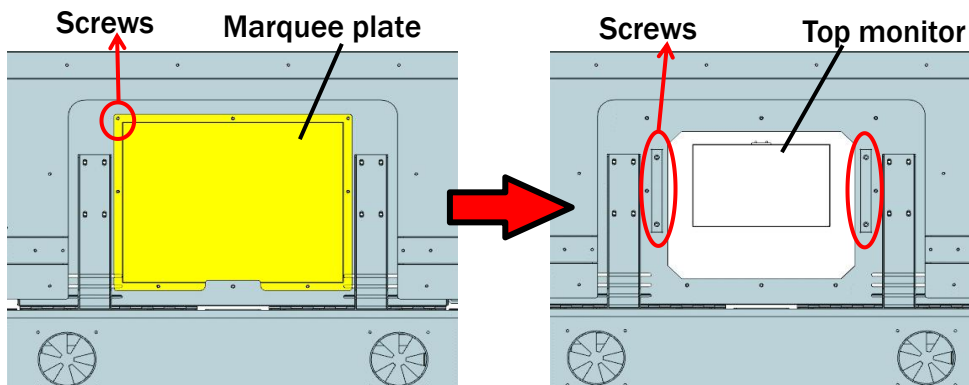
Step 3 Replace with the new ball assembly and install it in reverse order.

### 8.3.4 Top Monitor Assembly Replacement Installation

Step 1 Utilize the Phillips screwdriver to loosen the screws. Take the plastic off.



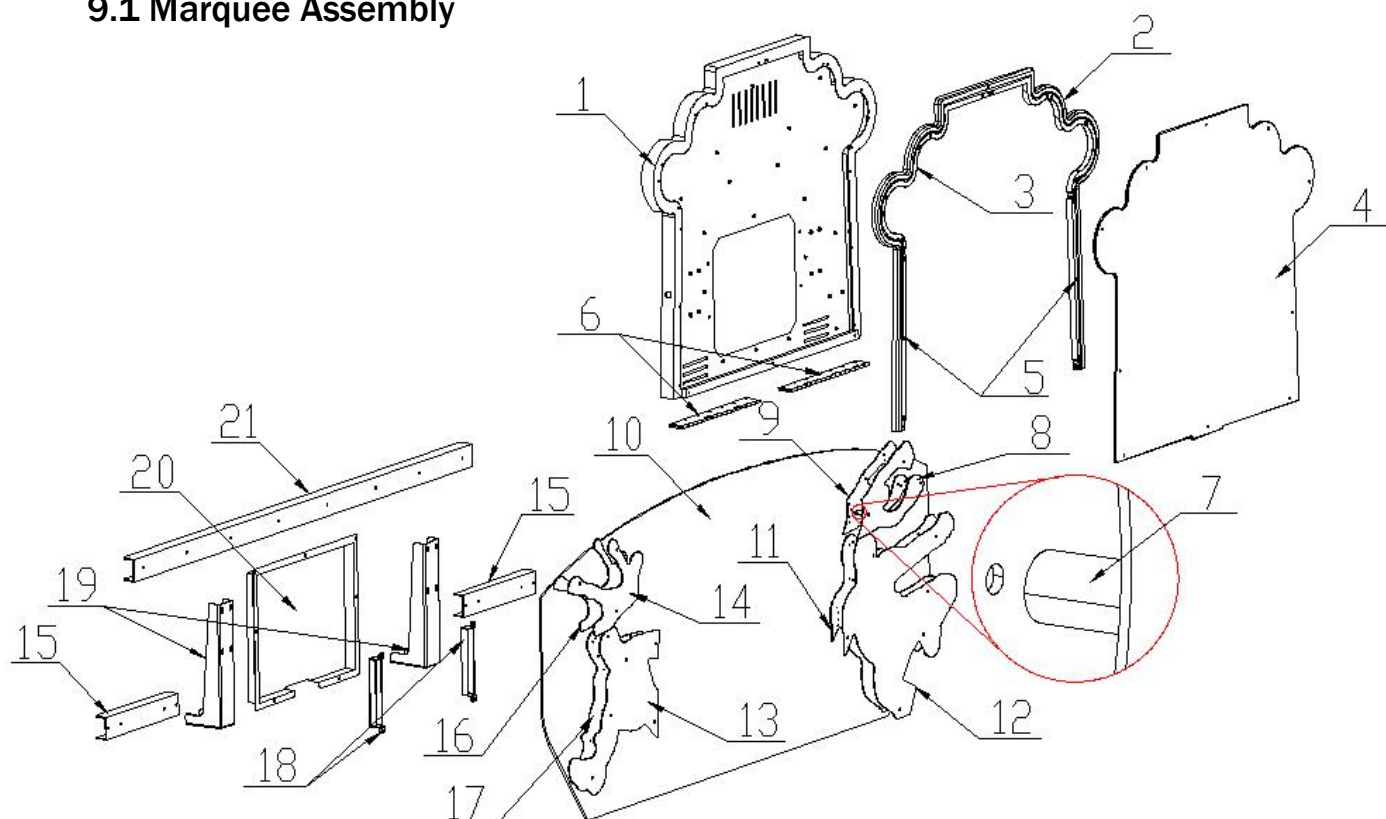
Step 2 Utilize Phillips screwdriver to loosen the marquee plate screws at the back. Unplug the monitor cables. One person need to hold the monitor in front of the machine while the other person utilize Phillips screwdriver to loosen screws at the back. Take the monitor off.



Step 3 Replace with the new top monitor and install it in reverse order.

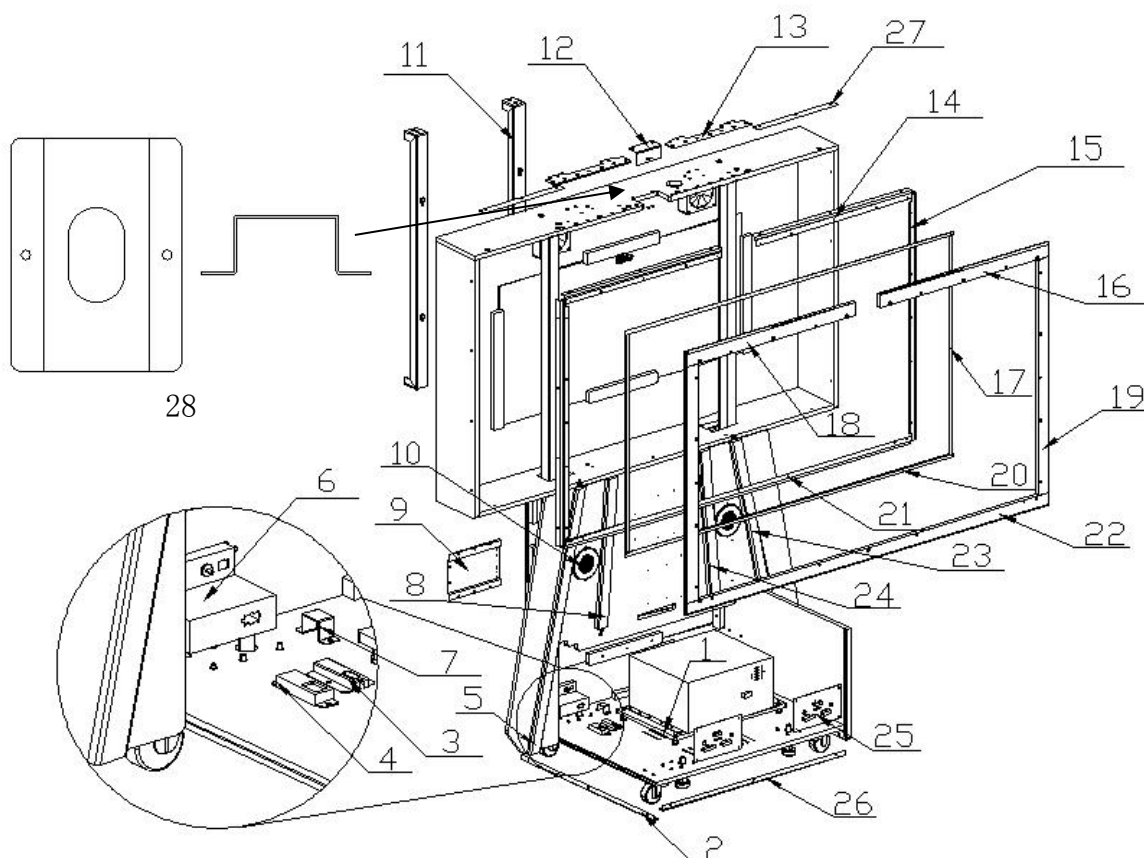
## 9. OVERALL CONSTRUCTION

### 9.1 Marquee Assembly



No.	Part No.	Code	Name	Qty
1	W119-147-000	20241804C021	Marquee down frame	1
2	W119-156-000	20641804C013	Light plastic 3	1
3	W119-149-000	20641804C012	Light plastic 2	1
4	W119-701-000	20541804C001	Marquee plastic	1
5	W119-148-000	20641804C011	Light plastic 1	2
6	W119-206-000	20241804032	Hinge	2
7	W119-150-000	20641804C020	Swivel nut	18
8	W119-708-000	20541804C008	R P plastic(small)	1
9	W119-154-000	20641804C008	R P light plastic(small)	1
10	W119-712-000	20541804C012	Marquee back decal	1
11	W119-152-000	20641804C006	R P light plastic(large)	1
12	W119-706-000	20541804C006	R P plastic(large)	1
13	W119-704-000	20541804C004	L P plastic(large)	1
14	W119-707-000	20541804C007	L P plastic(small)	1
15	W119-158-000	20241804C012	Decal fixed plate(short)	2
16	W119-153-000	20641804C007	L P light plastic(small)	1
17	W119-151-000	20641804C005	L P light plastic(large)	1
18	W119-159-000	20241804C024	Monitor fixed bar	2
19	W119-207-000	20241804028A	Marquee fixed plate	2
20	W119-155-000	20241804C010	Marquee plate	1
21	W119-157-000	20241804C011	Decal fixed plate	1

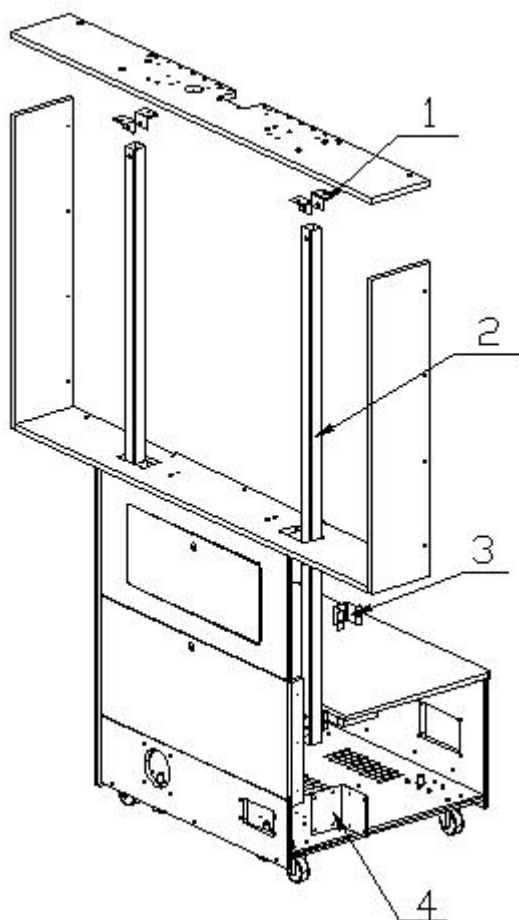
## 9.2 Monitor Assembly



No.	Part No.	Code	Name	Qty
1	W119-106-000	26000012000	Shakeproof screw A	4
	W119-518-000	20341804C004	Connective plate	1
2	W119-121-000	20241804C005	Side angle bead	2
3	W119-110-001	20241804C031	Dongle holder	1
4	W119-111-000	26000064000	Recovery stick fixed plate	1
5	W119-710-000	20541804C010	Monitor down light plastic 1	1
6	W119-108-000	26000042000B	Power box	1
7	W119-104-000	20211605043	Power fixed plate	3
8	W119-124-000	20641804C010	Light plastic 2	1
9	W119-211-000	20241804C032	Power supply bracket	1
10	W119-107-000	26000027000	Speaker net	2
	W119-478-000	22801000085	Speaker	2
11	W119-119-000	20241804C019	Display mounting bar	2
12	W119-123-000	20241804C020	Camera bracket	1
13	W119-126-000	20241804C006	Hinge bracket	2
14	W119-134-000	20241804C008	Light up plate	2
15	W119-133-000	20241804C007	Light side plate	2
16	W119-117-000	20641804C017	Up light plastic 2	1
17	W119-127-000	20641804C018	Vertical bar	2
18	W119-129-000	20641804C014	Up light plastic	1
19	W119-130-000	20641804C015	Side light plastic	2

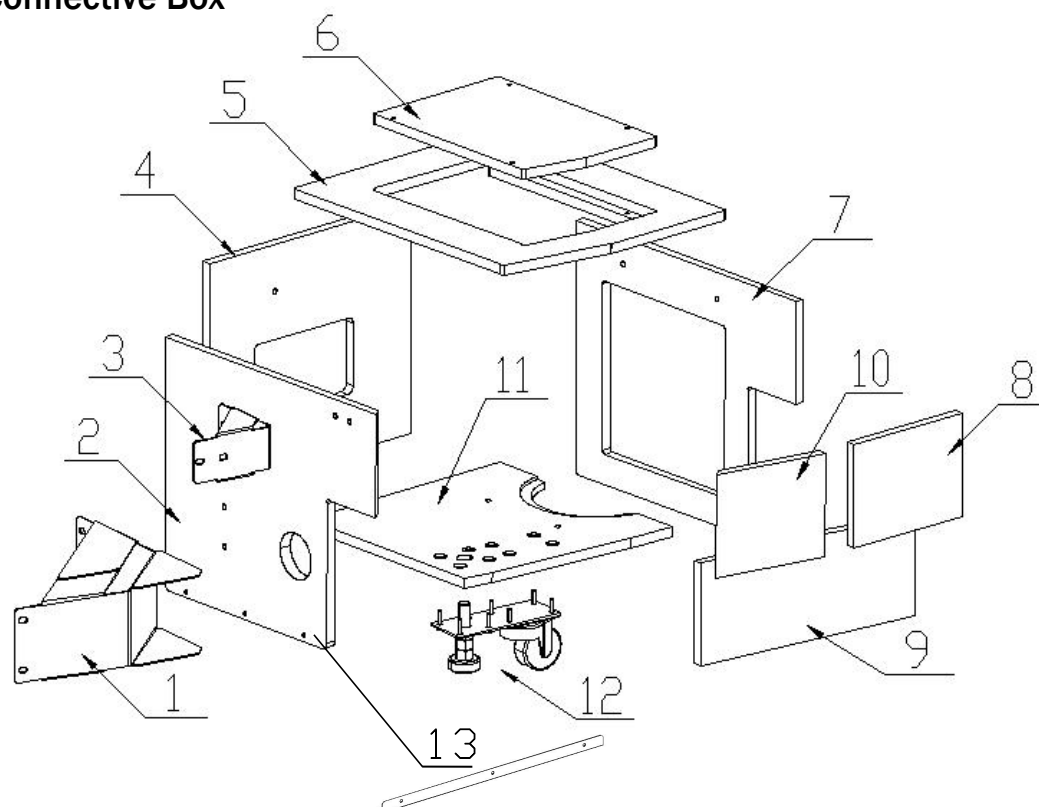


No.	Part No.	Code	Name	Qty
20	W119-128-000	20641804C019	Horizontal bar	2
21	W119-135-000	20241804C009	Light down plate	1
22	W119-132-000	20641804C016	Down light plastic	1
23	W119-711-000	20541804C011	Monitor down light plastic 3	1
24	W119-122-000	20641804C009	Light plastic 4	1
25	W119-118-000	20241804C018A	Fixed plate	2
26	W119-120-000	20241804C004	Side angle bead	2
27	W119-131-000	20641804C004	Light barrier	2
28	W119-125-000	20241804C026	Adapter fixed plate	1



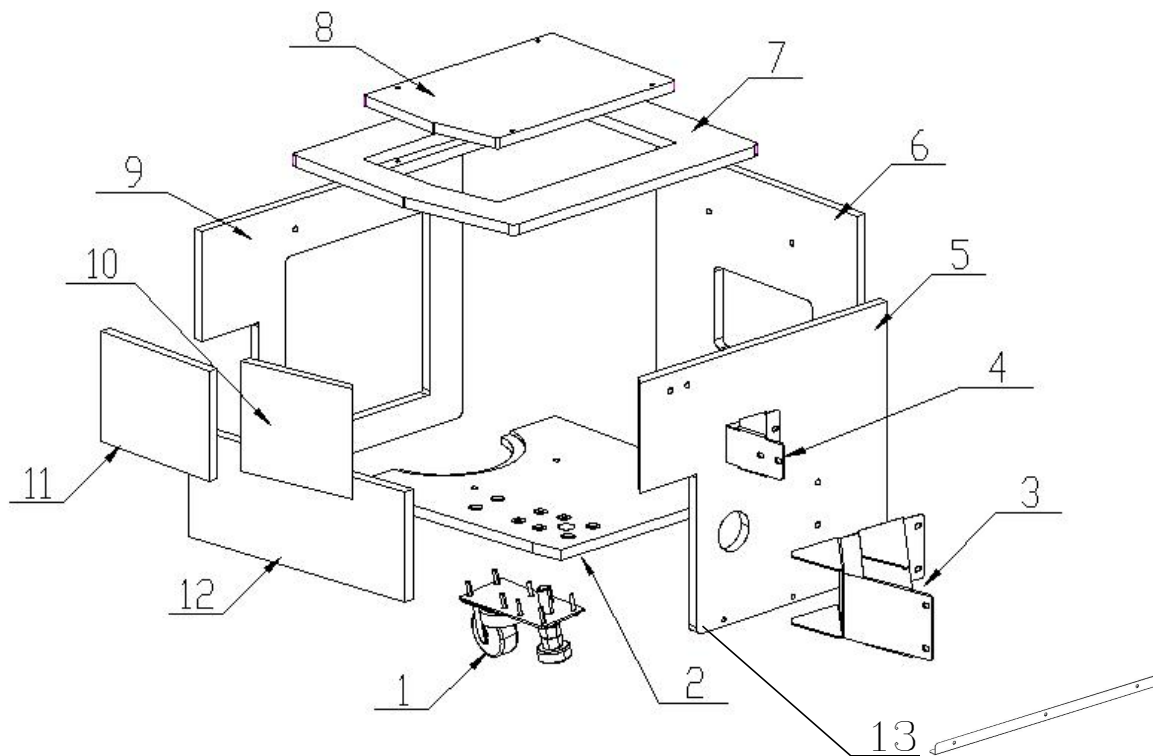
No.	Part No.	Code	Name	Qty
1	W119-115-000	20241804C002	Fixed plate	4
2	W119-114-000	20241804C001	Fixed pipe	2
3	W119-116-000	20241804C003	Fixed plate	6
4	W119-113-000	20241804C017	Reinforcing plate	2

## 9.3 L Connective Box



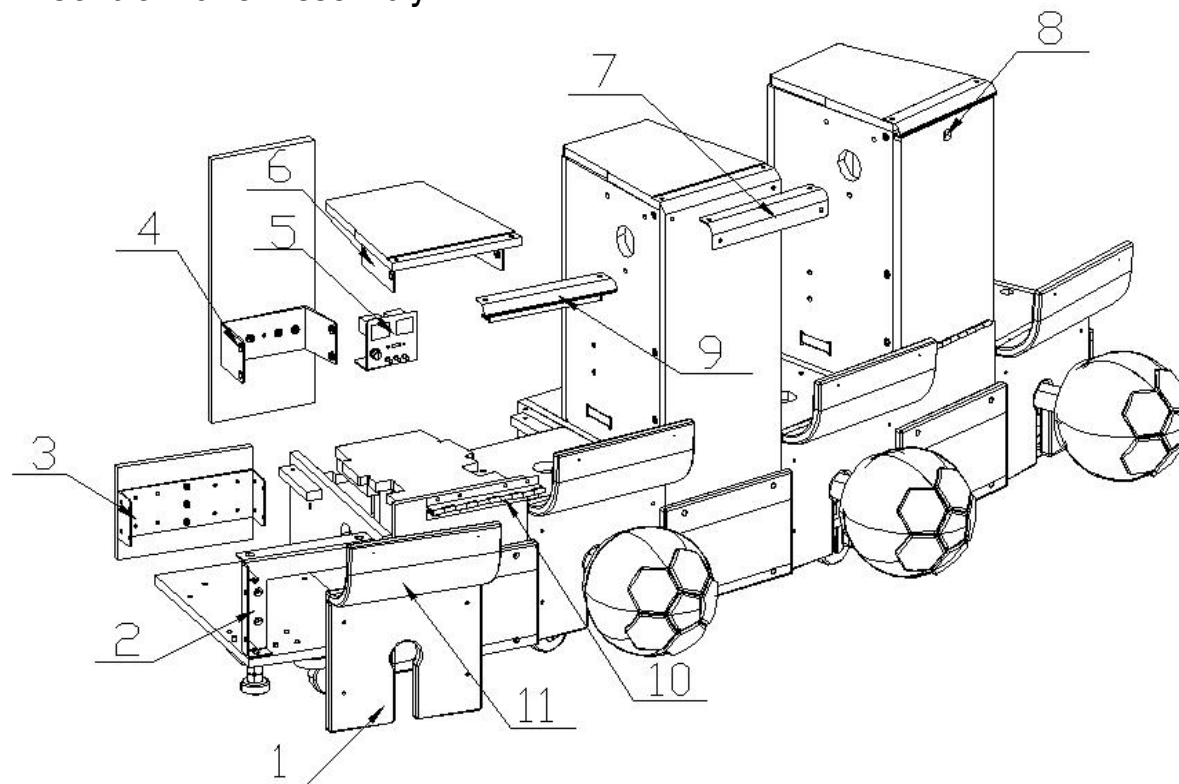
No.	Part No.	Code	Name	Qty
1	W119-199-000	20241804022A	Connective plate(large)	1
2	W119-527-000	20341804C028	Connective part side plate	1
3	W119-200-000	20241804023A	Connective plate(small)	1
4	W119-526-000	20341804C027	Connective part back plate	1
5	W119-531-000	20341804C031	Top plate	1
6	W119-530-000	20341804C030	Connective part door plate	1
7	W119-529-000	20341804C029	Connective part middle plate	1
8	W119-534-000	20341804C034	Connective part up side plate	1
9	W119-533-000	20341804C033	Connective part down side plate	1
10	W119-532-000	20341804C032	Connective part front side plate	1
11	W119-528-000	20341804C025	Connective part bed plate	1
12	W119-101-000	26000008000	Cabinet leveller	1
	W119-102-000	26000010000	Caster bracket	1
	W119-456-000	25501000047	2.5" caster	1
13	W119-205-000	20241804B010	Side angle bead	1

### 9.4 R Connective Box

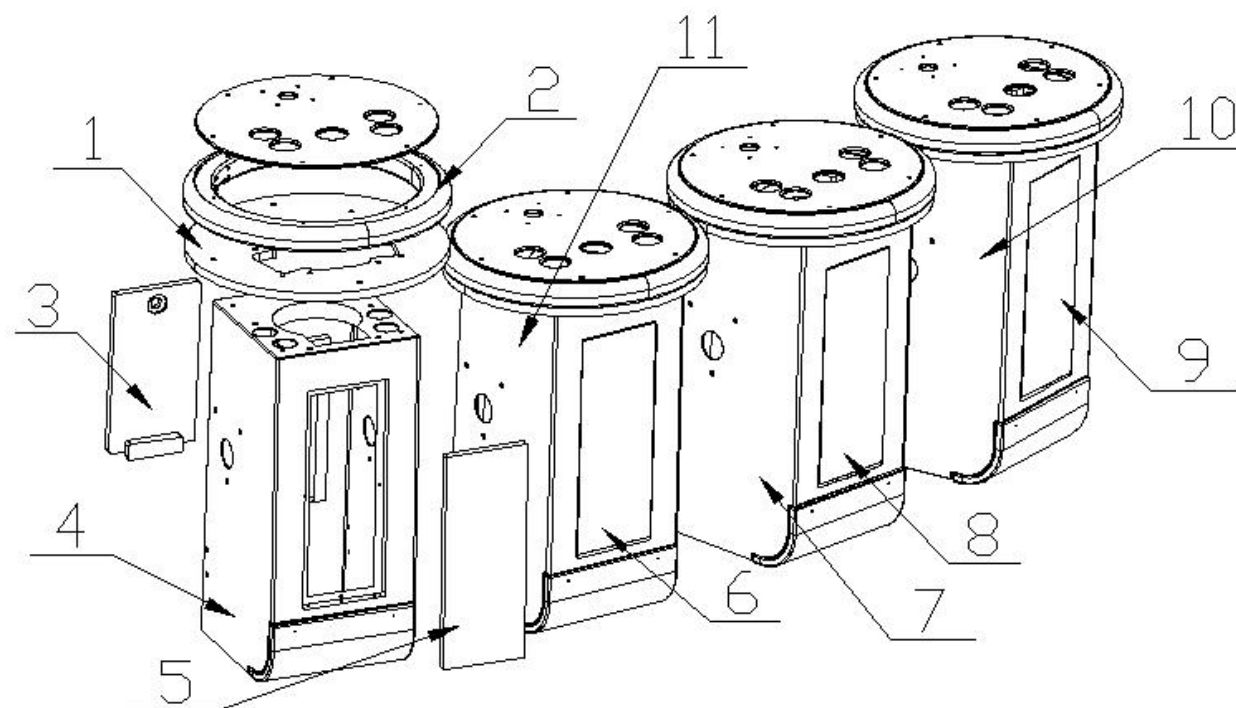


No.	Part No.	Code	Name	Qty
1	W119-101-000	26000008000	Cabinet leveller	1
	W119-102-000	26000010000	Caster bracket	1
	W119-456-000	25501000047	2.5" castor	1
2	W119-536-000	20341804C026	Connective part bed plate	1
3	W119-199-000	20241804022A	Connective plate(large)	1
4	W119-200-000	20241804023A	Connective plate(small)	1
5	W119-535-000	20341804C035	Connective part side plate	1
6	W119-526-000	20341804C027	Connective part back plate	1
7	W119-538-000	20341804C037	Top plate	1
8	W119-530-000	20341804C030	Connective part door plate	1
9	W119-537-000	20341804C036	Connective part middle plate	1
10	W119-532-000	20341804C032	Connective part front side plate	1
11	W119-534-000	20341804C034	Connective part up side plate	1
12	W119-533-000	20341804C033	Connective part down side plate	1
13	W119-205-000	20241804B010	Side angle bead	1

## 9.5 Control Panel Assembly

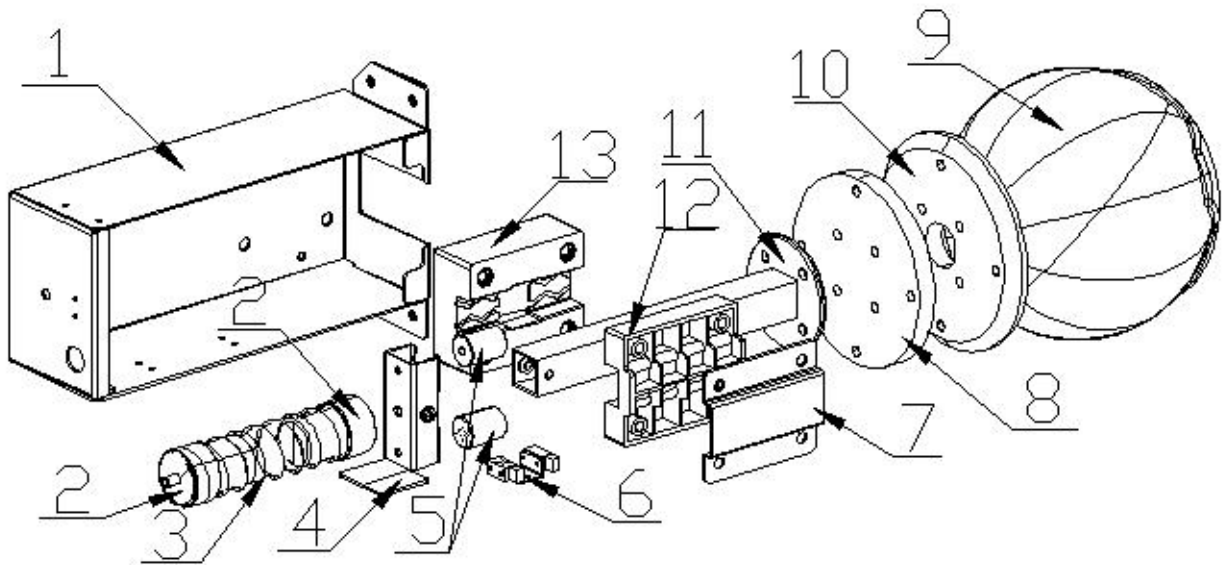


No.	Part No.	Code	Name	Qty
1	W119-203-000	20241804035	Outboard plate	1x4
	W119-204-000	20241804027	Outboard fixed plate	2x4
2	W119-163-000	20241804010	Main plate	1x4
3	W119-164-000	20241804011	Reinforcing plate	1x4
4	W119-165-000	20241804013	Control panel reinforcing plate	1x3
5	W119-103-000	20211605E037	Counter bracket(with knob hole)	1
	W119-146-000	20241804C023	Counter bracket	1
6	W119-136-000	20241804C027	Control panel top plate	1x3
7	W119-202-000	20241804026	Control panel middle arc plate	1
8	W119-455-000	25300171001	Lock	1x2
9	W119-198-000	20241804021	Control panel arc plate	1x2
10	W119-166-000	20241804039	Hinge	1x2
11	W119-201-000	20241804034A	Black plate	3x3



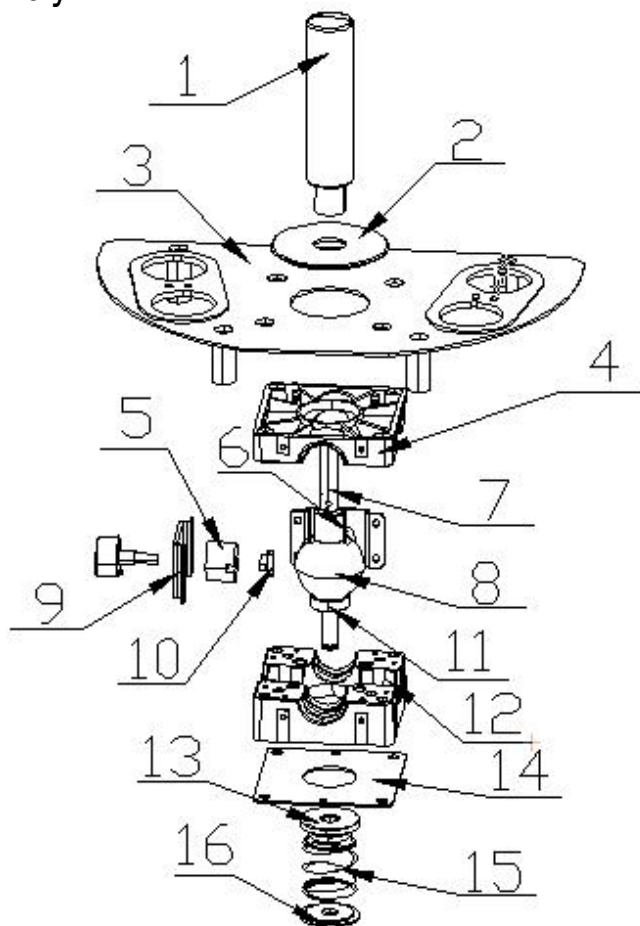
No.	Part No.	Code	Name	Qty
1	W119-564-000	20341804B028	Control panel plate	1x4
2	W119-194-000	20641804031	Control panel light plastic	1x4
3	W119-565-000	20341804B029	Control panel back door plate	1x4
4	W119-193-001	20241804017A	Control panel 1	1
5	W119-733-000	20541804005	Control panel rectangle plastic 1	1
6	W119-734-000	20541804016	Control panel rectangle plastic 2	1
7	W119-196-001	20241804019A	Control panel 3	1
8	W119-735-000	20541804017	Control panel rectangle plastic 3	1
9	W119-736-000	20541804018	Control panel rectangle plastic 4	1
10	W119-197-001	20241804020A	Control panel 4	1
11	W119-195-001	20241804018A	Control panel 2	1

## 9.6 Ball Assembly



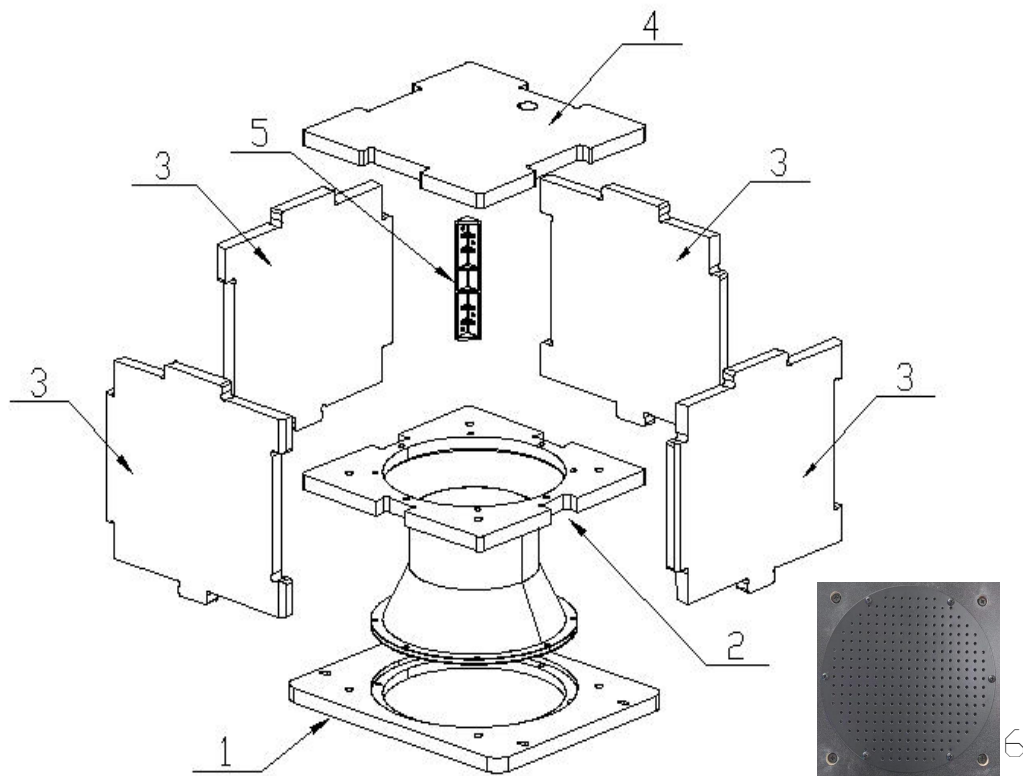
No.	Part No.	Code	Name	Qty
1	W119-137-000	20241804C022	Fixed case	1
2	W119-186-000	20641804025	Buffer rubber	2
3	W119-187-000	20241804054	Compression spring	1
4	W119-191-000	20241804049	Sensor block	1
5	W119-188-000	20641804029	Buffer rubber 2	2
6	W119-189-000	20241804048	Sensor fixed plate	1
7	W119-185-000	20241804047A	Cover	1
8	W119-525-000	20341804C024	Soccer fixed plate	1
9	W119-142-000	20641804C001	1P Soccer	1
	W119-143-000	20641804C002	2P Soccer	1
	W119-144-000	20641804C003	3P Soccer	1
	W119-145-000	20641804C021	4P Soccer	1
	W119-453-000	20841804004	PP foam	1.76lb/pcs
10	W119-524-000	20341804C023	Soccer fixed plate	1
11	W119-190-000	20241804057	Pole	1
12	W119-184-000	20641804021	Down block	1
13	W119-183-000	20641804020	Up block	1

## 9.7 Joystick Assembly



No.	Part No.	Code	Name	Qty
1	W119-138-000	20241804C013	1P Joystick	1
	W119-139-000	20241804C014	2P Joystick	1
	W119-140-000	20241804C015	3P Joystick	1
	W119-141-000	20241804C016	4P Joystick	1
	W119-170-000	20241804014A	Joystick plate	1
2	W119-179-000	20641804026A	Plastic plate	1
3	W119-167-000	20241804043	Fixed plate	1
4	W119-168-000	20641804018	Fixed up block	1
5	W119-180-000	20641804015	POT retainer	1
6	W119-172-000	20641804016	POT retainer	1
7	W119-182-000	20241804016A	Joystick down shaft	1
8	W119-171-000	20241804052	Steering ball	1
9	W119-174-000	20241804044	POT fixed plate	2
10	W119-181-000	20241804055	Cross sliding block	1
11	W119-173-000	20641804017	Bracket	1
12	W119-169-000	20641804019	Fixed down block	1
13	W119-176-000	20641804014	Spring up fixed plate	1
14	W119-177-000	20241804045A	Fixed cover plate	1
15	W119-175-000	20241804053	Spring	1
16	W119-178-000	20241804015	Spring down fixed plate	1

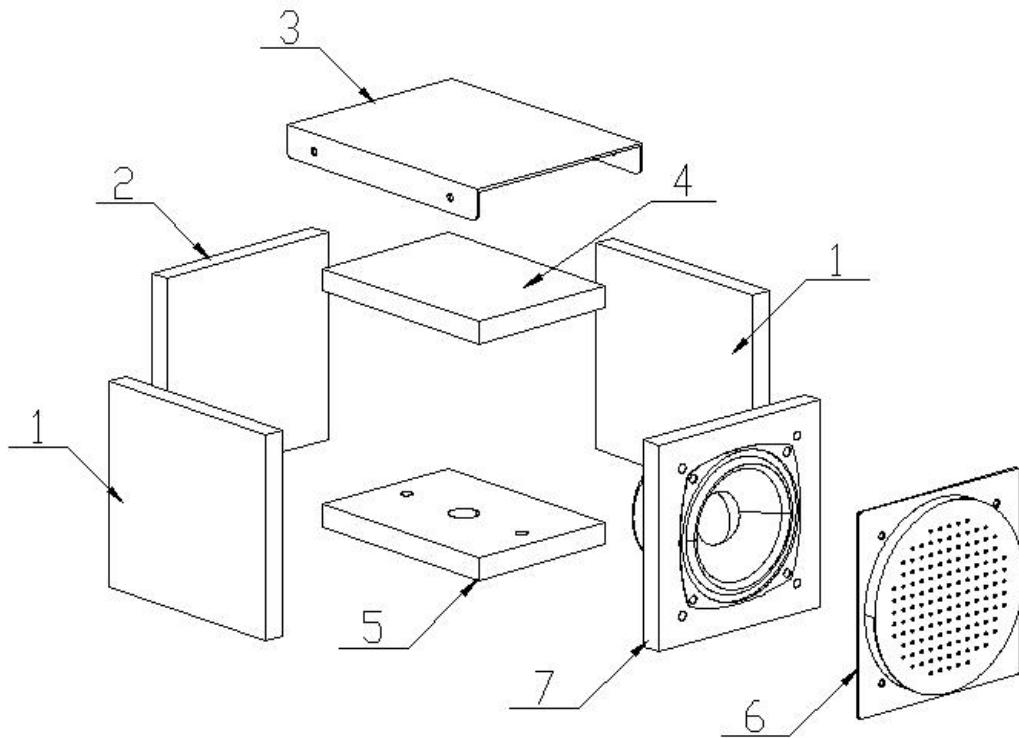
## 9.8 Woofer Assembly



No.	Part No.	Code	Name	Qty
1	W119-542-000	20341804C041	Woofer bed plate	1
2	W119-539-000	20341804C038	Woofer back plate	1
3	W119-540-000	20341804C039	Woofer side plate	4
4	W119-541-000	20341804C040	Woofer cover plate	1
5	W119-112-000	26000067000	Plastic bar	12
6	W119-160-000	20241804C025	Woofer net	1



## 9.9 Speaker Assembly

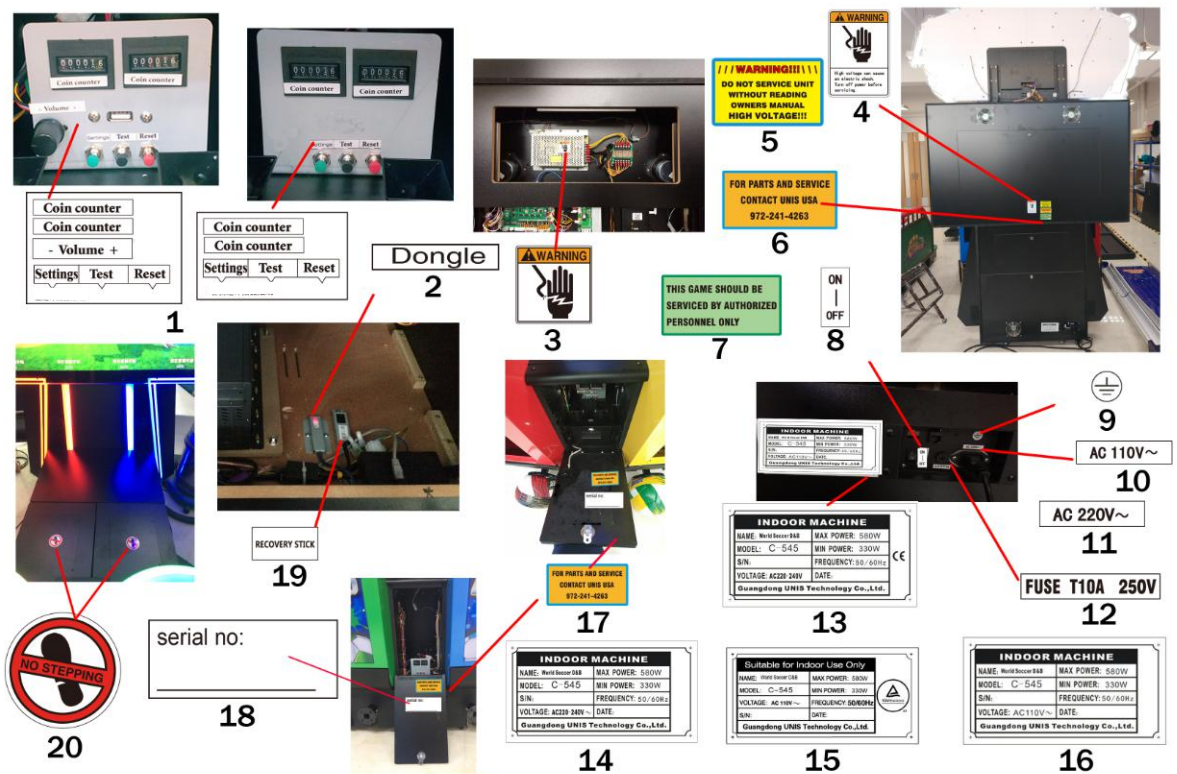


No.	Part No.	Code	Name	Qty
1	W119-544-000	20341804C044	Side plate 3	2x2
2	W119-546-000	20341804C046	Side plate 2	1x2
3	W119-162-000	20241804C029	Top plate	1x2
4	W119-547-000	20341804C047	Side plate 1	1x2
5	W119-545-000	20341804C045	Cover plate	1x2
6	W119-161-000	20241804C028	Speaker net	1x2
7	W119-543-000	20341804C043	Bed plate	1x2

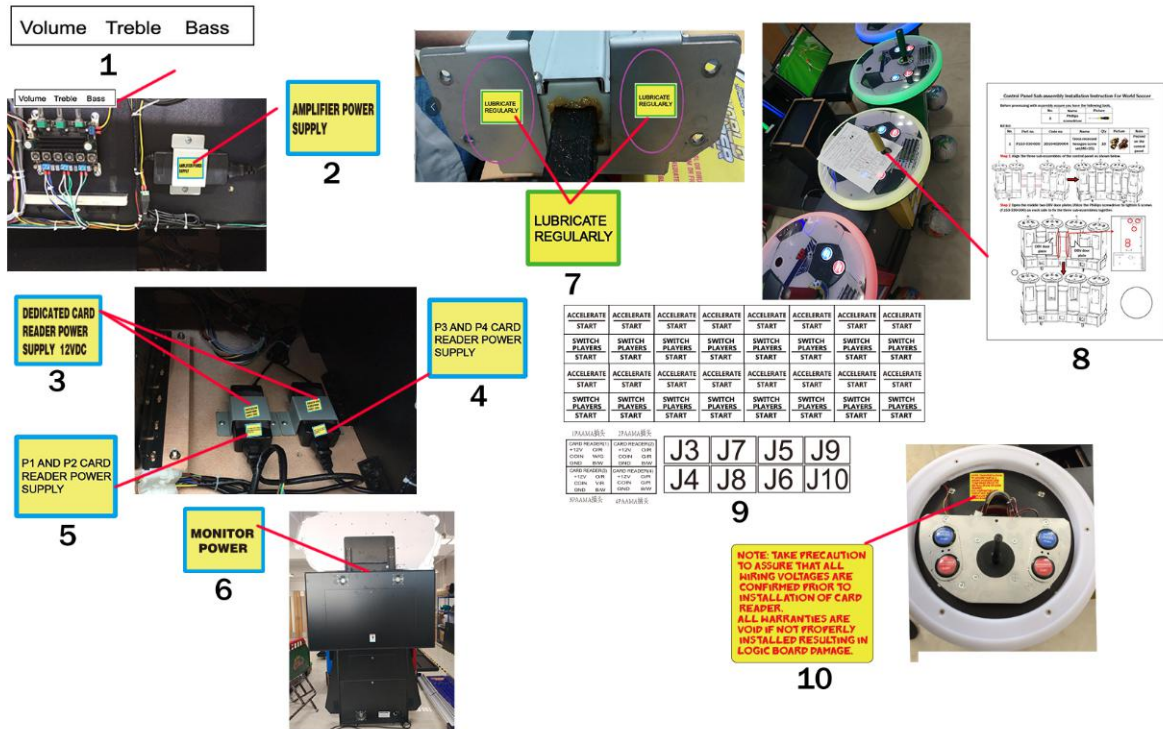
### 9.10 Decals



No.	Part No.	Code	Name	Qty
1	W119-701-000	20541804C001	Marquee plastic	1
2	W119-702-000	20541804C002	Monitor plastic	1
3	W119-704-000	20541804C004	L P plastic(large)	1
4	W119-706-000	20541804C006	R P plastic(large)	1
5	W119-707-000	20541804C007	L P plastic(small)	1
6	W119-708-000	20541804C008	R P plastic(small)	1
7	W119-712-001	20541804C012A	Marquee back decal	1
8	W119-711-000	20541804C011	Monitor down light plastic 3	1
9	W119-710-000	20541804C010	Monitor down light plastic 1	1
10	W119-729-000	20541804C029	Black decal	1
11	W119-733-000	20541804005	Control panel rectangle plastic 1	1
12	W119-734-000	20541804016	Control panel rectangle plastic 2	1
13	W119-735-000	20541804017	Control panel rectangle plastic 3	1
14	W119-736-000	20541804018	Control panel rectangle plastic 4	1
15	W119-716-000	20541804C016	Tekey decal	1
16	W119-739-000	20541804A016	Red button decal	2x4
17	W119-740-000	20541804A018	Blue button decal	2x4
18	W119-703-000	20541804C003	Control panel plastic 1	1
19	W119-713-000	20541804C013	Control panel plastic 2	1
20	W119-714-000	20541804C014	Control panel plastic 3	1
21	W119-715-000	20541804C015	Control panel plastic 4	1
22	W119-738-000	20541804009	Moving plastic	1x4
23	W119-717-000	20541804C017	Monitor down warning decal	1



No.	Part No.	Code	Name	Qty
1	W119-737-000	20541804B001	Counter label	1
2	W119-741-000	25600000093	Dongle label	1
3	W119-745-000	25600000036	Warning label(small)	1
4	W119-743-000	25600000037	Warning label(large)	1
5	W119-753-000	25600000067	Service warning label	1
6	W119-754-000	25600000095	Service label(large)	1
7	W119-752-000	25600000042	Service label 1	1
8	W119-744-000	25600000016	Power switch label	1
9	W119-747-000	25600000091	GND label	1
10	W119-750-000	25600000071	110V label	1
11	W119-742-000	25600000072	220V label	1
12	W119-746-000	25600000077	Fuse label	1
13	W119-721-000	20541804C021	220V nameplate(CE)	1
14	W119-722-000	20541804C022	220V nameplate	1
15	W119-723-000	20541804C023	110V nameplate(TUV)	1
16	W119-705-000	20541804C005	110V nameplate	1
17	W119-751-000	25600000096	Service label(small)	2
18	W119-730-000	20541804C032	Serial no. label	2
19	W119-748-000	25600000116	Recovery stick label	1
20	W119-749-000	25600000057	No stepping label	2



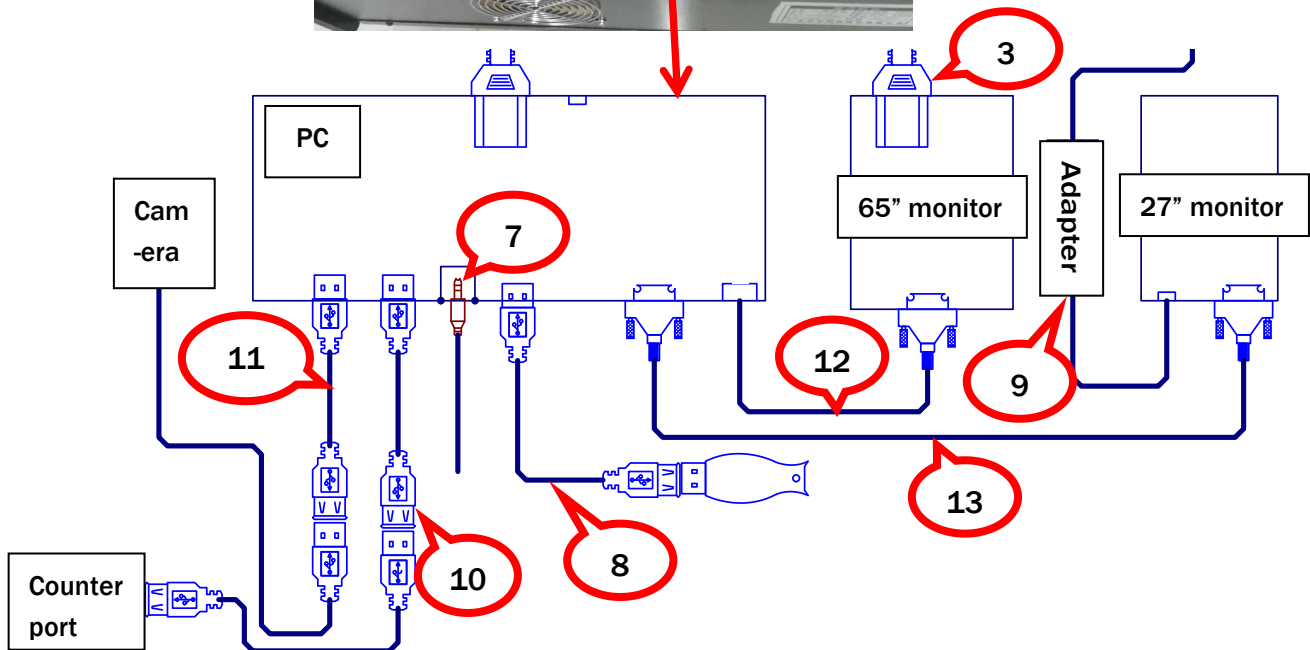
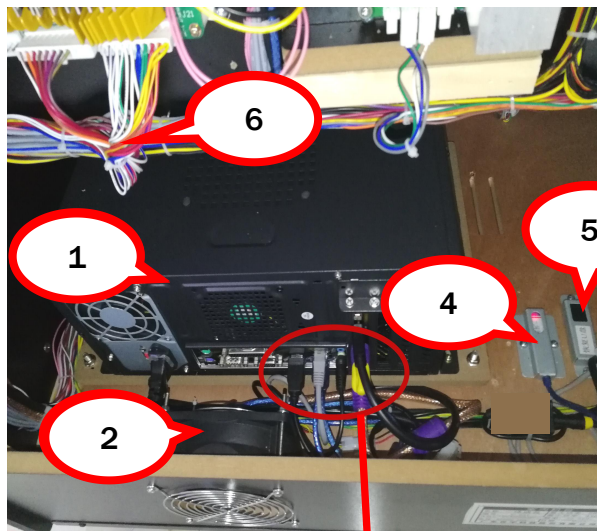
No.	Part No.	Code	Name	Qty
1	W119-718-000	20541804C018	Amplifier label	1
2	W119-759-000	20511605A041	Amplifier power label	1
3	W119-758-000	20511605A040	Adapter label	2
4	W119-719-000	20541804C019	P3&P4 card reader power label	1
5	W119-728-000	20541804C028	P1&P2 card reader power label	1
6	W119-732-000	20541804C034	Monitor power label	1
7	W119-727-000	20541804C027	Lubricate regularly label	2x4
8	W119-720-000	20541804C020	Installation instruction	1
9	W119-709-000	20541804C009	Wiring label	1
10	W119-731-000	20541804C033	AAMA wiring instruction label	1x4

### 9.11 Electrical Components



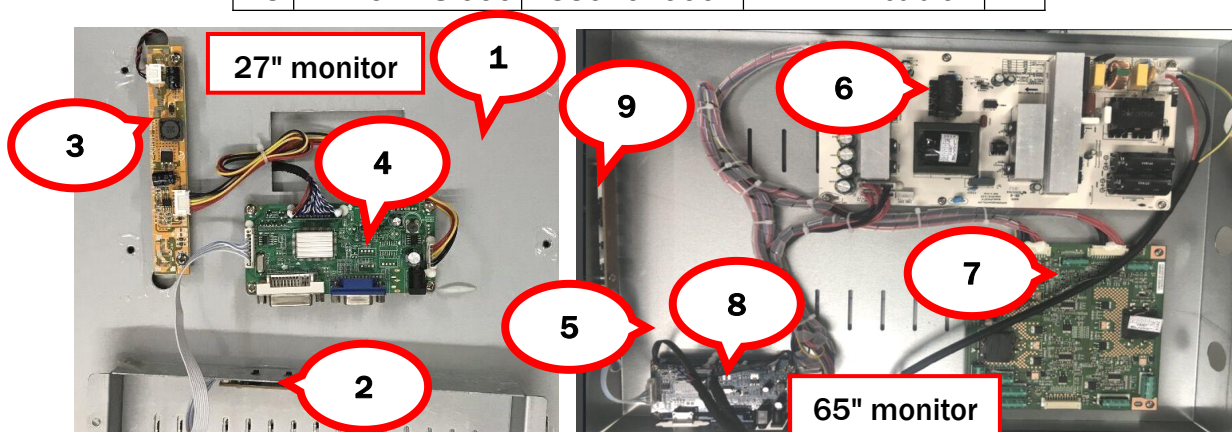
No.	Part No.	Code	Name	Qty
1	W119-430-001	22006012009	B2835W light strip(white)	9.9in (250mm)
2	W119-430-001	22006012009	B2835W light strip(white)	19.7in+13.8in (500mm+350mm)
3	W119-430-001	22006012009	B2835W light strip(white)	7.9in+9.9in (200mm+250mm)
4	W119-430-001	22006012009	B2835W light strip(white)	7.9in+13.8inx2 (200mm+350mmx2)
5	W119-480-000	21201027008	27" LCD monitor	1
6	W119-444-000	20841804002	65" LCD monitor	1
7	W119-438-001	22002016044	B5050 light strip	104.3inx2(2650mmx2)
8	W119-438-001	22002016044	B5050 light strip	17.7inx2 (450mmx2)
9	W119-433-000	21107040026	Camera	1
10	W119-431-001	22006012010	B2835B Light strip(blue)	92.5in (2350mm)
	W119-439-001	22002016042	B5050W light strip(white)	90.6in (2300mm)
11	W119-438-001	22002016044	B5050 light strip	45.2inx4(1150mmx4)
12	W119-438-001	22002016044	B5050 light strip	29.5inx4 (750mmx4)

**NOTE:** The installation of the Card reader is to be completed by each individual location. (Not included)

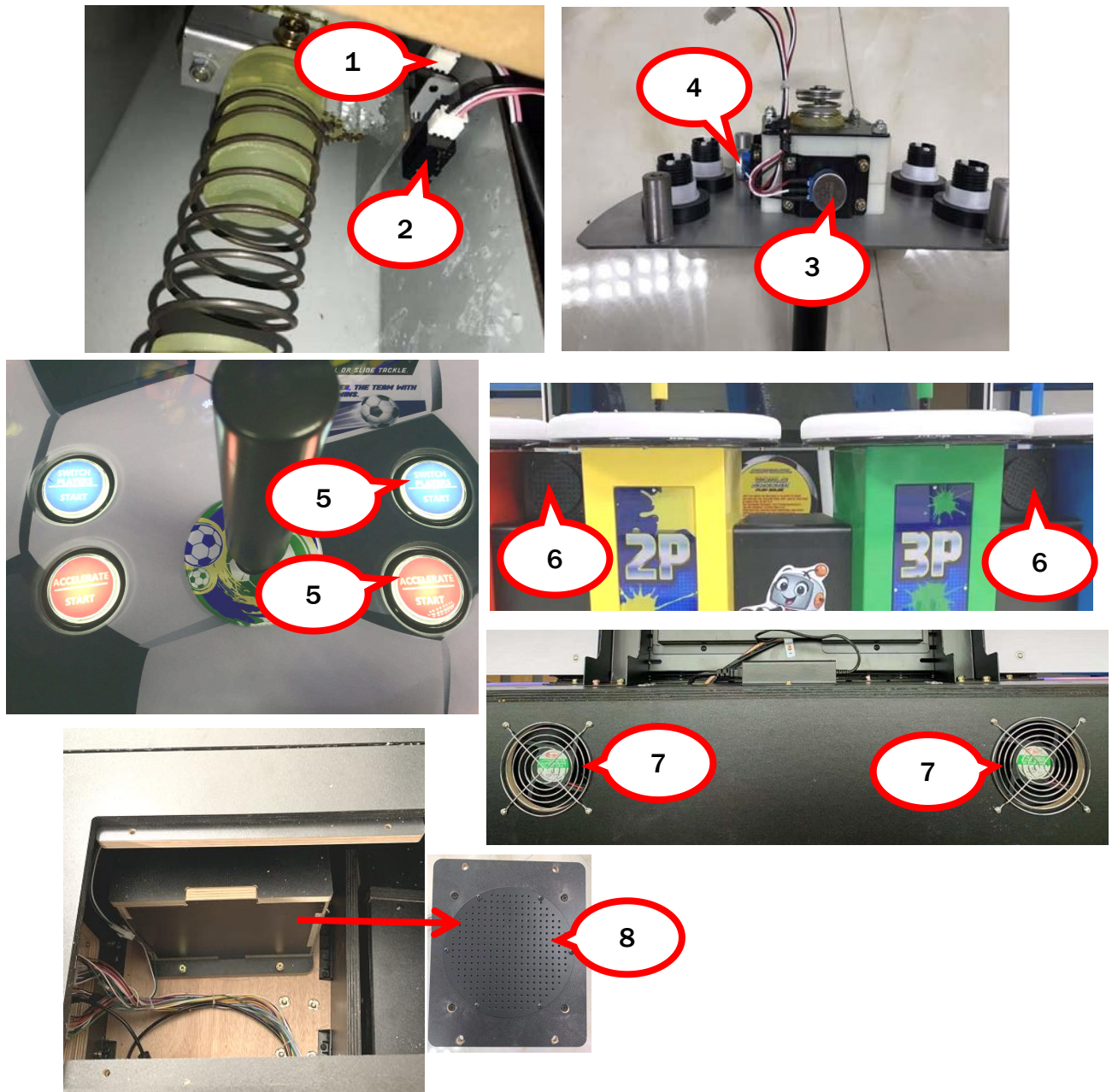


No.	Part No.	Code	Name	Qty
1	W119-435-000	21102000075	PC	1
	W119-401-000	23301050002	Power cord	1
	W119-461-000	21107220012	Main board	1
	W119-462-000	21107190026	CPU	1
	W119-463-000	21107090014	Memory	1
	W119-464-000	21107060006	Hard disk	1
	W119-465-000	21107170012	PC power supply	1
	W119-466-000	21107070008	PC case fan	1
	W119-467-000	21107070007	CPU fan	1
	W119-468-000	21107270004	PC case	1
	W119-469-000	21107030096	Video card	1
2	W119-417-000	22702010025	Fan	1
	W119-418-000	22702000010	Fan net	1
3	W119-401-000	23301050002	Power cord	1
4	W119-442-000	20741804001	Dongle	1

No.	Part No.	Code	Name	Qty
5	W119-440-000	41300000007	Recovery stick	1
6	W119-447-000	23309000282	Cable set	1
7	W119-422-000	23305000011	Audio cable	1
8	W119-441-000	23304000100	Dongle cable	1
9	W119-449-000	21603000027	Adapter	1
	W119-402-000	23301050001	Power cord	1
10	W119-404-000	23304010028	Extended cable	2
11	W119-405-000	23304000028	Extended cable	1
12	W119-429-000	23307010001	Cable	1
13	W119-428-000	23307020001	DVI-DVI cable	1

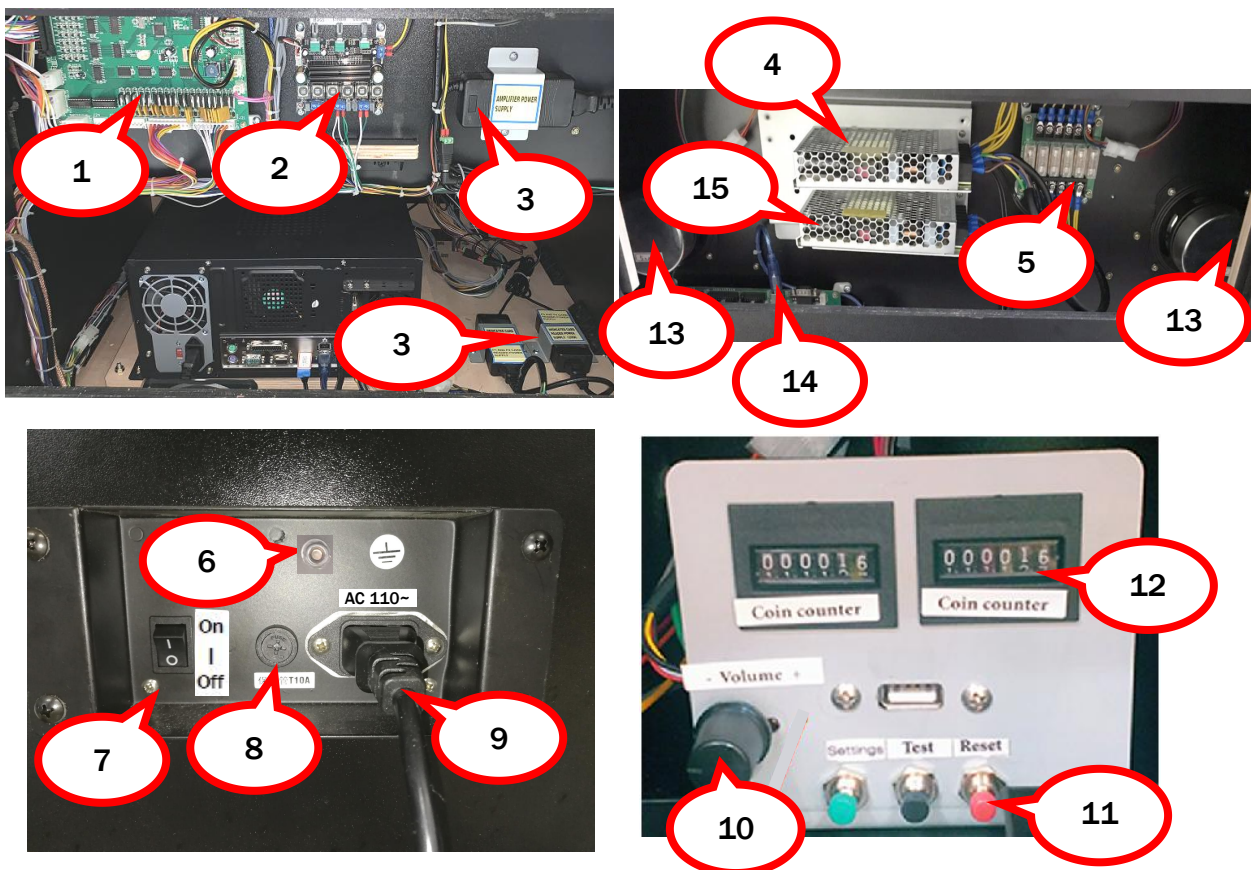


No.	Part No.	Code	Name	Qty
1	W119-470-000	26601090401	Chassis assembly of 27" monitor	1
2	W119-471-000	26601090410	5-key board	1
3	W119-472-000	26601090393	Constant current board	1
4	W119-473-000	26601090392	Driver board	1
5	W119-474-000	26601090402	Chassis assembly of 65" monitor	1
6	W119-475-000	26601090395	Power board	1
7	W119-476-000	26601090409	Constant current board	1
8	W119-477-000	26601090394	Driver board	1
9	W119-471-000	26601090410	5-key board	1



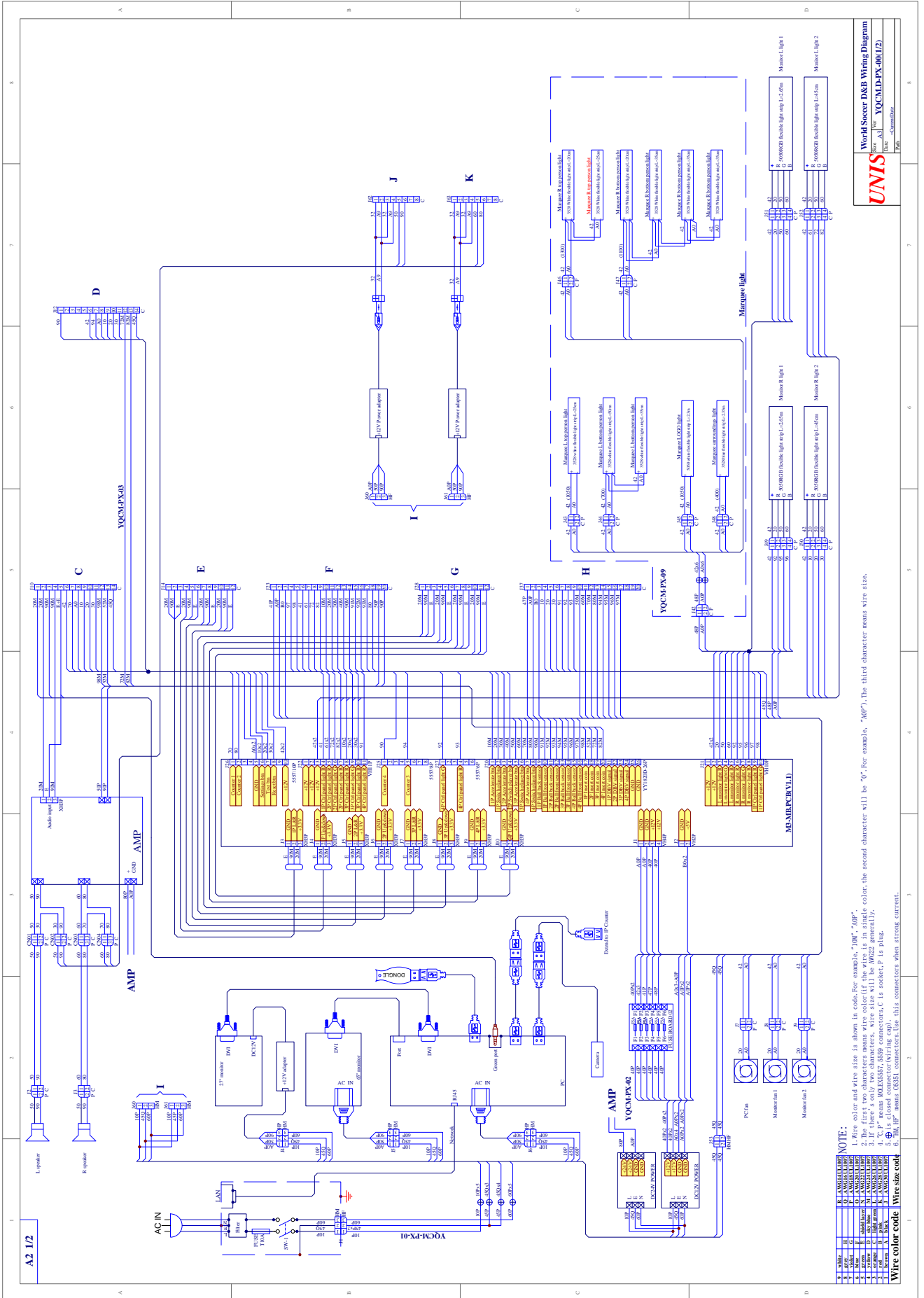
No.	Part No.	Code	Name	Qty
1	W119-434-000	21501000051	Sensor(front)	1x4
2	W119-434-000	21501000051	Sensor(back)	1x4
3	W119-443-000	22501000030	5K POT(L&R)	1x4
4	W119-443-000	22501000030	5K POT(front&back)	1x4
5	W119-415-000	22401030006	Button	4x4
	W119-432-000	22604000006	Micro SW	4x4
	W119-408-000	22003000006	LED bulb	4x4
6	W119-478-000	22801000085	Speaker	2
	W119-161-000	20241804C028	Speaker net	2
7	W119-417-000	22702010025	Fan	2
	W119-418-000	22702000010	Fan net	2
8	W119-437-001	22801000001	Woofer	1
	W119-160-000	20241804C025	Woofer net	1



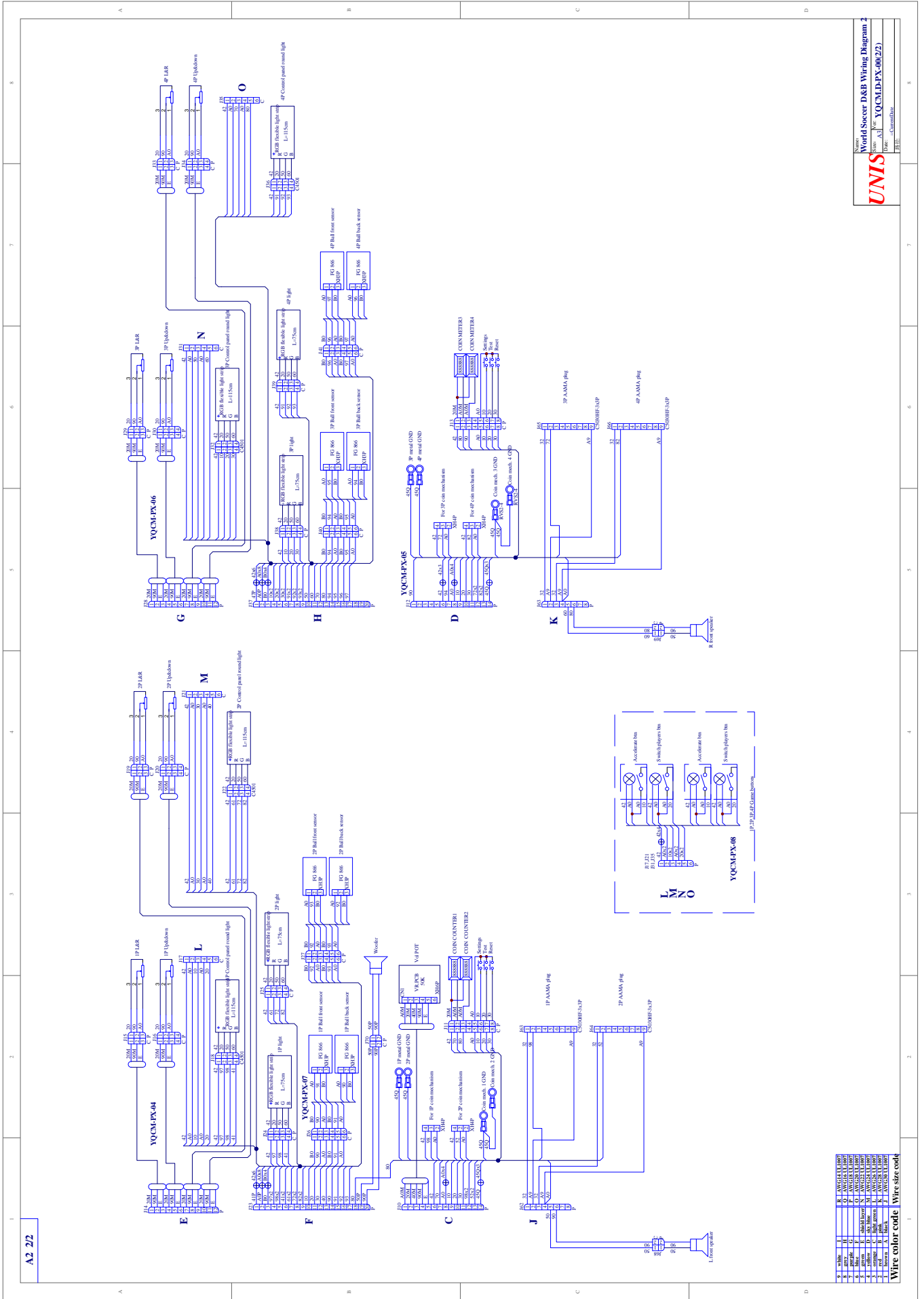


No.	Part No.	Code	Name	Qty
1	W119-424-000	29791300001	M3 main board	1
2	W119-436-000	22803010010	Amplifier board	1
3	W119-449-000	21603000027	Adapter	2
	W119-401-000	23301050002	Power cord	2
	W119-446-001	23301040022	Cable joint	2
4	W119-416-000	21602000094	Power supply	1
5	W119-414-000	21714000148	Fuse board	1
6	W119-409-000	21412000001	Binding post	1
7	W119-413-000	22601000005	Rocker SW	1
	W119-411-000	21901000013	Fuse	1
8	W119-410-000	21902000006	Fuse bracket	1
	W119-412-000	23201000001A	Filter	1
9	W119-805-000	23301010020	Power cord	1
	W119-419-000	29791400001	POT connective plate	1
10	W119-421-000	22403000001	POT	1
	W119-425-000	22402030002	Button(green)	1x2
11	W119-426-000	22402010002	Button(red)	1x2
	W119-427-000	22402050001	Button(black)	1x2
12	W119-420-000	23000000006	Counter	2x2
13	W119-478-000	22801000085	Speaker	2
14	W119-403-000	23304000098	Cable	1
15	W119-479-000	20291504Y017	Power supply	1

# 10.WIRING DIAGRAM



**UNIS**  
 World Soccer D&B Wiring Diagram  
 Part No. A3  
 for YOCM-PX-00(1/2)  
 Page 1 of 1



Name: **Word Soccer D&B Wiring Diagram 2**  
 Drawn by: **UNIS**  
 Date: **03/01/2022**  
 For: **YQCM-PX-06(22)**  
 Checked by: **UNIS**  
 Title: **Wiring Diagram**