



IMPORTANT



Be Sure
to Read this
Manual
Before Use

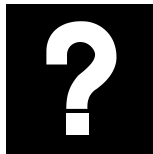


UNIS TECHNOLOGY

NOTE: Some portions of assembly may require additional assistance.

Operation Manual

WE ARE HERE TO ASSIST For parts and service




Have Questions? Contact us!

<p>UNIS SERVICE CENTER</p> <p>Tel: 972-241-4263</p> <p>Email: service@unispartsandservice.com</p> <p>www.unispartsandservice.com</p>

When contacting Service, you will need the following information and the name of your authorized distributor.

Suitable for Indoor Use Only	
NAME: Wicked Tuna D&B	POWER: 650-870W
MODEL: C-703	FREQUENCY: 60Hz
VOLTAGE: AC110V ~	DATE:
S/N:	
Guangdong UNIS Technology Co.,Ltd.	
FOR YOUR SAFETY – READ OPERATION MANUAL BEFORE SERVICING – INDOOR USE ONLY	
Pour des raisons de sécurité, lisez le manuel d'utilisation avant de procéder à l'entretien.	
Utilisation intérieure seulement	



CONTENT

IMPORTANT SAFETY INSTRUCTIONS.....	3
1. SPECIFICATIONS.....	5
2. CONTENTS OF THE ACCESSORY KIT.....	6
3. PART NAME.....	7
4. SET UP & INSTALLATION.....	8
5. HOW TO PLAY.....	20
6. GAME OPTION.....	23
7. TROUBLESHOOTING.....	27
8.MAINTENANCE & INSPECTION.....	30
9. OVERALL CONSTRUCTION.....	38
10. WIRING DIAGRAM.....	70

Thank you for purchasing **Wicked Tuna D&B**. We hope you enjoy the product.

This manual contains valuable information about how to operate and maintain your game machine properly and safely. It is intended for the owner and/or personnel in charge of product operation. Carefully read and understand the instructions.

If you need any help during installation and setup please utilize this manual and troubleshooting guide. If the product fails to function properly, *non-technical personnel should under no circumstance attempt to service the machine*. Contact your distributor or manufacturer for help.

Before use, please read **IMPORTANT SAFETY INSTRUCTIONS**.

IMPORTANT SAFETY INSTRUCTIONS

To ensure the safe usage of this product, carefully read and understand these instructions before operating your game.

Save these instructions for future reference.

Use this product only as described in this manual. Other uses not recommended may cause fire, electric shock or personal injury. Unplug the game from the outlet when not in use, when moving from one location to another, and before cleaning/servicing.

Explanations which require special attention are indicated by signs of warning. Depending on the potential hazardous degree, the terms: **NOTE**, **NOTICE**, and **WARNING** are used.

NOTE: A NOTE indicates useful hints or information about product usage.

NOTICE: A NOTICE indicates potential damage to product and how to avoid the problem.

WARNING: A WARNING indicates a potential for product damage or serious personal injury.

It is important to understand the meaning of the following HAZARD SIGNS before continuing:

High Voltage and Shock Hazard:

High voltage can cause electric shock.
Turn off/unplug power before servicing.



High Temperature Hazard:

This part may cause scalding.
Do not touch. Surface may be hot.



No Touching Hazard:

This part may be hot or can cause electric shock.
Do not touch.



Use the following safety guidelines to help ensure your own personal safety and to help protect your equipment and surrounding environment from potential damage.

⚠️ This product is an indoor game machine. Do not install outdoors.

Avoid installing in the following places to prevent fire, electric shock, injury and/or machine malfunctioning:

- Places subject to rain/moisture, or places subject to high humidity.
- Places subject to direct sunlight, or places subject to extremely hot or cold temperatures to ensure that it is used within the specified operating range.
- Places where inflammable gas may be present or in the vicinity of highly inflammable/volatile chemicals or items that can easily catch fire.
- On unstable or sloped surfaces. The machine may topple or cause unforeseen accidents.
- Vicinity of fire exits, fire extinguishers etc that may block/prevent safety measures.

IMPORTANT NOTE:

ALL REPAIRS MUST BE DONE TO ORIGINAL MANUFACTURER SPECIFICATIONS. FAILURE TO DO SO VOID ALL WARRANTIES AND OPERATOR ASSUMES ALL RISKS.

Note: The contents of this manual may be updated without notice.

1. SPECIFICATIONS

Rated power supply: AC110V 50/60Hz;

Min. Power consumption: 650W

Max. Power consumption: 870W

Dimension: H132.8×W102.91×D70.78 in

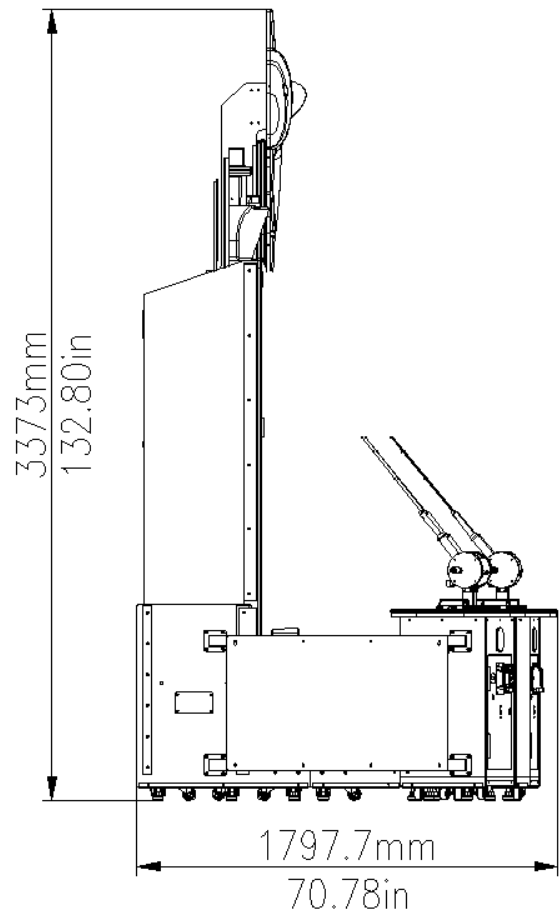
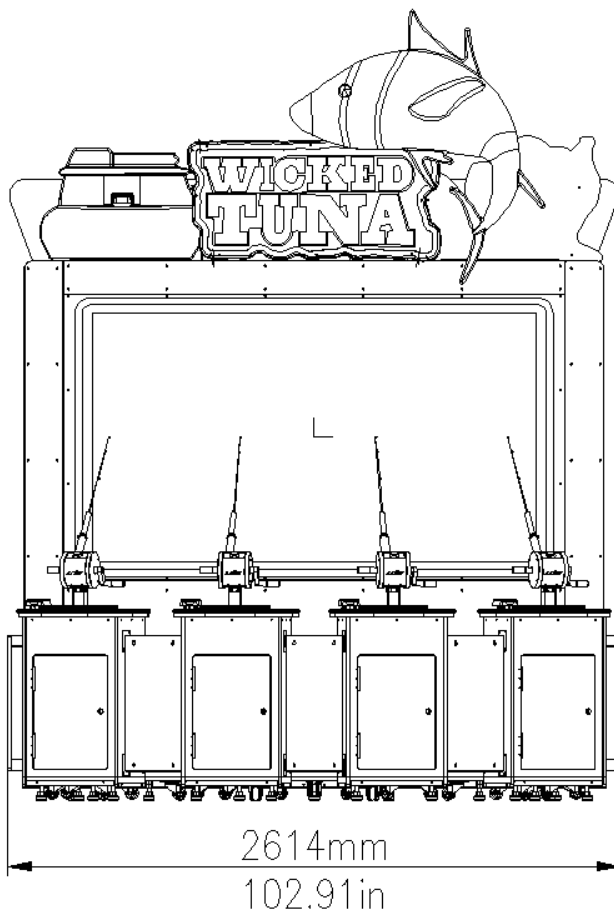
H3373×W2614 ×D1797.7 mm

Weight: Approximately 1719.60 lb/780 KG

Model No: C-703

Part No: W121

! **NOTICE:** After turning off the game, please wait at least 1 minute before restarting again.



Note: Game specifications are subject to change without notice.

2. CONTENTS OF THE ACCESSORY KIT

Open the package and make sure all the items are included:

Following accessories

No.	Part No.	Code No.	Name/SPEC	Picture	Qty
1	W121-1902-00	2.33.01.010020	Power cord 3×16AWG 1.8M		1
2	W121-1903-00	2.19.01.000004A	Fuse(T5A) Φ5×20mm T5A 250VAC (PSE)		3
3	W121-1904-00	2.19.01.000030B	Fuse(T10A) Φ5×20mm T10A 250VAC (PSE UL)		1
4	W121-1905-00	2.53.00171002	171A key		2
5	W121-1906-00	2.53.00172002	171B key		2
6	W121-1907-00	4.14.40000487	Manual D&B		1
7	W121-0105-00	2.51.08.070009	Wiring box 150cm, 80cm		4
8	W121-0109-00	206.4.2002.026	Rod 0.6m		4
9	W121-0111-00	5.05.00000027	IC ULN2083A DIP-18		4

NOTE: Part models are subject to change without notice.

3. PART NAME

Key Components



4. SET UP & INSTALLATION

⚠ NOTICE

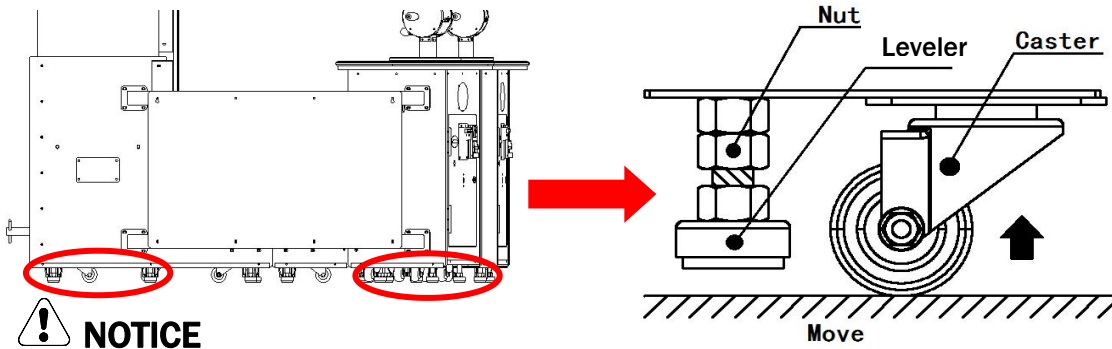
We do not recommend using power tools as they may cause damage.

⚠ **This product is an indoor game machine. Do not install outdoors.**

- Refer to IMPORTANT SAFETY INSTRUCTIONS (Pg. 3) for places to avoid.
- Place the unit on a dry level surface.
- Ventilation openings in the back of the unit must not be obstructed by objects or by wall.

4.1 Transporting the Game

If you need to move the game, adjust the levelers back to an “up” position.



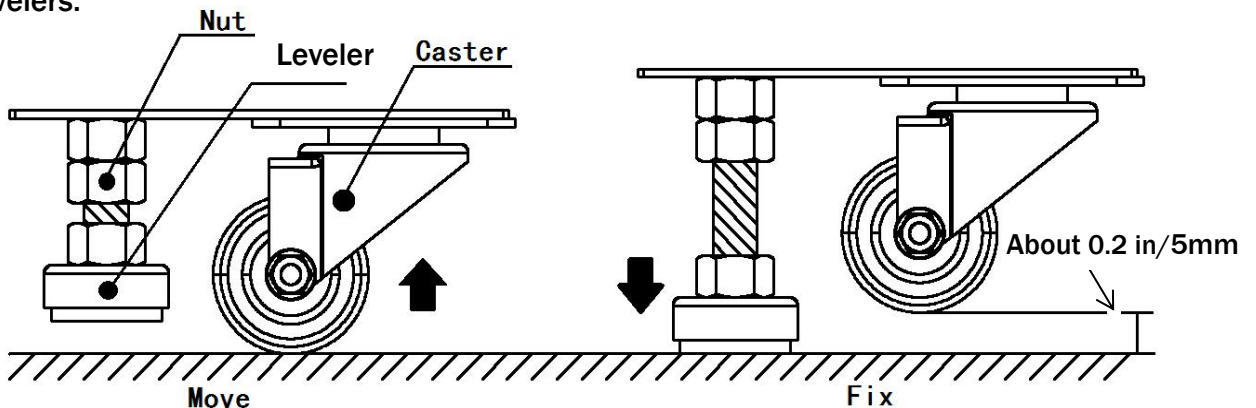
⚠ NOTICE

- Be careful not to damage the machine during transport.
- Always unplug the game before moving.
- Keep the machine in upright position during transport.
- For longer distance transport, package the game properly to prevent damages.

4.2 Level Adjustment

Install this game on a flat surface. If the game is installed on an unsuitable floor, it could cause game malfunction.

To secure the game, loosen the nut, utilize wrench to adjust the leveler down until it touches the floor, lifting the casters off the ground by 0.2 in/5mm. Repeat the same for all levelers.



⚠ NOTICE

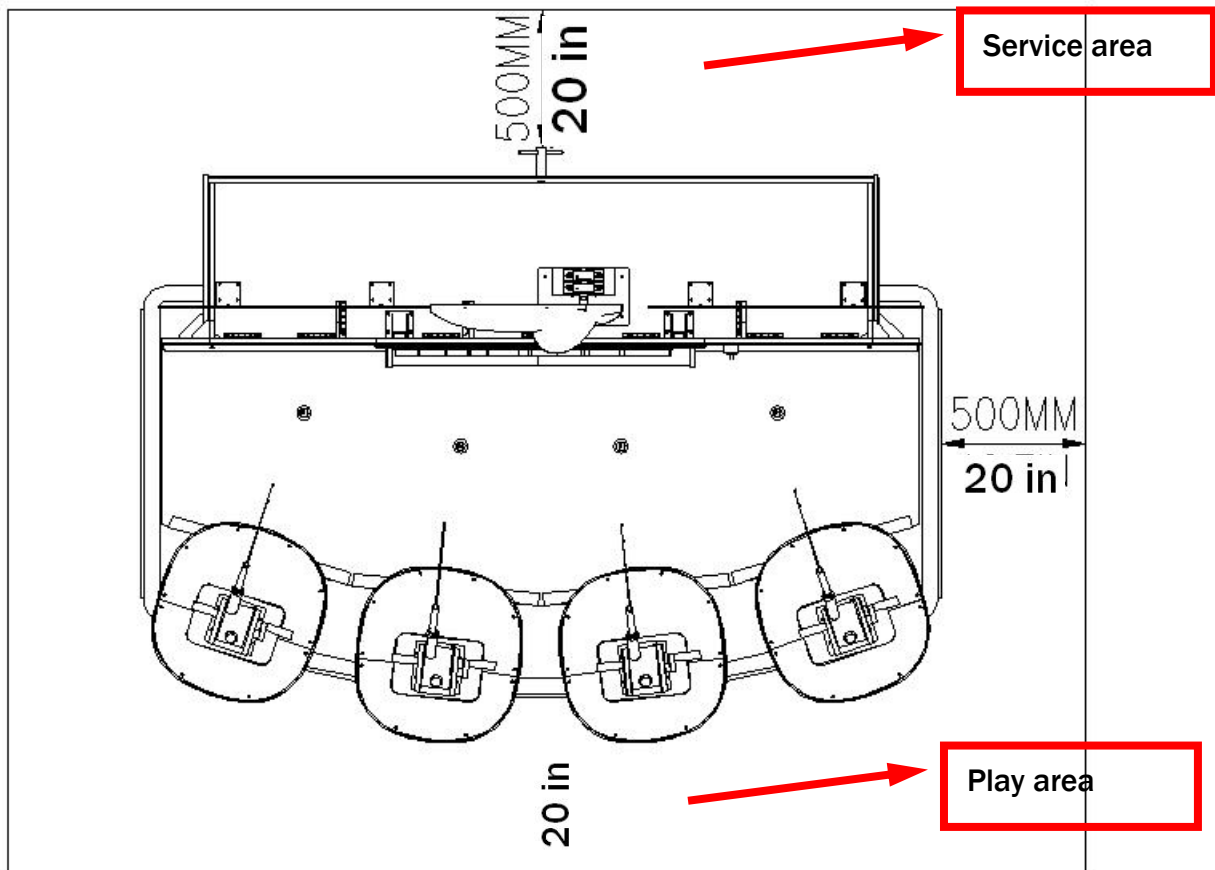
Make sure the machine is level.

4.3 Play Zone

This machine requires space for playing and for maintenance as shown below.

Leave space around the game upon installation:

Service area: 20 in




NOTICE

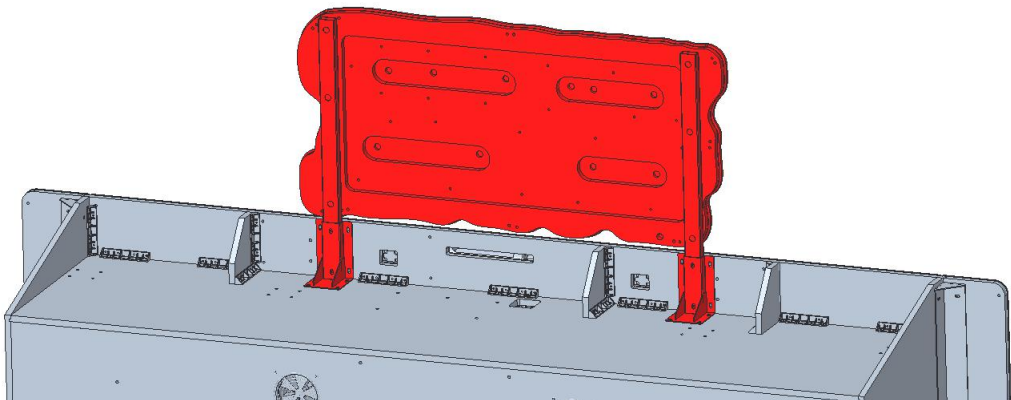
Your unit must be leveled to operate properly.

4.4 Machine Installation

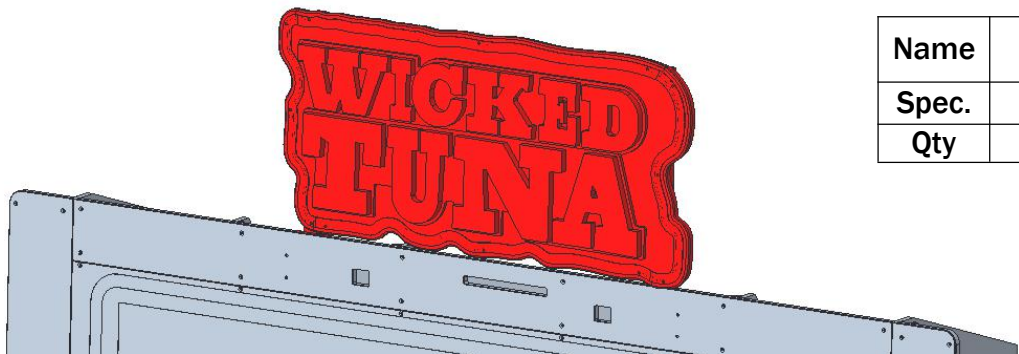
Before processing with assembly assure you have the following tools.

No.	Name	Picture
1	Phillips screwdriver	

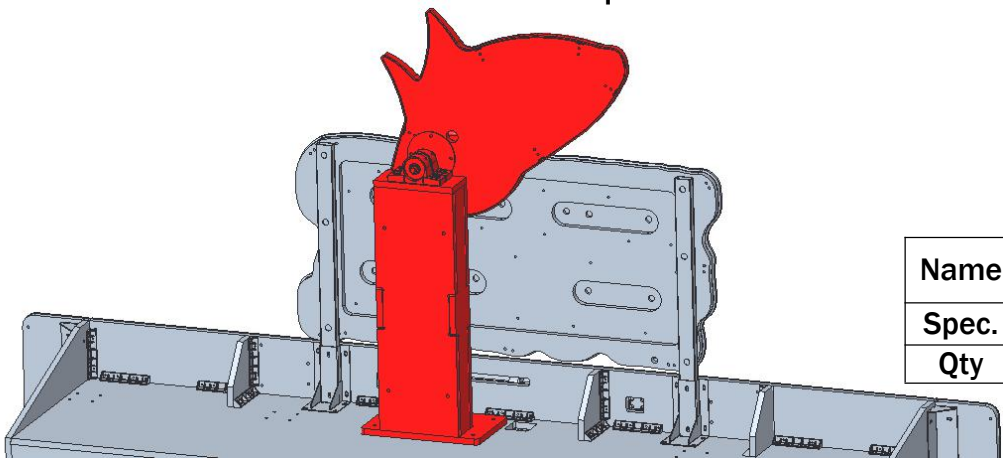
Step 1 Install LOGO marquee to the Monitor cabinet. Utilize screws to secure LOGO marquee to the Monitor cabinet.



Name	Cross recessed hexagon screw set
Spec.	M6×15
Qty	20

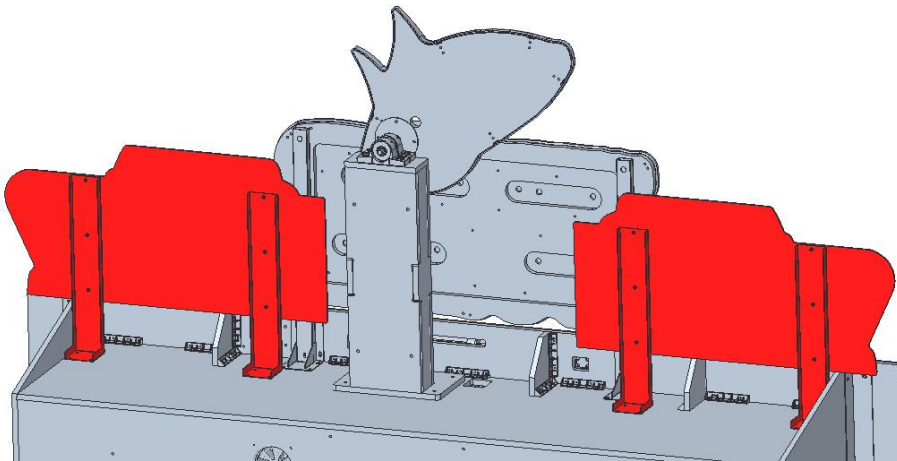


Step 2 Install Fish bracket to the back of the LOGO marquee. Utilize screws to secure the Fish bracket to the back of the LOGO marquee.



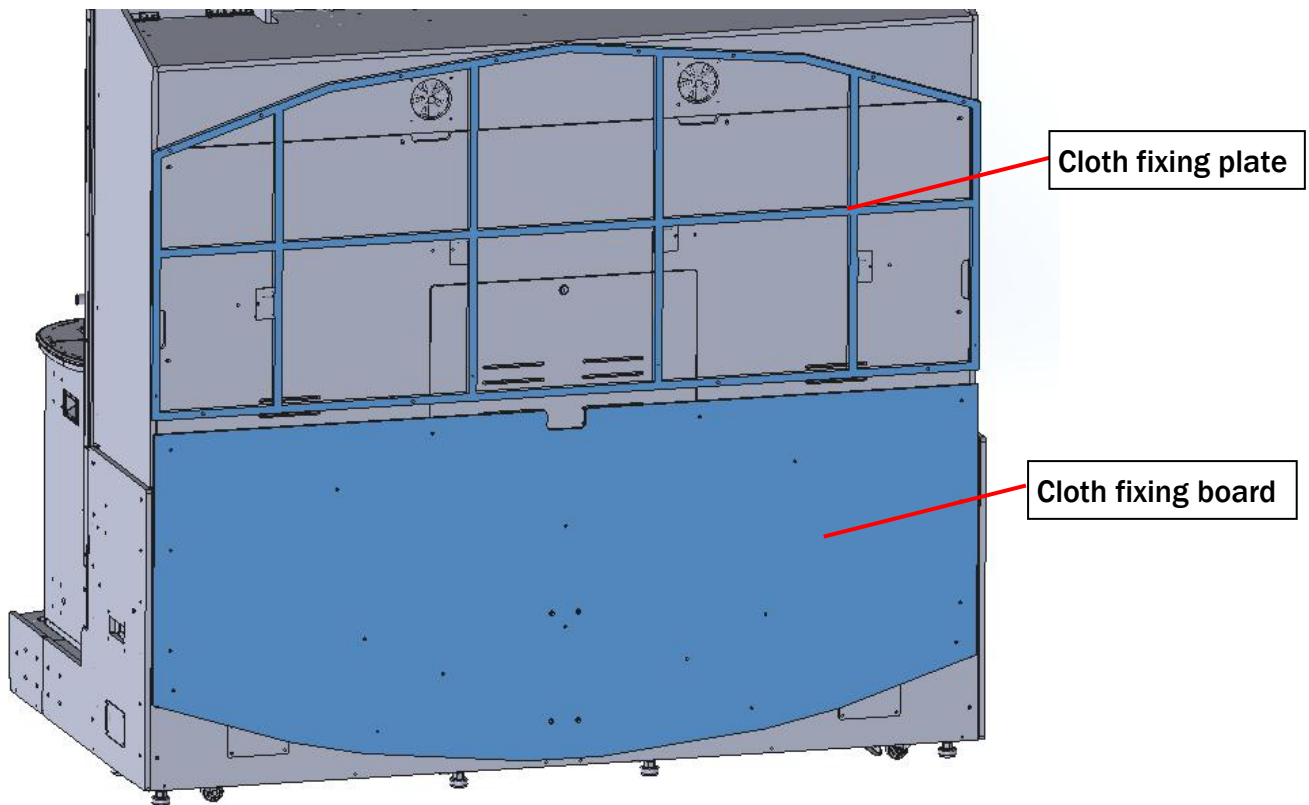
Name	Cross recessed hexagon screw set
Spec.	M6×35
Qty	5

Step 3 Install L&R side marquee to the Monitor cabinet. Utilize screws to secure L&R side marquee to the Monitor cabinet.

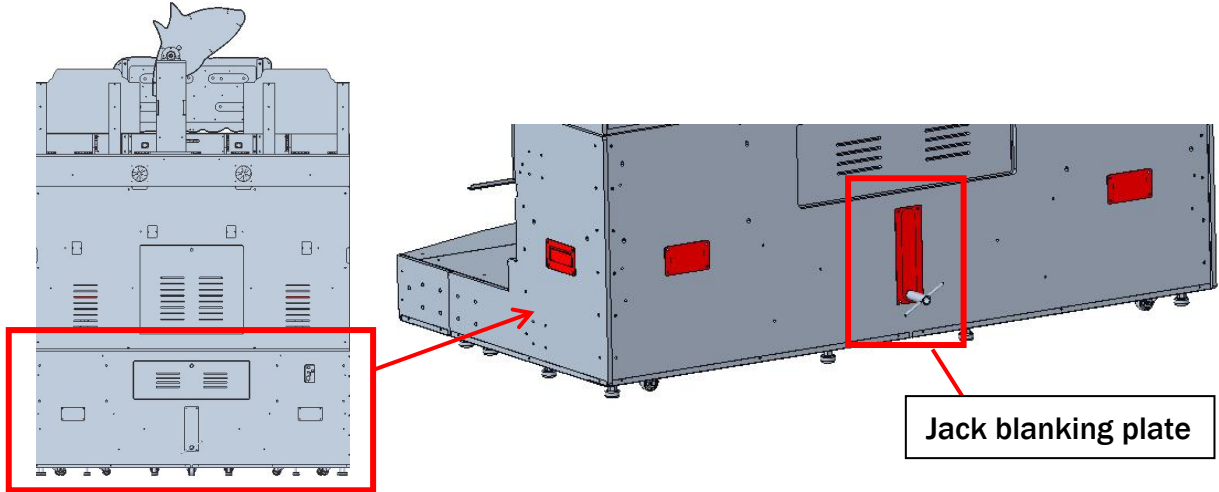


Name	Cross recessed hexagon screw set
Spec.	M5×16
Qty	16

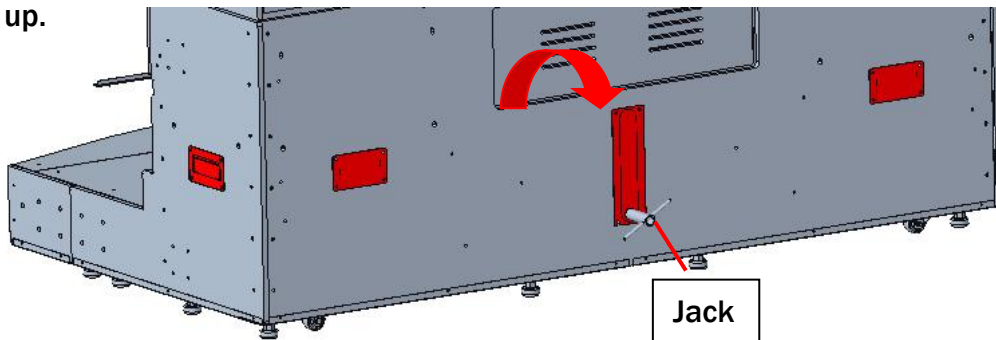
Step 4 Utilize Phillips screwdriver to loosen the screws to remove Cloth fixing board and Cloth fixing plate.



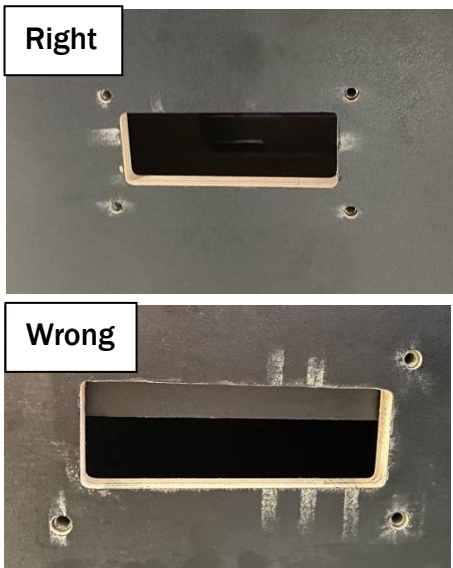
Step 5 Adjust the Monitor height. Loosen the screws to remove Jack blanking plate.



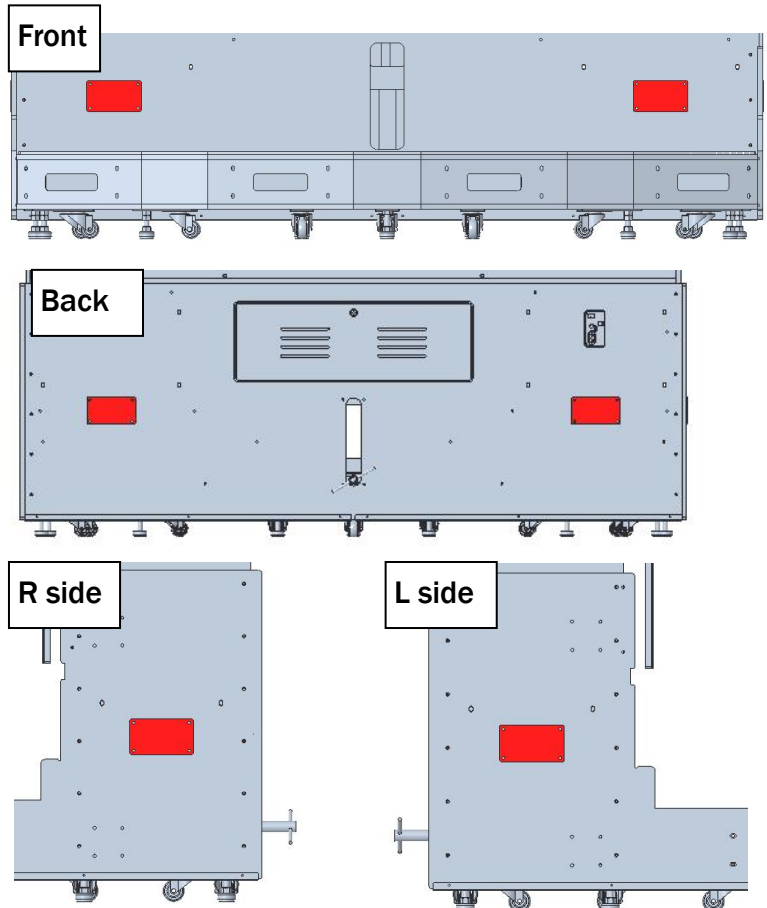
Step 6 Place Socket wrench to the Jack. Turn the Socket wrench clockwise to lift the Monitor up.



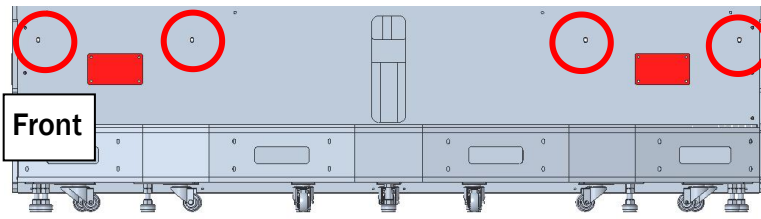
Step 7 When the Monitor rises to the alignment of the Back bottom board, place 6 Support boards to the Monitor cabinet as shown below. Utilize screws to secure the Support board.



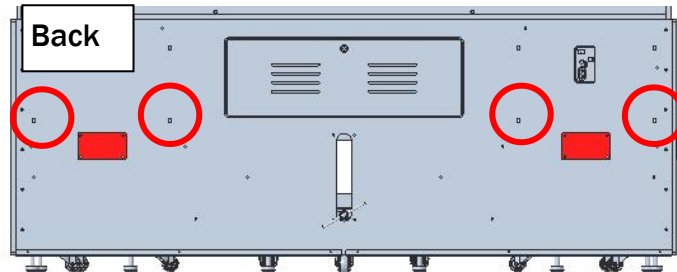
Name	Cross recessed hexagon screw set
Spec.	M6×20
Qty	24



Step 8 Utilize screws to secure the Monitor cabinet. Install the Jack blanking plate back.

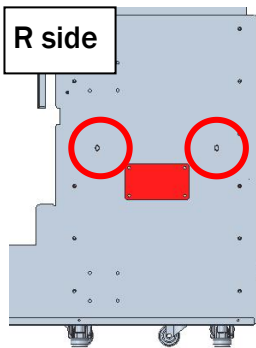


Front

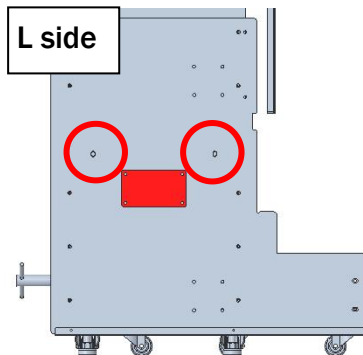


Back

Name	Cross recessed hexagon screw set
Spec.	M8×45
Qty	12

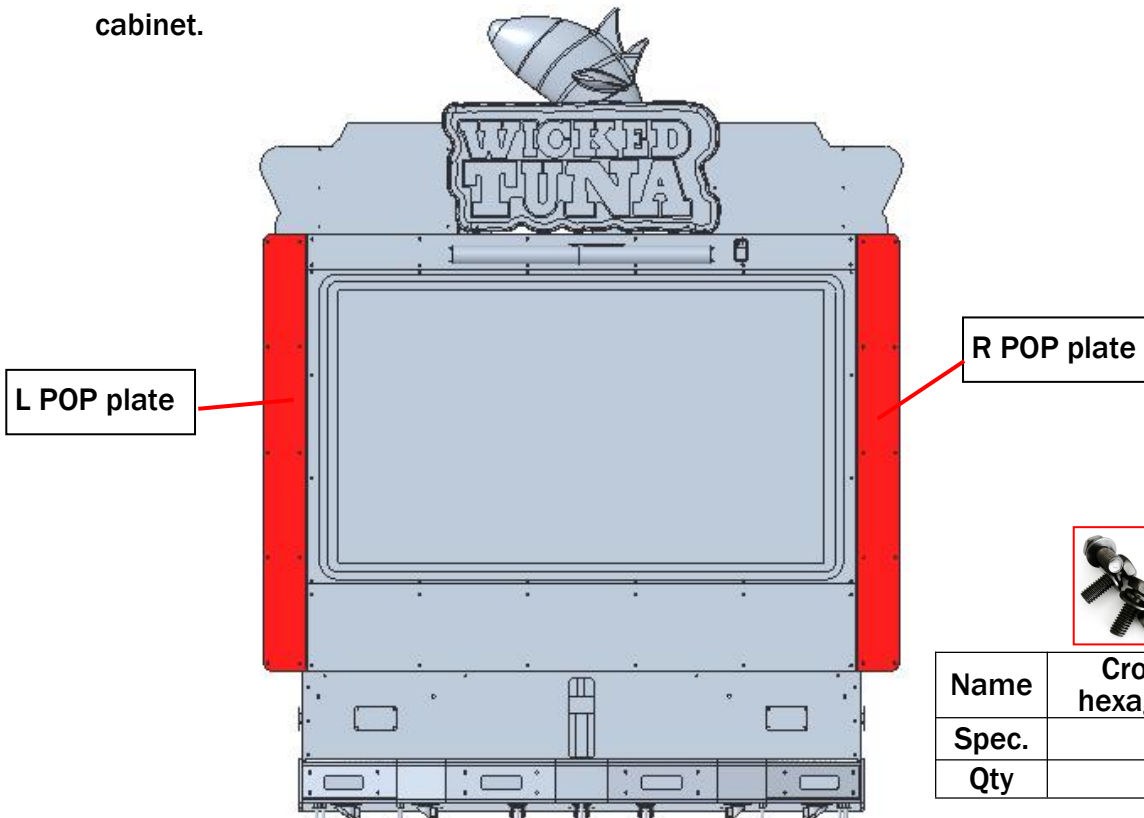


R side



L side

Step 9 Install L&R POP plate. Utilize screws to secure L&R POP plate to the Monitor cabinet.



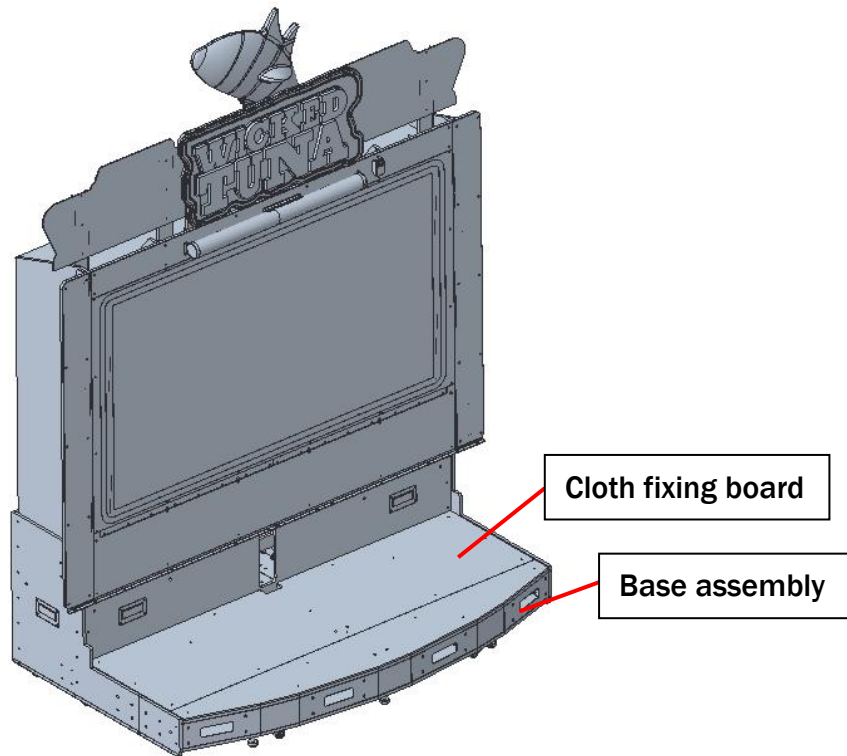
L POP plate

R POP plate

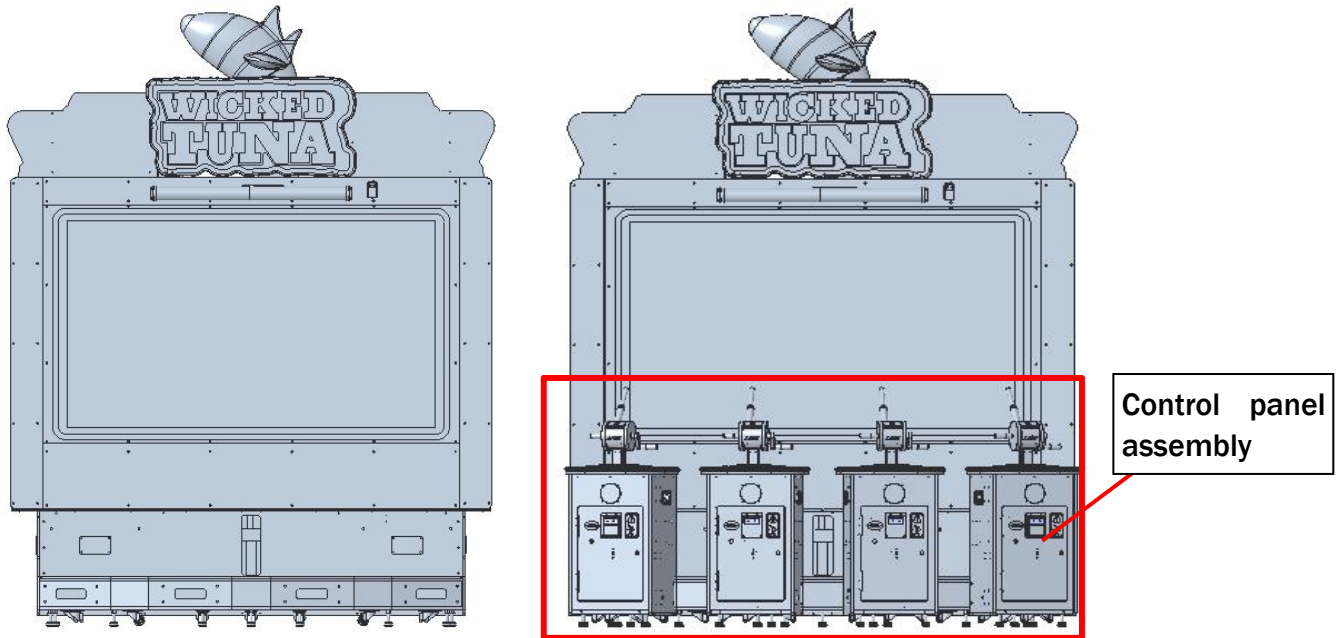


Name	Cross recessed hexagon screw set
Spec.	M5×16
Qty	12

Step 10 Install Cloth fixing board to the Base assembly.



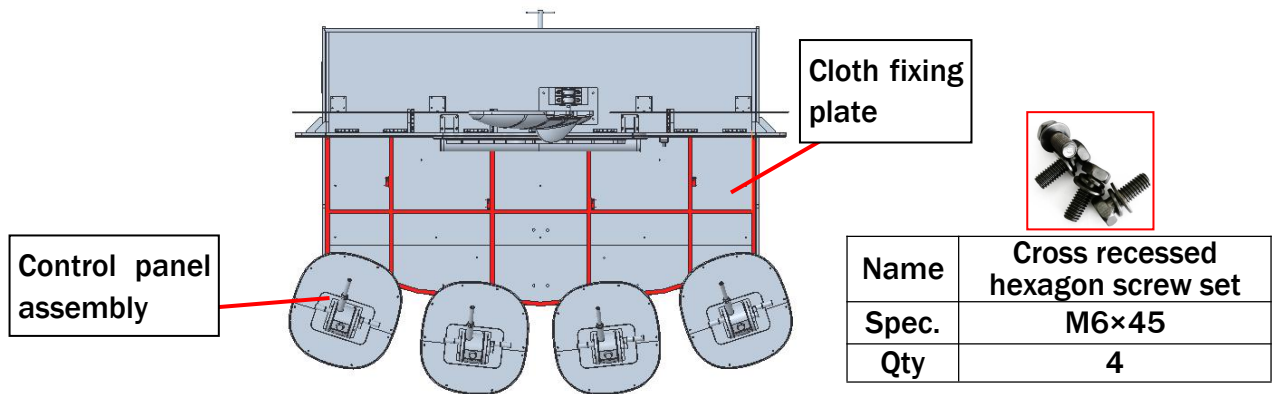
Step 11 Align the 4 Control panel assembly with the Base assembly. Connect the connectors. Utilize screws to secure Control panel assembly to the Base assembly



Name	Cross recessed hexagon screw set
Spec.	M6×45
Qty	16

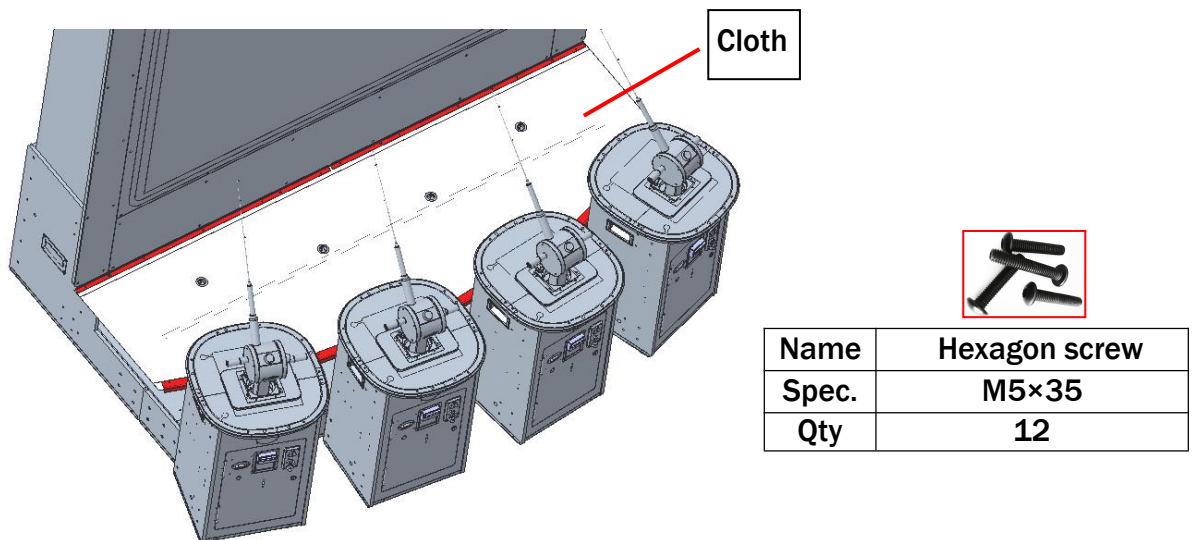


Step 12 Install Cloth fixing plate to the Control panel assembly. Utilize screws to secure the Cloth fixing plate to the Control panel assembly.



Step 13 Place Cloth to the Cloth fixing plate. Utilize screws to secure the Cloth to the Cloth fixing plate.

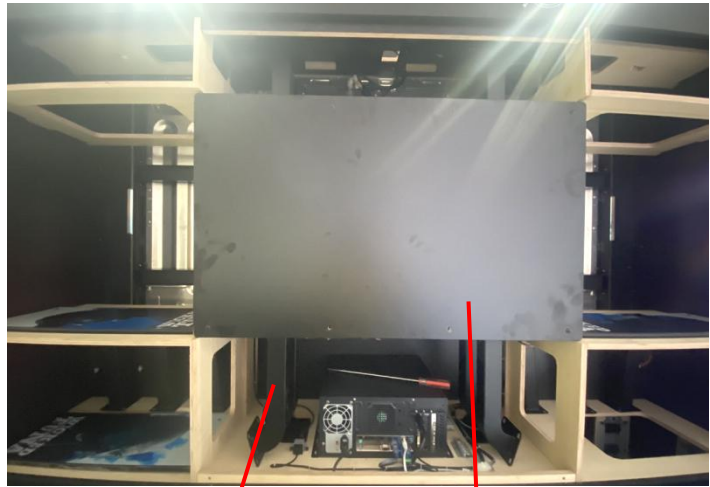
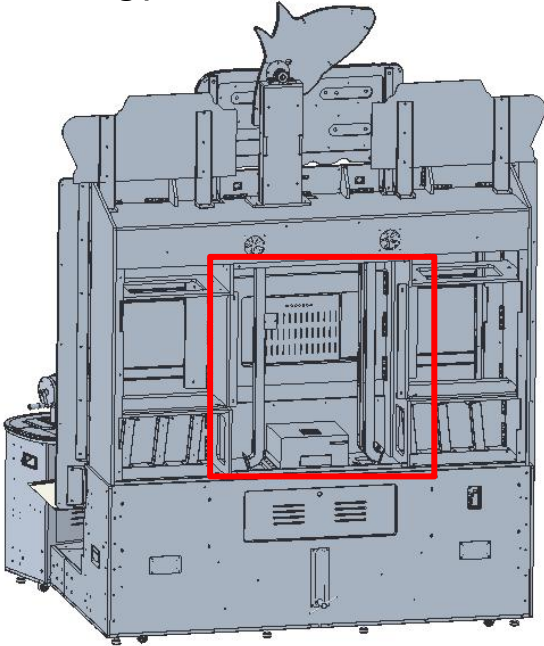
Note: Before secure the Cloth, please take the rod out.



Step 14 Locate Control panel fishing rod. Loosen the nut and insert the Rod in. Install the nut back.



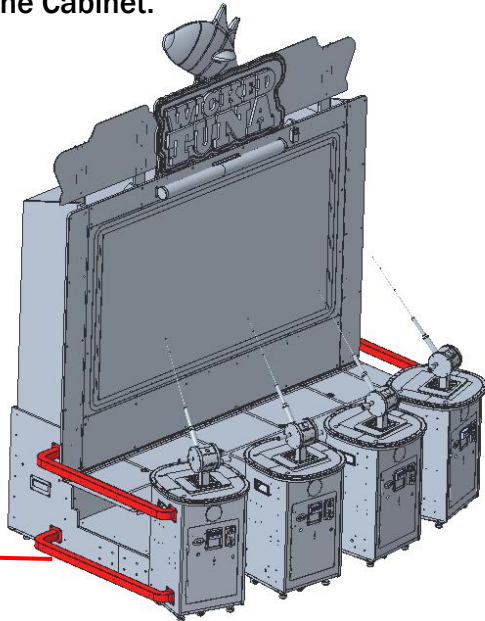
Step 15 Open the Back upper door. Loosen the screws to remove L&R fence and Fence fixing plate.



L&R fence

Fence fixing plate

Step 16 Install Fence fixing plate to the Cabinet side. Utilize screw to secure the Fence fixing plate to the Cabinet.

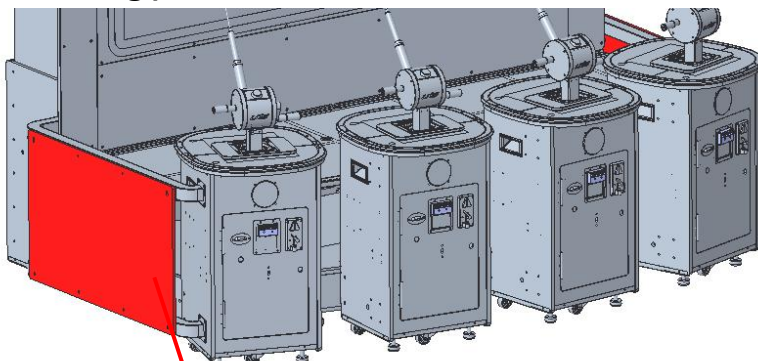


Fence fixing plate



Name	Cross recessed hexagon screw set
Spec.	M6×16
Qty	32

Step 17 Install L&R fence to the Fence fixing plate. Utilize screw to secure the L&R fence to the Fence fixing plate.

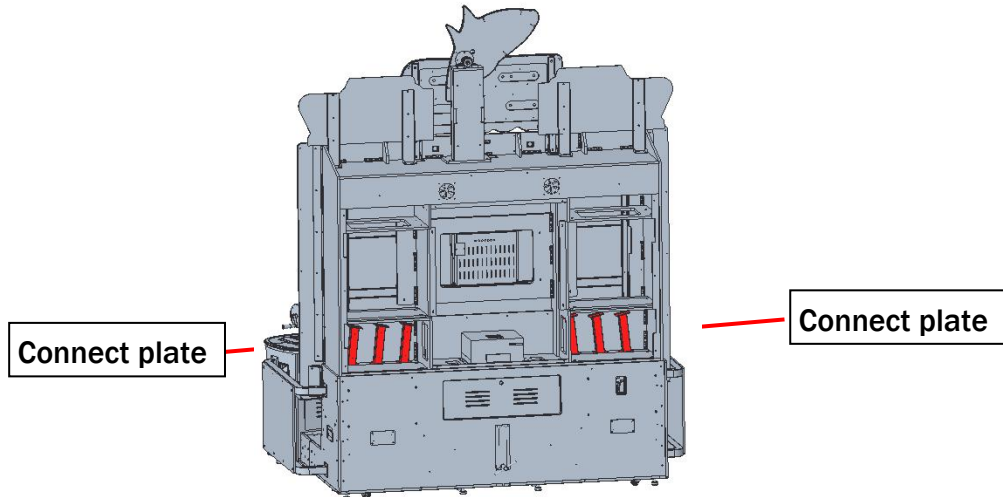


L&R fence



Name	Hexagon screw
Spec.	M5×25
Qty	16

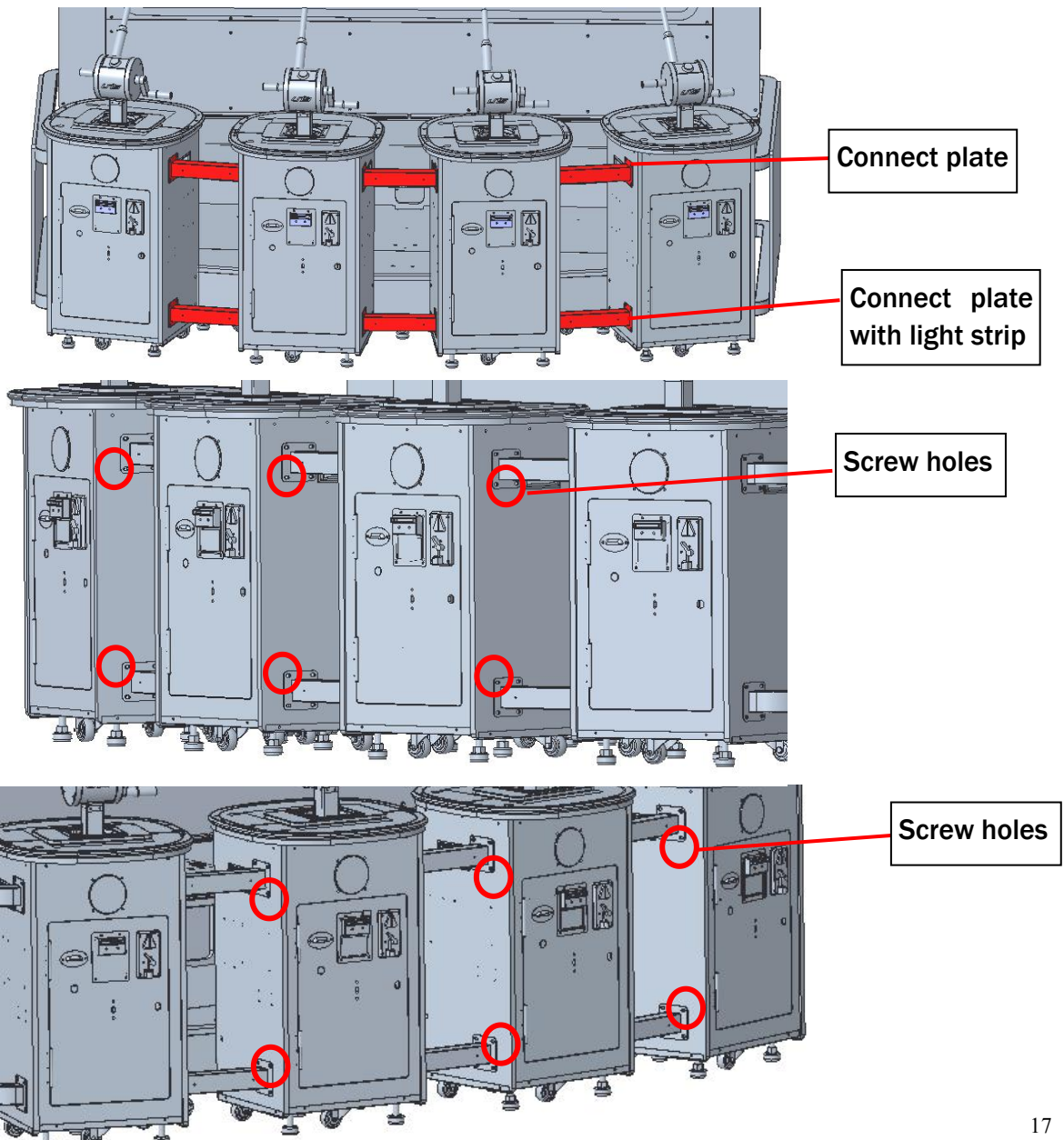
Step 18 Open Back upper door. Loosen the screws to remove Connect plate.



Step 19 Install Connect plate to the Control panel.

Note: 1. Connect plate with light strip please install on the bottom side.

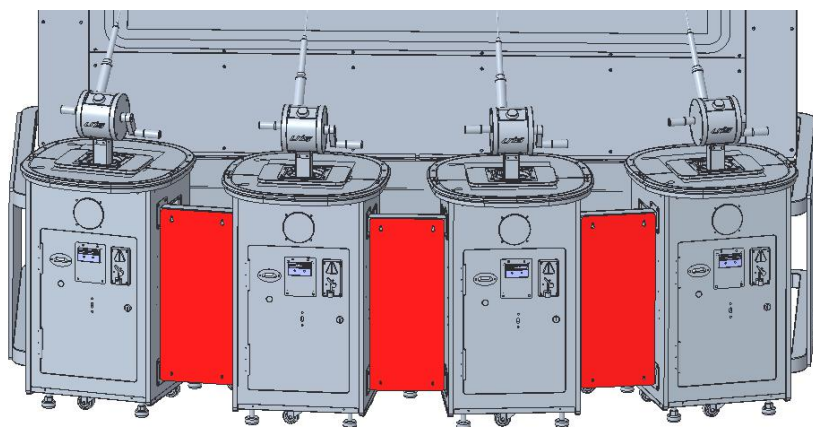
2. The screw holes circled in the picture do not need to be fixed with screws.



Step 20 Loosen the screws to remove Connect board.



Step 21 Install Connect board to the Control panel.



Name	Cross recessed hexagon screw set
Spec.	M6×20
Qty	12



Step 22 Install the Back upper door back. Finish!



4.6 Card Reader Installation Safety Notice

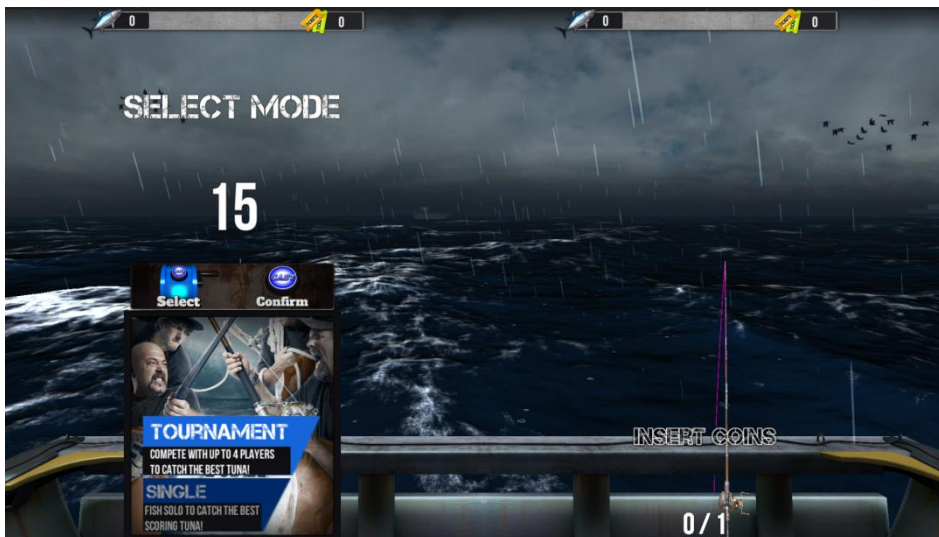


Take precaution to assure that all wiring voltages are confirmed prior to installation of card reader. All warranties are void if not properly installed resulting in logic board damage.

Important: This game is pre-wired to AAMA standards. It is highly recommended to utilize this wiring for Card reader installation.

5. HOW TO PLAY

5.1 Insert coins to play. Select game mode.



5.2 Select game level and captain. There are 5 captains to choose, each with different attribute.

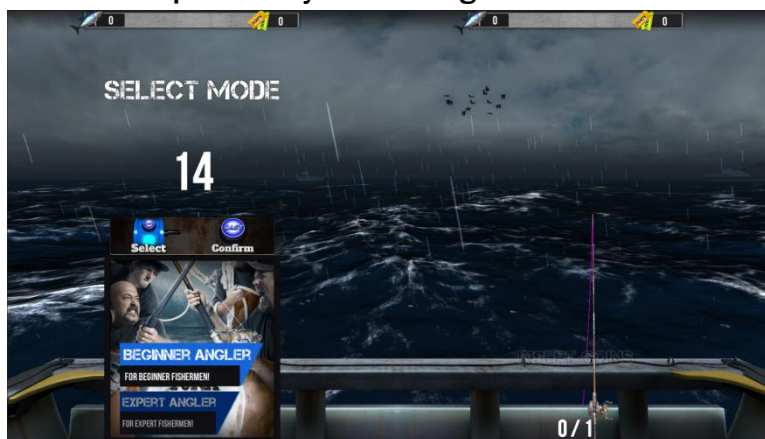
Strength(STR): Affect line speed

Experience(EXP): Affect fish biting rate

Speed (SPD): Affect line speed

Endurance (END): Affecting the speed at which fish struggle to escape

Lucky(LUK): Affects the probability of catching tuna



5.3 Press the CAST button to launch the rod.



5.4 Watch the Radar area. The fish icon in the Radar area represents different qualities of fish.

The left color bar represents the quality of fish in the corresponding area. The color bar can be divided into blue, green and yellow.

Blue has the lowest quality and yellow has the highest quality.

Press the CAST button to hook the desired fish.



5.5 Turn the handle, pull the rod and start to reel the fish in.



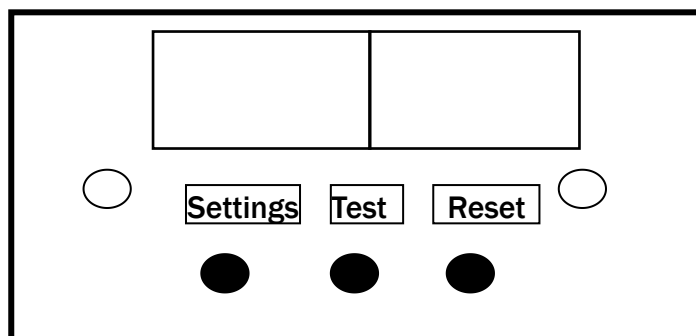


5.6 Catch the fish success will show the size and weight of the fish. If catch Tuna will be rated for meat quality.



6. GAME OPTION

6.1 Adjustment button instruction



Open the coin door and there is a meter panel. Press Settings button to enter the setting menu.

6.2 Setting menu

6.2.1 Main menu

Options
Game Setting
Input Test
Output Test
Resistance Setting
Shake Setting

Options
Rod Calibration
Game Reset
Language
Bookkeeping
Exit&Save
Exit

6.2.2 Game Setting

Options	Status	Description
Game Mode	Count/Time	
Coins/Play	1-50 coins play	
Difficulty	Easy/Normal/Difficult	Game level
Free Play	ON/OFF	
Rod Play	1-10 rod play	Rod play per game
Match Timer	30-600s	Match mode game time
Rate	5-100(Ticket/Play)	Ticket rate
Out Tickets Switch	ON/OFF	Ticket mode
Tickets Setting		Please refer to 6.2.2.1
Auto Start Timer	10-120s	Automatic rod casting time
Demo Timer	1-5min/OFF	Demo playing interval.
BGM Volume	0-200	
Sound Effect Volume P1	0-200	

Options	Status	Description
Voice Over Volume P1	0-200	
Alarm Sound Volume P1	0-200	
Sound Effect Volume P2	0-200	
Voice Over Volume P2	0-200	
Alarm Sound Volume P2	0-200	
Sound Effect Volume P3	0-200	
Voice Over Volume P3	0-200	
Alarm Sound Volume P3	0-200	
Sound Effect Volume P4	0-200	
Voice Over Volume P4	0-200	
Alarm Sound Volume P4	0-200	
Demo BGM	ON/OFF	
Pay Mode	Coins/Card/Insert Coins&Tap card	
Divide By 2	ON/OFF	
Out of tickets	Save in memory/Call attendant	
Trigger Alarm Sensitivity	0-100	In demo state, if someone control the fishing rod beyond this value, the machine will emit an alarm sound
Back		

6.2.2.1 Tickets Setting

Options	Status
Mercy Tickets	1-10
Rod Snapper	1-20
Mahi Mahi	1-50
Amberjack	1-20
Albacore Tuna	1-20
Bigeye Tuna	1-20
Yellow-fin Tuna	1-20
Short-fin Mako Shark	1-50
Alantic Sword Shark	1-50
Sailfish	1-50

Options	Status
Bluefin Tuna B	1-50
Bluefin Tuna A	1-100
Bluefin Tuna S	1-250
Shark	10-250
Goliath Grouper	100-500
King Marlin	100-500
Super Bluefin Tuna	250-1000
Back	

6.2.3 Input Test

P1 Coin in: Cast: Rod: Rolling:	P2 Coin in: Cast: Rod: Rolling:	P3 Coin in: Cast: Rod: Rolling:	P4 Coin in: Cast: Rod: Rolling:
Back			

6.2.4 Output Test

Resistance:			
P1 Shake:	P2 Shake:	P3 Shake:	P4 Shake:
P1 Rod Power:	P2 Rod Power:	P3 Rod Power:	P4 Rod Power:
P1 Btn Light:	P2 Btn Light:	P3 Btn Light:	P4 Btn Light:
P1 Out Ticket:	P2 Out Ticket:	P3 Out Ticket:	P4 Out Ticket:
Back			

6.2.5 Resistance Setting

Options	Status
Resistance Lvl	Easy/Normal/Difficult
Back	

6.2.6 Shake Setting

Options	Status
Shake Lvl	Normal/High/Low
Back	

6.2.7 Rod Calibration

Rod Calibration						
Move the Rod to the upper,lower, left and right limit positions.						
	X	Y	YMin	YMax	XMin	XMax
1P						
2P						
3P						
4P						
Back&Save						
Back						

6.2.8 Game Reset

Options
Reset Game Factory
Clear Records
Clear Tickets
Clear Coins
Clear Rod Calibration
Back

6.2.9 Bookkeeping

Player	Coins	Pay	Out Tickets	Return Rate(Tickets/Pay)
Back				

7. TROUBLESHOOTING



7.1 Common Problem

Please confirm that all connectors fit tightly.

Symptom	Possible Cause	Recommended action
Game will not start	Frame assembly connector is loose.	Check connector.
	Frame assembly fault	Contact with UNIS Service.
Power off	Circuit protector make power SW in off state.	Turn on power SW again. If appeared again and again, machine has anomaly. Please contact with UNIS Service.
Card reader not working	The connector is loose.	Check connector.
	Card reader fault.	Check with card reader manufacturer.
No ticket dispensing	Out of ticket.	Add ticket and press reset button
	Ticket jamming.	Remove the jammed tickets and press reset button.
	The connector is loose.	Plug the connector tightly.
No sound	Low volume	Raise the volume.
	Connector loose.	Check connector.
	Speaker fault.	Check speaker.
	POT installation error.	Install POT correctly.
	POT fault.	Change POT.
	Audio cable problem.	Reconnect the audio cable or change it.
	PC crash.	Restart or system recovery.
Driver problem	Restart the audio driver.	
Display black screen	Check connectors.	Plug in connector tightly
	Display fault.	Utilize another source such as a PC to verify if the display is operational.
	RAM is loose.	Remove and reinsert RAM.
Display blue screen	PC power cord is loose	Check PC power cord whether is loose.
	VGA signal cable is loose.	Check VGA cable
	PC video card is loose.	Reseat video card.
	“0X000000A” code appears. Conflict between computer drive and software.	Contact service

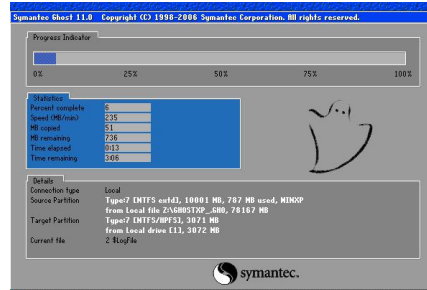
Note: After replacing component from PC (except for RAM), and replacing monitor, the game should be recovered again with the recovery stick attached to the machine.

If you see following error signs showing on the display, please try the recommended action.

Display	Possible Cause	Recommended action
 ROD UNCALIBRATED	Rod is not calibrate.	Re-calibrate the Rod.
 IO ERROR	The connection part of the IO board and PC are loose.	Check and reconnect the loose ports of the PC or IO board.
	Cable quality problem	Change the cable after checking the connection between IO board and PC.
	Cable became loose during transportation.	Check and reconnect the loose cables of the PC or IO board.
	IO board is faulty.	Reboot the game after checking connection and cable problem, if the problem remains unresolved, please call the service department for assistance.

7.2 System Recovery Operation **(NOTE: Do not disconnect power during this process.)**

1. Turn off the game. Remove the recovery stick from the machine. (Note: This process may take up to 60 minutes) Insert the recovery stick into the port at the back of the computer.
2. Restart PC to enter the system recovery screen as shown.



3. The game will automatically start recovery.
4. Once system recovery is partially finished (as shown below), and the ICON appears, remove the recovery stick from the computer. The game will continue the install process.

OK to remove the recovery stick.



5. Assure that the recovery stick has been properly secured for future use.



WARNING: The recovery stick should only be used to fix software errors. Using it for other purposes may cause unexpected results and damages.

8.MAINTENANCE & INSPECTION

8.1 Safety Check

Check the points listed before operating the machine. These checks are necessary for safe machine operation:

1. Test game before operation each day.
2. Conduct monthly routine checks of game components to ensure good working condition.
3. Check the machine regularly for dust and clean when necessary.

Note: Parts and components require preventative maintenance to maintain proper operation.

8.2 Handling Precautions

When installing or inspecting the machine, be very careful and pay attention to ensure that the player can enjoy the game safely.

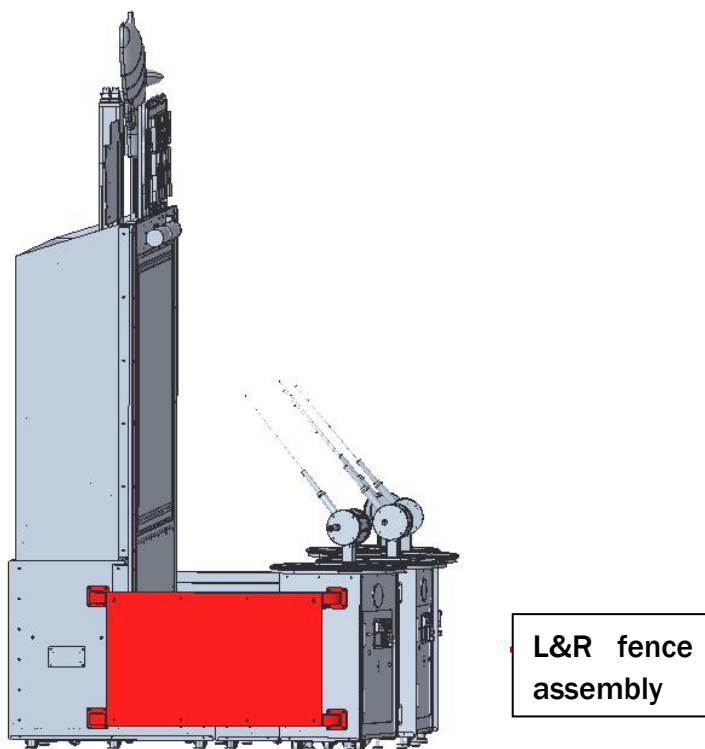
Inappropriate handling running counter to the cautionary matters can cause personal injury or damage to the machine.

 **NOTICE**

We do not recommend using power tools as they may cause damage.

8.3 Monitor Replacement Instruction

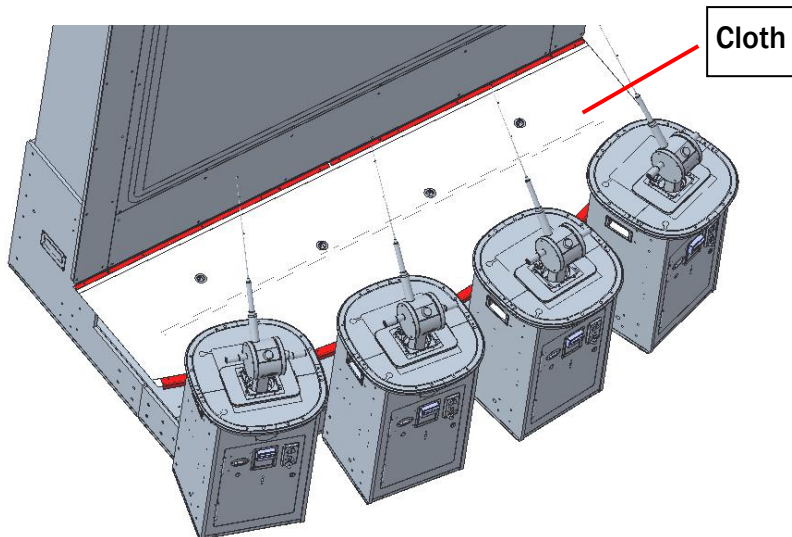
Step 1 Loosen the screws to remove L&R fence assembly.



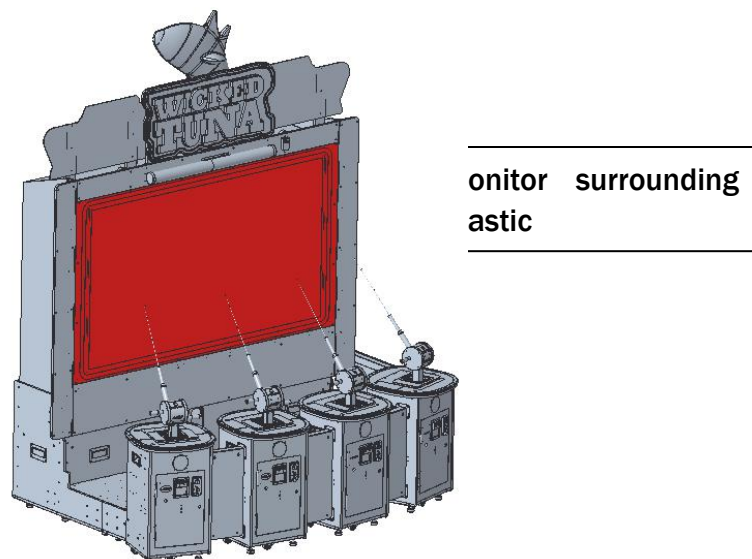
Step 2 Locate Control panel fishing rod. Loosen the nut and remove the Rod. Install the nut back.



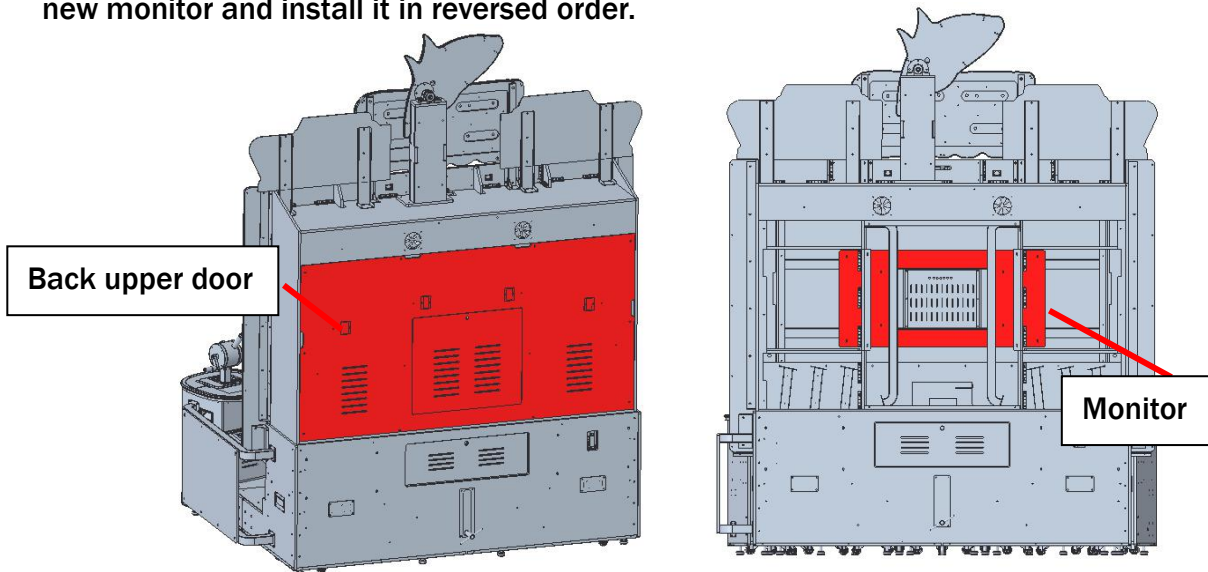
Step 3 Loosen the screws to remove Cloth.



Step 4 Loosen the screws to remove the Monitor surrounding plastic.

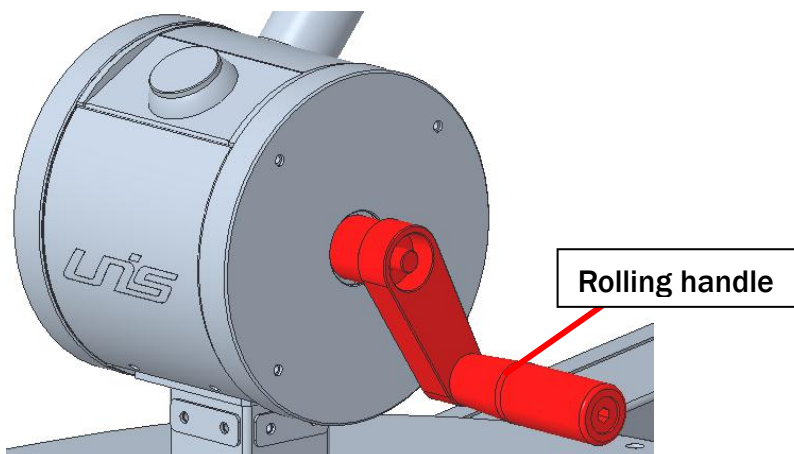


Step 5 open the Back upper door. Loosen the screws to remove Monitor. Replace it with new monitor and install it in reversed order.

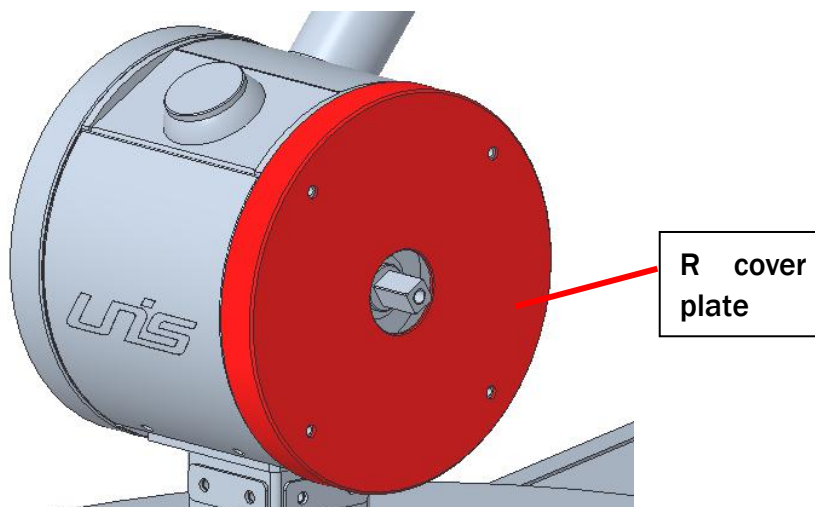


8.4 Sensor Replacement Instruction

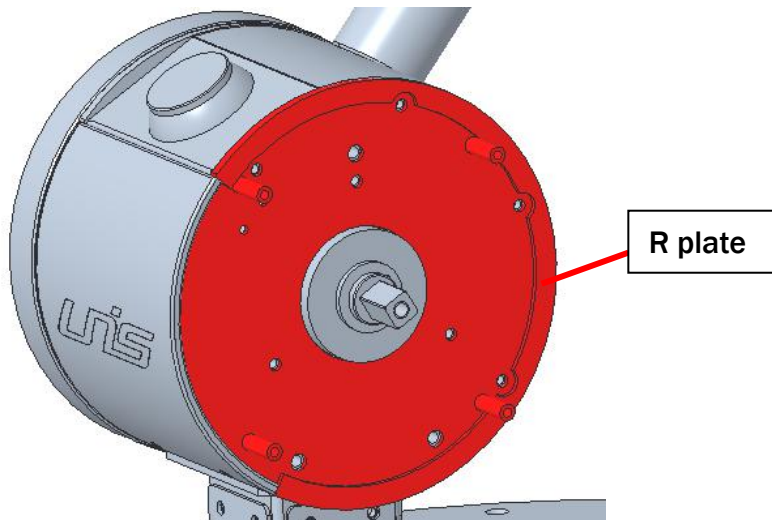
Step 1 Loosen the screw to remove Rolling handle.



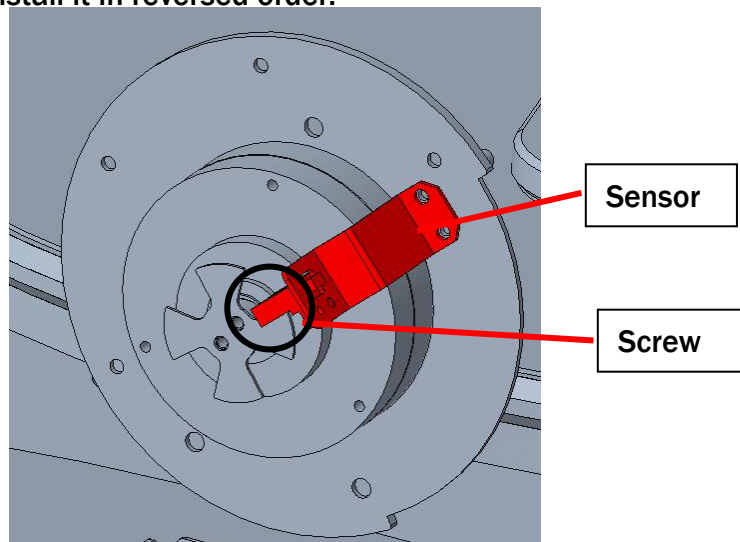
Step 2 Loosen screws to remove R cover plate.



Step 3 Loosen screws to remove the R plate.

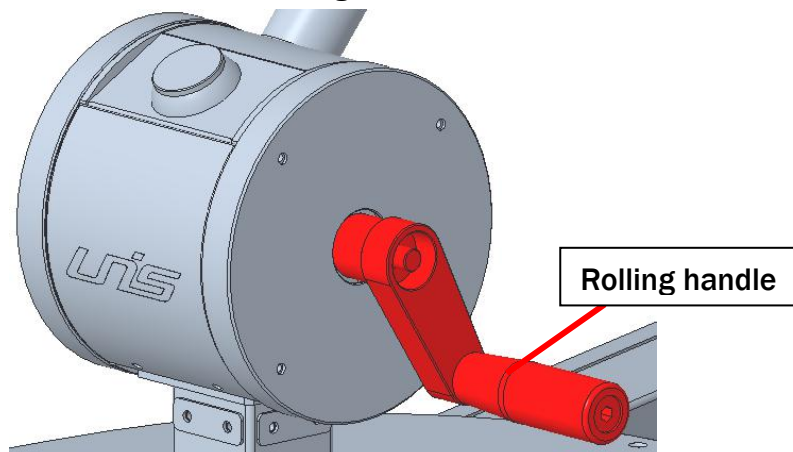


Step 4 Unplug the connector. Loosen the sensor screw to remove Sensor. Replace it with new Sensor and install it in reversed order.

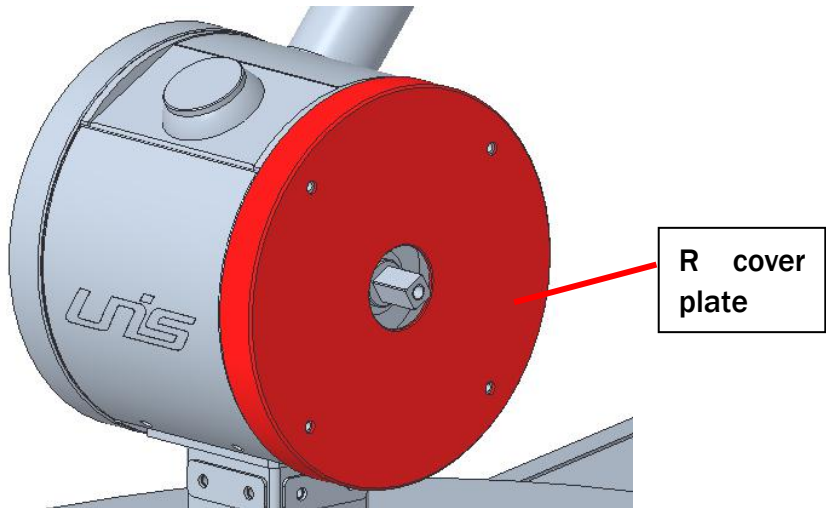


8.5 Fish Assembly Motor Replacement Instruction

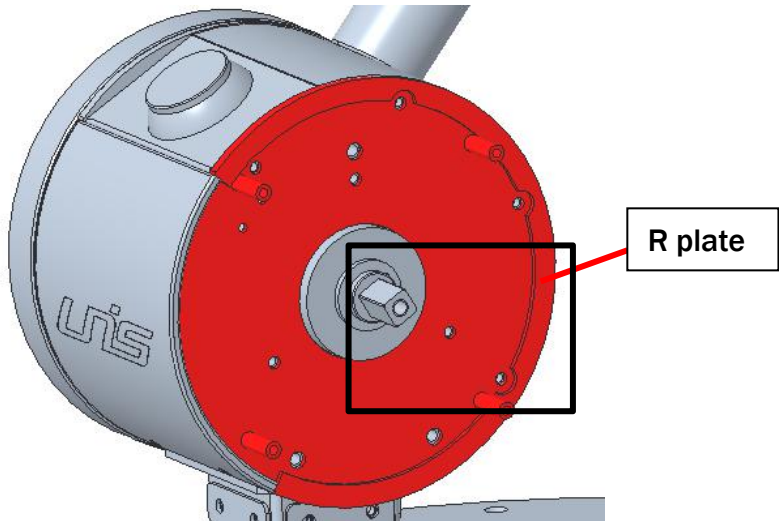
Step 1 Loosen the screw to remove Rolling handle.



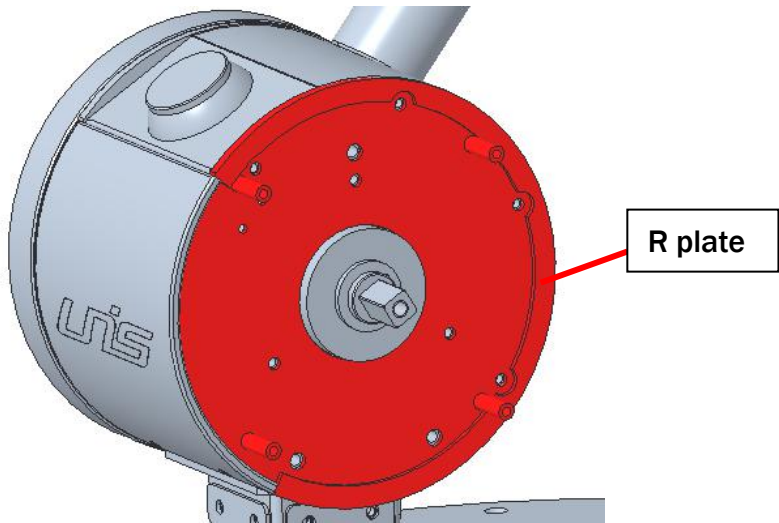
Step 2 Loosen screws to remove R cover plate.



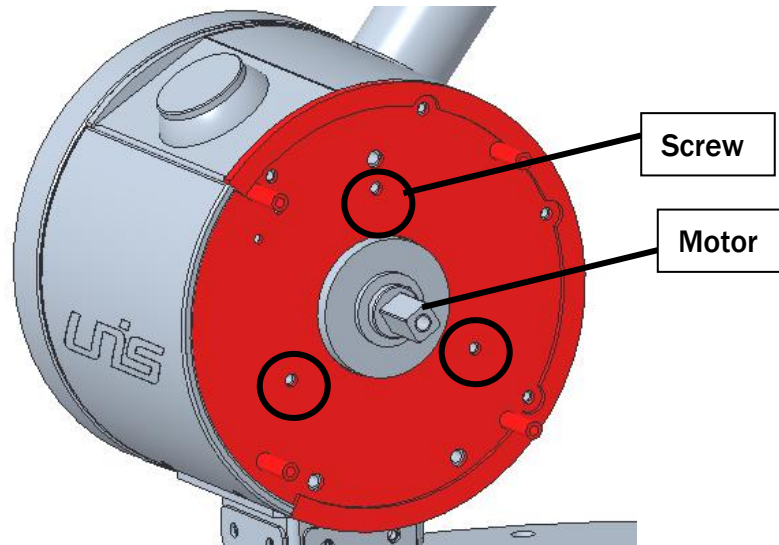
Step 3 Loosen screws to remove the R plate.



Step 4 Loosen screws to remove the R plate.

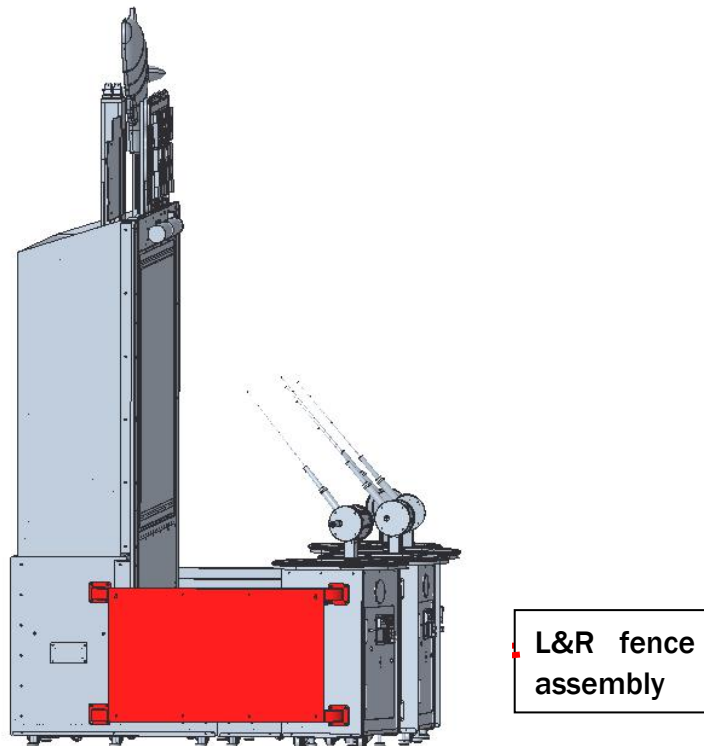


Step 5 Unplug the motor connector. Loosen the motor screw to remove Motor. Replace it with new Motor and install it in reversed order.

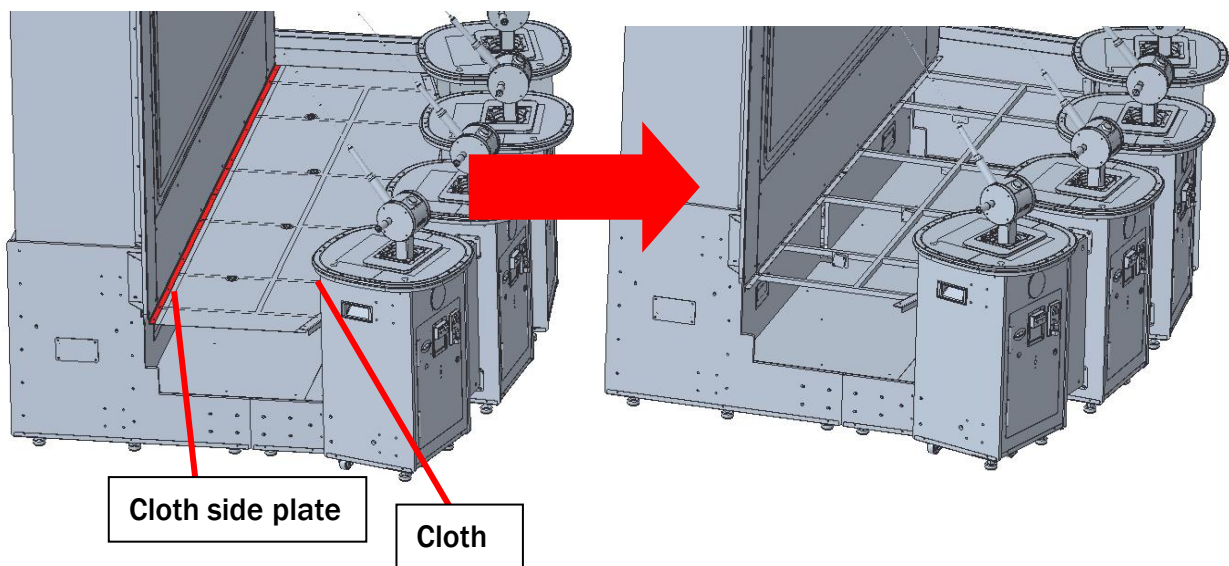


8.6 Wiring Box Replacement Instruction

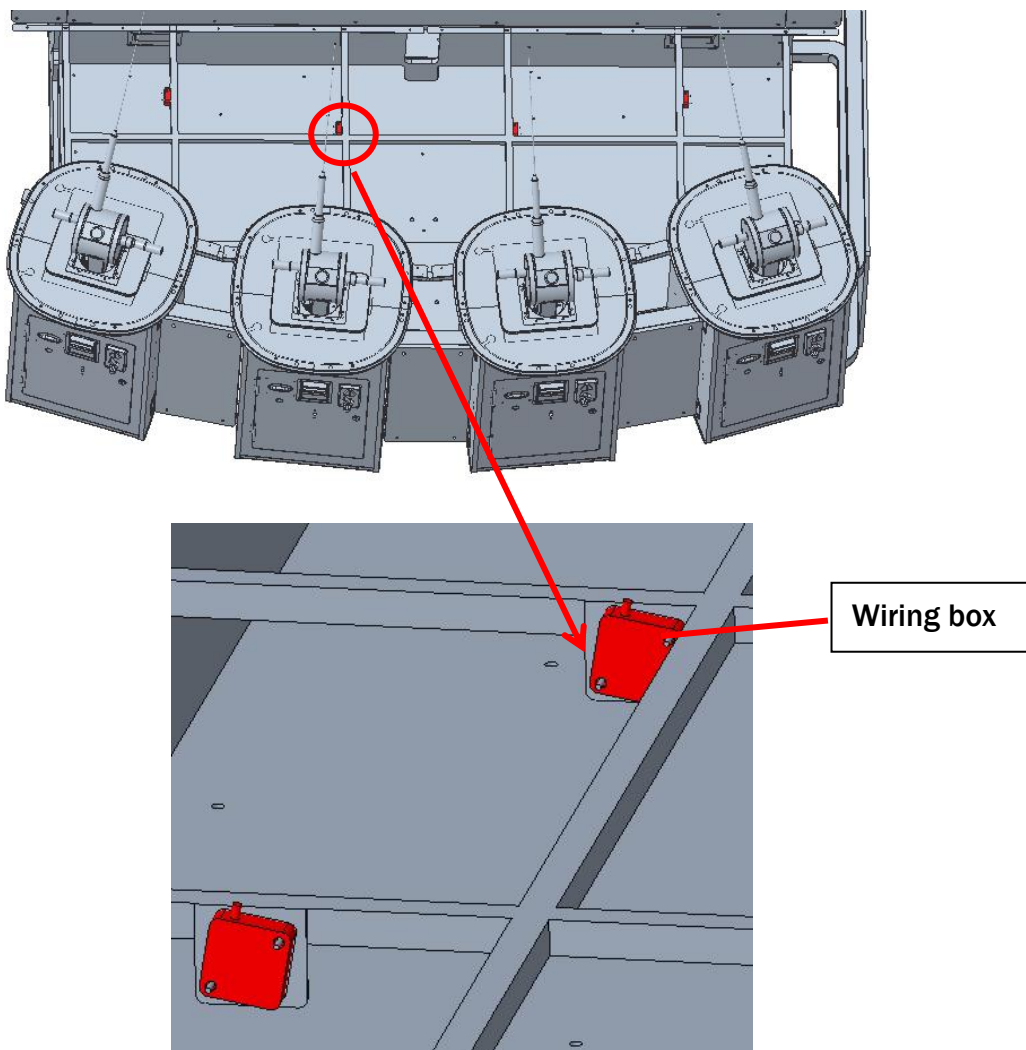
Step 1 Loosen the screws to remove L&R fence assembly.



Step 2 Loosen 4 screws to remove Cloth side plate. Remove the Rod from the Wiring box. Take the Cloth out.

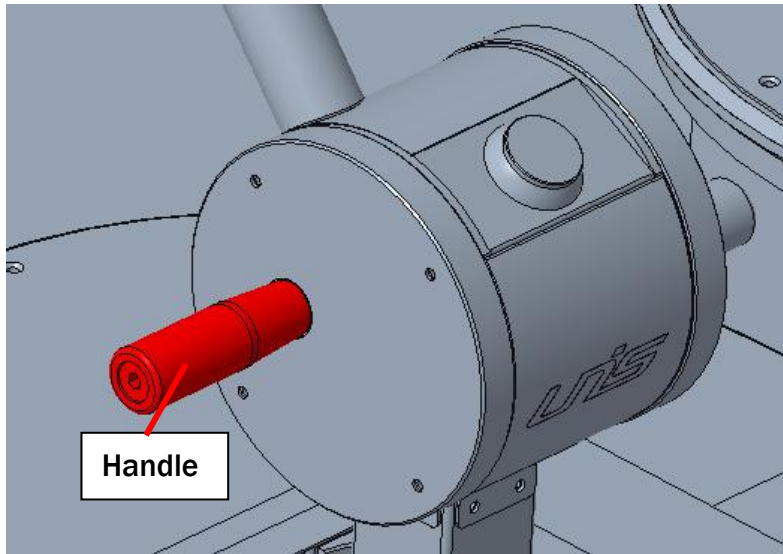


Step 3 Loosen the nut to remove Wiring box. Replace it with new Wiring box and install it in reversed order.



8.7 Fishing Assembly Handle Replacement Instruction

Step 1 Loosen the screw to remove Fishing assembly Handle. Replace it with new Handle and install it in reversed order.



8.8 Rod Replacement Instruction

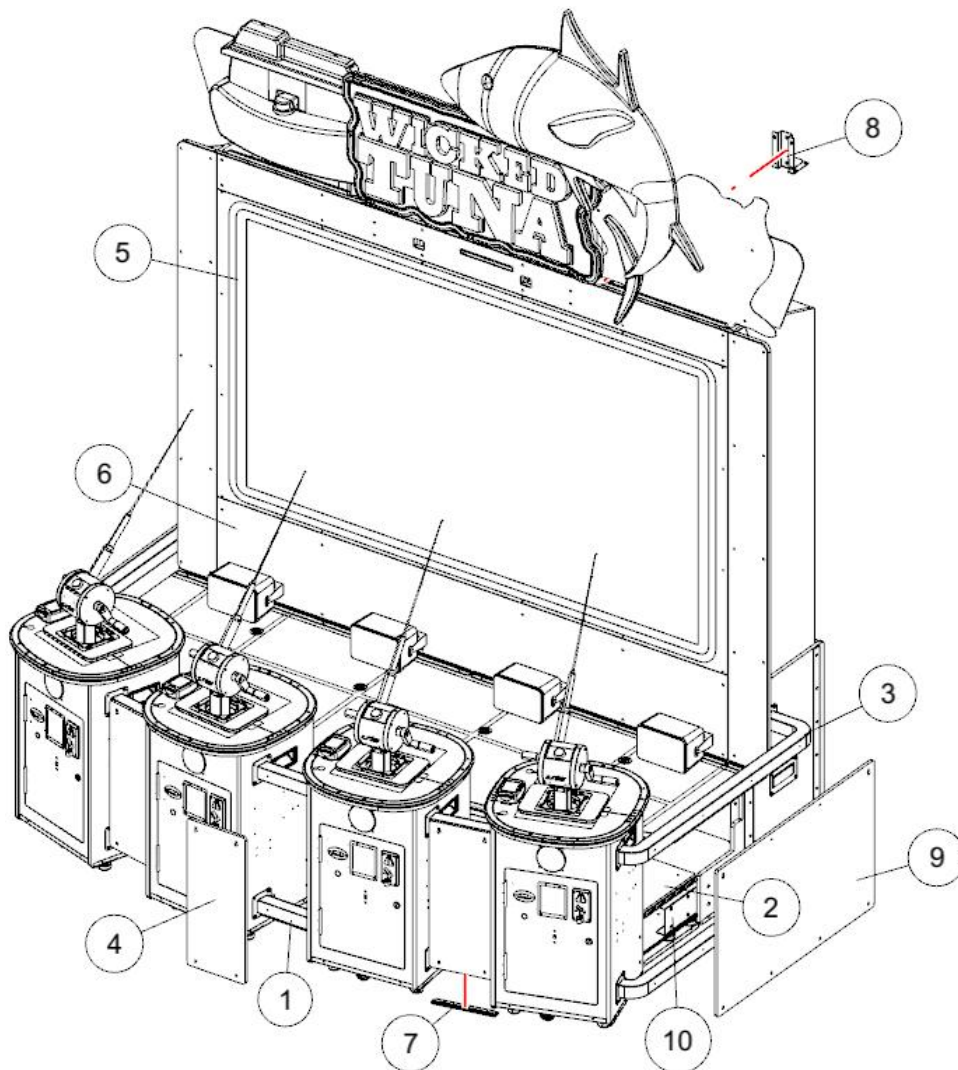
Step 1 Locate Control panel fishing rod. Loosen the nut and remove the Rod. Remove the Rod from the Wiring box.



Step 2 Replace it with new Rod and install it in reversed order

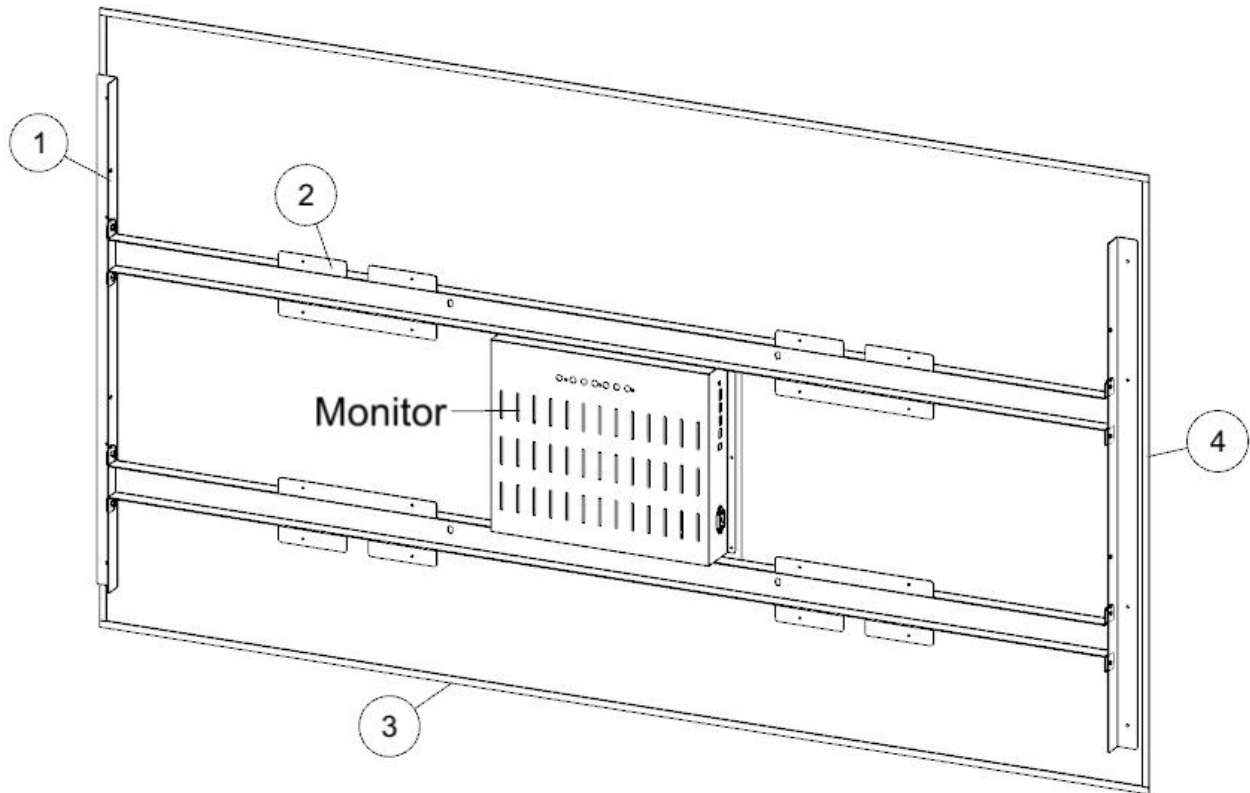
9. OVERALL CONSTRUCTION

9.1 General Assembly



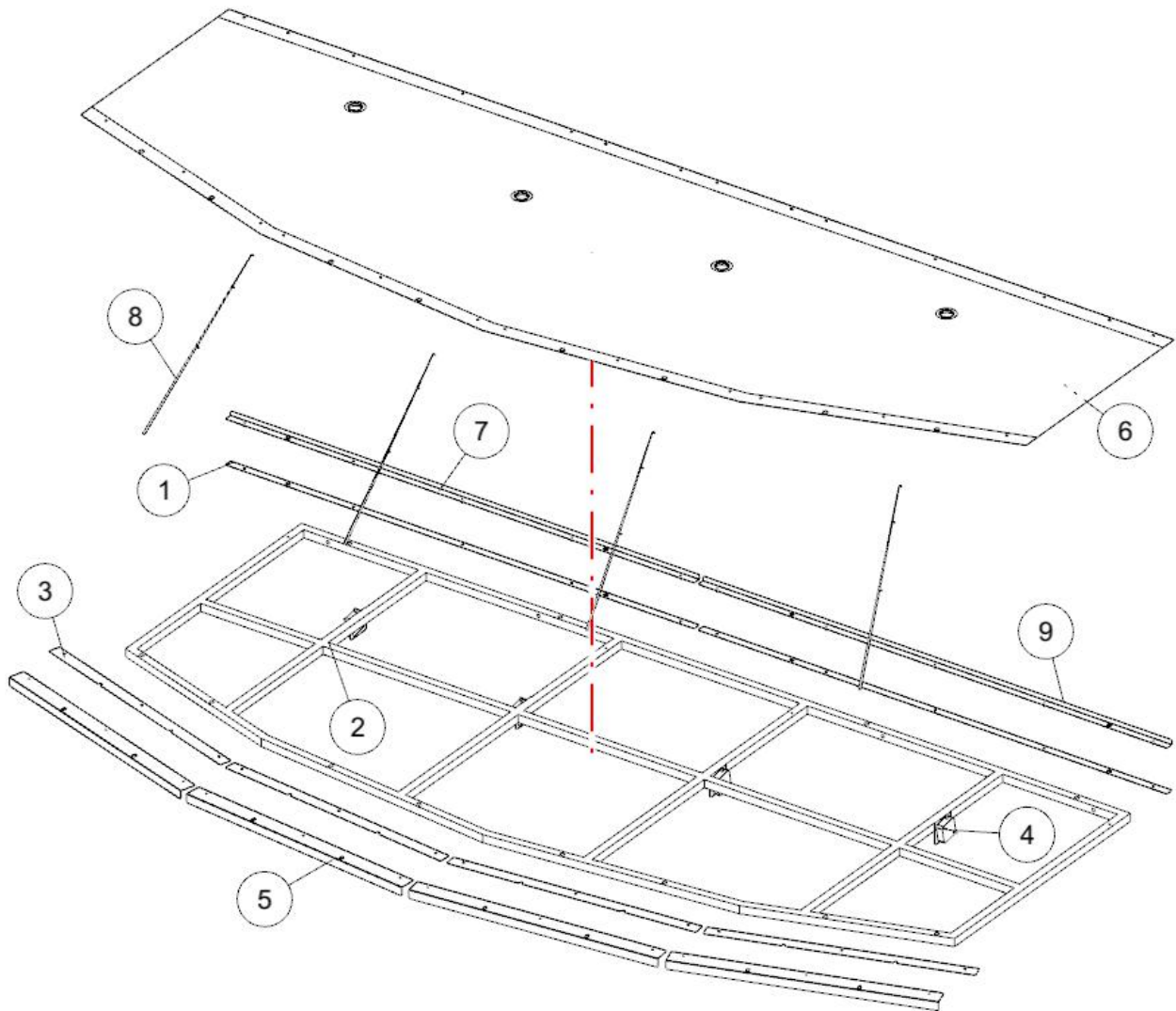
No.	Part No.	Code No.	Name	Version	Qty
1	W121-0001-00	202.4.2142.088	Ctrl. panel connect plate	1.1	6
2	W121-0002-00	203.4.2142.003	Front cover board A	1.1	1
3	W121-0003-00	202.4.2142.089	Fence fixing plate	1.1	4
4	W121-0401-00	203.4.2142.001	Clapboard A	1.1	3
5	W121-0005-00	205.4.2142A.001	Monitor front plastic A	1.1	1
6	W121-0006-00	205.4.2142A.002	Monitor front plastic B	1.1	1
7	W121-0007-00	206.4.2142.020	Base light plastic	1.1	3
8	W121-0008-00	202.4.2142.090	Front marquee socket	1.1	2
9	W121-1501-00	203.4.2142.002	Clapboard B	1.1	2
10	W121-0009-00	202.4.2142.087	Front&back case fixing plate	1.1	2

9.2 Monitor Assembly



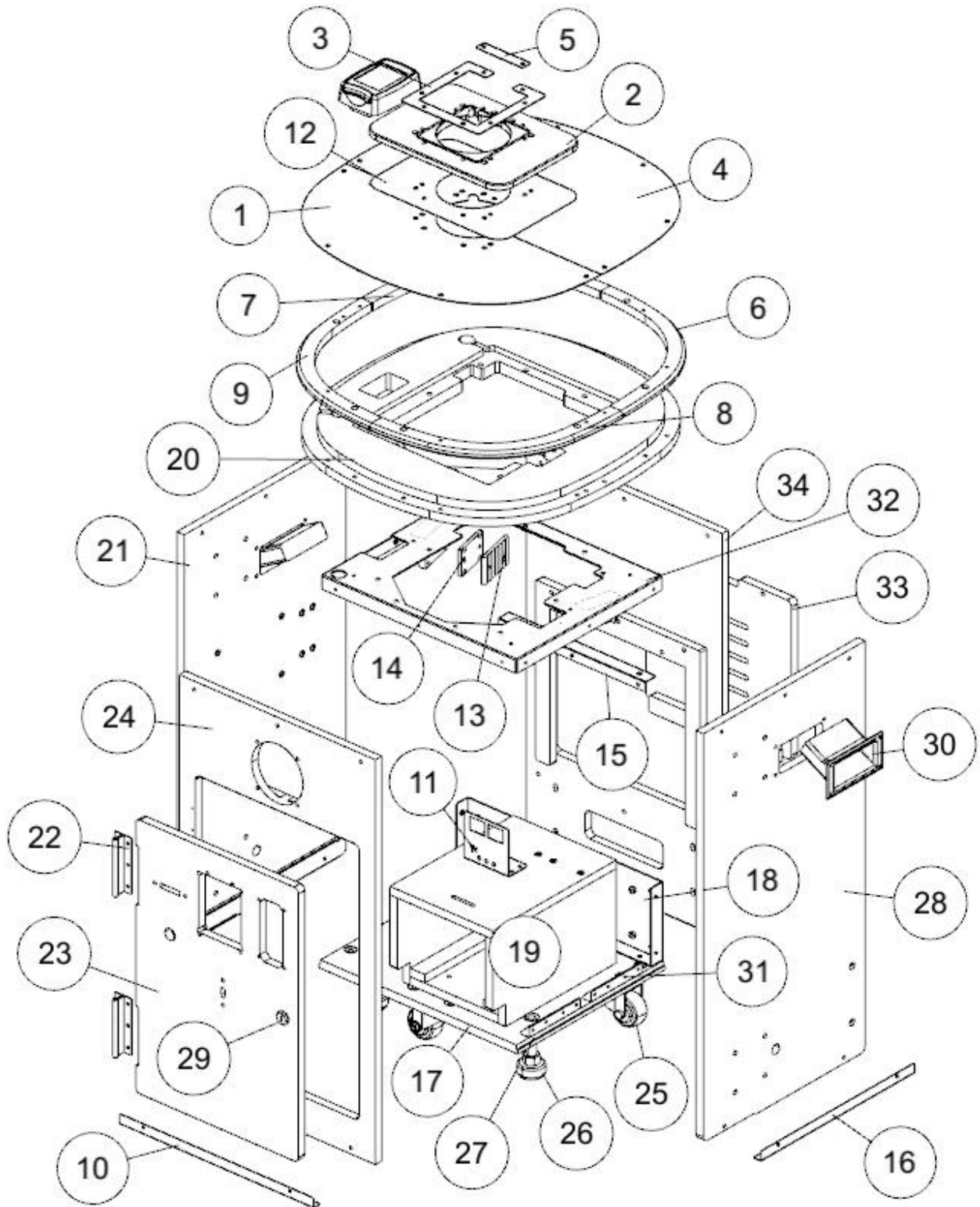
No.	Part No.	Code No.	Name	Version	Qty
1	W121-1002-00	202.4.2142.093	L&R support plate	1.1	2
2	W121-1003-00	202.4.2142.094	Up&down support plate	1.1	2
3	W121-1004-00	206.4.2142.001	Up&down dust-free foam	1.1	2
4	W121-1005-00	206.4.2142.002	L&R dust-free foam	1.1	2

9.3 Cloth Assembly



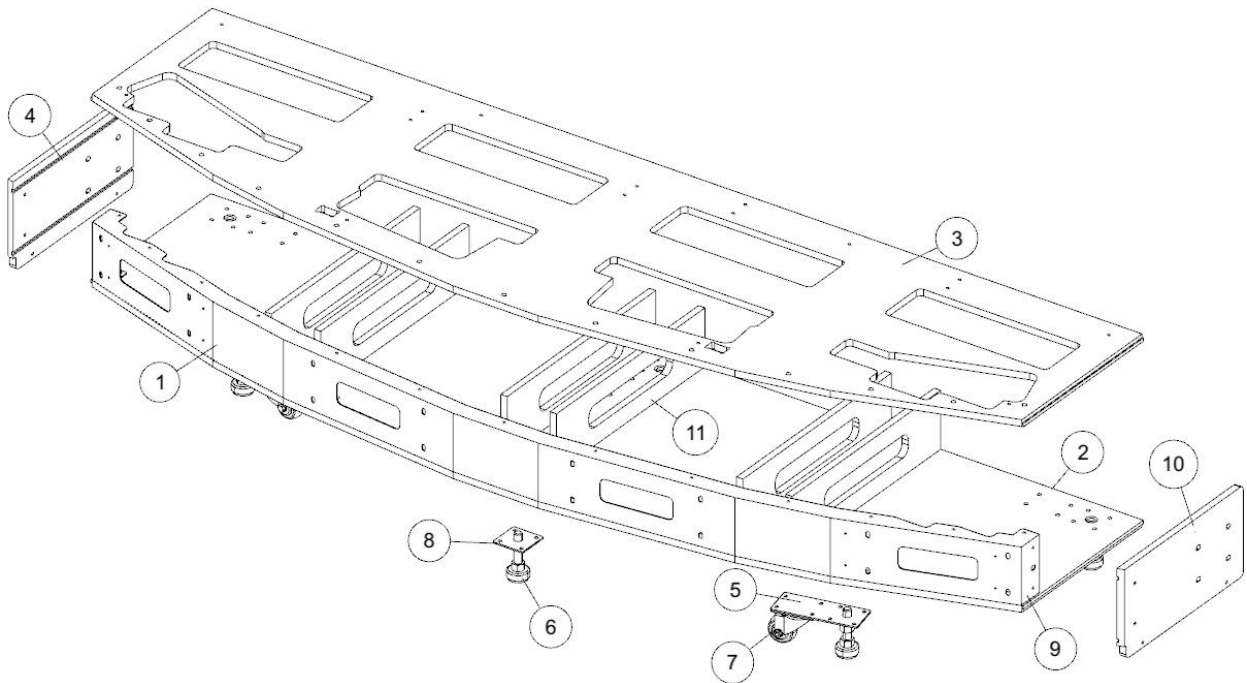
No.	Part No.	Code No.	Name	Version	Qty
1	W121-0102-00	202.4.2142.085	Cloth fixing plate A	1.1	2
2	W121-0103-00	202.4.2142.081	Bottom frame	1.1	1
3	W121-0104-00	202.4.2142.086	Cloth fixing plate B	1.1	4
4	W121-0105-00	2.51.08.070009	Wiring box	1.1	4
5	W121-0106-00	202.4.2142.084	Cloth support plate C	1.1	4
6	W121-0107-00	205.4.2142A.008	Cloth	1.1	1
7	W121-0108-00	202.4.2142.082	Cloth support plate A	1.1	1
8	W121-0109-00	206.4.2002.026	Rod	1.1	4
9	W121-0111-00	202.4.2142.083	Cloth support plate B	1.1	1

9.4 Control Panel Assembly



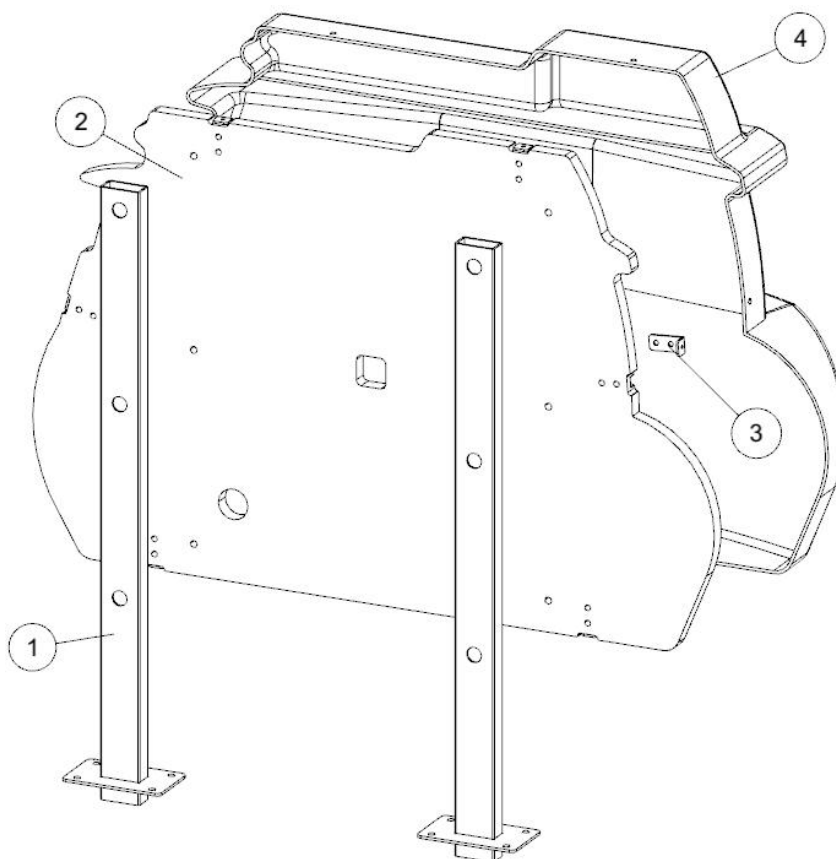
No.	Part No.	Code No.	Name	Version	Qty
1	W121-0302-00	202.4.2142.013	Ctrl. panel bottom plate	1.1	1
2	W121-0303-00	205.4.2142A.009	Ctrl. panel upper light plastic	1.1	1
3	W121-0304-00	202.4.2142.015	Rubber fixing plate	1.1	1
4	W121-0305-00	202.4.2142.012	Ctrl. panel upper plate	1.1	1
5	W121-0306-00	202.4.2142.016	Blanking plate	1.1	1
6	W121-0307-00	206.4.2142.003	Ctrl. panel light plastic A	1.1	1
7	W121-0308-00	206.4.2142.004	Ctrl. panel light plastic B	1.1	3
8	W121-0309-00	206.4.2142.005	Ctrl. panel light plastic C	1.1	2
9	W121-0310-00	206.4.2142.006	Ctrl. panel light plastic D	1.1	1
10	W121-0311-00	202.4.2142.010	Front&back protective plate	1.1	2
11	W121-0312-00	2.60.00044000	Counter bracket	1.1	1
12	W121-0313-00	206.4.2142.007	Reflection PVC	1.1	1
13	W121-0314-00	206.4.2142.021	Buffer pad	1.1	2
14	W121-0316-00	206.4.2142.008	Limited pad B	1.1	2
15	W121-0317-00	202.4.2142.014	Back plate	1.1	1
16	W121-0318-00	202.4.2142.011	L&R protective plate	1.1	2
17	W121-0202-00	203.4.2142.046	Ctrl. panel base board	1.1	1
18	W121-0203-00	202.4.2142.008	Back strengthen plate	1.1	1
19	W121-0204-00	203.4.2142.054	Coin outer box	1.1	1
20	W121-0205-00	203.4.2142.051	Ctrl. panel top board	1.1	1
21	W121-0207-00	203.4.2142.047	Ctrl. panel L side board	1.1	1
22	W121-0208-00	2.63.00.000001	4" hinge	1.1	2
23	W121-0209-00	203.4.2142.052	Ctrl. panel front door	1.1	1
24	W121-0210-00	203.4.2142.050	Ctrl. panel front board	1.1	1
25	W121-0211-00	2.55.01.000047	2.5"caster	1.1	3
26	W121-0212-00	2.60.00008000	2" leveller	1.1	3
27	W121-0213-00	202.4.2002.026	Caster plate	1.1	3
28	W121-0214-00	203.4.2142.048	Ctrl. panel R side board	1.1	1
29	W121-0215-00	2.53.00171001	171A lock	1.1	1
30	W121-0216-00	2.51.02.000098	Handle	1.1	2
31	W121-0217-00	2.60.00067000	Corner	1.1	16
32	W121-0218-00	202.4.2142.009	Upper strengthen plate	1.1	1
33	W121-0219-00	203.4.2142.053	Ctrl. panel back door	1.1	1
34	W121-0220-00	203.4.2142.049	Ctrl. panel back board	1.1	1

9.5 Front Wooden Case Assembly



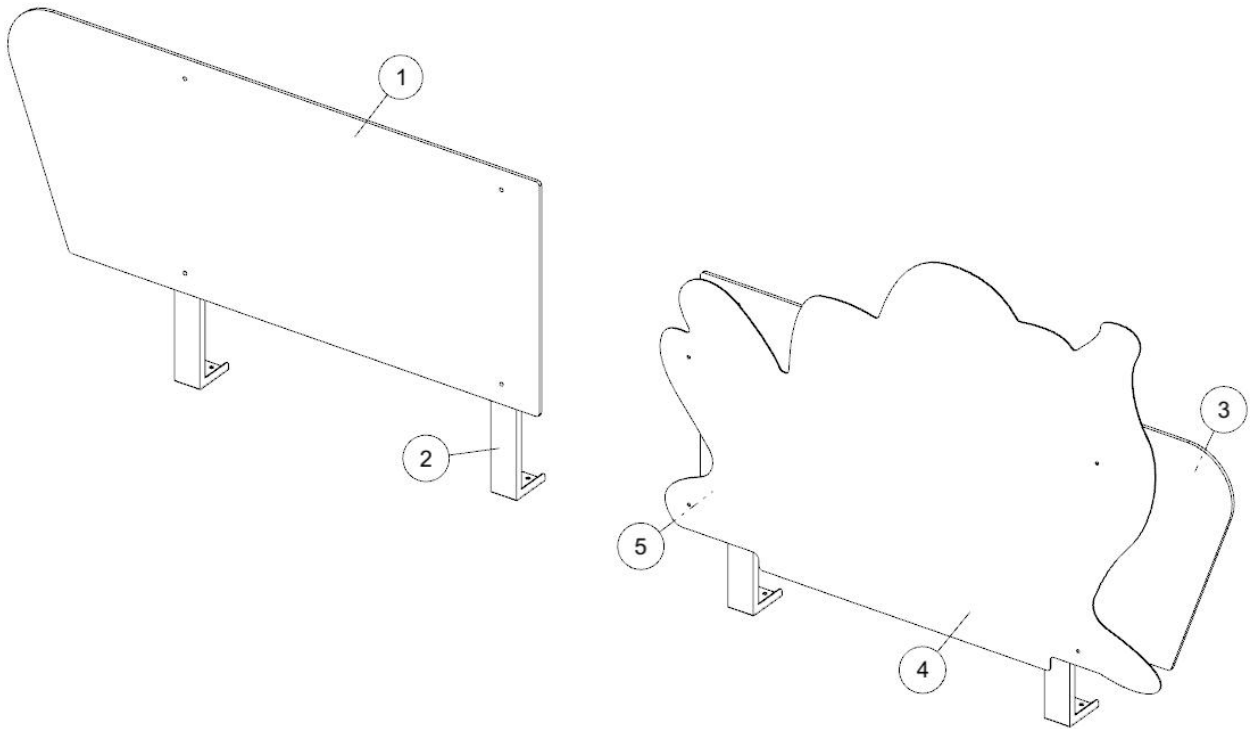
No.	Part No.	Code No.	Name	Version	Qty
1	W121-1602-00	202.4.2142.007	Inner strengthen plate	1.1	1
2	W121-1603-00	203.4.2142.041	Front case base board	1.1	1
3	W121-1604-00	203.4.2142.044	Front case top board	1.1	1
4	W121-1605-00	203.4.2142.042	Front case L side board	1.1	1
5	W121-1407-00	2.60.00010000	2" leveller plate	1.1	5
6	W121-0212-00	2.60.00008000	2" support	1.1	6
7	W121-0211-00	2.55.01.000047	2.5" caster	1.1	5
8	W121-0213-00	202.4.2002.026	Caster plate	1.1	1
9	W121-0217-00	2.60.00067000	Corner	1.1	32
10	W121-1606-00	203.4.2142.043	Front case R side board	1.1	1
11	W121-1607-00	203.4.2142.045	Inner support board	1.1	6

9.6 Boat Marquee Assembly



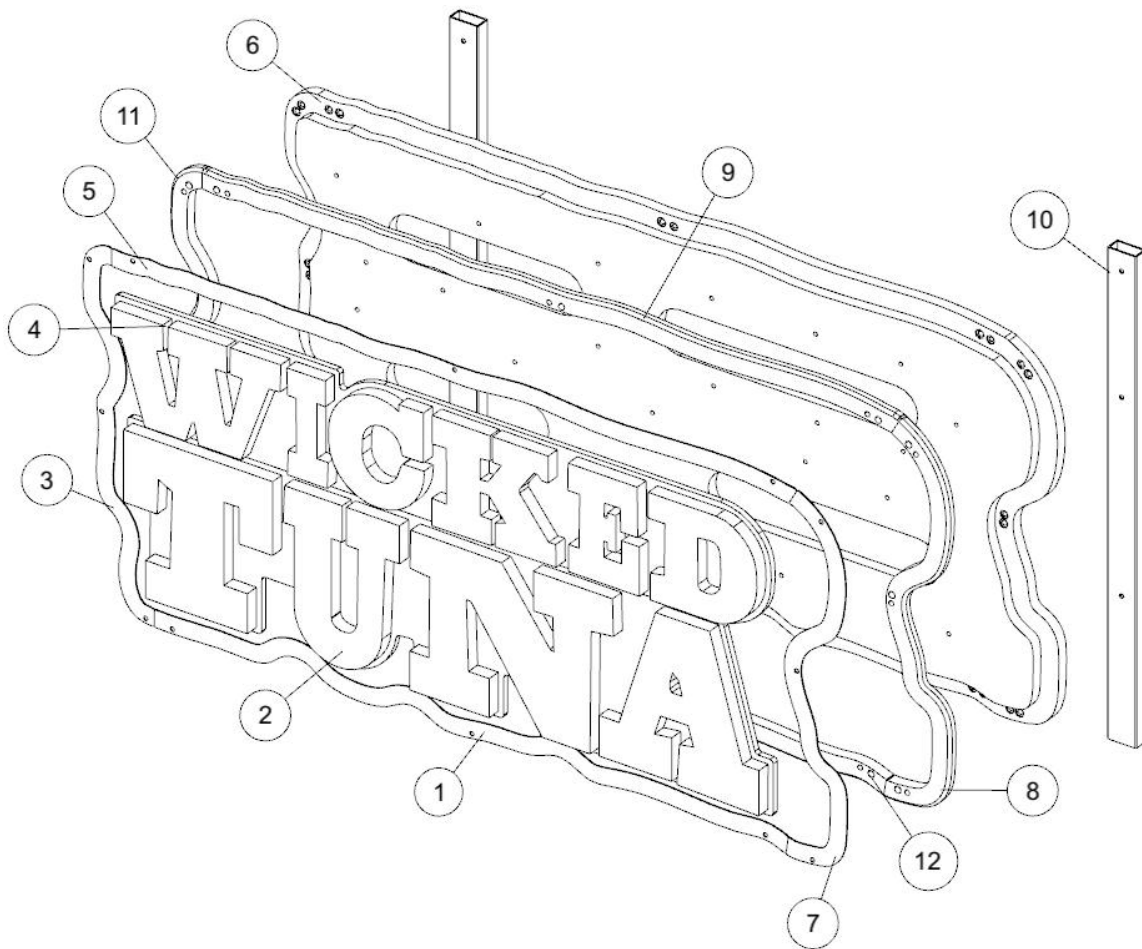
No.	Part No.	Code No.	Name	Version	Qty
1	W121-0702-00	202.4.2142.108	Boat bracket	1.1	1
2	W121-0703-00	203.4.2142.075	Boat back board	1.1	1
3	W121-0704-00	202.4.2142.077	Boat mounting plate	1.1	6
4	W121-0705-00	205.4.2142.040	Boat plastic	1.1	1

9.7 Back Marquee Assembly



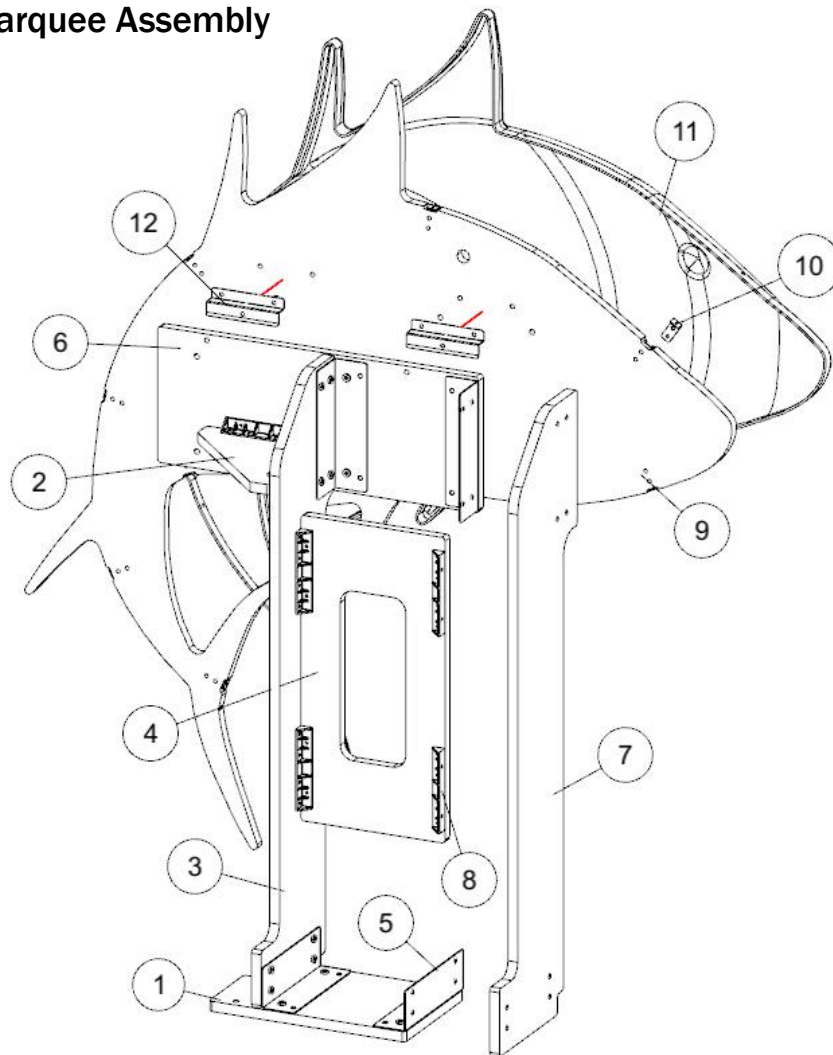
No.	Part No.	Code No.	Name	Version	Qty
1	W121-1702-00	205.4.2142A.028A	L background Andy board	1.1	1
2	W121-1703-00	202.4.2142.071	Background support plate	1.1	4
3	W121-1704-00	205.4.2142A.029A	R background Andy board	1.1	1
4	W121-1705-00	205.4.2142.042	Water drop PVC	1.1	1
5	W121-1706-00	201.08.04.4008	Isolation column	1.1	8

9.8 LOGO Marquee Assembly



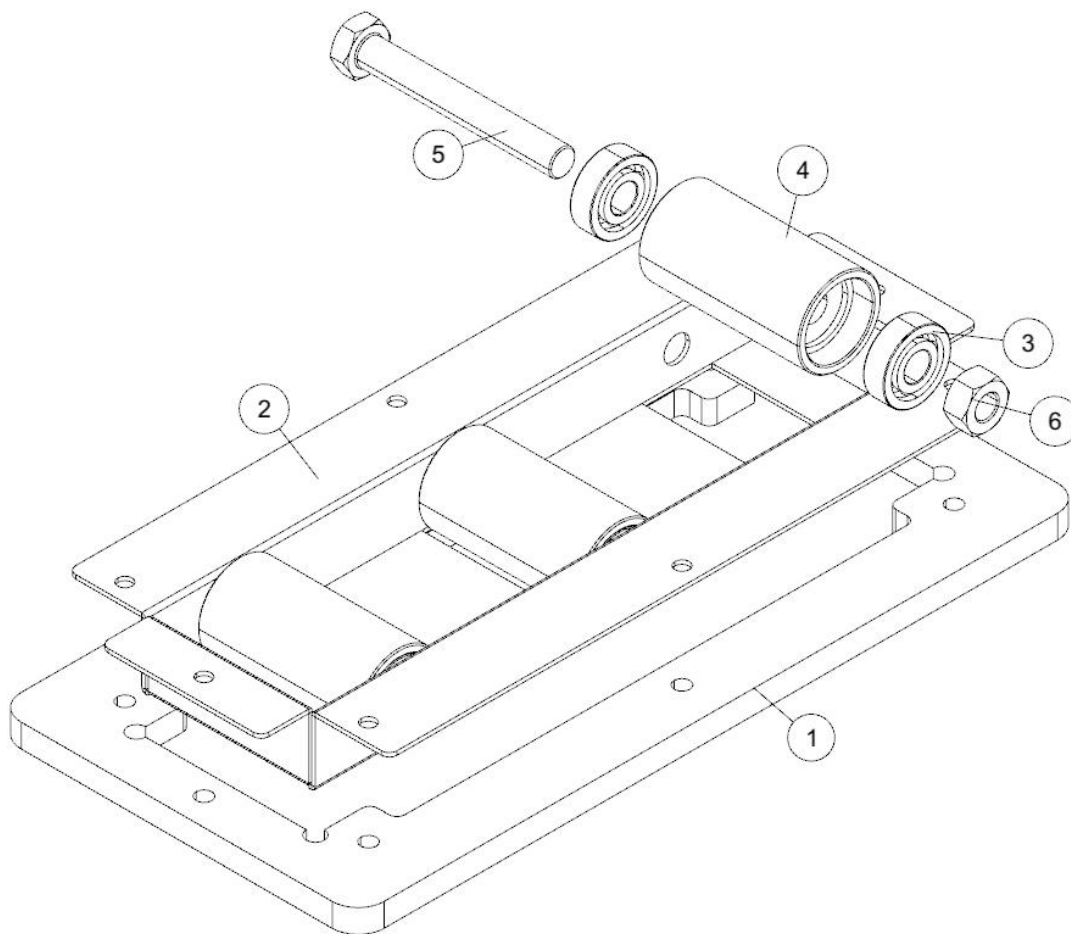
No.	Part No.	Code No.	Name	Version	Qty
1	W121-0802-00	202.4.2142.098	Pressing plate C	1.1	1
2	W121-0803-00	205.4.2142.007	Bottom light plastic	1.1	1
3	W121-0804-00	202.4.2142.099	Pressing plate D	1.1	1
4	W121-0805-00	205.4.2142.006	Upper light plastic	1.1	1
5	W121-0806-00	202.4.2142.096	Pressing plate A	1.1	1
6	W121-0807-00	203.4.2142.055	Marquee base board	1.1	1
7	W121-0809-00	202.4.2142.097	Pressing plate B	1.1	1
8	W121-0810-00	206.4.2142.015	Marquee light plastic B	1.1	1
9	W121-0811-00	206.4.2142.014	Marquee light plastic A	1.1	1
10	W121-0812-00	202.4.2142.069	Marquee support plate	1.1	2
11	W121-0813-00	206.4.2142.017	Marquee light plastic D	1.1	1
12	W121-0814-00	206.4.2142.016	Marquee light plastic C	1.1	1

9.9 Fish Marquee Assembly



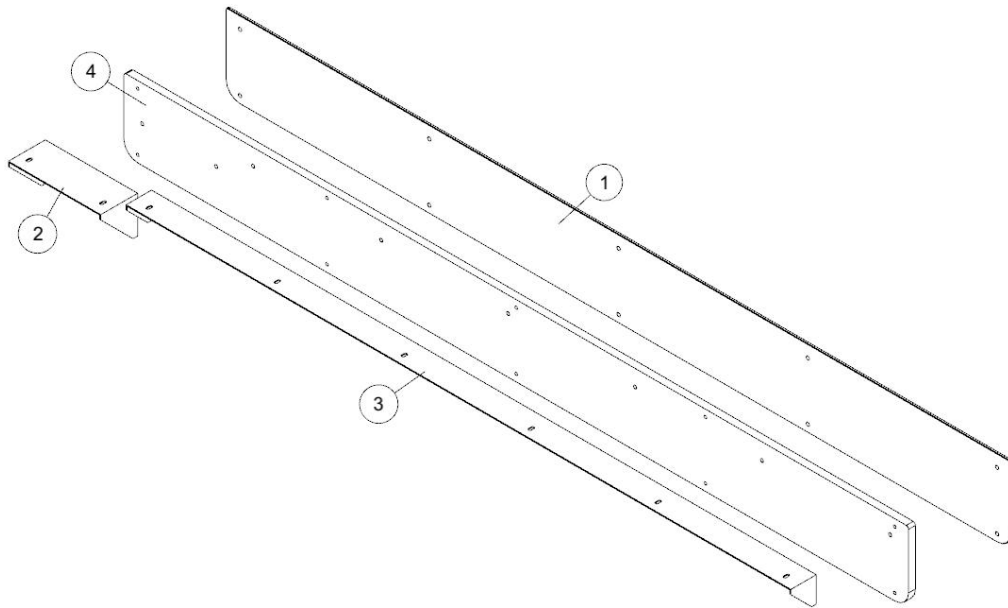
No.	Part No.	Code No.	Name	Version	Qty
1	W121-1103-00	203.4.2142.077	Bracket base board	1.1	1
2	W121-1104-00	203.4.2142.082	Bracket strengthen board	1.1	1
3	W121-1105-00	203.4.2142.079	Bracket R side board	1.1	1
4	W121-1106-00	203.4.2142.081	Bracket vertical board	1.1	1
5	W121-1107-00	202.4.2142.109	Bracket inner plate	1.1	4
6	W121-1108-00	203.4.2142.080	Bracket board	1.1	1
7	W121-1109-00	203.4.2142.078	Bracket L side board	1.1	1
8	W121-0217-00	2.60.00067000	Corner	1.1	6
9	W121-1110-00	203.4.2142.076	Fish back board	1.1	1
10	W121-0704-00	202.4.2142.077	Mounting plate	1.1	9
11	W121-1111-00	205.4.2142.041	Fish plastic	1.1	1
12	W121-1112-00	202.4.2142.110	Hanging plate	1.1	2

9.10 Idler Wheel Assembly



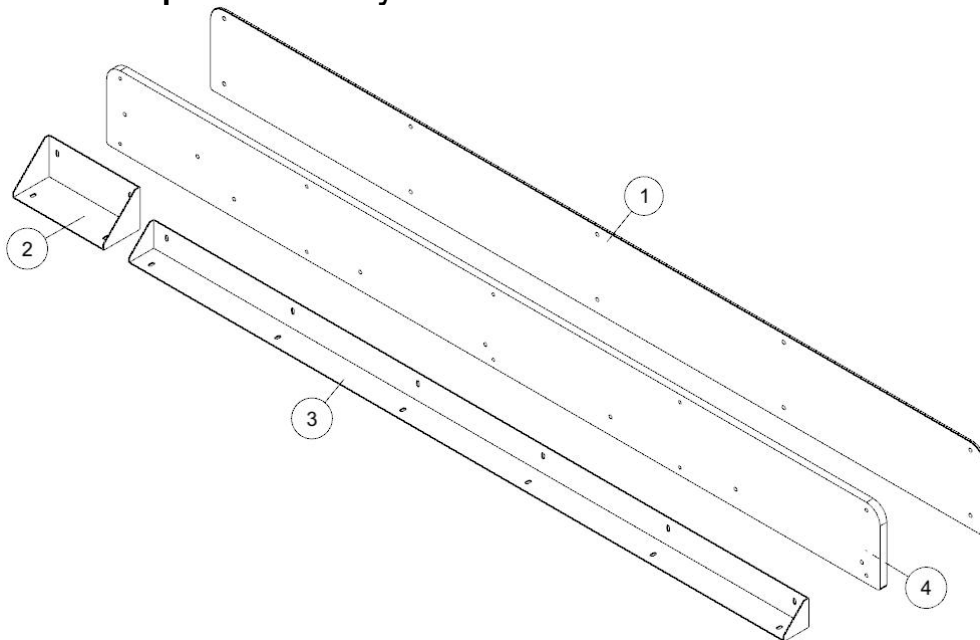
No.	Part No.	Code No.	Name	Version	Qty
1	W121-1302-00	203.4.2142.063	Support base board	1.1	1
2	W121-1303-00	202.4.2142.078	Support plate	1.1	1
3	W121-1304-00	201.06.000303	Deep groove ball bearing	1.1	6
4	W121-1305-00	206.4.2142.013	Idler wheel	1.1	3
5	W121-1306-00	201.04.031003	Hexagon bolt	1.1	3
6	W121-1307-00	201.02.030015	Hexagon nut	1.1	3

9.11 L Side Marquee Assembly



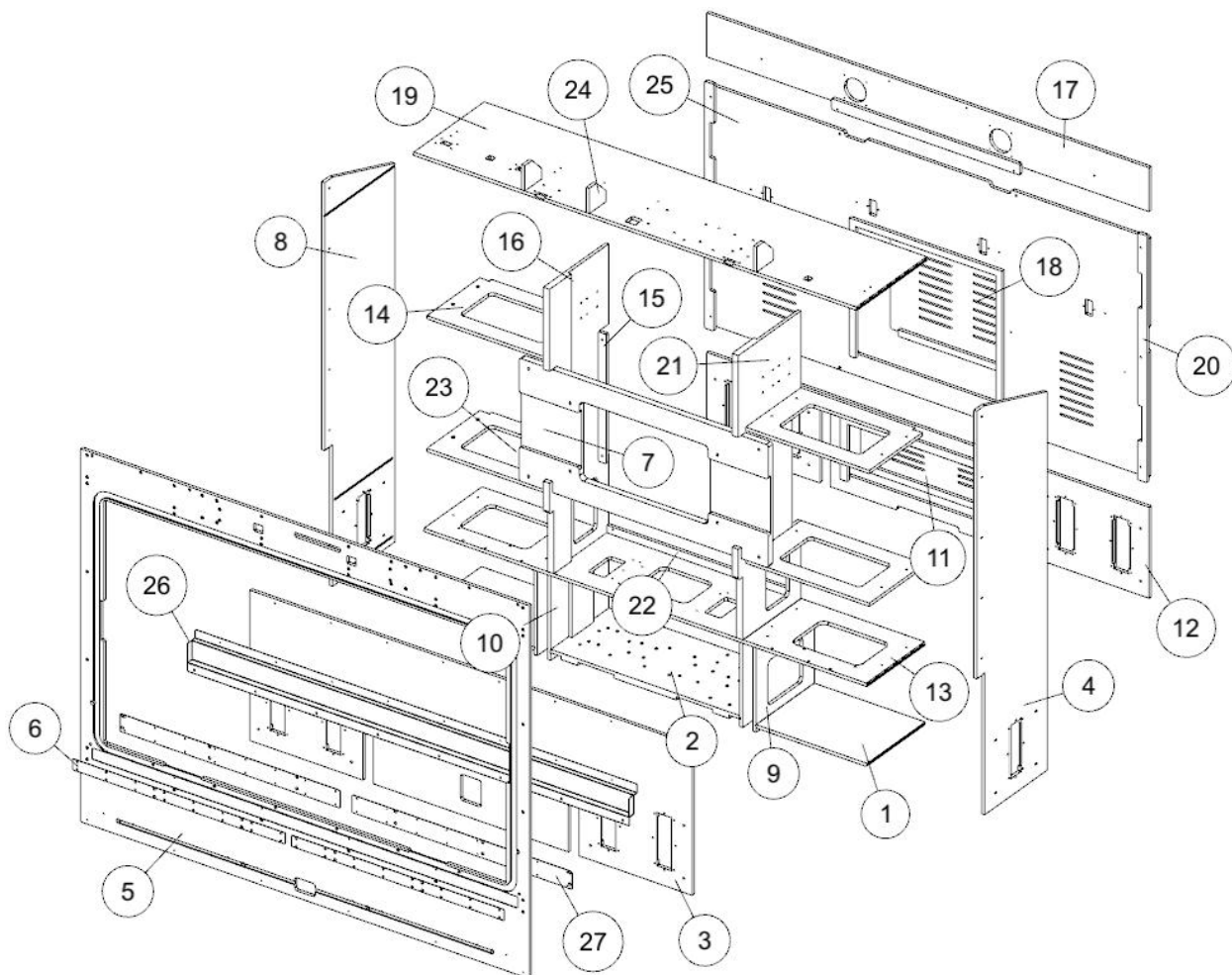
No.	Part No.	Code No.	Name	Version	Qty
1	W121-0502-00	205.4.2142A.004	Monitor L side plastic	1.1	1
2	W121-0503-00	202.4.2142.080	Bottom mounting plate	1.1	1
3	W121-0504-00	202.4.2142.079	Upper mounting plate	1.1	1
4	W121-0505-00	203.4.2142.064	L side plastic board	1.1	1

9.12 R Side Marquee Assembly



No.	Part No.	Code No.	Name	Version	Qty
1	W121-0902-00	205.4.2142A.005	Monitor R side plastic	1.1	1
2	W121-0503-00	202.4.2142.080	Bottom mounting plate	1.1	1
3	W121-0504-00	202.4.2142.079	Upper mounting plate	1.1	1
4	W121-0903-00	203.4.2142.065	R side plastic board	1.1	1

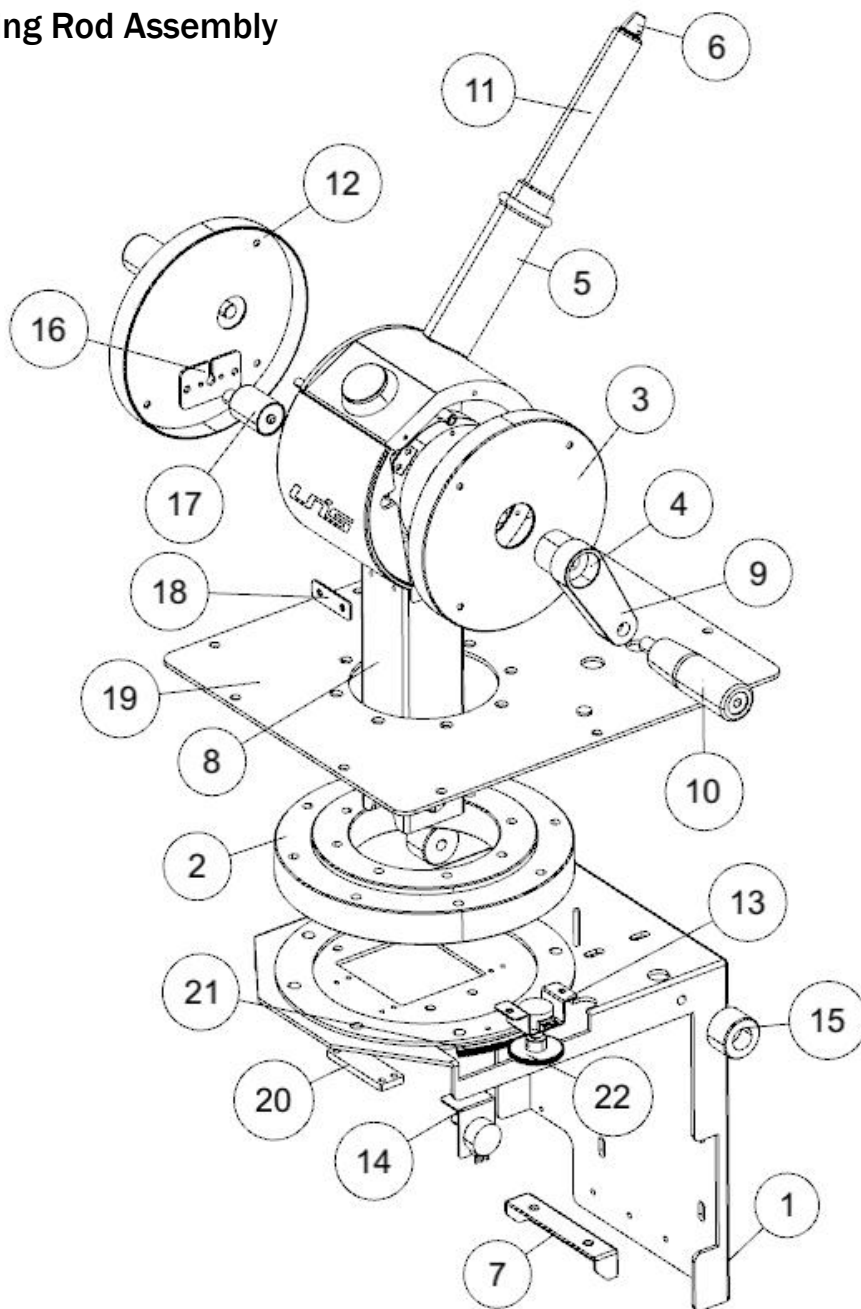
9.13 Upper Wooden Case Assembly



No.	Part No.	Code No.	Name	Version	Qty
1	W121-1202-00	203.4.2142.027	Side base board	1.1	2
2	W121-1203-00	203.4.2142.016	Mid base board	1.1	1
3	W121-1204-00	203.4.2142.025	Front bottom board	1.1	1
4	W121-1205-00	203.4.2142.018	R side board	1.1	1
5	W121-1206-00	203.4.2142.019	Front board	1.1	1
6	W121-1207-00	202.4.2142.004	Connect plate A	1.1	2
7	W121-1208-00	203.4.2142.032	Monitor mounting board	1.1	1
8	W121-1209-00	203.4.2142.017	L side board	1.1	1
9	W121-1210-00	203.4.2142.026	Support board	1.1	2
10	W121-1211-00	203.4.2142.022	L board	1.1	2
11	W121-1212-00	203.4.2142.028	Electrical door board	1.1	1
	W121-0215-00	2.53.00171001	171A lock	1.1	1
12	W121-1213-00	203.4.2142.024	Back bottom board	1.1	1
13	W121-1214-00	203.4.2142.020	Mid board	1.1	1
14	W121-1215-00	203.4.2142.035	Side strengthen board	1.1	4
15	W121-1216-00	203.4.2142.038	Decoration fixing board	1.1	2
16	W121-1217-00	203.4.2142.030	L vertical board	1.1	1
17	W121-1218-00	203.4.2142.029	Back upper board	1.1	1

No.	Part No.	Code No.	Name	Version	Qty
18	W121-1219-00	203.4.2142.040	Upper door	1.1	1
	W121-0215-00	2.53.00171001	171A lock	1.1	1
19	W121-1220-00	203.4.2142.021	Top board	1.1	1
20	W121-1221-00	203.4.2142.037	Door side board	1.1	2
21	W121-1222-00	203.4.2142.031	R vertical board	1.1	1
22	W121-1223-00	203.4.2142.036	Door bottom board	1.1	1
23	W121-0217-00	2.60.00067000	Corner	1.1	193
24	W121-1224-00	203.4.2142.034	Strengthen board	1.1	3
25	W121-1225-00	203.4.2142.039	Upper back door	1.1	1
26	W121-1226-00	202.4.2142.006	Connect plate C	1.1	1
27	W121-1227-00	202.4.2142.005	Connect plate B	1.1	2

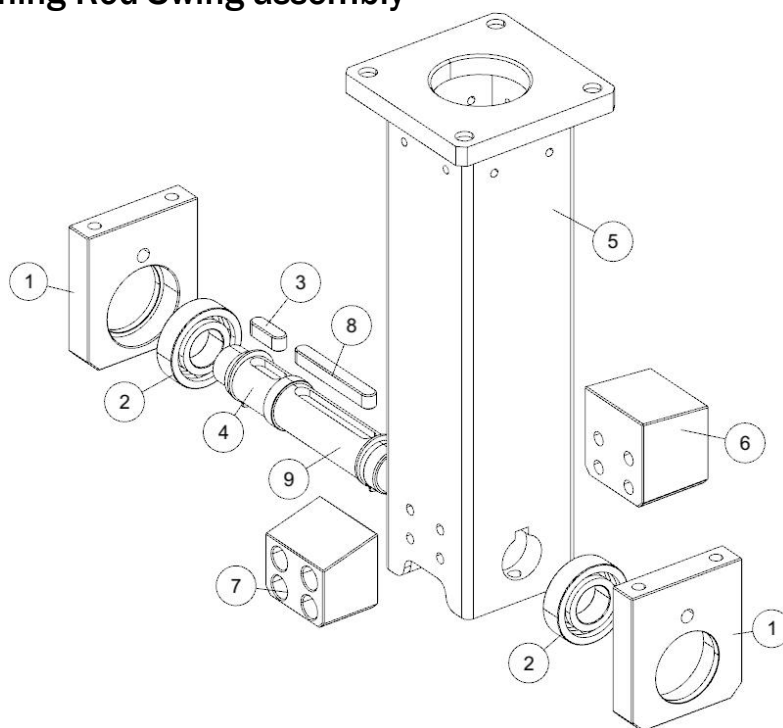
9.14 Fishing Rod Assembly



No.	Part No.	Code No.	Name	Version	Qty
1	W121-0602-00	202.4.2142.017	Fishing base plate	1.1	1
2	W121-0603-00	201.06.16.0005	Toothless slewing bearing	1.1	1
3	W121-0661-00	202.4.2142.054	R cover plate	1.1	1
4	W121-0614-00	2.51.00.080028	Hole cover ABS	1.1	1
5	W121-0615-00	206.4.2142.011	Gum cover	1.1	1
6	W121-0617-00	202.4.2142.053	Rod cover	1.1	1
7	W121-0618-00	202.4.2142.051	Tension plate	1.1	1
8	W121-0633-00	206.4.2142.012	Leather	1.1	1
9	W121-0634-00	202.4.2142.057	Swing arm	1.1	1
10	W121-0634-00	206.4.11.22.005	Rotation handle	1.1	1
11	W121-0649-00	202.4.2142.052	Fishing rod plate	1.1	1

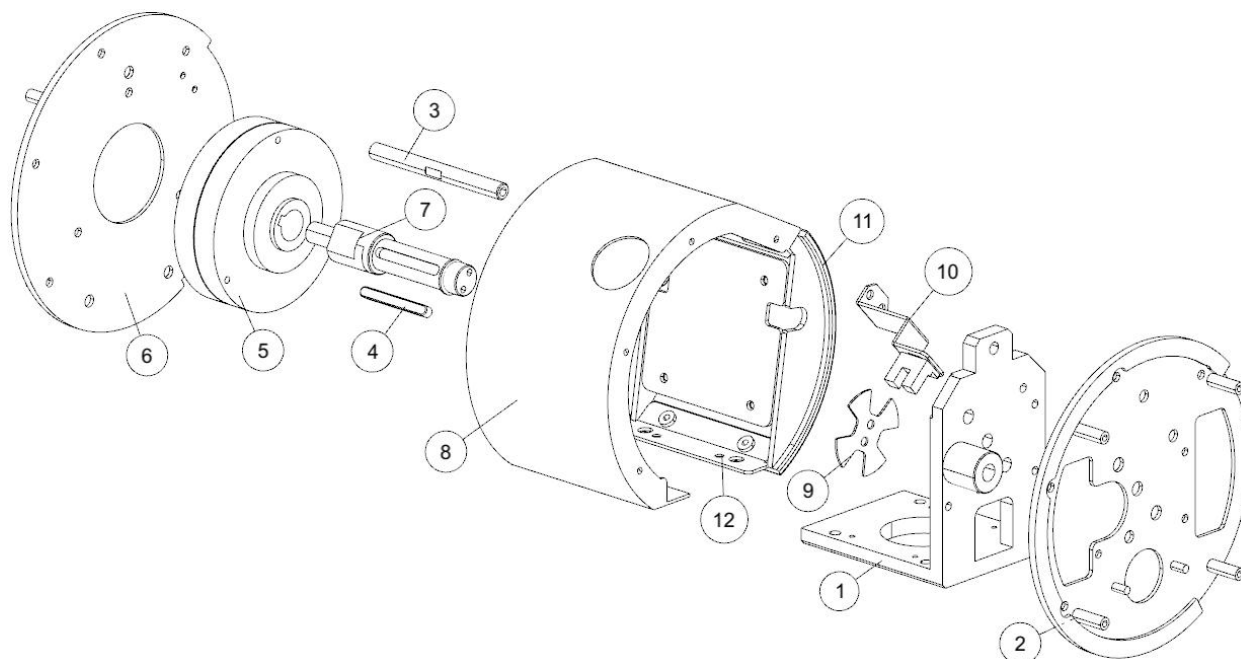
No.	Part No.	Code No.	Name	Version	Qty
12	W121-0650-00	202.4.2142.055	L cover plate	1.1	1
13	W121-0651-00	202.4.2142.061	POT mounting plate B	1.1	1
14	W121-0652-00	202.4.2142.050	POT mounting plate A	1.1	1
15	W121-0653-00	206.4.2142.019	Anti-shake pad	1.1	2
16	W121-0654-00	202.4.2142.056	Shaking motor plate	1.1	1
17	W121-0655-00	2.34.04.000246	DC motor	1.1	1
18	W121-0656-00	202.4.2142.058	Leather small pressing plate	1.1	4
19	W121-0657-00	202.4.2142.043	Rotation plate	1.1	1
20	W121-0658-00	206.4.2142.010	Limited pad A	1.1	2
21	W121-0659-00	202.4.2142.060	Large gear	1.1	1
22	W121-0660-00	202.4.2142.062	Small gear	1.1	1

9.15 Fishing Rod Swing assembly



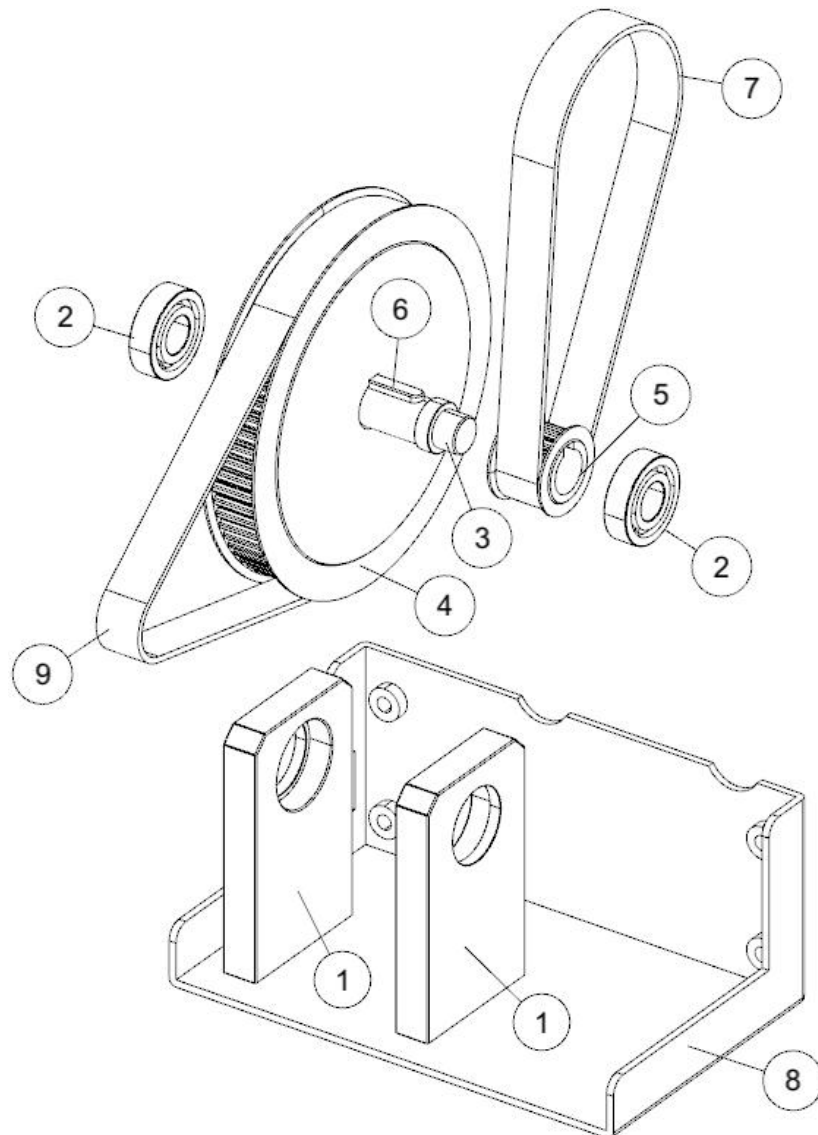
No.	Part No.	Code No.	Name	Version	Qty
1	W121-0605-00	202.4.2142.020	Bearing plate A	1.1	2
2	W121-0606-00	201.06.000082	Deep groove ball bearing	1.1	2
3	W121-0607-00	202.4.2142.023	Flat key B	1.1	1
4	W121-0608-00	202.4.2142.021	Driven wheel	1.1	1
5	W121-0609-00	202.4.2142.019	Swing arm plate	1.1	1
6	W121-0610-00	202.4.2142.025	Back limit plate	1.1	1
7	W121-0611-00	202.4.2142.024	Front limit plate	1.1	1
8	W121-0612-00	202.4.2142.022	Flat key A	1.1	1
9	W121-0613-00	202.4.2142.018	Swing arm axle	1.1	1

9.16 Fishing Rod Clutch Assembly



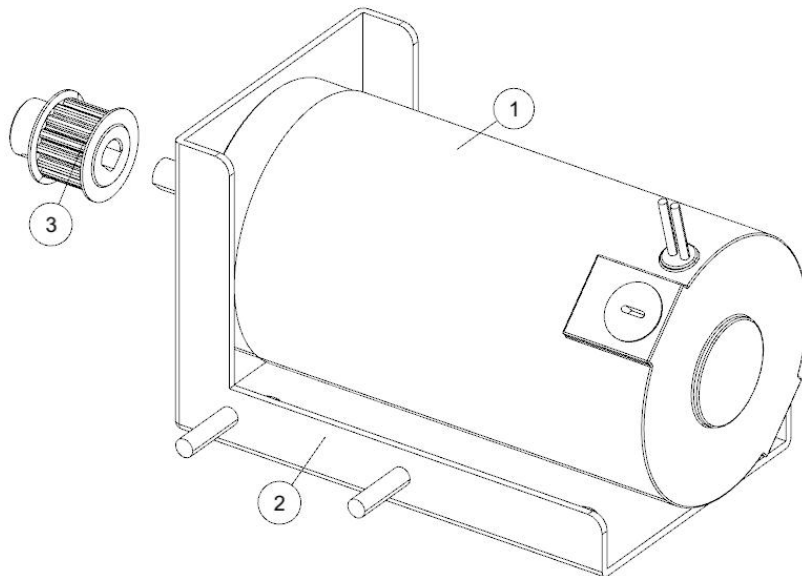
No.	Part No.	Code No.	Name	Version	Qty
1	W121-0636-00	202.4.2142.033	Fishing rod mounting plate	1.1	1
2	W121-0637-00	202.4.2142.040	L side mounting plate	1.1	1
3	W121-0638-00	202.4.2142.038	Support rod	1.1	1
4	W121-0639-00	202.4.2142.039	Flat key C	1.1	1
5	W121-0640-00	2.34.13.000002A	Magnetic powder brake	1.1	1
6	W121-0641-00	202.4.2142.034	Clutch mounting plate	1.1	1
7	W121-0642-00	202.4.2142.035	Magnetic powder brake axle	1.1	1
8	W121-0643-00	202.4.2142.042	Back fence plate	1.1	1
9	W121-0644-00	202.4.2142.036	Coder plate	1.1	1
10	W121-0645-00	202.4.2142.037	Sensor mounting plate	1.1	1
11	W121-0646-00	202.4.1915.024	Side light cover PC	1.1	1
12	W121-0647-00	202.4.2142.041	Bottom fence plate	1.1	1

9.17 Fishing Rod Rolling Wheel Assembly



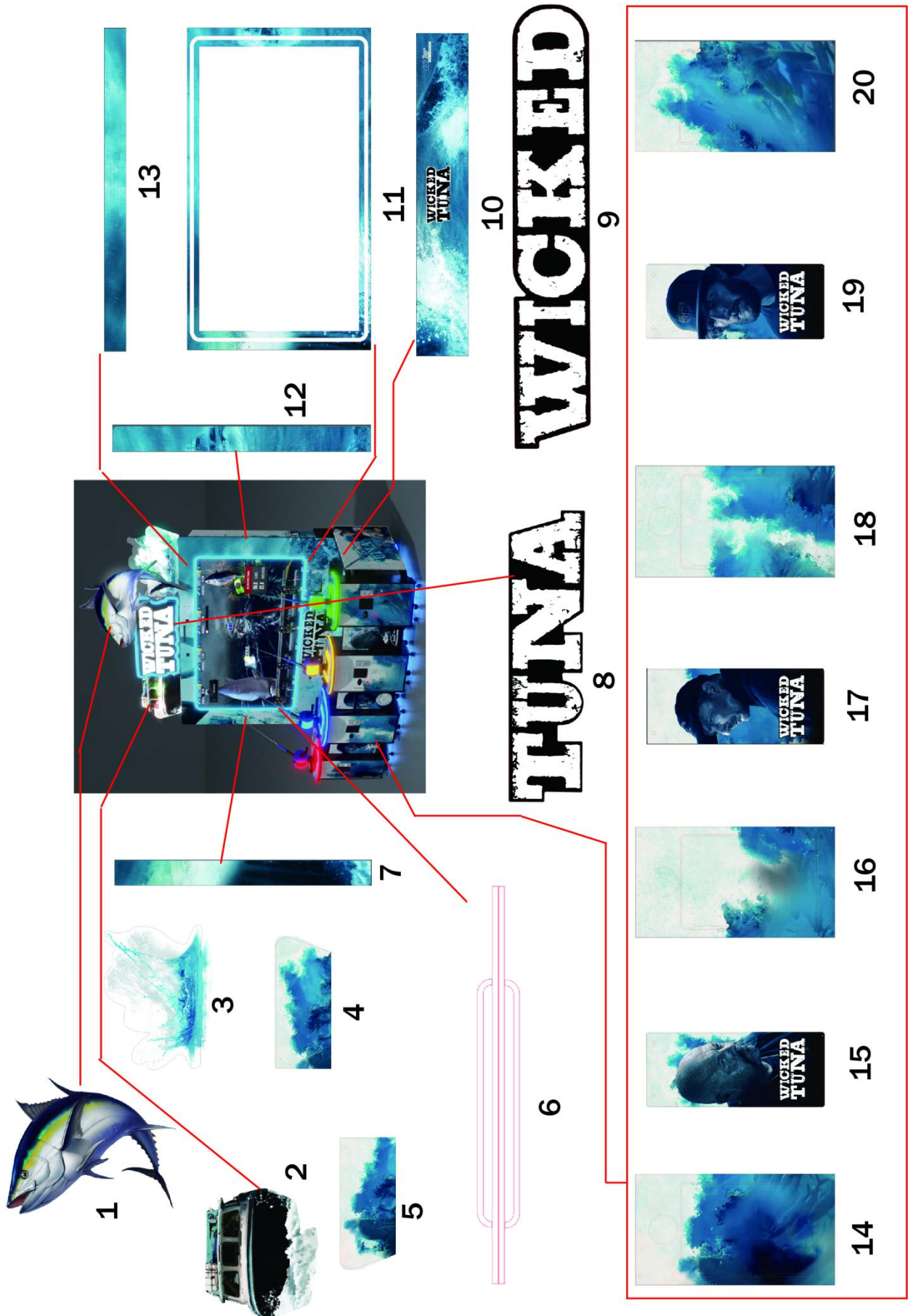
No.	Part No.	Code No.	Name	Version	Qty
1	W121-0624-00	202.4.2142.027	Bearing plate B	1.1	2
2	W121-0625-00	201.06.000083	Deep groove ball bearing	1.1	2
3	W121-0626-00	202.4.2142.028	Transit axle	1.1	1
4	W121-0627-00	202.4.2142.029	Transit large wheel	1.1	1
5	W121-0628-00	202.4.2142.030	Transit small wheel	1.1	1
6	W121-0629-00	202.4.2142.095	Flat key D	1.1	1
7	W121-0630-00	2.65.04.000131	Synchronous belt	1.1	1
8	W121-0631-00	202.4.2142.026	Transit base plate	1.1	1
9	W121-0632-00	2.65.04.000008	Synchronous belt	1.1	1

9.18 Fishing Rod Motor Assembly

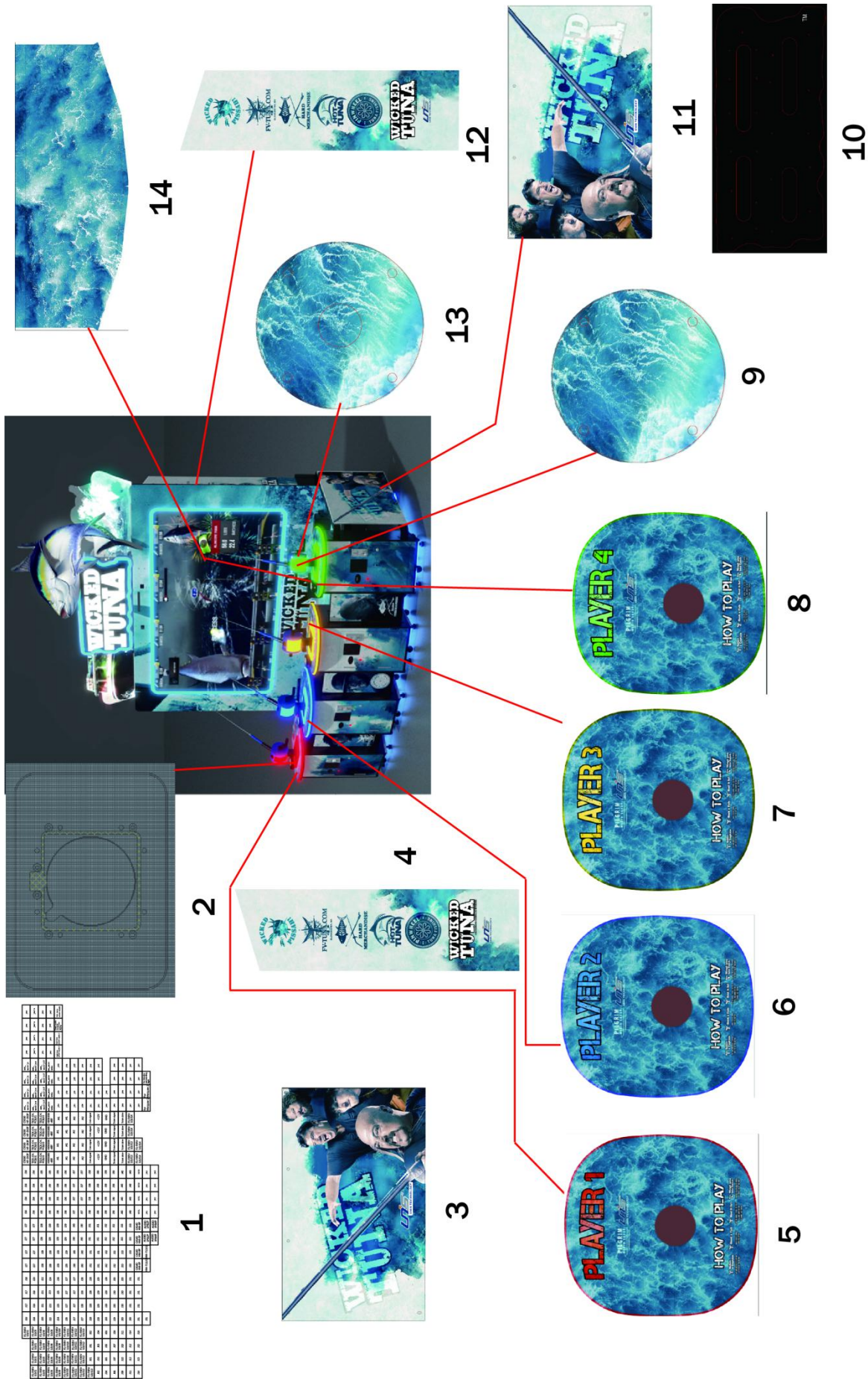


No.	Part No.	Code No.	Name	Version	Qty
1	W121-0620-00	2.34.04.000249	DC motor	1.1	1
2	W121-0621-00	202.4.2142.031	Motor plate	1.1	1
3	W121-0622-00	202.4.2142.032	Driving wheel	1.1	1

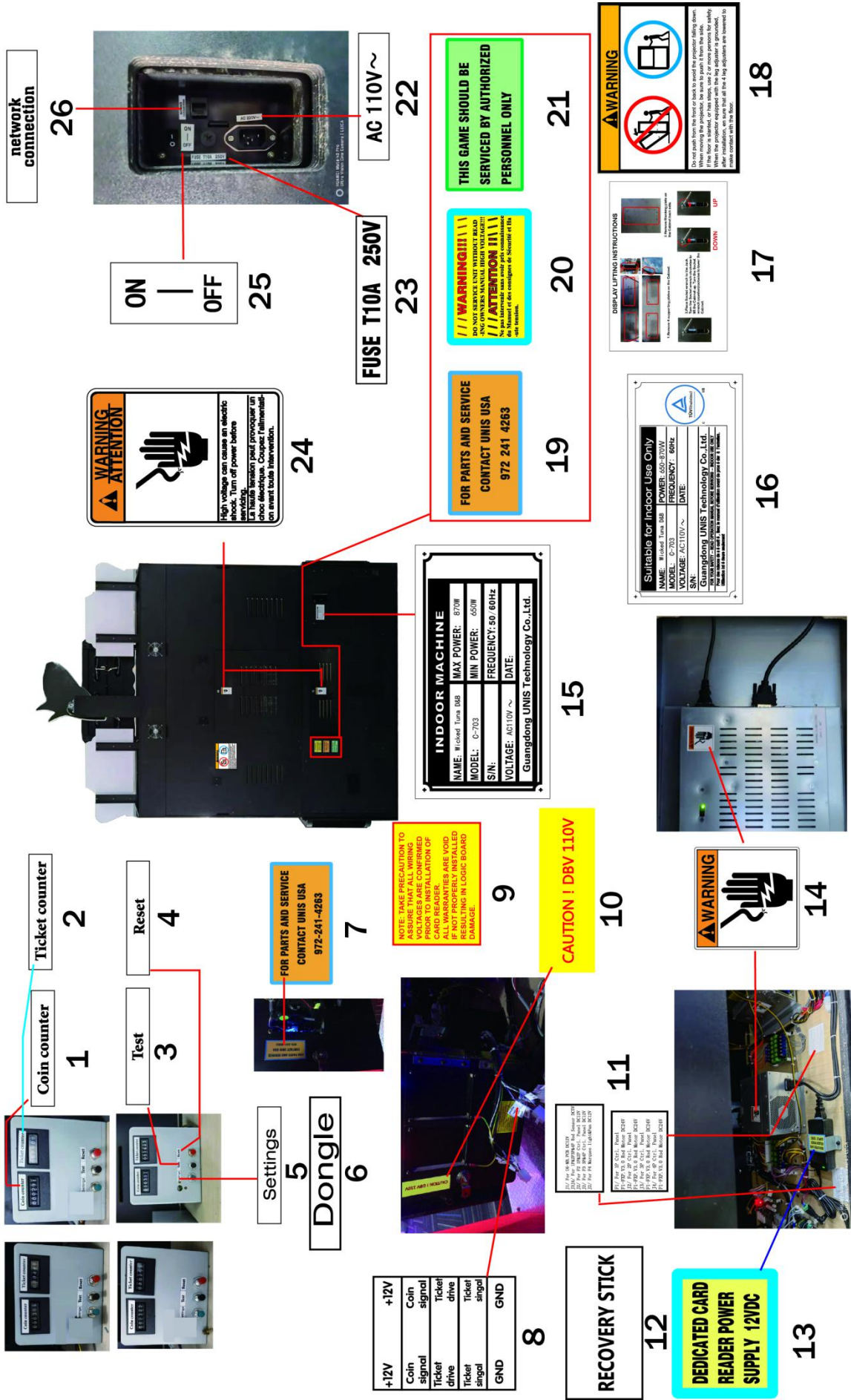
9.19 Decal Part



No.	Part No.	Code No.	Name	Version	Qty
1	W121-1111-00	205.4.2142.041	Fish plastic	1.1	1
2	W121-0705-00	205.4.2142.040	Boat plastic	1.1	1
3	W121-1705-00	205.4.2142.042	Water drop PVC	1.1	1
4	W121-1704-00	205.4.2142A.029A	R background Andy board	1.1	1
5	W121-1702-00	205.4.2142A.028A	L background Andy board	1.1	1
6	W121-2116-00	205.4.2142A.011	Monitor light plastic decal	1.1	1
7	W121-0502-00	205.4.2142A.004	Monitor L side plastic	1.1	1
8	W121-0803-00	205.4.2142.007	Bottom light plastic	1.1	1
9	W121-0805-00	205.4.2142.006	Upper light plastic	1.1	1
10	W121-0006-00	205.4.2142A.002	Monitor front plastic B	1.1	1
11	W121-0005-00	205.4.2142A.001	Monitor front plastic A	1.1	1
12	W121-0902-00	205.4.2142A.005	Monitor R side plastic	1.1	1
13	W121-0004-00	205.4.2142A.003	Monitor front decal	1.1	1
14	W121-2120-00	205.4.2142A.015	Ctrl. panel 1P door decal	1.1	1
15	W121-2119-00	205.4.2142A.014	L character PVC	1.1	1
16	W121-2121-00	205.4.2142A.016	Ctrl. panel 2P door decal	1.1	1
17	W121-2118-00	205.4.2142A.013	Mid character PVC	1.1	1
18	W121-2122-00	205.4.2142A.017	Ctrl. panel 3P door decal	1.1	1
19	W121-2117-00	205.4.2142A.012	R character PVC	1.1	1
20	W121-2123-00	205.4.2142A.018	Ctrl. panel 4P door decal	1.1	1

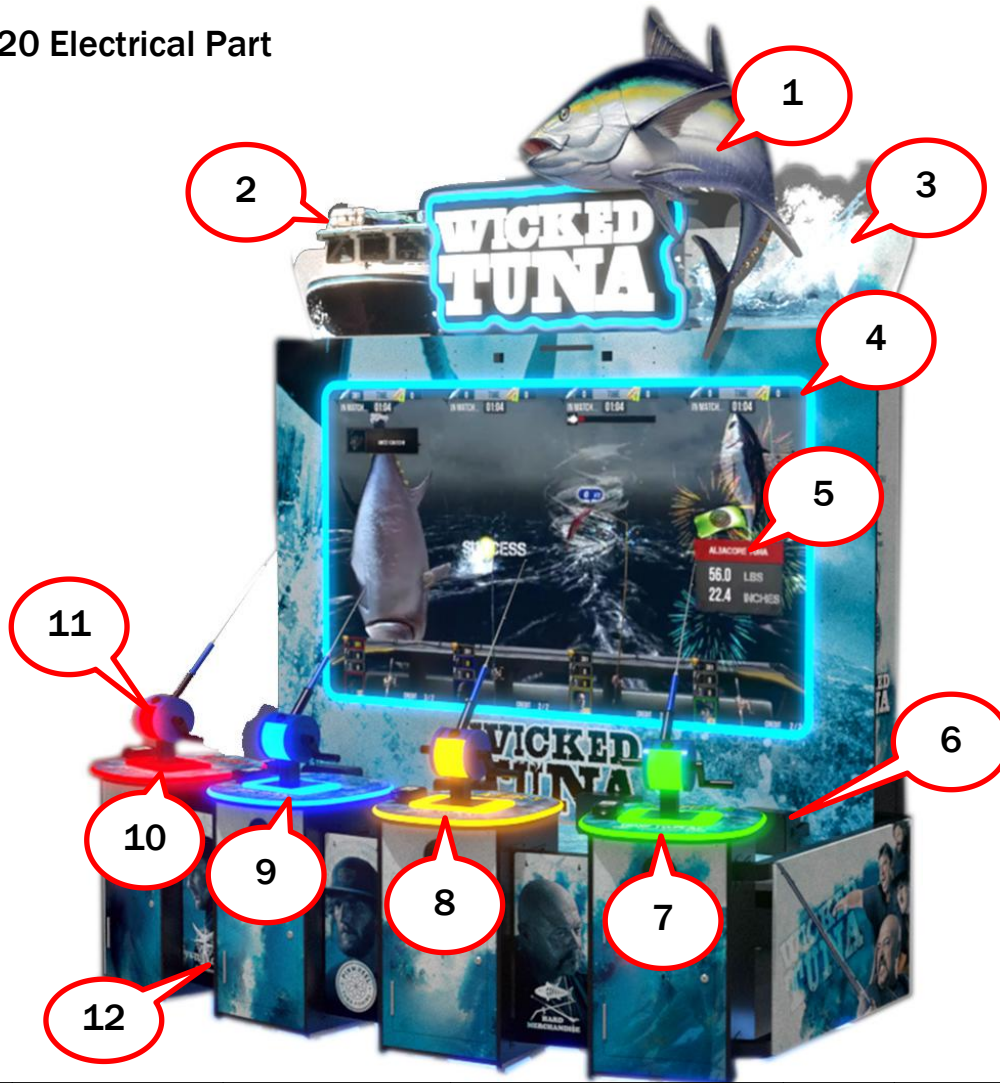


No.	Part No.	Code No.	Name	Version	Qty
1	W121-2129-00	205.4.2142A.025	Wiring decal	1.1	1
2	W121-0303-00	205.4.2142A.009	Ctrl. panel upper light plastic	1.1	1
3	W121-2127-00	205.4.2142A.023	L side PVC	1.1	1
4	W121-2128-00	205.4.2142A.024	L upper side PVC	1.1	1
5	W121-2133-00	205.4.2142A.031	Ctrl. panel 1P decal	1.1	1
6	W121-2134-00	205.4.2142A.032	Ctrl. panel 2P decal	1.1	1
7	W121-2135-00	205.4.2142A.033	Ctrl. panel 3P decal	1.1	1
8	W121-2136-00	205.4.2142A.034	Ctrl. panel 4P decal	1.1	1
9	W121-2137-00	205.4.2142A.036	L side rotation PVC	1.1	1
10	W121-2132-00	205.4.2142A.030	Marquee background decal	1.1	1
11	W121-2124-00	205.4.2142A.019	R side PVC	1.1	1
12	W121-2125-00	205.4.2142A.020	R upper side PVC	1.1	1
13	W121-2126-00	205.4.2142A.021	R side rotation PVC	1.1	1
14	W121-0107-00	205.4.2142A.008	Cloth	1.1	1

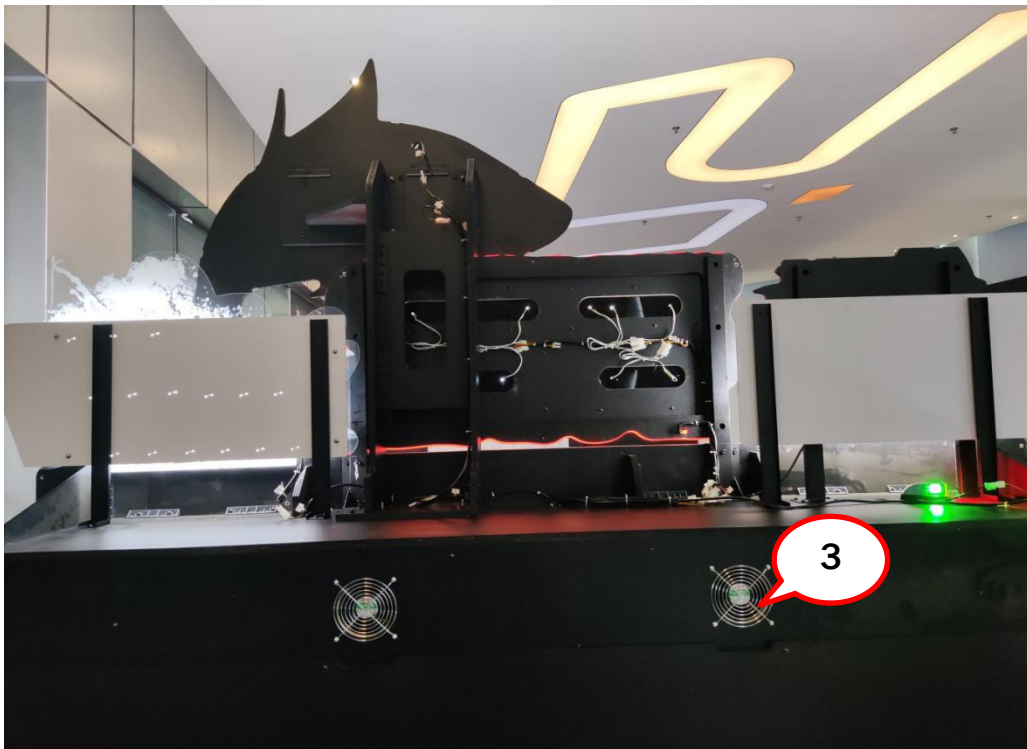


No.	Part No.	Code No.	Name	Version	Qty
1	W121-2139-00	2.56.00.000001	Coin counter decal	1.1	4
2	W121-2140-00	2.56.00.000002	Ticket counter decal	1.1	4
3	W121-2142-00	2.56.00.000005	Test decal	1.1	4
4	W121-2141-00	2.56.00.000006	Reset decal	1.1	4
5	W121-2143-00	2.56.00.000092	Settings decal	1.1	4
6	W121-2113-00	2.56.00.000093	Dongle decal	1.1	1
7	W121-2115-00	2.56.00.000096	Service decal(S)	1.1	4
8	W121-2102-00	205.1.1707H.016	AAMA wiring label	1.1	4
9	W121-2103-00	205.1.1707K.020	AAMA warning label	1.1	4
10	W121-2106-00	2.56.00.000117	DBV label	1.1	4
11	W121-2131-00	205.4.2142A.027	Fuse decal	1.1	1
12	W121-2105-00	2.56.00.000116	Recovery stick label	1.1	1
13	W121-2104-00	205.1.1605A.040	Adapter decal	1.1	1
14	W121-2108-00	2.56.00.000036	High voltage label(S)	1.1	4
15	W121-2130-00	205.4.2142A.026	110V nameplate	1.1	1
16	W121-2146-00	205.4.2142A.037	110V nameplate(TUV)	1.1	1
17	W121-2138-00	205.4.2142A.038	Lift instruction	1.1	1
18	W121-2110-00	2.56.00.000060	Pushing warning decal	1.1	1
19	W121-2114-00	2.56.00.000095	Service decal(L)	1.1	1
20	W121-2145-00	2.56.00.000119	Service label	1.1	1
21	W121-2109-00	2.56.00.000042	Service decal	1.1	1
22	W121-2111-00	2.56.00.000071	110V label	1.1	1
23	W121-2112-00	2.56.00.000077	Fuse decal	1.1	1
24	W121-2144-00	2.56.00.000118	CEC high voltage decal	1.1	2
25	W121-2107-00	2.56.00.000016	Power SW decal	1.1	1
26	W121-2147-00	2.56.00.000097	Network label	1.1	1

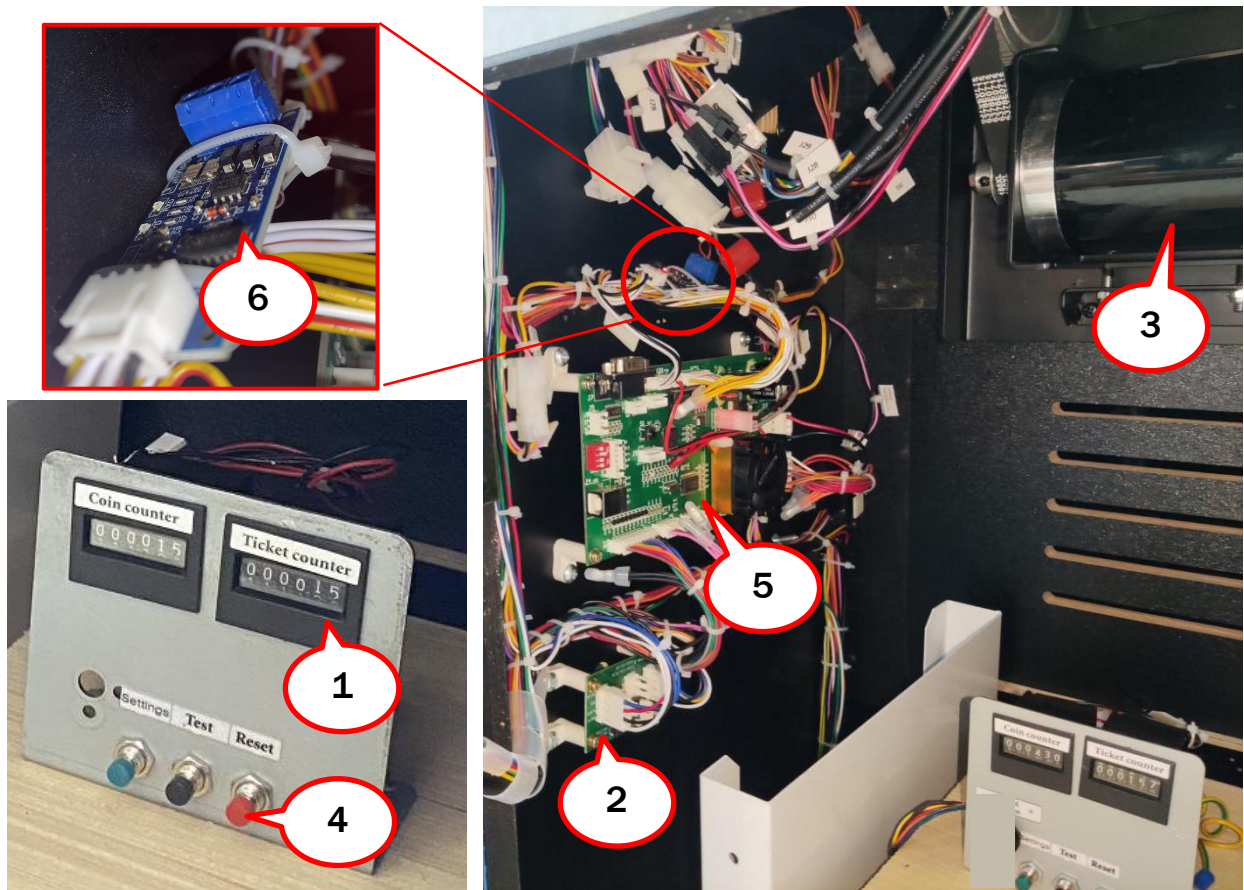
9.20 Electrical Part



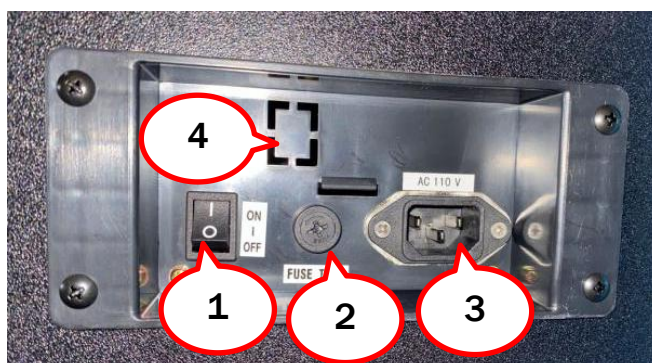
No.	Part No.	Code No.	Name	Version	Qty
1	W121-2037-00	2.20.02.020029	2835 white light strip	1.1	151.18in (3840mm)
2	W121-2037-00	2.20.02.020029	2835 white light strip	1.1	97.44in (2475mm)
	W121-2049-00	2.20.09.000015	Warning light	1.1	1
3	W121-2037-00	2.20.02.020029	2835 white light strip	1.1	53.14in (1350mm)
4	W121-2036-00	2.20.02.020031	5050 RGB light strip	1.1	236.22in (6000mm)
5	W121-2022-00	2.12.01085001	85" monitor	1.1	1
	W121-2012-00	2.33.07.050011	DP-DVI video cable	1.1	1
6	W121-2026-00	2.28.06.010007	4" speaker	1.1	4
7	W121-2036-00	2.20.02.020031	5050 RGB light strip	1.1	17.71in (450mm)
	W121-2036-00	2.20.02.020031	5050 RGB light strip	1.1	64.96in (1650mm)
8	W121-2036-00	2.20.02.020031	5050 RGB light strip	1.1	17.71in (450mm)
	W121-2036-00	2.20.02.020031	5050 RGB light strip	1.1	64.96in (1650mm)
9	W121-2036-00	2.20.02.020031	5050 RGB light strip	1.1	17.71in (450mm)
	W121-2036-00	2.20.02.020031	5050 RGB light strip	1.1	64.96in (1650mm)
10	W121-2036-00	2.20.02.020031	5050 RGB light strip	1.1	17.71in (450mm)
	W121-2036-00	2.20.02.020031	5050 RGB light strip	1.1	64.96in (1650mm)
11	W121-2011-00	297.4.1915002	Rod light board	1.1	1×4
12	W121-2047-00	2.20.02.011005	BG2835B blue light strip	1.1	9.84in×3(250mm×3)



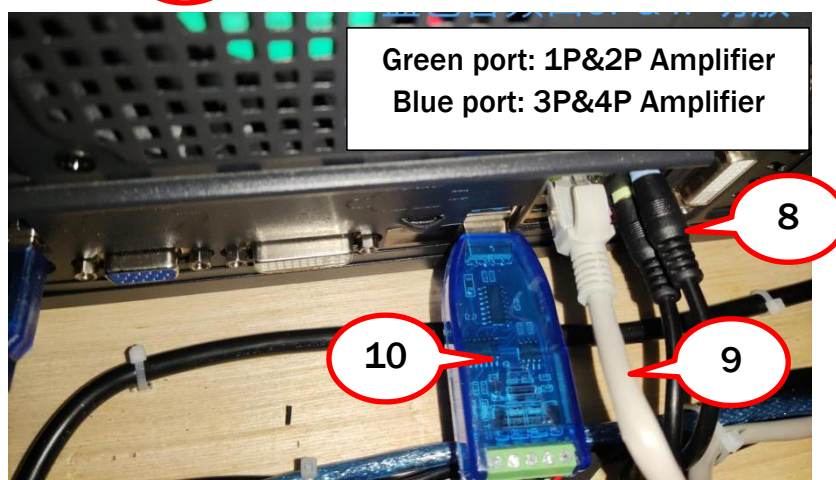
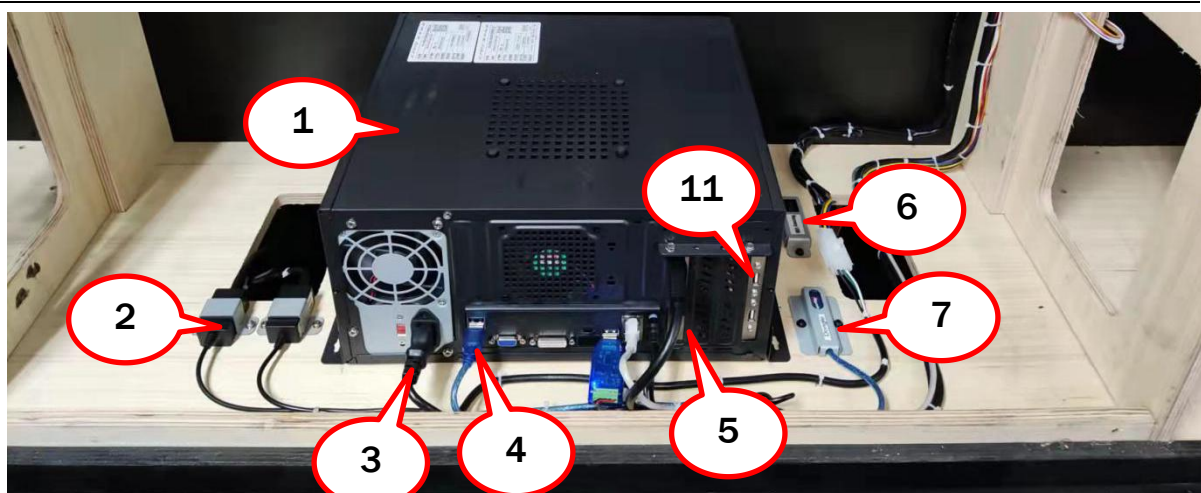
No.	Part No.	Code No.	Name	Version	Qty
1	W121-2026-00	2.28.06.010007	4" speaker	1.1	4
2	W121-0109-00	206.4.2002.026	Rod	1.1	4
3	W121-2034-00	2.27.02.000010	Fan net	1.1	4
	W121-2035-00	2.27.02.010025	Fan	1.1	2
4	W121-2017-00	2.24.02.000201	Button	1.1	4
5	W121-0105-00	2.51.08.070009	Wiring box	1.1	4



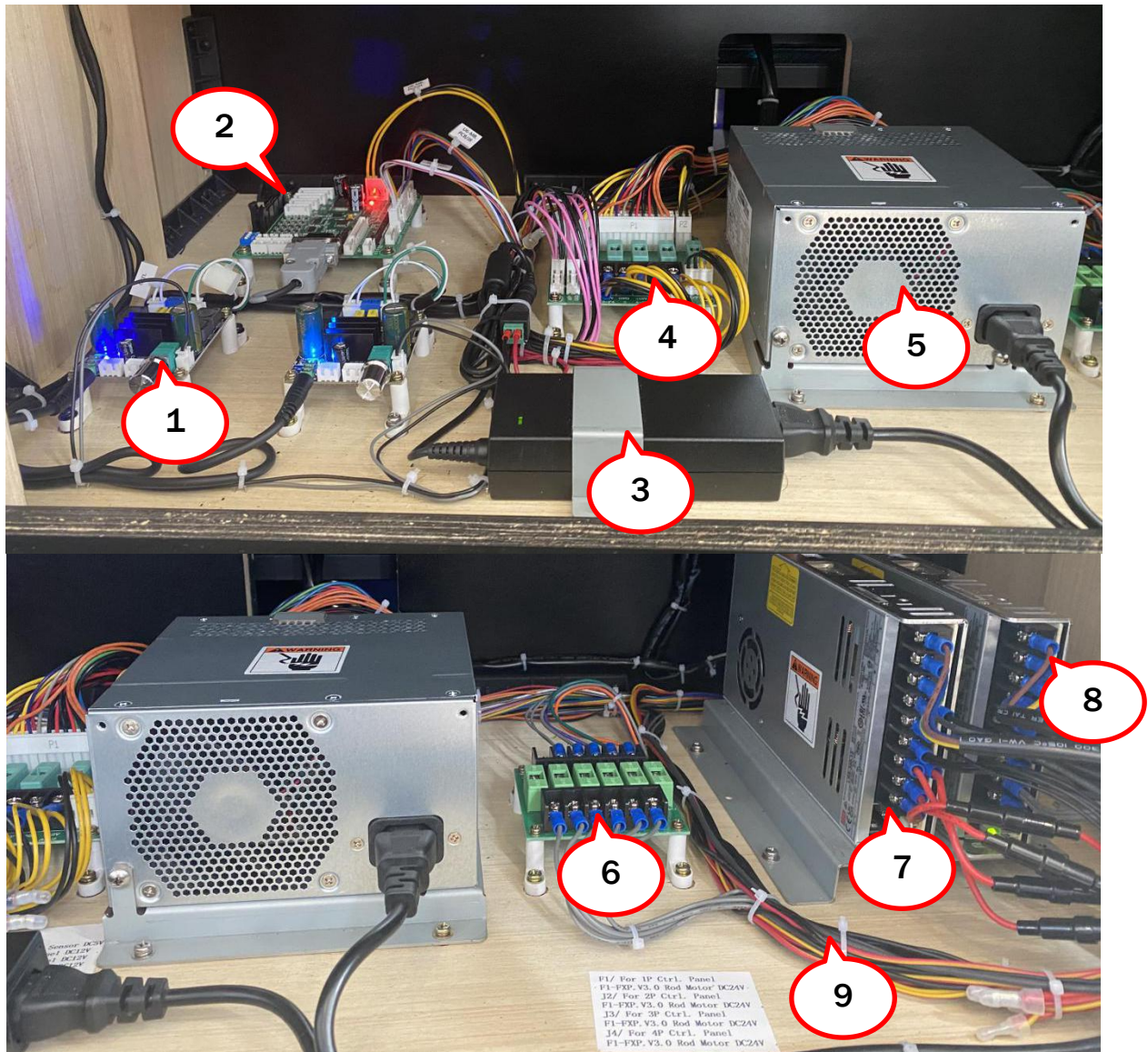
No.	Part No.	Code No.	Name	Version	Qty
1	W121-2013-00	2.30.00000006	Counter	1.1	8
2	W121-2019-00	297.9.0700002	Ticket converted board	1.1	4
3	W121-0620-00	2.34.04.000249	DC motor	1.1	4
4	W121-2007-00	2.24.02.010002	Button(red)	1.1	4
	W121-2008-00	2.24.02.030002	Button(green)	1.1	4
	W121-2009-00	2.24.02.050001	Button(black)	1.1	4
5	W121-2015-00	2.17.14.000233	Forces Feedback System board	1.1	1
6	W121-2028-00	2.14.12.030004	TTL to 485 serial port(MK742)	1.1	4



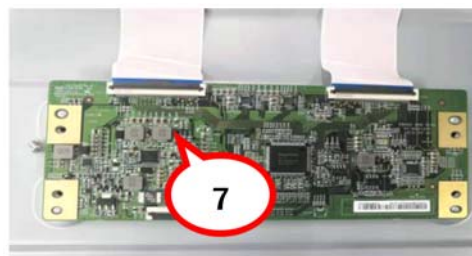
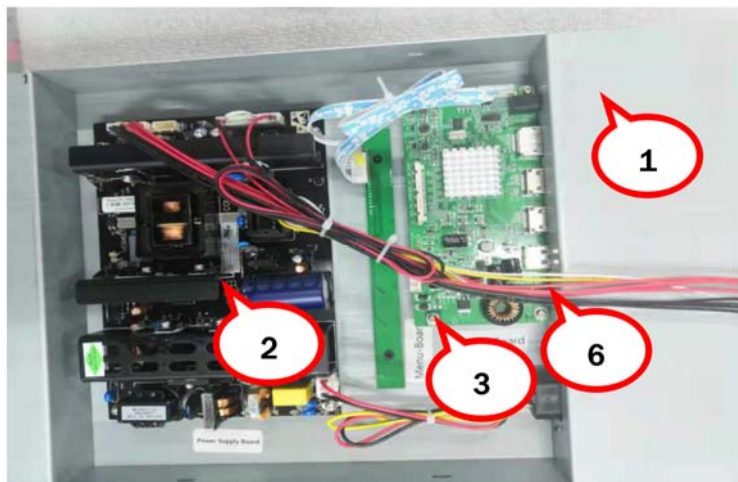
No.	Part No.	Code No.	Name	Version	Qty
1	W121-2004-00	2.26.01.000005	Rocket SW	1.1	1
2	W121-2002-00	2.19.02.000006	Fuse	1.1	1
3	W121-2003-00	2.32.01000001A	Filter	1.1	1
4	W121-2023-00	2.33.02.000001	Network port	1.1	1



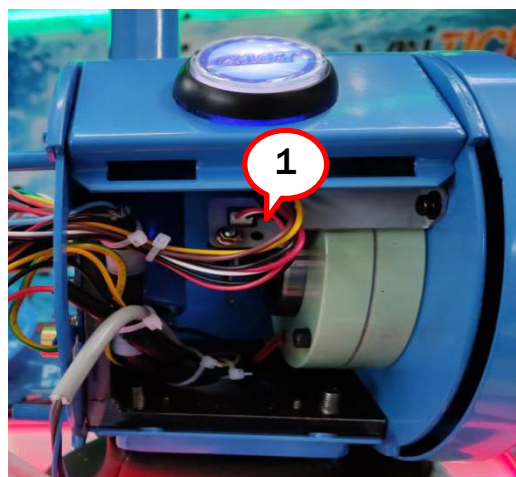
No.	Part No.	Code No.	Name	Version	Qty
1	W121-2030-00	2.11.02000094	PC	1.1	1
	W121-2050-00	2.66.01.120315	Mainboard	1.1	1
	W121-2051-00	2.11.07.190017	CPU	1.1	1
	W121-2052-00	2.11.07.070003	CPU fan	1.1	1
	W121-2053-00	2.66.01.090508	Hard disk	1.1	1
	W121-2054-00	2.11.07.030102	Video card	1.1	1
	W121-2055-00	2.11.07.170012	PC power supply	1.1	1
	W121-2056-00	2.66.01.120236	PC case	1.1	1
	W121-2057-00	2.66.01.120235	Fan	1.1	1
2	W121-2040-00	2.28.07.000003	Audio isolator	1.1	2
3	W121-2038-00	2.33.01.018002	Power cord	1.1	1
4	W121-2018-00	2.33.04.000100	Extension cable	1.1	1
5	W121-2012-00	2.33.07.050011	DP-DVI video cable	1.1	1
6	W121-2032-00	4.13.00000008	Recovery stick	1.1	1
7	W121-2010-00	2.11.09.000011	Dongle	1.1	1
8	W121-2006-00	2.33.05.000004	Audio cable	1.1	2
9	W121-2024-00	2.33.02.000011	Network cable	1.1	1
10	W121-2027-00	2.14.12.030003	TTL to 485 serial port(RS281)	1.1	1
11	W121-2029-00	2.33.04.080016	USB blanking plate	1.1	1



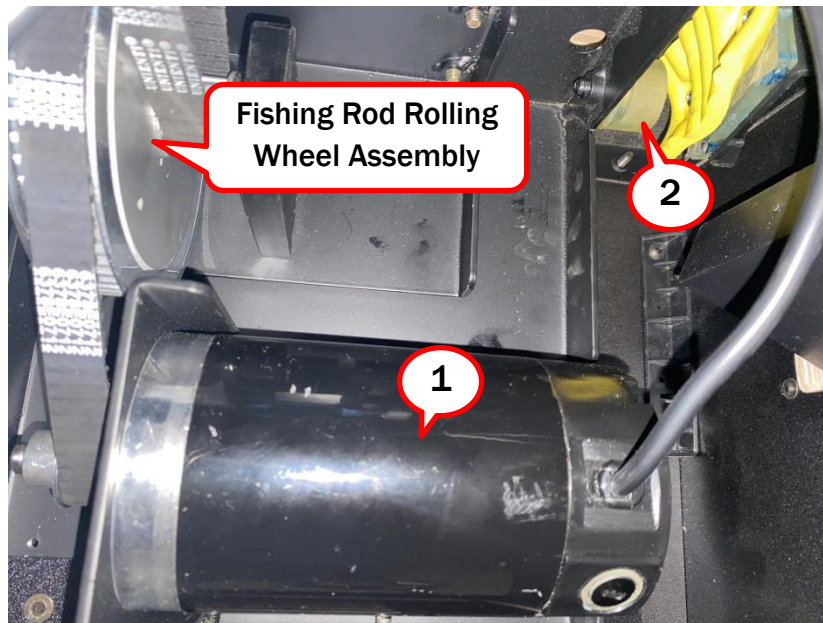
No.	Part No.	Code No.	Name	Version	Qty
1	W121-2048-00	2.28.03.010011	Amplifier	1.1	2
2	W121-2041-00	297.9.0300007A	U6 mainboard	1.1	1
3	W121-2005-00	2.16.03.000076	Adapter	1.1	1
	W121-2038-00	2.33.01.018002	Power cord	1.1	1
4	W121-2045-00	2.17.14.000244	Fuse board(12V)	1.1	2
5	W121-2042-00	2.16.02.000106	Power supply	1.1	1
	W121-2038-00	2.33.01.018002	Power cord	1.1	1
6	W121-2044-00	2.17.14.000243	Fuse board(24V)	1.1	1
7	W121-2021-00	2.16.02.000117	Power supply(12V)	1.1	1
8	W121-2043-00	2.16.02.000105	Power supply(24V)	1.1	1
9	W121-2031-00	298.00.000132	Cable set	1.1	1 Set



No.	Part No.	Code No.	Name	Version	Qty
1	W121-2062-00	2.16.02.000151	Chassis kit of 86" monitor	V1.1	1
2	W121-2059-00	2.16.02.000150	Power board	V1.1	1
3	W121-2058-00	2.17.03.010011	Driver board	V1.1	1
4	W121-2061-00	2.17.14.000256	5-key board	V1.1	1
5	W121-2060-00	2.17.12.000017	Converted board	V1.1	1
6	W121-2063-00	2.66.01.120339	Cable set	V1.1	1
7	W121-2064-00	2.66.01.120340	Logical board	V1.1	1



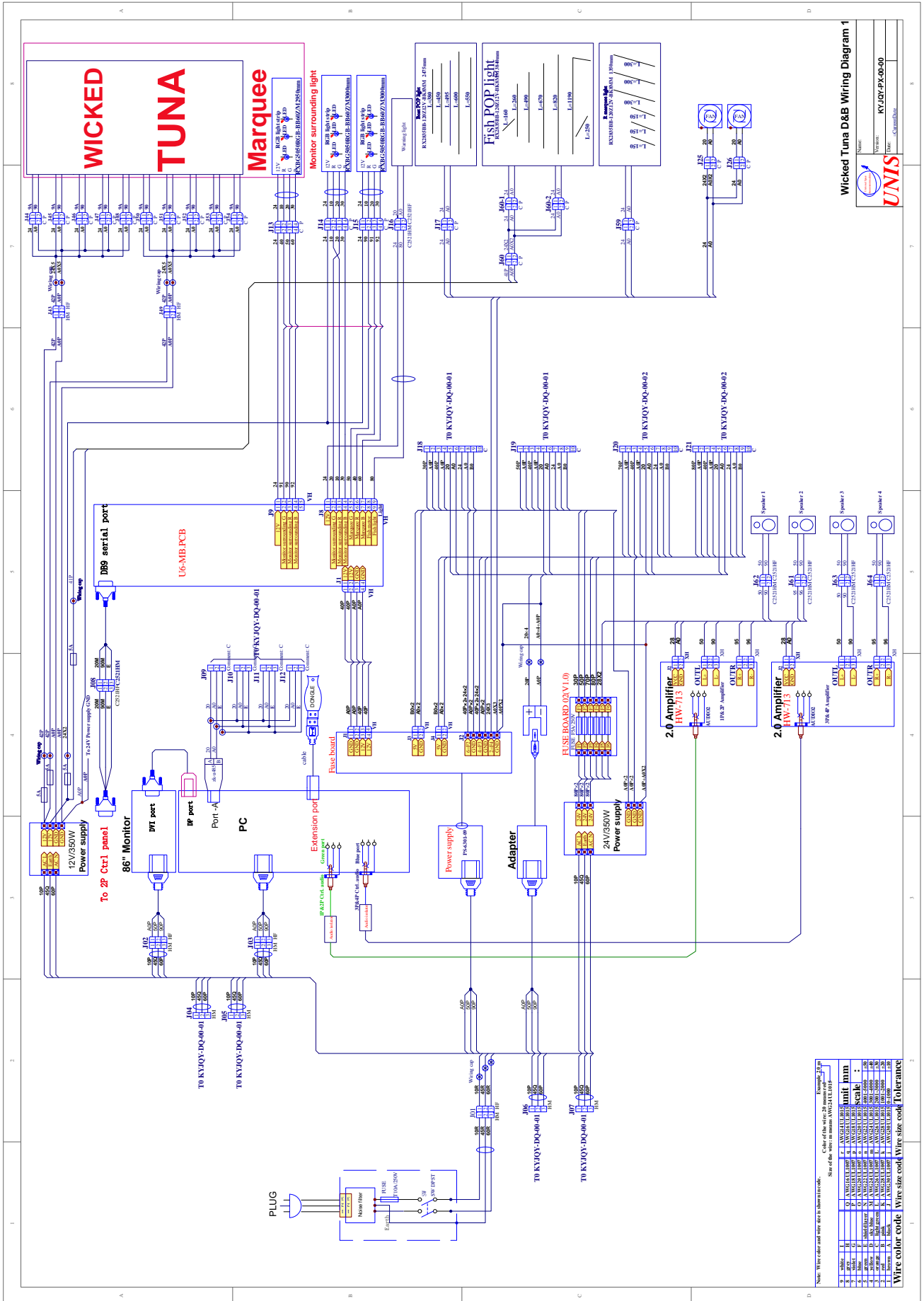
No.	Part No.	Code No.	Name	Version	Qty
1	W121-2014-00	2.15.03.000054	Optoelectronic switch	V1.1	4



No.	Part No.	Code No.	Name	Version	Qty
1	W121-0620-00	2.34.04.000249	DC motor	1.1	1
2	W121-2020-00	2.25.01000030	POT	1.1	8

www.unistechnology.com

10. WIRING DIAGRAM



Wicked Tuna D&B Wiring Diagram 1

UNIS

Version: KY-DY-PC-00-00

Date: 00/00/00

Author: 00/00/00

