

WICKED TUNA



IMPORTANT



Be Sure
to Read this
Manual
Before Use

UNIS[®]

UNIS TECHNOLOGY

Operation Manual

WE ARE HERE TO ASSIST For parts and service



Have Questions? Contact us!

UNIS SERVICE CENTER
Tel: 972-241-4263
Email: service@unispartsandservice.com
www.unispartsandservice.com

When contacting Service, you will need the following information and the name of your authorized distributor.

| INDOOR MACHINE | |
|------------------------------------|----------------------|
| NAME: Wicked Tuna 2P GMP | MAX POWER: 650W |
| MODEL: C-725 | MIN POWER: 580W |
| S/N: | FREQUENCY: 50 / 60Hz |
| VOLTAGE: AC220V ~ | DATE: |
| Guangdong UNIS Technology Co.,Ltd. | |

| INDOOR MACHINE | |
|------------------------------------|----------------------|
| NAME: Wicked Tuna 2P GMP | MAX POWER: 650W |
| MODEL: C-725 | MIN POWER: 580W |
| S/N: | FREQUENCY: 50 / 60Hz |
| VOLTAGE: AC110V ~ | DATE: |
| Guangdong UNIS Technology Co.,Ltd. | |

CONTENT

| | |
|---------------------------------------|----|
| IMPORTANT SAFETY INSTRUCTIONS..... | 3 |
| 1. SPECIFICATIONS..... | 5 |
| 2. CONTENTS OF THE ACCESSORY KIT..... | 6 |
| 3. PART NAME..... | 7 |
| 4. SET UP & INSTALLATION..... | 8 |
| 5. HOW TO PLAY..... | 16 |
| 6. GAME OPTION..... | 19 |
| 7. TROUBLESHOOTING..... | 23 |
| 8.MAINTENANCE & INSPECTION..... | 26 |
| 9. OVERALL CONSTRUCTION..... | 36 |
| 10. WIRING DIAGRAM..... | 60 |

Thank you for purchasing **Wicked Tuna 2P GMP**. We hope you enjoy the product.

This manual contains valuable information about how to operate and maintain your game machine properly and safely. It is intended for the owner and/or personnel in charge of product operation. Carefully read and understand the instructions.

If you need any help during installation and setup please utilize this manual and troubleshooting guide. If the product fails to function properly, *non-technical personnel should under no circumstance attempt to service the machine*. Contact your distributor or manufacturer for help.

Before use, please read **IMPORTANT SAFETY INSTRUCTIONS**.

IMPORTANT SAFETY INSTRUCTIONS

To ensure the safe usage of this product, carefully read and understand these instructions before operating your game.

Save these instructions for future reference.

Use this product only as described in this manual. Other uses not recommended may cause fire, electric shock or personal injury. Unplug the game from the outlet when not in use, when moving from one location to another, and before cleaning/servicing.

Explanations which require special attention are indicated by signs of warning. Depending on the potential hazardous degree, the terms: **NOTE**, **NOTICE**, and **WARNING** are used.

NOTE: A NOTE indicates useful hints or information about product usage.

NOTICE: A NOTICE indicates potential damage to product and how to avoid the problem.

WARNING: A WARNING indicates a potential for product damage or serious personal injury.

It is important to understand the meaning of the following HAZARD SIGNS before continuing:

High Voltage and Shock Hazard:

High voltage can cause electric shock.
Turn off/unplug power before servicing.



High Temperature Hazard:

This part may cause scalding.
Do not touch. Surface may be hot.



No Touching Hazard:

This part may be hot or can cause electric shock.
Do not touch.



Use the following safety guidelines to help ensure your own personal safety and to help protect your equipment and surrounding environment from potential damage.

⚠️ This product is an indoor game machine. Do not install outdoors.

Avoid installing in the following places to prevent fire, electric shock, injury and/or machine malfunctioning:

- Places subject to rain/moisture, or places subject to high humidity.
- Places subject to direct sunlight, or places subject to extremely hot or cold temperatures to ensure that it is used within the specified operating range.
- Places where inflammable gas may be present or in the vicinity of highly inflammable/volatile chemicals or items that can easily catch fire.
- On unstable or sloped surfaces. The machine may topple or cause unforeseen accidents.
- Vicinity of fire exits, fire extinguishers etc that may block/prevent safety measures.

IMPORTANT NOTE:

ALL REPAIRS MUST BE DONE TO ORIGINAL MANUFACTURER SPECIFICATIONS. FAILURE TO DO SO VOID ALL WARRANTIES AND OPERATOR ASSUMES ALL RISKS.

Note: The contents of this manual may be updated without notice.

1. SPECIFICATIONS

Rated power supply: AC110V 50/60Hz; AC220V 50/60Hz;

Min. Power consumption: 580W

Max. Power consumption: 650W

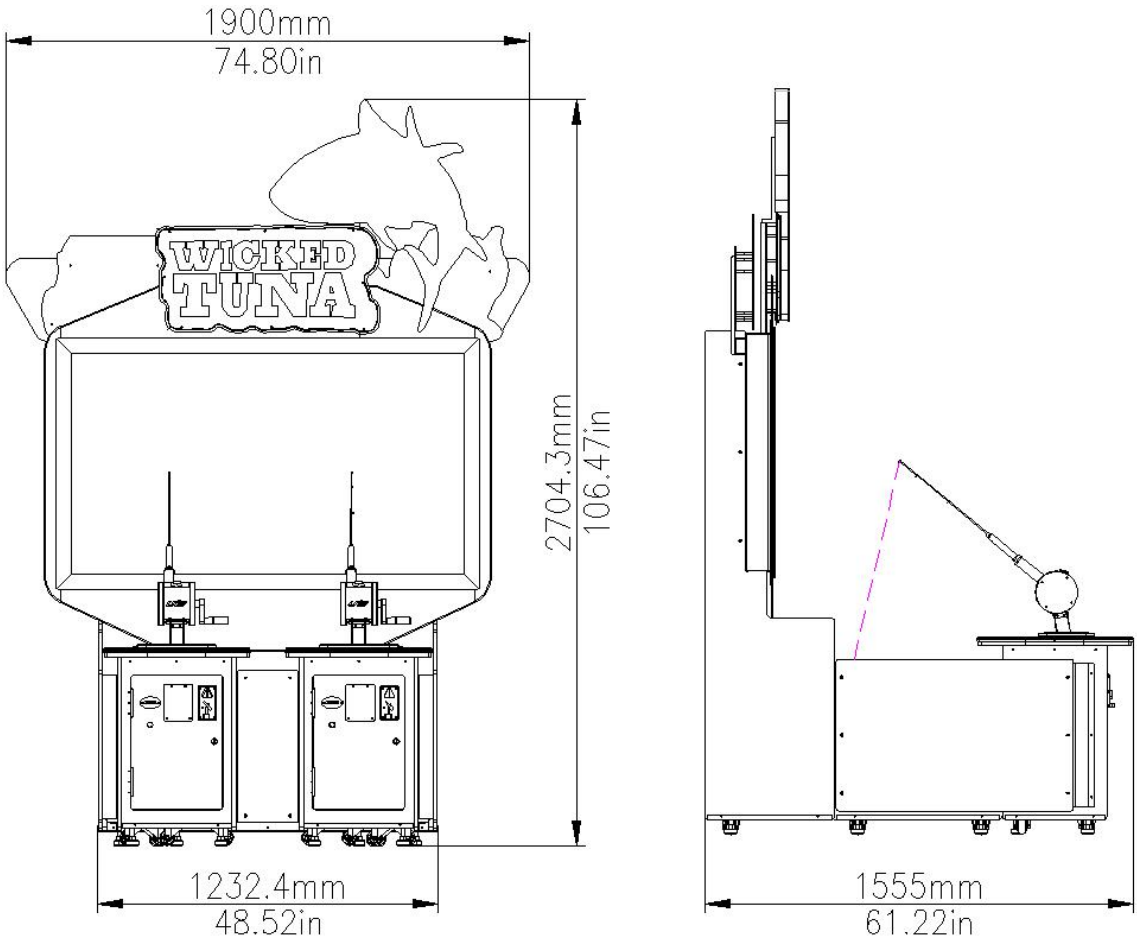
Dimension: H106.47 ×W48.52 ×D61.22 in

H2704.3× W1232.4 ×D1555mm

Model No: C-725

Part No: W122

! **NOTICE:** After turning off the game, please wait at least 1 minute before restarting again.










Note: Game specifications are subject to change without notice.

2. CONTENTS OF THE ACCESSORY KIT

Open the package and make sure all the items are included:

Following accessories

| No. | Part No. | Code No. | Name/SPEC | Picture | Qty |
|-----|--------------|-----------------|---|---|-----|
| 1 | W122-1002-00 | 2.33.01.010020 | Power cord 3×16AWG 1.8M |  | 1 |
| 2 | W122-1003-00 | 2.19.01.000030B | Fuse(T10A) Φ5×20mm T10A 250VAC (PSE UL) |  | 1 |
| 3 | W122-1004-00 | 2.53.00171002 | 171A key |  | 2 |
| 4 | W122-1005-00 | 2.53.00172002 | 171B key |  | 2 |
| 5 | W122-1006-00 | 4.14.40000511 | Manual 2P GMP |  | 1 |
| 6 | W122-0005-00 | 2.51.08.070009 | Wiring box 150cm, 80cm |  | 2 |
| 7 | W122-0012-00 | 206.4.2002.026 | Rod 0.6m |  | 2 |

NOTE: Part models are subject to change without notice.

3. PART NAME

Key Components



4. SET UP & INSTALLATION

⚠ NOTICE

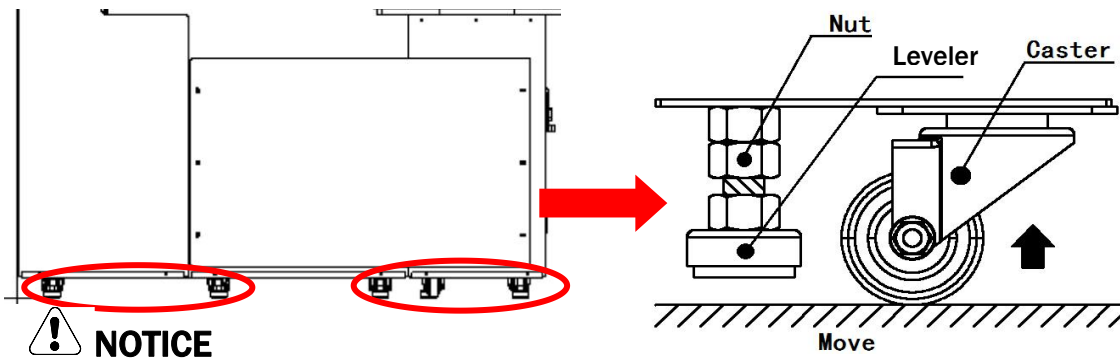
We do not recommend using power tools as they may cause damage.

⚠ **This product is an indoor game machine. Do not install outdoors.**

- Refer to IMPORTANT SAFETY INSTRUCTIONS (Pg. 3) for places to avoid.
- Place the unit on a dry level surface.
- Ventilation openings in the back of the unit must not be obstructed by objects or by wall.

4.1 Transporting the Game

If you need to move the game, adjust the levelers back to an “up” position.



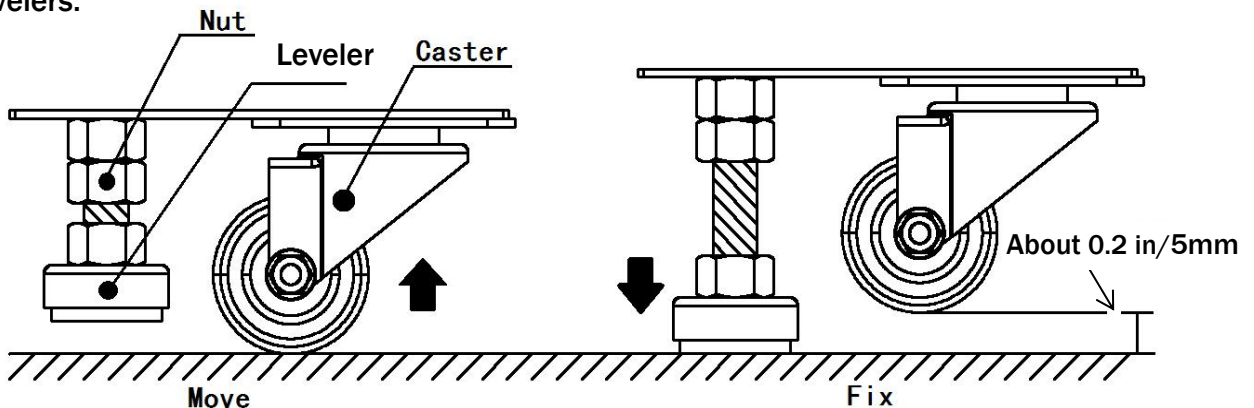
⚠ NOTICE

- Be careful not to damage the machine during transport.
- Always unplug the game before moving.
- Keep the machine in upright position during transport.
- For longer distance transport, package the game properly to prevent damages.

4.2 Level Adjustment

Install this game on a flat surface. If the game is installed on an unsuitable floor, it could cause game malfunction.

To secure the game, loosen the nut, utilize wrench to adjust the leveler down until it touches the floor, lifting the casters off the ground by 0.2 in/5mm. Repeat the same for all levelers.



⚠ NOTICE

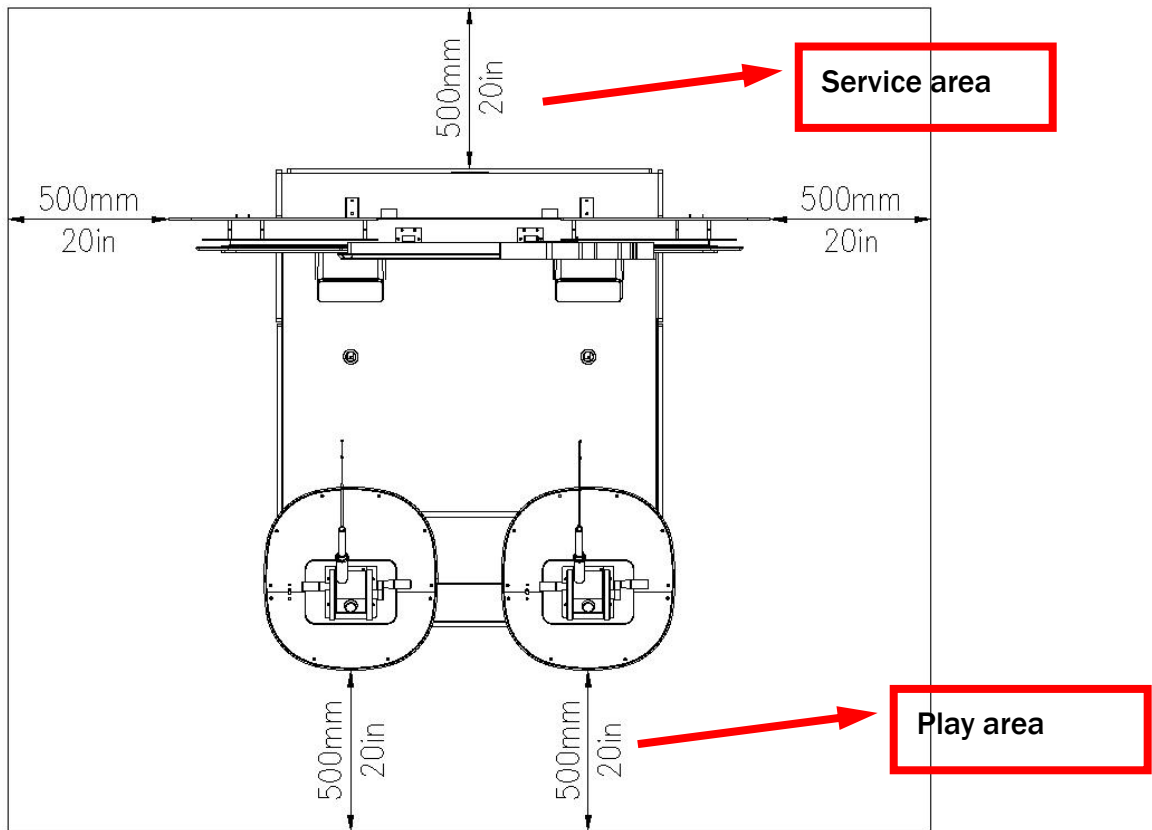
Make sure the machine is level.

4.3 Play Zone

This machine requires space for playing and for maintenance as shown below.

Leave space around the game upon installation:

Service area: 20 in





NOTICE

Your unit must be leveled to operate properly.

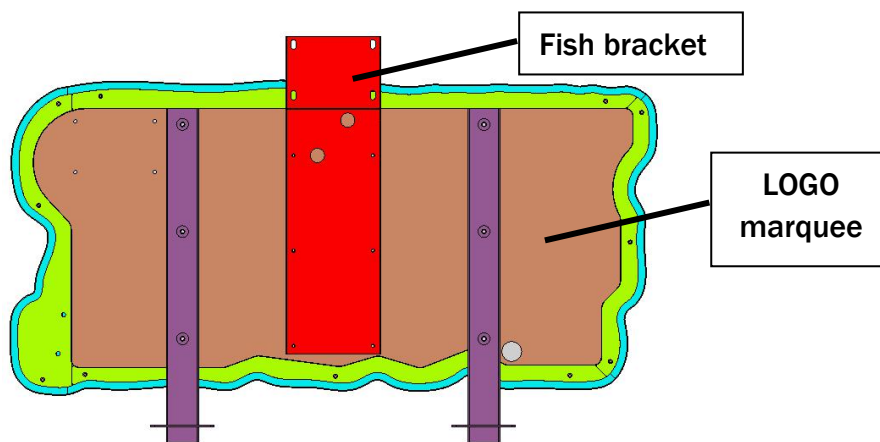
4.4 Machine Installation

Before processing with assembly assure you have the following tools.

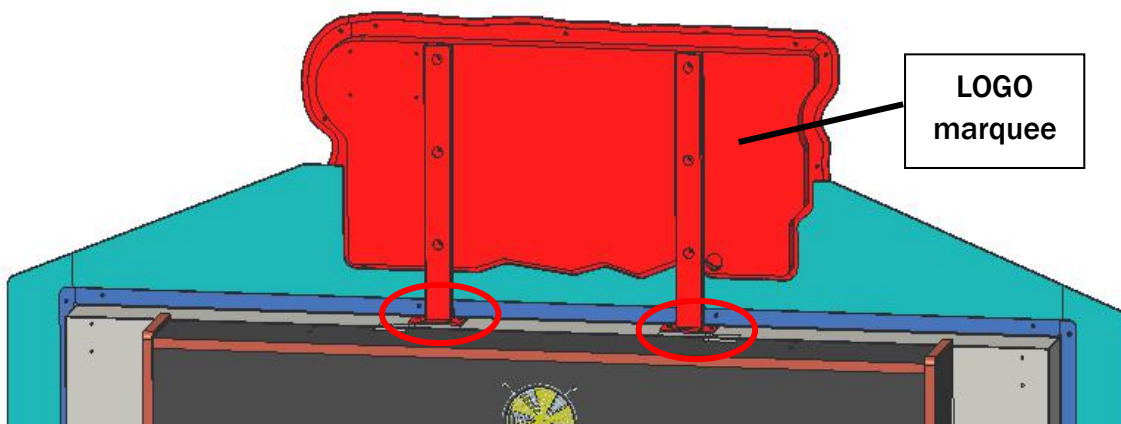
| No. | Name | Picture |
|-----|----------------------|--|
| 1 | Phillips screwdriver |  |
| 2 | Allen wrench |  |

Step 1 Utilize Phillips screwdriver to loosen the screws to remove all the assembly on the Wooden base.

Step 2 Locate LOGO marquee. Loosen screws to remove Fish bracket.

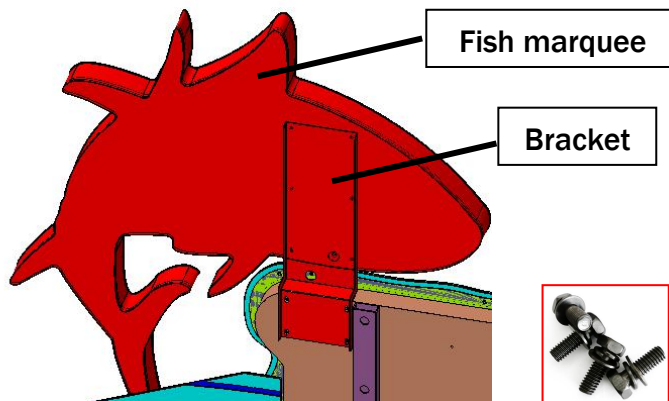


Step 3 Install LOGO marquee to the Monitor cabinet. Utilize screws to secure LOGO marquee to the Monitor cabinet. Connect the connector.



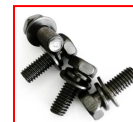
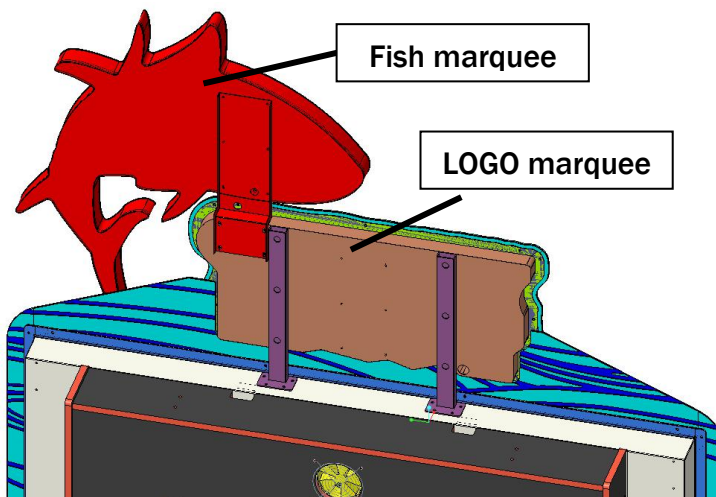
| | |
|-------|----------------------------------|
| Name | Cross recessed hexagon screw set |
| Spec. | M5×10 |
| Qty | 8 |

Step 4 Install Fish marquee to the bracket.



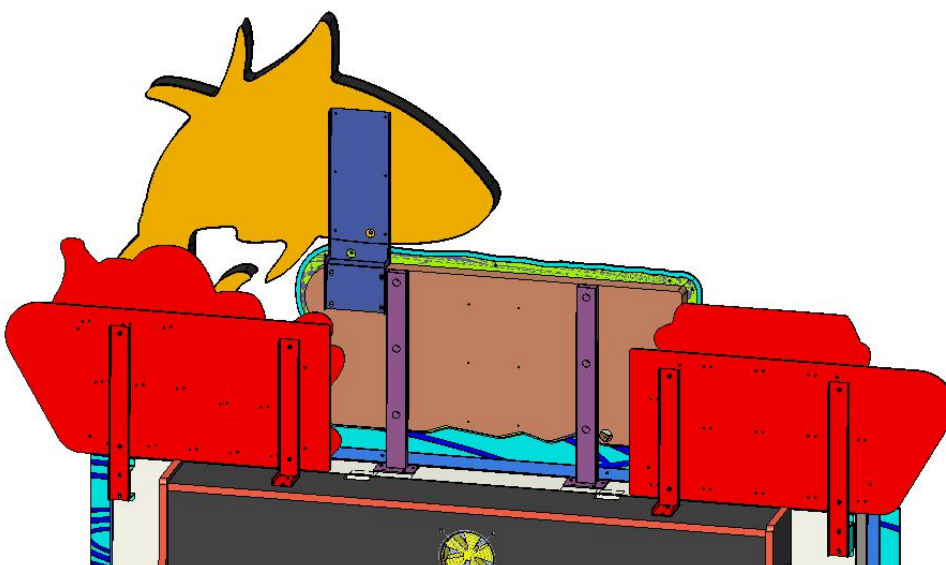
| | |
|-------|----------------------------------|
| Name | Cross recessed hexagon screw set |
| Spec. | M4×16 |
| Qty | 6 |

Step 5 Install Fish bracket to the back of the LOGO marquee. Utilize screws to secure the Fish bracket to the back of the LOGO marquee. Connect the connector.



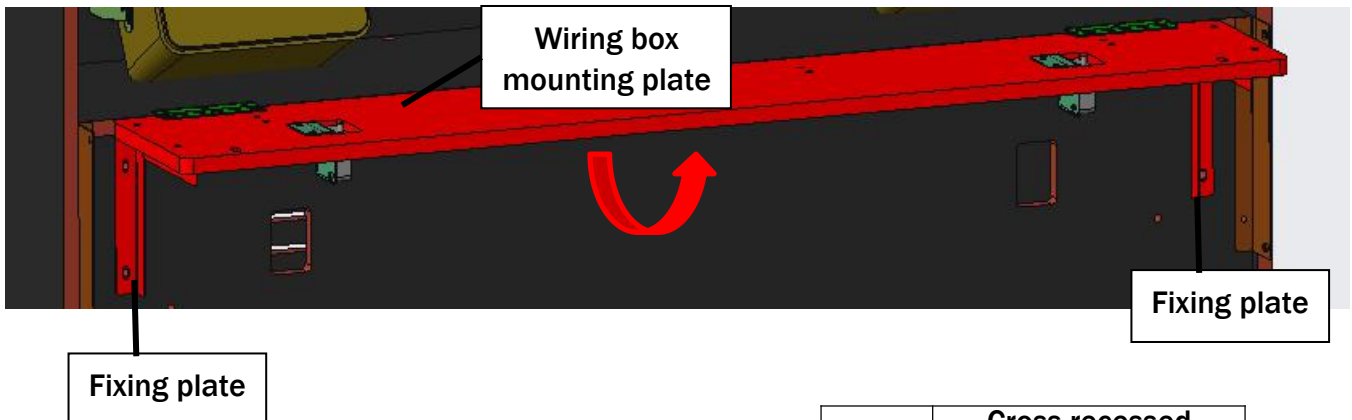
| | |
|-------|----------------------------------|
| Name | Cross recessed hexagon screw set |
| Spec. | M5×10 |
| Qty | 4 |

Step 6 Install L&R side marquee to the Monitor cabinet. Utilize screws to secure L&R side marquee to the Monitor cabinet. Connect the connector.



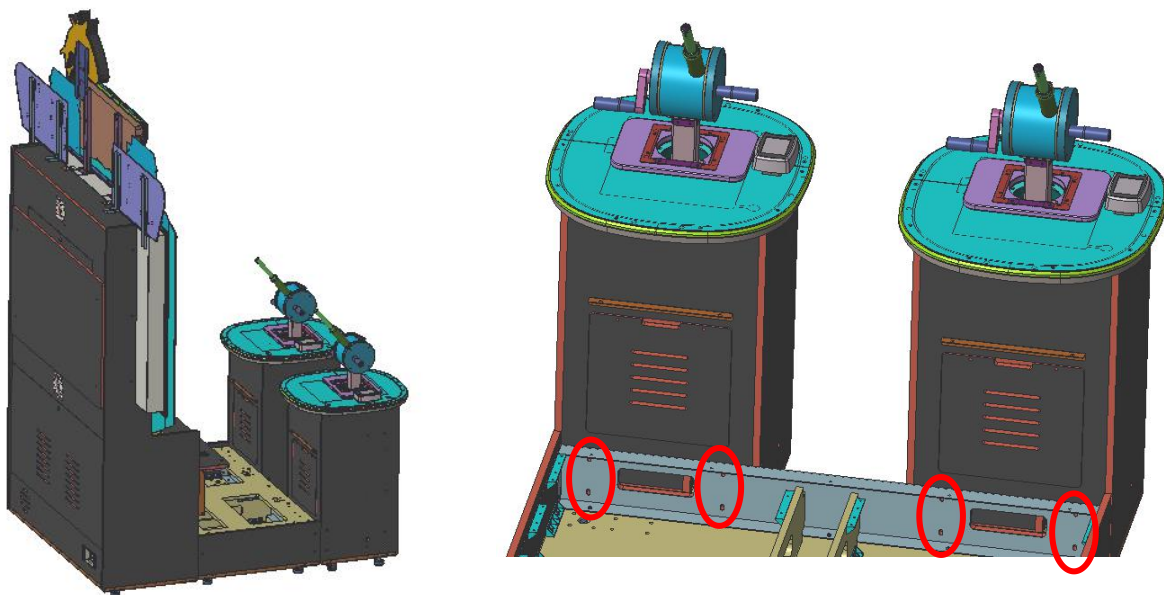
| | |
|-------|----------------------------------|
| Name | Cross recessed hexagon screw set |
| Spec. | M5×10 |
| Qty | 8 |

Step 7 Locate Cabinet front side. Loosen screws to turn up the Wiring box mounting plate. Install Fixing plate to the Wiring box mounting plate.



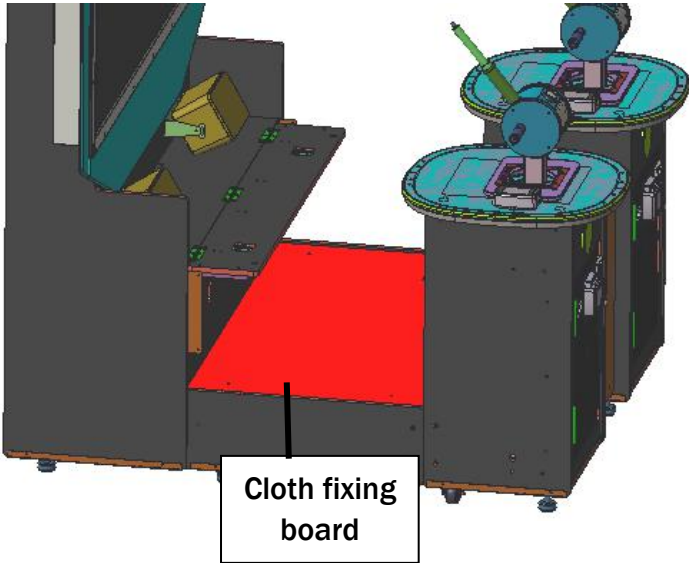
| | |
|-------|----------------------------------|
| Name | Cross recessed hexagon screw set |
| Spec. | M5×16 |
| Qty | 8 |

Step 8 Align the 2 Control panel assembly with the Base assembly. Connect the connectors. Utilize screws to secure Control panel assembly to the Base assembly



| | |
|-------|----------------------------------|
| Name | Cross recessed hexagon screw set |
| Spec. | M6×30 |
| Qty | 8 |

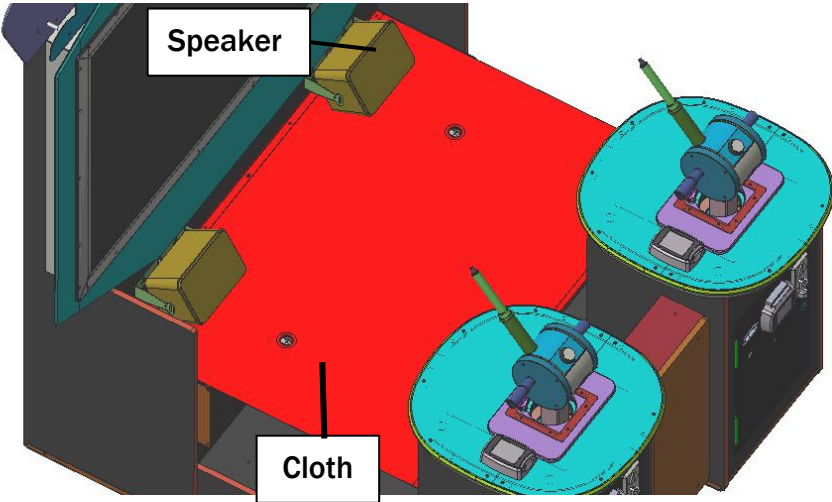
Step 9 Install Cloth fixing board to the Base assembly.



| | |
|-------|----------------------------------|
| Name | Cross recessed hexagon screw set |
| Spec. | M5×30 |
| Qty | 4 |

Step 10 Place Cloth to the Wiring box mounting plate and Control panel assembly. Utilize screws to secure the Cloth. Adjust the Speaker position.

Note: Before secure the Cloth, please take the rod out.

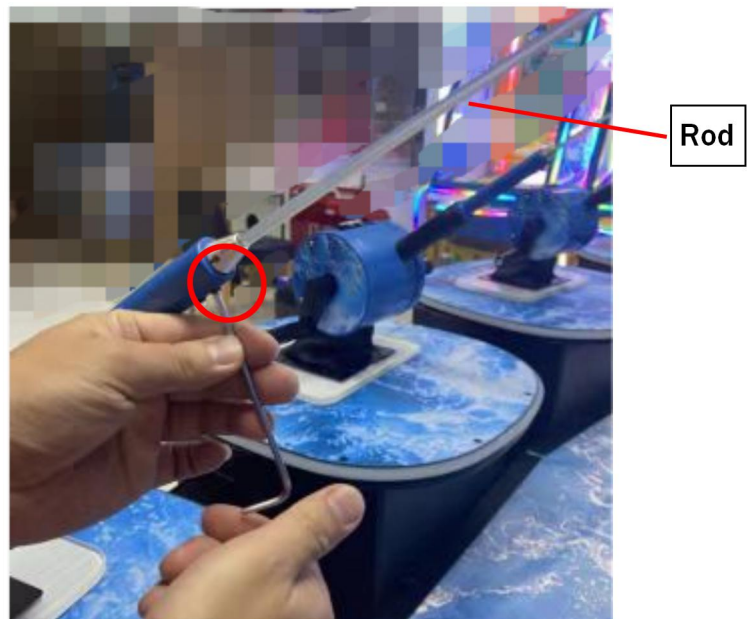


| | |
|-------|-------------------|
| Name | Hexagon screw set |
| Spec. | M5×12 |
| Qty | 4 |

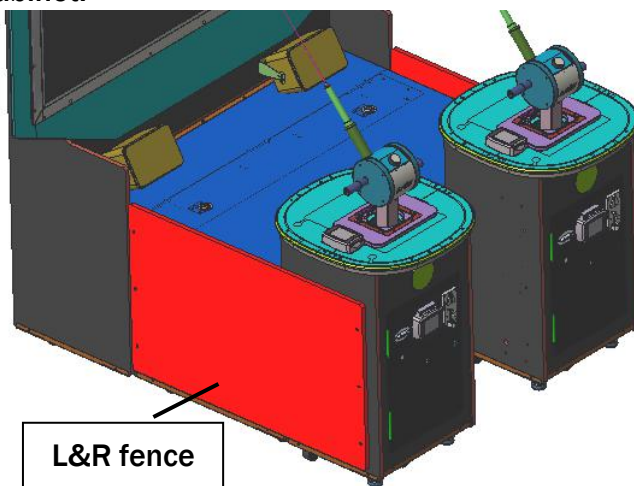


| | |
|-------|-------------------|
| Name | Hexagon screw set |
| Spec. | M5×16 |
| Qty | 3 |

Step 9 Locate Control panel fishing rod. Loosen the nut and insert the Rod in. Install the nut back. Install the other side of rod to the Wiring box.



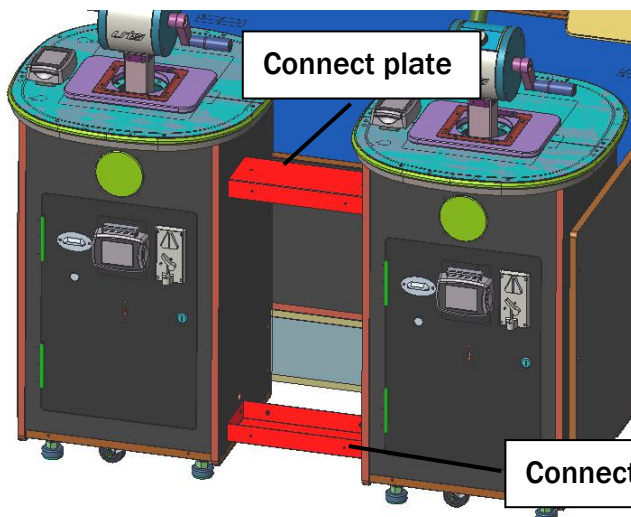
Step 10 Install L&R fence to the Cabinet. Utilize screw to secure the L&R fence to the Cabinet.



| | |
|-------|---------------|
| Name | Hexagon screw |
| Spec. | M5×30 |
| Qty | 12 |

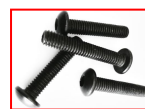
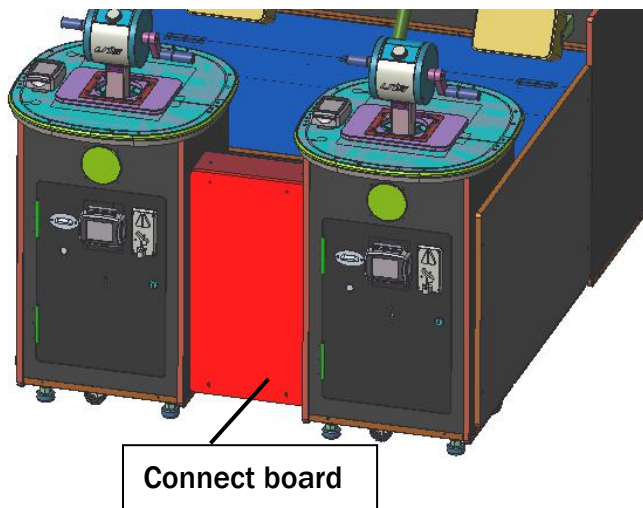
Step 11 Install Connect plate to the Control panel.

Note: 1.Connect plate with light strip please install on the bottom side.



| | |
|-------|----------------------------------|
| Name | Cross recessed hexagon screw set |
| Spec. | M6×20 |
| Qty | 8 |

Step 12 Install Connect board to the Control panel.



| | |
|-------|---------------|
| Name | Hexagon screw |
| Spec. | M5×30 |
| Qty | 4 |

Finish!



4.6 Card Reader Installation Safety Notice

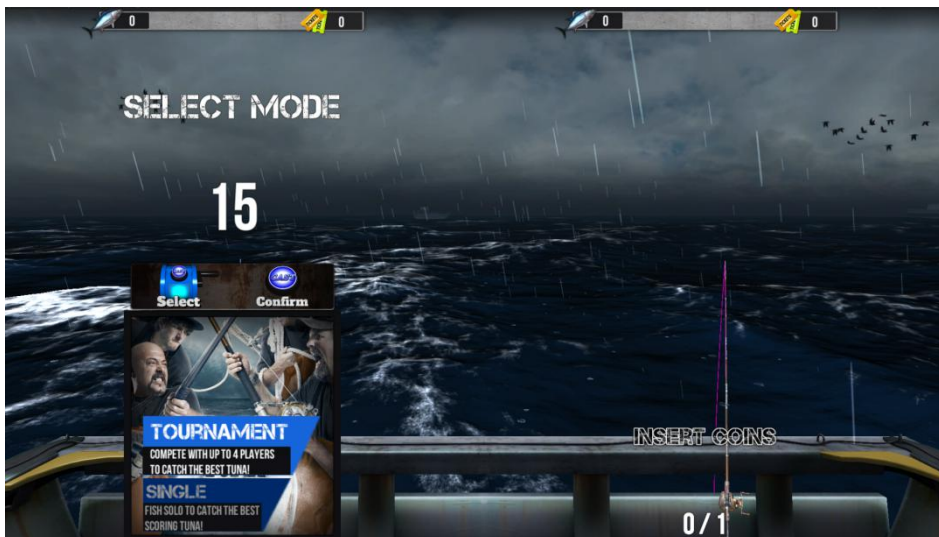


Take precaution to assure that all wiring voltages are confirmed prior to installation of card reader. All warranties are void if not properly installed resulting in logic board damage.

Important: This game is pre-wired to AAMA standards. It is highly recommended to utilize this wiring for Card reader installation.

5. HOW TO PLAY

5.1 Insert coins to play. Select game mode.



5.2 Select game level and captain. There are 5 captains to choose, each with different attribute.

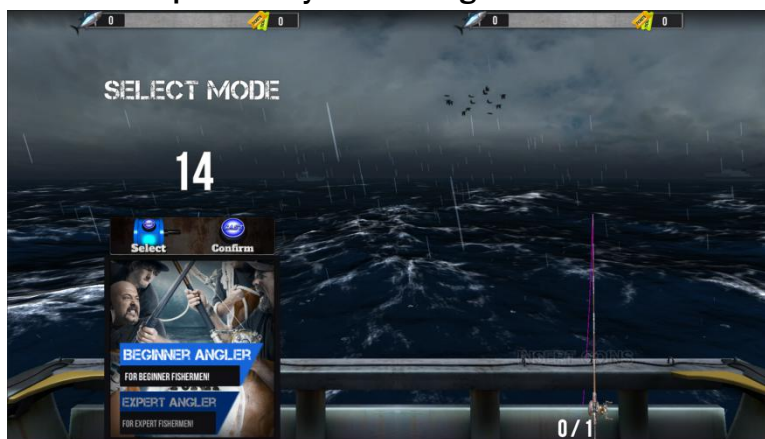
Strength(STR): Affect line speed

Experience(EXP): Affect fish biting rate

Speed (SPD): Affect line speed

Endurance (END): Affecting the speed at which fish struggle to escape

Lucky(LUK): Affects the probability of catching tuna



5.3 Press the CAST button to launch the rod.



5.4 Watch the Radar area. The fish icon in the Radar area represents different qualities of fish.

The left color bar represents the quality of fish in the corresponding area. The color bar can be divided into blue, green and yellow.

Blue has the lowest quality and yellow has the highest quality.

Press the CAST button to hook the desired fish.



5.5 Turn the handle, pull the rod and start to reel the fish in.



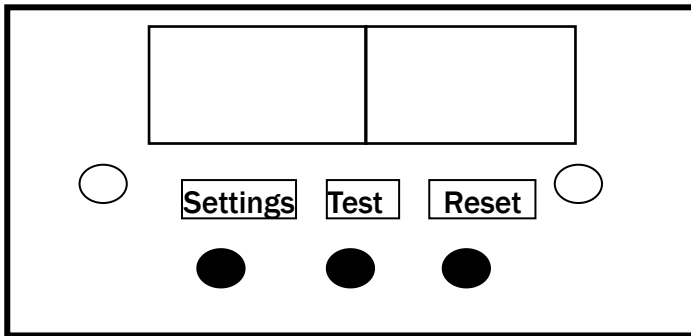


5.6 Catch the fish success will show the size and weight of the fish. If catch Tuna will be rated for meat quality.



6. GAME OPTION

6.1 Adjustment button instruction



Open the coin door and there is a meter panel. Press Settings button to enter the setting menu.

6.2 Setting menu

6.2.1 Main menu

| Options |
|--------------------|
| Game Setting |
| Input Test |
| Output Test |
| Resistance Setting |
| Shake Setting |

| Options |
|-----------------|
| Rod Calibration |
| Game Reset |
| Language |
| Bookkeeping |
| Exit&Save |
| Exit |

6.2.2 Game Setting

| Options | Status | Description |
|------------------------|-------------------------|----------------------------|
| Game Mode | Count/Time | |
| Coins/Play | 1-50 coins play | |
| Difficulty | Normal/medium/difficult | Game level |
| Free Play | ON/OFF | |
| Rod Play | 1-10 rod play | Rod play per game |
| Match Timer | 30-600s | Match mode game time |
| Rate | 5-100(Ticket/Play) | Ticket rate |
| Out Tickets Switch | ON/OFF | Ticket mode |
| Tickets Setting | | Please refer to 6.2.2.1 |
| Auto Start Timer | 10-120s | Automatic rod casting time |
| Demo Timer | 1min | Demo playing interval. |
| BGM Volume | 0-200 | |
| Sound Effect Volume P1 | 0-200 | |

| Options | Status | Description |
|---------------------------|-------------------------------|---|
| Voice Over Volume P1 | 0-200 | |
| Alarm Sound Volume P1 | 0-200 | |
| Sound Effect Volume P2 | 0-200 | |
| Voice Over Volume P2 | 0-200 | |
| Alarm Sound Volume P2 | 0-200 | |
| Demo BGM | ON/OFF | |
| Pay Mode | Coins/Tap card/Coin&Tap card | |
| Divide By 2 | ON/OFF | |
| Out of tickets | Save in memory/Call attendant | |
| Trigger Alarm Sensitivity | 0-100 | In demo state, if someone control the fishing rod beyond this value, the machine will emit an alarm sound |
| Back | | |

6.2.2.1 Tickets Setting

| Options | Status |
|----------------------|--------|
| Mercy Tickets | 1-10 |
| Rod Snapper | 1-20 |
| Mahi Mahi | 1-50 |
| Amberjack | 1-20 |
| Albacore Tuna | 1-20 |
| Bigeye Tuna | 1-20 |
| Yellow-fin Tuna | 1-20 |
| Short-fin Mako Shark | 1-50 |
| Alantic Sword Shark | 1-50 |
| Sailfish | 1-50 |

| Options | Status |
|--------------------|----------|
| Bluefin Tuna B | 1-50 |
| Bluefin Tuna A | 1-100 |
| Bluefin Tuna S | 1-250 |
| Shark | 10-250 |
| Goliath Grouper | 100-500 |
| King Marlin | 100-500 |
| Super Bluefin Tuna | 250-1000 |
| Back | |

6.2.3 Input Test

| | |
|--|--|
| P1 Coin in: Cast: Rod: Rolling: | P2 Coin in: Cast: Rod: Rolling: |
| Back | |

6.2.4 Output Test

| | |
|----------------|----------------|
| Resistance: | |
| P1 Shake: | P2 Shake: |
| P1 Rod Power: | P2 Rod Power: |
| P1 Btn Light: | P2 Btn Light: |
| P1 Out Ticket: | P2 Out Ticket: |
| Back | |

6.2.5 Resistance Setting

| Options | Status |
|----------------|-------------------------|
| Resistance Lvl | Normal/medium/Difficult |
| Back | |

6.2.6 Shake Setting

| Options | Status |
|-----------|-------------------------|
| Shake Lvl | Normal/medium/Difficult |
| Back | |

6.2.7 Rod Calibration

| | | | | | |
|--|---|---|------|------|-----------|
| Rod Calibration | | | | | |
| Move the Rod to the upper,lower, left and right limit positions. | | | | | |
| | X | Y | YMin | YMax | XMin XMax |
| 1P | | | | | |
| 2P | | | | | |
| Back&Save | | | | | |
| Back | | | | | |

6.2.8 Game Reset

| |
|------------------------------|
| Options |
| Reset Game Factory |
| Clear Records |
| Clear Tickets |
| Clear Coins |
| Clear Rod Calibration |
| Back |

6.2.9 Bookkeeping

| Player | Coins | Pay | Out Tickets | Return Rate(Tickets/Pay) |
|---------------|--------------|------------|--------------------|---------------------------------|
| Back | | | | |

7. TROUBLESHOOTING



7.1 Common Problem

Please confirm that all connectors fit tightly.

| Symptom | Possible Cause | Recommended action |
|----------------------|--|---|
| Game will not start | Frame assembly connector is loose. | Check connector. |
| | Frame assembly fault | Contact with UNIS Service. |
| Power off | Circuit protector make power SW in off state. | Turn on power SW again. If appeared again and again, machine has anomaly. Please contact with UNIS Service. |
| No ticket dispensing | Out of ticket. | Add ticket and press reset button |
| | Ticket jamming. | Remove the jammed tickets and press reset button. |
| | The connector is loose. | Plug the connector tightly. |
| No sound | Low volume | Raise the volume. |
| | Connector loose. | Check connector. |
| | Speaker fault. | Check speaker. |
| | POT installation error. | Install POT correctly. |
| | POT fault. | Change POT. |
| | Audio cable problem. | Reconnect the audio cable or change it. |
| | PC crash. | Restart or system recovery. |
| Display black screen | Check connectors. | Plug in connector tightly |
| | Display fault. | Utilize another source such as a PC to verify if the display is operational. |
| | RAM is loose. | Remove and reinsert RAM. |
| Display blue screen | PC power cord is loose | Check PC power cord whether is loose. |
| | VGA signal cable is loose. | Check VGA cable |
| | PC video card is loose. | Reseat video card. |
| | “0X000000A” code appears. Conflict between computer drive and software. | Contact service |

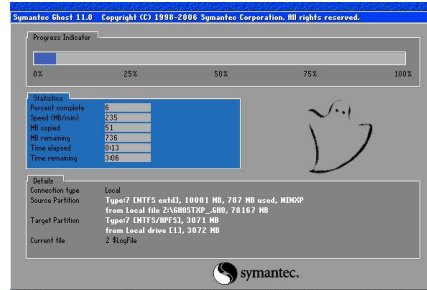
Note: After replacing component from PC (except for RAM), and replacing monitor, the game should be recovered again with the recovery stick attached to the machine.

If you see following error signs showing on the display, please try the recommended action.

| Display | Possible Cause | Recommended action |
|---|---|--|
|  ROD UNCALIBRATED | Rod is not calibrate. | Re-calibrate the Rod. |
|  IO ERROR | The connection part of the IO board and PC are loose. | Check and reconnect the loose ports of the PC or IO board. |
| | Cable quality problem | Change the cable after checking the connection between IO board and PC. |
| | Cable became loose during transportation. | Check and reconnect the loose cables of the PC or IO board. |
| | IO board is faulty. | Reboot the game after checking connection and cable problem, if the problem remains unresolved, please call the service department for assistance. |

7.2 System Recovery Operation **(NOTE: Do not disconnect power during this process.)**

1. Turn off the game. Remove the recovery stick from the machine. (Note: This process may take up to 60 minutes) Insert the recovery stick into the port at the back of the computer.
2. Restart PC to enter the system recovery screen as shown.



3. The game will automatically start recovery.
4. Once system recovery is partially finished (as shown below), and the ICON appears, remove the recovery stick from the computer. The game will continue the install process.

OK to remove the recovery stick.



5. Assure that the recovery stick has been properly secured for future use.



WARNING: The recovery stick should only be used to fix software errors. Using it for other purposes may cause unexpected results and damages.

8.MAINTENANCE & INSPECTION

8.1 Safety Check

Check the points listed before operating the machine. These checks are necessary for safe machine operation:

1. Test game before operation each day.
2. Conduct monthly routine checks of game components to ensure good working condition.
3. Check the machine regularly for dust and clean when necessary.

Note: Parts and components require preventative maintenance to maintain proper operation.

8.2 Handling Precautions

When installing or inspecting the machine, be very careful and pay attention to ensure that the player can enjoy the game safely.

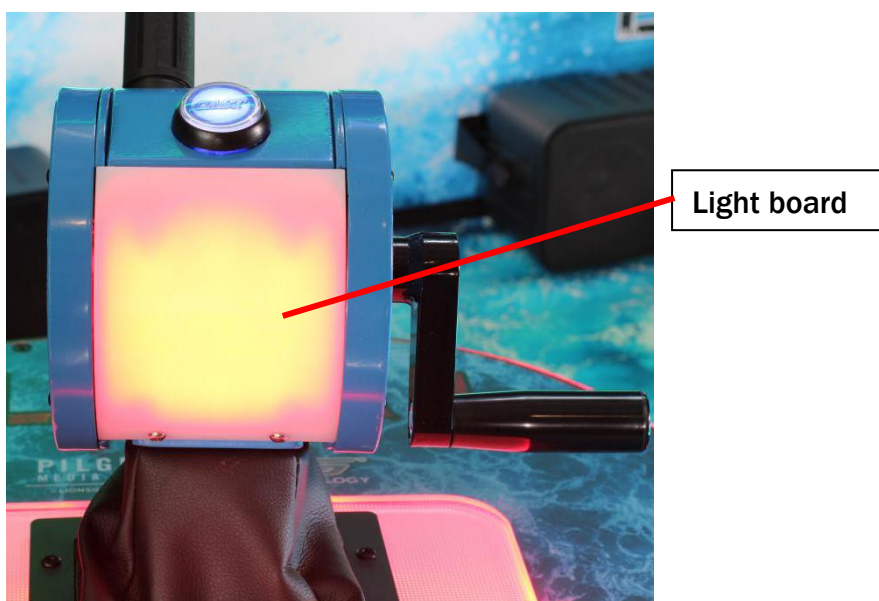
Inappropriate handling running counter to the cautionary matters can cause personal injury or damage to the machine.

NOTICE

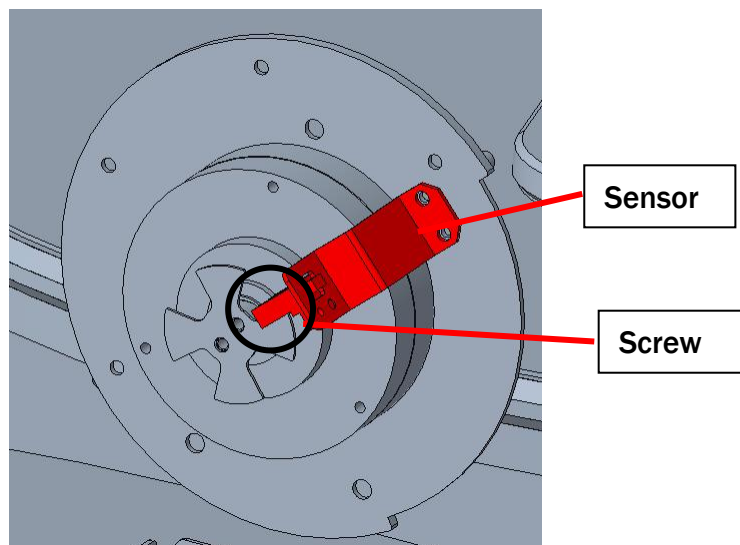
We do not recommend using power tools as they may cause damage.

8.3 Fishing Rod Assembly Sensor Replacement Instruction

Step 1 Locate Fishing assembly. Loosen screws to remove Light board. Unplug the connector.

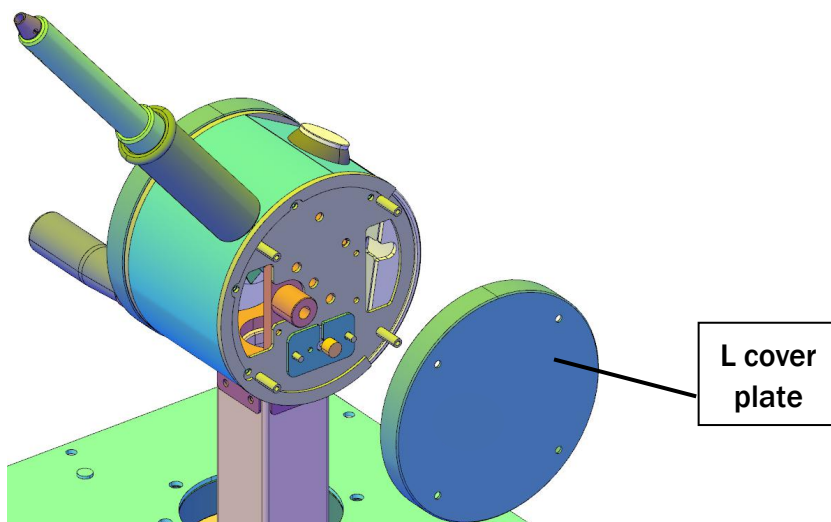


Step 2 Locate Sensor. Unplug the connector. Loosen the sensor screw to remove Sensor. Replace it with new Sensor and install it in reversed order.

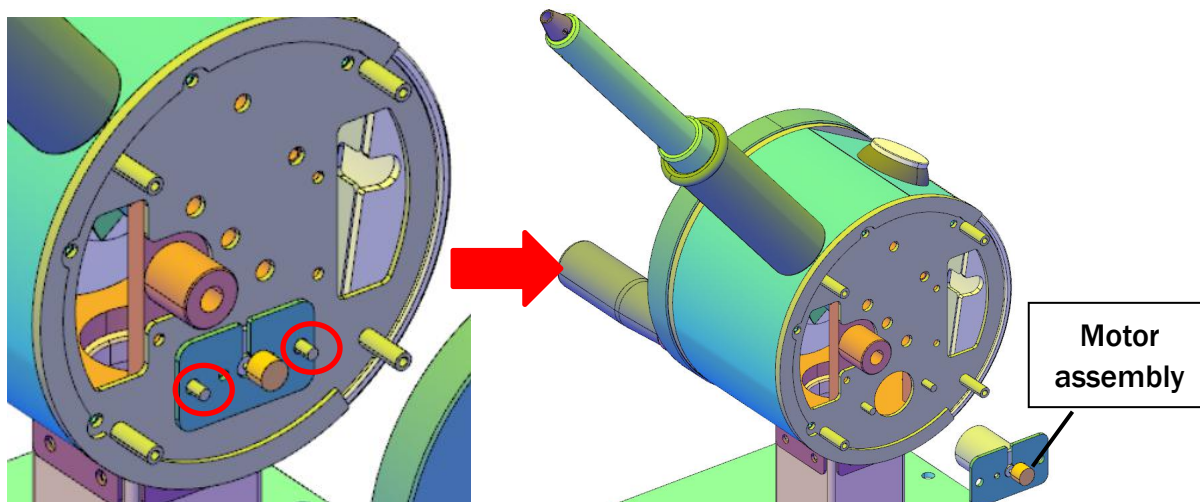


8.4 Fish Rod Assembly Shaking Motor Replacement Instruction

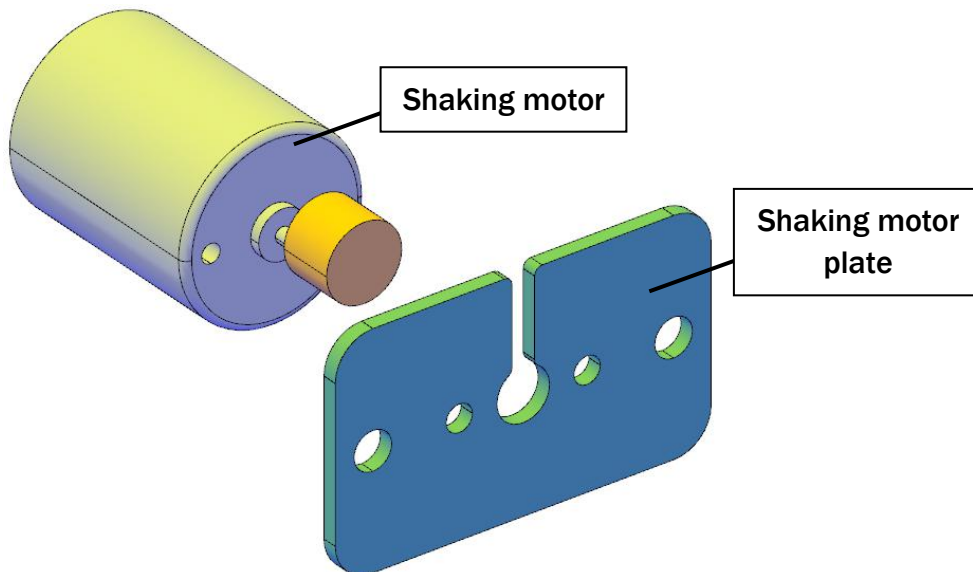
Step 1 Loosen the screw to remove L cover plate.



Step 2 Loosen nuts to remove R cover plate.



Step 3 Loosen nuts to remove Shaking motor.



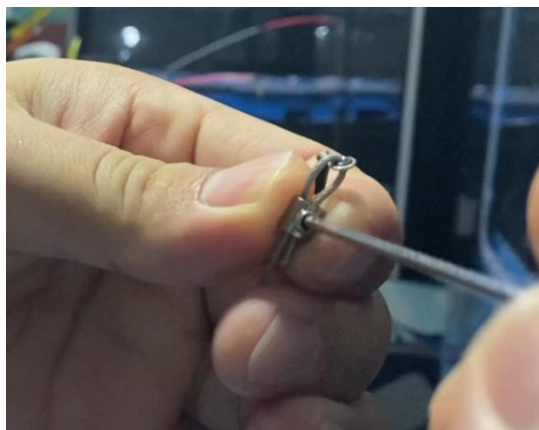
Step 4 Replace it with new Motor and install it in reversed order.

8.5 Rod Replacement Instruction

Step 1 Locate Control panel fishing rod. Loosen the nut and remove the Rod.



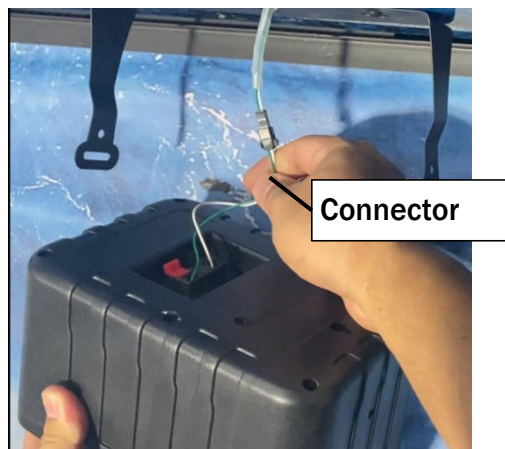
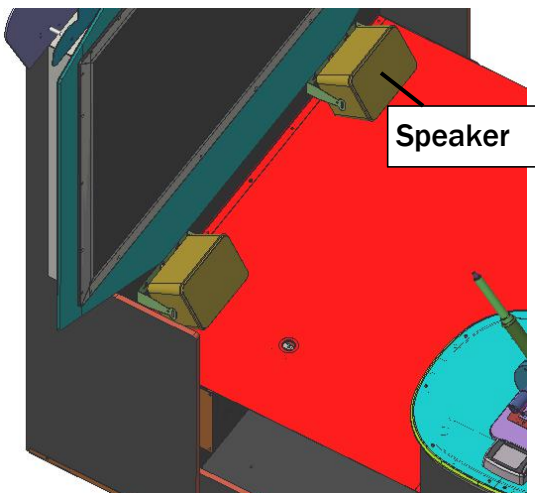
Step 2 Loosen the nut to remove the Wiring. Remove the Rod from the Wiring box.



Step 3 Replace it with new Rod and install it in reversed order.

8.6 Speaker Replacement Instruction

Step 1 Locate Speaker. Loosen the side nut to remove Speaker. Unplug the connectors.



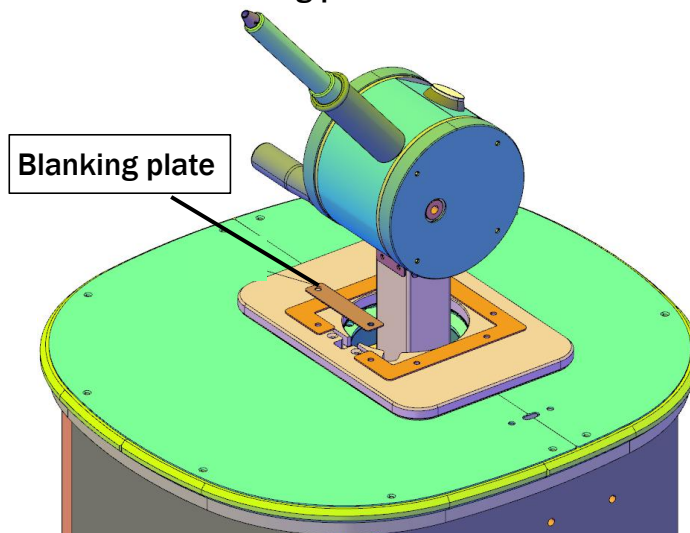
Step 2 Replace it with new Speaker and install it in reversed order.

8.7 Fishing Rod Assembly Replacement Instruction

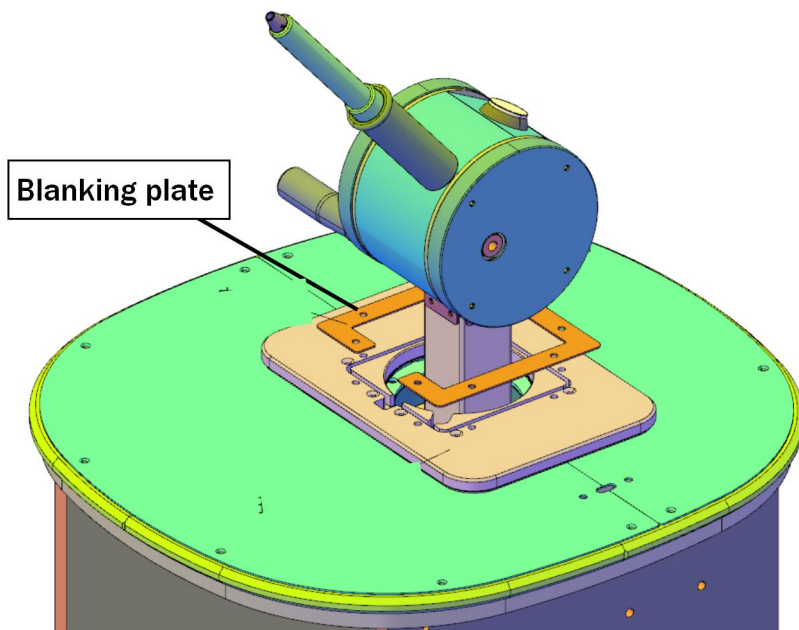
Step 1 Locate Control panel fishing rod. Loosen the nut and remove the Rod.



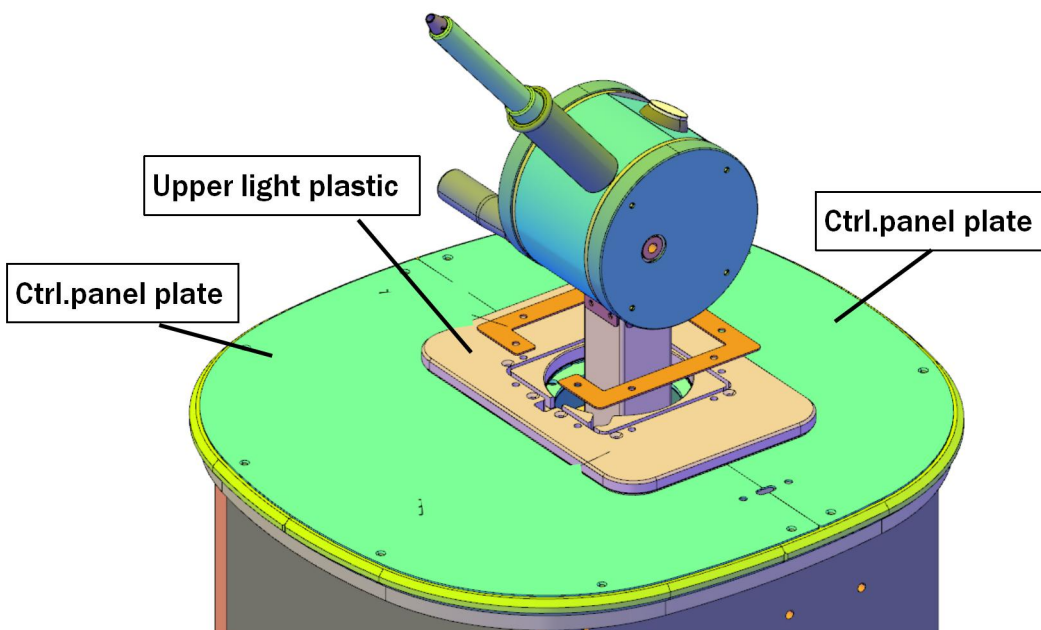
Step 2 Loosen screws to remove Blanking plate.



Step 3 Loosen screws on the Rubber fixing plate. Lift the Leather up.

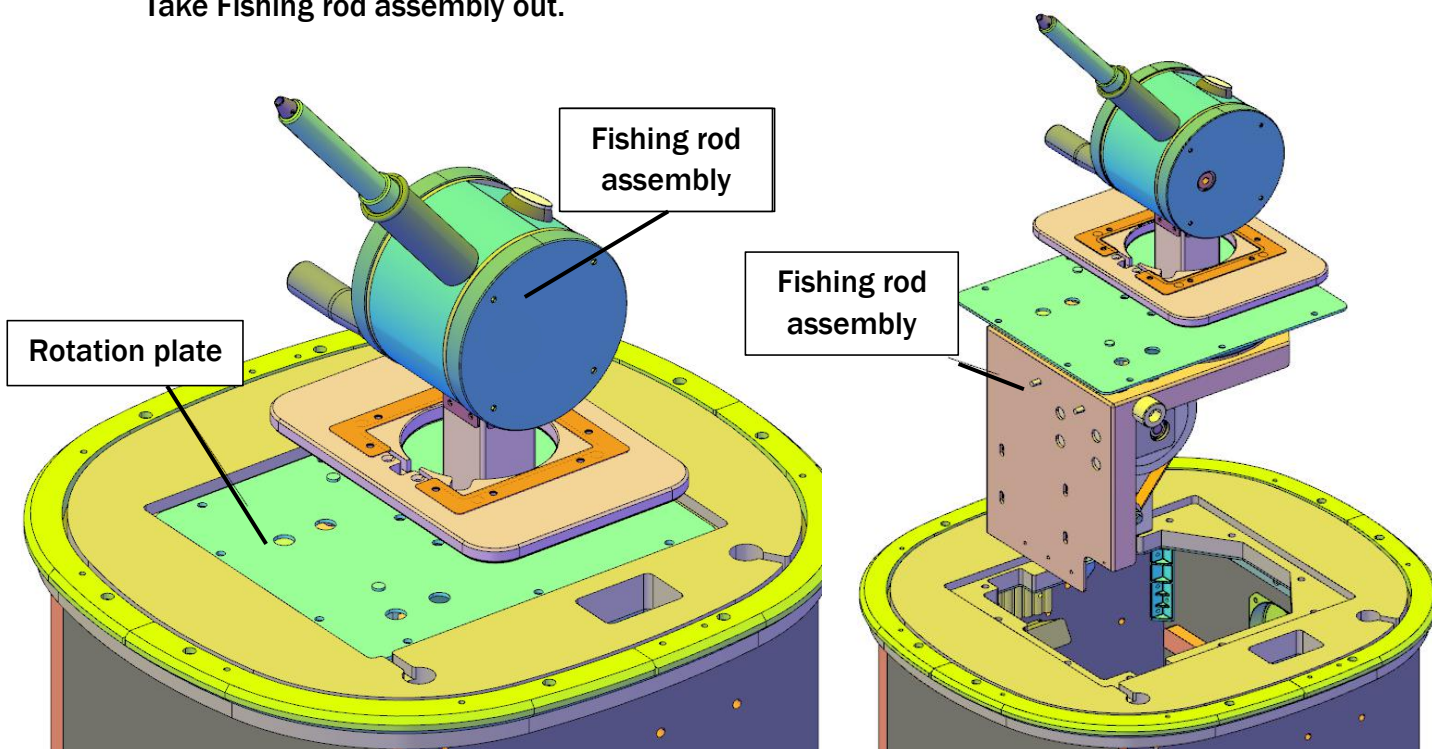


Step 4 Loosen screws on the Upper light plastic. Remove Ctrl.panel plate.



Step 5 Loosen screws on the Rotation plate. Open the service door and unplug Fishing rod assembly connector.

Take Fishing rod assembly out.

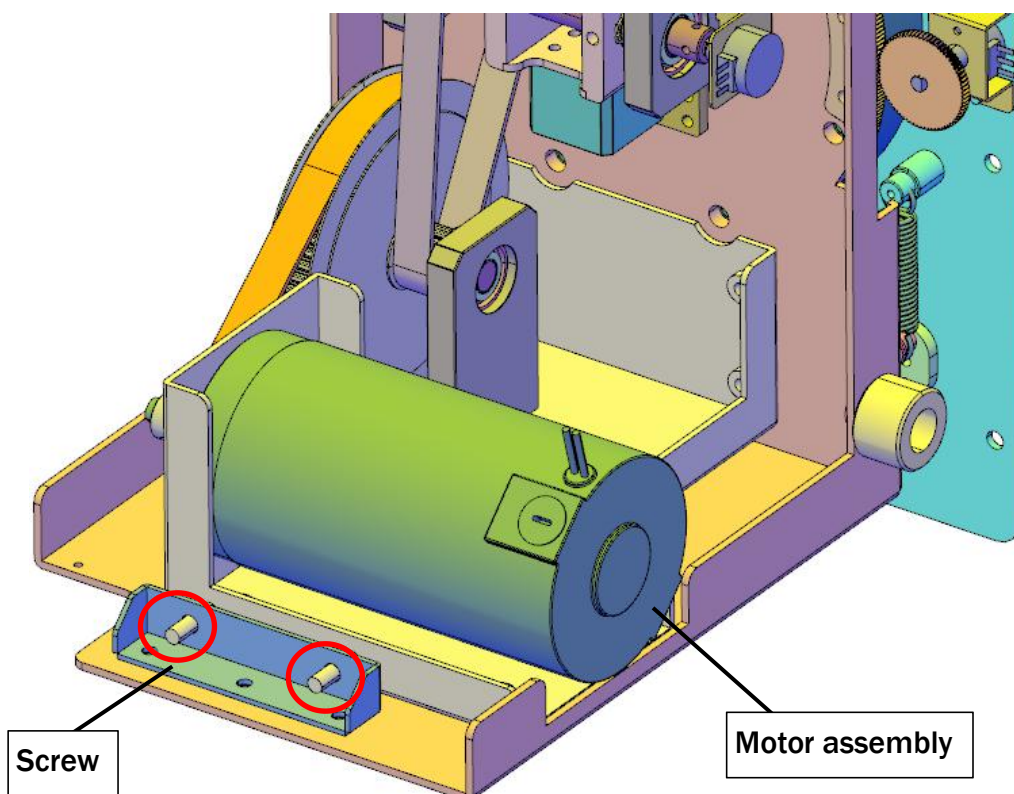


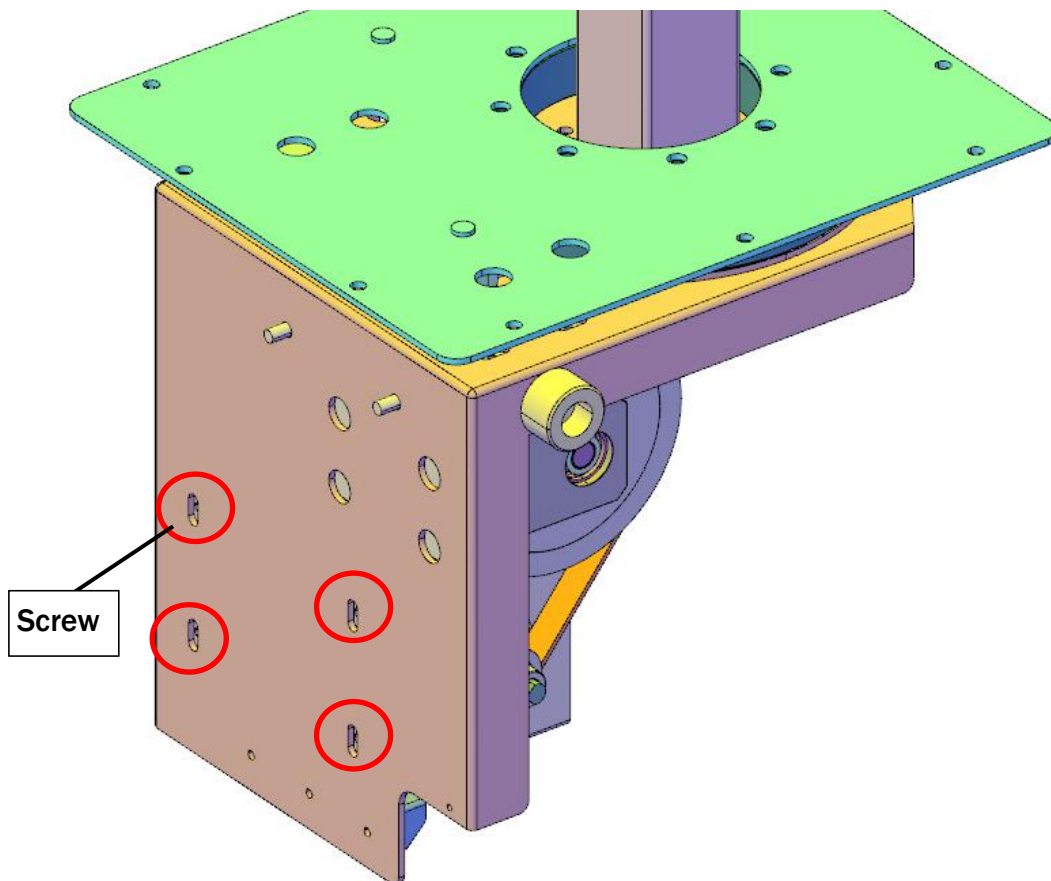
Step 6 Replace it with new control panel assembly and install it in reversed order.

8.8 Fishing Rod Assembly Motor Replacement Instruction

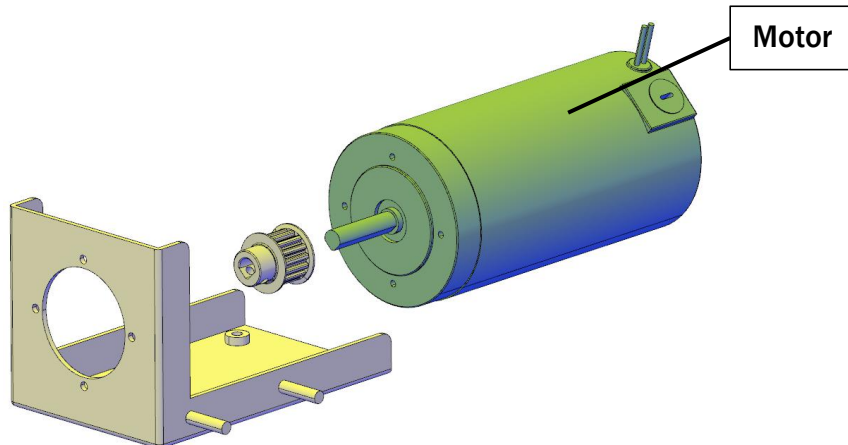
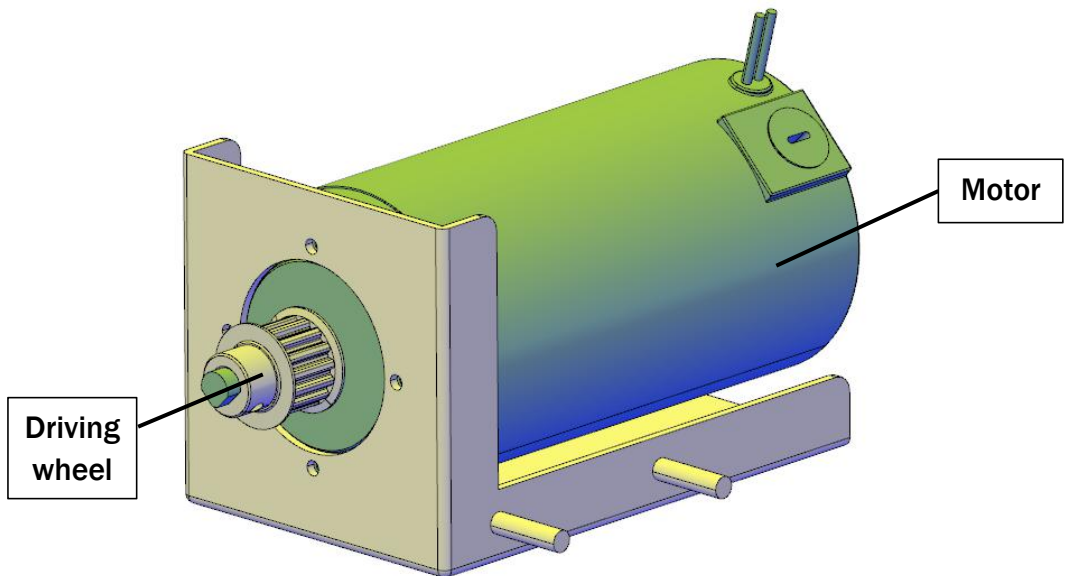
Step 1 Follow the 8.11 steps to remove **Fishing rod assembly**.

Step 2 Locate Fishing rod assembly motor. Unplug the motor connector. Loosen screws to remove Motor assembly.



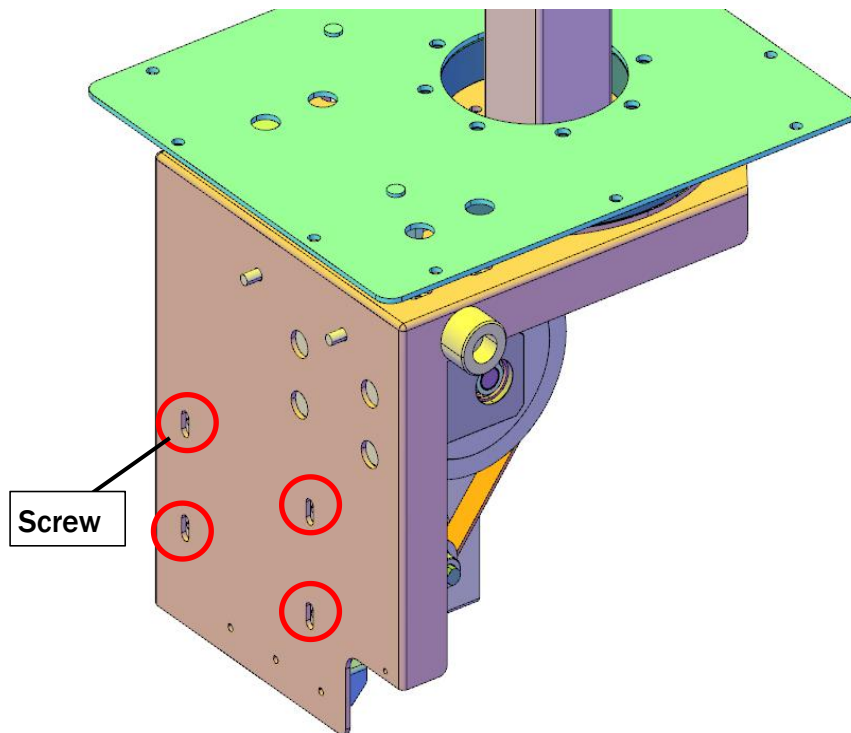


Step 3 Remove screws to remove motor plate. Remove Driving wheel nut to remove motor.



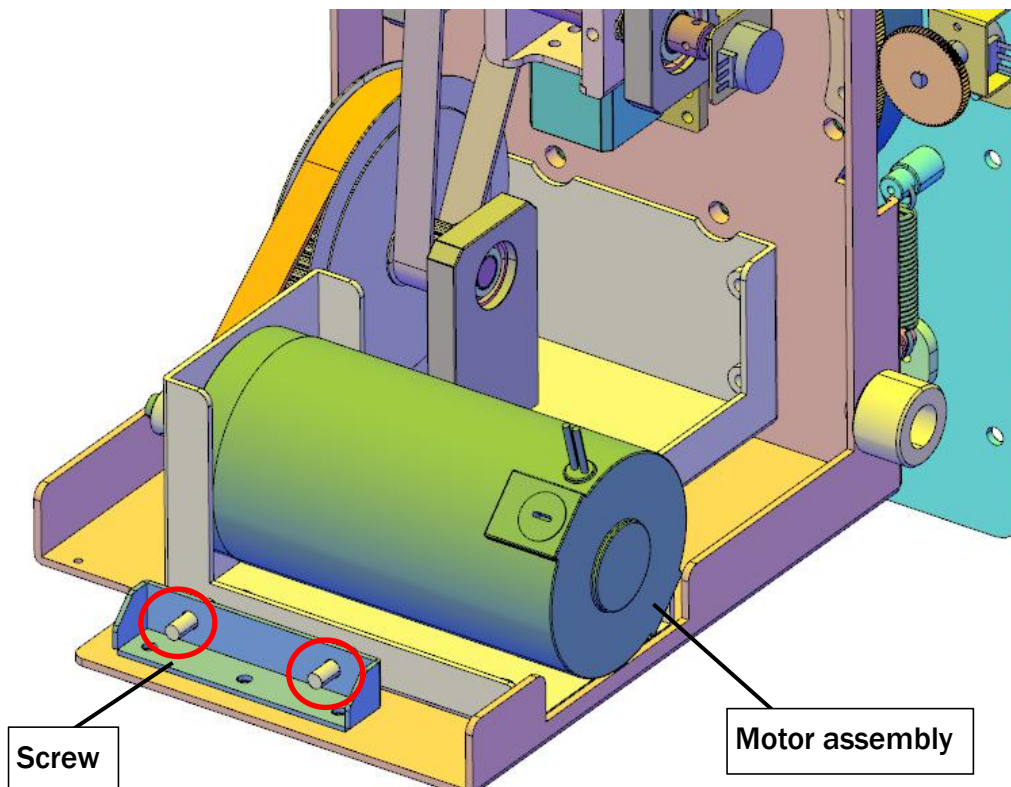
Step 4 Replace it with new motor and install it in Step 3 reversed order.

Step 5 Install Motor assembly back to the Fishing rod assembly. Utilize screw to secure Motor assembly a bit(**DO NOT TIGHTEN**).

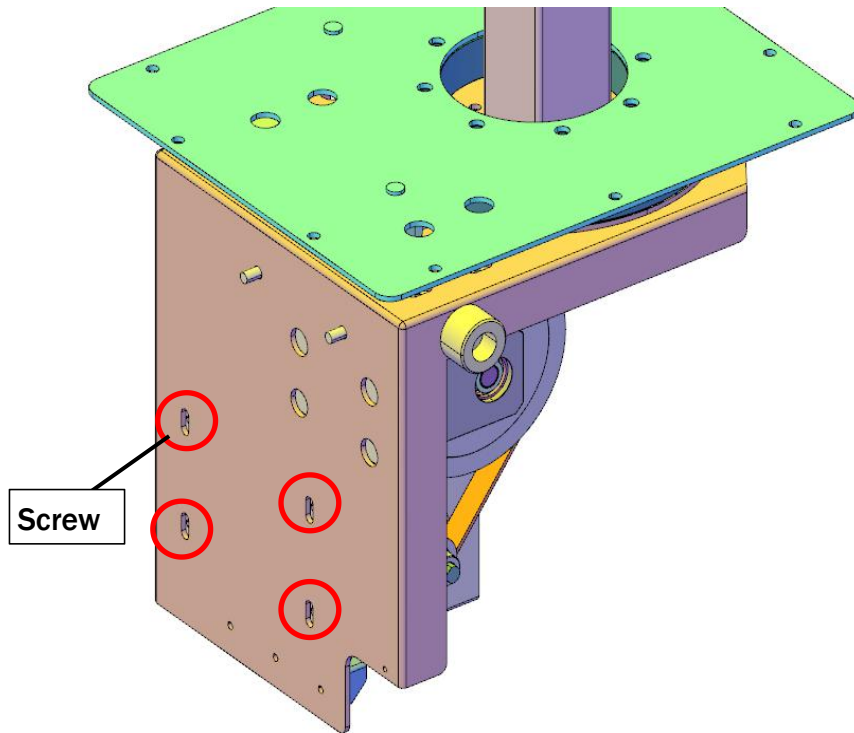


Step 6 Utilize screws circled in the picture to tighten the motor and adjust the belt.

Notice: Adjust the Rolling wheel assembly belt about 80N tension.



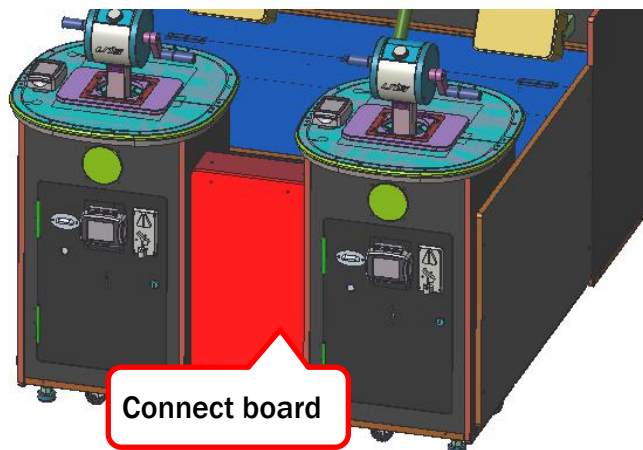
Step 7 After adjusting, tighten the screws back.



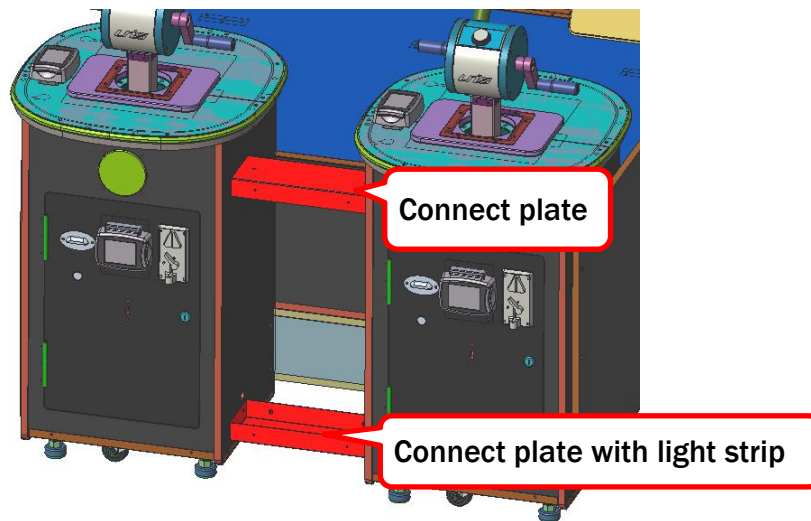
Step 8 The rest installation please refer to step 1-3 in reversed order.

8.9 Light Strip Replacement Instruction

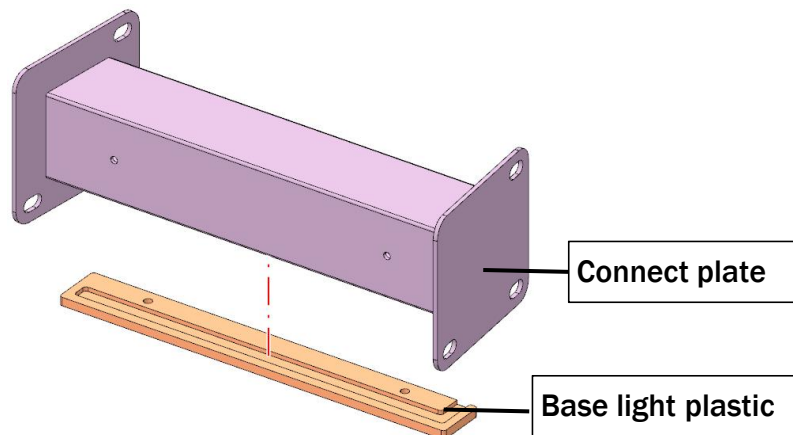
Step 1 Loosen screws to remove connect board.



Step 2 Open service door and unplug the light strip connector. Loosen screws to remove the Connect plate with light strip.



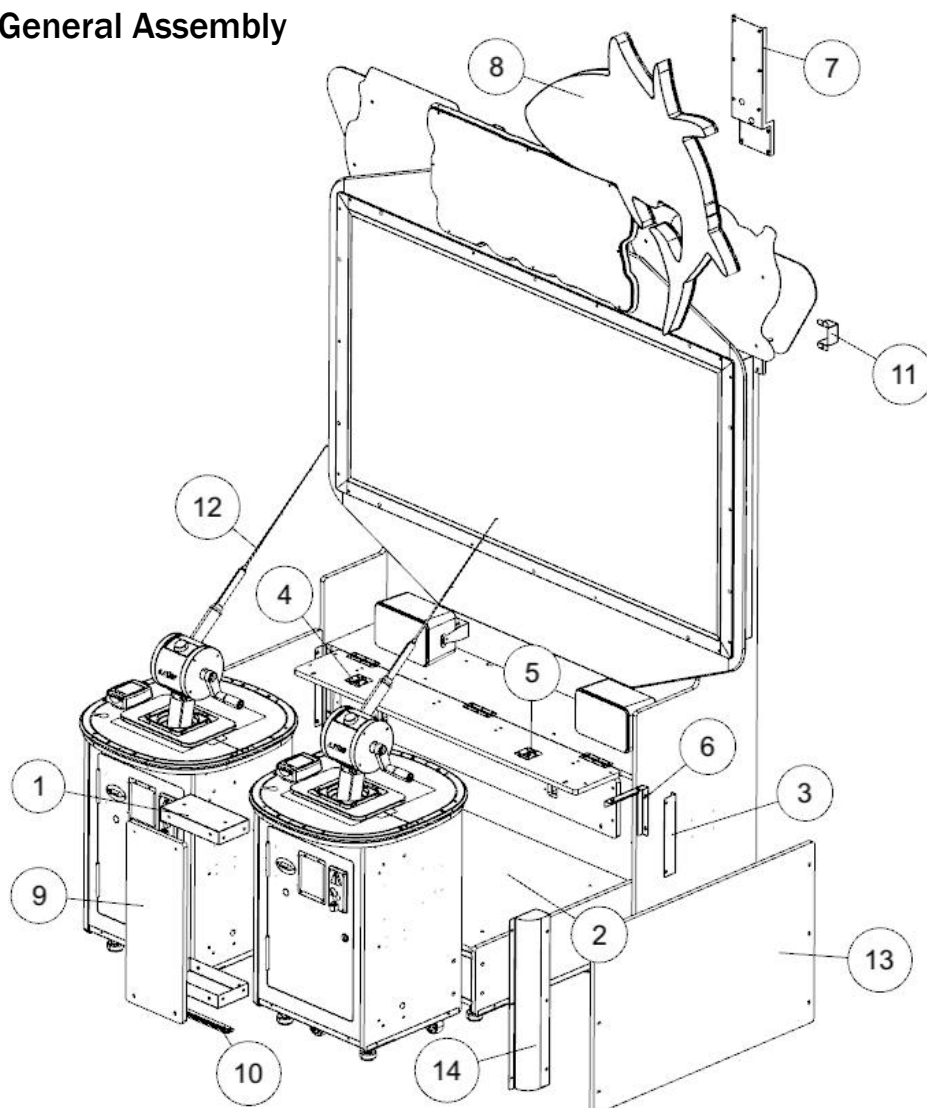
Step 3 Loosen screws to remove Base light plastic. Remove light strip.



Step 4 Replace it with new light strip and install it in reversed order.

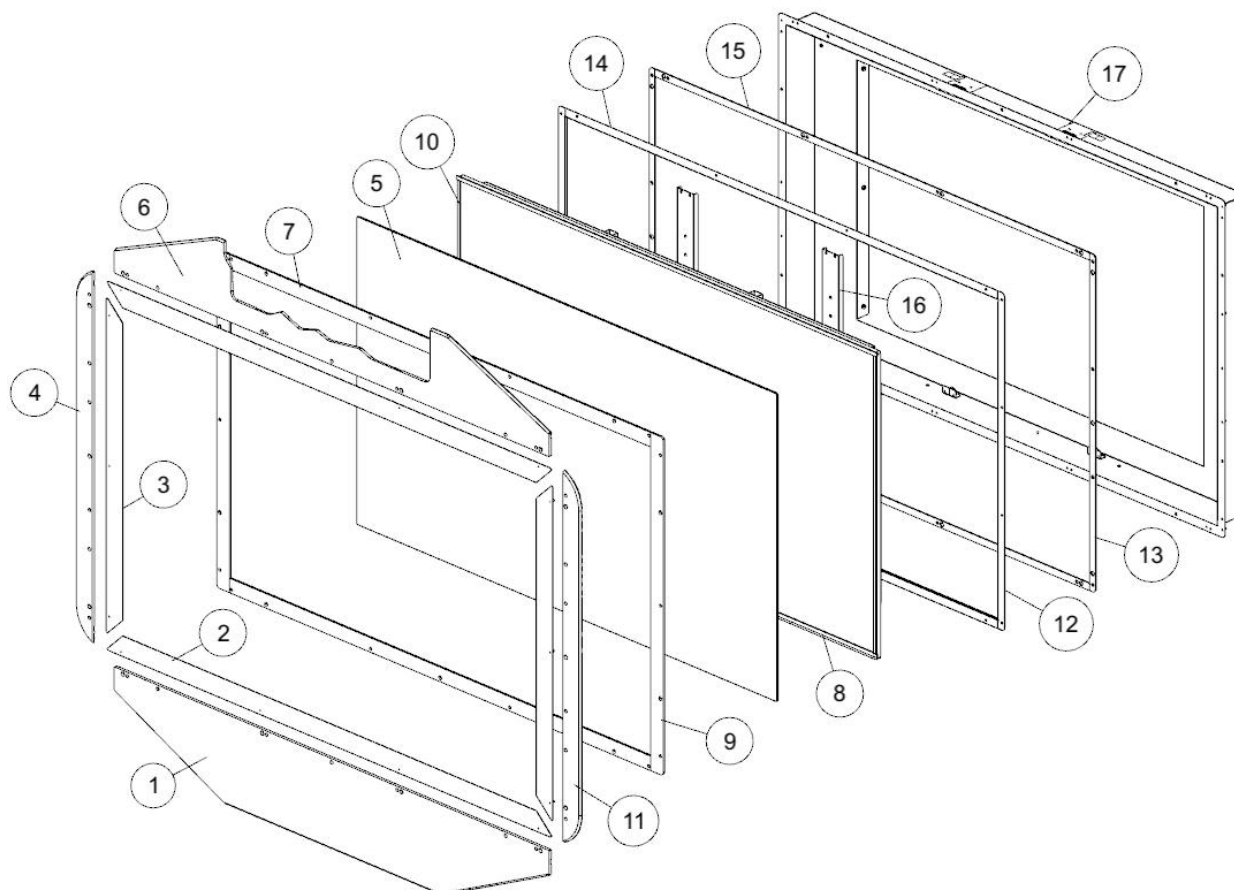
9. OVERALL CONSTRUCTION

9.1 General Assembly



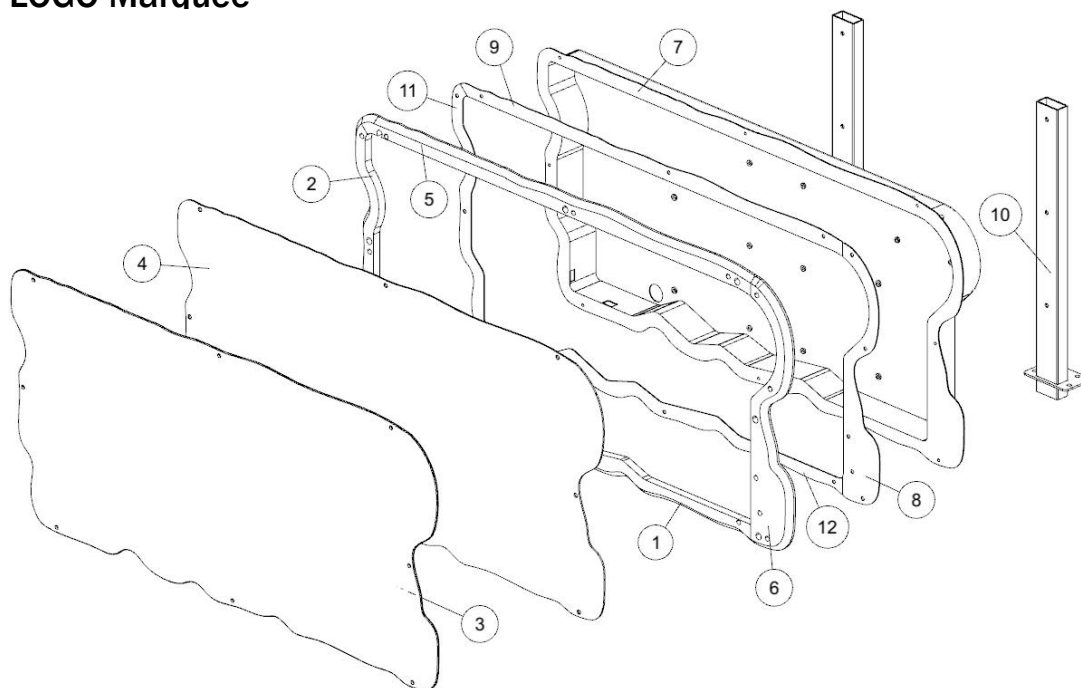
| No. | Part No. | Code No. | Name | Version | Qty |
|-----|--------------|------------------|----------------------------|---------|-----|
| 1 | W122-0001-00 | 202.4.2170.001 | Ctrl. panel connect plate | 1.1 | 2 |
| 2 | W122-0002-00 | 203.4.2170.006 | Front cover board | 1.1 | 1 |
| 3 | W122-0003-00 | 202.4.2170.002 | Side connect plate | 1.1 | 2 |
| 4 | W122-0004-00 | 202.4.2170.003 | Wiring box plate | 1.1 | 2 |
| 5 | W122-0005-00 | 2.51.08.070009 | Wiring box | 1.1 | 2 |
| 6 | W122-0006-00 | 202.4.2170.004 | Fixing plate | 1.1 | 2 |
| 7 | W122-0007-00 | 202.4.2170.005 | Fish bracket | 1.1 | 1 |
| 8 | W122-0008-00 | 205.4.2170.002/1 | Fish marquee | 1.1 | 1 |
| 9 | W122-0009-00 | 203.4.2170.007 | Connect board | 1.1 | 1 |
| 10 | W122-0010-00 | 206.4.2170.003 | Light strip fixing plastic | 1.1 | 1 |
| 11 | W122-0011-00 | 202.4.2170.034 | Side connect plate | 1.1 | 2 |
| 12 | W122-0012-00 | 206.4.2002.026 | Rod | 1.1 | 2 |
| 13 | W122-0013-00 | 203.4.2170.008 | L&R fence | 1.1 | 2 |
| 14 | W122-0014-00 | 202.4.2170.033 | Front fence | 1.1 | 2 |

9.2 Monitor Assembly



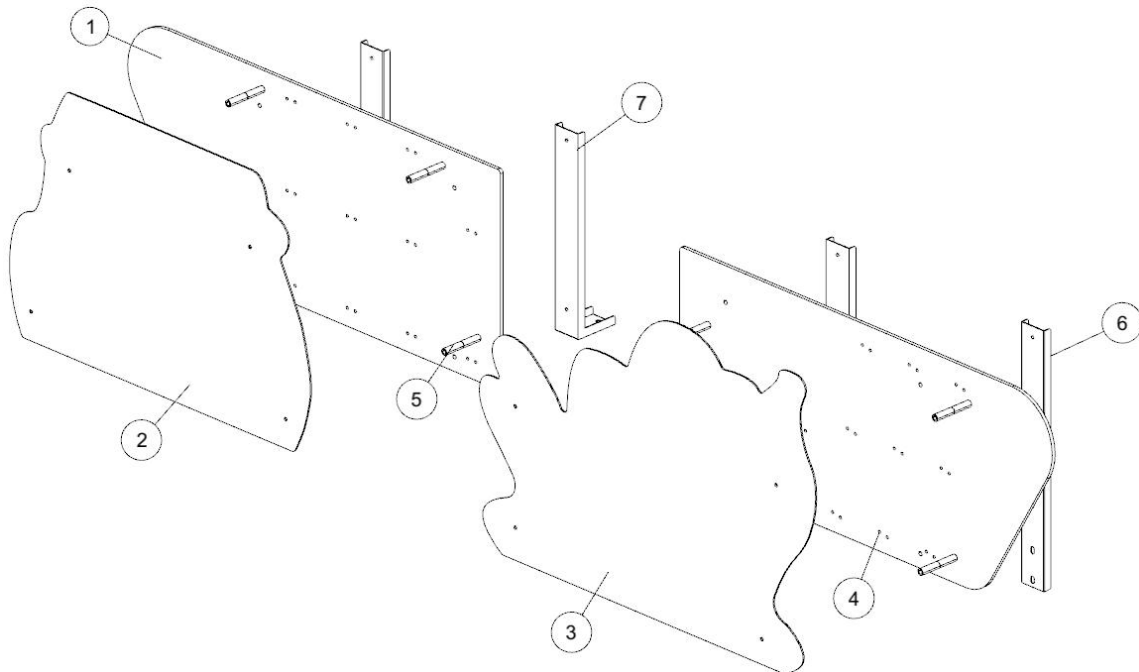
| No. | Part No. | Code No. | Name | Version | Qty |
|-----|--------------|----------------|------------------------------|---------|-----|
| 1 | W122-0602-00 | 202.4.2170.030 | Monitor bottom light plastic | 1.1 | 1 |
| 2 | W122-0603-00 | 202.4.2170.008 | Up&Down plate | 1.1 | 2 |
| 3 | W122-0604-00 | 202.4.2170.009 | L&R plate | 1.1 | 2 |
| 4 | W122-0605-00 | 202.4.2170.031 | Monitor L light plastic | 1.1 | 1 |
| 5 | W122-0606-00 | 206.4.2170.008 | Monitor protect glass | 1.1 | 1 |
| 6 | W122-0607-00 | 202.4.2170.029 | Monitor Upper light plastic | 1.1 | 1 |
| 7 | W122-0608-00 | 206.4.2170.010 | Up&Down PP plate | 1.1 | 2 |
| 8 | W122-0609-00 | 206.4.2170.001 | Up&Down foam | 1.1 | 2 |
| 9 | W122-0610-00 | 206.4.2170.009 | L&R PP plate | 1.1 | 2 |
| 10 | W122-0611-00 | 206.4.2170.002 | L&R foam | 1.1 | 1 |
| 11 | W122-0612-00 | 202.4.2170.032 | Monitor R light plastic | 1.1 | 1 |
| 12 | W122-0613-00 | 202.4.2170.011 | Light strip fixing plate(v) | 1.1 | 2 |
| 13 | W122-0614-00 | 206.4.2170.016 | Width PP | 1.1 | 2 |
| 14 | W122-0615-00 | 202.4.2170.010 | Light strip fixing plate(h) | 1.1 | 2 |
| 15 | W122-0616-00 | 206.4.2170.015 | Long PP | 1.1 | 2 |
| 16 | W122-0617-00 | 202.4.2170.028 | Monitor fixing plate | 1.1 | 2 |
| 17 | W122-0618-00 | 202.4.2170.007 | Monitor frame | 1.1 | 1 |

9.3 LOGO Marquee



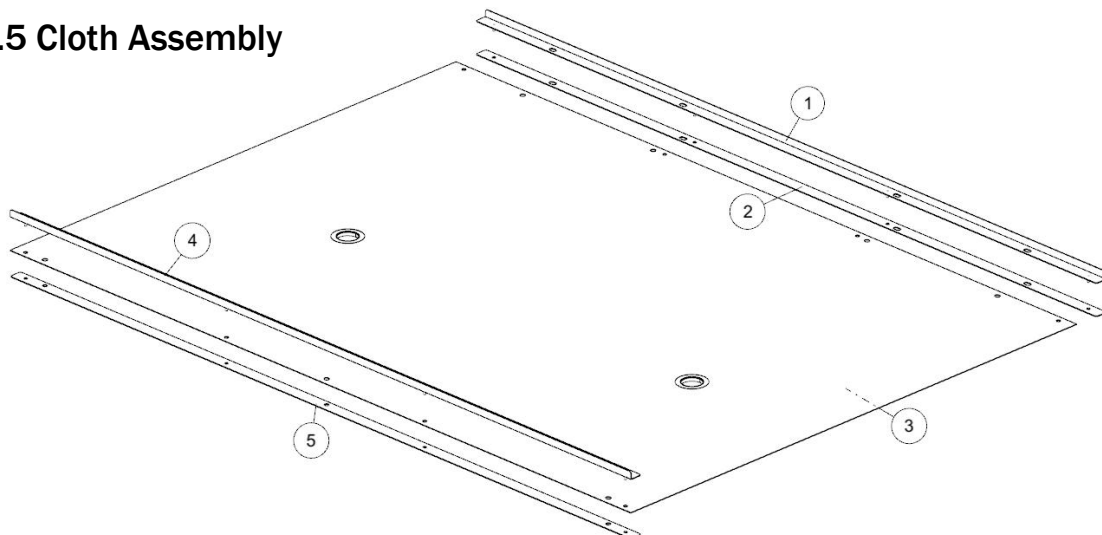
| No. | Part No. | Code No. | Name | Version | Qty |
|-----|--------------|------------------|-----------------------------------|---------|-----|
| 1 | W122-0802-00 | 206.4.2170.006 | LOGO marquee bottom light plastic | 1.1 | 1 |
| 2 | W122-0803-00 | 206.4.2170.007 | LOGO marquee L light plastic | 1.1 | 1 |
| 3 | W122-0804-00 | 205.4.2170.001/1 | LOGO marquee plastic | 1.1 | 1 |
| 4 | W122-0805-00 | 206.4.2170.014 | Light-transmitting plate | 1.1 | 1 |
| 5 | W122-0806-00 | 206.4.2170.004 | LOGO marquee upper light plastic | 1.1 | 1 |
| 6 | W122-0807-00 | 206.4.2170.005 | LOGO marquee R light plastic | 1.1 | 1 |
| 7 | W122-0808-00 | 202.4.2170.016 | LOGO marquee frame | 1.1 | 1 |
| 8 | W122-0809-00 | 202.4.2170.019 | LOGO marquee R fixing plate | 1.1 | 1 |
| 9 | W122-0810-00 | 202.4.2170.018 | LOGO marquee upper fixing plate | 1.1 | 1 |
| 10 | W122-0811-00 | 202.4.2170.017 | LOGO marquee bracket | 1.1 | 1 |
| 11 | W122-0812-00 | 202.4.2170.021 | LOGO marquee L fixing plate | 1.1 | 1 |
| 12 | W122-0813-00 | 202.4.2170.020 | LOGO marquee bottom fixing plate | 1.1 | 1 |

9.4 L&R Marquee



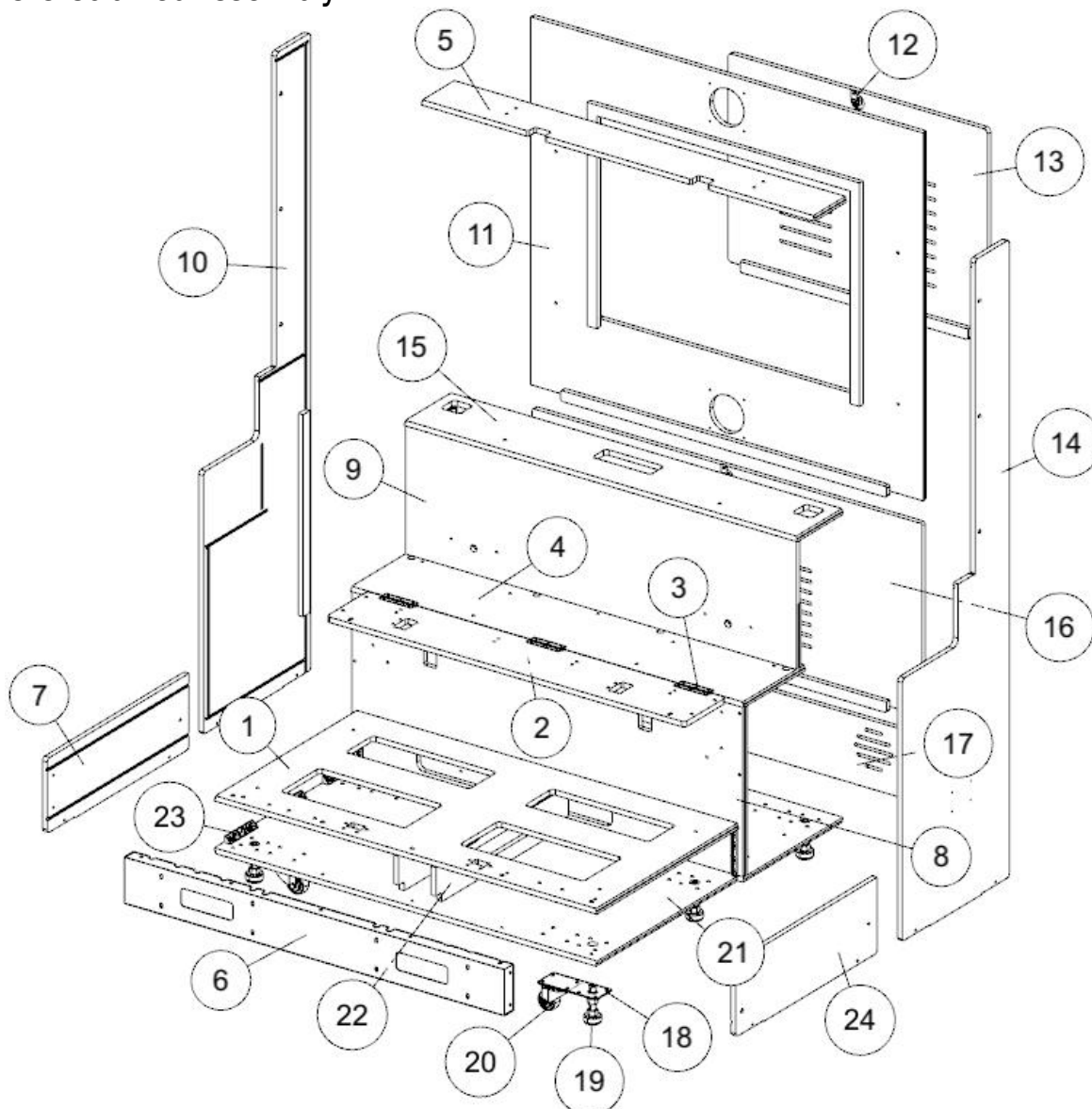
| No. | Part No. | Code No. | Name | Version | Qty |
|-----|--------------|------------------|-------------------|---------|-----|
| 1 | W122-0702-00 | 205.4.2170.003/1 | L Andy board | 1.1 | 1 |
| 2 | W122-0703-00 | 205.4.2170.005/1 | Boat plastic | 1.1 | 1 |
| 3 | W122-0704-00 | 205.4.2170.006/1 | Water drop PVC | 1.1 | 1 |
| 4 | W122-0705-00 | 205.4.2170.004/1 | R Andy board | 1.1 | 1 |
| 5 | W122-0706-00 | 201.08.04.4008 | Isolation column | 1.1 | 16 |
| 6 | W122-0707-00 | 202.4.2170.027 | R marquee bracket | 1.1 | 2 |
| 7 | W122-0708-00 | 202.4.2170.022 | L marquee bracket | 1.1 | 2 |

9.5 Cloth Assembly



| No. | Part No. | Code No. | Name | Version | Qty |
|-----|--------------|------------------|--|---------|-----|
| 1 | W122-0302-00 | 202.4.2170.023 | Cloth fixing bracket(near monitor cabinet) | 1.1 | 1 |
| 2 | W122-0303-00 | 202.4.2170.025 | Cloth fixing plate(near monitor cabinet) | 1.1 | 1 |
| 3 | W122-0304-00 | 205.4.2170.007/1 | Cloth | 1.1 | 1 |
| 4 | W122-0305-00 | 202.4.2170.024 | Cloth fixing bracket(near control panel) | 1.1 | 1 |
| 5 | W122-0306-00 | 202.4.2170.026 | Cloth fixing plate(near control panel) | 1.1 | 16 |

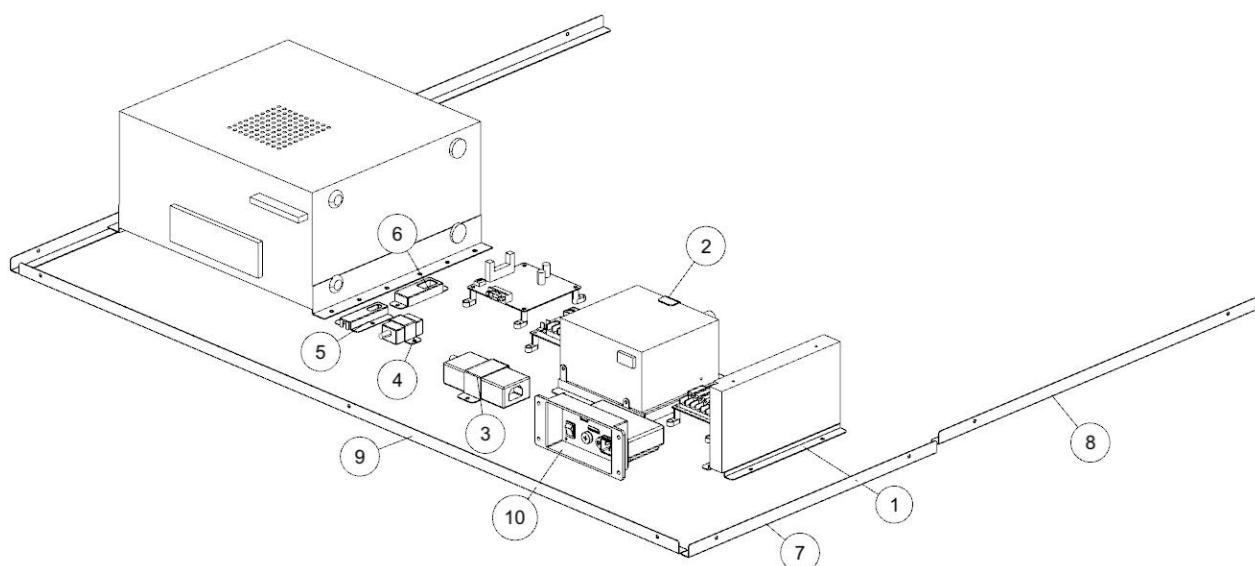
9.6 Cabinet Assembly



| No. | Part No. | Code No. | Name | Version | Qty |
|-----|--------------|----------------|---------------------------|---------|-----|
| 1 | W122-0902-00 | 203.4.2170.002 | Cloth bottom board | 1.1 | 1 |
| 2 | W122-0903-00 | 203.4.2170.022 | Wiring box mounting plate | 1.1 | 1 |
| 3 | W122-0508-00 | 2.63.00.000001 | 4" hinge | 1.1 | 3 |
| 4 | W122-0904-00 | 203.4.2170.016 | Speaker bottom board | 1.1 | 1 |
| 5 | W122-0905-00 | 203.4.2170.018 | Top board | 1.1 | 1 |
| 6 | W122-0906-00 | 202.4.2170.006 | Front bottom board | 1.1 | 1 |
| 7 | W122-0907-00 | 203.4.2170.013 | Front L side board | 1.1 | 1 |
| 8 | W122-0908-00 | 203.4.2170.012 | Bottom vertical board | 1.1 | 1 |
| 9 | W122-0909-00 | 203.4.2170.017 | Upper vertical board | 1.1 | 1 |
| 10 | W122-0910-00 | 203.4.2170.009 | L side board | 1.1 | 1 |
| 11 | W122-0911-00 | 203.4.2170.019 | Monitor back board | 1.1 | 1 |
| 12 | W122-0515-00 | 2.53.00171001 | 171A lock | 1.1 | 1 |
| 13 | W122-0912-00 | 203.4.2170.021 | Back upper door | 1.1 | 1 |
| 14 | W122-0913-00 | 203.4.2170.010 | R side door | 1.1 | 1 |

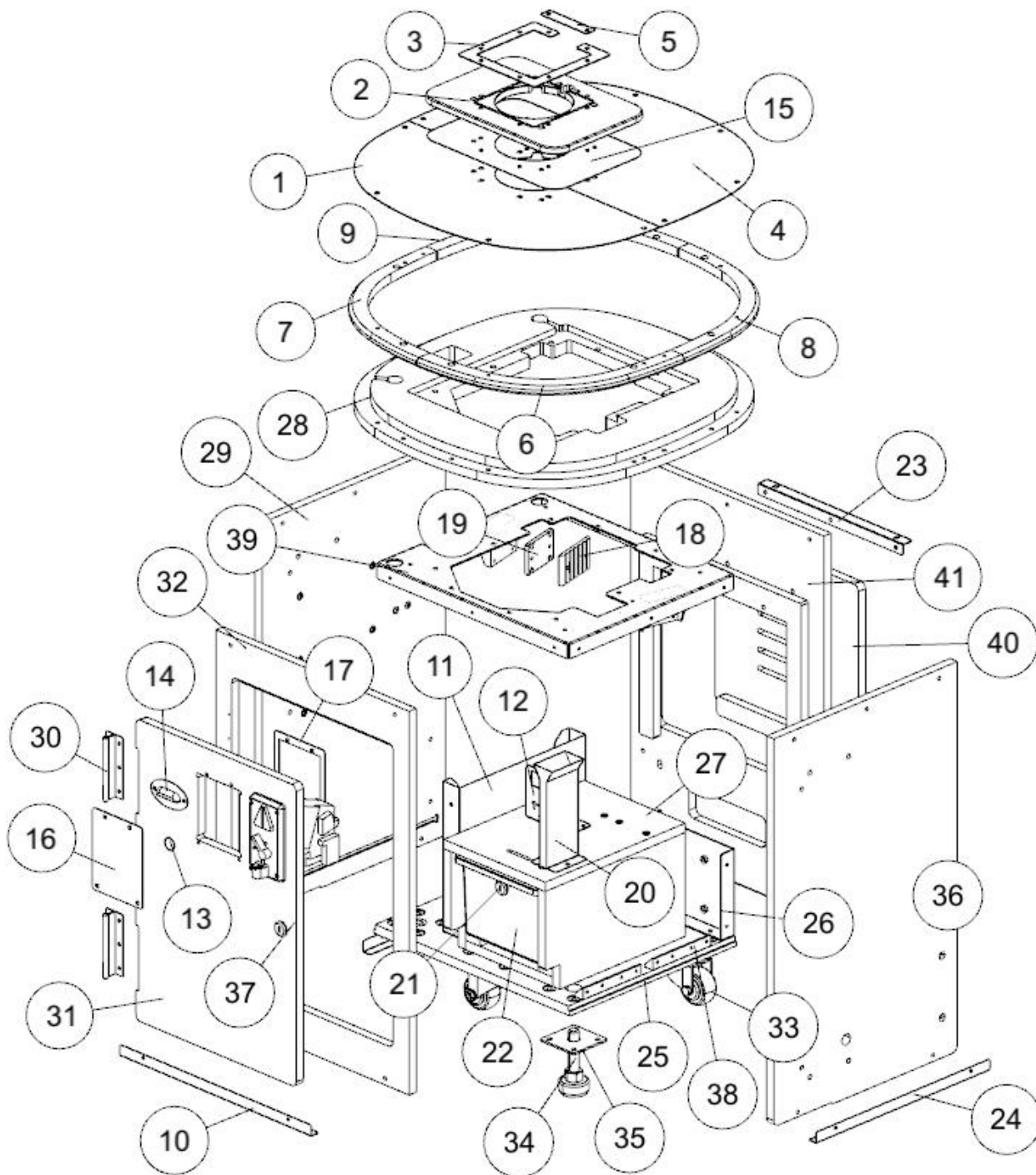
| No. | Part No. | Code No. | Name | Version | Qty |
|-----|--------------|----------------|-----------------------|---------|-----|
| 15 | W122-0914-00 | 203.4.2170.015 | Monitor support board | 1.1 | 1 |
| 16 | W122-0915-00 | 203.4.2170.020 | Back bottom door | 1.1 | 1 |
| 17 | W122-0916-00 | 203.4.2170.011 | Back base board | 1.1 | 1 |
| 18 | W122-0917-00 | 2.60.00010000 | Caster plate | 1.1 | 6 |
| 19 | W122-0512-00 | 2.60.00008000 | Leveller | 1.1 | 6 |
| 20 | W122-0511-00 | 2.55.01.000047 | 2.5" caster | 1.1 | 6 |
| 21 | W122-0919-00 | 203.4.2170.001 | Base board | 1.1 | 1 |
| 22 | W122-0920-00 | 203.4.2170.003 | Front support board | 1.1 | 2 |
| 23 | W122-0516-00 | 2.60.00067000 | Corner | 1.1 | 85 |
| 24 | W122-0921-00 | 203.4.2170.014 | Front R side board | 1.1 | 1 |

9.7 Cabinet Bottom Electrical Assembly



| No. | Part No. | Code No. | Name | Version | Qty |
|-----|--------------|----------------|------------------------------|---------|-----|
| 1 | W122-0402-00 | 202.4.2002.045 | Power supply fixing plate(S) | 1.1 | 1 |
| 2 | W122-0403-00 | 2.60.00061000 | Power supply fixing plate(L) | 1.1 | 1 |
| 3 | W122-0404-00 | 202.4.2002.044 | Adapter fixing plate | 1.1 | 1 |
| 4 | W122-0405-00 | 202.1.1707.041 | Audio isolator fixing plate | 1.1 | 1 |
| 5 | W122-0406-00 | 2.60.00055000 | Dongle plate | 1.1 | 1 |
| 6 | W122-0407-00 | 2.60.00064000 | Recovery stick plate | 1.1 | 1 |
| 7 | W122-0408-00 | 202.4.2170.014 | Side back protect plate | 1.1 | 2 |
| 8 | W122-0409-00 | 202.4.2170.015 | Side front protect plate | 1.1 | 2 |
| 9 | W122-0410-00 | 202.4.2170.013 | Back protect plate | 1.1 | 1 |
| 10 | W122-0411-00 | 2.60.00042000B | Wiring socket box | 1.1 | 1 |

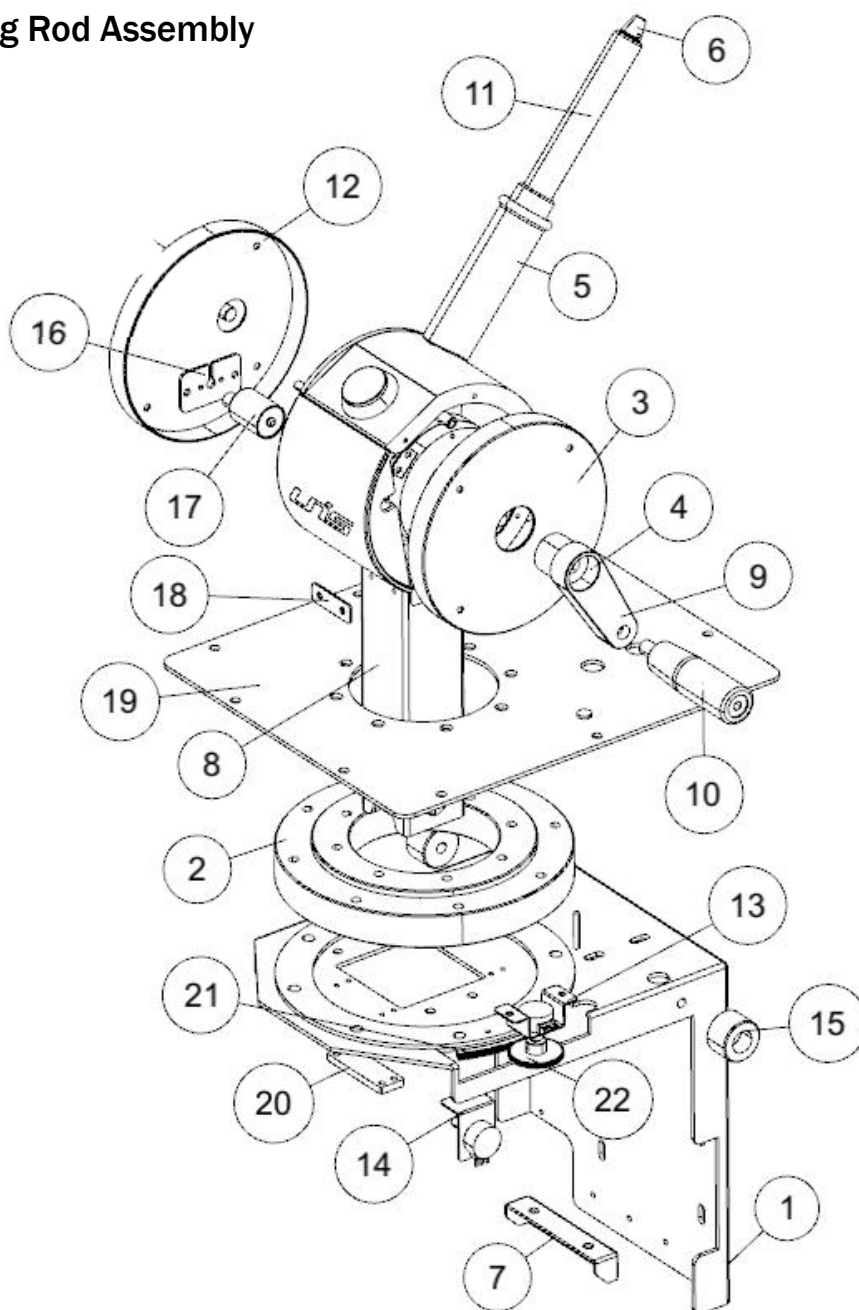
9.8 Control Panel Assembly



| No. | Part No. | Code No. | Name | Version | Qty |
|-----|--------------|-----------------|---------------------------------|---------|-----|
| 1 | W122-0102-00 | 202.4.2142.013 | Ctrl. panel bottom plate | 1.1 | 1 |
| 2 | W122-0103-00 | 205.4.2142A.009 | Ctrl. panel upper light plastic | 1.1 | 1 |
| 3 | W122-0104-00 | 202.4.2142.015 | Rubber fixing plate | 1.1 | 1 |
| 4 | W122-0105-00 | 202.4.2142.012 | Ctrl. panel upper plate | 1.1 | 1 |
| 5 | W122-0106-00 | 202.4.2142.016 | Blanking plate | 1.1 | 1 |
| 6 | W122-0107-00 | 206.4.2142.003 | Ctrl. panel light plastic A | 1.1 | 1 |
| 7 | W122-0108-00 | 206.4.2142.004 | Ctrl. panel light plastic B | 1.1 | 2 |
| 8 | W122-0109-00 | 206.4.2142.005 | Ctrl. panel light plastic C | 1.1 | 2 |
| 9 | W122-0110-00 | 206.4.2142.006 | Ctrl. panel light plastic D | 1.1 | 1 |

| No. | Part No. | Code No. | Name | Version | Qty |
|-----|--------------|----------------|-----------------------------|---------|-----|
| 10 | W122-0111-00 | 202.4.2142.010 | Front&back protective plate | 1.1 | 2 |
| 11 | W122-0112-00 | 2.60.00006000 | Ticket box | 1.1 | 1 |
| 12 | W122-0113-00 | 2.60.00044000 | Counter bracket | 1.1 | 1 |
| 13 | W122-0114-00 | 2.60.00065000 | Out of ticket light cover | 1.1 | 1 |
| 14 | W122-0115-00 | 2.60.00051000 | Ticket cover | 1.1 | 1 |
| 15 | W122-0116-00 | 206.4.2142.007 | Reflection PVC | 1.1 | 1 |
| 16 | W122-0117-00 | 202.4.2002.028 | DBV cover | 1.1 | 1 |
| 17 | W122-0118-00 | 202.4.2002.029 | DBV plate | 1.1 | 1 |
| 18 | W122-0119-00 | 206.4.2142.021 | Buffer pad | 1.1 | 2 |
| 19 | W122-0121-00 | 206.4.2142.008 | Limited pad B | 1.1 | 2 |
| 20 | W122-0122-00 | 202.4.2002.030 | Coin chute | 1.1 | 1 |
| 21 | W122-0123-00 | 2.53.00172001 | 171B lock | 1.1 | 1 |
| 22 | W122-0124-00 | 2.60.00068000 | Coin inner box | 1.1 | 1 |
| 23 | W122-0125-00 | 202.4.2170.035 | Back plate | 1.1 | 1 |
| 24 | W122-0126-00 | 202.4.2142.011 | L&R protective plate | 1.1 | 2 |
| 25 | W122-0502-00 | 203.4.2170.004 | Ctrl. panel base board | 1.1 | 1 |
| 26 | W122-0503-00 | 202.4.2142.008 | Back strengthen plate | 1.1 | 1 |
| 27 | W122-0504-00 | 203.4.2170.005 | Coin outer box | 1.1 | 1 |
| 28 | W122-0505-00 | 203.4.2170.027 | Ctrl. panel top board | 1.1 | 1 |
| 29 | W122-0507-00 | 203.4.2170.023 | Ctrl. panel L side board | 1.1 | 1 |
| 30 | W122-0508-00 | 2.63.00.000001 | 4" hinge | 1.1 | 2 |
| 31 | W122-0509-00 | 203.4.2170.028 | Ctrl. panel front door | 1.1 | 1 |
| 32 | W122-0510-00 | 203.4.2170.026 | Ctrl. panel front board | 1.1 | 1 |
| 33 | W122-0511-00 | 2.55.01.000047 | 2.5"caster | 1.1 | 3 |
| 34 | W122-0512-00 | 2.60.00008000 | 2" leveller | 1.1 | 3 |
| 35 | W122-0513-00 | 202.4.2002.026 | Caster plate | 1.1 | 3 |
| 36 | W122-0514-00 | 203.4.2170.024 | Ctrl. panel R side board | 1.1 | 1 |
| 37 | W122-0515-00 | 2.53.00171001 | 171A lock | 1.1 | 1 |
| 38 | W122-0516-00 | 2.60.00067000 | Corner | 1.1 | 16 |
| 39 | W122-0517-00 | 202.4.2142.009 | Upper strengthen plate | 1.1 | 1 |
| 40 | W122-0518-00 | 203.4.2170.029 | Ctrl. panel back door | 1.1 | 1 |
| 41 | W122-0519-00 | 203.4.2170.025 | Ctrl. panel back board | 1.1 | 1 |

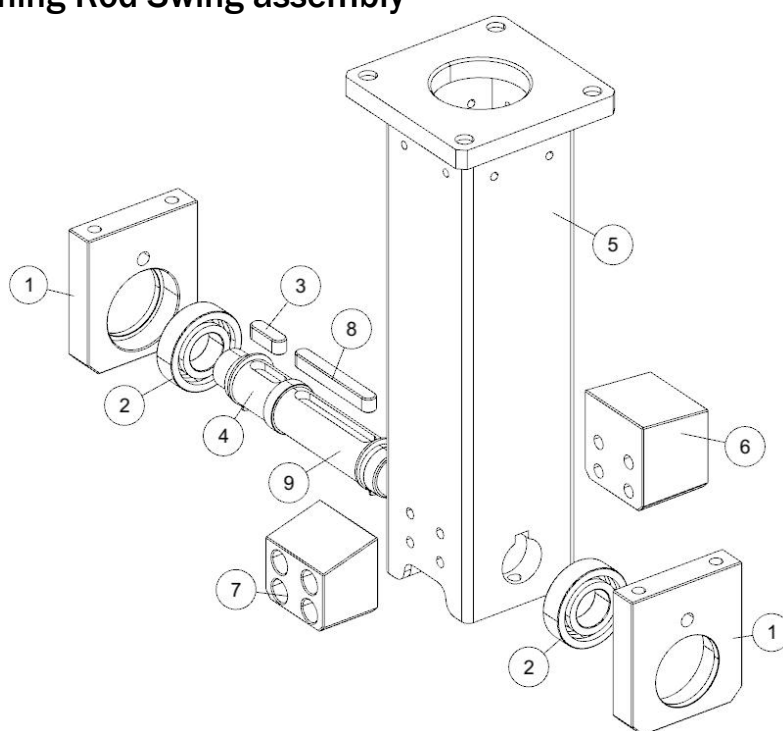
9.9 Fishing Rod Assembly



| No. | Part No. | Code No. | Name | Version | Qty |
|-----|--------------|-----------------|---------------------------|---------|-----|
| 1 | W122-0202-00 | 202.4.2142.017 | Fishing base plate | 1.1 | 1 |
| 2 | W122-0203-00 | 201.06.16.0005 | Toothless slewing bearing | 1.1 | 1 |
| 3 | W122-0214-00 | 202.4.2142.054 | R cover plate | 1.1 | 1 |
| 4 | W122-0215-00 | 2.51.00.080028 | Hole cover ABS | 1.1 | 1 |
| 5 | W122-0216-00 | 206.4.2142.011 | Gum cover | 1.1 | 1 |
| 6 | W122-0218-00 | 202.4.2142.053 | Rod cover | 1.1 | 1 |
| 7 | W122-0219-00 | 202.4.2142.051 | Tension plate | 1.1 | 1 |
| 8 | W122-0234-00 | 206.4.2142.012 | Leather | 1.1 | 1 |
| 9 | W122-0235-00 | 202.4.2142.057 | Swing arm | 1.1 | 1 |
| 10 | W122-0249-00 | 206.4.11.22.005 | Rotation handle | 1.1 | 1 |
| 11 | W122-0250-00 | 202.4.2142.052 | Fishing rod plate | 1.1 | 1 |

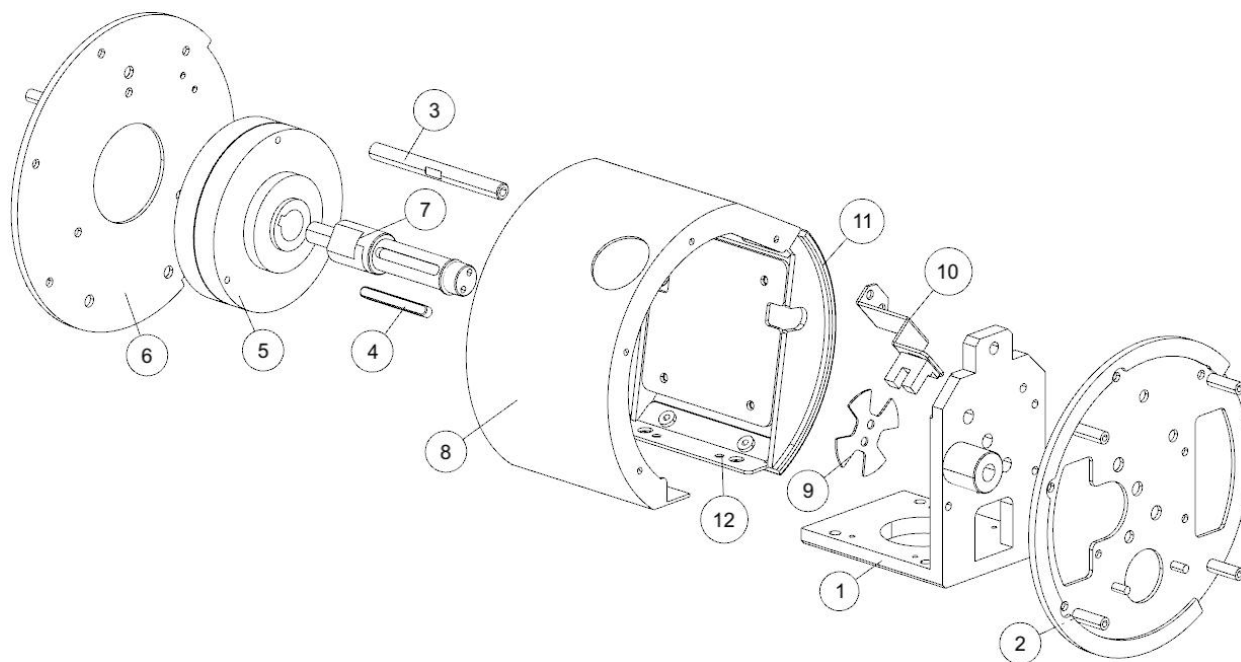
| No. | Part No. | Code No. | Name | Version | Qty |
|-----|--------------|----------------|------------------------------|---------|-----|
| 12 | W122-0251-00 | 202.4.2142.055 | L cover plate | 1.1 | 1 |
| 13 | W122-0252-00 | 202.4.2142.061 | POT mounting plate B | 1.1 | 1 |
| 14 | W122-0253-00 | 202.4.2142.050 | POT mounting plate A | 1.1 | 1 |
| 15 | W122-0254-00 | 206.4.2142.019 | Anti-shake pad | 1.2 | 2 |
| 16 | W122-0255-00 | 202.4.2142.056 | Shaking motor plate | 1.1 | 1 |
| 17 | W122-0256-00 | 2.34.04.000246 | DC motor | 1.1 | 1 |
| 18 | W122-0257-00 | 202.4.2142.058 | Leather small pressing plate | 1.1 | 4 |
| 19 | W122-0258-00 | 202.4.2142.043 | Rotation plate | 1.1 | 1 |
| 20 | W122-0259-00 | 206.4.2142.010 | Limited pad A | 1.1 | 2 |
| 21 | W122-0260-00 | 202.4.2142.060 | Large gear | 1.1 | 1 |
| 22 | W122-0261-00 | 202.4.2142.062 | Small gear | 1.1 | 1 |

9.10 Fishing Rod Swing assembly



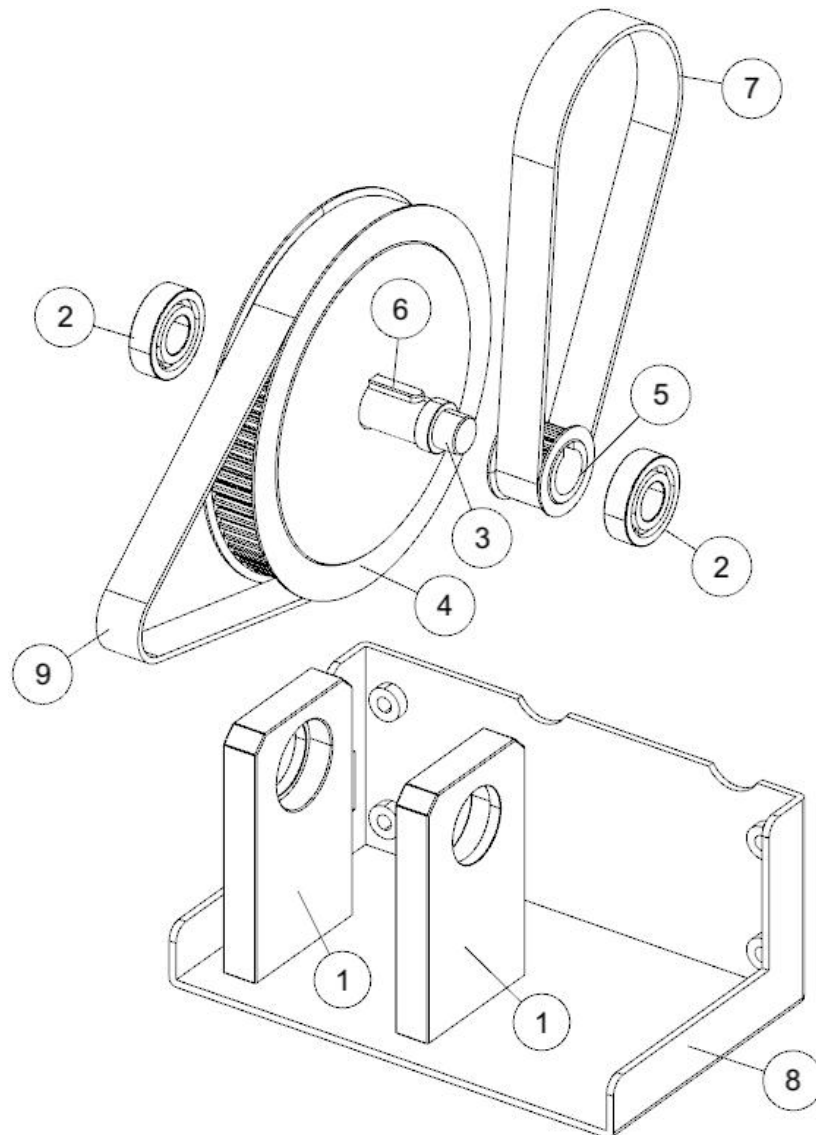
| No. | Part No. | Code No. | Name | Version | Qty |
|-----|--------------|----------------|--------------------------|---------|-----|
| 1 | W122-0205-00 | 202.4.2142.020 | Bearing plate A | 1.1 | 2 |
| 2 | W122-0206-00 | 201.06.000082 | Deep groove ball bearing | 1.1 | 2 |
| 3 | W122-0207-00 | 202.4.2142.023 | Flat key B | 1.1 | 1 |
| 4 | W122-0208-00 | 202.4.2142.113 | Driven wheel | 1.1 | 1 |
| 5 | W122-0209-00 | 202.4.2142.019 | Swing arm plate | 1.1 | 1 |
| 6 | W122-0210-00 | 202.4.2142.025 | Back limit plate | 1.1 | 1 |
| 7 | W122-0211-00 | 202.4.2142.024 | Front limit plate | 1.1 | 1 |
| 8 | W122-0212-00 | 202.4.2142.022 | Flat key A | 1.1 | 1 |
| 9 | W122-0213-00 | 202.4.2142.018 | Swing arm axle | 1.1 | 1 |

9.11 Fishing Rod Clutch Assembly



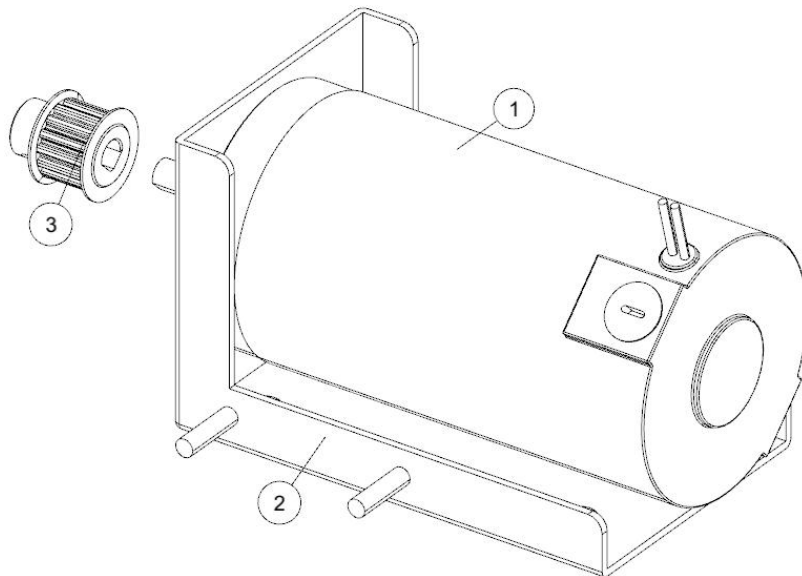
| No. | Part No. | Code No. | Name | Version | Qty |
|-----|--------------|-----------------|----------------------------|---------|-----|
| 1 | W122-0237-00 | 202.4.2142.033 | Fishing rod mounting plate | 1.1 | 1 |
| 2 | W122-0238-00 | 202.4.2142.040 | L side mounting plate | 1.1 | 1 |
| 3 | W122-0239-00 | 202.4.2142.038 | Support rod | 1.1 | 1 |
| 4 | W122-0240-00 | 202.4.2142.039 | Flat key C | 1.1 | 1 |
| 5 | W122-0241-00 | 2.34.13.000002A | Magnetic powder brake | 1.1 | 1 |
| 6 | W122-0242-00 | 202.4.2142.034 | Clutch mounting plate | 1.1 | 1 |
| 7 | W122-0243-00 | 202.4.2142.035 | Magnetic powder brake axle | 1.1 | 1 |
| 8 | W122-0244-00 | 202.4.2142.042 | Back fence plate | 1.1 | 1 |
| 9 | W122-0245-00 | 202.4.2142.036 | Coder plate | 1.1 | 1 |
| 10 | W122-0246-00 | 202.4.2142.037 | Sensor mounting plate | 1.1 | 1 |
| 11 | W122-0247-00 | 202.4.1915.024 | Side light cover PC | 1.1 | 1 |
| 12 | W122-0248-00 | 202.4.2142.041 | Bottom fence plate | 1.1 | 1 |

9.12 Fishing Rod Rolling Wheel Assembly



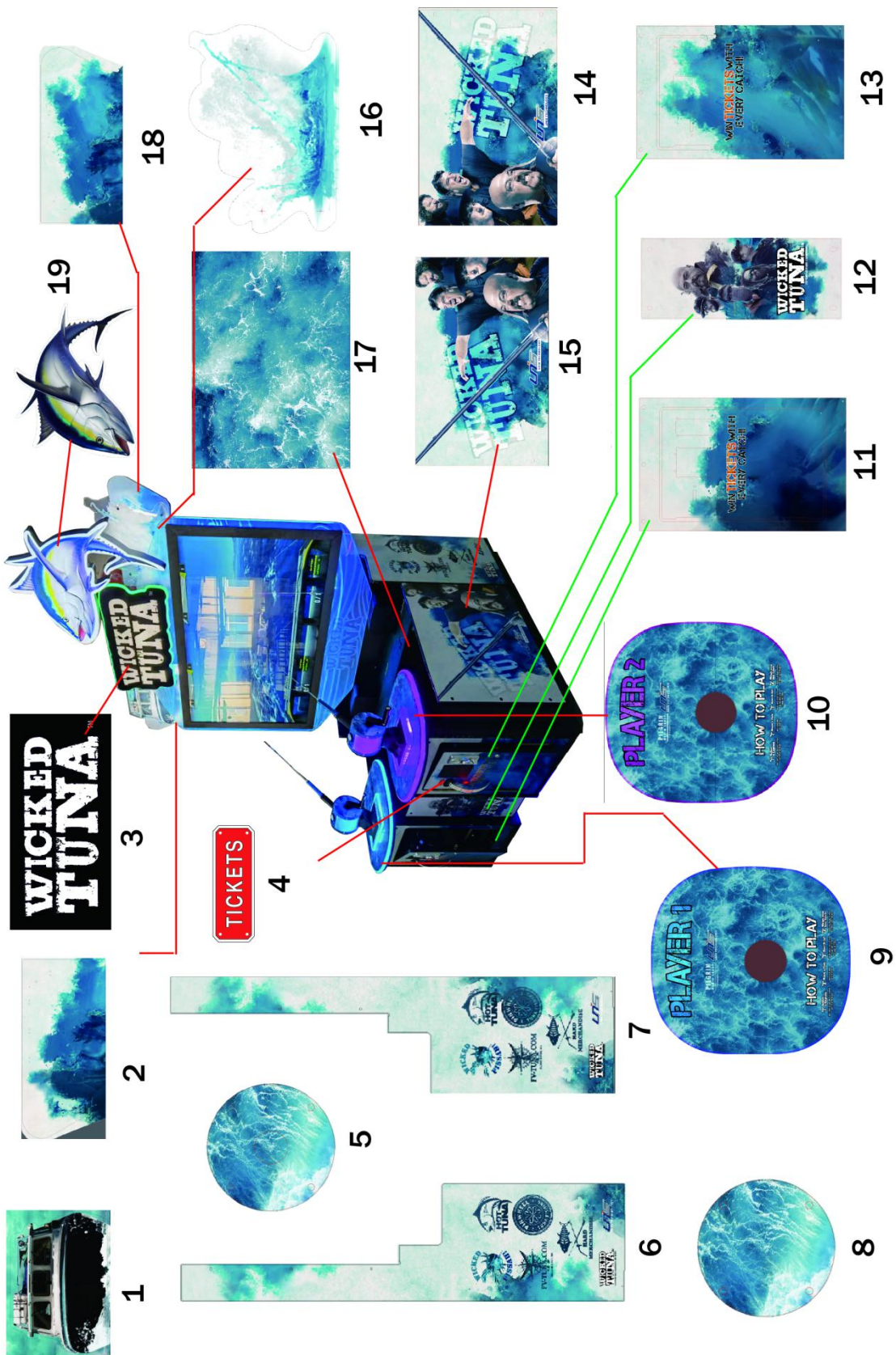
| No. | Part No. | Code No. | Name | Version | Qty |
|-----|--------------|----------------|--------------------------|---------|-----|
| 1 | W122-0225-00 | 202.4.2142.027 | Bearing plate B | 1.1 | 2 |
| 2 | W122-0226-00 | 201.06.000083 | Deep groove ball bearing | 1.1 | 2 |
| 3 | W122-0227-00 | 202.4.2142.028 | Transit axle | 1.1 | 1 |
| 4 | W122-0228-00 | 202.4.2142.029 | Transit large wheel | 1.1 | 1 |
| 5 | W122-0229-00 | 202.4.2142.112 | Transit small wheel | 1.1 | 1 |
| 6 | W122-0230-00 | 202.4.2142.095 | Flat key D | 1.1 | 1 |
| 7 | W122-0231-00 | 2.65.04.000132 | Synchronous belt | 1.1 | 1 |
| 8 | W122-0232-00 | 202.4.2142.026 | Transit base plate | 1.1 | 1 |
| 9 | W122-0233-00 | 2.65.04.000008 | Synchronous belt | 1.1 | 1 |

9.13 Fishing Rod Motor Assembly



| No. | Part No. | Code No. | Name | Version | Qty |
|-----|--------------|----------------|---------------|---------|-----|
| 1 | W122-0221-00 | 2.34.04.000249 | DC motor | 1.1 | 1 |
| 2 | W122-0222-00 | 202.4.2142.031 | Motor plate | 1.1 | 1 |
| 3 | W122-0223-00 | 202.4.2142.032 | Driving wheel | 1.1 | 1 |

9.14 Decal Part



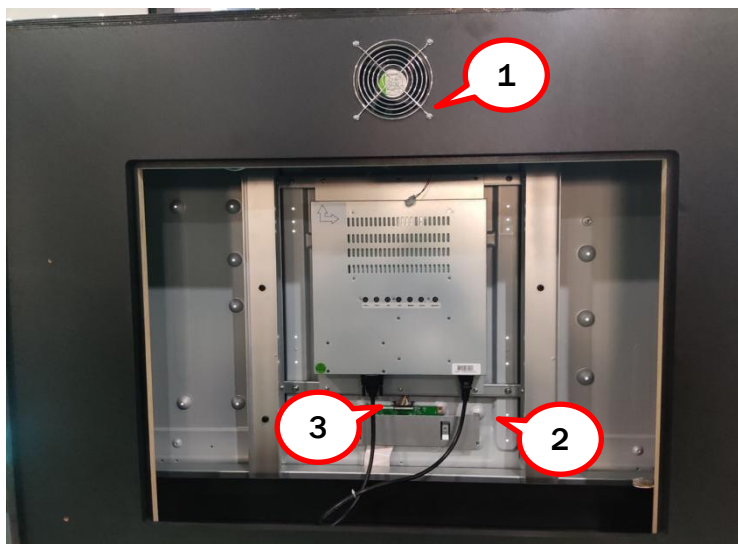
| No. | Part No. | Code No. | Name | Version | Qty |
|-----|--------------|------------------|---------------------------|---------|-----|
| 1 | W122-0703-00 | 205.4.2170.005/1 | Boat plastic | 1.1 | 1 |
| 2 | W122-0702-00 | 205.4.2170.003/1 | L Andy board | 1.1 | 1 |
| 3 | W122-0804-00 | 205.4.2170.001/1 | LOGO marquee plastic | 1.1 | 1 |
| 4 | W122-1241-00 | 2.56.00.000034A | Ticket decal | 1.1 | 2 |
| 5 | W122-1219-00 | 205.4.2142A.021 | R side rotation PVC | 1.1 | 2 |
| 6 | W122-1231-00 | 205.4.2170.012/1 | L back side PVC | 1.1 | 1 |
| 7 | W122-1229-00 | 205.4.2170.010/1 | R back side PVC | 1.1 | 1 |
| 8 | W122-1220-00 | 205.4.2142A.036 | L side rotation PVC | 1.1 | 2 |
| 9 | W122-1232-00 | 205.4.2170.013/1 | Ctrl. panel 1P decal | 1.1 | 1 |
| 10 | W122-1233-00 | 205.4.2170.014/1 | Ctrl. panel 2P decal | 1.1 | 1 |
| 11 | W122-1234-00 | 205.4.2170.015/1 | Ctrl. panel 1P door decal | 1.1 | 1 |
| 12 | W122-1227-00 | 205.4.2170.008/1 | Character PVC | 1.1 | 1 |
| 13 | W122-1235-00 | 205.4.2170.016/1 | Ctrl. panel 2P door decal | 1.1 | 1 |
| 14 | W122-1230-00 | 205.4.2170.011/1 | L side PVC | 1.1 | 1 |
| 15 | W122-1228-00 | 205.4.2170.009/1 | R side PVC | 1.1 | 1 |
| 16 | W122-0704-00 | 205.4.2170.006/1 | Water drop PVC | 1.1 | 1 |
| 17 | W122-0304-00 | 205.4.2170.007/1 | Cloth | 1.1 | 1 |
| 18 | W122-0705-00 | 205.4.2170.004/1 | R Andy board | 1.1 | 1 |
| 19 | W122-0008-00 | 205.4.2170.002/1 | Fish marquee | 1.1 | 1 |

| No. | Part No. | Code No. | Name | Version | Qty |
|-----|--------------|------------------|------------------------|---------|-----|
| 1 | W122-1221-00 | 2.56.00.000001 | Coin counter | 1.1 | 2 |
| 2 | W122-1222-00 | 2.56.00.000002 | Ticket counter | 1.1 | 2 |
| 3 | W122-1224-00 | 2.56.00.000009 | Test button decal | 1.1 | 2 |
| 4 | W122-1223-00 | 2.56.00.000006 | Reset button decal | 1.1 | 2 |
| 5 | W122-1225-00 | 2.56.00.000092 | Settings button decal | 1.1 | 2 |
| 6 | W122-1216-00 | 2.56.00.000093 | Dongle decal | 1.1 | 1 |
| 7 | W122-1218-00 | 2.56.00.000096 | Service decal(S) | 1.1 | 2 |
| 8 | W122-1203-00 | 205.1.1707H.016 | AAMA wiring decal | 1.1 | 2 |
| 9 | W122-1206-00 | 2.56.00.000116 | Recovery stick decal | 1.1 | 1 |
| 10 | W122-1205-00 | 205.1.1605A.040 | Adapter decal | 1.1 | 1 |
| 11 | W122-1209-00 | 2.56.00.000036 | High voltage label(S) | 1.1 | 3 |
| 12 | W122-1239-00 | 205.4.2170.020/1 | Fuse instruction decal | 1.1 | 1 |
| 13 | W122-1207-00 | 2.56.00.000117 | DBV decal | 1.1 | 2 |
| 14 | W122-1204-00 | 2.56.00.000120 | AAMA warning decal | 1.1 | 2 |
| 15 | W122-1240-00 | 205.4.2170.016/2 | 110V nameplate | 1.1 | 1 |
| 16 | W122-1236-00 | 205.4.2170.017/1 | 220V nameplate | 1.1 | 1 |
| 17 | W122-1237-00 | 205.4.2170.018/1 | 220V nameplate(CE) | 1.1 | 1 |
| 18 | W122-1238-00 | 205.4.2170.019/1 | Wiring decal | 1.1 | 1 |
| 19 | W122-1212-00 | 2.56.00.000060 | Pushing warning decal | 1.1 | 1 |
| 20 | W122-1211-00 | 2.56.00.000042 | Service decal(green) | 1.1 | 1 |
| 21 | W122-1213-00 | 2.56.00.000067 | Service label(yellow) | 1.1 | 1 |
| 22 | W122-1217-00 | 2.56.00.000095 | Service decal(L) | 1.1 | 1 |
| 23 | W122-1215-00 | 2.56.00.000077 | Fuse(T10A) decal | 1.1 | 1 |
| 24 | W122-1214-00 | 2.56.00.000071 | 110V decal | 1.1 | 1 |
| 25 | W122-1210-00 | 2.56.00.000037 | High voltage decal(L) | 1.1 | 2 |
| 26 | W122-1208-00 | 2.56.00.000017 | Power SW decal | 1.1 | 1 |
| 27 | W122-1243-00 | 2.56.00.000097 | Network label | 1.1 | 1 |
| 28 | W122-1226-00 | 2.56.00.000072 | 220V decal | 1.1 | 1 |
| 29 | W122-1242-00 | 25600000075 | Fuse decal(T6A) | 1.1 | 1 |

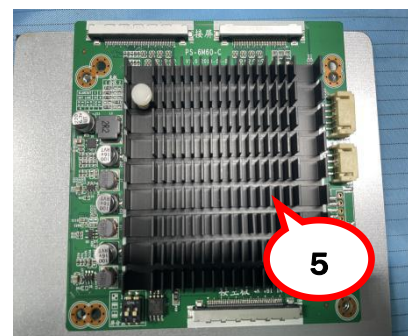
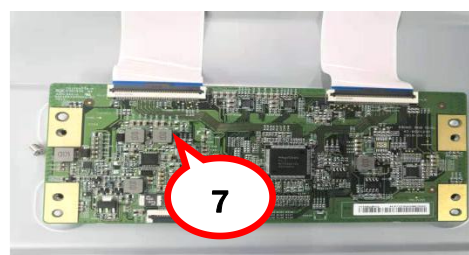
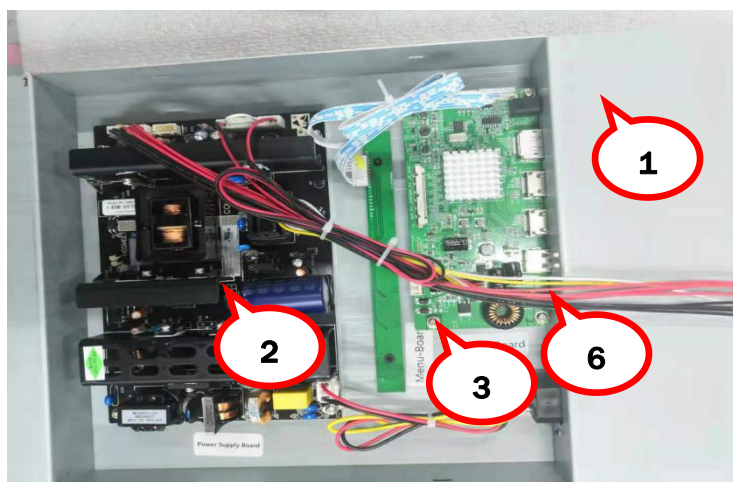
9.15 Electrical Component



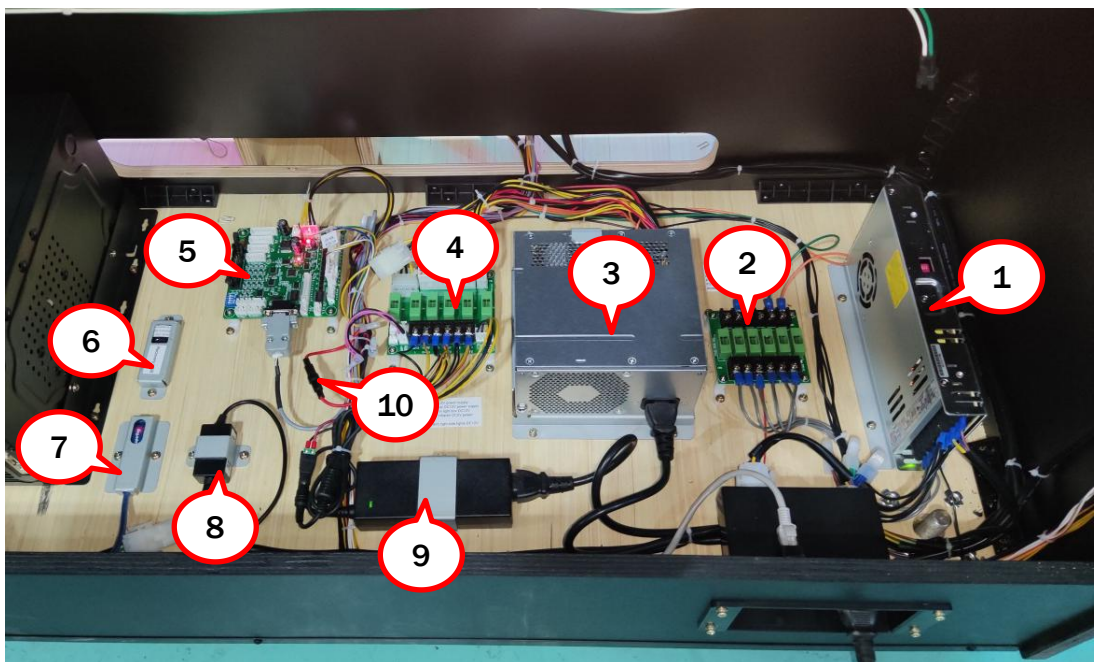
| No. | Part No. | Code No. | Name | Version | Qty |
|-----|--------------|------------------|-------------------------|---------|--------------------|
| 1 | W122-0008-00 | 205.4.2170.002/1 | Fish marquee | 1.1 | 2 |
| 2 | W122-1135-00 | 2.20.02.020029 | 2835 white light strip | 1.1 | 106.29in (2700mm) |
| | W122-1134-00 | 2.20.02.020031 | 5050 RGB light strip | 1.1 | 82.67in (2100mm) |
| 3 | W122-1135-00 | 2.20.02.020029 | 2835 white light strip | 1.1 | 47.44in (1205mm) |
| 4 | W122-1135-00 | 2.20.02.020029 | 2835 white light strip | 1.1 | 42.71in (1085mm) |
| 5 | W122-1147-00 | 2.12.01065002G | 65" monitor | 1.1 | 2 |
| 6 | W122-1134-00 | 2.20.02.020031 | 5050 RGB light strip | 1.1 | 185.03in (4700mm) |
| 7 | W122-1122-00 | 2.28.06.010007 | Speaker | 1.1 | 2 |
| 8 | W122-1134-00 | 2.20.02.020031 | 5050 RGB light strip | 1.1 | 64.96in (1650mm) |
| 9 | W122-1134-00 | 2.20.02.020031 | 5050 RGB light strip | 1.1 | 17.71in (450mm) |
| 10 | W122-1110-00 | 297.4.1915002 | Rod light board | 1.1 | 2 |
| 11 | W122-1131-00 | 2.23.01000002 | Coin mechanism | 1.1 | 2 |
| 12 | W122-1146-00 | 2.20.02.020061 | 2835 purple light strip | 1.1 | 3.93×2in (100mm×2) |



| No. | Part No. | Code No. | Name | Version | Qty |
|-----|--------------|----------------|--------------------|---------|-----|
| 1 | W122-1132-00 | 2.27.02.000010 | Fan net | 1.1 | 2 |
| | W122-1133-00 | 2.27.02.020006 | Fan | 1.1 | 1 |
| 2 | W122-1136-00 | 2.33.01.018002 | Power cord | 1.1 | 1 |
| 3 | W122-1111-00 | 2.33.07.050011 | DP-DVI video cable | 1.1 | 1 |



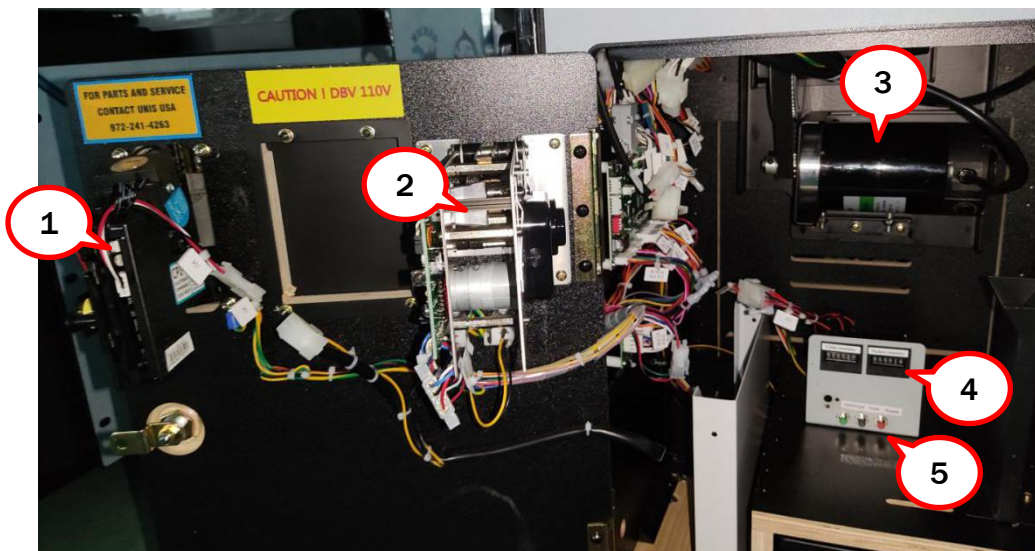
| No. | Part No. | Code No. | Name | Version | Qty |
|-----|--------------|----------------|----------------------------|---------|-----|
| 1 | W122-1165-00 | 2.16.02.000160 | Chassis kit of 86" monitor | 1.1 | 1 |
| 2 | W122-1162-00 | 2.17.14.000261 | Power board | 1.1 | 1 |
| 3 | W122-1161-00 | 2.17.03.010013 | Driver board | 1.1 | 1 |
| 4 | W122-1164-00 | 2.17.13.000018 | 7-key board | 1.1 | 1 |
| 5 | W122-1163-00 | 2.17.14.000263 | Converted board | 1.1 | 1 |
| 6 | W122-1166-00 | 2.33.09.000446 | Cable set | 1.1 | 1 |
| 7 | W122-1167-00 | 2.17.14.000262 | Logical board | 1.1 | 1 |



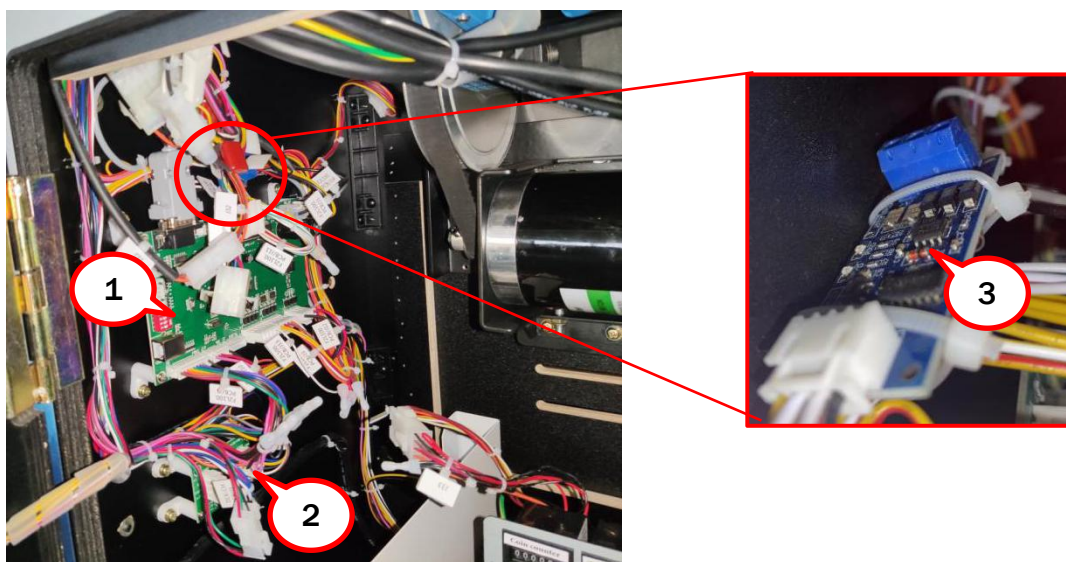
| No. | Part No. | Code No. | Name | Version | Qty |
|-----|--------------|-----------------|------------------|---------|-----|
| 1 | W122-1141-00 | 2.16.02.000105 | 24V power supply | 1.1 | 2 |
| 2 | W122-1142-00 | 2.17.14.000243 | Fuse board(24V) | 1.1 | 1 |
| 3 | W122-1140-00 | 2.16.02.000106 | 12V power supply | 1.1 | 1 |
| 4 | W122-1143-00 | 2.17.14.000244 | Fuse board(12V) | 1.1 | 1 |
| 5 | W122-1139-00 | 297.9.0300007A | U6 mainboard | 1.1 | 1 |
| 6 | W122-1128-00 | 4.13.00000008 | Recovery stick | 1.1 | 1 |
| 7 | W122-1148-00 | 2.11.09.000014 | Dongle | 1.1 | 1 |
| 8 | W122-1138-00 | 2.28.07.000003 | Audio isolator | 1.1 | 1 |
| 9 | W122-1105-00 | 2.16.03.000076 | Adapter | 1.1 | 1 |
| 10 | W122-1149-00 | 2.19.01.000004A | Fuse(T5A) | 1.1 | 1 |
| | W122-1150-00 | 2.19.02.000024 | Fuse holder | 1.1 | 1 |



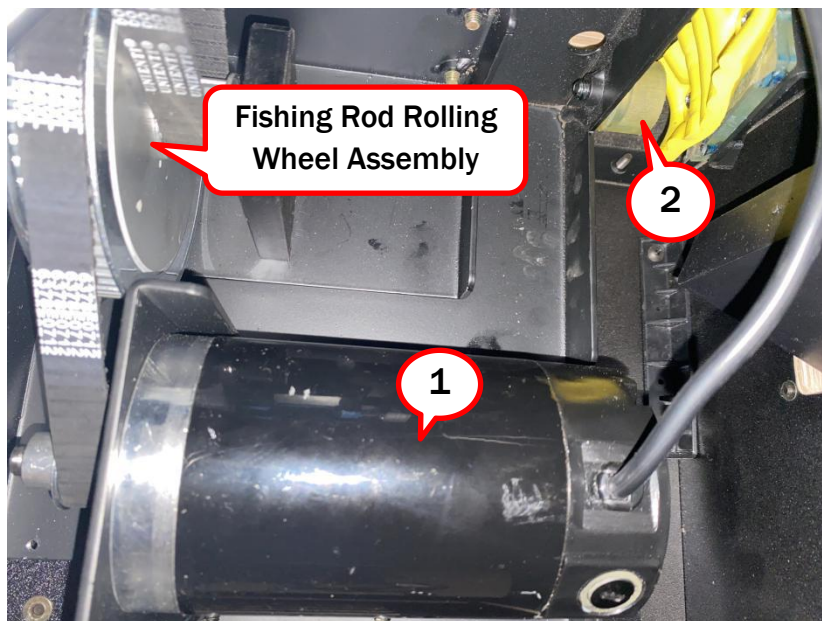
| No. | Part No. | Code No. | Name | Version | Qty |
|-----|--------------|----------------|-----------|---------|-----|
| 1 | W122-1145-00 | 2.28.03.010011 | Amplifier | 1.1 | 1 |
| 2 | W122-1126-00 | 2.11.02000094 | PC | 1.1 | 1 |



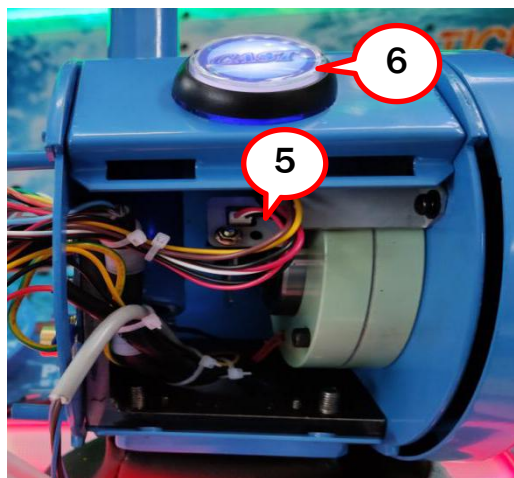
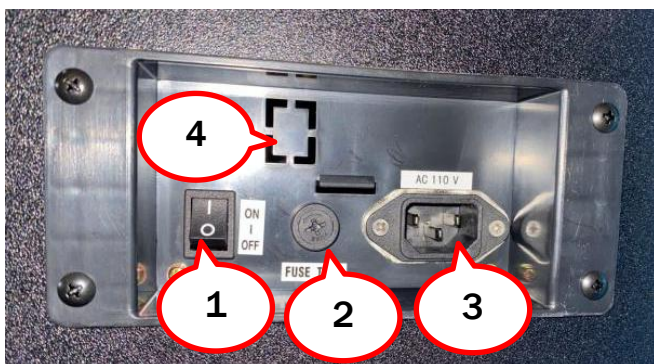
| No. | Part No. | Code No. | Name | Version | Qty |
|-----|--------------|----------------|---------------------|---------|-----|
| 1 | W122-1131-00 | 2.23.01000002 | Coin mechanism | 1.1 | 2 |
| 2 | W122-1130-00 | 2.31.00000005 | Ticket dispenser | 1.1 | 2 |
| | W122-1129-00 | 2.20.03.000003 | Out of ticket light | 1.1 | 2 |
| | W122-1152-00 | 2.22.01.000028 | Light socket | 1.1 | 2 |
| 3 | W122-0221-00 | 2.34.04.000249 | DC motor | 1.1 | 2 |
| 4 | W122-1112-00 | 2.30.00000006 | Counter | 1.1 | 4 |
| 5 | W122-1107-00 | 2.24.02.010002 | Button(red) | 1.1 | 2 |
| | W122-1108-00 | 2.24.02.030002 | Button(green) | 1.1 | 2 |
| | W122-1109-00 | 2.24.02.050001 | Button(black) | 1.1 | 2 |



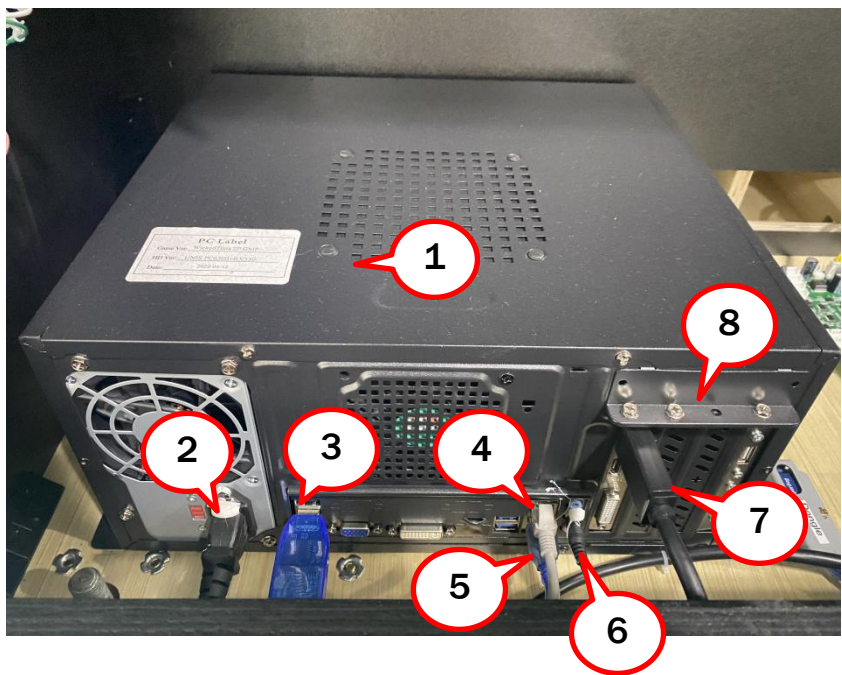
| No. | Part No. | Code No. | Name | Version | Qty |
|-----|--------------|----------------|-------------------------------|---------|-----|
| 1 | W122-1114-00 | 2.17.14.000257 | Forces Feedback System board | 1.1 | 2 |
| 2 | W122-1117-00 | 297.9.0700002 | Ticket converted board | 1.1 | 2 |
| 3 | W122-1124-00 | 2.14.12.030004 | TTL to 485 serial port(MK742) | 1.1 | 2 |



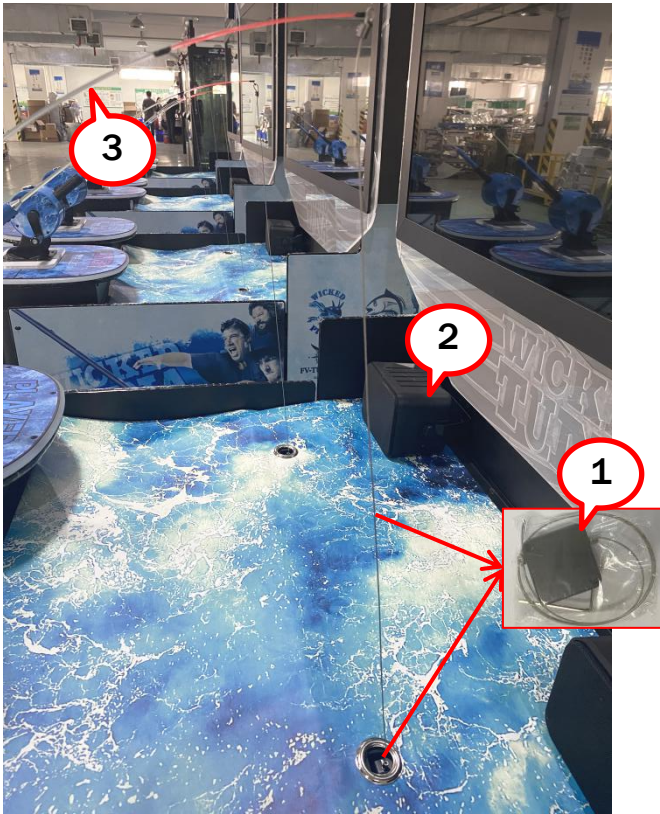
| No. | Part No. | Code No. | Name | Version | Qty |
|-----|--------------|----------------|----------|---------|-----|
| 1 | W122-0221-00 | 2.34.04.000249 | DC motor | 1.1 | 1 |
| 2 | W122-1118-00 | 2.25.01000030 | POT | 1.1 | 4 |



| No. | Part No. | Code No. | Name | Version | Qty |
|-----|--------------|----------------|-----------------------|---------|-----|
| 1 | W122-1104-00 | 2.26.01.000005 | Rocket SW | 1.1 | 1 |
| 2 | W122-1102-00 | 2.19.02.000006 | Fuse | 1.1 | 1 |
| 3 | W122-1103-00 | 2.32.01000001A | Filter | 1.1 | 1 |
| 4 | W122-1119-00 | 2.33.02.000001 | Network port | 1.1 | 1 |
| | W122-1120-00 | 2.33.02.000013 | Network cable | 1.1 | 1 |
| 5 | W122-1113-00 | 2.15.03.000054 | Optoelectronic switch | 1.1 | 2 |
| 6 | W122-1115-00 | 2.24.02.000201 | Button | 1.1 | 2 |

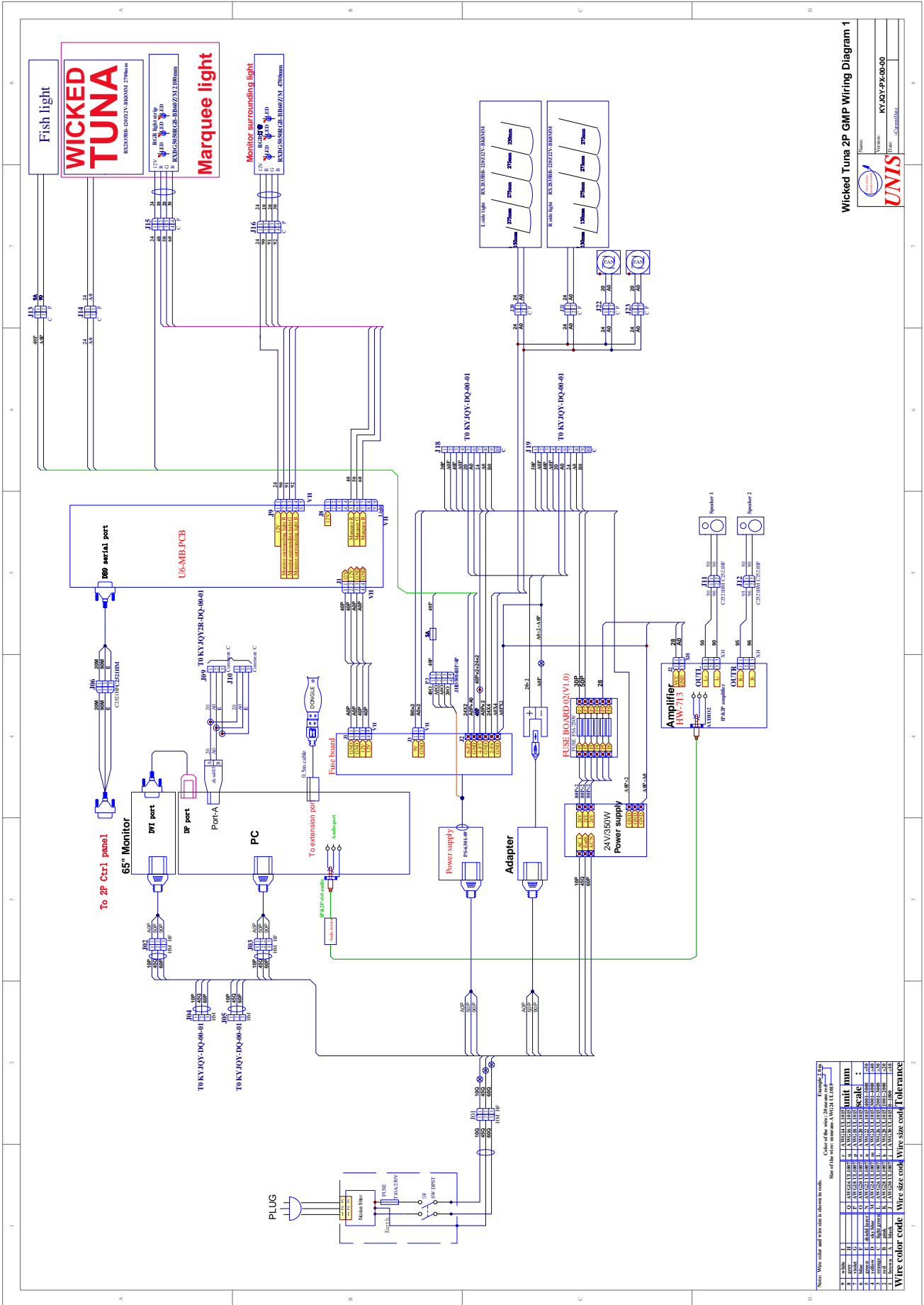


| No. | Part No. | Code No. | Name | Version | Qty |
|-----|--------------|----------------|-------------------------------|---------|-----|
| 1 | W122-1126-00 | 2.11.02000094 | PC | 1.1 | 1 |
| | W122-1153-00 | 2.66.01.120315 | Mainboard | 1.1 | 1 |
| | W122-1154-00 | 2.11.07.190017 | CPU | 1.1 | 1 |
| | W122-1155-00 | 2.11.07.070003 | CPU fan | 1.1 | 1 |
| | W122-1156-00 | 2.66.01.090508 | Hard disk | 1.1 | 1 |
| | W122-1157-00 | 2.11.07.030102 | Video card | 1.1 | 1 |
| | W122-1158-00 | 2.11.07.170012 | PC power supply | 1.1 | 1 |
| | W122-1159-00 | 2.66.01.120236 | PC case | 1.1 | 1 |
| | W122-1160-00 | 2.66.01.120235 | Fan | 1.1 | 1 |
| 2 | W122-1136-00 | 2.33.01.018002 | Power cord | 1.1 | 1 |
| 3 | W122-1123-00 | 2.14.12.030003 | TTL to 485 serial port(RS281) | 1.1 | 1 |
| 4 | W122-1120-00 | 2.33.02.000013 | Network cable | 1.1 | 1 |
| 5 | W122-1116-00 | 2.33.04.000100 | Extension cable | 1.1 | 1 |
| 6 | W122-1106-00 | 2.33.05.000004 | Audio cable | 1.1 | 1 |
| 7 | W122-1111-00 | 2.33.07.050011 | DP-DVI video cable | 1.1 | 1 |
| 8 | W122-1125-00 | 2.33.04.080016 | USB blanking plate | 1.1 | 1 |



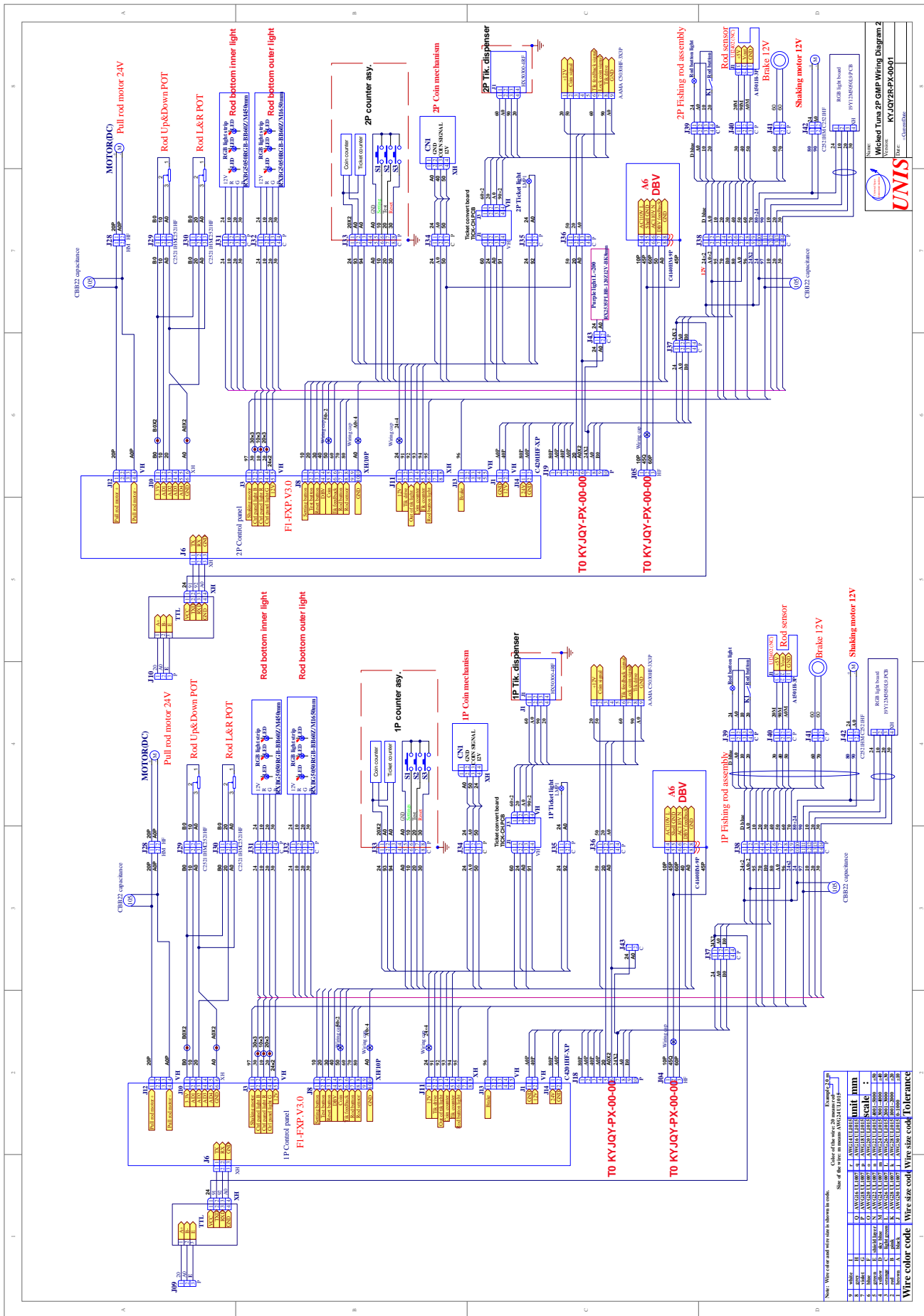
| No. | Part No. | Code No. | Name | Version | Qty |
|-----|--------------|----------------|------------|---------|-----|
| 1 | W122-0005-00 | 2.51.08.070009 | Wiring box | 1.1 | 2 |
| 2 | W122-1122-00 | 2.28.06.010007 | Speaker | 1.1 | 2 |
| 3 | W122-0012-00 | 206.4.2002.026 | Rod | 1.1 | 2 |

10. WIRING DIAGRAM



Wicked Tuna 2P GMP Wiring Diagram 1

Name: _____
 Version: KYJQY-PX-00-00
 Date: _____



Wicked Tuna 2P GMP Wiring Diagram 2
 Version: KYJQY-PX-00-01
 Date:
 Calculator:
UNIS

Note: Wire color and wire size are shown in code.

| Wire color code | Wire size code | Wire size code | Tolerance |
|-----------------|----------------|----------------|-----------|
| AWG14 | 14 | AWG14 | ±0.05mm |
| AWG16 | 16 | AWG16 | ±0.05mm |
| AWG18 | 18 | AWG18 | ±0.05mm |
| AWG20 | 20 | AWG20 | ±0.05mm |
| AWG22 | 22 | AWG22 | ±0.05mm |
| AWG24 | 24 | AWG24 | ±0.05mm |
| AWG26 | 26 | AWG26 | ±0.05mm |
| AWG28 | 28 | AWG28 | ±0.05mm |
| AWG30 | 30 | AWG30 | ±0.05mm |
| AWG32 | 32 | AWG32 | ±0.05mm |
| AWG34 | 34 | AWG34 | ±0.05mm |
| AWG36 | 36 | AWG36 | ±0.05mm |
| AWG38 | 38 | AWG38 | ±0.05mm |
| AWG40 | 40 | AWG40 | ±0.05mm |
| AWG42 | 42 | AWG42 | ±0.05mm |
| AWG44 | 44 | AWG44 | ±0.05mm |
| AWG46 | 46 | AWG46 | ±0.05mm |
| AWG48 | 48 | AWG48 | ±0.05mm |
| AWG50 | 50 | AWG50 | ±0.05mm |
| AWG52 | 52 | AWG52 | ±0.05mm |
| AWG54 | 54 | AWG54 | ±0.05mm |
| AWG56 | 56 | AWG56 | ±0.05mm |
| AWG58 | 58 | AWG58 | ±0.05mm |
| AWG60 | 60 | AWG60 | ±0.05mm |
| AWG62 | 62 | AWG62 | ±0.05mm |
| AWG64 | 64 | AWG64 | ±0.05mm |
| AWG66 | 66 | AWG66 | ±0.05mm |
| AWG68 | 68 | AWG68 | ±0.05mm |
| AWG70 | 70 | AWG70 | ±0.05mm |
| AWG72 | 72 | AWG72 | ±0.05mm |
| AWG74 | 74 | AWG74 | ±0.05mm |
| AWG76 | 76 | AWG76 | ±0.05mm |
| AWG78 | 78 | AWG78 | ±0.05mm |
| AWG80 | 80 | AWG80 | ±0.05mm |
| AWG82 | 82 | AWG82 | ±0.05mm |
| AWG84 | 84 | AWG84 | ±0.05mm |
| AWG86 | 86 | AWG86 | ±0.05mm |
| AWG88 | 88 | AWG88 | ±0.05mm |
| AWG90 | 90 | AWG90 | ±0.05mm |
| AWG92 | 92 | AWG92 | ±0.05mm |
| AWG94 | 94 | AWG94 | ±0.05mm |
| AWG96 | 96 | AWG96 | ±0.05mm |
| AWG98 | 98 | AWG98 | ±0.05mm |
| AWG100 | 100 | AWG100 | ±0.05mm |