



IMPORTANT



Be Sure
to Read this
Manual
Before Use



UNIS TECHNOLOGY

Operation Manual

WE ARE HERE TO ASSIST For parts and service



Have Questions? Contact us!

UNIS SERVICE CENTER
Tel: 972-241-4263
Email: service@unispartsandservice.com

When contacting Service, you will need the following information
and the name of your authorized distributor.

INDOOR MACHINE	
NAME: Ultra Moto VR GMP	MAX POWER: 2300W
MODEL: V-017	MIN POWER: 800W
S/N:	FREQUENCY: 50/60Hz
VOLTAGE: AC110V~	DATE:
Guangdong UNIS Technology Co.,Ltd.	

INDOOR MACHINE	
NAME: Ultra Moto VR GMP	MAX POWER: 2300W
MODEL: V-017	MIN POWER: 800W
S/N:	FREQUENCY: 50/60Hz
VOLTAGE: AC220V-240V~	DATE:
Guangdong UNIS Technology Co.,Ltd.	

CONTENT

IMPORTANT SAFETY INSTRUCTIONS.....	3
1. SPECIFICATIONS.....	5
2. CONTENTS OF THE ACCESSORY KIT.....	8
3. PART NAME.....	9
4. SET UP & INSTALLATION.....	10
5. HOW TO PLAY.....	19
6. GAME OPTION.....	20
7. TROUBLESHOOTING.....	25
8. MAINTENANCE & INSPECTION.....	31
9. OVERALL CONSTRUCTION.....	53
10. AIR COMPRESSOR INSTRUCTION.....	88
11. WIRING DIAGRAM.....	95

Thank you for purchasing **Ultra Moto VR**. We hope you enjoy the product.

This manual contains valuable information about how to operate and maintain your game machine properly and safely. It is intended for the owner and/or personnel in charge of product operation. Carefully read and understand the instructions.

If you need any help during installation and setup please utilize this manual and troubleshooting guide. If the product fails to function properly, *non-technical personnel should under no circumstance attempt to service the machine*. Contact your distributor or manufacturer for help.

Before use, please read **IMPORTANT SAFETY INSTRUCTIONS**.

IMPORTANT SAFETY INSTRUCTIONS

To ensure the safe usage of this product, carefully read and understand these instructions before operating your game.

Save these instructions for future reference.

Use this product only as described in this manual. Other uses not recommended may cause fire, electric shock or personal injury. Unplug the game from the outlet when not in use, when moving from one location to another, and before cleaning/servicing.

Explanations which require special attention are indicated by signs of warning. Depending on the potential hazardous degree, the terms: **NOTE**, **NOTICE**, and **WARNING** are used.

NOTE: A NOTE indicates useful hints or information about product usage.

NOTICE: A NOTICE indicates potential damage to product and how to avoid the problem.

WARNING: A WARNING indicates a potential for product damage or serious personal injury.

It is important to understand the meaning of the following HAZARD SIGNS before continuing:

High Voltage and Shock Hazard:

High voltage can cause electric shock.
Turn off/unplug power before servicing.



High Temperature Hazard:

This part may cause scalding.
Do not touch. Surface may be hot.



No Touching Hazard:

This part may be hot or can cause electric shock.
Do not touch.



Use the following safety guidelines to help ensure your own personal safety and to help protect your equipment and surrounding environment from potential damage.

⚠️ This product is an indoor game machine. Do not install outdoors.

Avoid installing in the following places to prevent fire, electric shock, injury and/or machine malfunctioning:

- Places subject to rain/moisture, or places subject to high humidity.
- Places subject to direct sunlight, or places subject to extremely hot or cold temperatures to ensure that it is used within the specified operating range.
- Places where inflammable gas may be present or in the vicinity of highly inflammable/volatile chemicals or items that can easily catch fire.
- On unstable or sloped surfaces. The machine may topple or cause unforeseen accidents.
- Vicinity of fire exits, fire extinguishers etc that may block/prevent safety measures.



Power

- Each power cord must be connected to a separate power outlet. Do not plug into the same power strip or use the same power connection.

■ Before plugging in the cabinet, first make sure the voltage is 110V or 220V, or fires and electric shocks might occur.

■ When plugging in the cabinet, use an earthing socket.

■ Do not expose electrical cords and earthing wires on the hallway, or damage, electric shocks and short circuit might occur.

■ Do not place flammable items near electrical cords to avoid fires.

■ If electrical cords are damaged, replace new ones with your local distributor.

■ Do not use fuses and parts other than those designated by IGS.

■ To avoid electric shocks or short circuits:

- Before repair or maintenance, power must be turned off.
- Do not touch plugs with wet hands.
- Do not immediately unplug or plug in the cabinet.
- When unplugging the electric cord, tightly hold the plug and avoid pulling the electric cord.

IMPORTANT NOTE:

ALL REPAIRS MUST BE DONE TO ORIGINAL MANUFACTURER SPECIFICATIONS. FAILURE TO DO SO VOID ALL WARRANTIES AND OPERATOR ASSUMES ALL RISKS.

Note: The contents of this manual may be updated without notice.

1. SPECIFICATIONS

Rated power supply: AC110V~ 50/60Hz; AC220V-240V~ 50/60Hz

Min. Power consumption: 800W

Max. Power consumption: 2300W


Dimension: W104.56×D84.72×H93.78 in

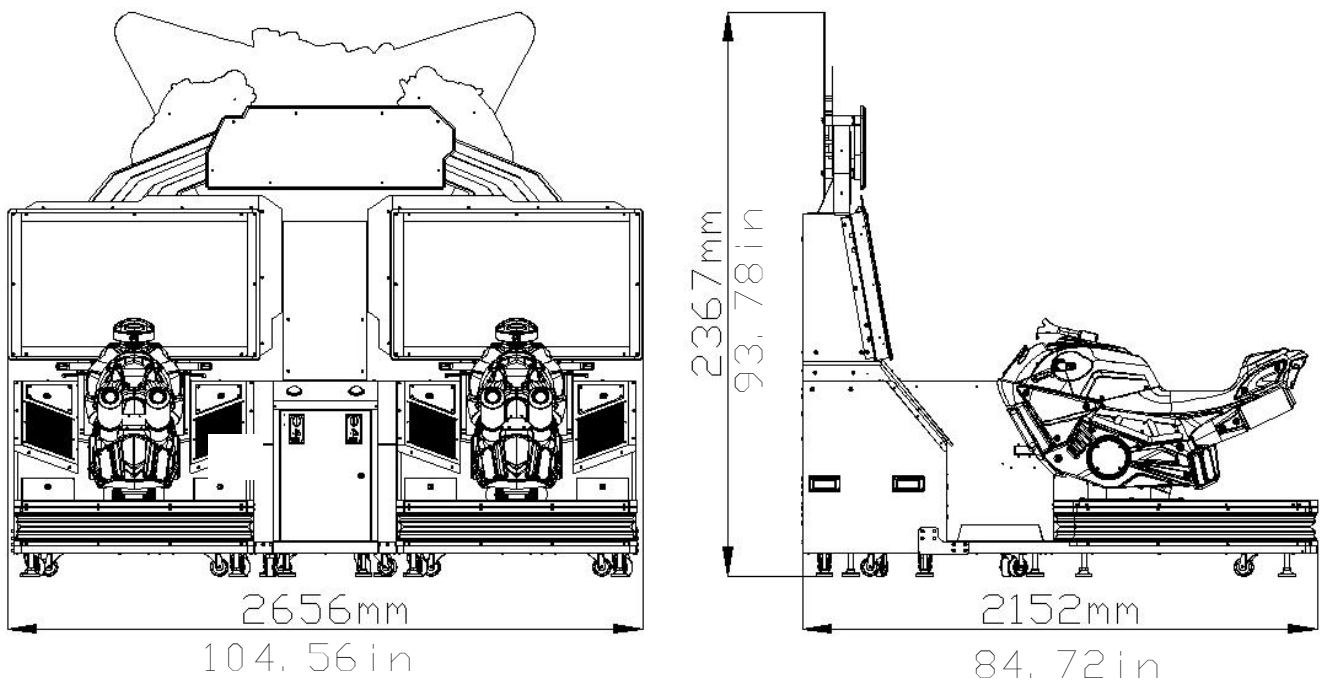
W2656 ×D2152 ×H2367 mm

Weight: Approximately 2204 lb/1000 kg

Part No: U110

Model No: V-017

 **NOTICE:** After turning off the game, please wait at least 1 minute before restarting again.

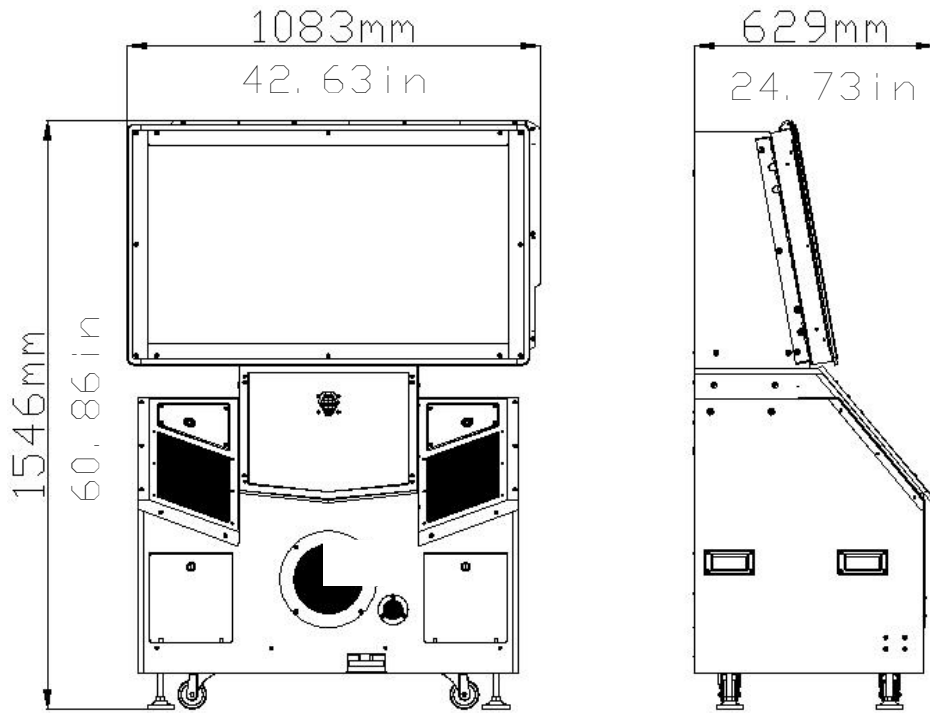


Note: Game specifications are subject to change without notice.

This machine will be divided into four parts during transportation.

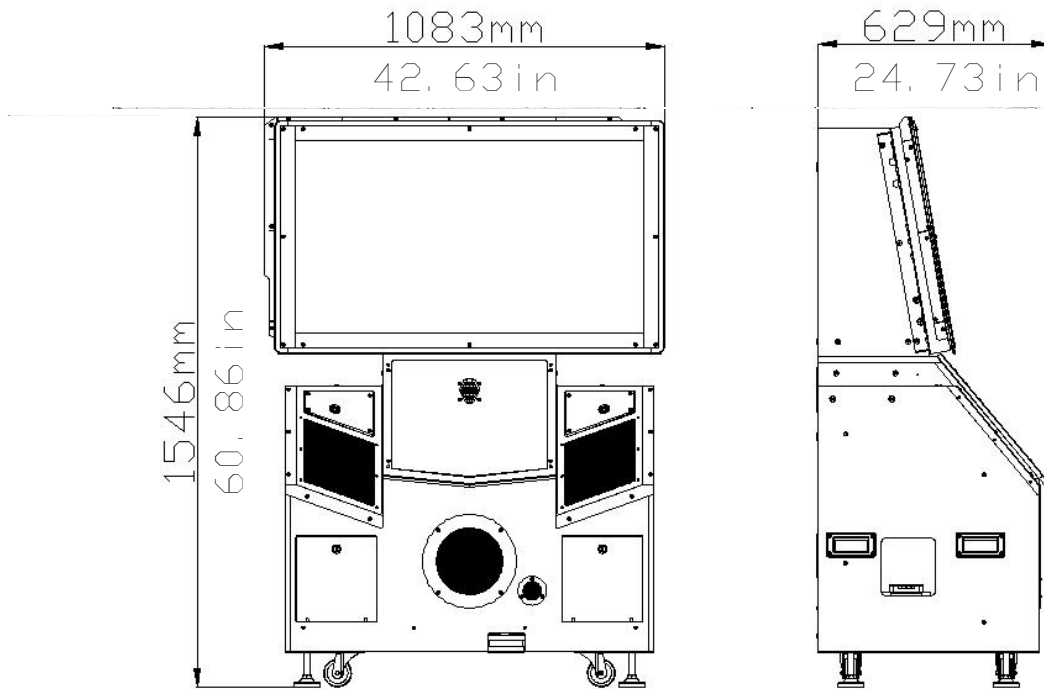
L Monitor Assembly: W42.63×D24.73×H60.86in

W1083 ×D629 ×H1546 mm



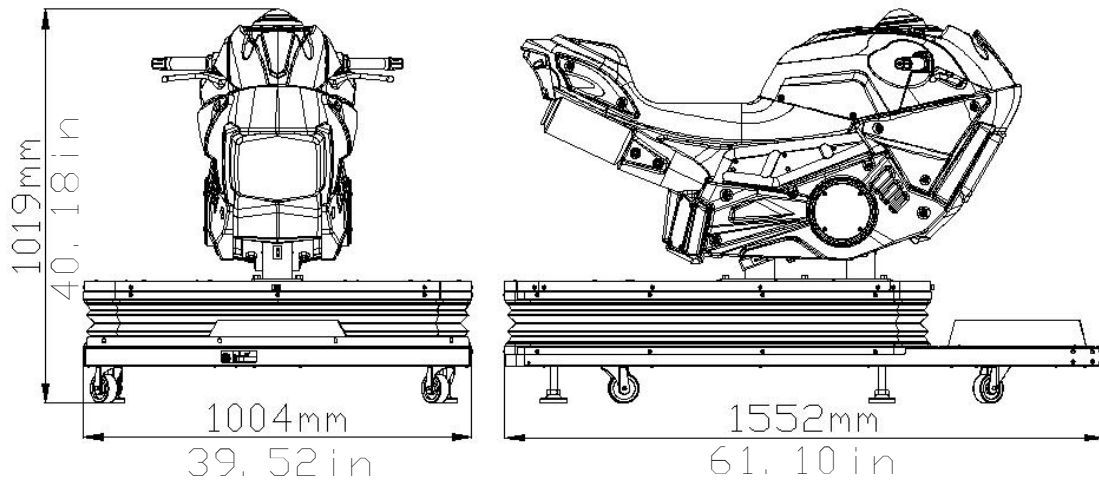
R Monitor Assembly: W42.63×D24.73×H60.86in

W1083 ×D629 ×H1546 mm



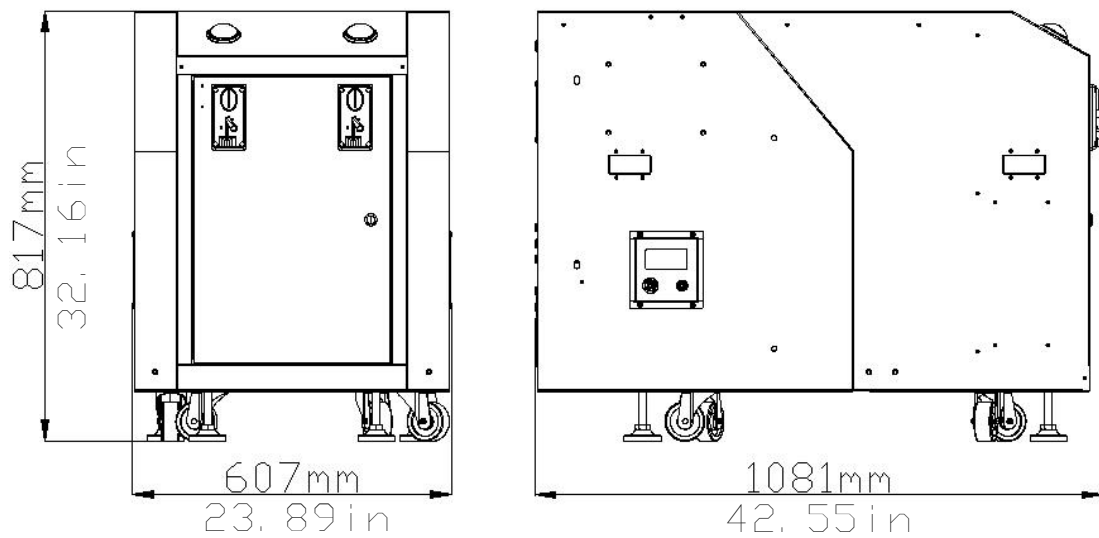
Moto Assembly: W39.52×D61.10×H40.18in

W1004 ×D1552 ×H1019mm



Middle Cabinet: W23.89×D42.55×H32.16 in

W607 ×D1081 ×H817mm








Note: Game specifications are subject to change without notice.

2. CONTENTS OF THE ACCESSORY KIT

Open the package and make sure all the items are included:

Following accessories

No.	Part No.	Code	Name	SPEC	Picture	Qty
1	U110-801-000	25300171002	Key	171		8
2	U110-802-000	25300172002	Key	171B		1
3	U110-803-000	41440000288B	Manual	GMP		1
4	U110-804-000	23301018023	Power cord	SJT 3x14AWG 1.8M (UL)		1
5	U110-805-000	21901000015	Fuse	Φ5×20mm T6.3A 250VAC		2
6	U110-806-000	21108000009	Router	D-LINK 8 port	/	1
7	U110-496-000	23302000014	Network cable	T568A-T568A L=2m	/	2

NOTE: Part models are subject to change without notice.

3. PART NAME

Key Components



4. SET UP & INSTALLATION

⚠ NOTICE

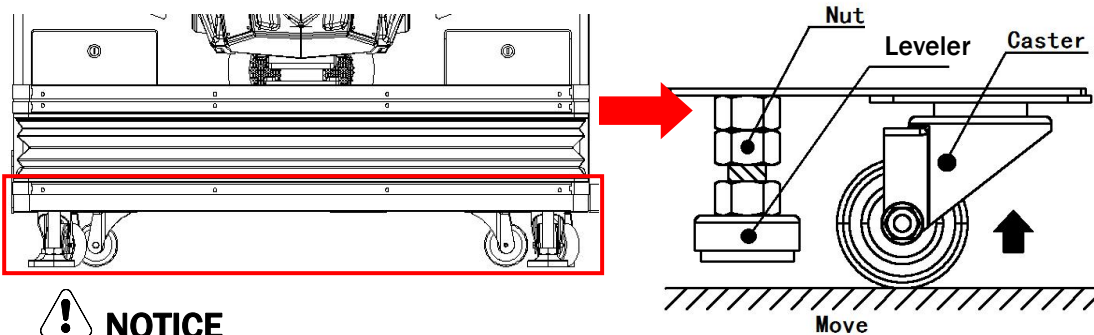
We do not recommend using power tools as they may cause damage.

⚠ **This product is an indoor game machine. Do not install outdoors.**

- Refer to IMPORTANT SAFETY INSTRUCTIONS (Pg. 3) for places to avoid.
- Place the unit on a dry level surface.
- Ventilation openings in the back of the unit must not be obstructed by objects or by wall.

4.1 Transporting the Game

If you need to move the game, adjust the levelers back to an “up” position.



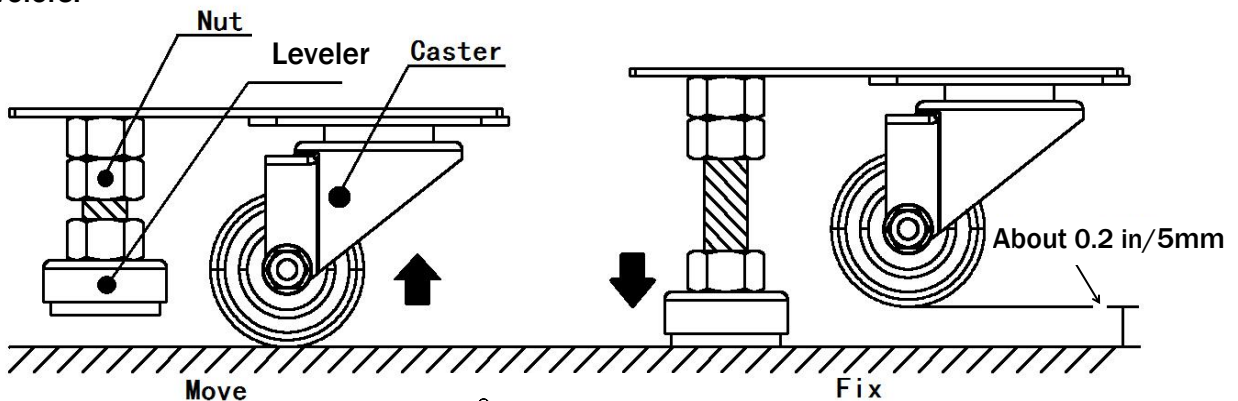
⚠ NOTICE

- Be careful not to damage the machine during transport.
- Always unplug the game before moving.
- Keep the machine in upright position during transport.
- For longer distance transport, package the game properly to prevent damages.

4.2 Level Adjustment

Install this game on a flat surface. If the game is installed on an unsuitable floor, it could cause game malfunction.

To secure the game, loosen the nut, utilize wrench to adjust the leveler down until it touches the floor, lifting the casters off the ground by 0.2 in/5mm. Repeat the same for all levelers.



⚠ NOTICE

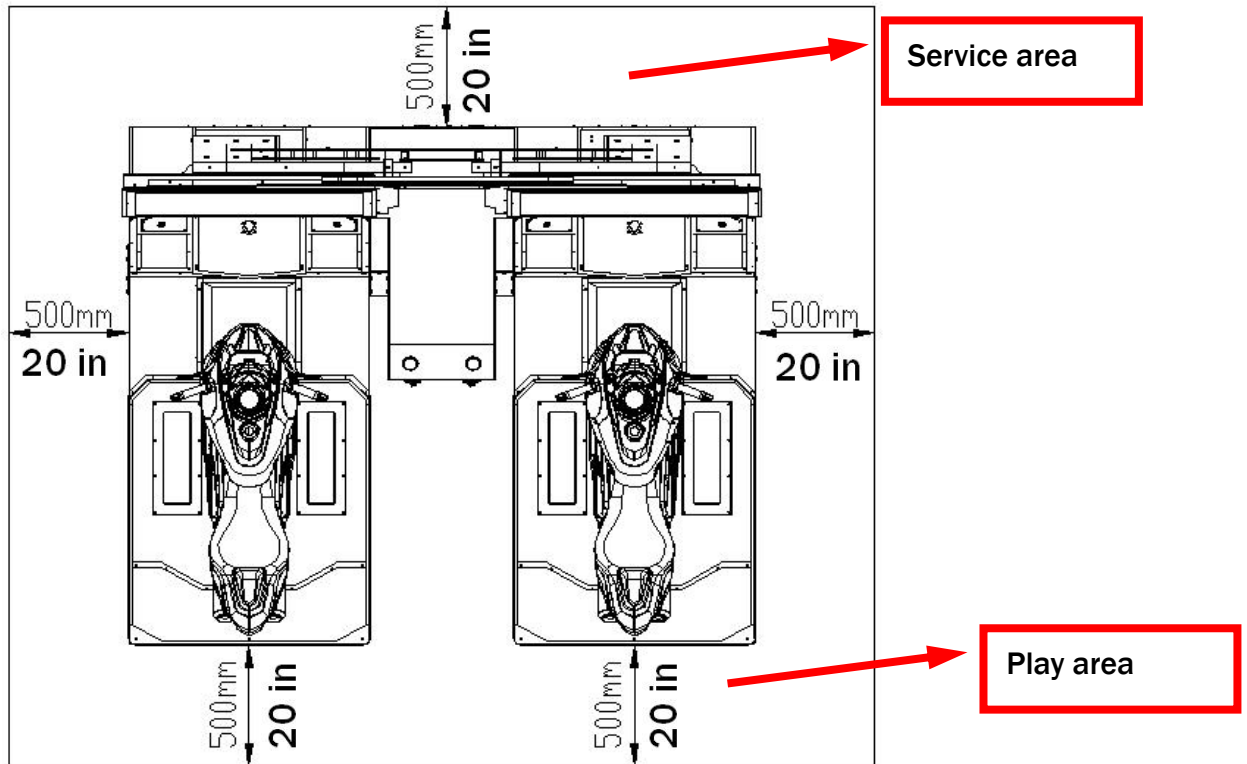
Make sure the machine is level.

4.3 Play Zone

This machine requires space for playing and for maintenance as shown below.

Leave space around the game upon installation:

Service area: 20 in/500mm






NOTICE

Your unit must be leveled to operate properly.

4.4 Machine Installation

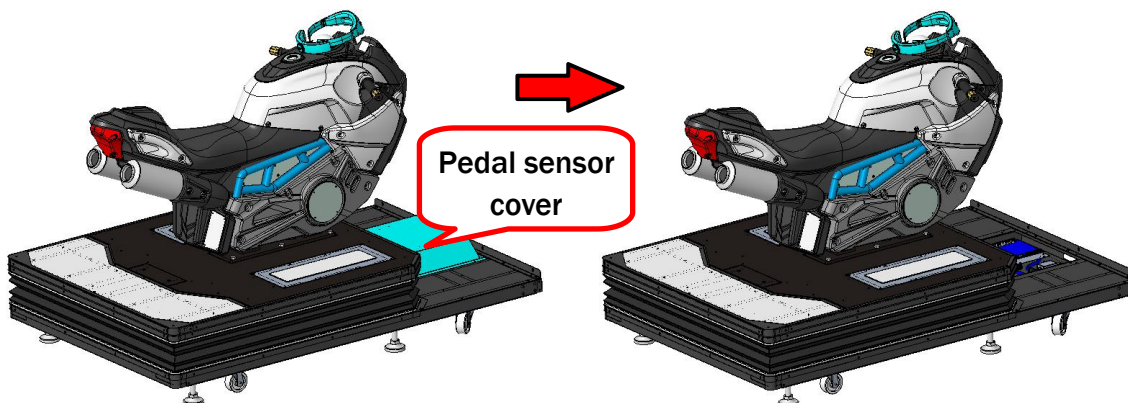
Before processing with assembly assure you have the following tools.

No.	Name	Picture
1	Phillips screwdriver	
2	Spanner	
3	Allen wrench	

Step 1 Remove Pedal sensor covers.



Utilize Phillips screwdriver to loosen the screws on the Pedal sensor cover, take Pedal sensor cover off and keep it.

Note: It is the same installation method on the other Moto assembly.



Step 2 Connect Moto assemblies with Main cabinet.

Kit list:

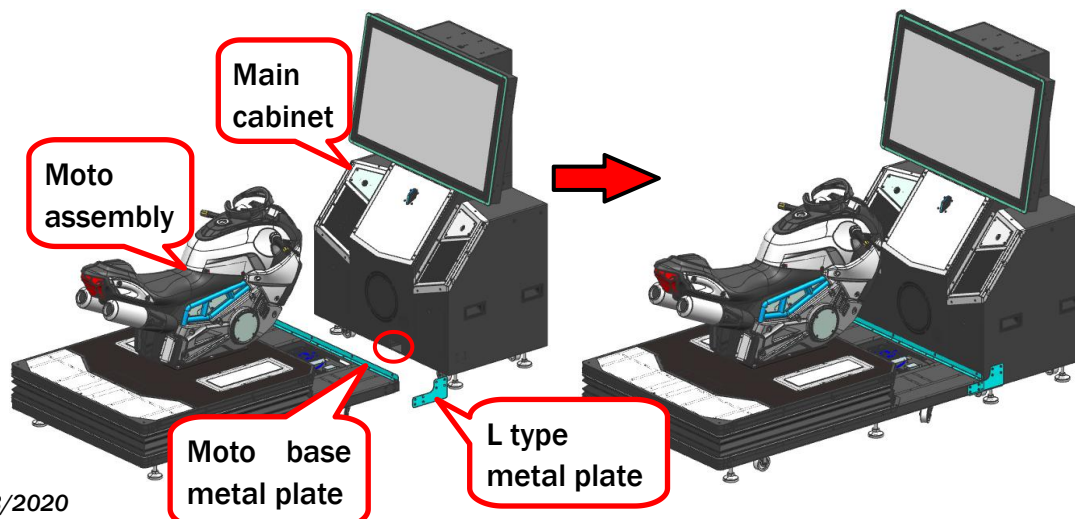
No.	Name/Spec.	Picture	Qty
1	Cross recessed hexagon screw set M6×20 black		8×2
2	Cross recessed hexagon screw set M8×20 black		16×2

Align Moto assembly with Main cabinet. Connect all cables. Route the blue tube to the back box through the hole indicated by circle.

Utilize Phillips screwdriver to tighten 4 screws (M6×20) to secure Moto base metal plate to Main cabinet.


Utilize Phillips screwdriver to tighten 8 screws (M8×20) to secure L type metal plate to Moto assembly and Main cabinet.

Note: It is the same installation method on both sides of Moto assemblies.



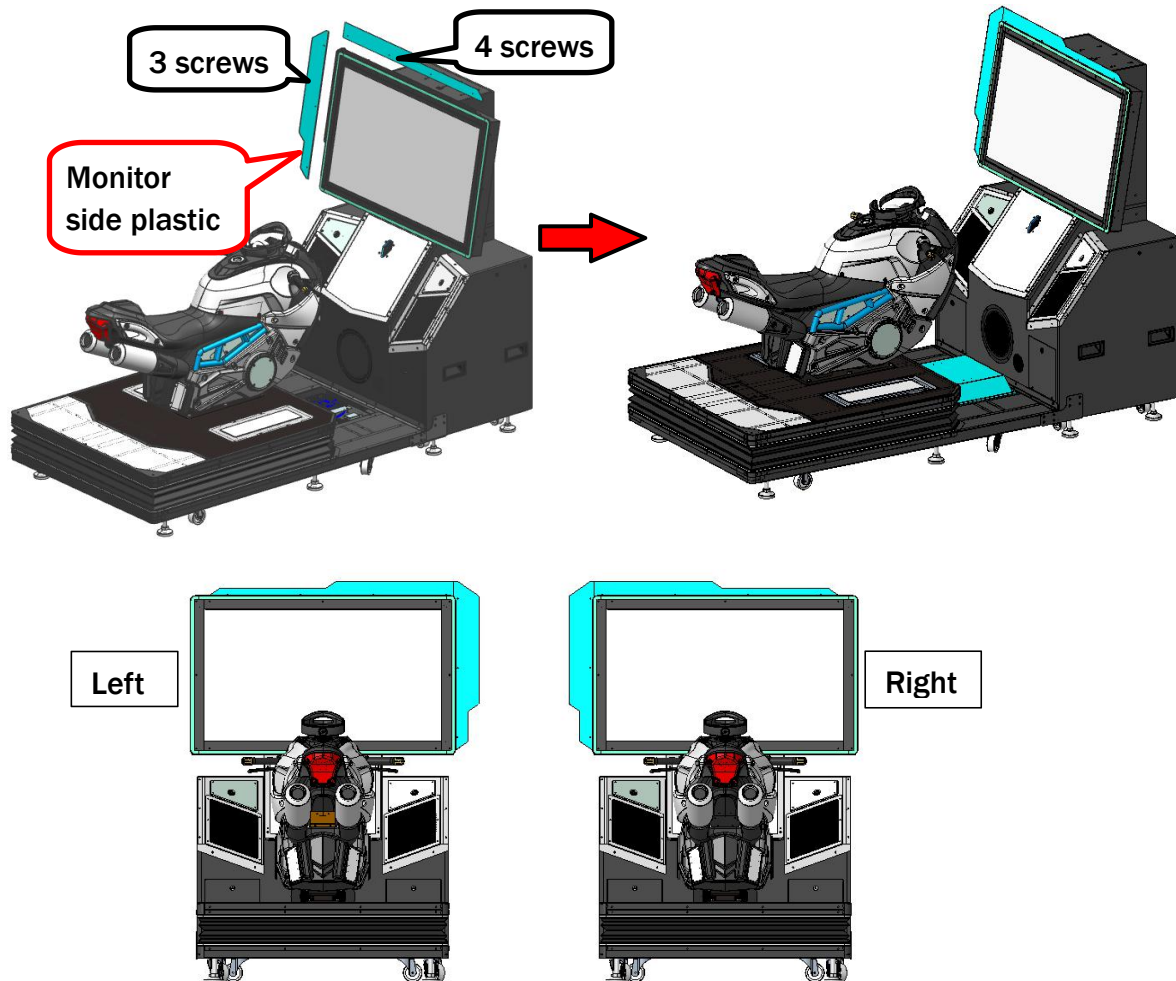
Step 3 Install Monitor side plastic and Pedal sensor covers.

Kit list:

No.	Name/Spec.	Picture	Qty
1	Hexagon flat round head screw M4×20 stainless steel		7×2


Utilize Allen wrench to tighten 7 screws (M4×20) to secure 2 Monitor side plastics to the right monitor. Install the Pedal sensor cover back.

Note: The installation position is different on the other Moto assembly.



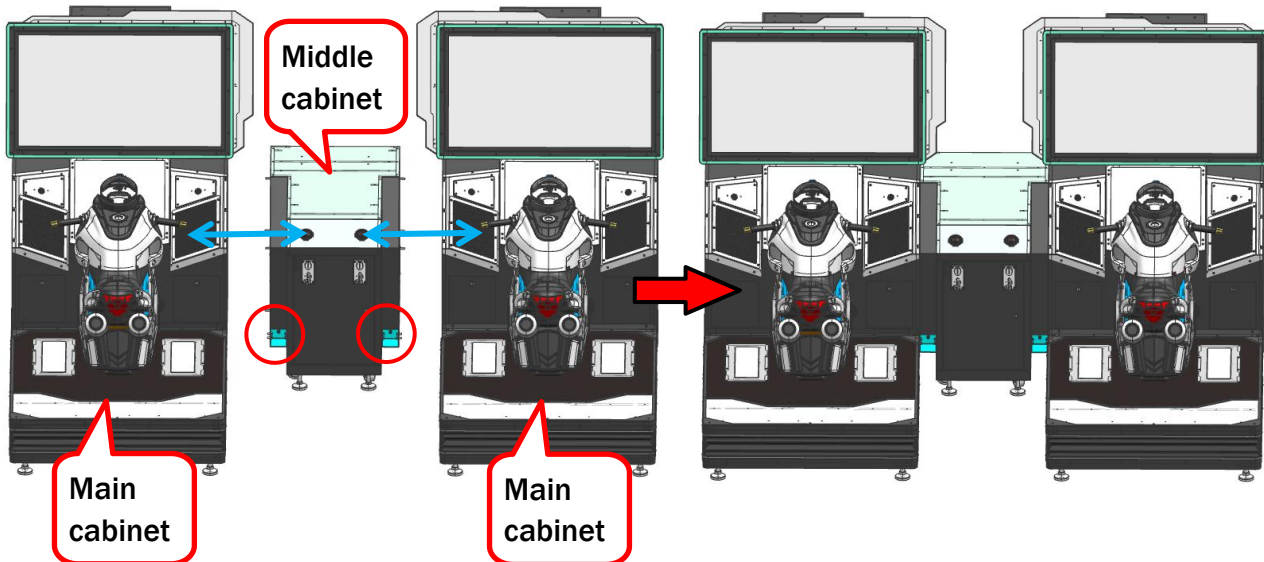
Step 4 Connect Main cabinets with Middle cabinet.

Kit list:

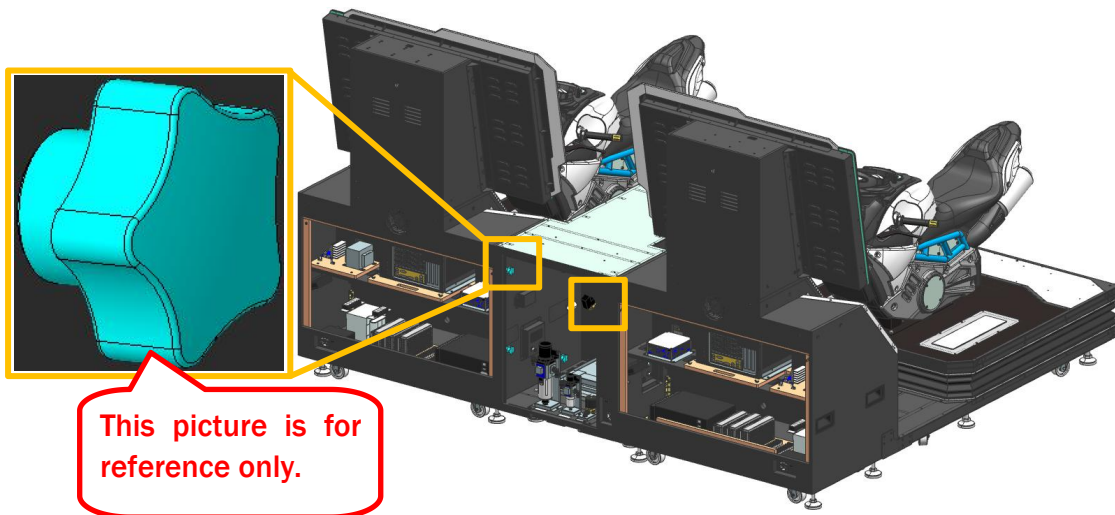
No.	Name/Spec.	Picture	Qty
1	Cross recessed hexagon screw set M8×20 black		4

Step 4-1 Utilize Phillips screwdriver to tighten 4 screws (M8×20) on the mounting metal plates indicated by circles to secure Main Cabinets to Middle Cabinet.

Note: Utilize Spanner to fix the screws more tightly.



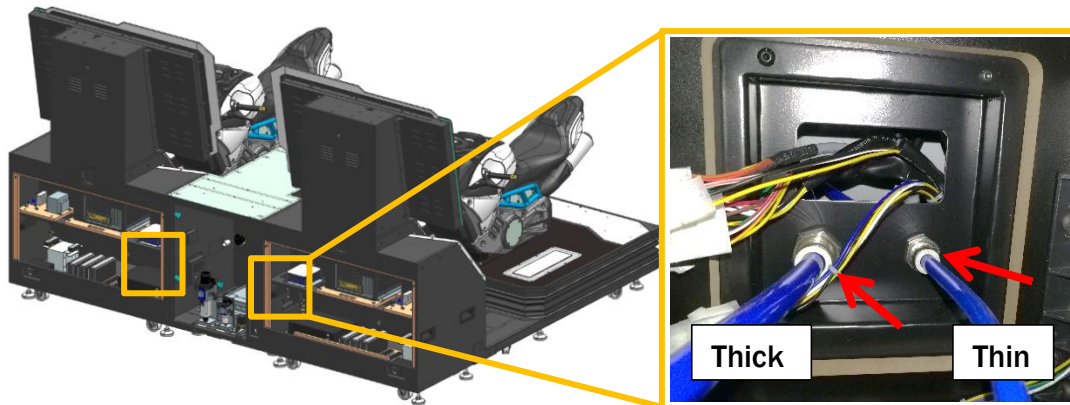
Step 4-2 Open the Middle cabinet back door and tighten 8 screws on the indicated positions.



Step 5 Connect blue tubes to valves.

Connect 4 blue tubes on both sides indicated tightly as shown below.

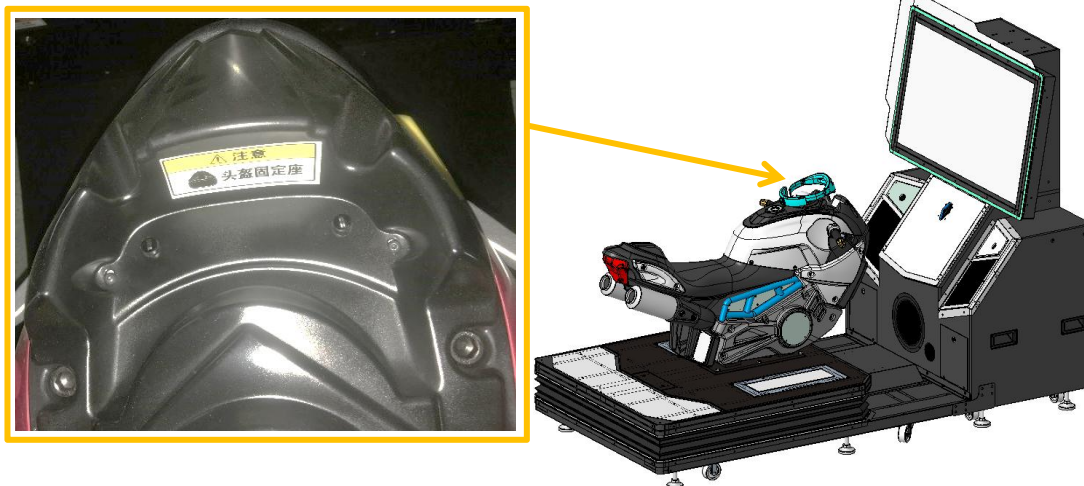
Note: The size of 2 valves is different. The outer valve is larger. Please insert the thick tube to the larger valve.



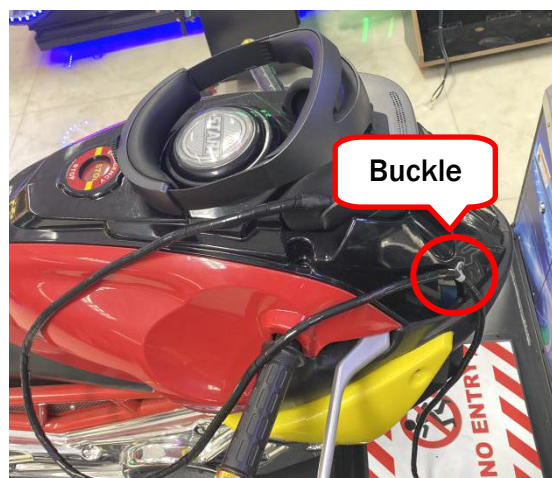
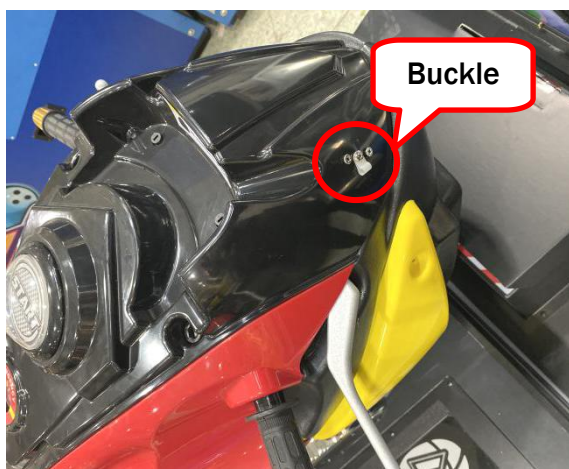
Step 6 Install VR headset.

Step 6-1 Place VR headset on the headset storage on the moto.

Note: It is the same method on the other Moto assembly.



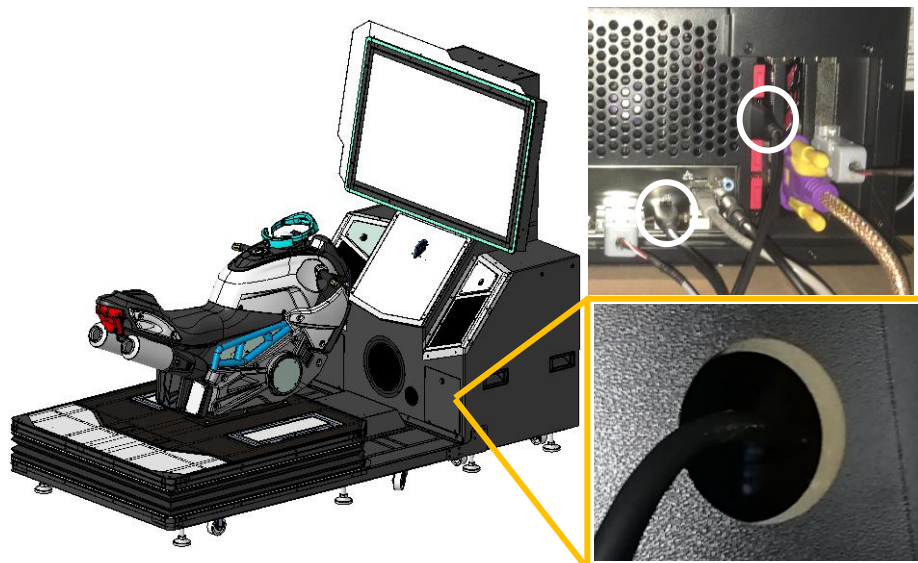
Step 6-2 Utilize Phillips screwdriver to loosen cable buckle on the moto right side. Route the headset cable through the cable buckle. Fix the cable buckles back.



Step 6-3 Open front door on the Main cabinet right side. Route the headset cable into the Main cabinet through the hole.



Locate the back box. Connect cables to the PC as shown below.

Note: It is the same installation method on the other Moto assembly.

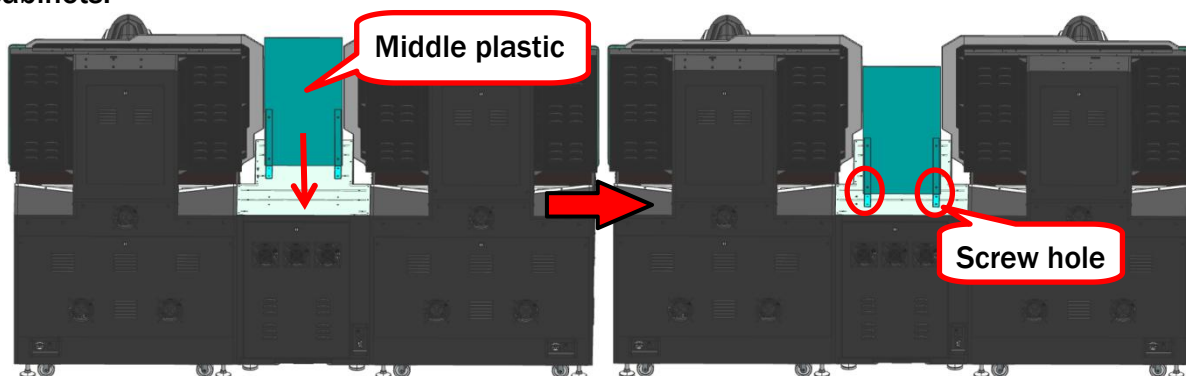


Step 7 Install Middle plastic and Router.

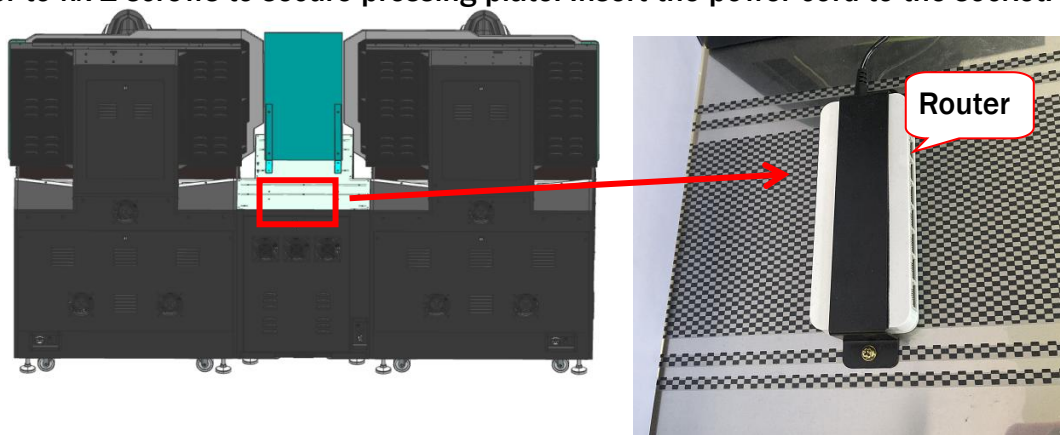
Kit list:

No.	Name/Spec.	Picture	Qty
1	Cross recessed hexagon screw set M4×12 black		2
2	Cross recessed hexagon screw set M4×10 black		2

Step 7-1 Utilize Phillips screwdriver to fix 2 screws to secure Middle plastic to Middle cabinets.





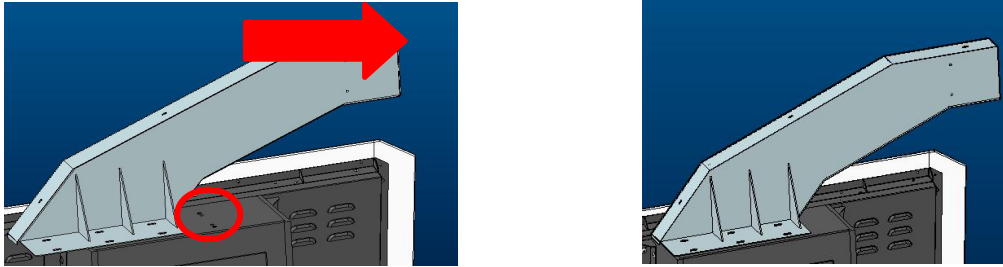
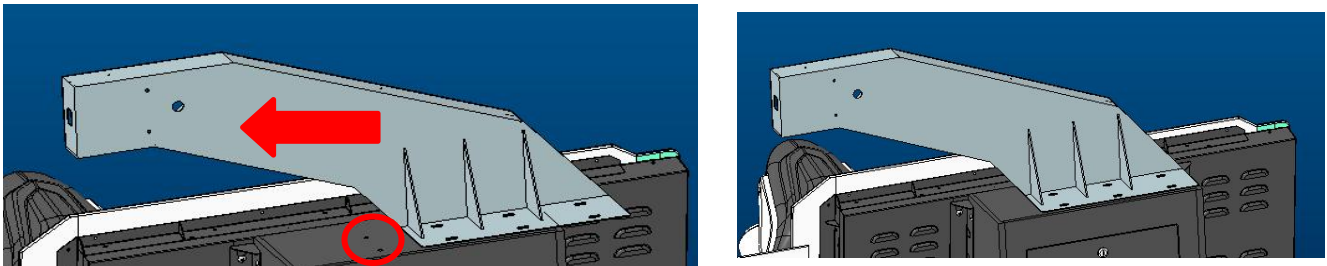
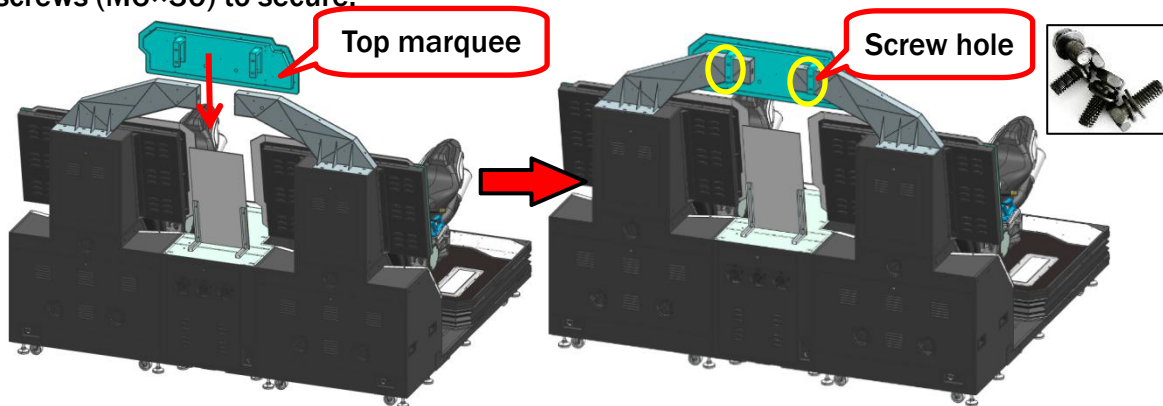
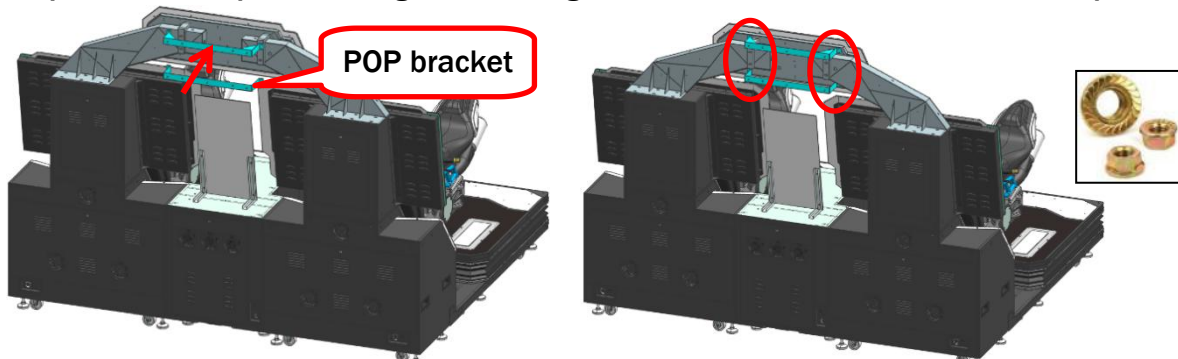
Step 7-2 Place Router and pressing plate on the back of the Middle plastic. Utilize Phillips screwdriver to fix 2 screws to secure pressing plate. Insert the power cord to the socket.



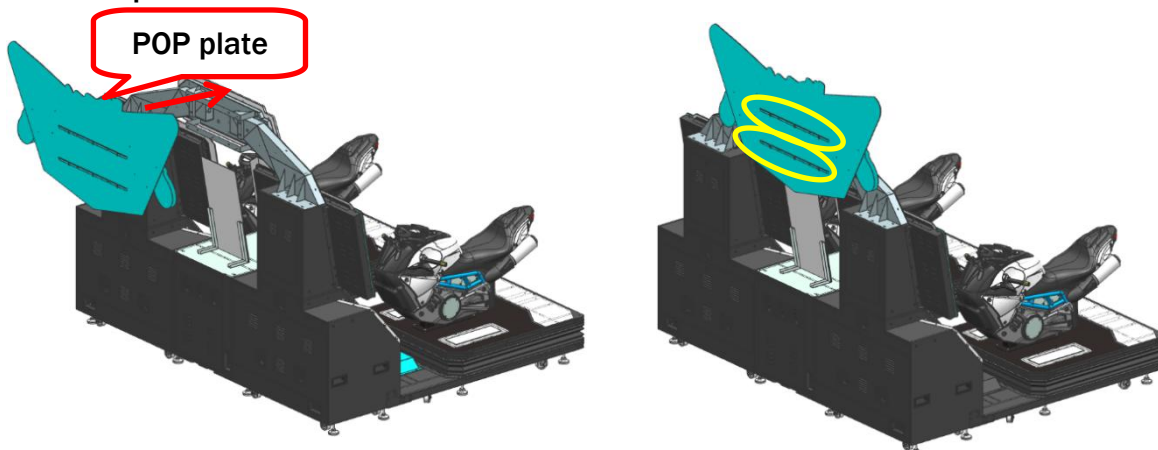
Step 8 Install Marquee assembly.

Kit list:

No.	Name/Spec.	Picture	Qty
1	Cross recessed hexagon screw set M6×30 black		4
2	Flange nut M4		14


Step 8-1 L Marquee: Marquee installation should be moved to the right.**Step 8-2 R Marquee:** Marquee installation should be moved to the left.**Step 8-3 Place Top marquee on the L&R marquee and utilize Phillips screwdriver to tighten 4 screws (M6×30) to secure.****Step 8-4 Utilize Spanner to tighten 8 Flange nuts to secure 2 POP brackets to Top marquee.**

Step 8-5 Place POP plate on the POP bracket. Utilize Spanner to tighten 6 flange nuts on the POP plate.



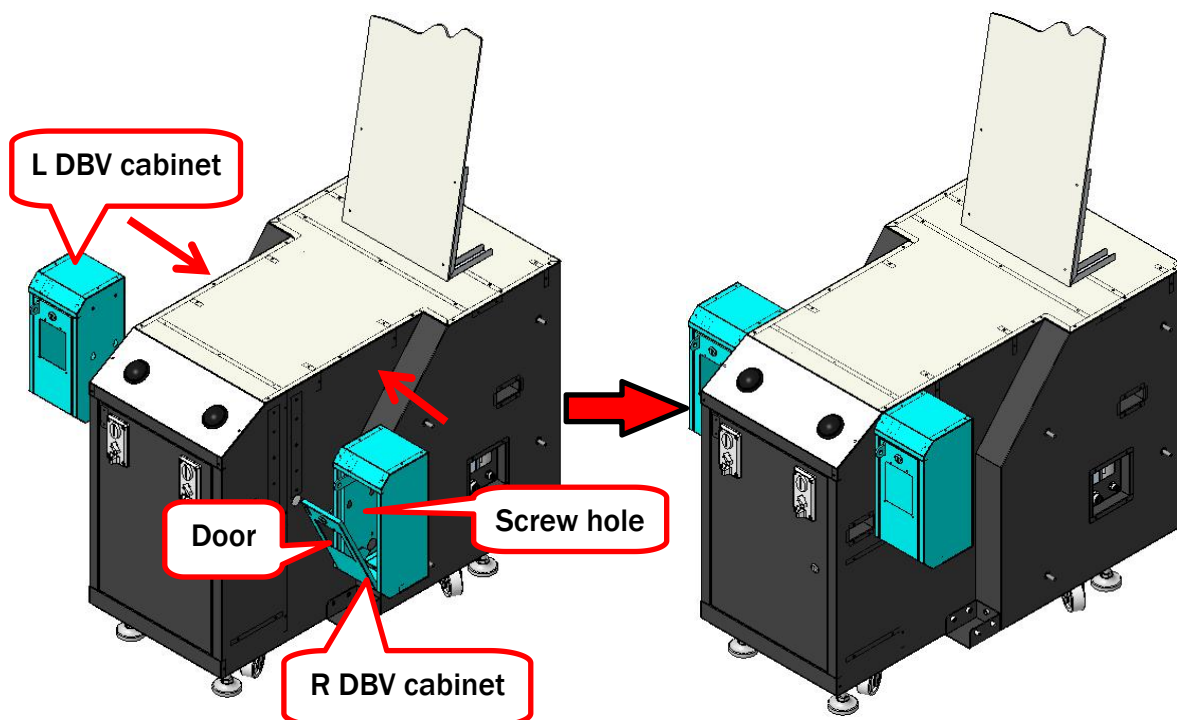
Step 9 Install DBV box to Middle cabinet (As customer's requirement).

Kit list:

No.	Name/Spec.	Picture	Qty
1	Cross recessed hexagon screw set M6×10 black		12

Step 9-1 Utilize key to open L DBV door. Utilize Phillips screwdriver to tighten 6 screws to secure L DBV box to Middle cabinet. Lock the L DBV door.

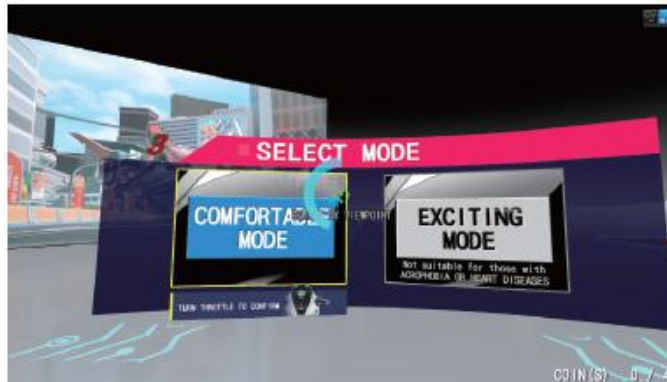
Note: It is the same installation method on the other DBV box.



Finish!

5. HOW TO PLAY

5.1 Insert coins to play. Put the headset on. Turn the headset and move to the desired option.



5.2 Hold the throttle to begin. Lean to the left or right to make the moto turn.

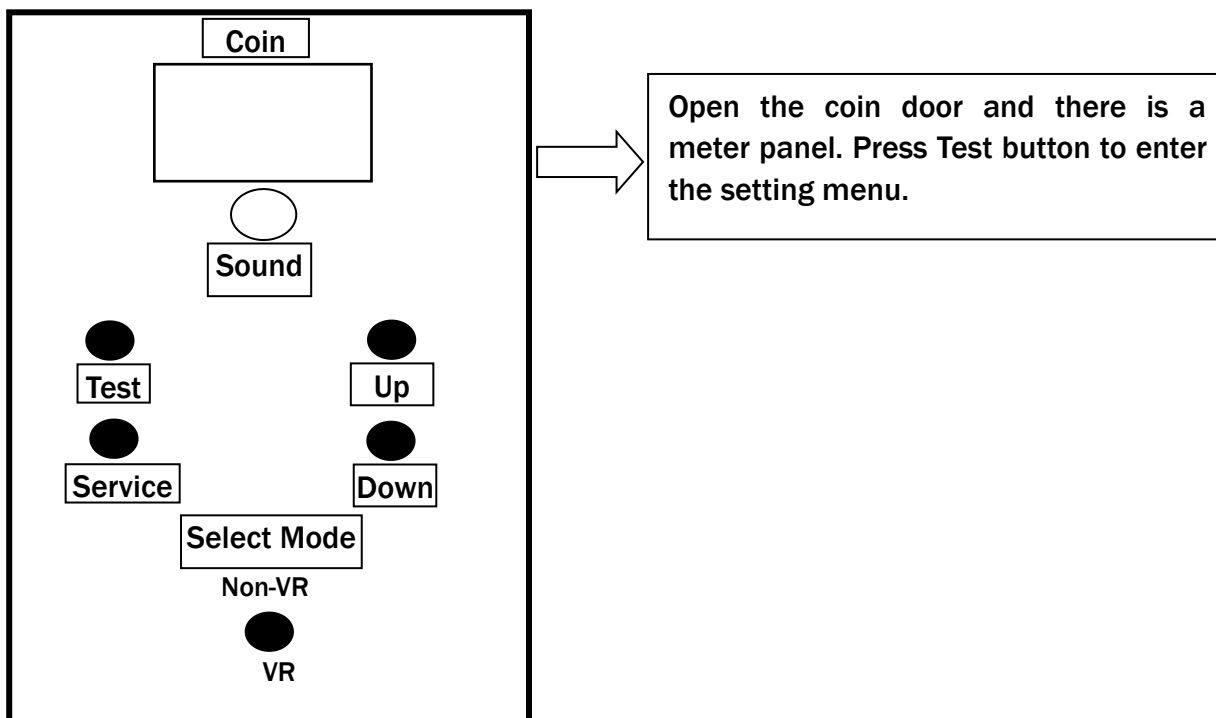


5.3 When going through a bend, use the Left Brake to drift.



6. GAME OPTION

6.1 Adjustment button instruction



6.2 Setting menu

6.2.1 Main menu

Hardware Test
System Settings
Game Settings
Income Data
System Reset
Version Settings
Exit

6.2.2 Hardware Test

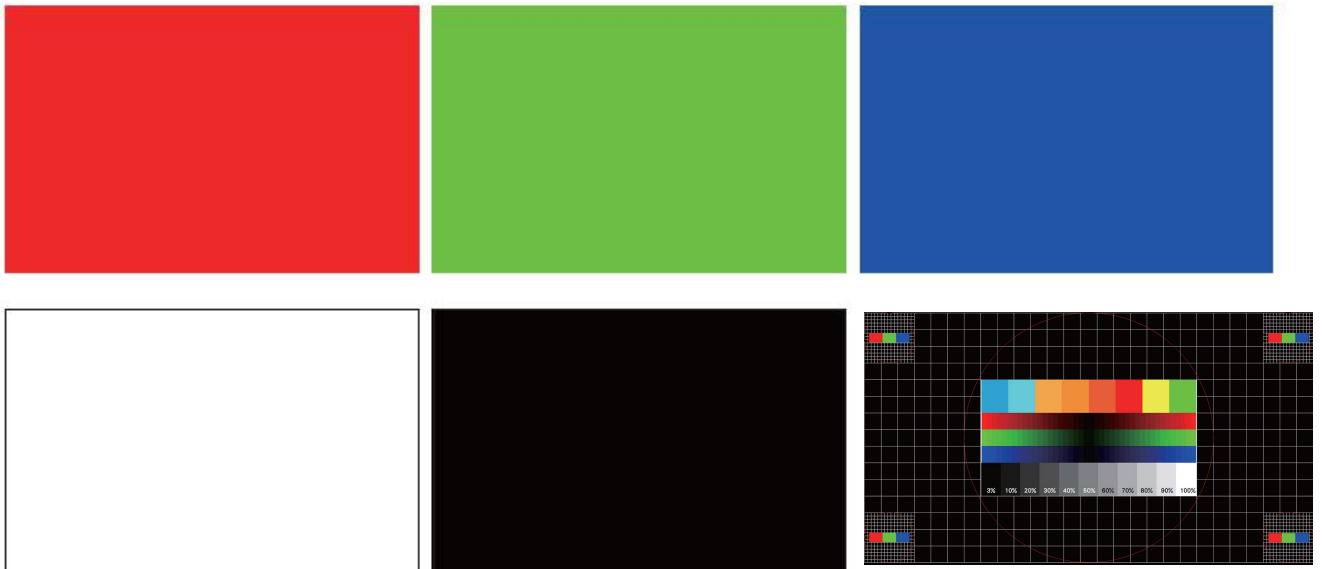
I/O Test
Screen Test
Sound Test
Lamp Test
Connection Test
Counter Test
Vibration Test

Fan Speed Test
Air Spring Test
Drain Speed Test
Jets Test
Mandrel Test
Exit

6.2.3 I/O Test

I/O Test	
Coin 0	
VR Version/Arcade Version	
Test Service	
Coin Box Up Coin Box Down	
Calibrate View Button	
Emergency Stop Button	
Start	
Left Headset Sensor	Left Headset Sensor
Left Foot panel	Seat Right Foot panel
Throttle 0.000	Left Brake 0.000
Tilt Axis 0.000	Right Foot panel 0.000
Use left brake+Start back	

6.2.4 Screen Test



6.2.5 Sound Test

Left Speaker
Right Speaker
Bass
Back

6.2.6 Lamp Test

Auto Test
Screen Side Light
Acrylic Light
Calibrate View Button
Start
Emergency

Moto Side Light
Brake Light
Tail Light
Foot Panel Light
Upper Platform Lights
Lower Platform Lights
Back

6.2.7 Connection Test

1P	Connected/Connection Failed
2P	Connected/Connection Failed
3P	Connected/Connection Failed
4P	Connected/Connection Failed
Internet	Connected/Connection Failed
Server	Connected/Connection Failed
Back	

6.2.8 Counter Test

Coin Test	Insert 0 Coin
Back	

6.2.9 Vibration Test

Vibration Test	Testing.....
Back	

6.2.10 Fan Speed Test

Fan Speed Test	Testing.....
Back	

6.2.11 Air Spring Test

Auto Test
FL Up Test
FL Down Test
FR Up Test
FR Down Test
All Up Test
All Down Test
Back

6.2.12 Drain Value Test

Drain Value Test	Testing...
Back	

6.2.13 Jets Test

Jets Left Test	Testing...
Jets Right Test	Testing...
Back	

6.2.14 Electric Jack Test

Electric Jack Test	...Discharge Air spring
Back	

6.2.15 System Settings

Time Setting
Connection Settings
Country Settings
Store Settings
Password Setting
Fan Mode Setting
I/O Adjustment
Foot Panel Adjustment
Pressure Sensor Settings
Height Sensor Modify Setting

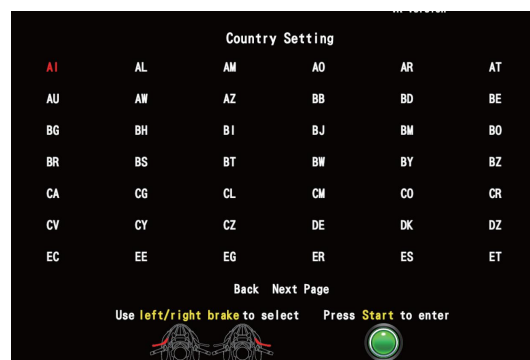
6.2.16 Time Settings

Date
Time
Timezone
Back

6.2.17 Connection Settings

Group Number
ID
Connection Status
Back

6.2.18 Country Setting



6.2.19 Store Settings



6.2.20 VR Headset Environment Calibration (VR Only)

Turn the headset to the Left and Right until the calibration is complete.



After the calibration is complete, the option to [Reboot] will appear. This setting will only take effect after restarting the machine. If [Re-Calibration] is selected, the calibration process will be repeated

VR Headset Environment Calibration
Yes. Reboot
No. Re-calibrate

6.2.21 Game Settings

Charge Mode Setting
Sound Setting
Difficulty Setting
Number Of Laps
Multiplayer Setting
Flow Time Setting

Game Display Setting
Tutorial Setting
Headset Tutorial Setting
Per Load Scene Setting
Warning tips Setting
Back

6.2.22 Income Data

VR Daily Income
Non-VR Daily Income
VR Monthly Income
Non-VR Monthly Income
Total Income
Back

6.2.23 Reset System

Reset Income Data
Restore Default Setting
Ranking Board Reset
Update Progress
Back

6.2.24 Version Settings

Version Switch Method	External Switch/System Switch
Switch Version	VR Version/Non-VR Version
Back	

7. TROUBLESHOOTING

7.1 Common Problem

Please confirm that all connectors fit tightly.

Symptom	Possible Cause	Recommended action
Game will not start	Frame assembly connector is loose.	Check connector.
	Frame assembly fault	Contact with UNIS Service.
Power off	Circuit protector make power SW in off state.	Turn on power SW again. If appeared again and again, machine has anomaly. Please contact with UNIS Service.
No ticket dispensing	Out of ticket.	Add ticket and press reset button
	Ticket jamming.	Remove the jammed tickets and press reset button.
	The connector is loose.	Plug the connector tightly.
No sound	Low volume	Raise the volume.
	Connector loose.	Check connector.
	Speaker fault.	Check speaker.
	POT installation error.	Install POT correctly.
	POT fault.	Change POT.
	Audio cable problem.	Reconnect the audio cable or change it.
	PC crash.	Restart or system recovery.
	Driver problem	Restart the audio driver.
Display black screen	Check connectors.	Plug in connector tightly
	Display fault.	Utilize another source such as a PC to verify if the display is operational.
	RAM is loose.	Remove and reinsert RAM.
Display blue screen	PC power cord is loose	Check PC power cord whether is loose.
	VGA signal cable is loose.	Check VGA cable
	PC video card is loose.	Reseat video card.
	“0X000000A” code appears. Conflict between computer drive and software.	Contact service
The gas, brakes or the tilt axis function not work.	The gas, brakes or the tilt axis function fault.	Enter [Main Menu] > [Hardware Test] > [I/O Test] to run the testing. If the testing does not respond, contact your local distributor to replace the corresponding VR.
Blank screen on VR headset	VR headset cable is loose.	Reconnect the headset cable or change it.

Note: After replacing component from pc (except for RAM), and replacing monitor, the game should be recovered again with the recovery stick attached to the machine.

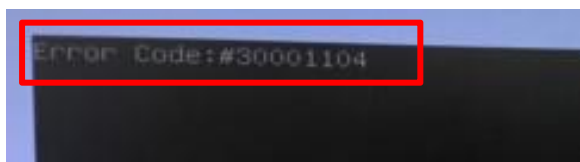
7.2 Troubleshooting

Troubleshooting	Possible Cause	Influence	Recommended action
AC IS OFF	Air compressor power supply is off	<ol style="list-style-type: none"> 1. Motion platform will not move 2. Motion platform calibration fail. 3. Motion platform activate fail. 	<ol style="list-style-type: none"> 1. Check and reconnect the loose cable on the middle cabinet 2. If no jet sound is heard when power on the machine, change the air compressor power supply.
MOTION PLATFORM OFF	Motion off	Motion platform will not move	Press STOP button to open motion.
ADJUSTMENT ERROR	<ol style="list-style-type: none"> 1. Air compressor power supply is off 2. STOP button is on 3. The air pressure of the Air compressor is not 0.25MPa 4. Air compressor cable faulty 	Motion platform will not move or move faulty	<ol style="list-style-type: none"> 1. Press Test to enter the Main menu. Select [System Settings] → [VR Headset Environment Setting](Refer to 8.14.3) 2. Check whether solenoid valve is faulty. 3. Check whether Height sensor is faulty.
PLATFORM ERROR	<ol style="list-style-type: none"> 1. Air compressor power supply is off 2. STOP button is on 3. The air pressure of the Air compressor is not 0.25MPa 4. Air compressor cable faulty 	Motion platform will not move	Check whether Height sensor is faulty.
I/O1 ERROR	Cannot identify I/O 1 board signal	Gas, brake, leaning, speaker and lighting, seating security sensor, headset storage detection, platform lighting and air compressor SW signal will not work.	<ol style="list-style-type: none"> 1. Check whether I/O 1 board is faulty. 2. Check whether fuse board is faulty.
I/O2 ERROR	Cannot identify I/O 2 board signal	Motion platform, STOP button, pedal sensor, pedal light and jack mechanism will not work.	<ol style="list-style-type: none"> 1. Check whether I/O 1 board is faulty. 2. Check whether fuse board is faulty.

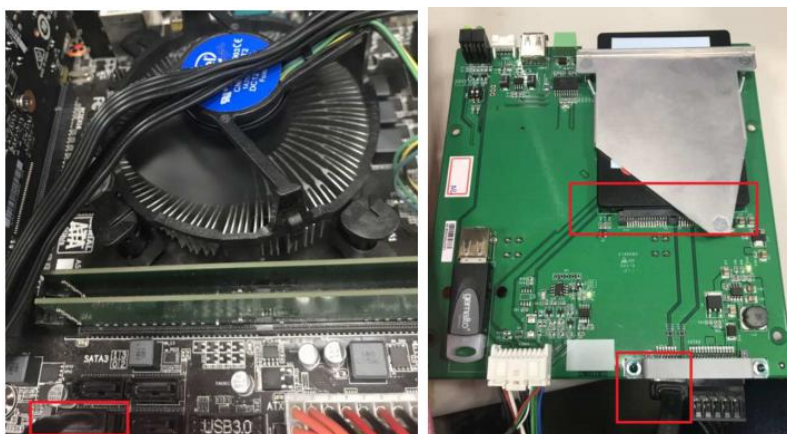
Troubleshooting	Possible Cause	Influence	Recommended action
I/O2-1 ERROR	Cannot identify I/O 2-1 board signal	Coin mechanism, monitor lighting, air compressor and fan will faulty.	1.Check whether I/O 2-1 board is faulty. 2.Check whether fuse board is faulty.
ID CONFLICT	2 machines ID number are the same	Fail to play matching game.	Press Test to enter the Main menu. Select [System Settings] → [Connection Settings](Refer to 8.13)
VR DETECTION ERROR	1.Fail to find headset signal. 2.Headset connection wrong.	1.Fail to play VR version game. 2.No image in headset	1.Reconnect the VR cables and restart the machine. 2.Change the headset
ELECTRIC JACK ERROR	1.Jack position wrong. 2.Jack mechanism is faulty.	1.Motion platform will not move 2.Motion platform calibration fail.	1.Press Test to enter the Main menu. Select [System Settings]→[Electric Jack Settings] 2.Check whether Jack mechanism is on the right position.

7.3 Error Code and Solution

7.3.1 Error Code: BIOS error Code: #30001104



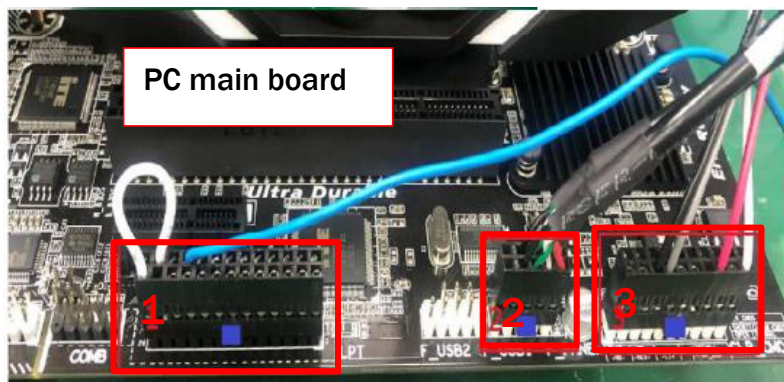
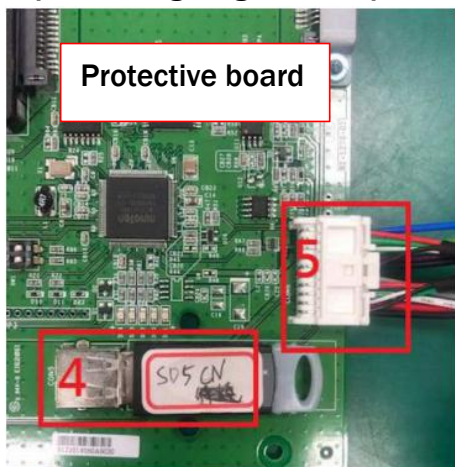
Please check whether the PC main board cable is loose or in wrong position. Check whether the protective board is loose or in wrong position.



7.3.2 Error Code: HT 01, KL 01

Step 1 Please check whether the Dongle is loose or Dongle light is on.

Step 2 If Dongle light is off, please check whether Cable 2, 4, 5 is loose.

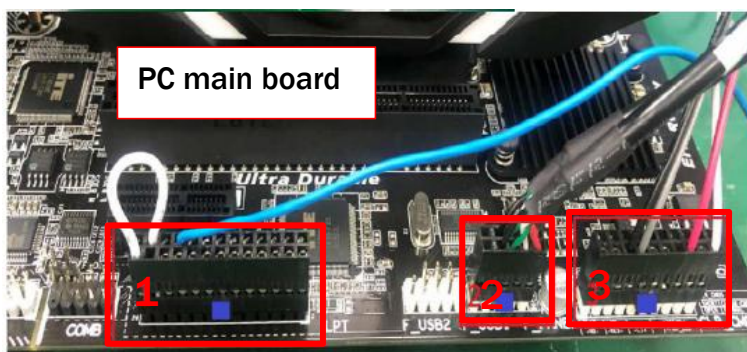
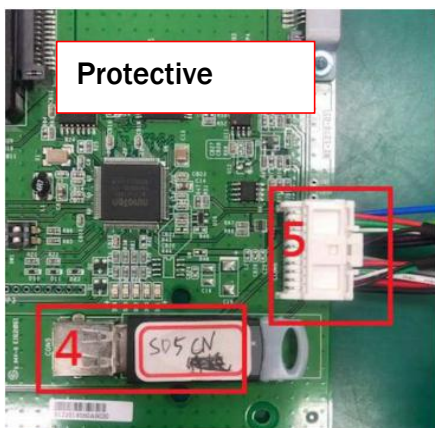


7.3.3 Error Code: HT 02

Please check whether the monitor resolution matches the game specification.

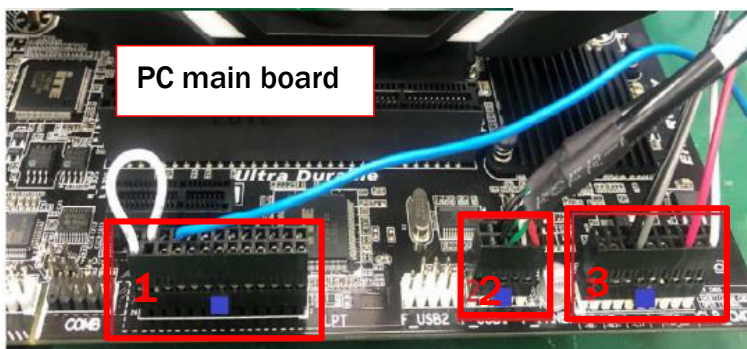
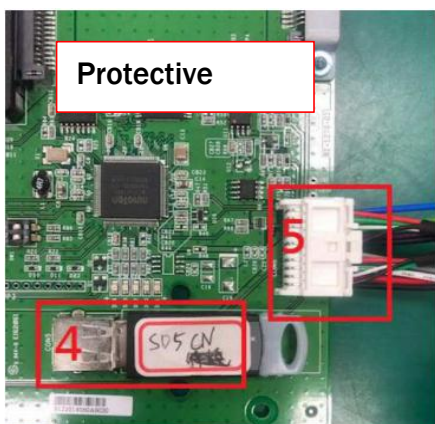
7.3.4 Error Code: KL 02, KL 04

Please check whether Cable 2, 5 is loose or wrong.



7.3.5 Error Code: Error001

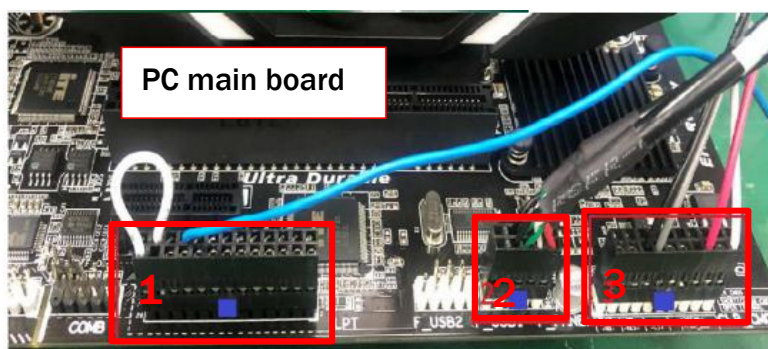
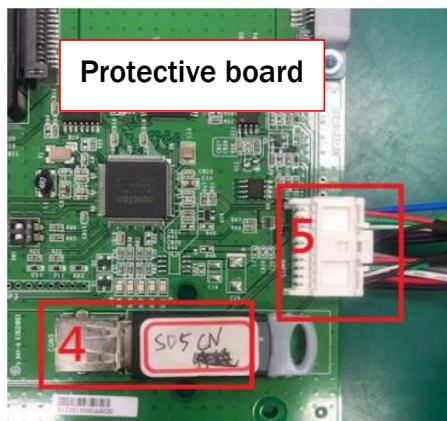
Please check whether Cable 2, 5 is loose or wrong.



7.3.6 Error Code: Error002

Step 1 Please check the Dongle.

Step 2 Please check whether Cable 2, 4, 5 is loose or wrong.

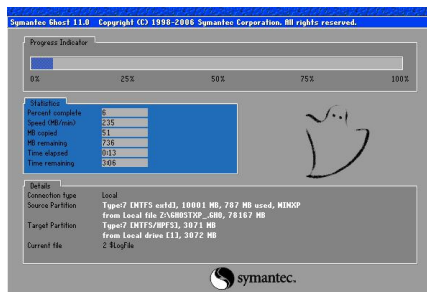


7.4 Game Version

Game Version	Update Content	Note
M103CN	Supports RTX 2060 super video card.	1.Unable to update online. 2.2060S adapter can not be supported before this version.
M104CN	1.Hide the WMR calibration window. 2.Update Jack mechanism function. 3.Store name can call "UNIS". 4.Fixed helmet detection fail problem.	Store name can not call "UNIS" before this version.
M105CN	Fixed headset black screen problem.	
M103FA	Supports RTX 2060 super video card.	
M104FA	Supports RTX 2060 super video card.	1.Unable to update online. 2.2060S adapter can not be supported before this version.
M105FA	Hide the WMR calibration window.	
M106FA	Update Jack mechanism unction.	
M107FA	1.Store name can call "UNIS". 2.Fixed helmet detection fail problem.	Store name can not call "UNIS" before this version.
M108FA	Fixed headset black screen problem.	

7.5 System Recovery Operation (NOTE: Do not disconnect power during this process.)

1. Turn off the game. Remove the recovery stick from the machine. (Note: This process may take up to 60 minutes) Insert the recovery stick into the port at the back of the computer.
2. Restart PC to enter the system recovery screen as shown.




3. The game will automatically start recovery.
4. Once system recovery is partially finished (as shown below), and the ICON appears, remove the recovery stick from the computer. The game will continue the install process.

OK to remove the recovery stick.



5. Assure that the recovery stick has been properly secured for future use.

 **WARNING:** The recovery stick should only be used to fix software errors. Using it for other purposes may cause unexpected results and damages.

8. MAINTENANCE & INSPECTION

8.1 Safety Check

Check the points listed before operating the machine. These checks are necessary for safe machine operation:

1. Test game before operation each day.
2. Conduct monthly routine checks of game components to ensure good working condition.
3. Check the machine regularly for dust and clean when necessary.

Note: Parts and components require preventative maintenance to maintain proper operation.

8.2 Handling Precautions

When installing or inspecting the machine, be very careful and pay attention to ensure that the player can enjoy the game safely.

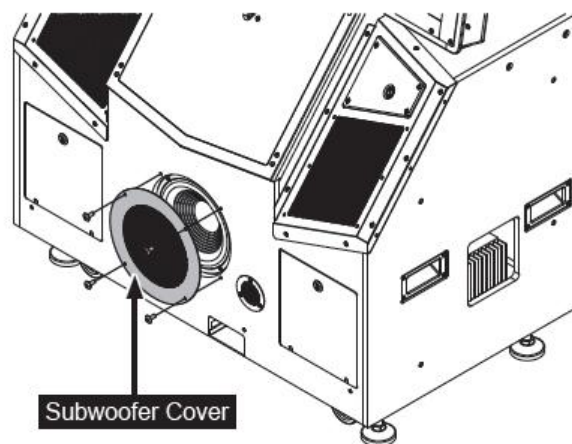
Inappropriate handling running counter to the cautionary matters can cause personal injury or damage to the machine.

NOTICE

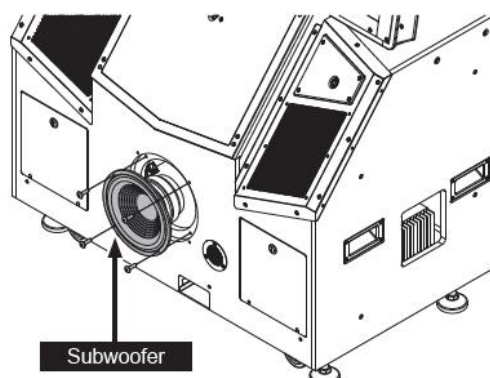
We do not recommend using power tools as they may cause damage.

8.3 Subwoofer Replacement Instruction

Step 1 Utilize Phillips screwdriver to loosen the Subwoofer cover screws to remove Subwoofer cover.

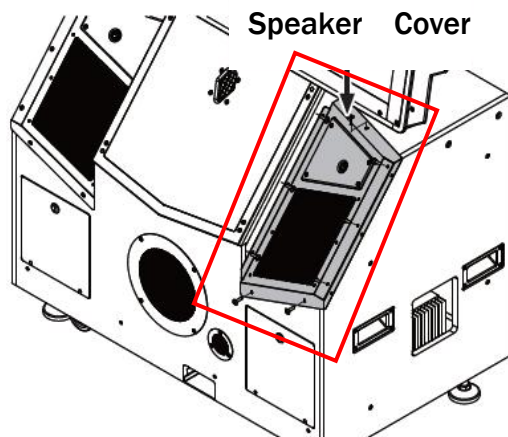


Step 2 Utilize Phillips screwdriver to loosen the Subwoofer screws to remove Subwoofer. Replace with new Subwoofer and install it in reverse order.

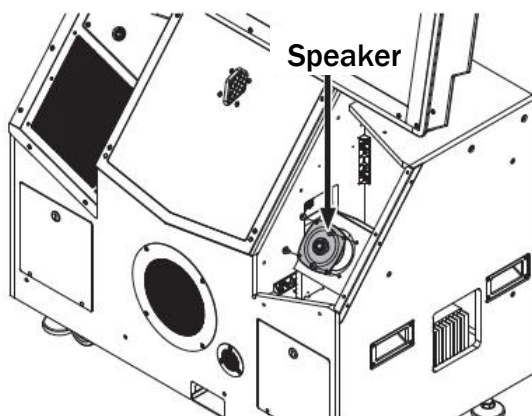


8.4 Speaker Replacement Instruction

Step 1 Utilize Phillips screwdriver to loosen the Speaker cover screws to remover Speaker cover.

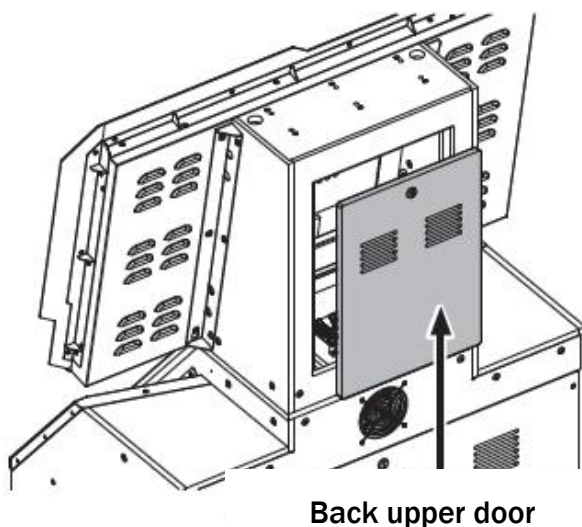


Step 2 Utilize Phillips screwdriver to loosen the Speaker screws to remover Speaker. Replace with new Speaker and install it in reverse order.

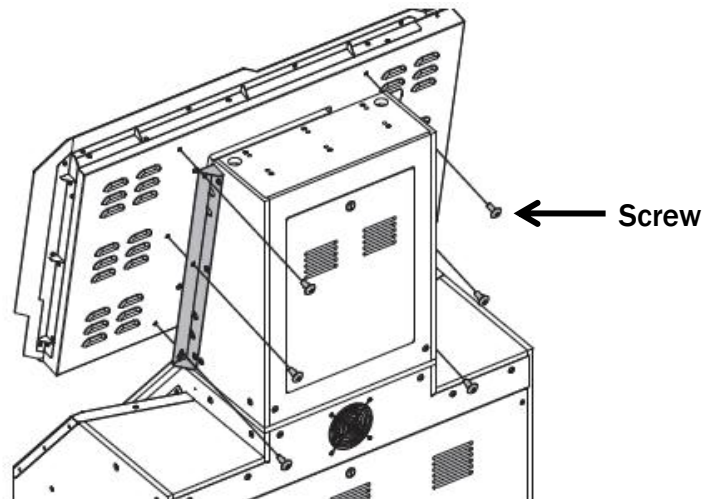


8.5 Monitor Replacement Instruction

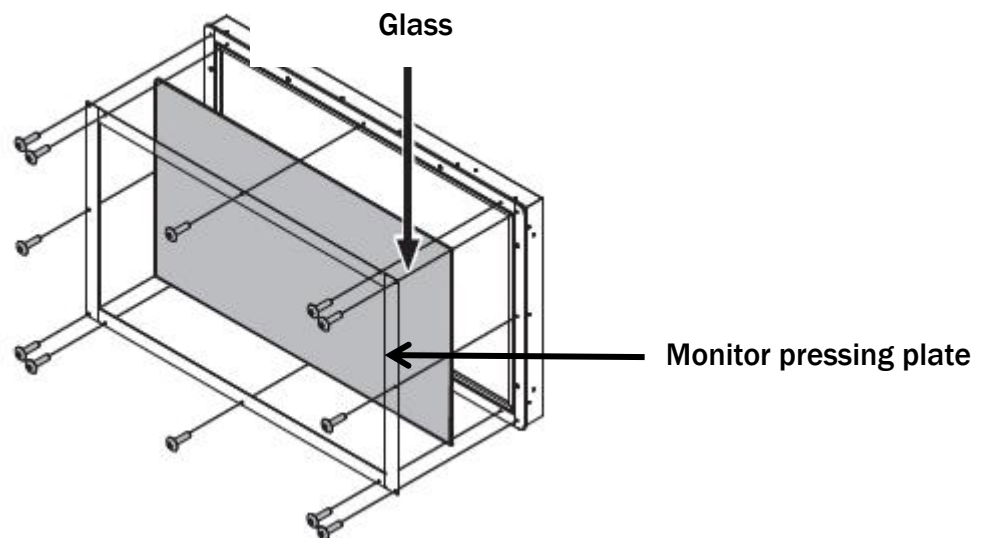
Step 1 Open the Back upper door. Unplug monitor connector.



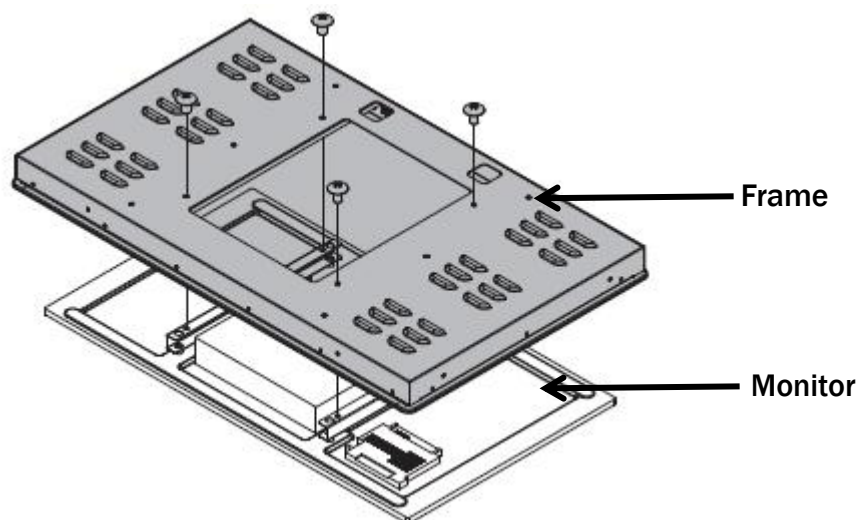
Step 2 Utilize Phillips screwdriver to loosen Frame screws to remove Monitor assembly.



Step 3 Utilize Phillips screwdriver to loosen Monitor pressing plate screws to remove Monitor pressing plate and Glass.

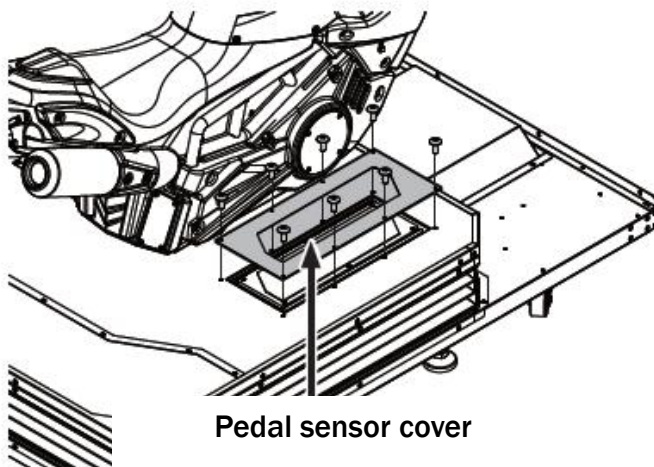


Step 4 Place Monitor downside. Utilize Phillips screwdriver to loosen Frame screws to remove Frame. Replace with new Monitor and install it in reverse order.

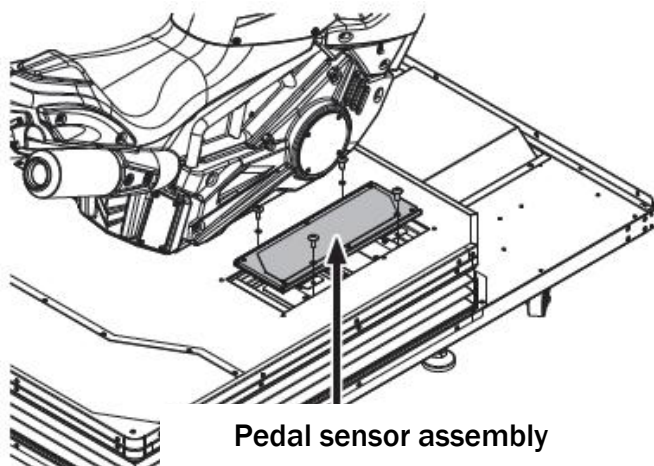


8.6 Pedal Sensor Replacement Instruction

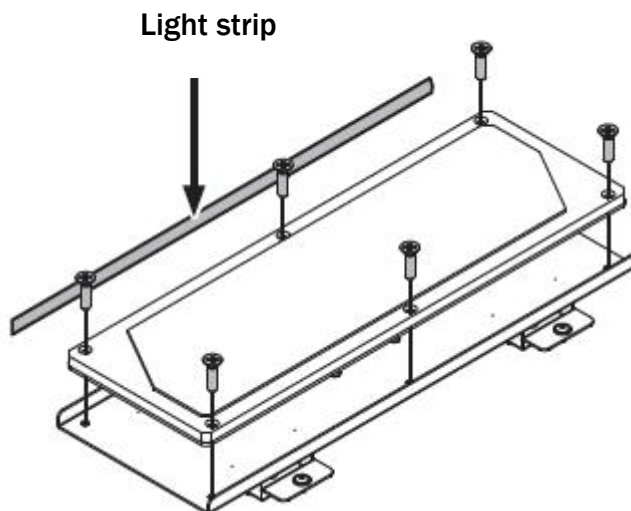
Step 1 Loosen Pedal sensor cover screws and remove Pedal sensor cover.



Step 2 Loosen Pedal sensor assembly screws and remove Pedal sensor assembly.

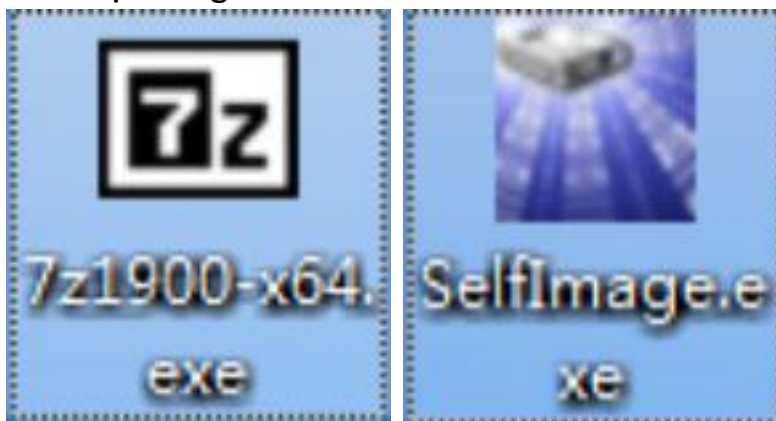


Step 3 Loosen Pedal fixing screws and remove Light strip. Replace with new Pedal sensor and install it in reverse order.



8.7 Software Installation Instruction

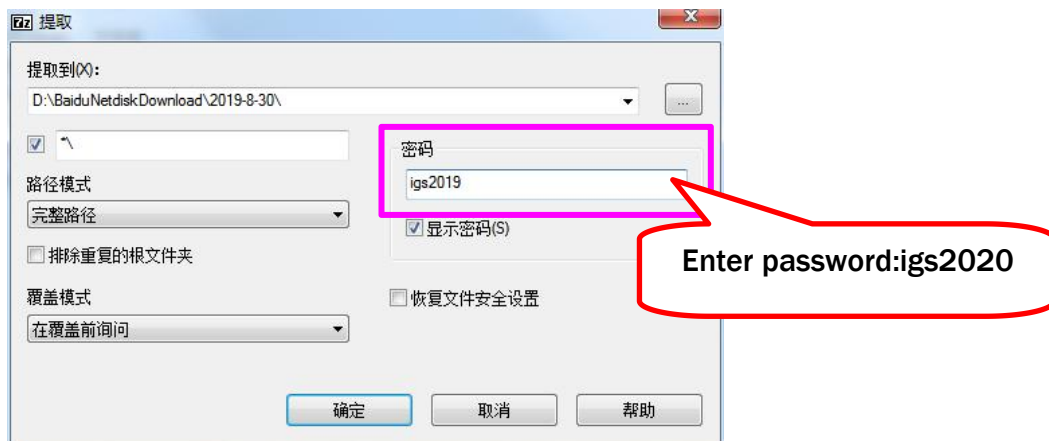
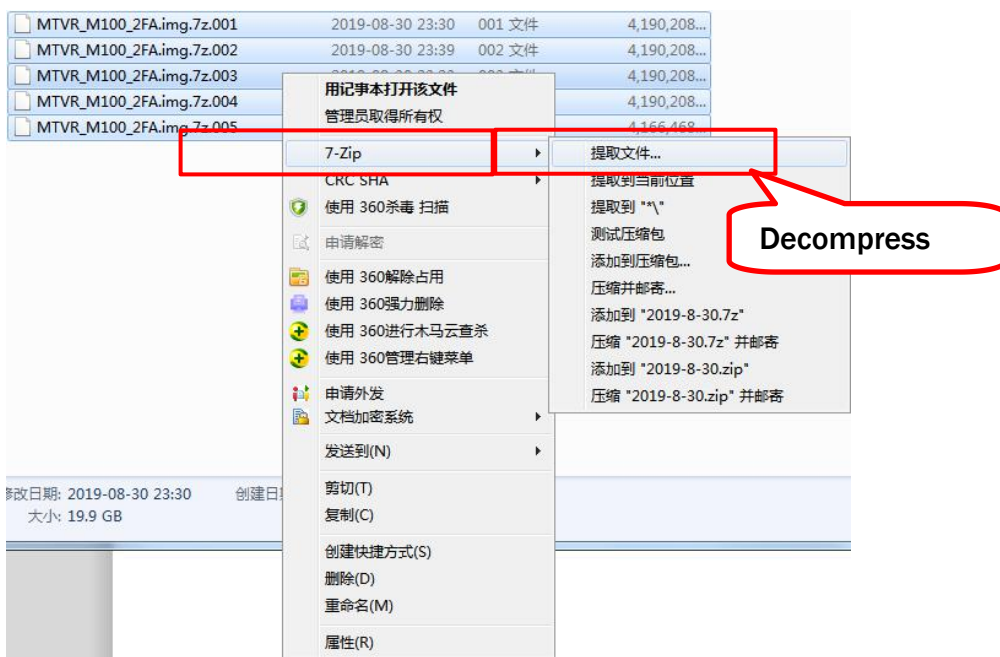
Step 1 Install File decompressing software.



Step 2 Download these Files and Zip file in Baiduyun.



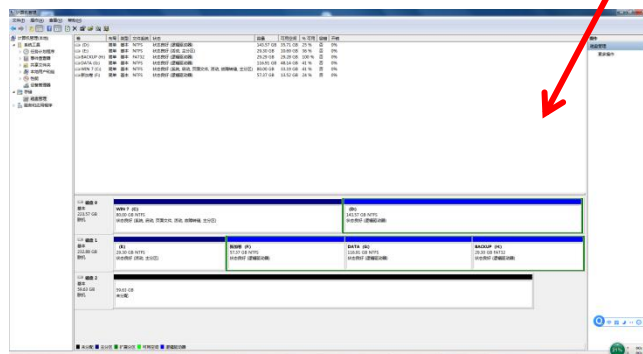
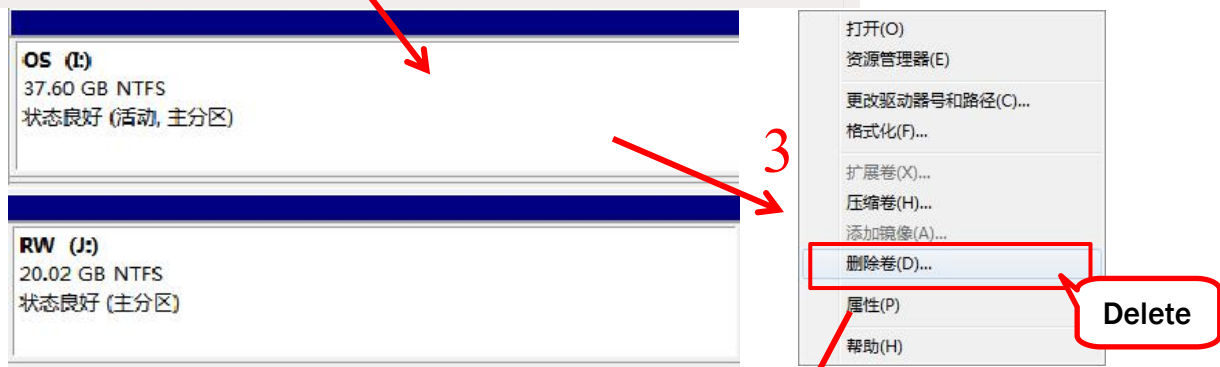
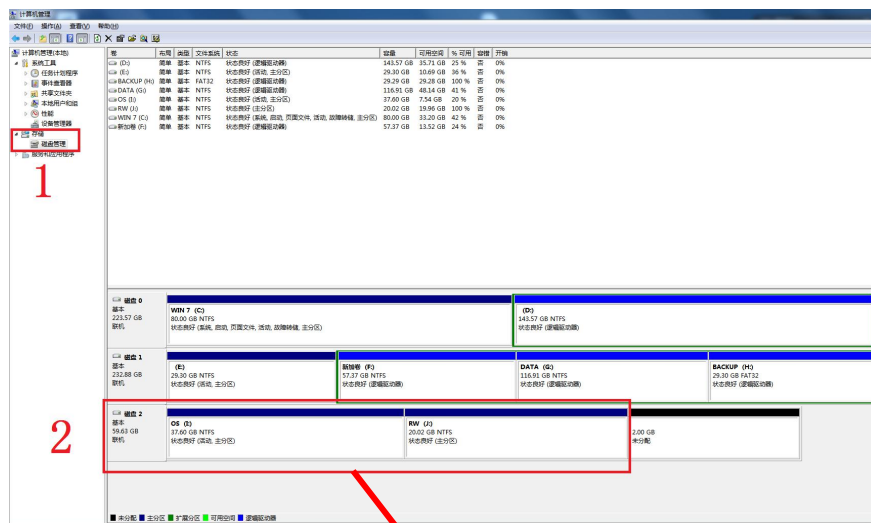
Step 3 Decompressing 5 files by using 7z.



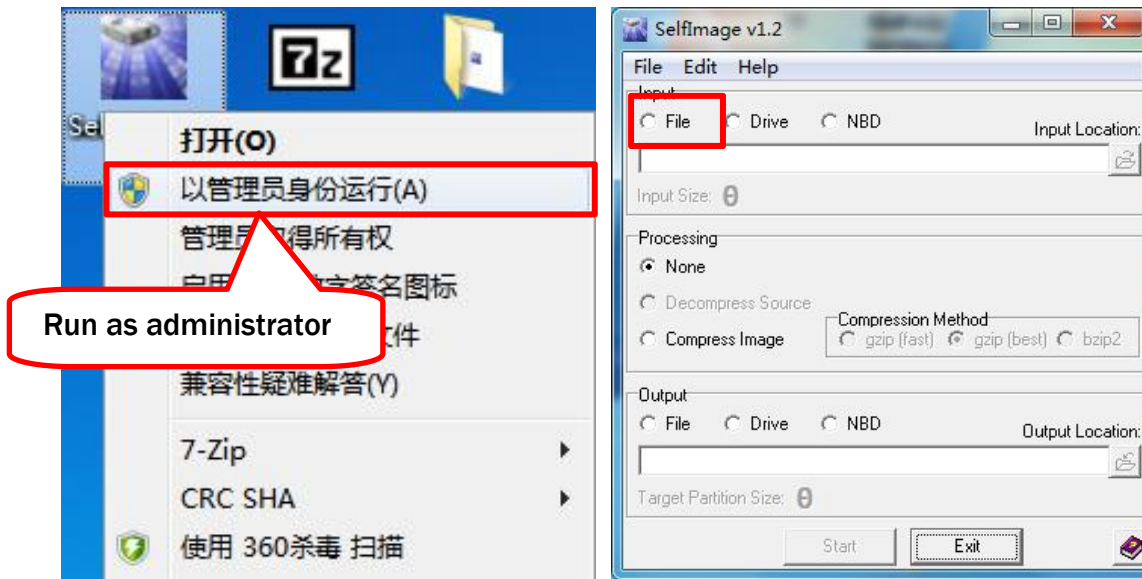
Step 4 Install Hard disk to the PC. Right click "My computer" → Left click "Manage".



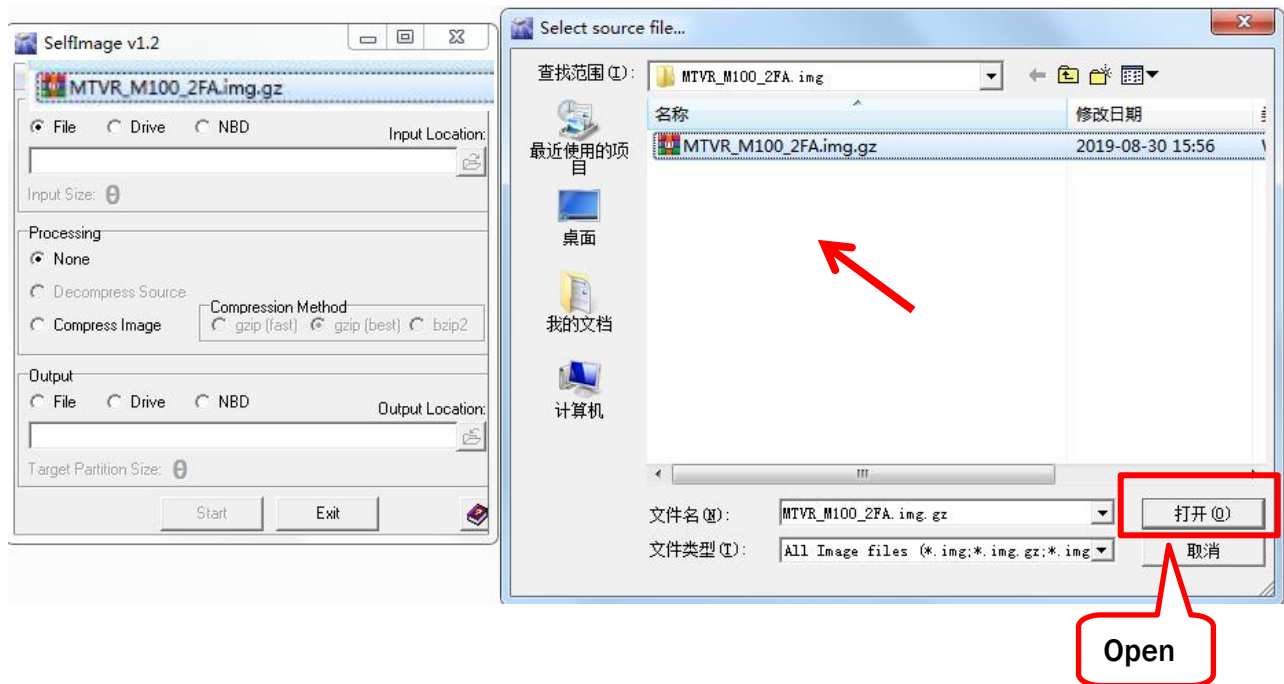
Step 5 Click "Disk management" → Delete two partitions.



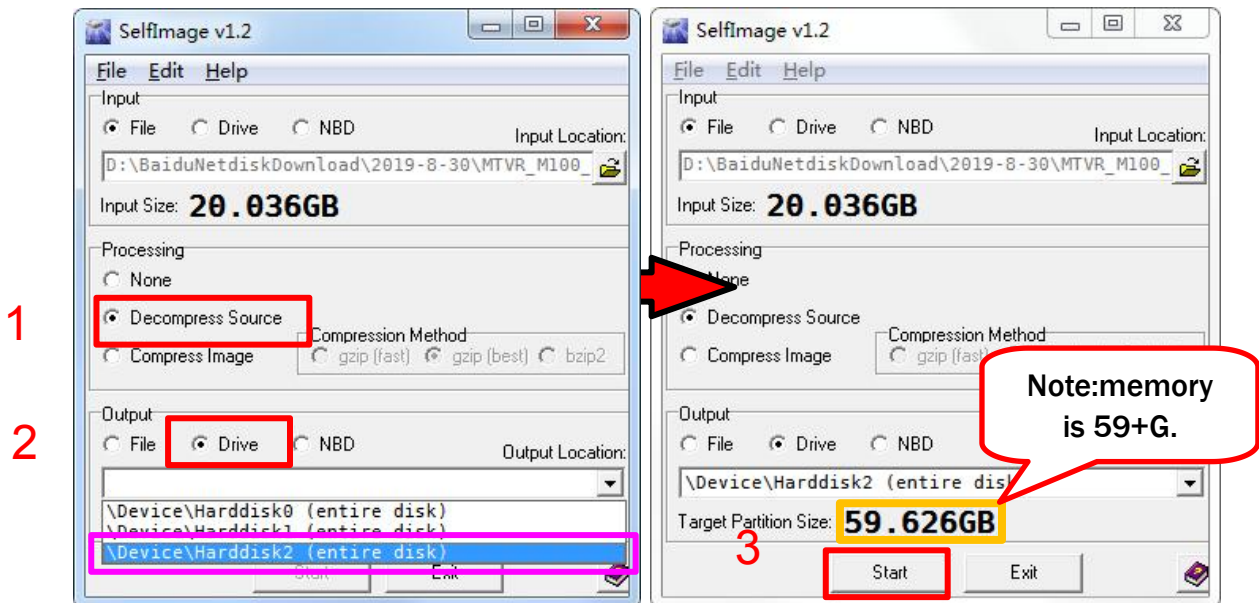
Step 6 Right click“SelfImage”→ “Run as administrator” →”File”



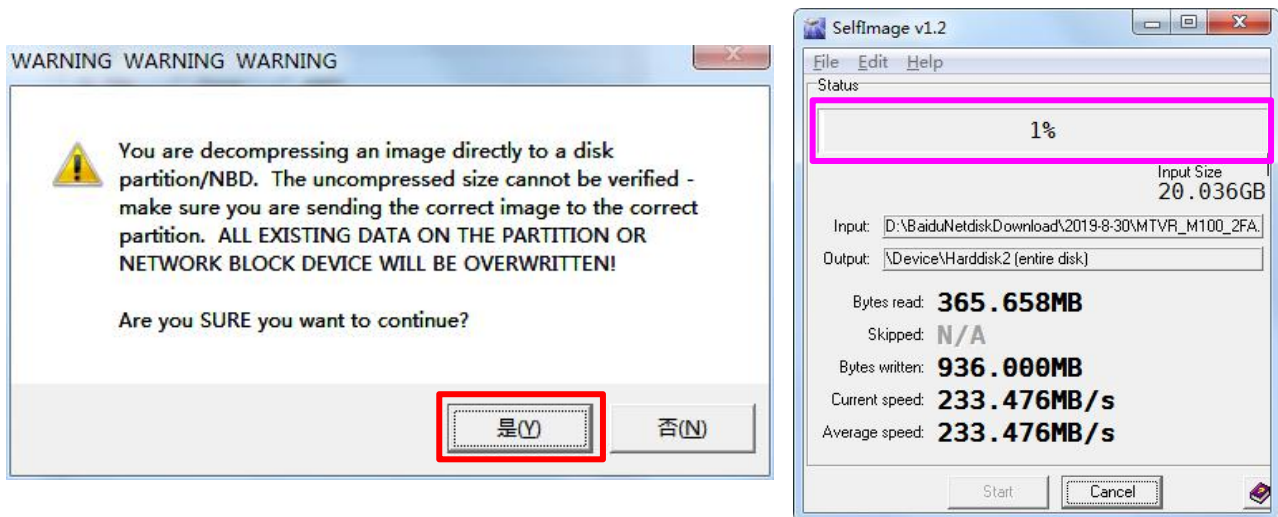
Step 7 Select document and open.



Step 8 Select "Decompress Source" → "Drive" → "\Device\Harddisk2(entire disk)" → "Start".



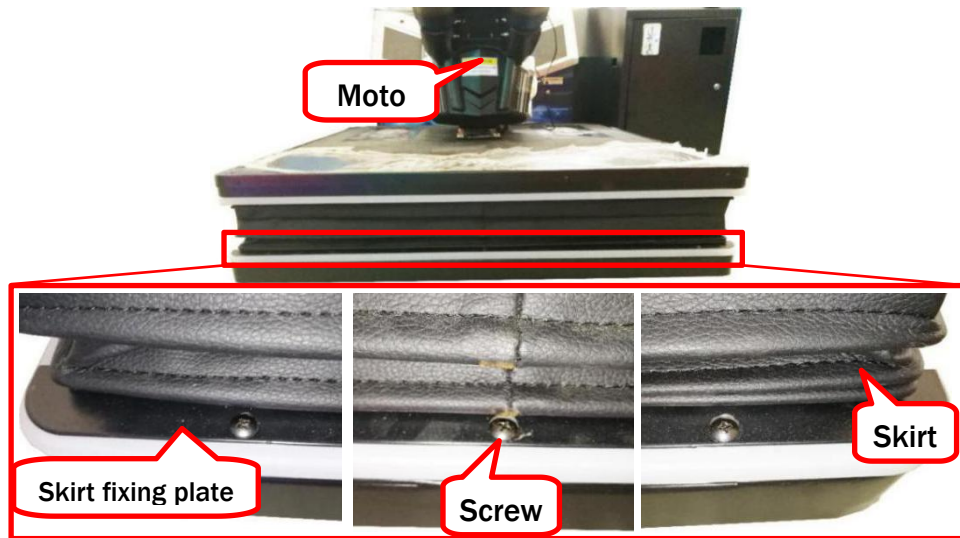
Step 9 Press "Yes". wait the Status to 100% and close.



8.8 Motor of Jack Mechanism Replacement Instruction

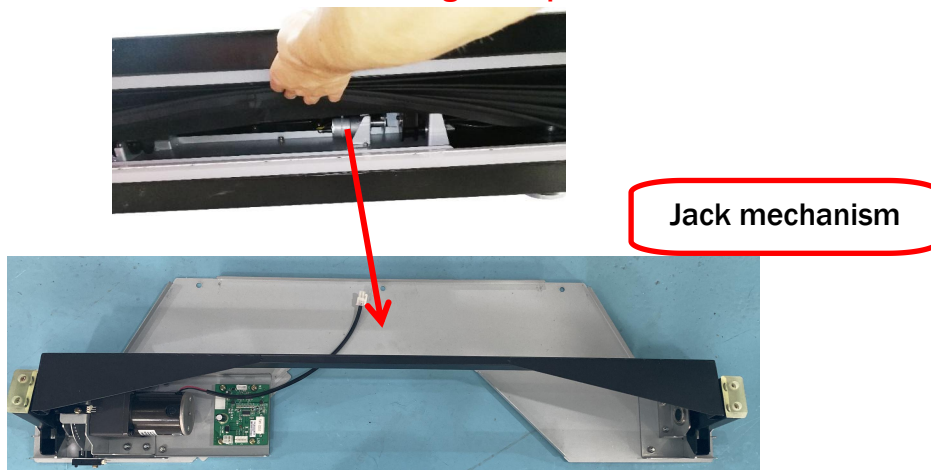
Note: Pictures are for reference only.

Step 1 Power off the game. Utilize Phillips screwdriver to loosen 3 screws to remove Skirt fixing plate.



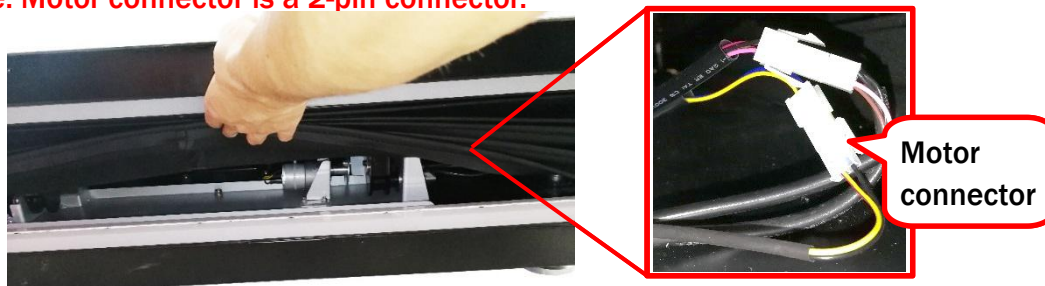
Step 2 Open the Skirt and Jack mechanism will show.

Note: Staffs need to hold the Skirt during the replacement.



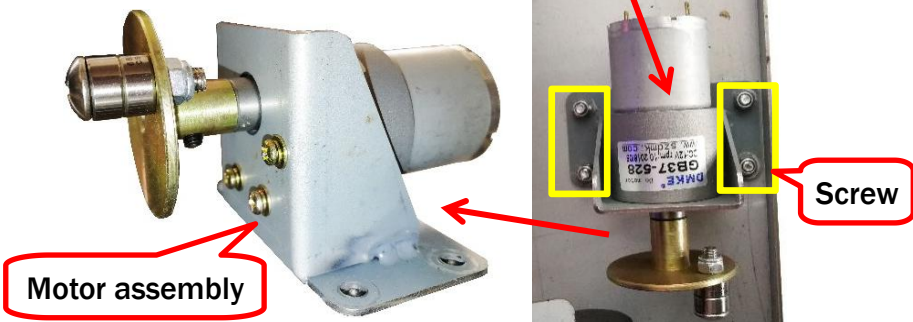
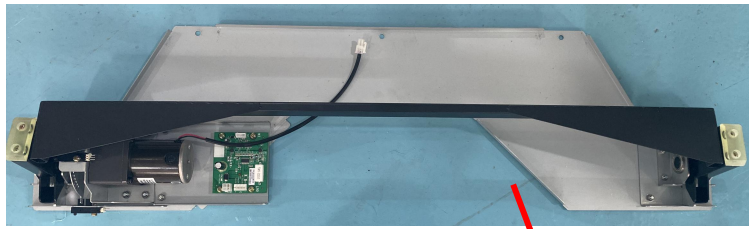
Step 3 Reach into the Jack mechanism to unplug the connector.

Note: Motor connector is a 2-pin connector.

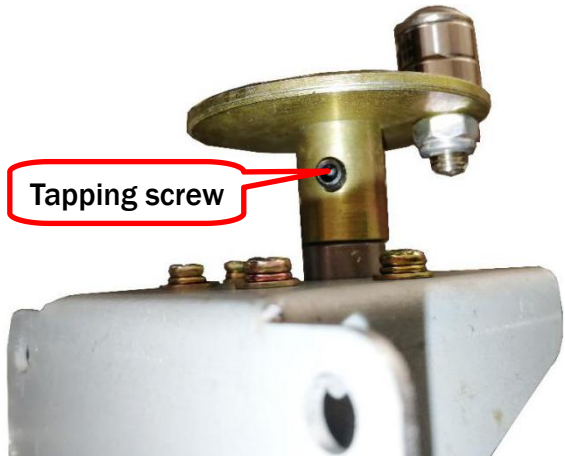


Step 4 Utilize Socket wrench to loosen 4 screws on the Motor fixing plate to remove Motor assembly.

Jack mechanism



Step 5 Utilize Allen wrench to loosen tapping screw to remove Rotation shaft.



Step 6 Utilize screwdriver to loosen 4 screws to remove motor.



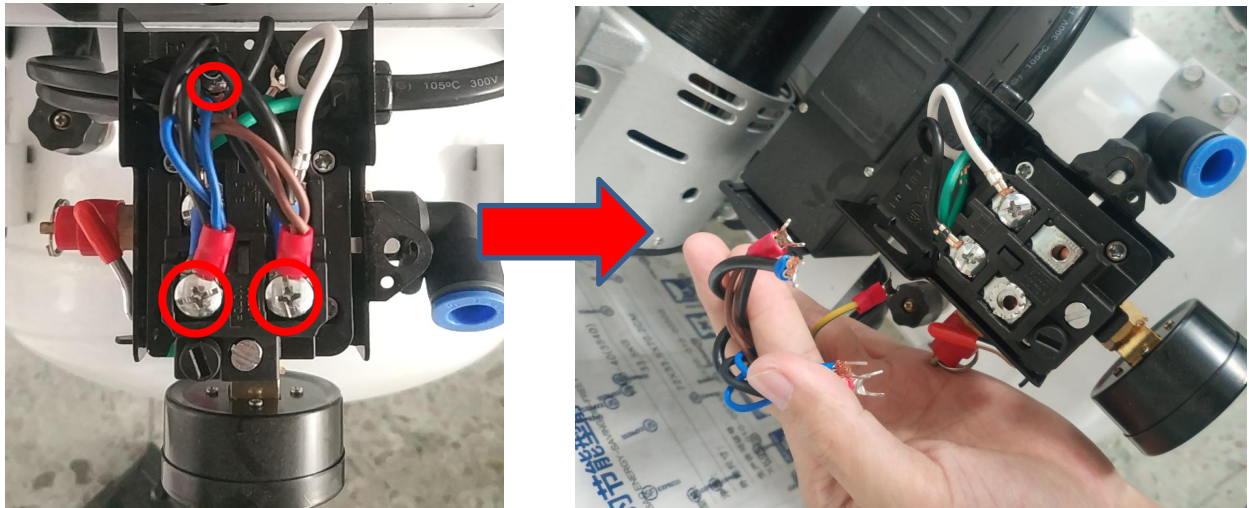
Step 7 Replace with the new motor and install in reverse order.

8.9 Air Compressor Pressure Control Valve Replacement Instruction

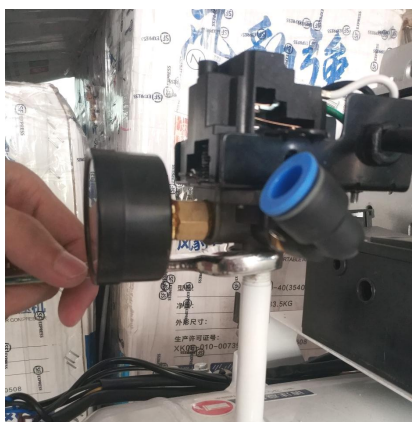
Step 1 Power off the game. Eliminate all the gas in the Air compressor. Utilize Phillips screwdriver to loosen the screw to remove Top cover.



Step 2 Utilize Phillips screwdriver to loosen 3 screws to remove Wirings.



Step 3 Utilize Spanner to remove Pressure control valve.



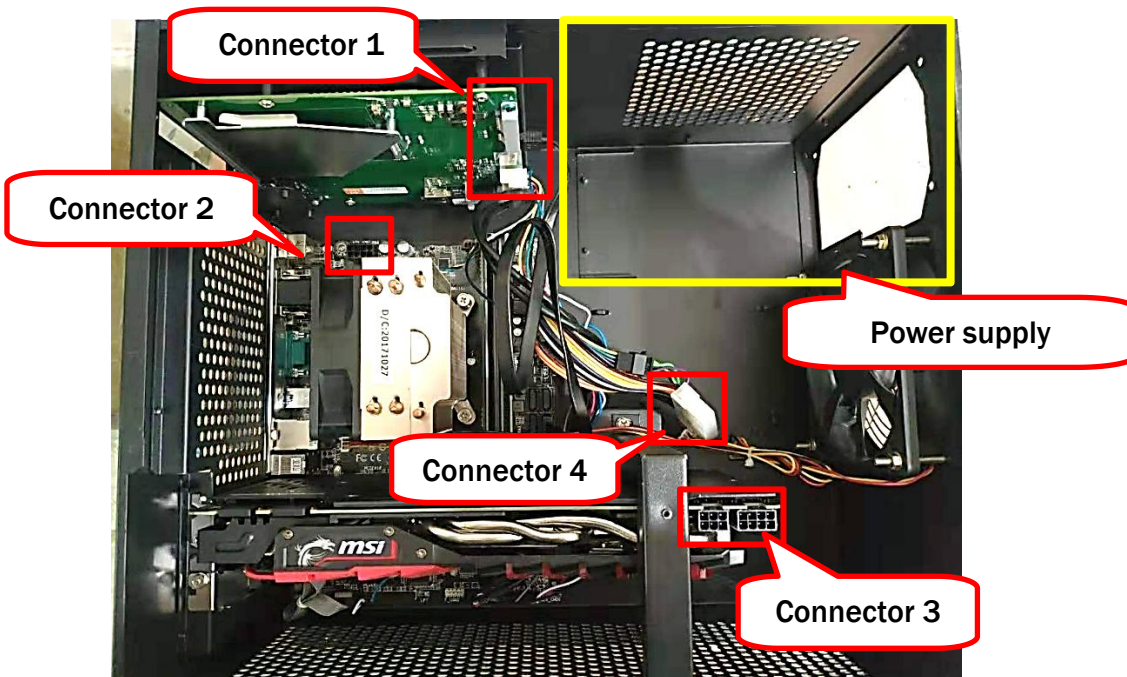
Step 4 Replace with the new Pressure control valve and install in reverse order.

8.10 PC Power Supply Replacement Instruction(Headset Calibration Fail Many Times)

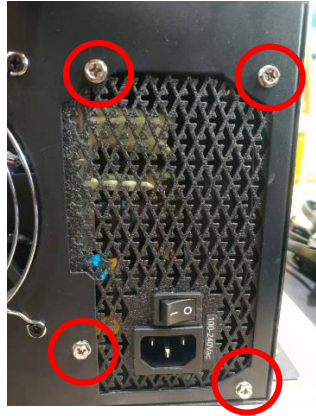
Step 1 Utilize Phillips screwdriver to loosen screws on the PC side board and Remove PC side board.



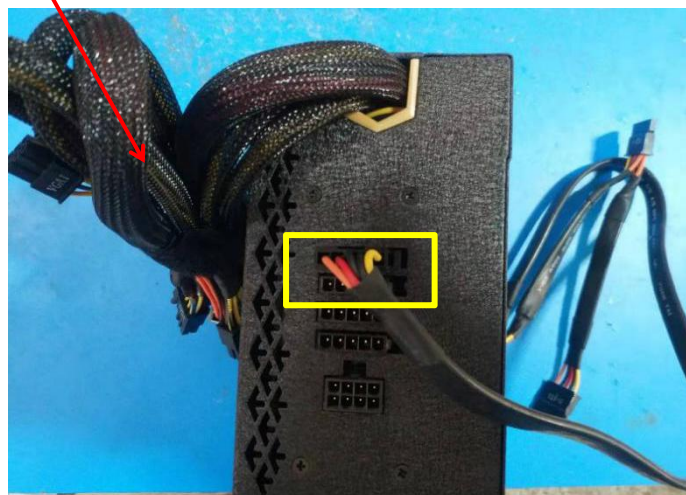
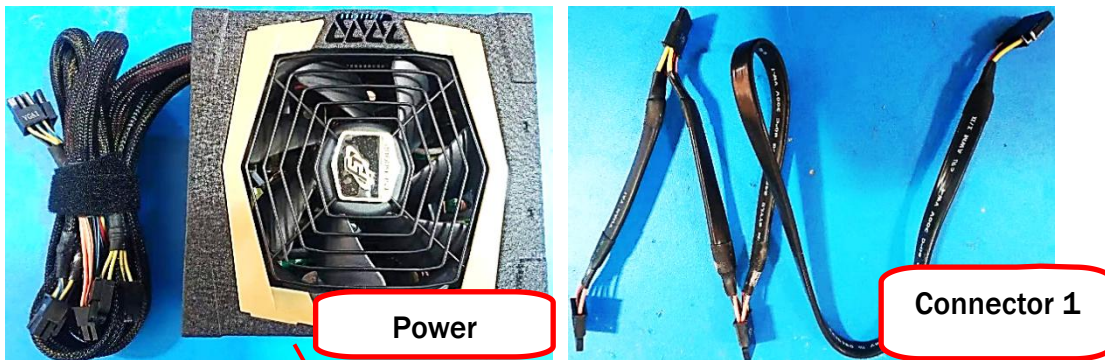
Step 2 Unplug all the connectors as shown below.



Step 3 Utilize Phillips screwdriver to loosen screws and remove Power supply.

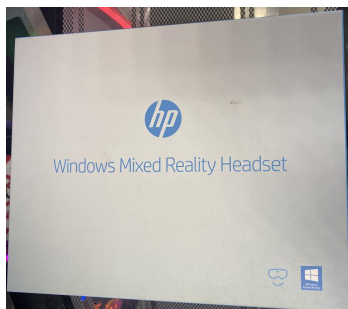


Step 4 Locate the new Power supply. Plug Connector to the PC Power supply.



8.12 VR Headset Replacement Instruction

Note: We recommend to choose HP VR Headset to replace.

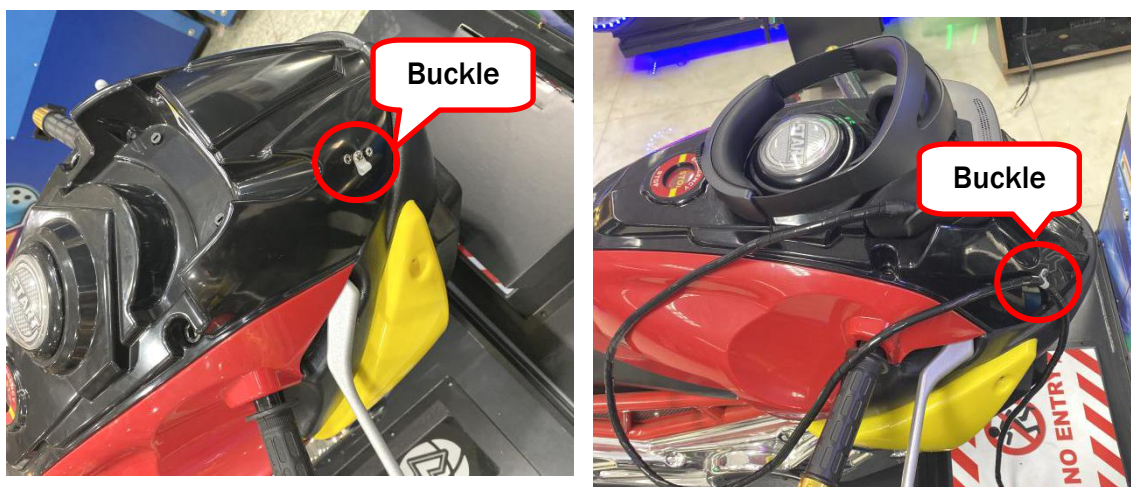


(Model Number:VR1000-121cn)

Step 1 Open the back door. Locate the PC. Unplug 2 cables indicated by circle. Open front door on the right side of the Main cabinet . Remove the Headset cable.



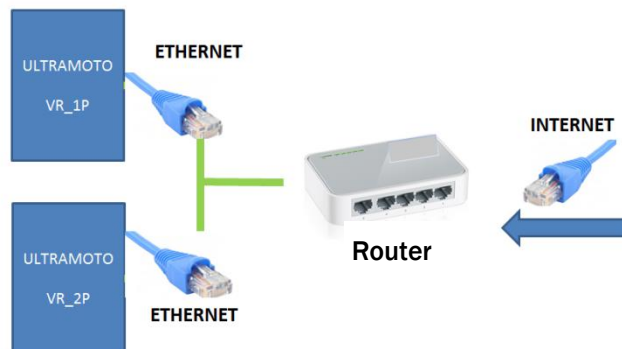
Step 2 Utilize Phillips screwdriver to loosen Buckle on the moto right side. Remove the Headset cable from the cable buckles.



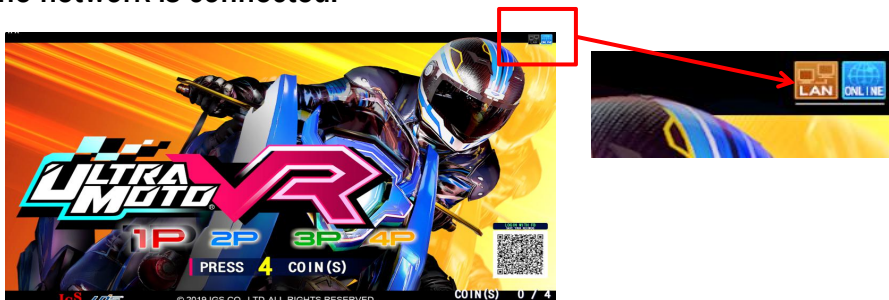
Step 3 Remove the VR headset. Replace with new VR headset and install it in reverse order.

8.13 Software Update Online Instruction

Step 1 Please connect cabinets through the router and connect the router to the internet.



Step 2 Locate the monitor upper right side. If the LAN and ONLINE icons on. It means the the network is connected.

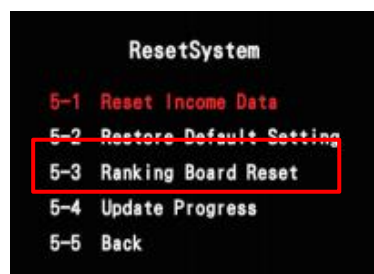


Step 3 Locate the monitor upper left side. Check whether the game version is M102FA or later versions. If it is, the software will automatically update the latest version M106FA online.

If the game version number is M101FA, please contact the dealer to replace the hard disk. Please contact with UNIS Service to replace Hard disk to update.



Step 4 Software update progress can be seen in the Setting menu - System reset - Update progress.



Note: The machine can automatically update the software in standby state. the machine can still play normally. Restart the machine after the update is finish.

8.13 Linking Connection Instruction

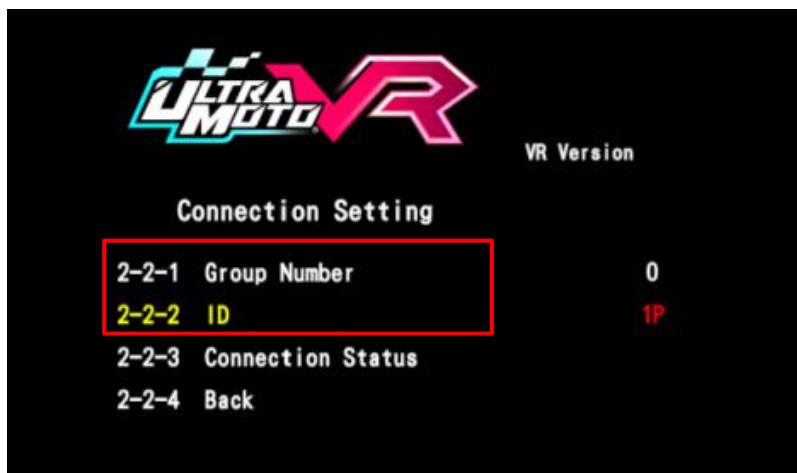
The cabinets to be connected must have the same group number and different ID value in order to be connected.

Up to 4 cabinets can be connected at the same time. If there are four cabinets, it is recommended to set the ID number to 1P, 2P, 3P, 4P.

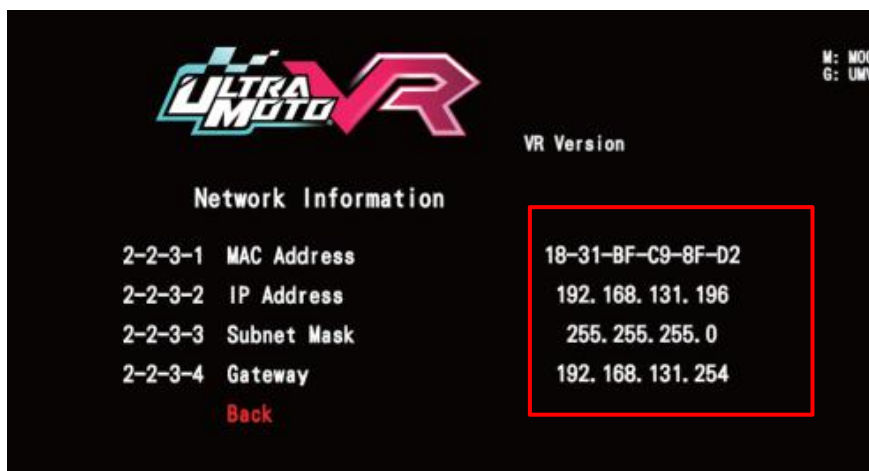
Note: Utilize left and right brakes to choose and press the Start button to enter and set.

Step 1 Go to [Main Menu] → [System Settings] → [Connection Settings].

Step 2 Set the Group Number and ID.



Step 3 Select [Connection Status]. Confirm if the mac address, ip address, subnet mask, and preset gateway are correct.



※It is recommended to set the Group number above 0.

8.14 VR Headset Calibration Instruction.

Headset Calibration Video: <https://www.bilibili.com/video/av74866503>

Before power on the machine, please place the VR Headset on the Headset storage.

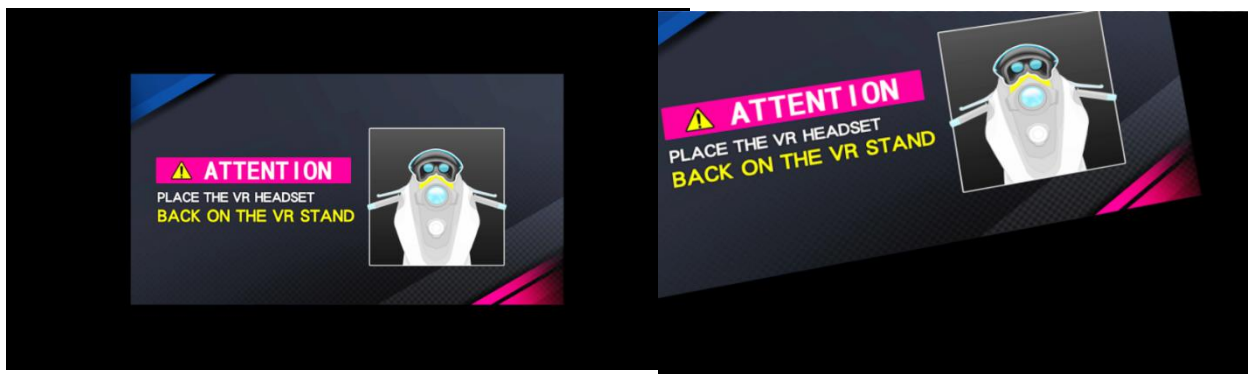


Note:

- 1.The Headset camera cannot be blocked.
- 2.The surrounding light should not be too dark or too bright. Otherwise the calibration will fail.
- 3.Change the environment will cause calibration failure.

8.14.1 Headset Calibration Inspection

Sit on the Moto and wear the Headset. Face the monitor. Ensure that a prompt screen appear at the center of the VR Headset (as shown below). **If the screen is skewed, please refer to Page 10: Headset calibration (In game time).**

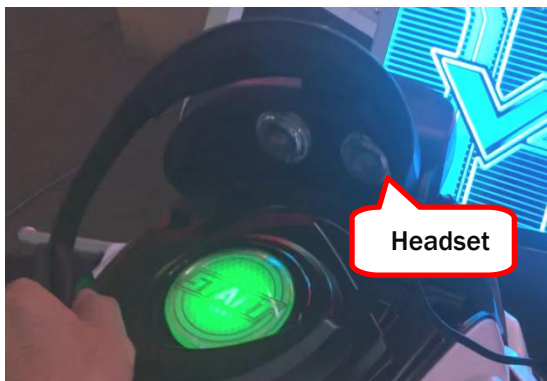


Screen appear at the center

Screen is skewed

8.14.2 Headset Calibration Instruction (In Game Time)

Step 1 Pick up the Headset from the Headset storage, and wait for 3 seconds.



Step 2 Place the Headset back on the Headset storage, and wait for the Calibration window to appear.



Step 3 After the calibration window disappears, the Headset calibration finish.



Note:

If the Headset does not return to normal, please repeat steps 1-3 (3-5 times).

If the Headset problem cannot be solved, please go to [Main Menu] → [System Settings] → [VR Headset Environment Calibration] to Calibrate Headset.(Refer to Page 11 Headset Environment Calibration Instruction)

8.14.3 Headset Environment Calibration Instruction

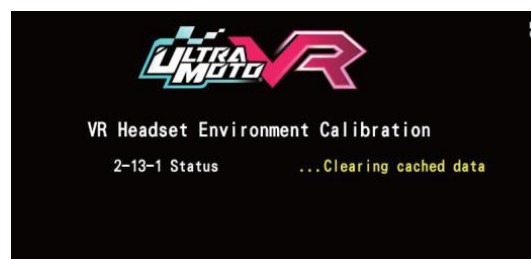
■ Please perform VR Headset Environment Calibration for the following 5 situations:

1. Machine first setting.
2. The machine is moved.
3. Update Game version.
4. Hard disk is replaced.
5. Headset calibration(In Game Time) fail many times.

Note: Utilize left and right brakes to choose and press the Start button to enter and set.

Step 1 Go to [Main Menu] → [System Settings] → [VR Headset Environment Setting].

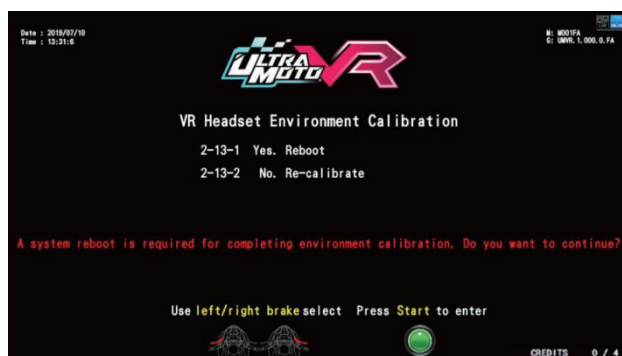
Step 2 After [VR Headset Environment Calibration] is selected, [Settings Status] will appear. The system will clear the positioning data.



Step 3 When entering into the VR Headset calibration status, please follow the instructions on the screen to perform the VR Headset calibration.

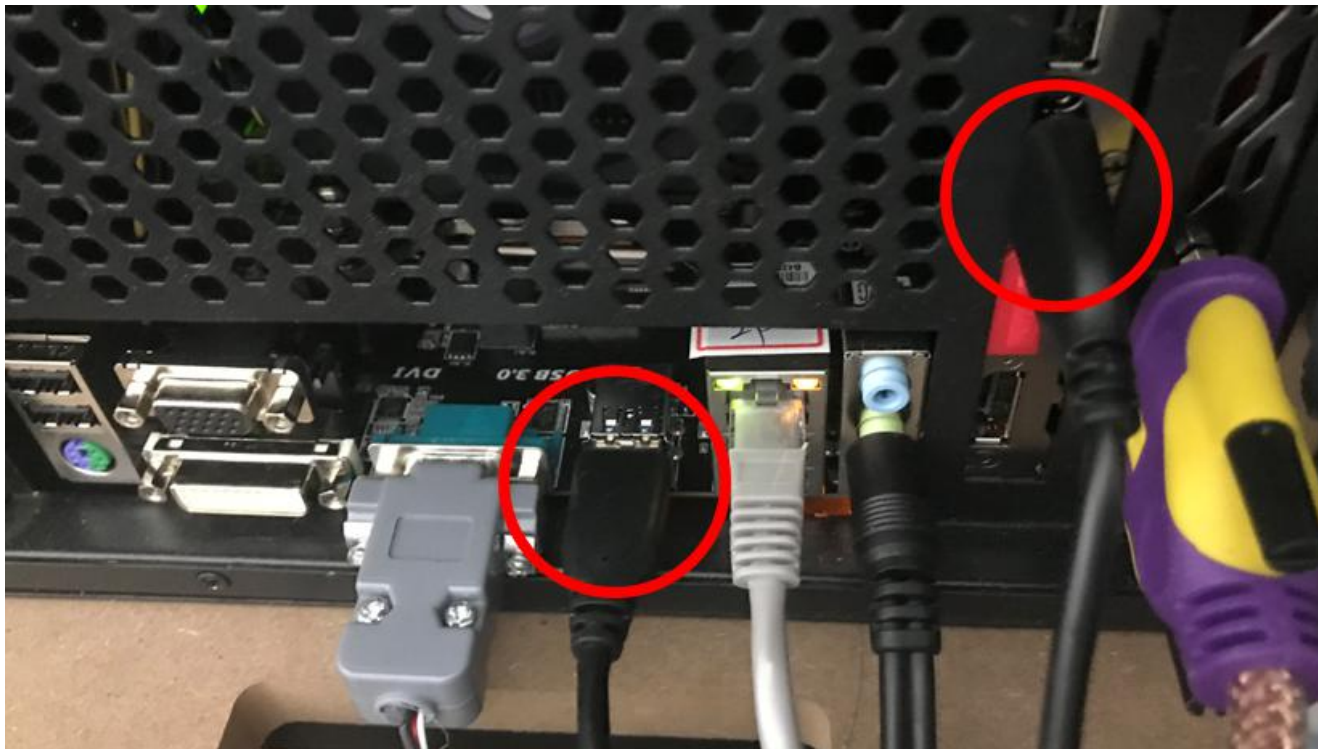


Step 4 After the calibration is complete, the option to [Reboot] will appear. This setting will only take effect after restarting the machine. If [Re-Calibration] is selected, the calibration process will be repeated.



8.14.4 Headset Instruction (VR Detection Error/Headset has no image)

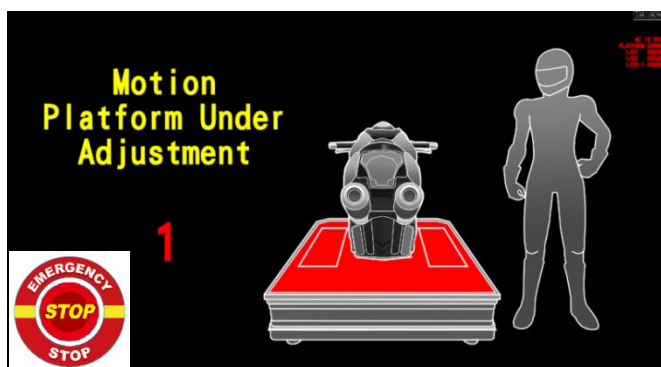
Step 1 Turn off the machine, and replug the VR Headset 2 cables as circle indicated. Restart the machine.



Step 2 If the Headset still fail, exchange the other machine headset and check. If the other machine headset still fail, please replace the hard disk.

8.15 Motion Platform Instruction

- If a STOP icon appears on the left bottom corner, press the STOP button to cancel the icon, and restart the machine.



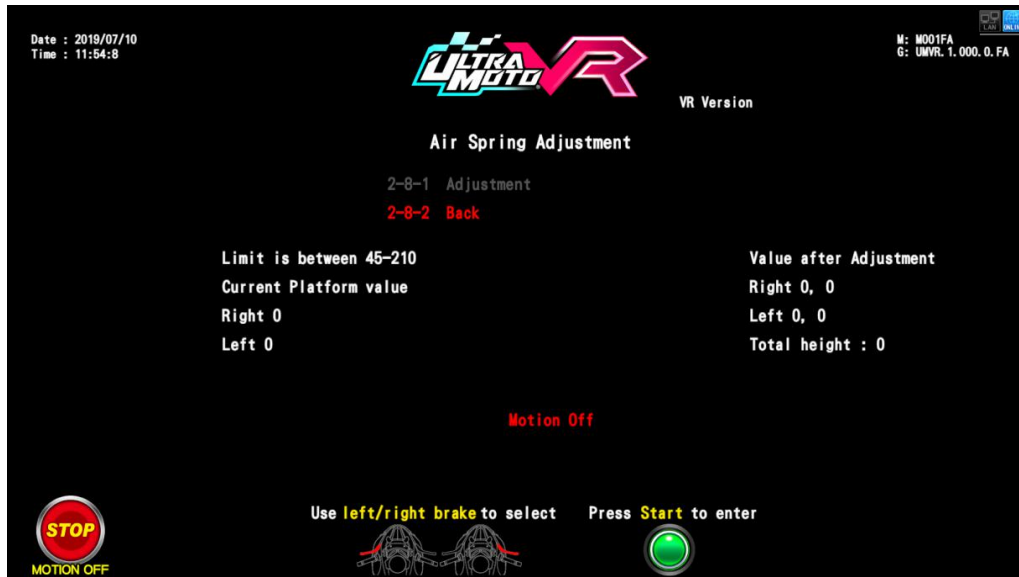
8.15.1 Motion Platform Calibration Instruction

Note: Utilize left and right brakes to choose and press the Start button to enter and set.

Step 1 Go to [Main Menu] → [System Settings] → [Air Spring Adjustment].

Step 2 Select [Adjustment] to begin the adjustment.

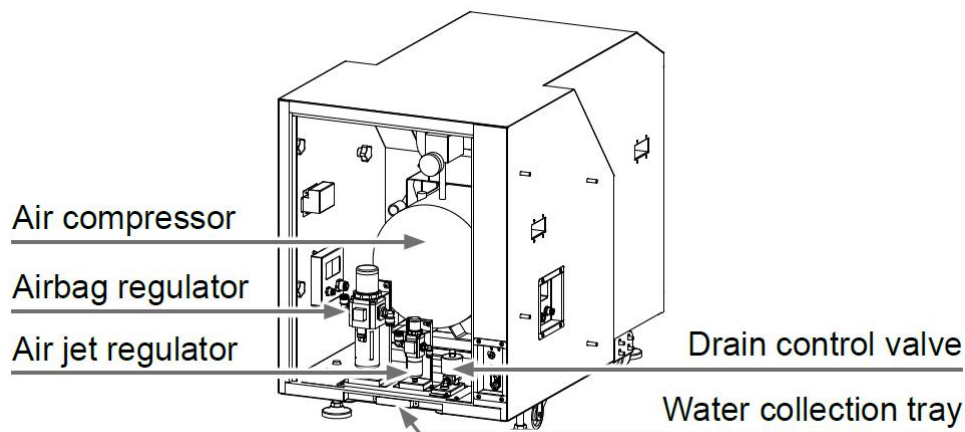
Note: If press down on the [STOP] button, the following warning will appear: [Motion Off]. press the STOP button to cancel the calibration, and restart the machine.



Step 3 If the Motion platform still fail, please turn off the Electric Jack Settings ([Main Menu] → [System Settings] → [Electric Jack settings]) and try Air spring Adjustment again.

If the Motion platform returns to normal after closing the Electric Jack, please contact the UNIS service for maintenance.

Step 4 If the Motion platform still fail, Please open the middle cabinet back door. Check whether the air pressure of the Air compressor is 0.25MPa.



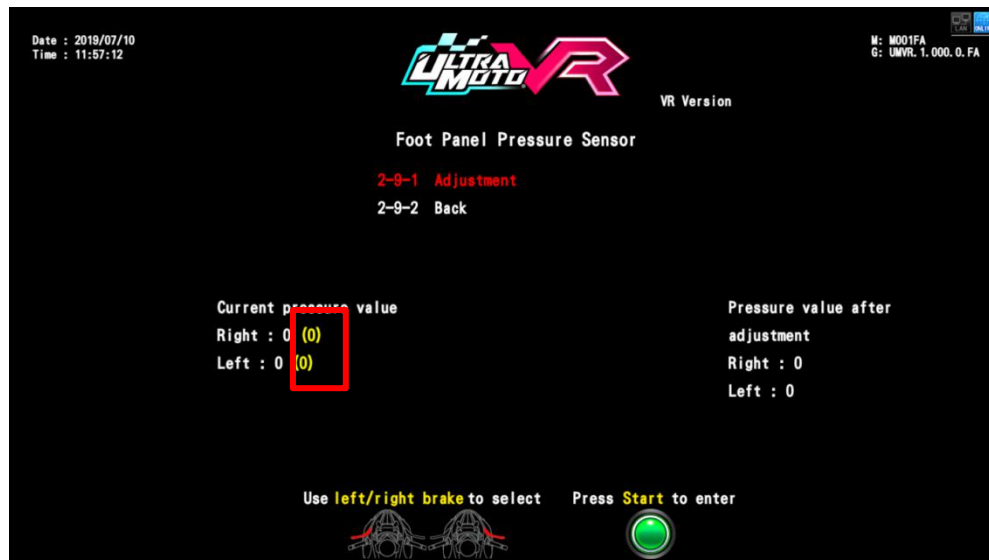
8.16 Foot Panel Pressure Sensor Adjustment Instruction

Caution: Do not stand on the Motion platform

Note: Utilize left and right brakes to choose and press the Start button to enter and set.

Step 1 Go to [Main Menu] → [System Settings] → [Pressure Calibration Adjustment].

Step 2 Select and press the [Start] button to begin the adjustment.



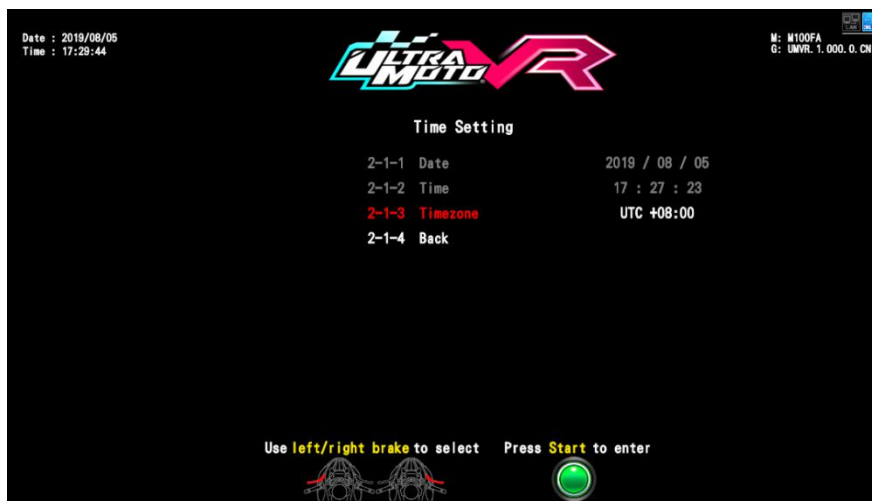
Note: After adjustment, the value circled in the picture must be less than 20.

8.17 Time Settings Instruction

- The time zone of the machine will be set to UTC+08:00 as default.

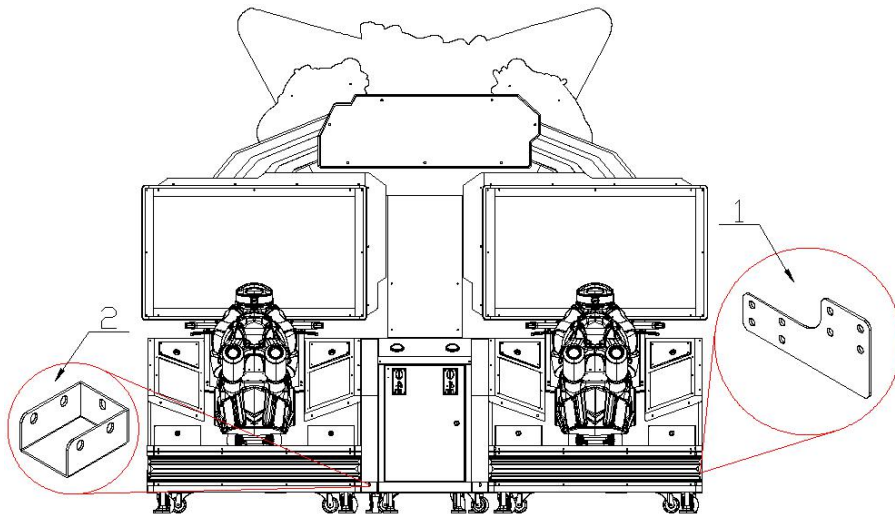
Step 1 Go to [Main Menu] → [System Settings] → [Time Settings].

Step 2 Utilize the left and right break to adjust, and press the [Start] button to confirm the adjustment.



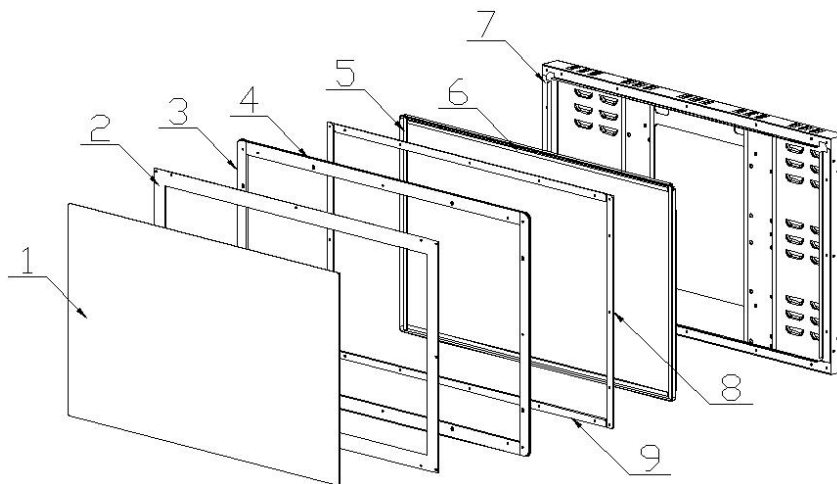
9. OVERALL CONSTRUCTION

9.1 General Assembly



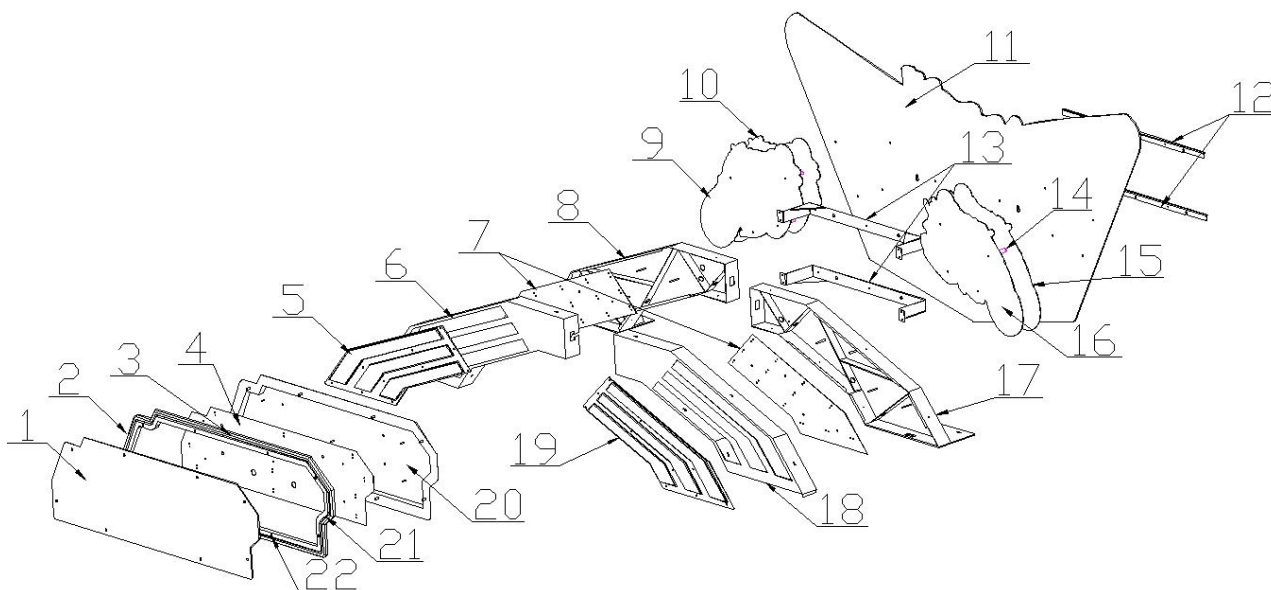
No.	Part No.	Code No.	name	Qty
1	U110-917-000	20241801022	Connective plate	2
2	U110-916-000	20241801021	Central connective plate	2

9.2 Monitor Assembly



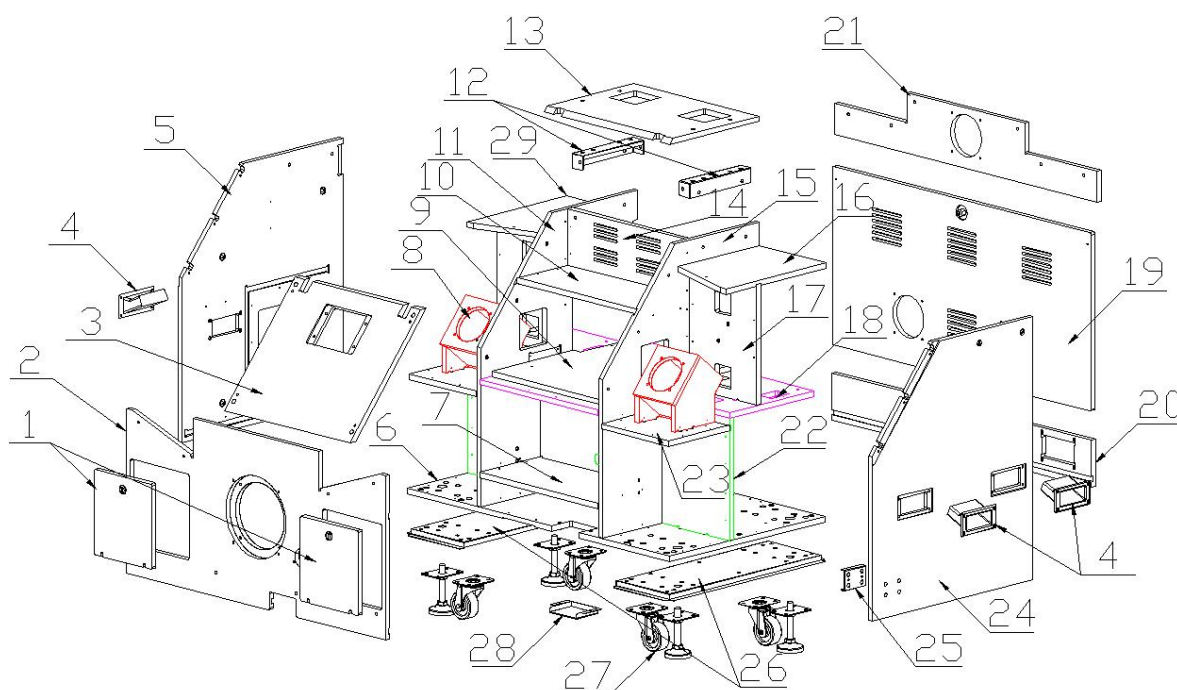
No.	Part No.	Code No.	name	Qty
1	U110-112-000	20641801055	Glass	1×2
2	U110-111-000	20241801028	Monitor pressing plate	1×2
3	U110-114-000	20641801005	Vertical plastic	2×2
4	U110-113-000	20641801004	Horizontal plastic	2×2
5	U110-118-000	20641801046	Foam(short)	2×2
6	U110-117-000	20641801045	Foam(long)	2×2
7	U110-110-000	20241801027	Monitor frame	1×2
8	U110-116-000	20641801007	Short plastic	2×2
9	U110-115-000	20641801006	Long plastic	2×2

9.3 Marquee Assembly



No.	Part No.	Code No.	name	Qty
1	U110-701-000	20541801A001	Marquee plastic	1
2	U110-152-000	20641801067	Marquee L plastic	1
3	U110-151-000	20641801066	Marquee upper plastic	1
4	U110-149-000	20641801064	Marquee light plate	1
5	U110-145-000	20641801061	L light plate	1
6	U110-142-001	20241801224A	L light cover	1
7	U110-147-000	20641801063	L&R light plate	2
8	U110-141-001	20241801223B	L light bracket	1
9	U110-735-000	20541801021	L moto plastic	1
10	U110-155-001	20641801069A	L moto light plate	1
11	U110-737-000	20541801023	Top POP plastic	1
12	U110-157-000	20241801229	POP strengthen plate	2
13	U110-154-000	20241801228	POP support plate	2
14	U110-411-000	20108044008	Isolation column	8
15	U110-156-001	20641801070A	R moto light plate	1
16	U110-736-000	20541801022	R moto plastic	1
17	U110-143-001	20241801225B	R light bracket	1
18	U110-144-001	20241801226A	R light cover	1
19	U110-146-000	20641801062	R light plate	1
20	U110-148-001	20241801227A	Marquee frame	1
21	U110-153-000	20641801068	Marquee R plastic	1
22	U110-150-000	20641801065	Marquee bottom plastic	1

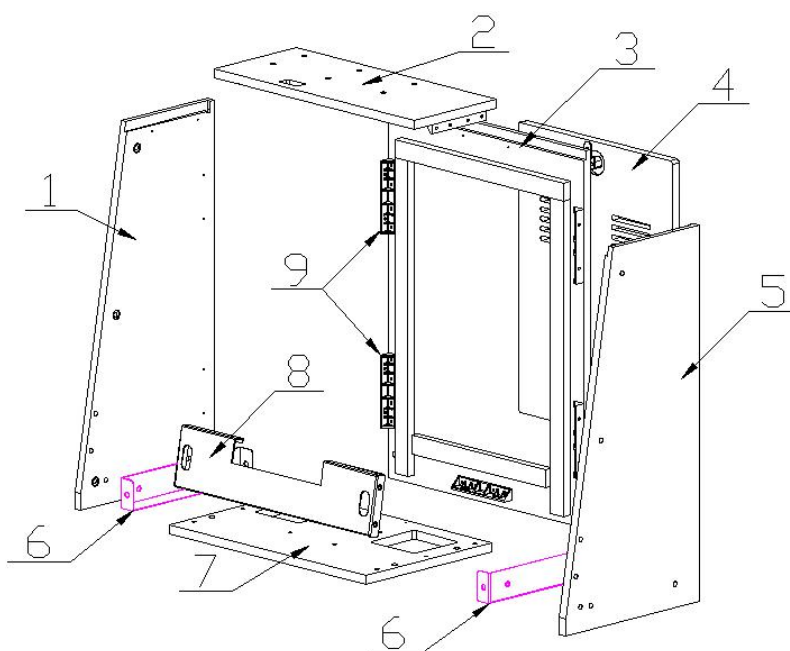
9.4 1P Bottom Cabinet



No.	Part No.	Code No.	Name	Qty
1	U110-521-000	20341801B022	Door board	2
	U110-403-000	25300171001	Lock	2
2	U110-501-000	20341801B011	Front board	1
3	U110-507-000	20341801B016	Blower fixing board	1
4	U110-402-000	25102000098	Handle	4
5	U110-502-000	20341801B012	1P L side board	1
6	U110-520-000	20341801034	Base board	1
7	U110-513-000	20341801B005	Speaker support	1
8	U110-508-000	20341801B002	Speaker box	2
9	U110-529-000	20341801B009	PC fixing board	1
10	U110-514-000	20341801B006	Blower support board	1
11	U110-511-000	20341801B017	L side board	1
12	U110-101-000	20241801156	Upper connective plate	2
13	U110-506-000	20341801B015	Bottom cabinet top board	1
14	U110-515-000	20341801B007	Blower board	1
15	U110-512-000	20341801B018	R side board	1
16	U110-517-000	20341801B020	R board	1
17	U110-510-000	20341801B004	Upper vertical board	2
18	U110-519-000	20341801B008	Support board	1
19	U110-522-000	20341801B023	Back board	1
	U110-403-000	25300171001	Lock	1
20	U110-504-000	20341801B014	Wiring mounting board	1
21	U110-518-000	20341801B021	Back upper board	1
22	U110-505-000	20341801B001	Bottom vertical board	1

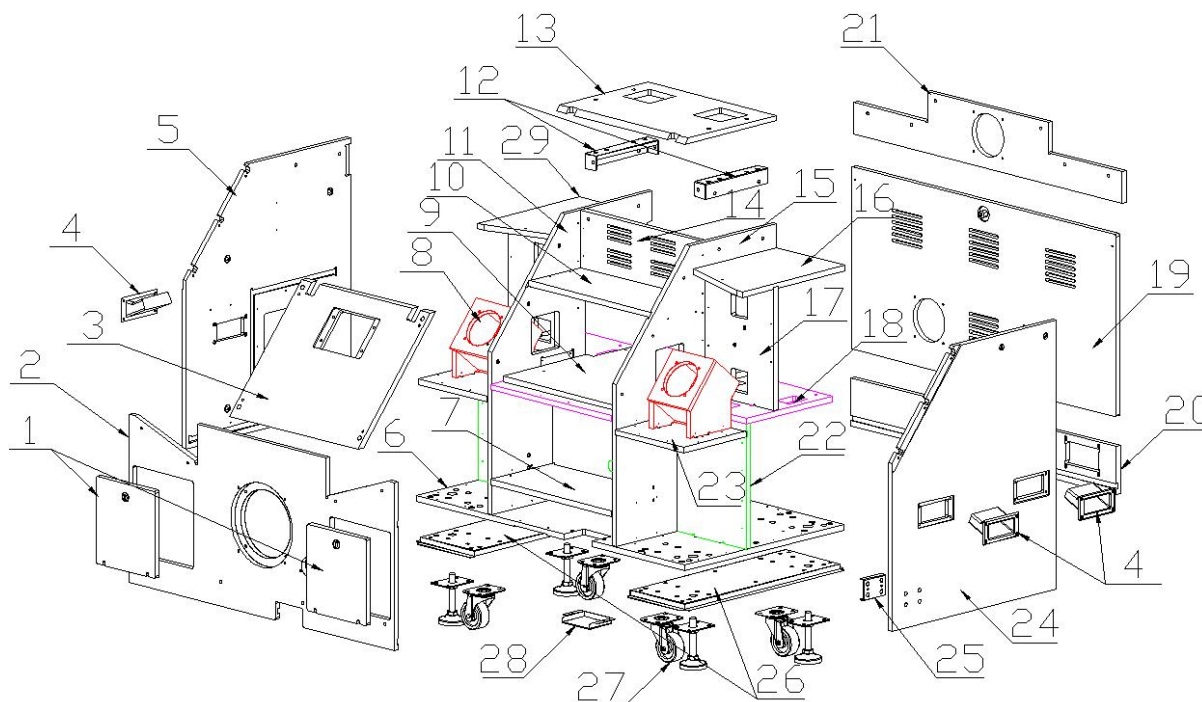
No.	Part No.	Code No.	Name	Qty
23	U110-509-000	20341801B003	Speaker support board	2
24	U110-503-000	20341801B013	1P R side board	1
25	U110-103-000	20241801024	Side connective plate	1
26	U110-104-000	20241801025	Base strengthen plate	2
27	U110-105-000	20241801026	Adjust metal plate	4
	U110-106-000	20251301035	3" leveller	4
	U110-401-000	25501000062	3" caster	4
28	U110-102-000	20241801023	Wiring out plate	2
29	U110-516-000	20341801B019	L board	1

9.5 1P Upper Cabinet



No.	Part No.	Code No.	Name	Qty
1	U110-523-000	20341801B024	Upper L side board	1
2	U110-525-000	20341801B026	Upper top board L	1
3	U110-526-000	20341801B027	Upper back board	1
4	U110-528-000	20341801B029	Upper back door board	1
	U110-403-000	25300171001	Lock	1
5	U110-524-000	20341801B025	Upper R side board	1
6	U110-108-000	20241801157	Upper cabinet connective plate	2
7	U110-527-000	20341801B028	Upper base board	1
8	U110-109-000	20241801158	Upper cabinet strengthen plate	1
9	U110-107-000	26000067000	Corner	8

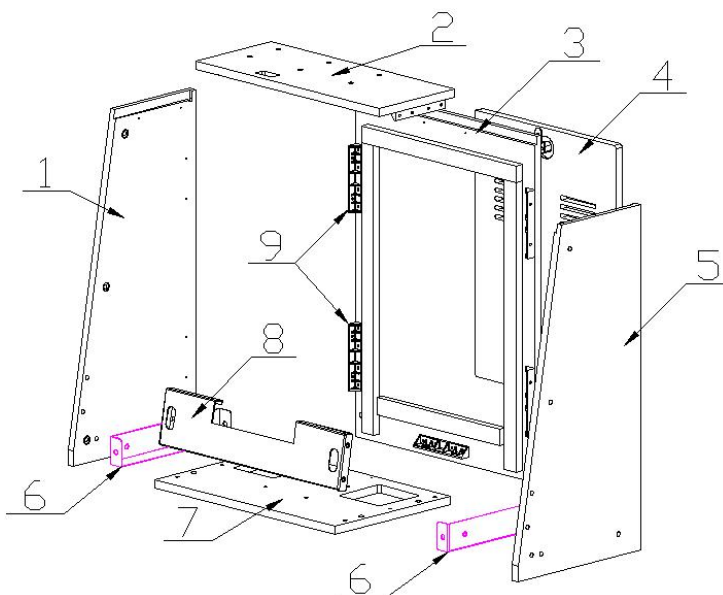
9.6 2P Bottom Cabinet



No.	Part No.	Code No.	Name	Qty
1	U110-521-000	20341801B022	Door board	2
	U110-403-000	25300171001	Lock	2
2	U110-501-000	20341801B011	Front board	1
3	U110-507-000	20341801B016	Blower fixing board	1
4	U110-402-000	25102000098	Handle	4
5	U110-530-000	20341801B030	2P L side board	1
6	U110-520-000	20341801034	Base board	1
7	U110-513-000	20341801B005	Speaker support	1
8	U110-508-000	20341801B002	Speaker box	2
9	U110-529-000	20341801B009	PC fixing board	1
10	U110-514-000	20341801B006	Blower support board	1
11	U110-511-000	20341801B017	L side board	1
12	U110-101-000	20241801156	Upper connective plate	2
13	U110-506-000	20341801B015	Bottom cabinet top board	1
14	U110-515-000	20341801B007	Blower board	1
15	U110-512-000	20341801B018	R side board	1
16	U110-517-000	20341801B020	R board	1
17	U110-510-000	20341801B004	Upper vertical board	2
18	U110-519-000	20341801B008	support board	1
19	U110-522-000	20341801B023	Back board	1
	U110-403-000	25300171001	Lock	1
20	U110-504-000	20341801B014	Wiring mounting board	1
21	U110-518-000	20341801B021	Back upper board	1
22	U110-505-000	20341801B001	Bottom vertical board	1

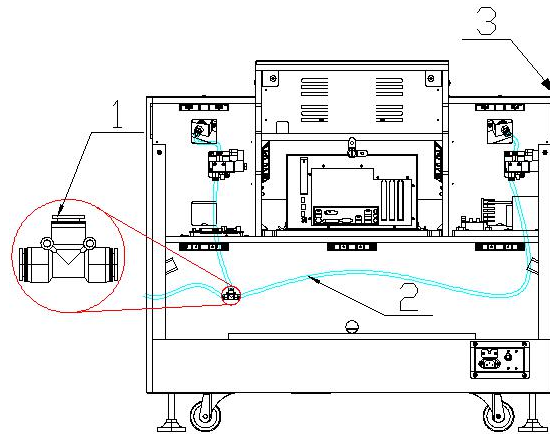
No.	Part No.	Code No.	Name	Qty
23	U110-509-000	20341801B003	Speaker support board	2
24	U110-531-000	20341801B031	2P R side board	1
25	U110-103-000	20241801024	Side connective plate	1
26	U110-104-000	20241801025	Base strengthen plate	2
27	U110-105-000	20241801026	Adjust metal plate	4
	U110-106-000	20251301035	3" leveller	4
	U110-401-000	25501000062	3" caster	4
28	U110-102-000	20241801023	Wiring out plate	2
29	U110-516-000	20341801B019	L board	1

9.7 2P Upper Cabinet

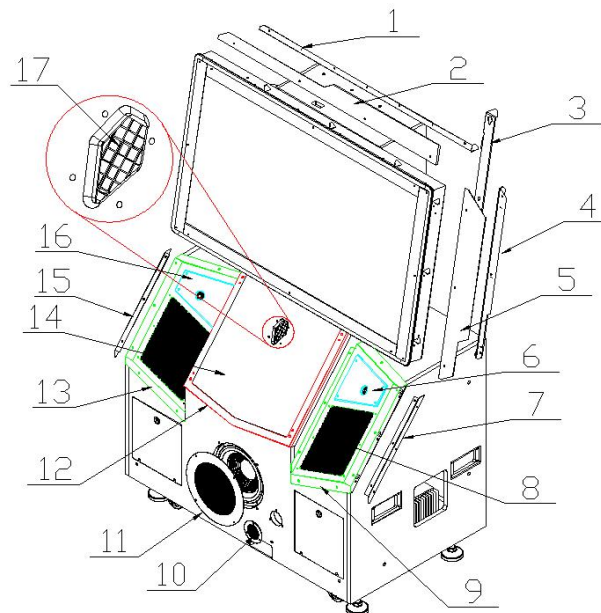


No.	Part No.	Code No.	Name	Qty
1	U110-523-000	20341801B024	Upper L side board	1
2	U110-532-000	20341801B032	Upper top board R	1
3	U110-526-000	20341801B027	Upper back board	1
4	U110-528-000	20341801B029	Upper back door board	1
	U110-403-000	25300171001	Lock	1
5	U110-524-000	20341801B025	Upper R side board	1
6	U110-108-000	20241801157	Upper cabinet connective plate	2
7	U110-527-000	20341801B028	Upper base board	1
8	U110-109-000	20241801158	Upper cabinet strengthen plate	1
9	U110-107-000	26000067000	Corner	8

9.8 L Cabinet

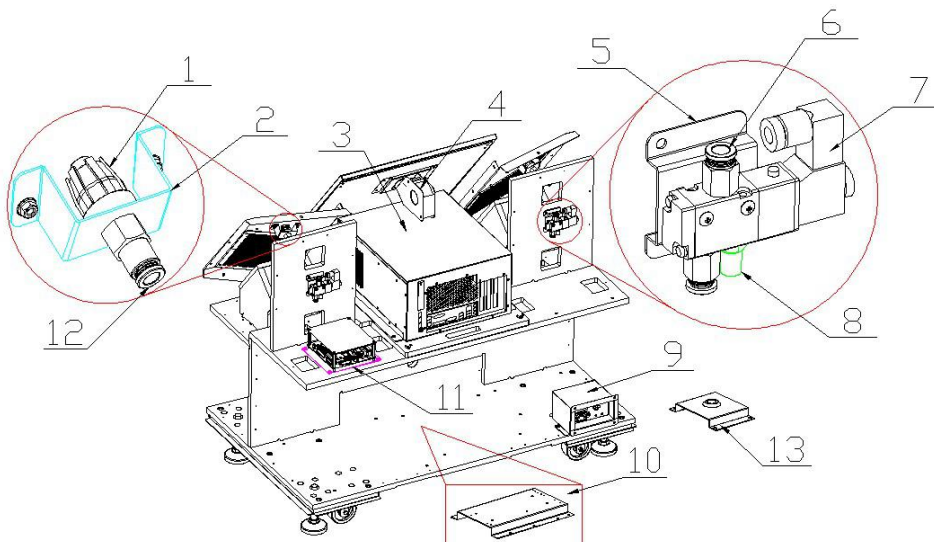


No.	Part No.	Code No.	Name	Qty
1	U110-408-000	25101030080	3 Port connector	1
2	U110-407-000	25106020194	8mm pipe	1500mm(59.05in)
3	U110-136-000	20641801054	Protective angle	1



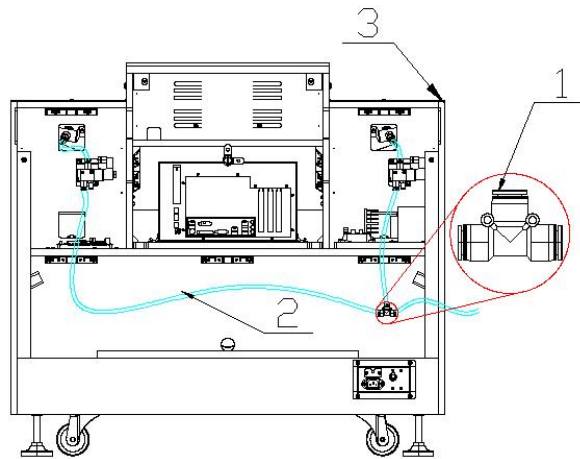
No.	Part No.	Code No.	Name	Qty
1	U110-134-000	20241801036	1P Decoration plate(horizontal)	1
2	U110-720-000	20541801004	1P Upper decal	1
3	U110-131-000	20241801033	Monitor support plate	2
4	U110-135-000	20241801037	1P Decoration plate(vertical)	1
5	U110-721-000	20541801005	1P Side decal	1
6	U110-719-000	20541801003	R jet decal	1
7	U110-133-000	20241801035	R side plate	1
8	U110-121-000	20241801214	Speaker plate	2
9	U110-123-000	20241801030A	R speaker plate	1
10	U110-127-000	20241801216	Speaker net(small)	1
11	U110-126-000	20241801215	Speaker net(big)	1
12	U110-124-000	20241801031	Middle cabinet frame	1
13	U110-120-000	20241801029A	L speaker plate	1

No.	Part No.	Code No.	Name	Qty
14	U110-717-000	20541801001	Blower decal	1
	U110-130-000	20641801047	Blower acrylic	1
15	U110-132-000	20241801034	L side plate	1
16	U110-718-000	20541801002	L jet decal	1
17	U110-125-000	20241801219	Blower net plate	1

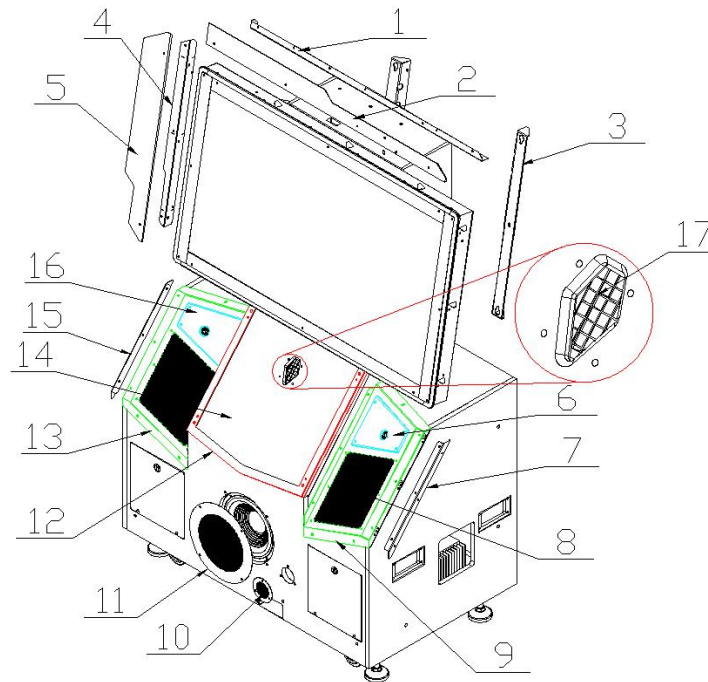


No.	Part No.	Code No.	Name	Qty
1	U110-406-000	25101100065	Jet nozzle	2
2	U110-122-000	20241801163	Jet nozzle plate	2
3	U110-453-000	21107270009	PC	1
	U110-928-000	20241801224A	Video card pressing plate	1
4	U110-128-000	20241801032	Blower plate	1
5	U110-119-000	20241801161	Solenoid valve plate	2
6	U110-409-000	25101111001	8mm pipe	4
7	U110-404-000	25101120053	3 way 2 position solenoid valve	2
8	U110-405-000	25101170006	Cu silencer	2
9	U110-137-001	20241801162A	Wiring box	1
10	U110-138-000	26000001000D	Power supply plate	1
11	U110-129-000	20241801164	IO fixing plate	1
12	U110-410-000	25101113014	Connector (8 pipe)	2
13	U110-934-000	26000037000	Base plate	1

9.9 R Cabinet

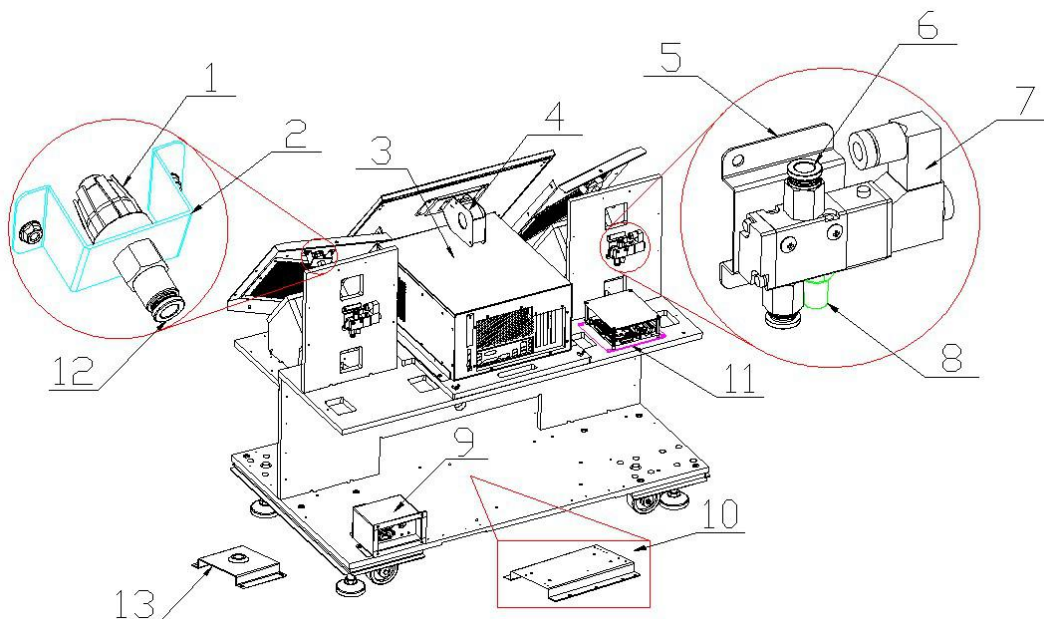


No.	Part No.	Code No.	Name	Qty
1	U110-408-000	25101030080	3 Port connector	1
2	U110-407-000	25106020194	8mm pipe	1500mm(59.05in)
3	U110-136-000	20641801054	Protective angle	1



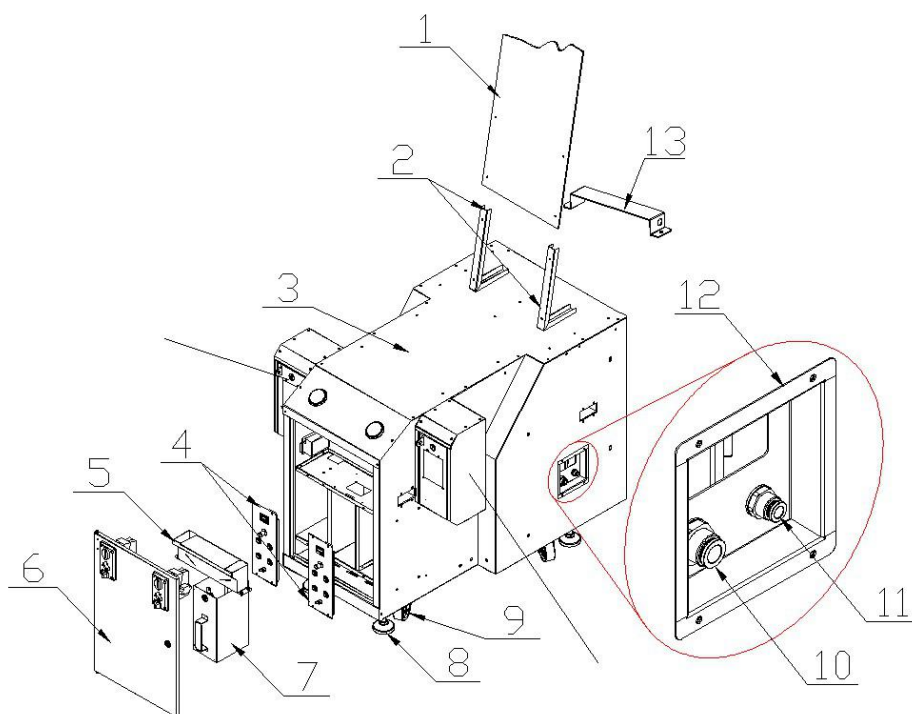
No.	Part No.	Code No.	Name	Qty
1	U110-139-000	20241801039	2P Decoration plate(horizontal)	1
2	U110-722-000	20541801006	2P Upper decal	1
3	U110-131-000	20241801033	Monitor support plate	2
4	U110-140-000	20241801040	2P Decoration plate(vertical)	1
5	U110-723-000	20541801007	2P Side decal	1
6	U110-719-000	20541801003	R jet decal	1
7	U110-133-000	20241801035	R side plate	1
8	U110-121-000	20241801214	Speaker plate	2
9	U110-123-000	20241801030A	R speaker plate	1
10	U110-127-000	20241801216	Speaker net(small)	1
11	U110-126-000	20241801215	Speaker net(big)	1

No.	Part No.	Code No.	Name	Qty
12	U110-124-000	20241801031	Middle cabinet frame	1
13	U110-120-000	20241801029A	L speaker plate	1
14	U110-717-000	20541801001	Blower decal	1
	U110-130-000	20641801047	Blower acrylic	1
15	U110-132-000	20241801034	L side plate	1
16	U110-718-000	20541801002	L jet decal	1
17	U110-125-000	20241801219	Blower net plate	1

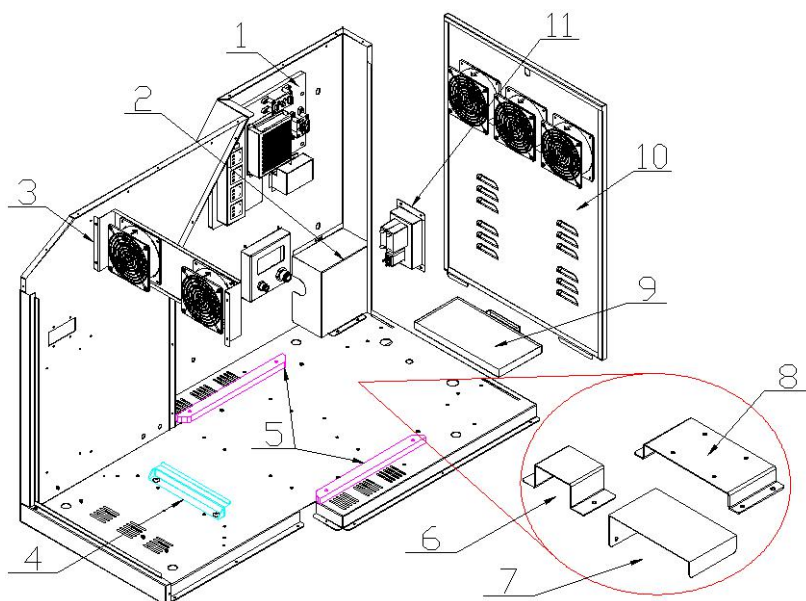


No.	Part No.	Code No.	Name	Qty
1	U110-406-000	25101100065	Jet nozzle	2
2	U110-122-000	20241801163	Jet nozzle plate	2
3	U110-453-000	21107270009	PC	1
	U110-928-000	20641801073	Video card pressing plate	1
4	U110-128-000	20241801032	Blower plate	1
5	U110-119-000	20241801161	Solenoid valve plate	2
6	U110-409-000	25101111001	8mm pipe	4
7	U110-404-000	25101120053	3 way 2 position solenoid valve	2
8	U110-405-000	25101170006	Cu silencer	2
9	U110-137-001	20241801162A	Wiring box	1
10	U110-138-000	26000001000D	Power supply plate	1
11	U110-129-000	20241801164	IO fixing plate	1
12	U110-410-000	25101113014	Connector (8 pipe)	2
13	U110-934-000	26000037000	Base plate	1

9.10 Air Compressor Cabinet

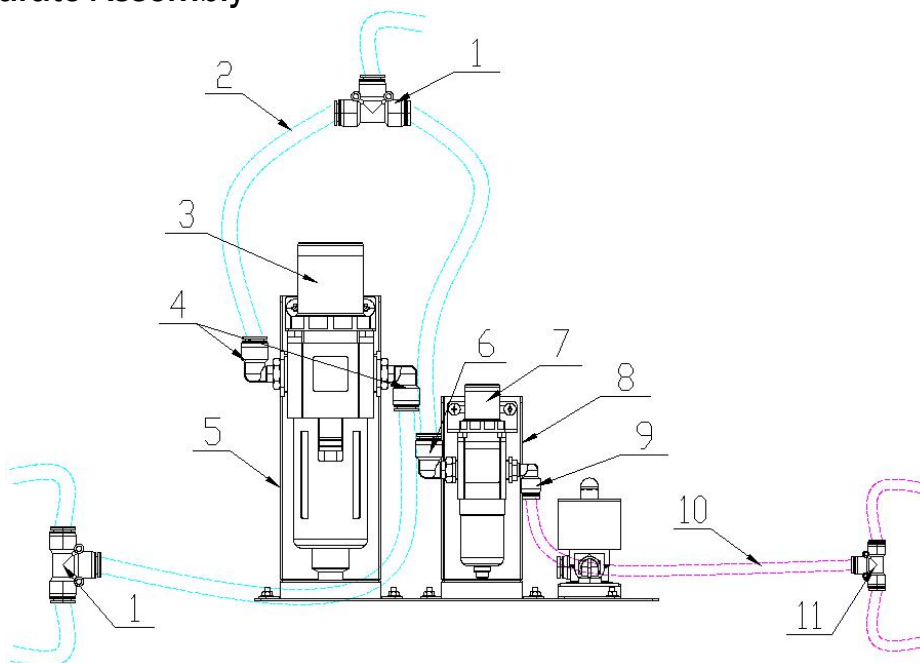


No.	Part No.	Code No.	Name	Qty
1	U110-702-001	20541801B006	Player Instruction plate	1
2	U110-154-000	20241801228	POP support plate	2
3	U110-159-002	20241801B001B	Cabinet box	1
4	U110-178-001	20241801072A	Setting plate	2
5	U110-160-001	20241801167A	Coin hopper	1
6	U110-179-002	20241801B016A	Cabinet front door	1
7	U110-427-000	25300172001	Lock	1
	U110-161-001	20241801171A	Coin box	1
8	U110-105-000	20241801026	Adjust metal plate	4
9	U110-401-000	25501000062	3" caster	4
10	U110-425-000	25101010203	Through-plate connect(APM12)	2
11	U110-426-000	25101010202	Through-plate connect(APM8)	2
12	U110-177-000	20241801071	Pipe connect plate	2
13	U110-937-000	20241801B018	Router pressing plate	1

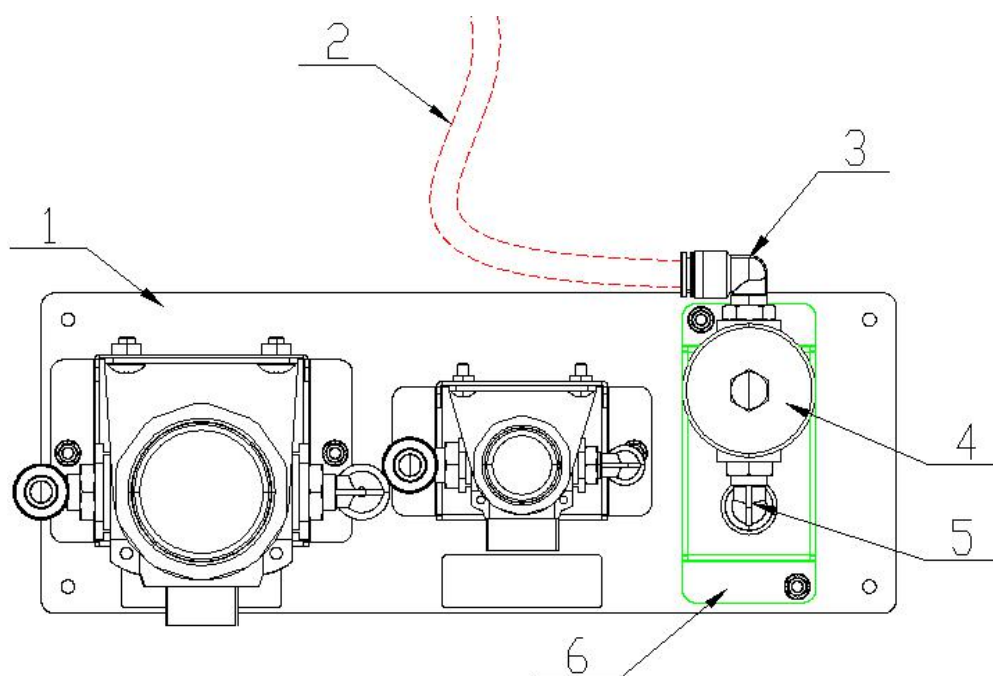


No.	Part No.	Code No.	Name	Qty
1	U110-534-000	20341801B033	Circuit board	1
2	U110-176-000	20641801041	Dust-free cover	1
3	U110-163-000	20241801173	Fan fixing plate	1
4	U110-162-000	20241801172	Blower limited plate	1
5	U110-533-000	20341801B010	Blower side board	2
6	U110-184-000	20211605043	Power supply fixing plate	2
7	U110-183-000	20641801072	Relay cover	1
8	U110-182-000	20641801071	Relay mounting plate	1
9	U110-174-000	20641801056	Foam	1
	U110-173-000	20241801069	Water received plate	1
10	U110-180-002	20241801B017A	Cabinet back door	1
	U110-403-000	25300171001	Lock	1
11	U110-175-001	20241801070A	Electrical component bracket	1

9.11 Separate Assembly

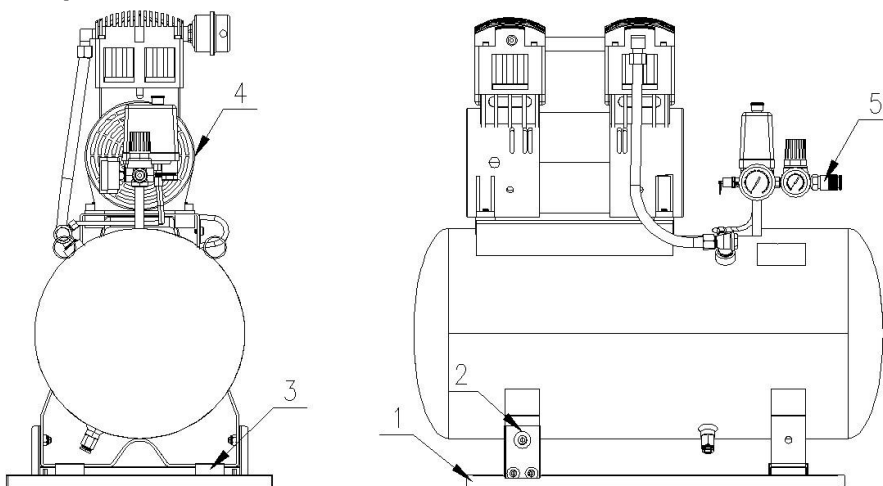


No.	Part No.	Code No.	Name	Qty
1	U110-536-000	25101034008	T-connector(12mm)	2
2	U110-423-000	25106020196	PU pipe	1860mm(73.22in)
3	U110-415-000	25101130074	Filter regulator	1
4	U110-419-000	25101113012	Connector(12mm pipe)	2
5	U110-170-000	20241801174	Filter plate(L)	1
6	U110-413-000	25101110058	12mm pipe	1
7	U110-416-000	25101130075	Filter regulator	1
8	U110-171-001	20241801175B	Filter plate(S)	1
9	U110-420-000	25101110132	8mm pipe(1/4)	1
10	U110-407-000	25106020194	8mm pipe	940mm(37.00in)
11	U110-535-000	25101034007	T-connector(8mm)	1



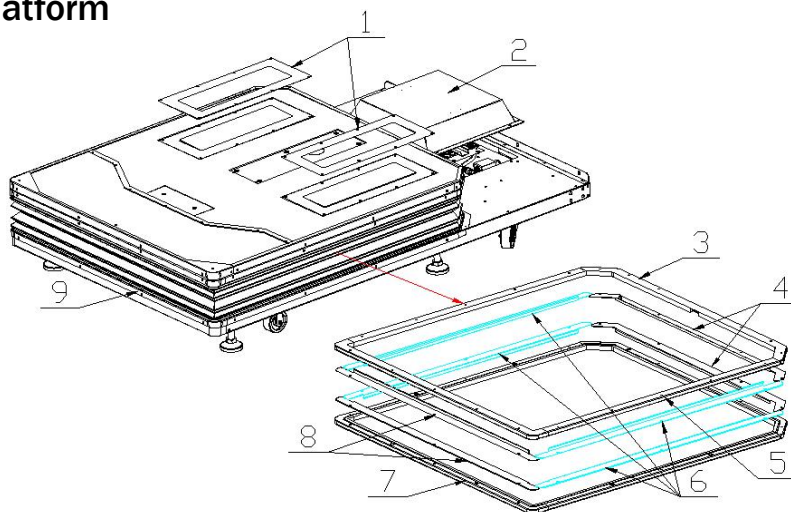
No.	Part No.	Code No.	Name	Qty
1	U110-169-000	20241801068	Filter base plate	1
2	U110-424-000	25106020195	10mm pipe	400mm(15.74in)
3	U110-421-000	25101113011	Connector(10mm pipe)	1
4	U110-417-000	25101123010	Fluid control valve	1
5	U110-422-000	25101123008	Speed throttle valve	1
6	U110-172-000	20241801176	Drain valve plate	1

9.12 Air Compressor



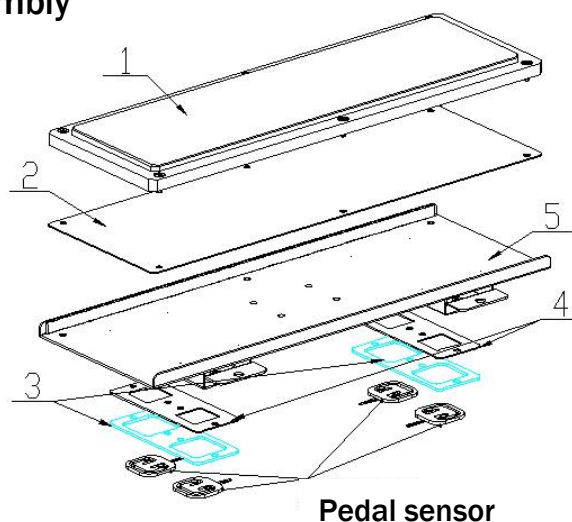
No.	Part No.	Code No.	Name	Qty
1	U110-165-001	20241801065A	Blower fixing plate	1
2	U110-166-000	20241801066	Blower locking plate	2
3	U110-167-000	20241801067	Blower pressing plate	2
4	U110-451-001	40611010199	Air compressor(For 220V)	1
	U110-452-001	40611010200	Air compressor(For 110V)	1
5	U110-413-000	25101110058	12mm pipe	1

9.13 Motion Platform



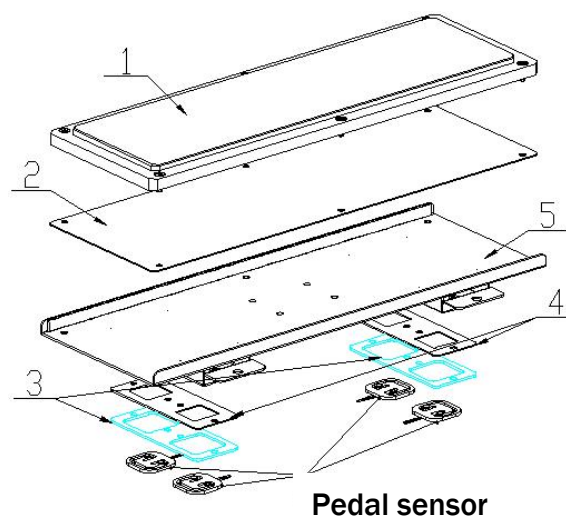
No.	Part No.	Code No.	Name	Qty
1	U110-232-000	20241801111	Pedal sensor cover	2×2
2	U110-233-000	20241801016	Cover plate	1×2
3	U110-237-000	20641801014	Platform front plastic	2×2
4	U110-235-000	20241801115	Pressing plate 2	2×2
5	U110-239-000	20641801016	Platform side plastic	4×2
6	U110-234-000	20241801114	Pressing plate 1	4×2
7	U110-238-000	20641801015	Platform back plastic	2×2
8	U110-236-000	20241801116	Pressing plate 3	2×2
9	U110-240-000	20641801051	Skirt	1×2

9.14 R Pedal Assembly



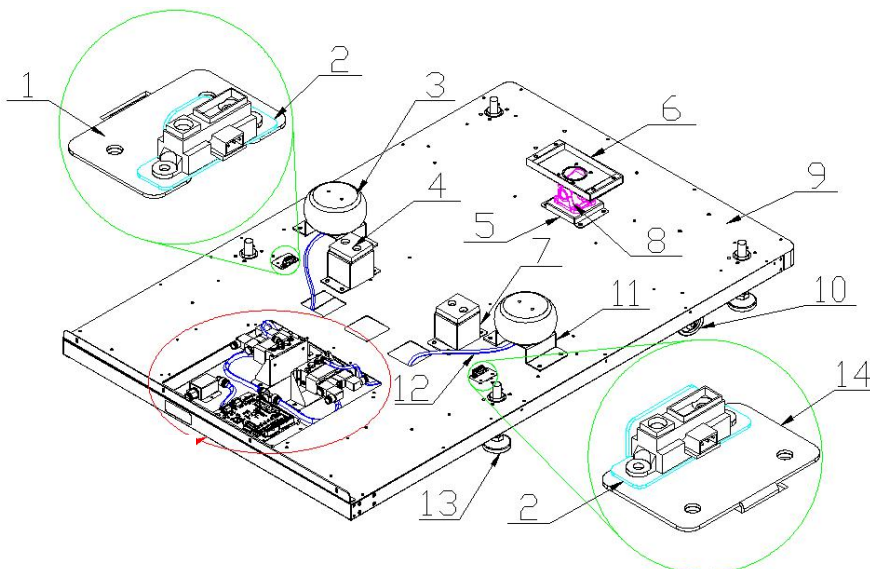
No.	Part No.	Code No.	Name	Qty
1	U110-725-000	20541801010	Pedal plastic R	1×2
2	U110-218-000	20641801048	Pedal acrylic	1×2
3	U110-217-000	20641801035	Pedal POM	2×2
4	U110-216-000	20641801059	Pedal PVC	2×2
5	U110-215-000	20241801015	Sensor support plate	1×2

9.15 L Pedal Assembly

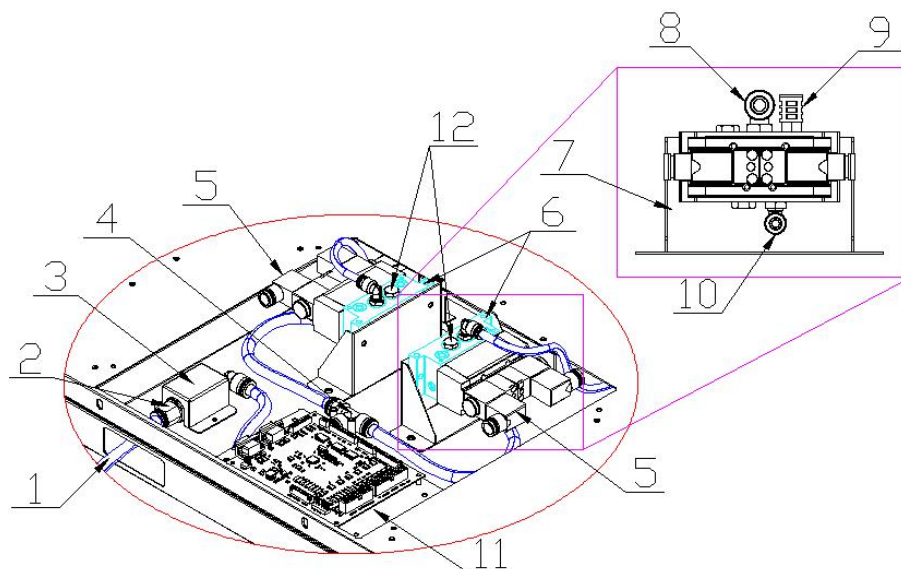


No.	Part No.	Code No.	Name	Qty
1	U110-724-000	20541801009	Pedal plastic L	1×2
2	U110-218-000	20641801048	Pedal acrylic	1×2
3	U110-217-000	20641801035	Pedal POM	2×2
4	U110-216-000	20641801059	Pedal PVC	2×2
5	U110-215-000	20241801015	Sensor support plate	1×2

9.16 Base Plate Assembly

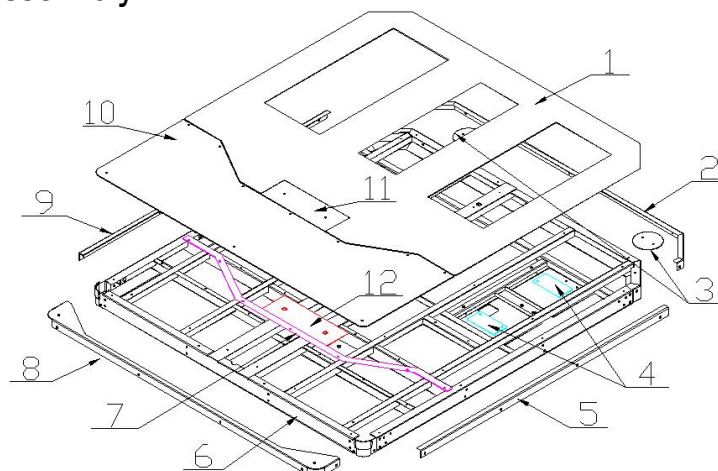


No.	Part No.	Code No.	Name	Qty
1	U110-198-000	20241801180	Sensor plate 2	1×2
2	U110-196-000	20641801042	Sensor pin	2×2
3	U110-433-000	25101211001	Spring	2×2
4	U110-201-000	20641801033	Limited mat	2×2
5	U110-203-000	20241801091	Universal coupling base plate	1×2
6	U110-202-000	20241801090	Universal coupling bracket	1×2
7	U110-200-000	20241801089	Limited plate	2×2
8	U110-435-000	20117000303	Universal coupling	1×2
9	U110-192-001	20241801008A	Base bracket	1×2
10	U110-401-000	25501000062	3" caster	4×2
11	U110-199-000	20241801088	Spring plate	2×2
12	U110-407-000	25106020194	8mm pipe	1300mm×2 (51.18in×2)
13	U110-434-000	25100010005	Support leg	4×2
14	U110-197-000	20241801179	Sensor plate 1	1×2



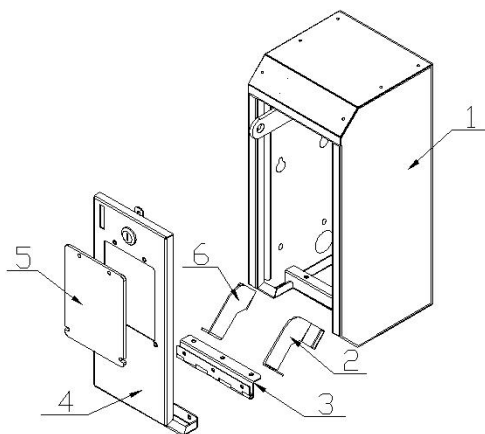
No.	Part No.	Code No.	Name	Qty
1	U110-423-000	25106020196	PU pipe	1000mm×2(39.37in×2)
2	U110-429-000	25101113017	12mm pipe(1/4)	1×2
3	U110-428-000	25101123009	One-way valve	1×2
	U110-194-000	20241801178	One-way valve fixing plate	1×2
4	U110-418-000	25101034006	T type 3 port	1×2
5	U110-431-000	25101120055	5 way 3 position solenoid valve	2×2
6	U110-436-000	25101120056	Solenoid valve base plate	2×2
7	U110-195-000	20241801087	Solenoid valve plate	2×2
8	U110-413-000	25101110058	12mm pipe	3×2
9	U110-432-000	25101170007	Silencer	2×2
10	U110-420-000	25101110132	8mm pipe(1/4)	4×2
11	U110-193-000	20241801177	IO board protect plate	1×2
12	U110-430-000	25101180001	8 plug	4×2

9.17 Platform Assembly



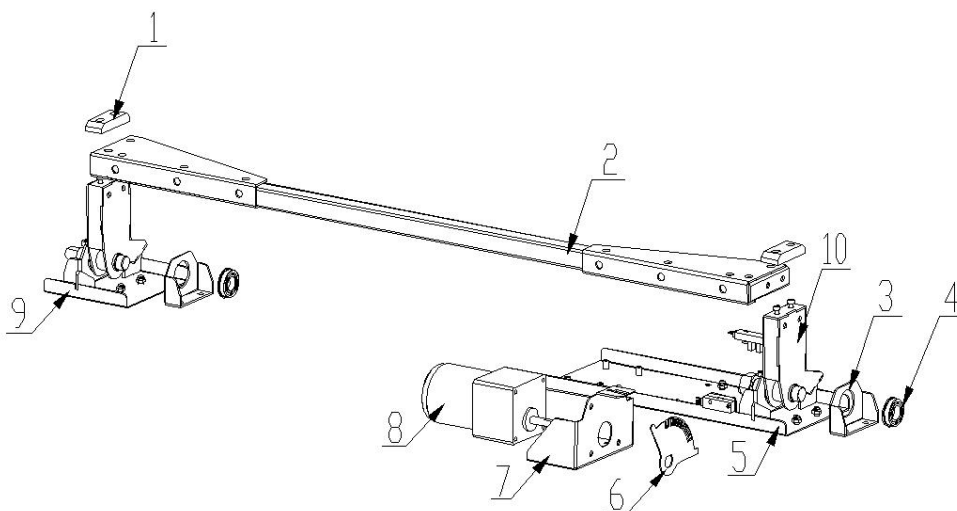
No.	Part No.	Code No.	Name	Qty
1	U110-207-000	20641801043	Mat	1×2
2	U110-208-000	20241801103	Front plate	1×2
3	U110-205-001	20241801102A	Sensor block pin	2×2
4	U110-206-000	20641801034	Pedal pin	4×2
5	U110-210-000	20241801105	R plate	1×2
6	U110-204-000	20241801011	Upper plate	1×2
7	U110-212-000	20241801106	Mat pressing plate	1×2
8	U110-211-000	20241801014	Back plate	1×2
9	U110-209-000	20241801104	L plate	1×2
10	U110-743-000	20541801038	Base stainless steel	1×2
11	U110-213-000	20241801107	Upper cover plate	1×2
12	U110-214-000	20641801044	Upper cover mat	1×2

9.18 DBV Box



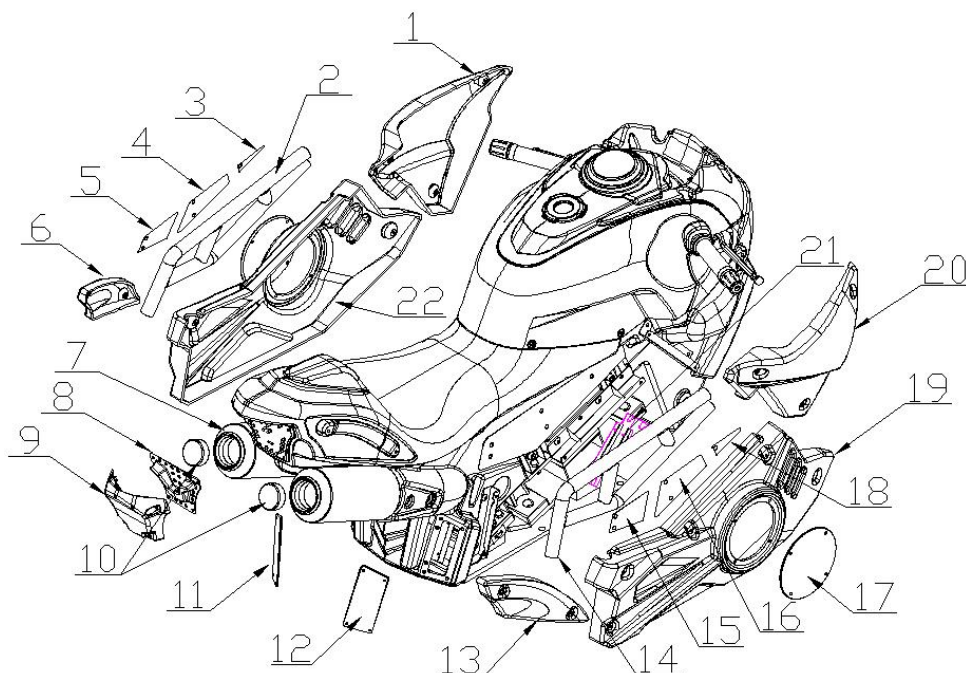
No.	Part No.	Code No.	Name	Qty
1	U110-185-002	20241801B007B	L DBV box	1
	U110-186-002	20241801B008B	R DBV box	1
2	U110-189-000	20241801B012	R hanger	2
3	U110-188-002	20241801B010B	DBV hinge	2
4	U110-187-002	20241801B009B	DBV door	2
5	U110-191-002	20241801B011B	DBV plate	2
6	U110-190-000	20241801B013	L hanger	2

9.19 Jack Mechanism



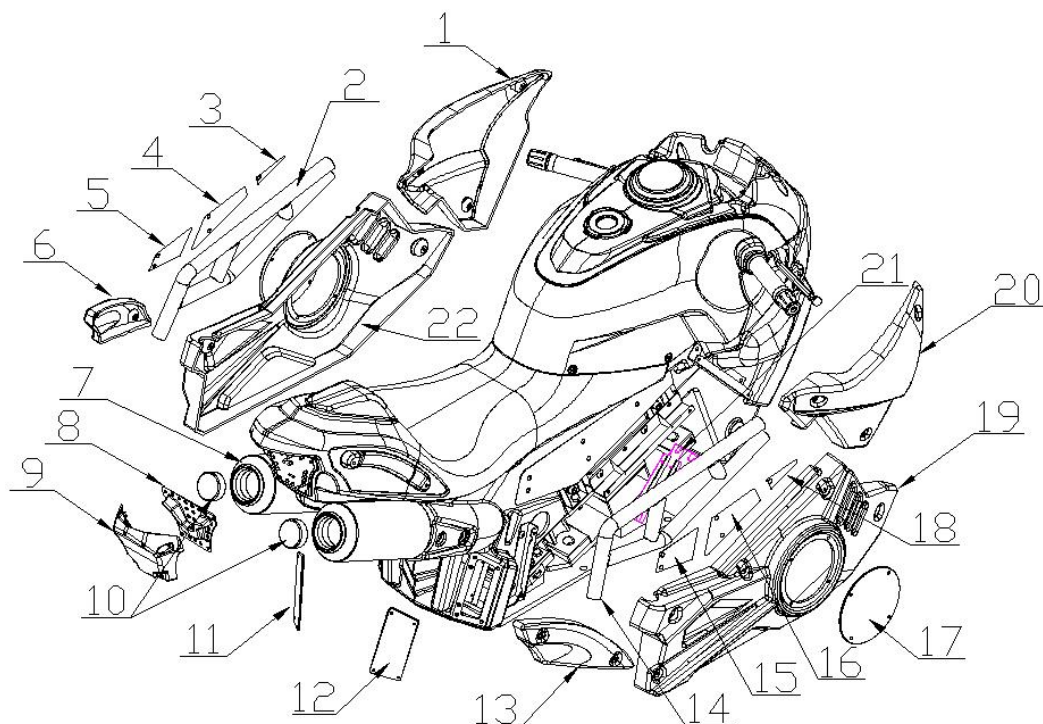
No.	Part No.	Code No.	Name	Qty
1	U110-225-001	20641801050A	Support PU	2×2
2	U110-931-000	20241801233	Horizontal rod plate	1×2
3	U110-222-001	20241801182A	Bearing bracket	1×2
4	U110-438-000	20106000334	Bearing	4×2
5	U110-929-000	20241801231	R side base plate	1×2
6	U110-226-001	20241801184A	Sensor plate	1×2
7	U110-229-001	20241801187A	Motor mounting plate	1×2
8	U110-439-001	23404000093	Motor	1×2
9	U110-930-000	20241801232	L side base plate	1×2
10	U110-224-001	20241801110A	Support bracket	2×2

9.20 Red Moto



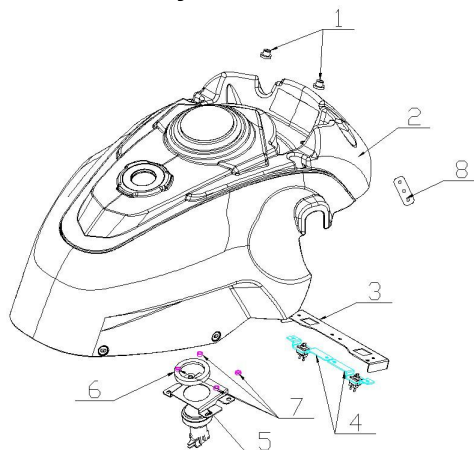
No.	Part No.	Code No.	Name	Qty
1	U110-297-000	20641801018	L front side cover	1
2	U110-907-000	20241801130	L side tube	1
3	U110-729-000	20541801014	L1 tube decal	1
4	U110-730-000	20541801015	L2 tube decal	1
5	U110-731-000	20541801016	L3 tube decal	1
6	U110-299-000	20641801020	L tail side cover	1
7	U110-910-000	20641801060	Pipe	2
8	U110-902-000	20641801022	Tail inside cover	1
9	U110-903-000	20641801058	Tail outside cover	1
10	U110-909-000	20641801037	Pipe plug	2
11	U110-727-000	20541801012	L tail plastic	1
12	U110-728-000	20541801013	R tail plastic	1
13	U110-901-000	20641801021	R tail side cover	1
14	U110-908-000	20241801131	R side tube	1
15	U110-734-000	20541801019	R3 tube decal	1
16	U110-733-000	20541801018	R2 tube decal	1
17	U110-726-000	20541801011	Side moto plastic	2
18	U110-732-000	20541801017	R1 tube decal	1
19	U110-905-000	20641801024	R middle side cover	1
20	U110-298-000	20641801019	R front side cover	1
21	U110-906-000	20241801213	Side round plate	2
22	U110-904-000	20641801023	L middle side cover	1

9.21 Blue Moto



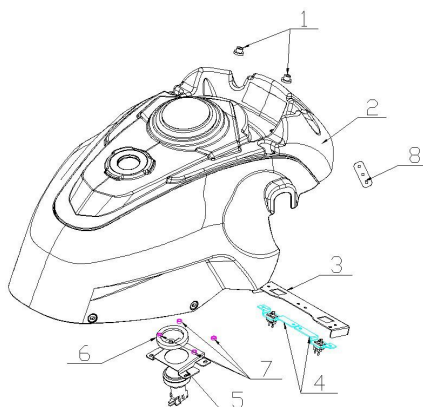
No.	Part No.	Code No.	Name	Qty
1	U110-297-000	20641801018	L front side cover	1
2	U110-914-000	20241801132	L side tube	1
3	U110-729-000	20541801014	L1 tube decal	1
4	U110-730-000	20541801015	L2 tube decal	1
5	U110-731-000	20541801016	L3 tube decal	1
6	U110-299-000	20641801020	L tail side cover	1
7	U110-910-000	20641801060	Pipe	2
8	U110-902-000	20641801022	Tail inside cover	1
9	U110-903-000	20641801058	Tail outside cover	1
10	U110-909-000	20641801037	Pipe plug	2
11	U110-727-000	20541801012	L tail plastic	1
12	U110-728-000	20541801013	R tail plastic	1
13	U110-901-000	20641801021	R tail side cover	1
14	U110-908-000	20241801131	R side tube	1
15	U110-734-000	20541801019	R3 tube decal	1
16	U110-733-000	20541801018	R2 tube decal	1
17	U110-726-000	20541801011	Side moto plastic	2
18	U110-732-000	20541801017	R1 tube decal	1
19	U110-905-000	20641801024	R middle side cover	1
20	U110-298-000	20641801019	R front side cover	1
21	U110-906-000	20241801213	Side round plate	2
22	U110-904-000	20641801023	L middle side cover	1

9.22 Red Moto Gas Cover Assembly



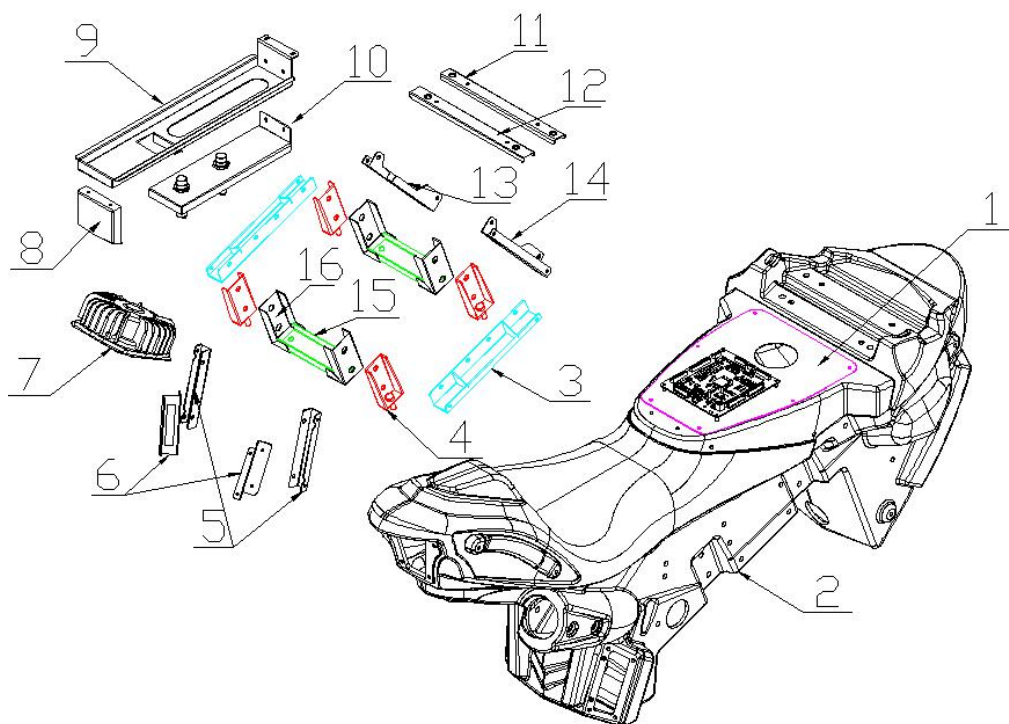
No.	Part No.	Code No.	Name	Qty
1	U110-267-000	20641801052	Sensor cover	2
2	U110-264-000	20641801017	Gas cover	1
3	U110-265-000	20241801193	Connective plate	1
4	U110-266-000	20241801194	SW pressing plate	2
5	U110-268-000	20241801195	STOP button plate	1
6	U110-269-000	20641801036	Button POM ring	1
7	U110-270-000	20241801230	Sleeve cover	4
8	U110-932-000	20241801234	Lock knob	1

9.23 Blue Moto Gas Cover Assembly



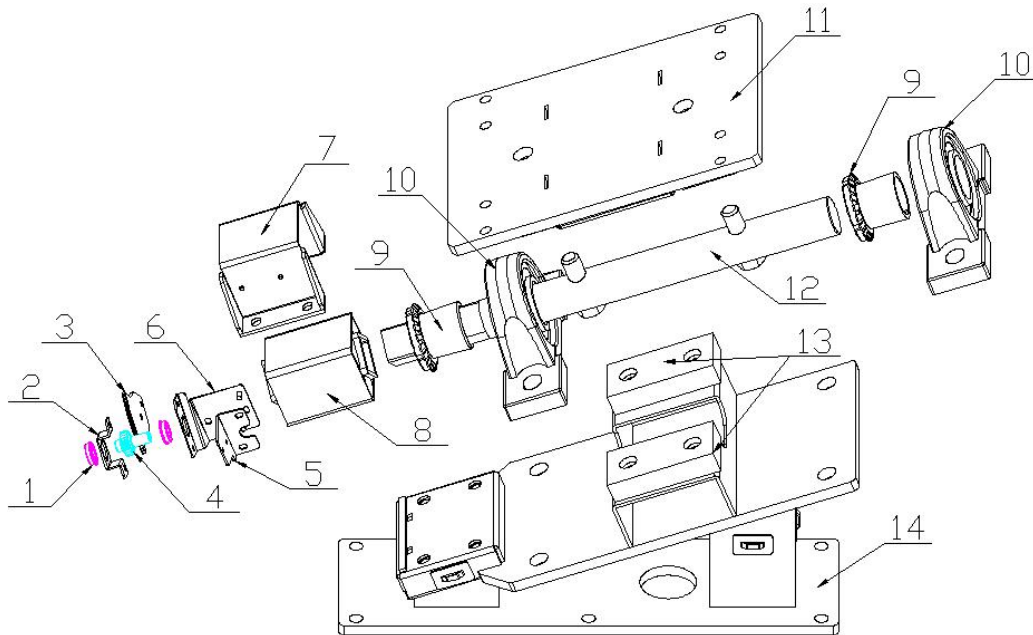
No.	Part No.	Code No.	Name	Qty
1	U110-267-000	20641801052	Sensor cover	1
2	U110-264-000	20641801017	Gas cover	1
3	U110-265-000	20241801193	Connective plate	1
4	U110-266-000	20241801194	SW pressing plate	2
5	U110-268-000	20241801195	STOP button plate	1
6	U110-269-000	20641801036	Button POM ring	1
7	U110-270-000	20241801230	Sleeve cover	4
8	U110-932-000	20241801234	Lock knob	1

9.24 Moto Body Assembly



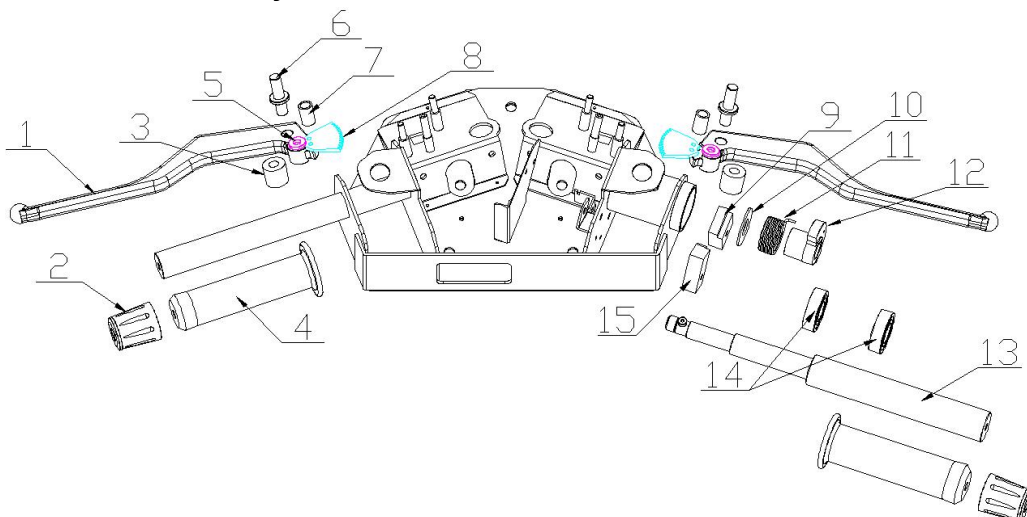
No.	Part No.	Code No.	Name	Qty
1	U110-292-000	20241801208	PCB fixing plate	1×2
2	U110-281-000	20641801057	Moto body	1×2
3	U110-285-000	20241801202	Middle cover fixing plate	2×2
4	U110-287-000	20241801129	Body outside fixing plate	4×2
5	U110-286-000	20241801203	Back cover fixing plate	2×2
6	U110-282-000	20241801199	Back light fixing plate	2×2
7	U110-293-000	20241801209	Shaking speaker plate	1×2
8	U110-295-000	20241801211	Sensor mounting bracket 2	1×2
9	U110-294-000	20241801210	Sensor mounting bracket 1	1×2
10	U110-296-000	20241801212	Sensor mounting plate	1×2
11	U110-291-000	20241801207	Body long plate	1×2
12	U110-290-000	20241801206	Body short plate	1×2
13	U110-283-000	20241801200	Front L cover fixing plate	1×2
14	U110-284-000	20241801201	Front R cover fixing plate	1×2
15	U110-289-000	20241801205	Body short pressing plate	2×2
16	U110-288-000	20241801204	Body inside fixing plate(Middle)	4×2

9.25 Shaking Assembly

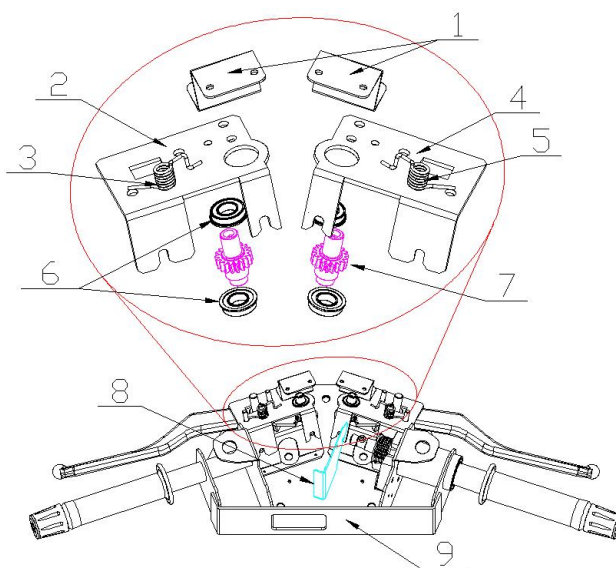


No.	Part No.	Code No.	Name	Qty
1	U110-443-000	20106000108	Bearing	2×2
2	U110-277-000	20241801197	Pressing plate	1×2
3	U110-275-000	20241801150	Wheel gear pin	1×2
4	U110-279-000	20241801151	Wheel gear	1×2
5	U110-278-000	20241801198	Sensor supporting plate	1×2
6	U110-276-000	20241801196	Fixing plate	1×2
7	U110-273-000	20241801126	Buffer pressing plate	1×2
8	U110-446-000	20640835007	Bounce bracket(buffer)	1×2
9	U110-448-000	20106130504	Tighten cover	2×2
10	U110-447-000	20106130503	Bearing	2×2
11	U110-280-000	20241801127	Top plate	1×2
12	U110-272-000	20241801149	Shaking axle	1×2
13	U110-274-000	20641801030	Buffer block	2×2
14	U110-271-000	20241801018	Base plate	1×2

9.26 Handle Assembly

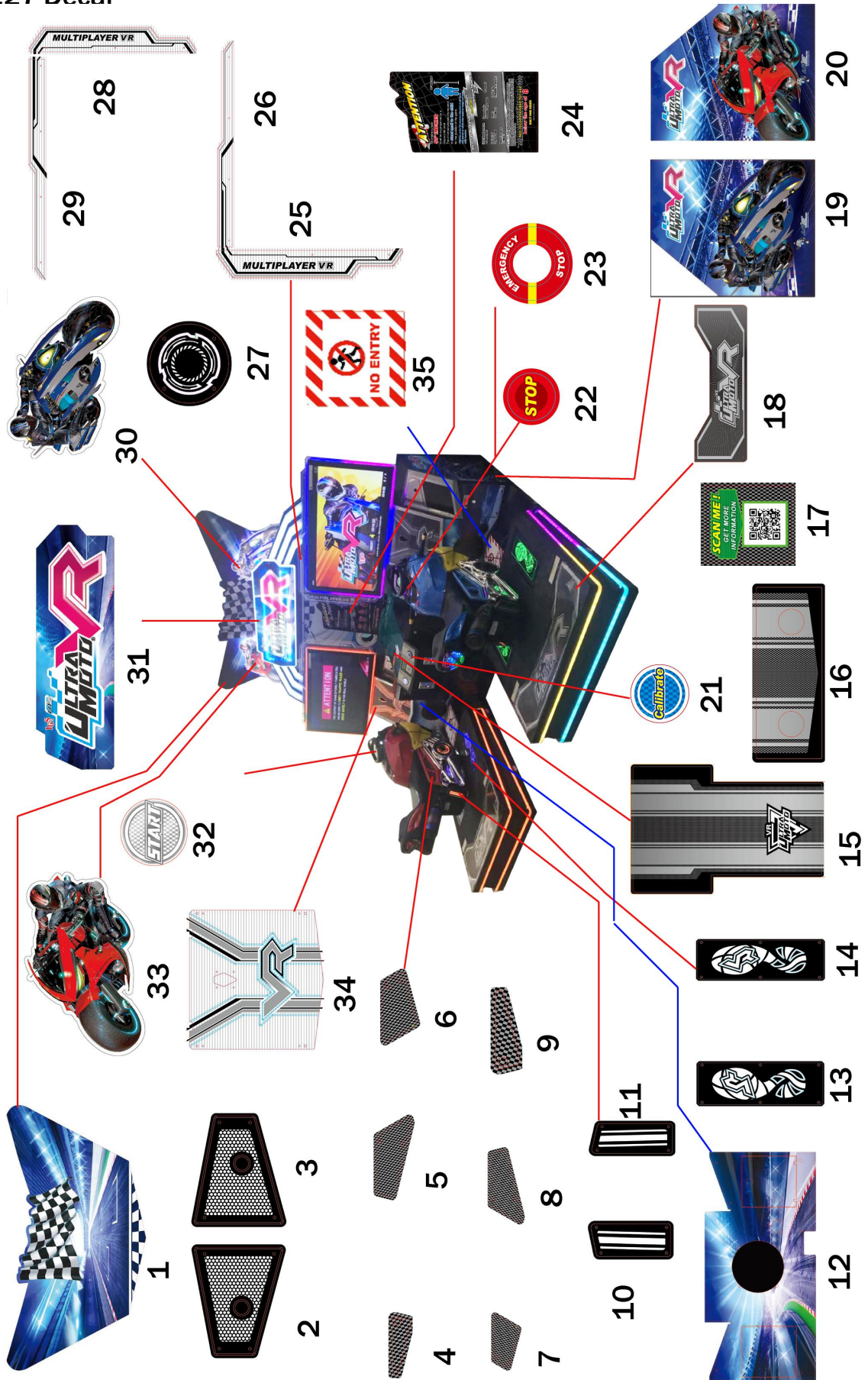


No.	Part No.	Code No.	Name	Qty
1	U110-263-000	20241801218	Aluminum handle	2×2
2	U110-445-000	25102000044	Handle cap	2×2
3	U110-260-000	20641801032	Handle rubber 2	2×2
4	U110-444-000	25102000037	Handle protective rubber	2×2
5	U110-261-000	20241801217	Washer	2×2
6	U110-258-000	20641801031	Handle rubber 1	2×2
7	U110-259-000	20241801147	Handle column	2×2
8	U110-256-000	20241801145	L&R gear pin	2×2
9	U110-244-000	20641801028	R handle front rubber	1×2
10	U110-247-000	20241801188	Spring pin	1×2
11	U110-248-000	20241801153	R handle spring	1×2
12	U110-246-000	20241801122	Handle plate	1×2
	U110-262-000	20241801148	Flat ket B type	1×2
13	U110-249-000	20241801135	R handle	1×2
14	U110-442-000	20106000081	Bearing	2×2
15	U110-245-000	20641801029	R handle back rubber	×2



No.	Part No.	Code No.	Name	Qty
1	U110-254-000	20241801192	Front sensor plate	2×2
2	U110-251-000	20241801190	L gear plate	1×2
3	U110-252-000	20241801154	L brake spring	1×2
4	U110-253-000	20241801191	R gear plate	1×2
5	U110-255-000	20241801155	R brake spring	1×2
6	U110-443-000	20106000108	Bearing	4×2
7	U110-257-000	20241801146	L&R wheel pin	2×2
8	U110-250-000	20241801189	Middle sensor bracket	2×2
9	U110-243-000	20241801017	Moto head plate	2×2

9.27 Decal



No.	Part No.	Code No.	Name	Qty
1	U110-737-000	20541801023	Top POP plastic	1
2	U110-718-000	20541801002	L jet decal	2
3	U110-719-000	20541801003	R jet decal	2
4	U110-729-000	20541801014	L1 tube decal	2
5	U110-730-000	20541801015	L2 tube decal	2
6	U110-731-000	20541801016	L3 tube decal	2
7	U110-734-000	20541801019	R3 tube decal	2
8	U110-733-000	20541801018	R2 tube decal	2
9	U110-732-000	20541801017	R1 tube decal	2
10	U110-727-000	20541801012	L tail plastic	2
11	U110-728-000	20541801013	R tail plastic	2
12	U110-708-000	20541801A010	Front decal	2
13	U110-724-000	20541801009	Pedal plastic L	2
14	U110-725-000	20541801010	Pedal plastic R	2
15	U110-741-001	20541801028A	Middle top PVC decal	1
16	U110-742-001	20541801029A	Middle calibrate PVC decal	1
17	U110-705-000	20541801A006	QR code decal	1
18	U110-743-000	20541801038	Base stainless steel	2
19	U110-707-000	20541801A009	R side decal	1
20	U110-709-000	20541801A011	L side decal	1
21	U110-740-000	20541801027	Calibrate decal	2
22	U110-739-000	20541801025	Stop decal	2
23	U110-703-000	20541801A003	STOP button decal	2
24	U110-702-000	20541801A002	Player Instruction plate	1
25	U110-723-000	20541801007	2P Side decal	1
26	U110-722-000	20541801006	2P Upper decal	1
27	U110-726-000	20541801011	Side moto plastic	4
28	U110-721-000	20541801005	1P Side decal	1
29	U110-720-000	20541801004	1P Upper decal	1
30	U110-736-000	20541801022	R moto plastic	1
31	U110-701-000	20541801A001	Marquee plastic	1
32	U110-738-000	20541801024	Start decal	2
33	U110-735-000	20541801021	L moto plastic	1
34	U110-717-000	20541801001	Blower decal	1
35	U110-715-000	20541801B004	Stop stepping decal	2

No.	Part No.	Code No.	Name	Qty
1	U110-716-000	20541801B005	Air compressor decal	1
2	U110-714-000	20541801B003	Warning decal	1
3	U110-710-001	20541801A012A	PC instruction	2
4	U110-706-001	20541801A008A	Wiring decal	1
5	U110-753-000	20541801A017	Headset instruction	2
6	U110-713-000	20541801B002	220V nameplate	1
7	U110-712-000	20541801B001	110V nameplate	1
8	U110-704-001	20541801A005A	Counter decal	2
9	U110-751-000	25600000096A	Service label(S)	1
10	U110-746-000	25600000042A	Service label 1	1
11	U110-747-000	25600000067A	Service label	1
12	U110-750-000	25600000095A	Service label(L)	1
13	U110-745-000	25600000036	High voltage label	4
14	U110-749-000	25600000072	220V label	3
15	U110-748-000	25600000071	110V label	3
16	U110-744-000	25600000017	SW decal	3
17	U110-752-000	20541801A016	Fuse decal	1

9.28 Electrical Component



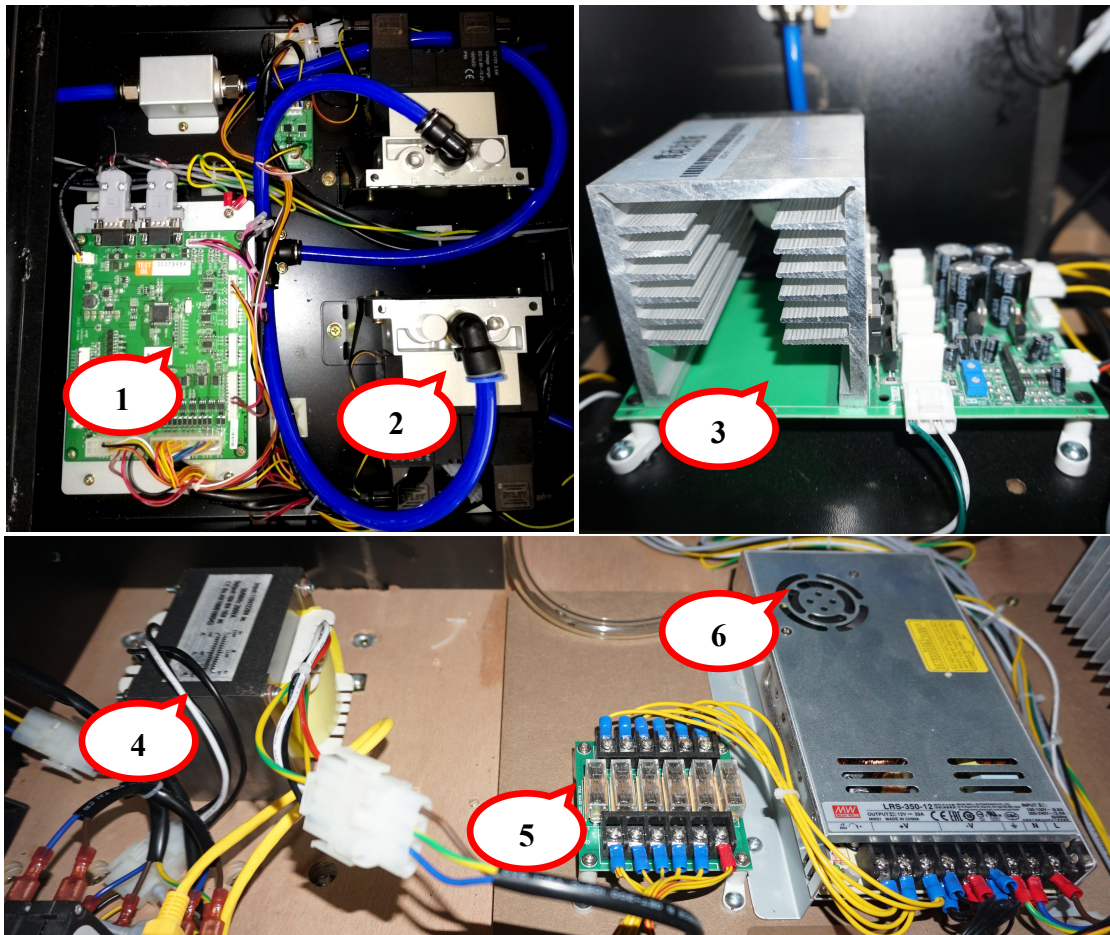
No.	Part No.	Code No.	Name	Qty
1	U110-466-000	22002015021	BG5050RGB light strip	1650mm×2(64.96in×2)
2	U110-604-000	22002015019	BG5050W light strip	6150mm(242.12in)
3	U110-470-000	21201043003	43" monitor	2
	U110-475-001	23307050011	DVI cable	2
	U110-469-000	23301018002	Power cord	2
4	U110-485-000	22002019001	LPD6803S light strip	3150mm×2(124.01in×2)
5	U110-466-000	22002015021	BG5050RGB light strip	400mm×2(15.74in×2)
6	U110-454-000	21107280008	VR headset	2
7	U110-462-000	22002018002	RX3535RGB light strip	400mm×2(15.7in×2)
8	U110-485-000	22002019001	LPD6803S light strip	3900mm×4(153.54in×4)
9	U110-467-000	22301000002	Coin mechanism	2
10	U110-601-000	29741801012	Tail light PCB	2
11	U110-606-000	22401000006	Middle button	2
	U110-608-000	22003000018	LED light bulb	2
	U110-495-000	22604000006	Mirco SW	2
12	U110-602-000	22801000037	Speaker	4
13	U110-472-000	23401000047	Blower	2
14	U110-406-000	25101100065	Jet nozzle	4
15	U110-466-000	22002015021	BG5050RGB light strip	200mm×4(7.87in×4)
16	U110-466-000	22002015021	BG5050RGB light strip	100mm×4(3.93in×4)



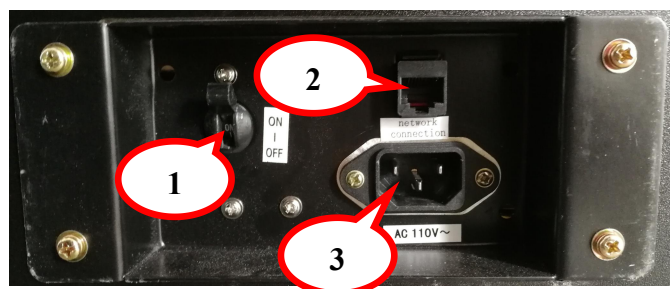
No.	Part No.	Code No.	Name	Qty
1	U110-806-000	21108000009	Router	1
2	U110-612-000	22702010033	Fan(for 220V)	2
	U110-610-000	22702010032	Fan(for 110V)	2
	U110-482-000	22702000010	Fan net	4
3	U110-492-000	22702010025	DC fan	3×2
	U110-482-000	22702000010	Fan net	6×2
4	U110-612-000	22702010033	Fan(for 220V)	3
	U110-610-000	22702010032	Fan(for 110V)	3
	U110-482-000	22702000010	Fan net	6
5	U110-613-000	26601090485	Chassis assembly of 43" monitor	1
6	U110-614-000	26601090486	Power board	1
7	U110-615-000	26601090487	Drive board	1
8	U110-616-000	26601090488	Key board	1



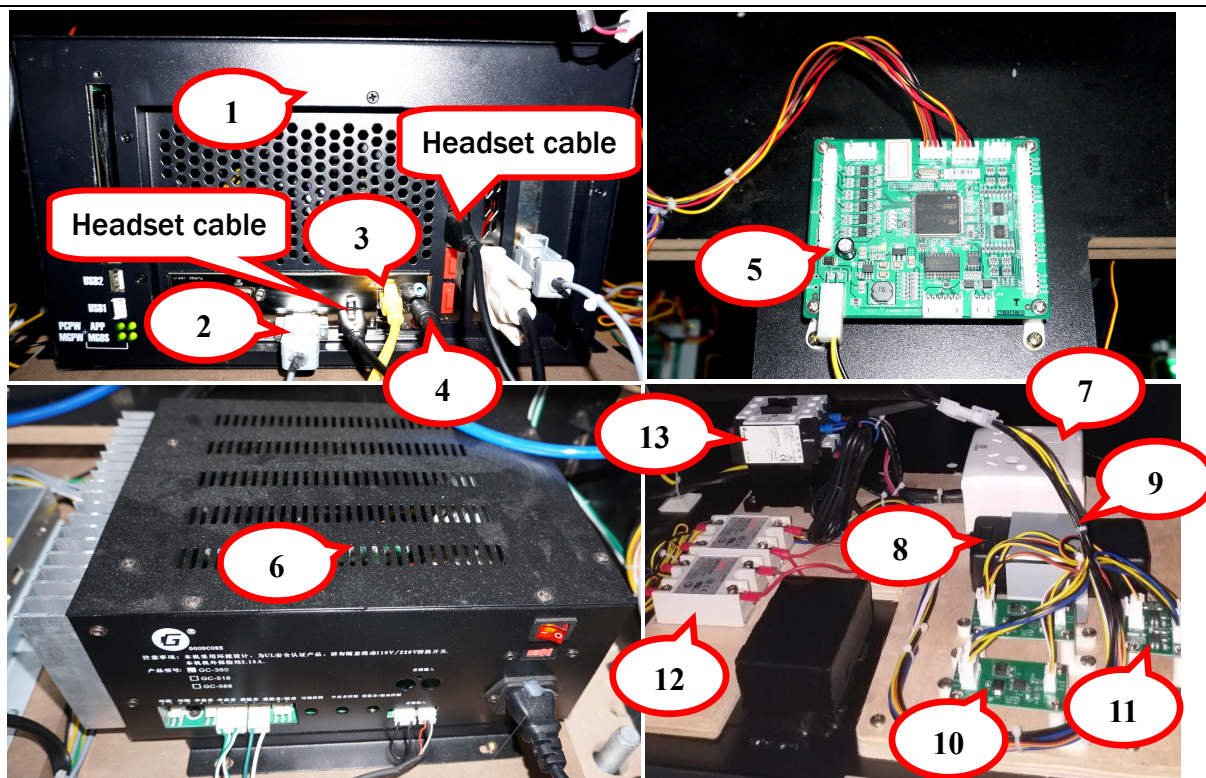
No.	Part No.	Code No.	Name	Qty
1	U110-479-000	22606030004	Sensor Switch	2×2
	U110-481-000	22401150012	White button	1×2
2	U110-608-000	22003000018	LED light bulb	1×2
	U110-495-000	22604000006	Mirco SW	1×2
3	U110-487-000	22401250003	Middle button(with light)	1×2



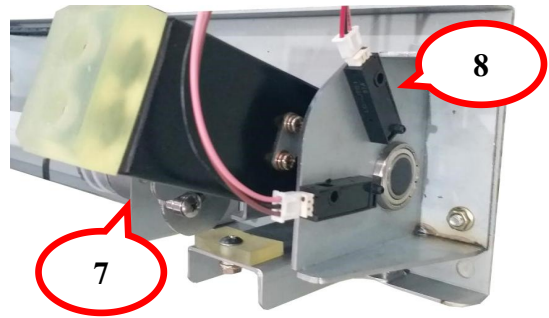
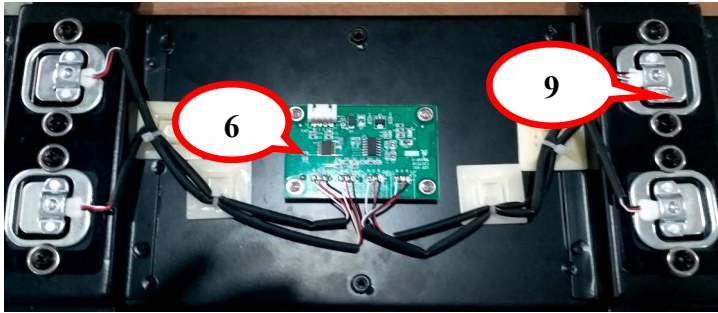
No.	Part No.	Code No.	Name	Qty
1	U110-922-000	20741801005	IO control board	1×2
2	U110-404-000	25101120053	3 way 2 position solenoid valve	2×2
3	U110-484-000	22803010016	Amplifier	1×2
4	U110-455-000	21601000093	Transformer	1×2
5	U110-473-000	21714000148D	Fuse board(green holder)	1×2
6	U110-471-000	21602000117	Power supply	1×2



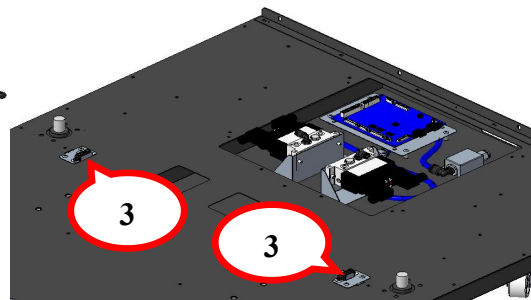
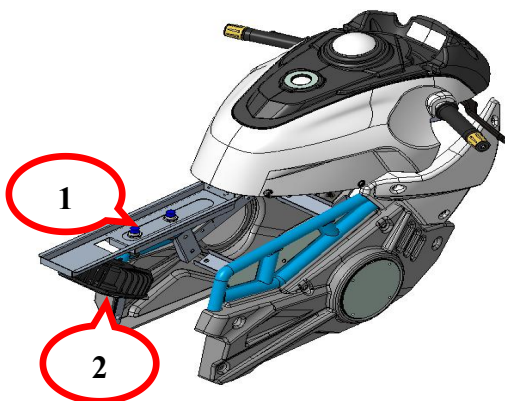
No.	Part No.	Code No.	Name	Qty
1	U110-486-000	22601000076	Circuit breaker	1×2
2	U110-497-000	23302000001	Network port	1×2
3	U110-477-000	23201000001A	Filter	1×2



No.	Part No.	Code No.	Name	Qty
1	U110-453-000	21107270009	PC shell(with power supply and fan)	1×2
	U110-918-000	26601101670	Mainboard	1×2
	U110-919-000	26601101672	CPU	1×2
	U110-920-000	26601101673	RAM	1×2
	U110-925-000	26601101674	Video card	1×2
	U110-926-000	26601101675	Protect board	1×2
	U110-927-000	26601101676	SSD Hard Disk	1×2
	U110-921-000	20741801004	Cable set	1×2
	U110-468-000	23301018004	Power cord	1×2
2	U110-603-000	23303000017	Cable	8
3	U110-496-000	23302000014	Network cable	1×2
4	U110-461-000	23305000006	Audio cable	1
5	U110-605-000	29711410001	PCB	1
6	U110-476-000	22803000011	2.2 Amplifier	1×2
	U110-469-000	23301018002	Power cord	1×2
7	U110-457-000	21606060001	Socket box	1
	U110-458-000	21606000010A	Socket	1
8	U110-489-000	21603000027	AC adapter	1
9	U110-607-000	23309000331	Cable set	2
10	U110-498-000	29741801011	NMOS PCB	2
11	U110-499-000	29741801010	Air compressor PCB	1
13	U110-464-000	22140000043	Relay	2
	U110-611-000	22605000058	AC contactor(220V)	1
	U110-609-000	22605000059	AC contactor(110V)	1

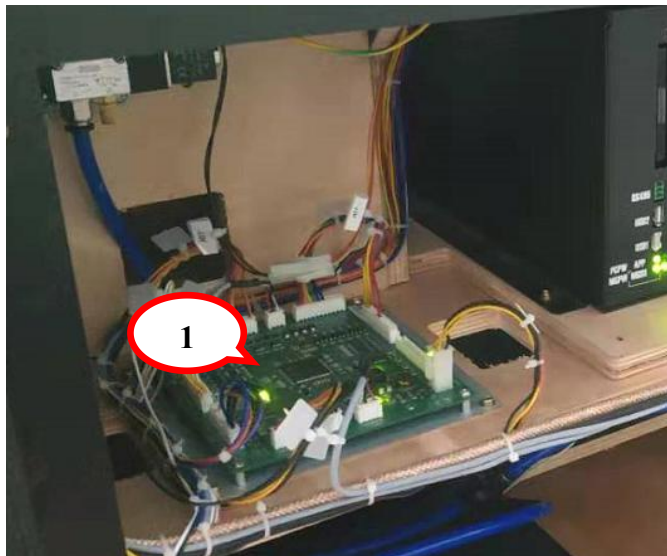
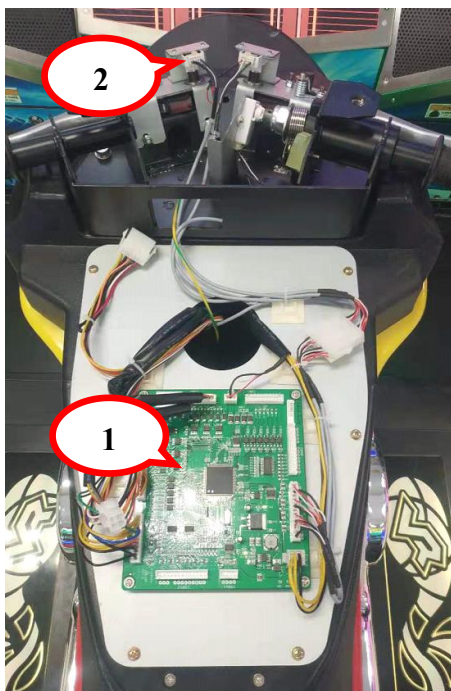


No.	Part No.	Code No.	Name	Qty
1	U110-491-000	23000000006	Counter	2
2	U110-488-000	29750882003	POT board	2
	U110-490-000	22403000001	POT knob	2
3	U110-478-001	22402010001	Button	8
4	U110-463-000	22606000050	Toggle switch	2
5	U110-600-000	22801000078	Woofers	2
6	U110-494-000	29741801009	Pedal PCB	1×4
7	U110-439-000	23404000047	Motor	1×2
8	U110-465-000	21503000064	Optical sensor	3×2
9	U110-474-000	21502000009	Pedal sensor	4×4

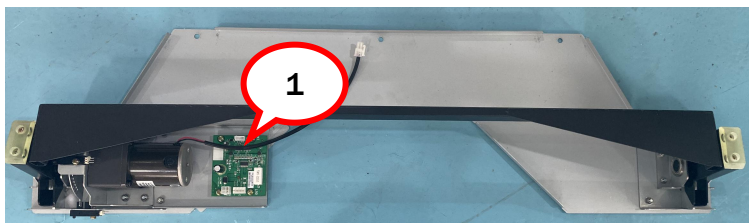


S

No.	Part No.	Code No.	Name	Qty
1	U110-480-000	21503000065	Proximity switch sensor	2×2
2	U110-493-000	22801080002	Speaker	1×2
3	U110-483-000	21501000043	Sensor	2×2



No.	Part No.	Code No.	Name	Qty
1	U110-923-000	20741801007	Hardware control board	2×2
2	U110-924-000	20741801008	Sensor	4×2



No.	Part No.	Code No.	Name	Qty
1	U110-620-000	29741801013	Motor drive board	1×2
2	U110-621-000	21903000002	Fuse	1×2



No.	Part No.	Code No.	Name	Qty
1	U110-537-000	408090011	Headset wire shield	5000mm(196.85in)
2	U110-538-000	25108020005	Anti-theft iron wire	1 bag

www.universal-space.com

10. AIR COMPRESSOR INSTRUCTION

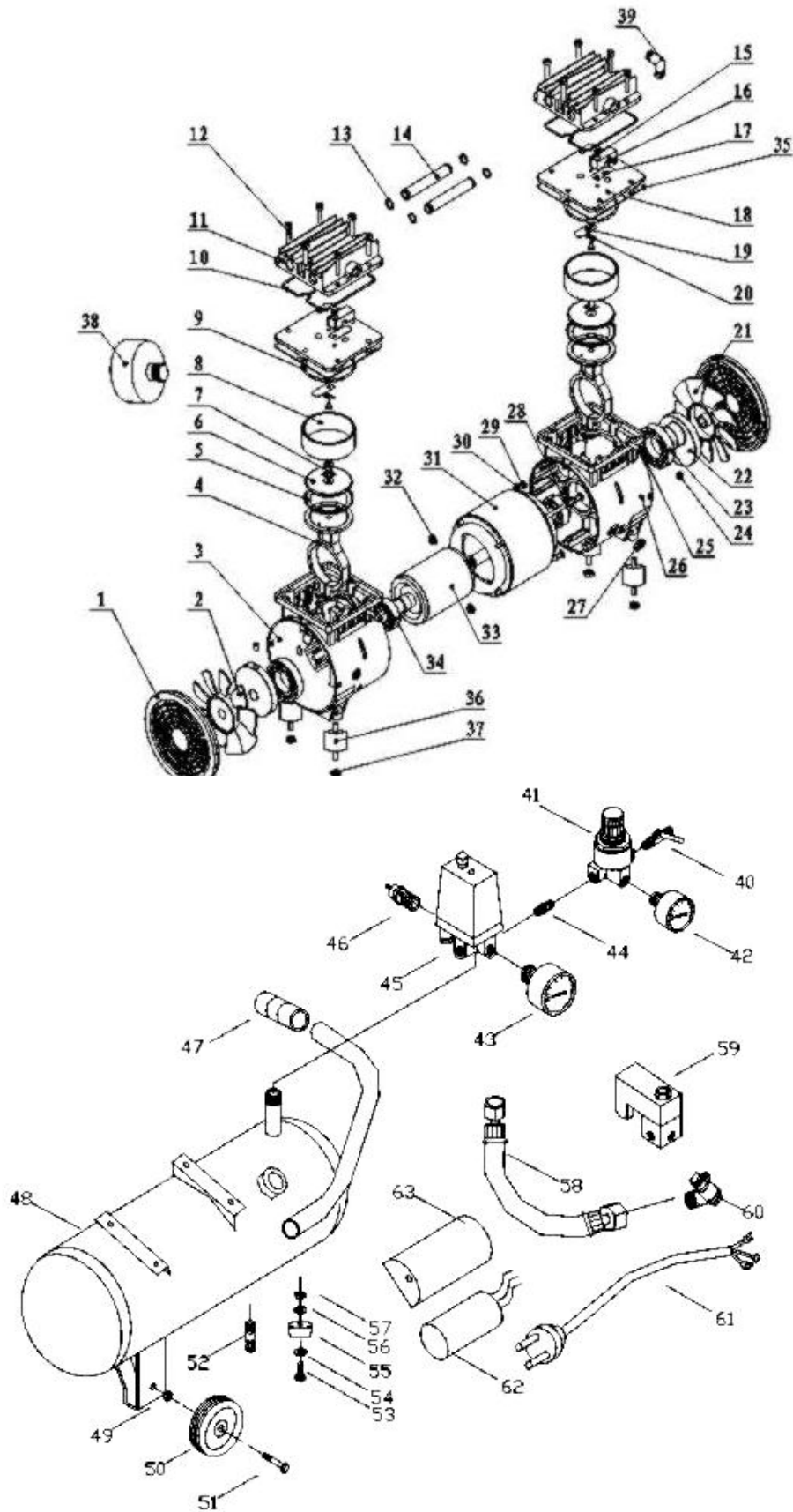
10.1.Introduction

Our company's oil free air compressor to use of high-quality, the big flow of oil-free piston compressor swing as a power source, can provide a stable source of oil free gas, avoid the oil patches into the human body, and can avoid terminal machines because of the non-oil pipeline caused a breakdown of oil. Their components as selected of high-quality. The products are widely used in medical, food processing, family,environment protection, bio-pharmaceutical and other fields,used widely. The machine is completely made in accordance with the characteristics of dental, high flow, low noise, dry cleaner gas source, smooth operation, automatic control in the course of operation, when the tank pressure to set a minimum or maximum value, the compressor will automatically start up or shutdown. The compressor is particularly suitable for dental treatment as the gas source, it is the ideal choice for medium, small dental hospitals and private dental clinics.

10.2 Product Specifications

Model	Rated voltage (V)	Volt (Hz)	Rated Power(w)	Capacity (L/min)	Noise(dB)	Work pressure (Mpa)	Rate exhaust pressure (Mpa)	Tank(L)	Size (LxWxH) mm
EWS06	220-240	50	480	89	48	0.8	0.85	6	410×180×470
	110-220	60							
EWS24	220-240	50	680	116	50	0.8	0.85	24	530×300×520
	110-220	60							
EWS30	220-240	50	800	150	55	0.8	0.85	30	600×350×570
	110-220	60							
EWS40	220-240	50	1200	196	62	0.8	0.85	40	670×400×660
	110-220	60							

10.3 Overall Construction



1 covery	17 valve	33 stator	49 nut
2 left fan	18 valve	34 bearing 6203-2Z	50 wheel
3 left crankcase	19 valve plate	35 adjustment washer	51 bolt
4 connecting rod	20 washer	36 vibration column	52 drain cock (26601101728)
5 piston cup	21 right fan	37 spring	53 bolt
6 binder plate	22 shaft seal	38 air filter	54 washer
7 bolt	23 bearing 690-2Z	39 elbow	55 cushion foot
8 cylinder	24 bolt	40 deflation valve (26601101725)	56 washer
9 obturating ring	25 bolt	41 regulator (26601101726)	57 nut
10 obturating ring	26 right crankcase	42 40 gauge	58 pipe
11 cylinder head	27 protection ring	43 50 gauge	59 actuated valve
12 bolt	28 bolt	44 connect	60 check valve (26601101727)
13 obturating ring	29 bolt	45 pressure switch (26601101724)	61 plug
14 connecting pipe	30spring	46 safety valve	62 capacitor
15 bolt	31 rotator	47 handle	63 capacitor cover
16 limit block	32 nut	48 tank	

10.4 The Use,Operation Notes

4.1 While using, air compressor will be placed in the level of indoor drying, cleaning, ventilation places, specially pay attention to get away from the scope such as dust. If you are unable to meet the requirement, you must increase the filtering.

4.2 Please check whether the gas circuit of compressor blockage, every component has abnormal phenomena before using, then plug the power cord plug into the power outlet to meet the requirements(the power outlet must be good grounding),the compressor's motor will start, electromagnetic valve act, shut emptying gas circuit, complete appliance start work(close each air supply power switch).

4.3 When pressure gauges point the pressure is reached the maximum given pressure, pressure control automatically disconnect, air compressor will stop working. When the compressor stopped is not to the maximum pressure because of the power supply suspension, the compressor will be worked after the tank pressure down to the lowest pressure control point by restoring electricity.

4.4 Connect valve mouth to the using air supply equipment pipeline; open exhaust valves can supply gas to the equipment directly. When the pressure gauge points the pressure is down to the set minimum pressure, pressure control automatically closed, air compressor re-start. (The value of the minimum and maximum pressure based on different models has been setting up before the products leave factory, generally the users can't adjust the set value by themselves.)

4.5 If user's supply voltage is on the low side, not up to the range $\pm 10\%$ of the standard voltage, can not be forced lo use, otherwise it will be damage the electrical of the

compressor. It should be add power stabilizer or booster, to make the use voltage up to standard voltage.

4.6 By using, the air holder of the air compressor will condense a small amount of moisture content, so must be drained regularly, generally drainage once a week. Switch off the power before draining, open the exhaust valves to drain the gas in the air holder, and then unscrew the bottom seal lock of the air holder, after draining water, re-installed can use.

4.7 By using, because in the air has dust, so entering air silencer will be washed once a week. Switch off the power before washing, switch off the silencer, then switch off the end closure of the silencer, popped the inside sponge, clean thoroughly with clean water, airing, re-installed can use (also can replace new sponge).

4.8 On the top of the tunableness component pressure controller has an adjusting screw, can be used to regulate plus-minus psid. Manufacturers have been adjust the outage pressure property before the compressors leave factory, the users must not adjust according to their wishes, otherwise may be will overstep the design parameter of the complete appliance, damage machine set, or lead the air compressor can't running normal.

4.9 Compressor with thermal protection and over-current protection: when the motor overheated, the thermal protection will automatically disconnect; when the motor stall, the voltage too high, over-current protection will automatically disconnect and both will be automatically reset. So please pay attention to whether the circuit is free-flowing or not when checking.

10.5 Conserve And Protect

5.1 To ensure safety, the compressor work is prohibited on touch any component from the appliance.

5.2 This compressor is oil-free compressor, is prohibited on add oil to lubricate.

5.3 To use this compressor, the ambient temperature is from 5°C to 40°C

5.4 It is ban to watering towards the complete appliance while washing the compressor, please use soft dry cloth to rub-up the dust on the top. be careful not damage the component.

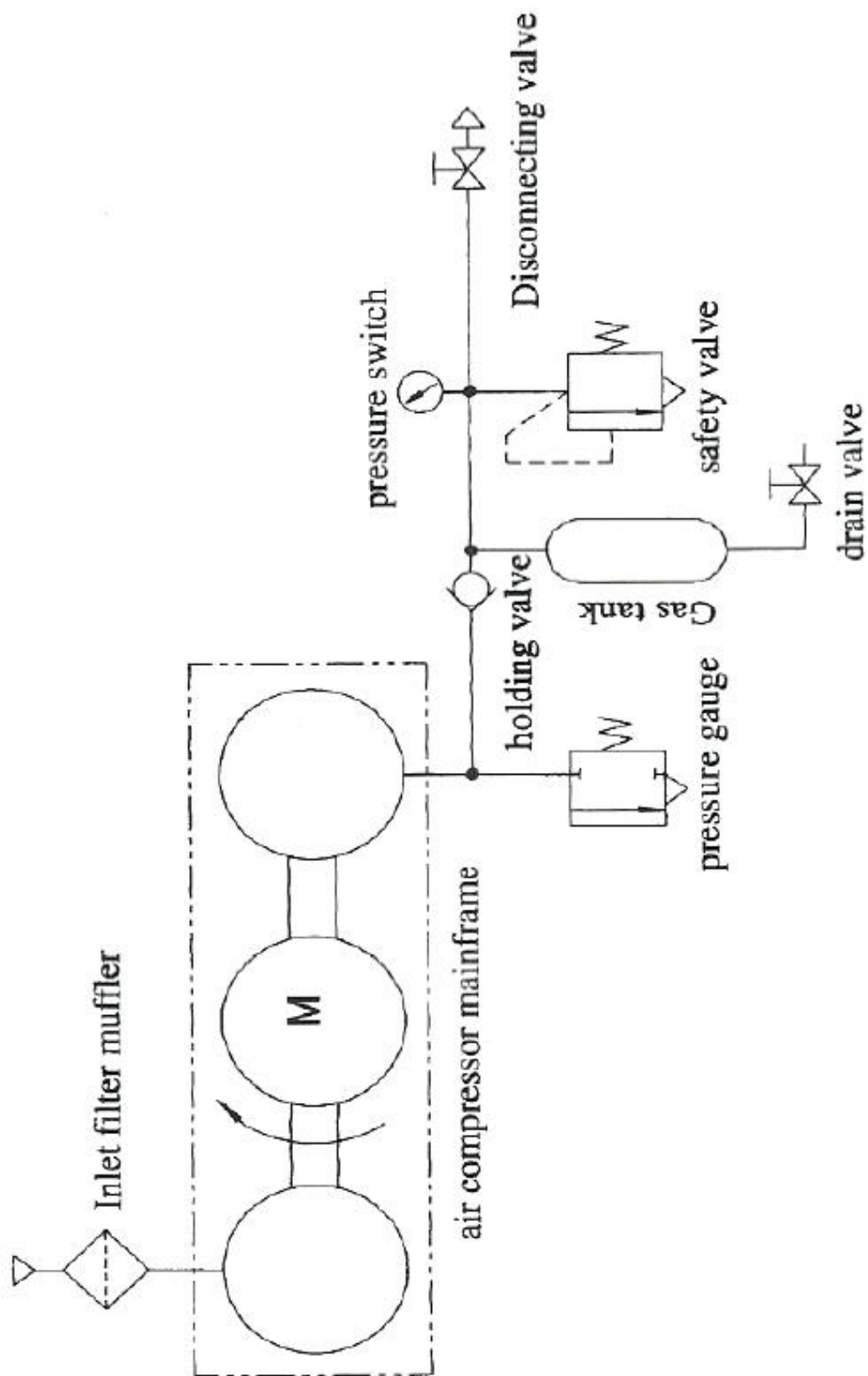
5.5 After using, please cut off the power switch, switch off the air supply.

10.6 Malfunction Analysis And Preserve

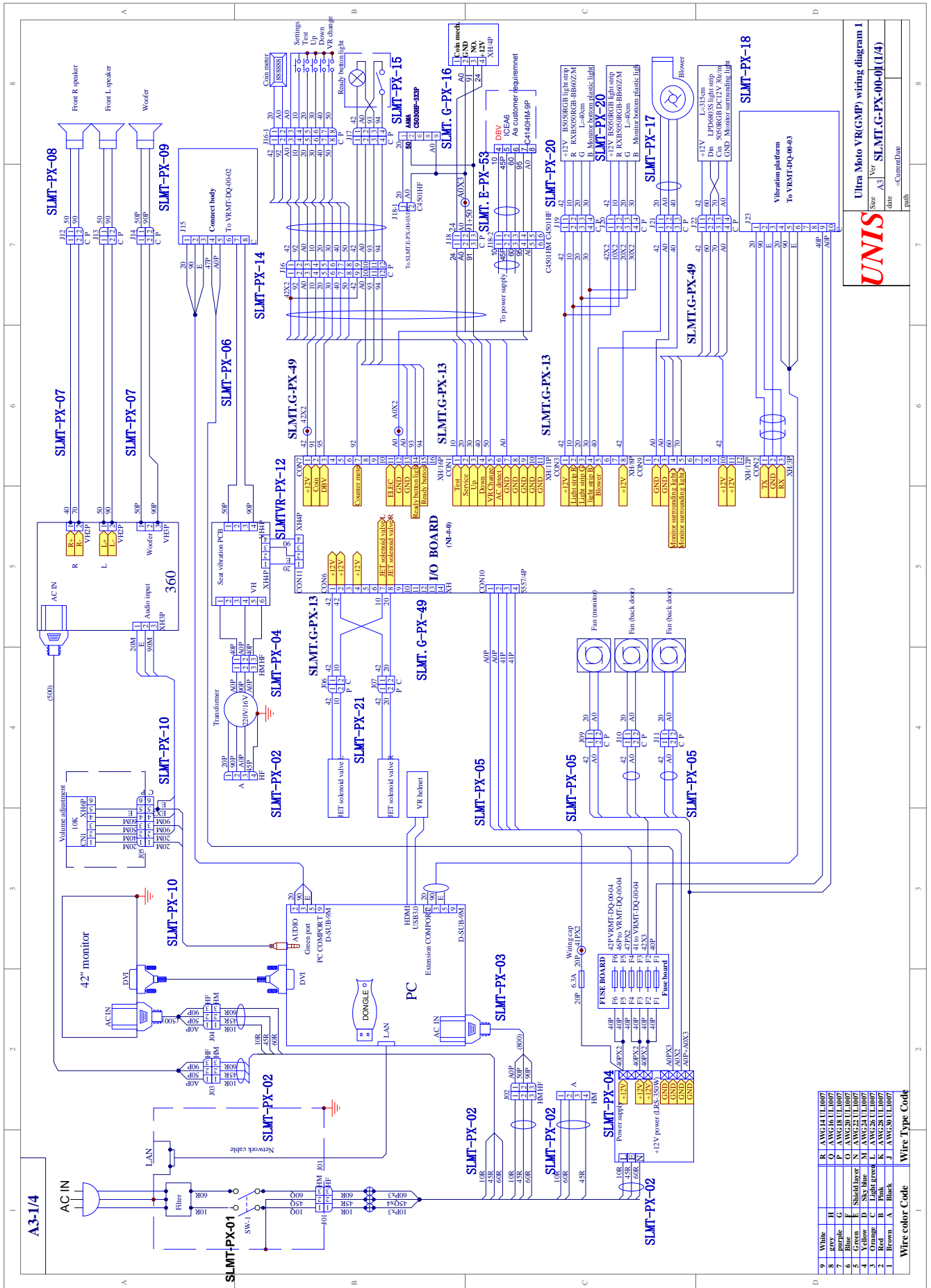
No.	Fault characteristic	Possible cause	Exclude method
1	Air compressor can't running electrical motor have no abuzz hum noise.	Plug has no power	Open the power.
		Over-current protection or Pressure controllers not connect.	Check whether the connections of the over-current protection and pressure controllers connect or not.
2	Air compressor shut down after not reach the set maximum pressure, and have the sound of electromagnetic valve exhausting.	The set value of the pressure switch is low.	Adjust the set value to the value as required.
		Over-current protection faults	Replace the over-current protection
3	The compressor can't start normal, electrical motor tums but stop immediately, and can hear the buzz of the electrical motor, about ten to thirty seconds the sound disappeared.	The voltage is too low.	<ol style="list-style-type: none"> 1. Increase pressure stabilizer 2. Use after the voltage becomes normal.
		The air in the buffer pot hasn't exhausted but restart almost the plug not contact well or the power cut in the middle, the time is less than five seconds. Electromagnetic valve can not exhaust.	<ol style="list-style-type: none"> 1, Pull out the plug. 2. Replace the plug to guarantee contact property. Check whether the safety valve has faults or not (Method: pull out the plug, exhaust air in the air compressor pet, plug into the plug, when the atmospheric pressure reached the necessarily pressure pull out the plug, electromagnetic valve will exhaust.)
		The capacitance has been damaged or the capacity educed	Replace capacitance
		The compressor has faults.	Contact with the supplier

No.	Fault characteristic	Possible cause	Exclude method
4	When the compressor keep running, but the pressure can't reach the stop pressure or shut off the exhausting ball plug, the time to reach stop pressure get longer.	The air of the compressor and the pipeline system is divulged.	Check each joint have steam leakage phenomenon or not. (Can use suds to check.)
		The pump of the compressor has faults.	Open the cylinder cover to check the valve has carbon deposit or not. The valve plate has wrapped or not. Leather cup have abrasion. Contact with the supplier.
5	When stop the compressor, switch off the exhausting ball plug, the atmosphere pressure went down.	Each bonds of the air tank steam leakage.	Add the glue to screw down the bond.
		Holding valve has no air proof, steam leakage	Clear, clean valve plug. Replace holding valve or valve plug.
6	The compressor can't stop when is over the set maximum pressure.	Pressure controller broken.	Adjust or replace the pressure controller.
7	In the scope of compressor's work pressure, the safety valve exhaust.	Safety valve spring force weakened, the adjustment nut loose	Adjust safety valve adjust the nut to the safety valve working pressure exhaust, and locking nut.

10.7 Gas Circuit Elementary Diagram



11. WIRING DIAGRAM

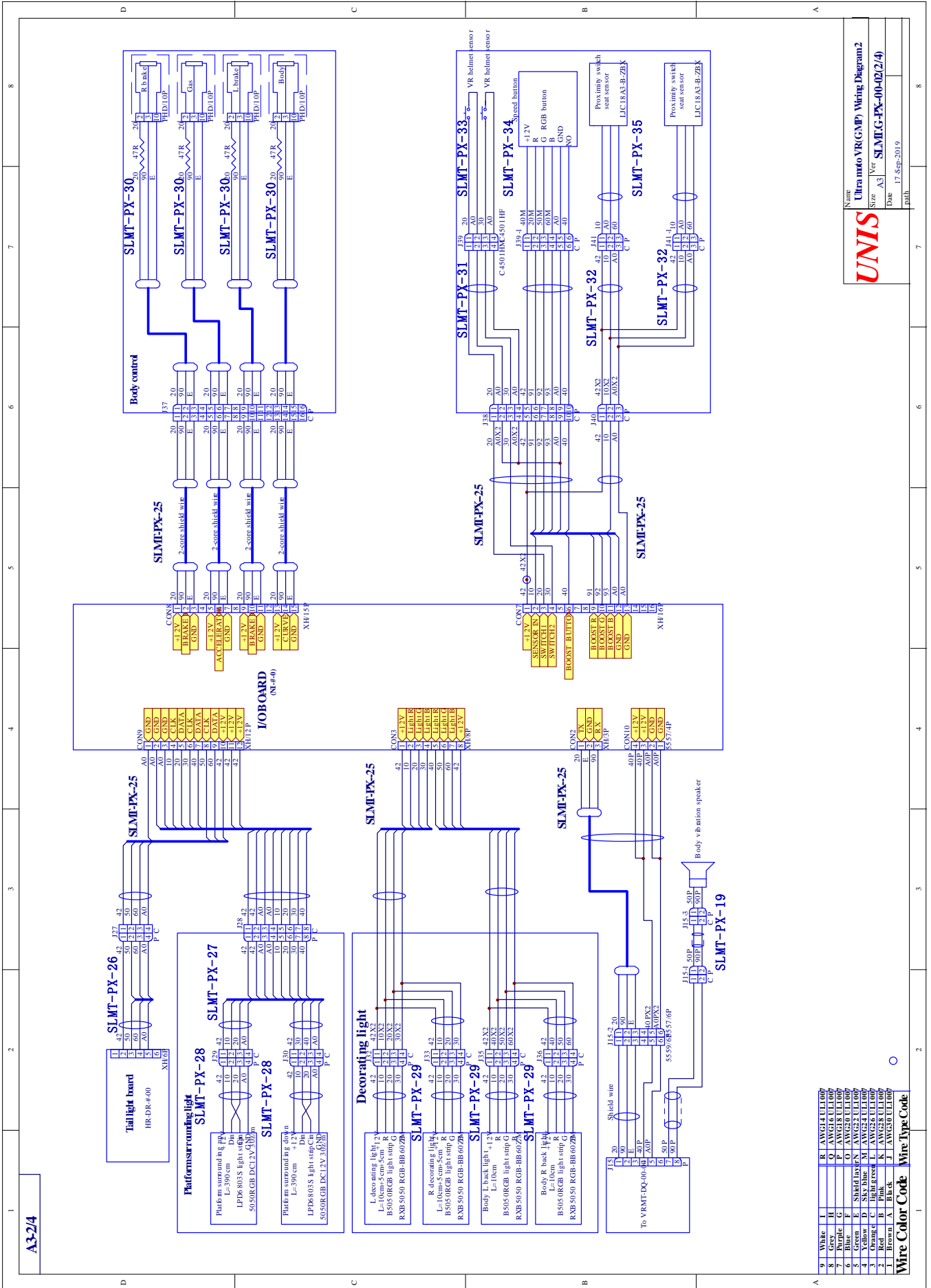


Ultra Moto VR(GMP) wiring diagram 1

Ver	SLMT-G-PX-00-01(1/4)
Size	A3
date	-
Current Date	-

UNIS

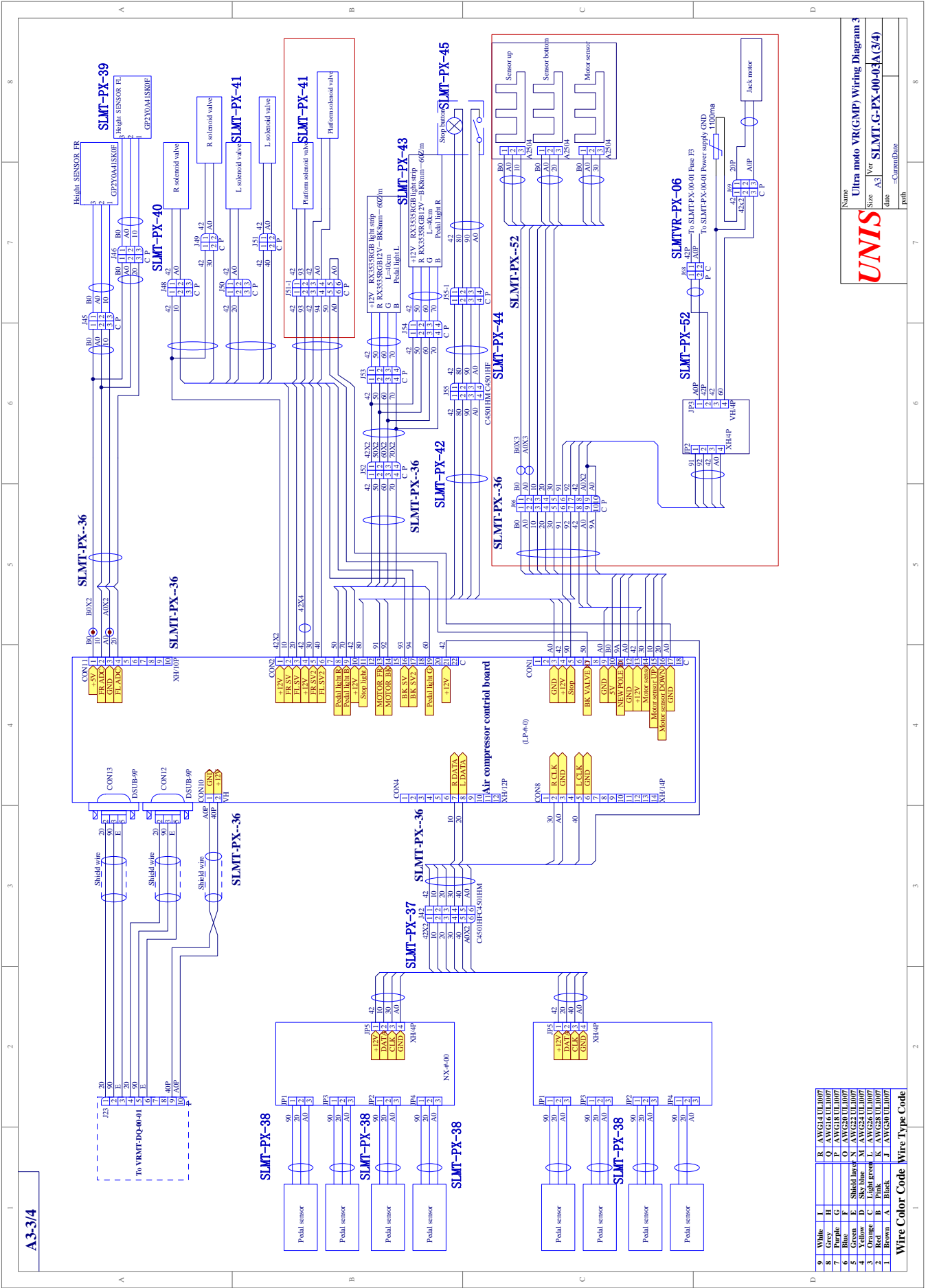
Wire color Code	Wire Type Code
9	White
8	Grey
7	Purple
6	Green
5	Yellow
4	Blue
3	Orange
2	Light green
1	Light blue
0	Brown
-	Black



Wire Color Code	Wire Type Code
1 White	I AWG14 ULL100P
2 Brown	J AWG14 ULL100P
3 Green	K AWG14 ULL100P
4 Red	L AWG14 ULL100P
5 Orange	M AWG14 ULL100P
6 Blue	N AWG14 ULL100P
7 Purple	O AWG14 ULL100P
8 Grey	P AWG14 ULL100P
9 Black	Q AWG14 ULL100P
10 Yellow	R AWG14 ULL100P
11 Pink	S AWG14 ULL100P
12 Brown	T AWG14 ULL100P
13 Black	U AWG14 ULL100P

Name	Ultra moto VR(GMP) Wiring Diagram2
Size	A3
Ver	SLMT-G-PX-00-02(2/4)
Date	17.Sep.2019
path	



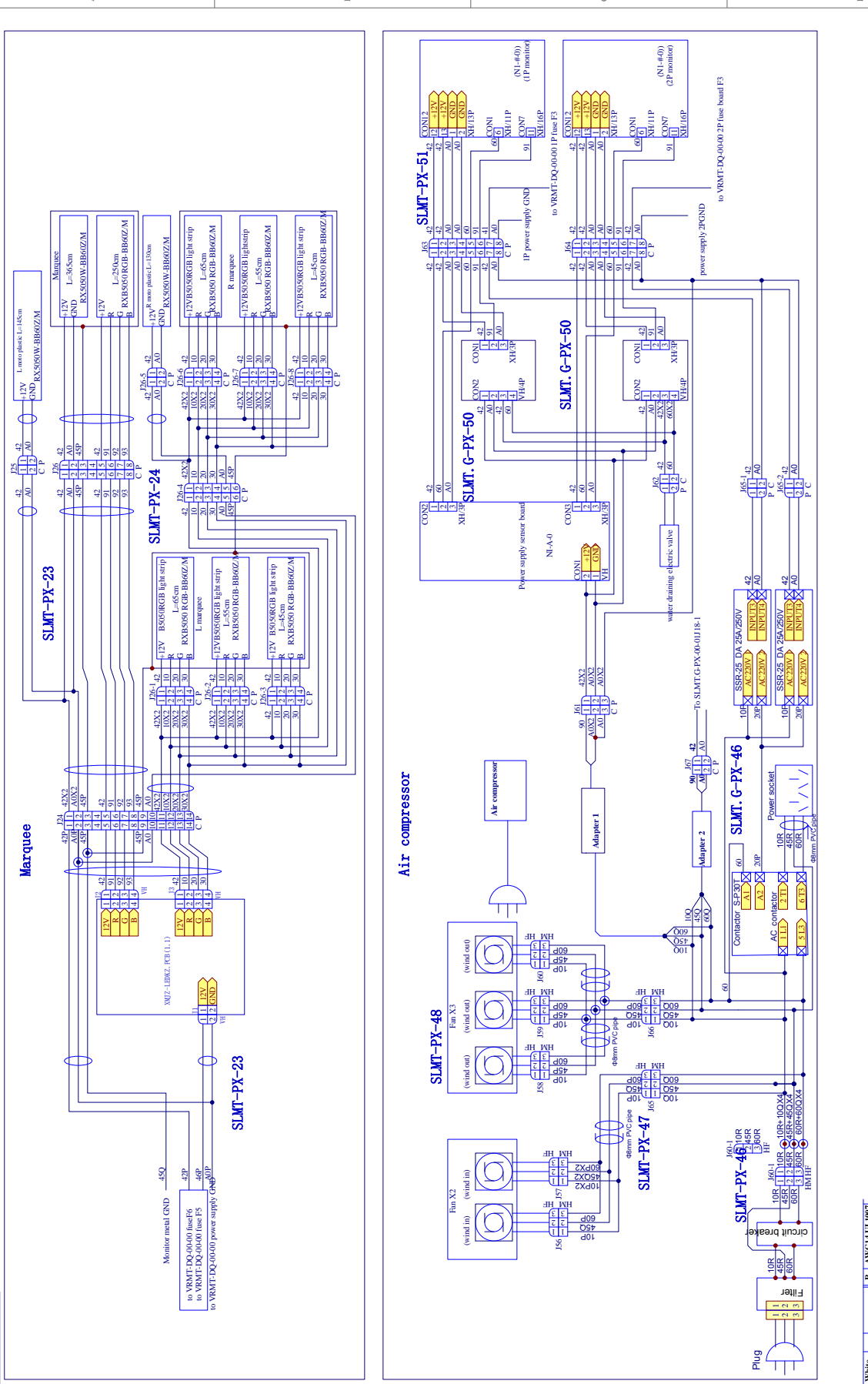


UNIS

Name: Ultra moto VR(GMP) Wiring Diagram 3
 Size: A3 Ver: SLMT-G-PX-00-03(A) (3/4)
 date: _____
 path: _____
 Current: _____
 Date: _____

Wire Color Code	Wire Type Code		
0	White	I	AWG24 UL1007
1	Black	J	AWG20 UL1007
2	Red	K	AWG28 UL1007
3	Orange	L	AWG24 UL1007
4	Yellow	M	AWG24 UL1007
5	Green	N	AWG24 UL1007
6	Blue	O	AWG20 UL1007
7	Purple	P	AWG18 UL1007
8	Grey	Q	AWG18 UL1007
9	White	R	AWG24 UL1007
10	Black	S	AWG24 UL1007
11	Red	T	AWG24 UL1007
12	Orange	U	AWG24 UL1007
13	Yellow	V	AWG24 UL1007
14	Green	W	AWG24 UL1007
15	Blue	X	AWG24 UL1007
16	Purple	Y	AWG24 UL1007
17	Grey	Z	AWG24 UL1007

A3-4/4



UNIS

Ultra Moto VR(GMP) wiring diagram 4
 Size Ver SLMT-G-PX-00-0H(4/4)
 date A3
 Path --CurrentDate

Wire Color Code	Wire Type Code
1	White
2	Black
3	Red
4	Orange
5	Yellow
6	Blue
7	Purple
8	Green
9	White
10	Black
11	Red
12	Orange
13	Yellow
14	Blue
15	Purple
16	Green
17	White
18	Black
19	Red
20	Orange
21	Yellow
22	Blue
23	Purple
24	Green
25	White
26	Black
27	Red
28	Orange
29	Yellow
30	Blue
31	Purple
32	Green
33	White
34	Black
35	Red
36	Orange
37	Yellow
38	Blue
39	Purple
40	Green
41	White
42	Black
43	Red
44	Orange
45	Yellow
46	Blue
47	Purple
48	Green
49	White
50	Black
51	Red
52	Orange
53	Yellow
54	Blue
55	Purple
56	Green
57	White
58	Black
59	Red
60	Orange
61	Yellow
62	Blue
63	Purple
64	Green
65	White
66	Black
67	Red
68	Orange
69	Yellow
70	Blue
71	Purple
72	Green
73	White
74	Black
75	Red
76	Orange
77	Yellow
78	Blue
79	Purple
80	Green
81	White
82	Black
83	Red
84	Orange
85	Yellow
86	Blue
87	Purple
88	Green
89	White
90	Black
91	Red
92	Orange
93	Yellow
94	Blue
95	Purple
96	Green
97	White
98	Black
99	Red
100	Orange