

UP & AWAY



Be Sure
to Read this
Manual
Before Use

Operation Manual

UNIS[®]
UNIVERSAL SPACE

www.universal-space.com

CONTENT

IMPORTANT SAFETY INSTRUCTIONS.....	2
1. SPECIFICATIONS.....	4
2. PACKAGE CONTENTS	5
3. PART NAME	6
4. SET UP & INSTALLATION.....	7
5. HOW TO PLAY	13
6. GAME OPTIONS	14
7. MAINTENANCE, INSPECTION	17
8. OVERALL CONSTRUCTION	18
9. Decal.....	33
10 chart	37
Wiring diagram.....	39

Non-technical personnel who do not have technical knowledge and Expertise should refrain from performing such work that this manual require or perform tasks which are not explained in this manual. Failing to comply can cause severe accidents such as electric shock or other serious injuries. All repairs must be performed to original manufacturer specifications.

WARNING: To reduce the risk of fire, electric shock or personal injury, unplug or disconnect the machine from the power supply before servicing.



Thank you for purchasing **UP&AWAY** from Universal Space. We hope you enjoy the product.

This manual contains valuable information about how to operate and maintain your game machine properly and safely. It is intended for the owner and/or personnel in charge of product operation. Carefully read and understand the instructions.

If you need any help during installation and setup please utilize this manual and troubleshooting guide. If the product fails to function properly, *non-technical personnel should under no circumstance attempt to service the machine.* Contact your distributor or manufacturer for help.

Before use, please read **IMPORTANT SAFETY INSTRUCTIONS.**

IMPORTANT SAFETY INSTRUCTIONS

To ensure the safe usage of this product, carefully read and understand these instructions before operating your game.

Save these instructions for future reference.

Use this product only as described in this manual. Other uses not recommended may cause fire, electric shock or personal injury. Unplug the game from the outlet when not in use, when moving from one location to another, and before cleaning/servicing.

Explanations which require special attention are indicated by signs of warning. Depending on the potential hazardous degree, the terms: **NOTE**, **NOTICE**, and **WARNING** are used.

NOTE: A NOTE indicates useful hints or information about product usage.

NOTICE: A NOTICE indicates potential damage to product and how to avoid the problem.

WARNING: A WARNING indicates a potential for product damage or serious personal injury.

It is important to understand the meaning of the following HAZARD SIGNS before continuing:

High Voltage and Shock Hazard:

High voltage can cause electric shock.
Turn off/unplug power before servicing.



High Temperature Hazard:

This part may cause scalding.
Do not touch. Surface may be hot.



No Touching Hazard:

This part may be hot or can cause electric shock.
Do not touch.



Use the following safety guidelines to help ensure your own personal safety and to help protect your equipment and surrounding environment from potential damage.



This product is an indoor game machine. Do not install outdoors.

Avoid installing in the following places to prevent fire, electric shock, injury and/or machine malfunctioning:

- Places subject to rain/moisture, or places subject to high humidity.
- Places subject to direct sunlight, or places subject to extremely hot or cold temperatures to ensure that it is used within the specified operating range.
- Places where inflammable gas may be present or in the vicinity of highly inflammable/volatile chemicals or items that can easily catch fire
- On unstable or sloped surfaces. The machine may topple or cause unforeseen accidents.
- Vicinity of fire exits, fire extinguishers etc that may block/prevent safety measures

IMPORTANT NOTE:

**ALL REPAIRS MUST BE DONE TO ORIGINAL MANUFACTURER SPECIFICATIONS.
FAILURE TO DO SO VOID ALL WARRANTIES AND OPERATOR ASSUMES ALL
RISKS.**

Note: The contents of this manual may be updated without notice.



1. SPECIFICATIONS

Rated power supply: AC110V /60Hz

Min. Power consumption: 70W

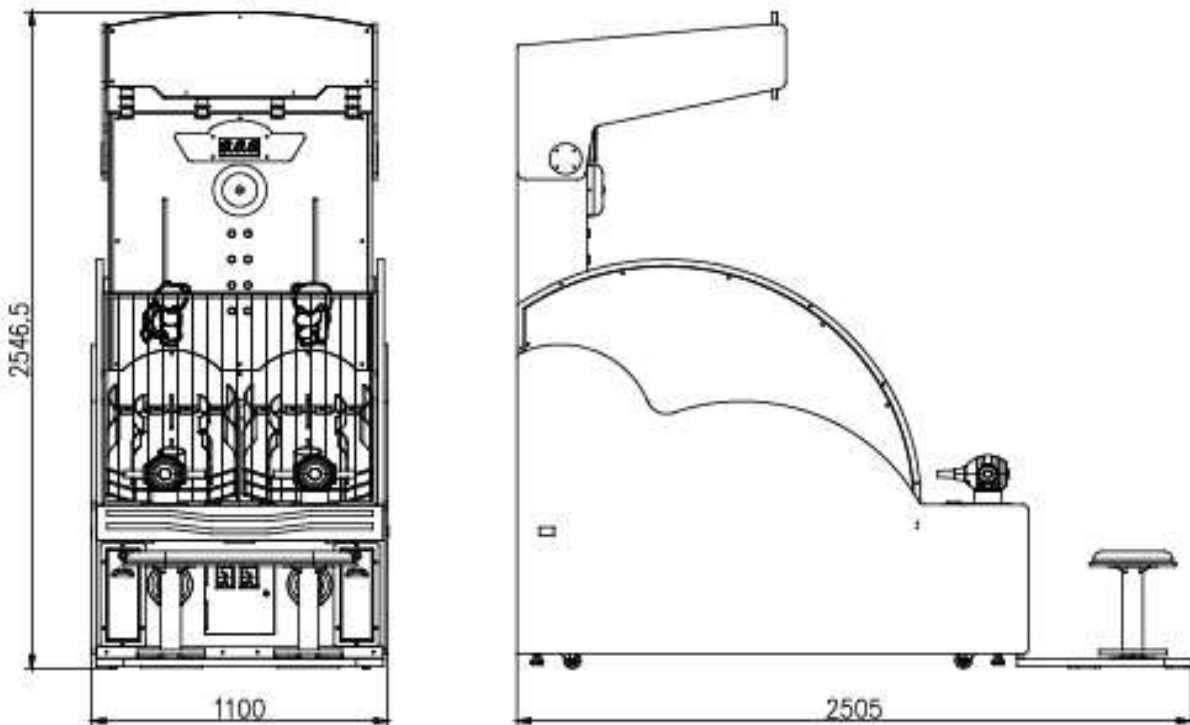
Max. Power consumption: 450W

Dimensions: W1100×D2505×H2546.5 (mm)

Weight: Approximately 300kg



NOTICE: After turning off the game, please wait at least 1 minute before restarting again.






Note: The contents of this manual may be updated without notice.

2. PACKAGE CONTENTS

Open the package and make sure all the items are included:

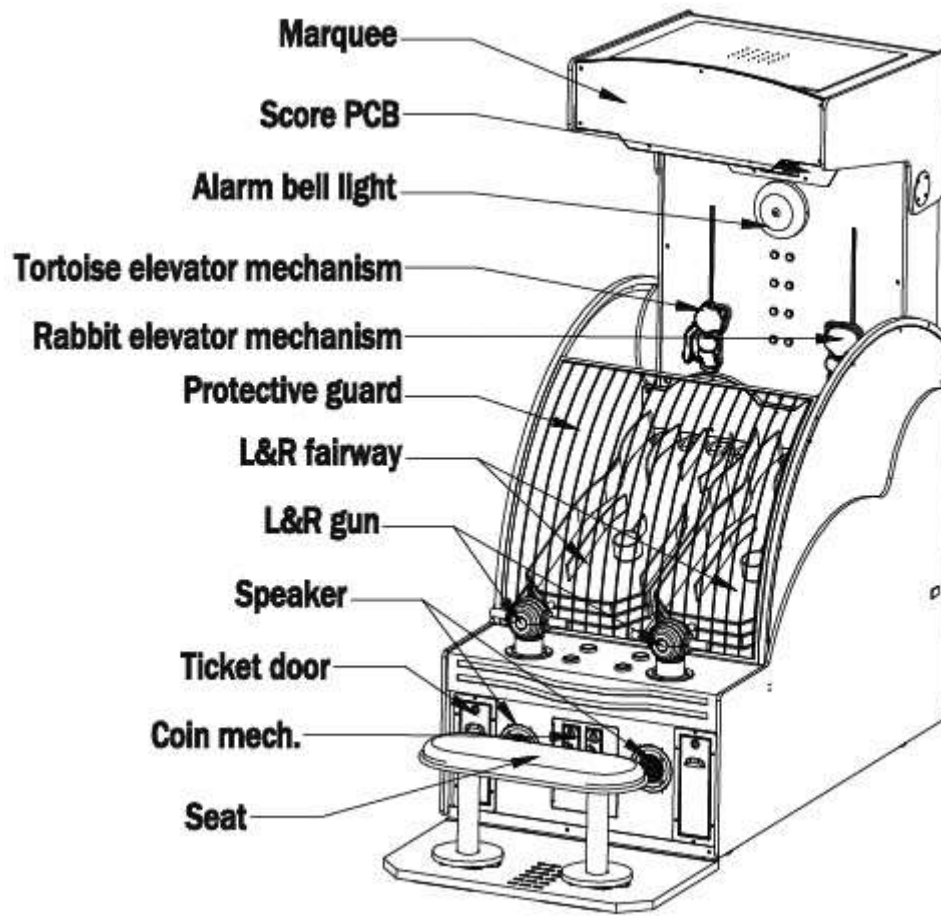
- 1 x Body Assembly
- Following accessories

No.	Part No.	Code	Name	Spec.	Qty	Picture
1		23301000001	Power code	10A/250V-1.8M	1	
2		21901000013	Fuse	Φ5×20mm T10A 250VAC	1	
3		41000000114	Ball	VBS75	50	
4		41411301001	Manual		1	
5		25300171002	Lock	171	1	
6		25300172002	Lock	171B	1	

If any items are found to be missing, please contact your sales representative for help immediately.

NOTE: Part models are subject to change without notice.

3. PART NAME



4. SET UP & INSTALLATION



This product is an indoor game machine. Do not install outdoors.

- Refer to IMPORTANT SAFETY INSTRUCTIONS (Pg. 2) for places to avoid
- Place the unit on a dry level surface
- Ventilation openings in the back of the unit must not be obstructed by objects or by wall.

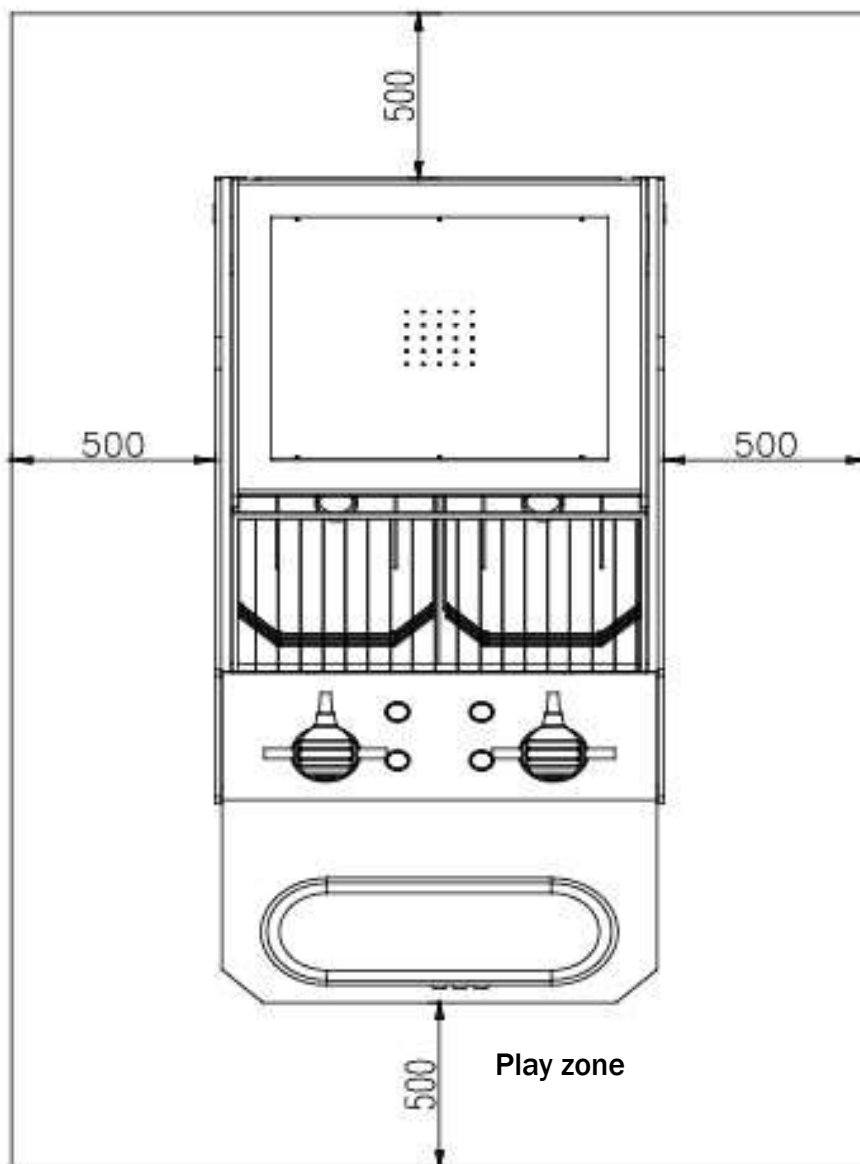
4.1 Play Zone

This machine requires space for playing and for maintenance as shown below.

Leave space around the game upon installation:

Service Area: 500mm

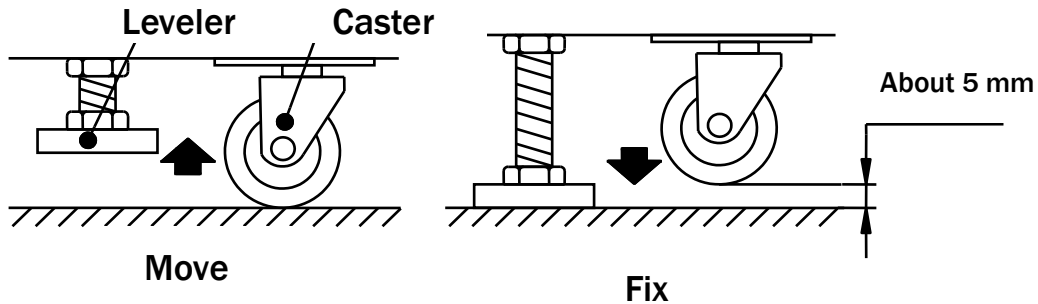
Play Area: 500mm



4.2 Level Adjustment

Install this machine on a flat surface. Adjust levers to lift casters off the ground to level the game. If the game is installed on an unsuitable floor, it could cause game malfunction.

To secure the game, adjust the Leveler down until it touches the floor, lifting the casters off the ground by 5mm. Repeat the same for all levelers.

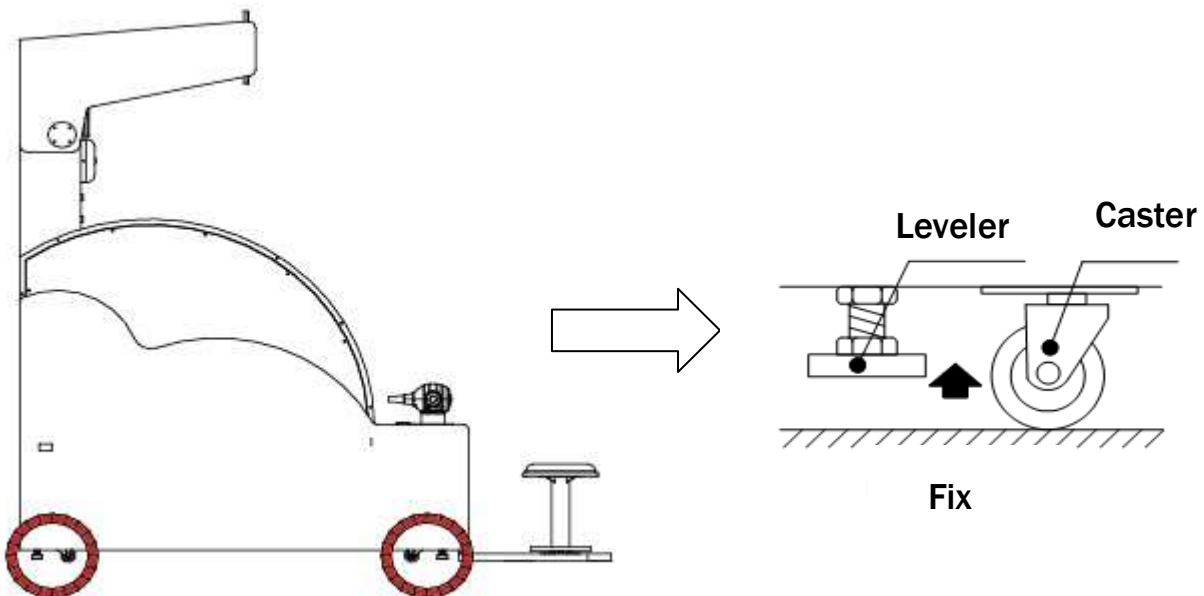


NOTICE

Make sure the machine is level with the ground and all the adjustable legs should stick to the floor closely.

4.3 Transporting the Machine


If you need to move the game, adjust the levelers back to an “up” position so the casters touch the ground.



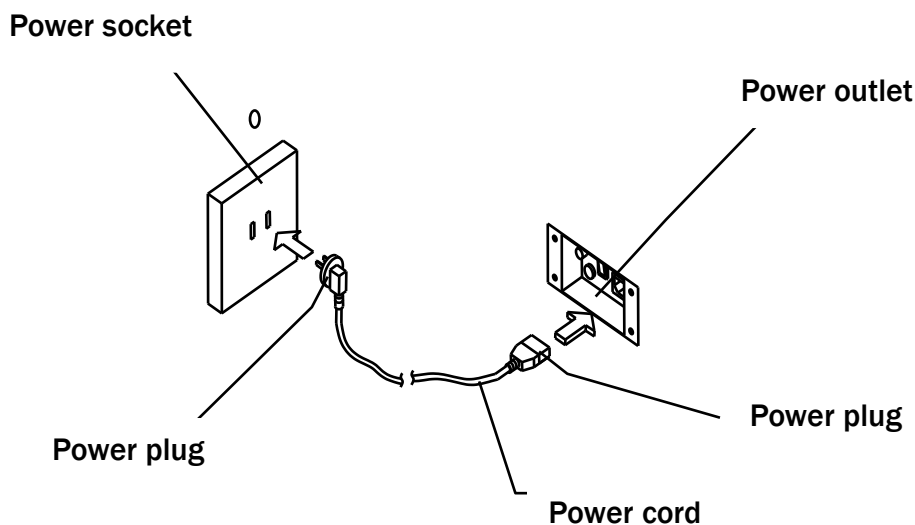
NOTICE

- Be careful not to damage the machine during transport.
- The machine should be handled with care when bringing it down from a higher level.
- Always unplug the game before moving.
- Keep the machine in upright position during transport.
- For longer distance transport, package the game properly to prevent damages.

4.4 Connecting Power

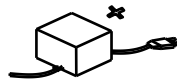
 **WARNING:** Check the voltage rating before you connect the equipment to an electrical outlet to ensure that the required voltage and frequency match the available power source. Please refer the label of the machine.

- Do not plug the equipment power cables into an electrical outlet if the power cable is damaged.
- Avoid putting many loads on one electrical outlet as it could generate heat and fire resulting from overload.
- Connect the grounding conductor to the earth terminal (GND):

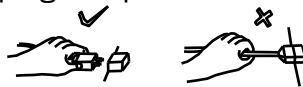


 **WARNING**

Ensure no heavy objects rest on the power cord. Check to make sure the game cabinet does not sit on the power cord as this could damage the cord and become hazardous.



To disconnect the game, grip the plug and pull it from the wall outlet. Never pull by the cord.



To prevent electric shock, do not touch the power plug when hand is wet.



Ensure that nothing rests on the power cord and that it is not located where it can be stepped on or tripped over.



4.4 How To Install Marquee Assy.

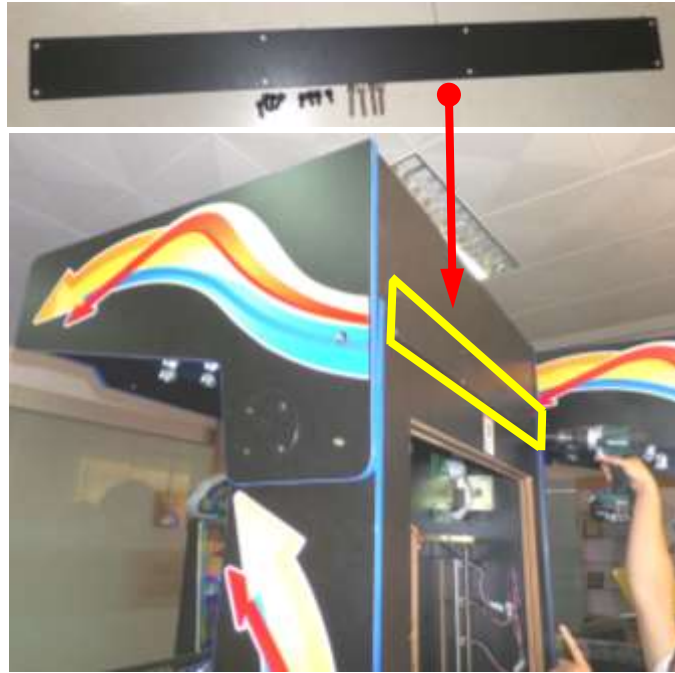
Step 1: Remove 1 screw from both sides on top of the cabinet.



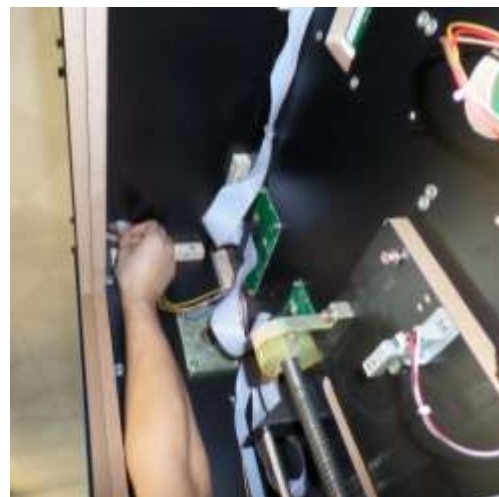
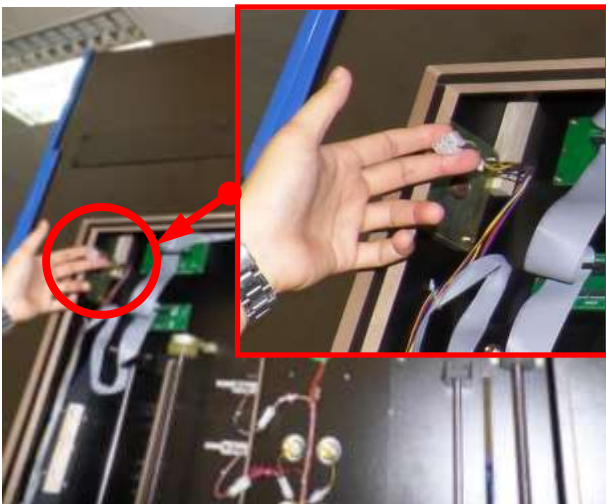
Step 2: Lift up the marquee in the correct position by 2 people. One needs to support the marquee in the front. The other needs to install 4 provided screws (M6*40) from the accessory box to fix the marquee.



Step 3: Take the connection metal plate from accessory box. Fix it to the cabinet with 8 screws (M6*20) as the picture shown.



Step 4: Find the cable connector at the back of the cabinet. Then connect it to the other end from the top marquee hole.



4.5 How To Install Seat Assy.

Step 1: Push the seat assembly at the front of the cabinet. Make seat assembly mounting holes and cabinet mounting holes horizontal alignment.



Step 2: Take out seat light cable connector, and get it through the hole on the bottom of the cabinet. Then connect it to the other end from the ticket door.



Step 3: Put the seat assembly against the cabinet, aligning the seat mounting holes with cabinet mounting holes



5. HOW TO PLAY

How to Play

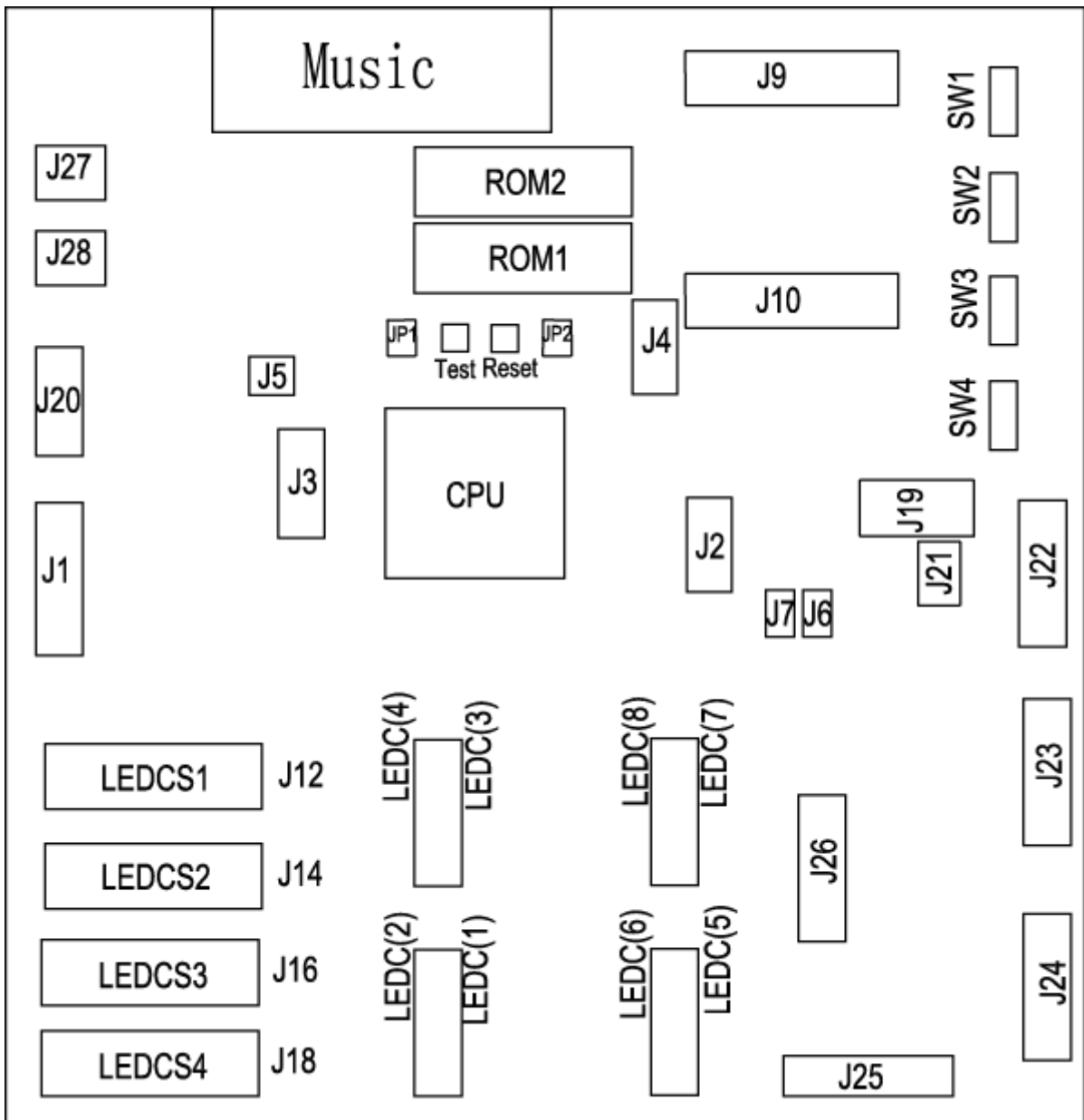
- * Insert coin(s) to start.**
- * The air blaster will start shooting air.**
- * Shoot all 4 balls into the 4 holes and race to the finish line.**
- * Each time a ball drops into a hole, the character rises up.**
- * Get all 4 balls into the holes to win the Bonus!**
- * The first player to reach the finish line wins the Bonus!**

6. GAME OPTIONS

Check the attached I/O chart and schematic diagram, PC plan available machine input and output correspond to each connection position. Based on the DIP adjustment can be set the machine control signal.

DIP regulating reference I/O list, capital letters for factory Settings, user can adjust themselves according to the operation condition.

Main Board





Display:

1P TIME	LED<1>1-2	BONUS	LED<1>3-5	2P TIME	LED<1>7-8
1P TICKET	LED<2>1-3			2P TICKET	LED<2>4-6

Error display:

If the input signal is not normal when you turn on the machine, The score LED displays SW numbers with wrong.

Clear memory:

Hold on TEST button and press Reset button, then unclinch Reset button.

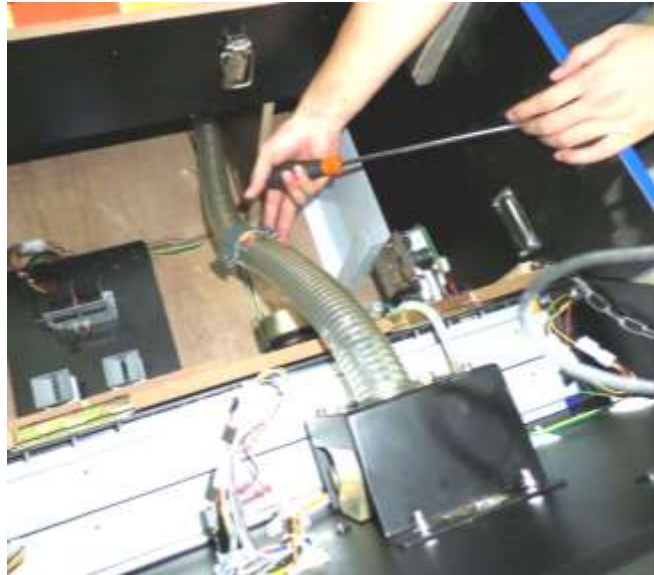
The memory must be cleared if game machine is passed when shipped out.

Error code

E01 Ticket reset button	E11 1P target sensor 1	E31 1P hole sensor 1
E02 Free play button	E12 1P target sensor 2	E32 1P hole sensor 2
E03 1P pop up motor sensor	E13 1P target sensor 3	E33 1P hole sensor 3
E04 2P pop up motor sensor	E14 1P target sensor 4	E34 1P hole sensor 4
E05 1P single play button		
E06 1P link button		
E07 2P single play button	E21 2P target sensor 1	E41 2P hole sensor 1
E08 2P link button	E22 2P target sensor 2	E42 2P hole sensor 2
E83 Coin mech. 1	E23 2P target sensor 3	E43 2P hole sensor 3
E84 Coin mech. 2	E24 2P target sensor 4	E44 2P hole sensor 4

How To Adjustment Blowing Rate:

Step 1: Open control panel, there are 2 metals on the windpipe, you can use these 2 metals to adjust air volume.



Step 2: You can loosen windpipe metal to adjust degree. 1 degree is maximum air volume. 3 degree is minimum air volume.



7. MAINTENANCE, INSPECTION

8.1 Safety Check

Check the points listed before operating the machine. These checks are necessary for safe machine operation:

1. Try to run the game before operation each day.
2. Conduct monthly routine checks of game components ensure good working condition
3. Check the machine regularly for dust and clean when necessary.

Note: Parts and components require preventative maintenance to be kept running smoothly.

8.2 Handling Precautions

When installing or inspecting the machine, be very careful of the following points and pay attention to ensure that the player can enjoy the game safely.

Non-compliance with the following points or inappropriate handling running counter to the cautionary matters herein stated can cause personal injury or damage to the machine.



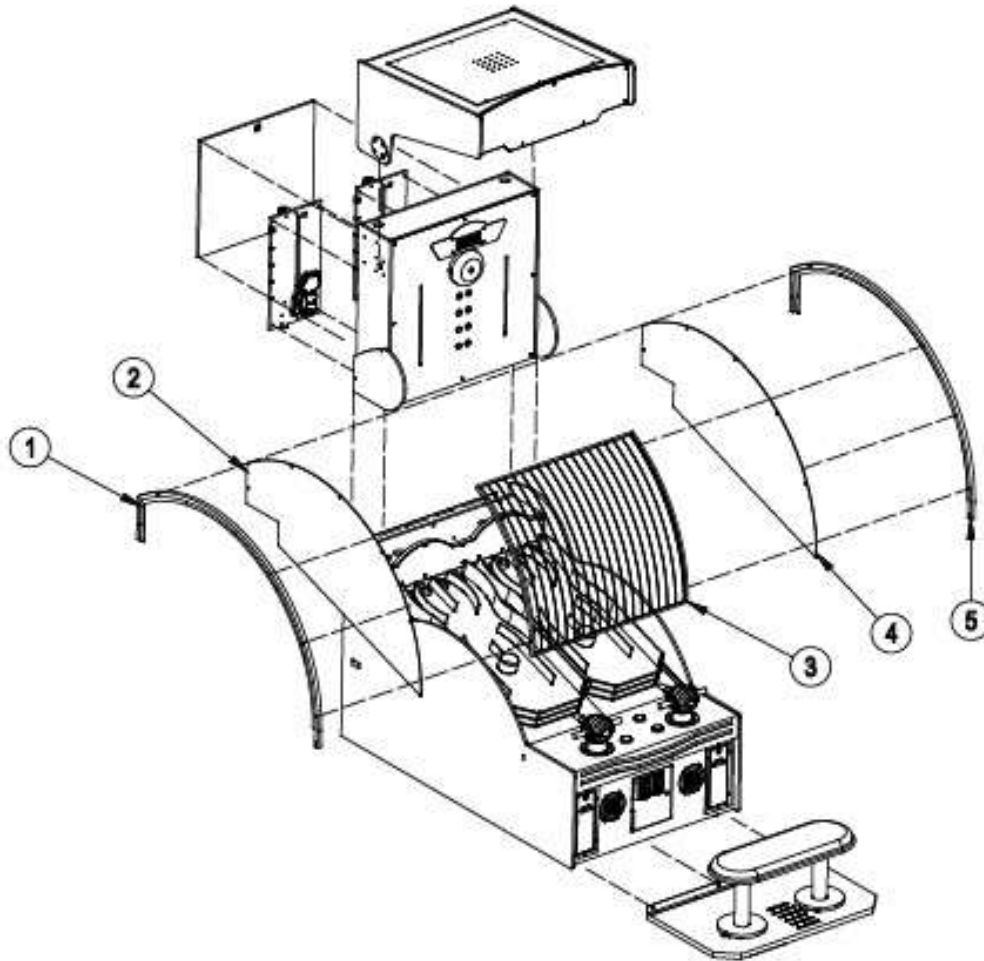
WARNING

- Before servicing the machine, be sure to turn power off. Servicing without turning the power off can cause electric shock or short circuit.
- To avoid electric shock or short circuit, do not plug then unplug the power quickly
- Do not expose power cords and earth wires, these are susceptible to damage.
- Damaged cords and wires can cause electric shock or short circuit and should be replaced immediately.
- When or after installing the product, avoid pulling the power cord to prevent unnecessary wear and tear. Use the power button to disconnect power.
- In case the power cord is damaged, ask for replacement through where the product was purchased from or replace locally. Continued usage of damaged cord can cause fire, electric shock or leakage.
- Perform grounding appropriately. Inappropriate grounding can cause electric shock.
- Use fuses that meet specified rating. Fuses exceeding can cause an electric shock.
- Should a problem occur, turn off the power immediately and stop operating the machine. Unplug the power cord of the service outlet. Operating the machine without correcting the problem may cause a fire or injuries.
- Insert the power plug securely into the outlet. Poor contact may cause overheating, resulting in fire or burns.
- To ensure the warning labels attached on the machine are visible and legible, install the machine in a well-lit location, and keep the labels clean at all times. Make sure the labels are not hidden behind other game machines.

8. OVERALL CONSTRUCTION

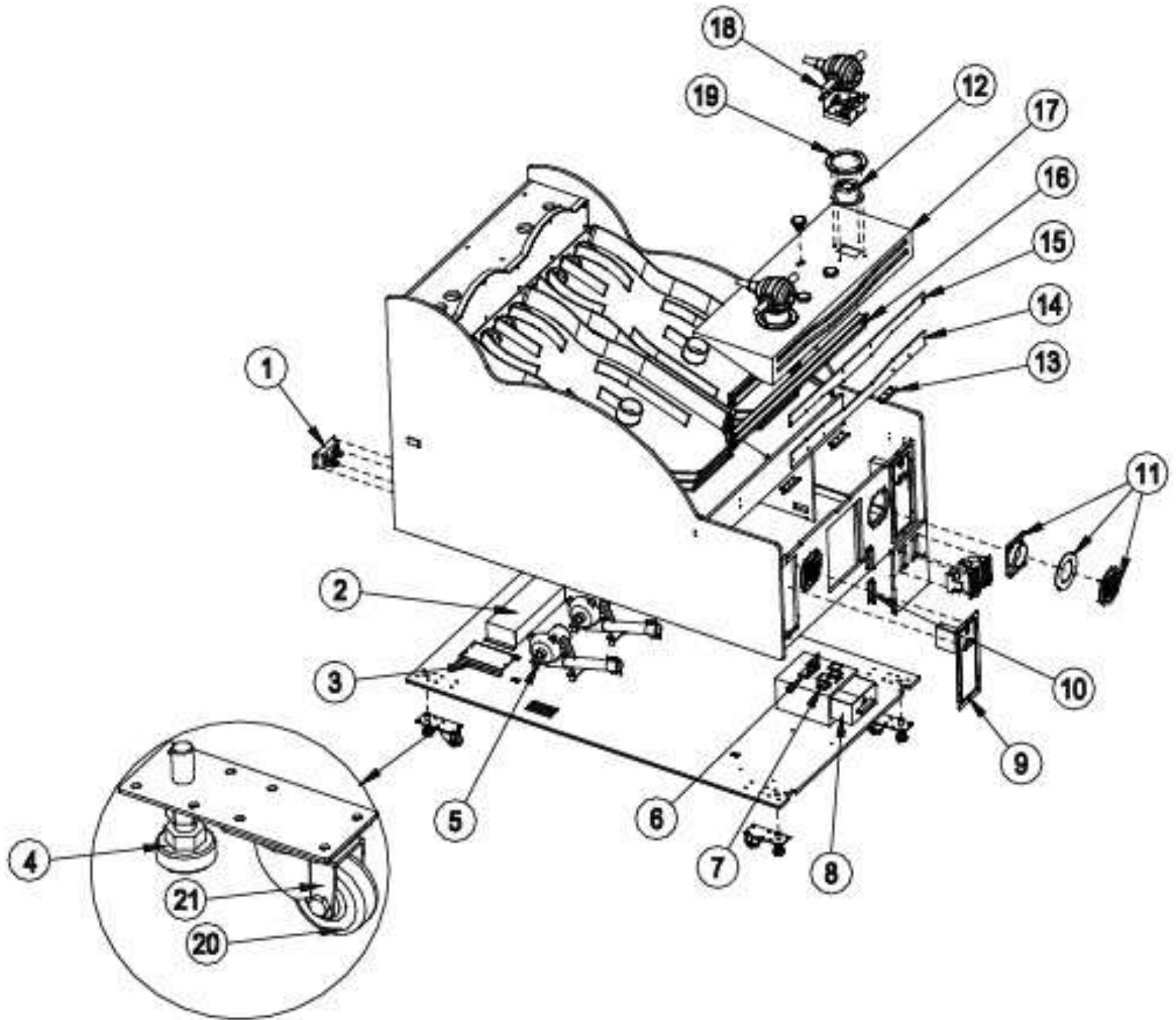
8.1 Mechanical Part

8.1.1 Side door assy.



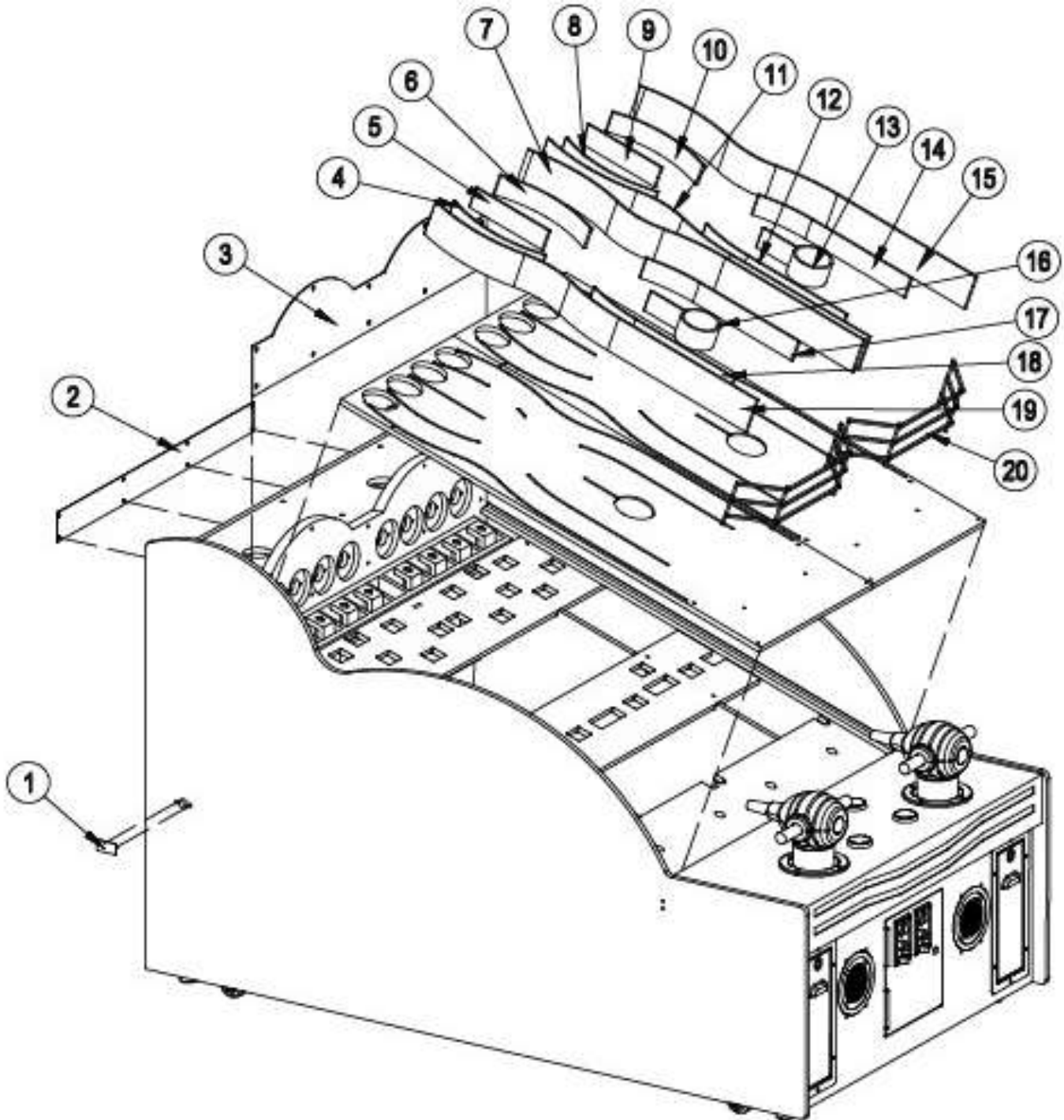
No.	Part No.	Code	Name	Qty
1	U103-101-000	20211301002	L bend	1
2	U103-601-000	20611301002	L side plexi.	1
3	U103-102-000	20211301005	Safety net	1
4	U103-601-000	20611301002	R side plexi.	1
5	U103-103-000	20211301003	R bend	1

8.1.2 Control panel, front door assy.



No.	Part No.	Code	Name	Qty
1	U103-104-000	26000005000	Wiring box support base	1
2	U103-105-000	20611301022	Protection cover A	1
3	U103-106-000	29911301013	Speaker assembly	2
4	U103-108-000	26000008000	2.5" leveller	4
5	U103-501-000	20311301037	Blower base board	2
	U103-401-000	23401001003	Blower(BR-211B)	2
	U103-112-000	20211301081	Gas connector	2
	U103-113-000	20211301080	Gas pipe hole platen	4
	U103-601-000	20211301079	Gas pipe	2
6	U103-114-000	20211301008	Meter bracket	1
7	U103-115-000	20211301015	Coin funnel	2
8	U103-116-000	20211301014	Coin inner box	1
	U103-402-000	25300172001	Lock	1
9	U103-117-000	26000018002	Ticket door	2
	U103-403-000	25300171001	Lock	2
10	U103-118-000	26300000001	Hinge	2
11	U103-119-000	29911301013	Speaker assembly	2
12	U103-602-000	20211301011	Gun expansion ring	2
13	U103-120-000	26300000011	Hinge	3
14	U103-603-000	20611301001	Control panel transparent plexi. A	1
15	U103-604-000	20611301021	Control panel transparent plexi. B	1
16	U103-121-000	20211301004	Control panel PCB bracket	2
17	U103-122-000	20211301001	Control panel	1
18	U103-001-000	29911301005	L&R gun	2
19	U103-605-000	20611301020	Gun expansion ring platen	4
20	U103-401-000	25501000056	2.5" castor	4
21	U103-110-000	TY-JX-010	2.5" castor support bracket	4

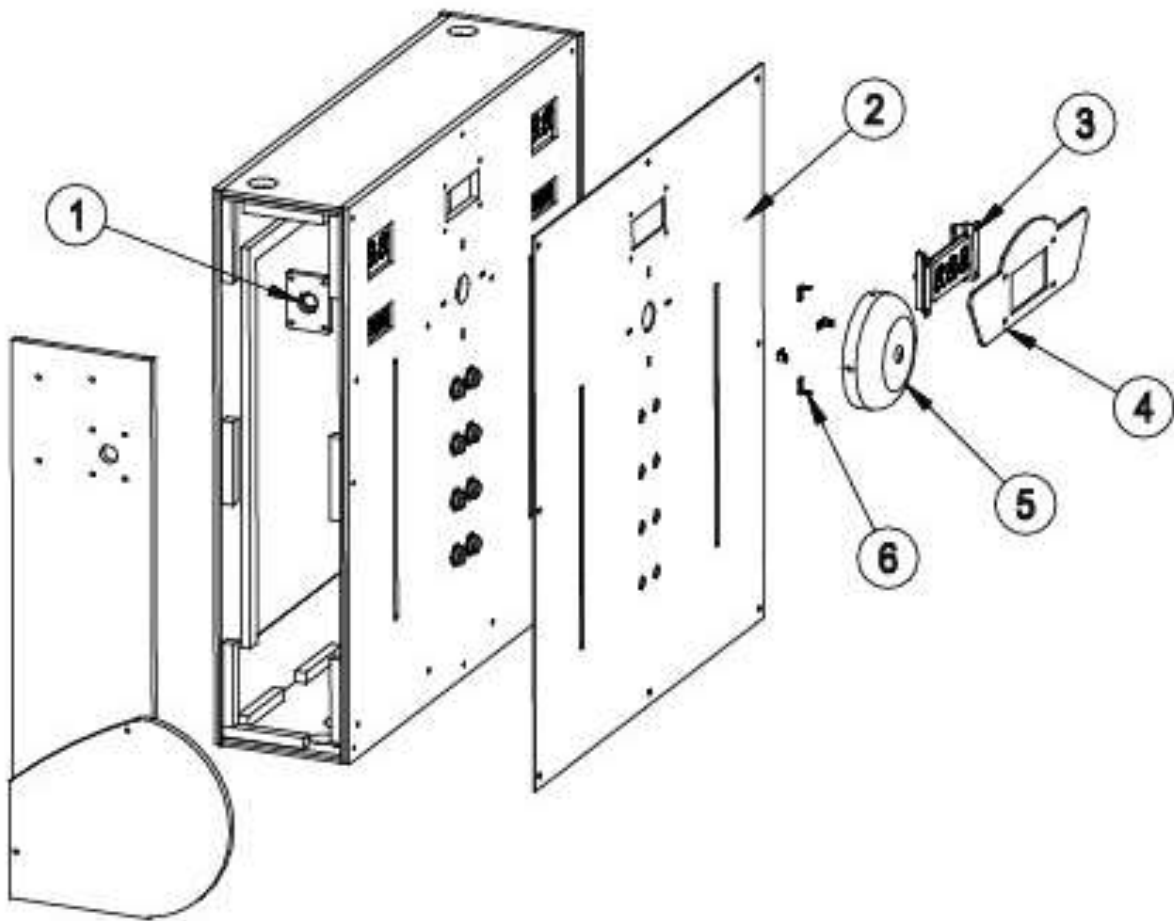
8.1.3 Fairway assy.





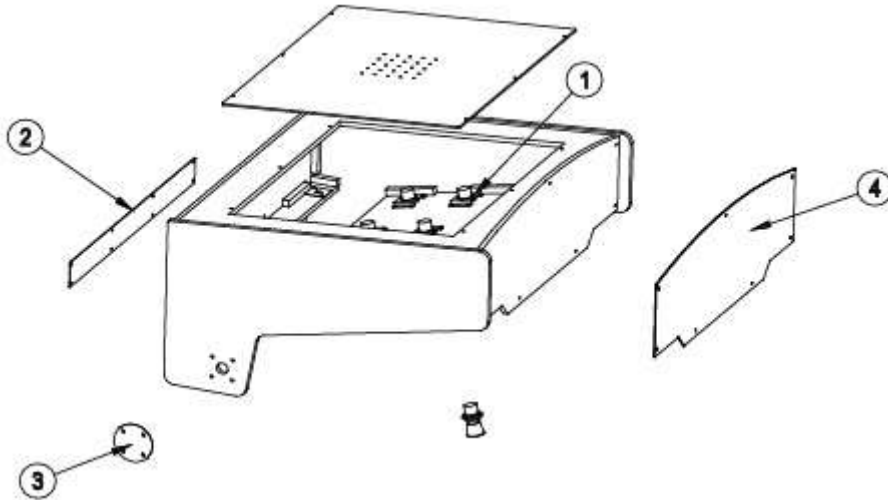
No.	Part No.	Code	Name	Qty
1	U103-606-000	20211301017	Retainer ring	2
2	U103-123-000	20211301029	Marquee fixed plate D	1
3	U103-607-000	20511301004	Star light board decal	1
4	U103-608-000	20611301004	L-side track piece B	1
5	U103-609-000	20611301005	L-side track piece C	1
6	U103-610-000	20611301009	L-side track piece G	1
7	U103-611-000	20611301008	L-side track piece F	1
8	U103-612-000	20611301012	R-side track piece B	1
9	U103-613-000	20611301013	R-side track piece C	1
10	U103-614-000	20611301017	R-side track piece G	1
11	U103-615-000	20611301011	R-side track piece A	1
12	U103-616-000	20611301014	R-side track piece D	1
13	U103-617-000	20611301015	R-side track piece E	1
14	U103-618-000	20611301018	R-side track piece H	1
15	U103-619-000	20611301016	R-side track piece F	1
16	U103-620-000	20611301007	L-side track piece E	1
17	U103-621-000	20611301010	L-side track piece H	1
18	U103-622-000	20611301006	L-side track piece D	1
19	U103-623-000	20611301003	L-side track piece A	1
20	U103-124-000	20211301016	Back stop	2

8.1.4 Main panel assy.



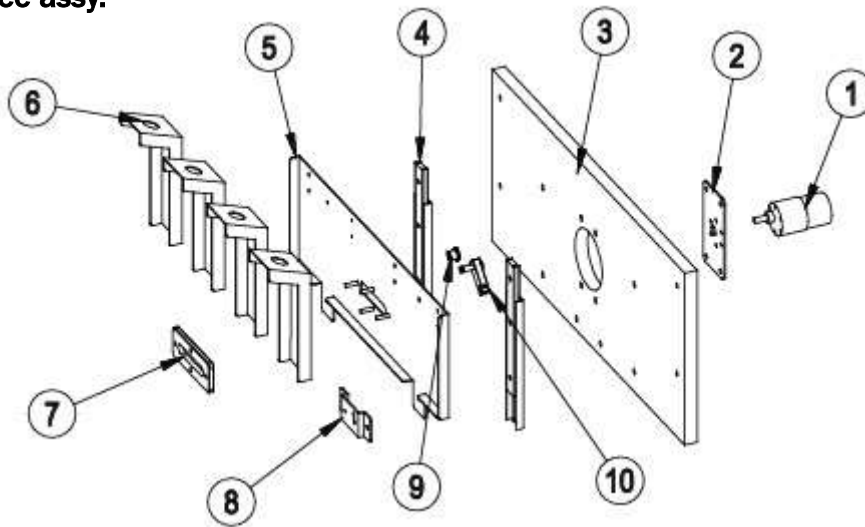
No.	Part No.	Code	Name	Qty
1	U103-125-000	20211301020	Bearing bracket	2
	U103-404-000	20106000136	Deep groove ball bearing	2
2	U103-624-000	GTSP-HM-01	Main panel decal	1
	U103-126-000	26000041000	3mm screw washer	8
3	U103-127-000	20211301021	Digital display board bracket	2
4	U103-625-000	20511301003	Digital display decal	1
5	U103-626-000	20511301005	Alarm bell decal	1
6	U103-128-000	GTSP-02-10	Alarm fixed plate	4

8.1.5 Marquee assy.



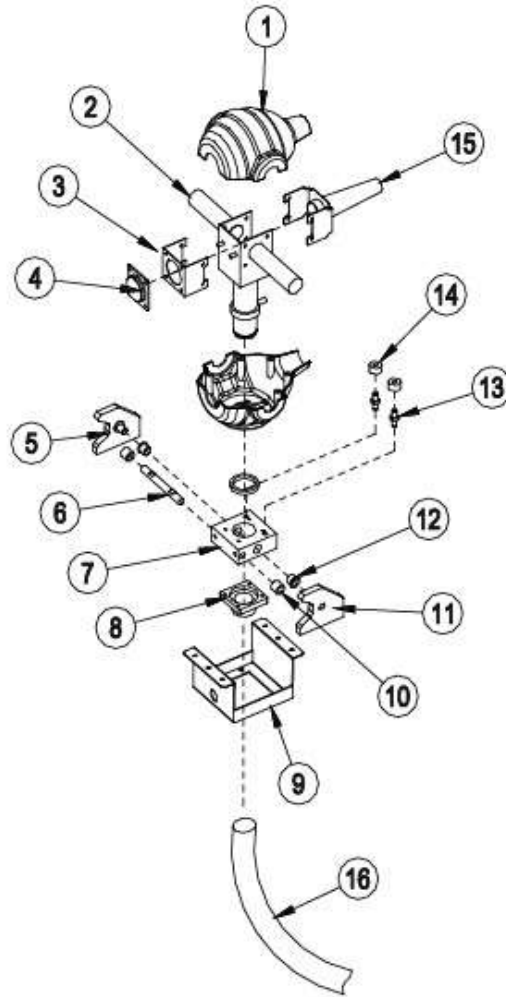
No.	Part No.	Code	Name	Qty
1	U103-129-000	20211301028	Spotlight bracket	16
2	U103-130-000	20211301029	Marquee fixed plate D	1
3	U103-131-000	20211301024	Marquee rotation axis	1
4	U103-627-000	20511301002	Marquee decal	1

8.1.6 Marquee assy.



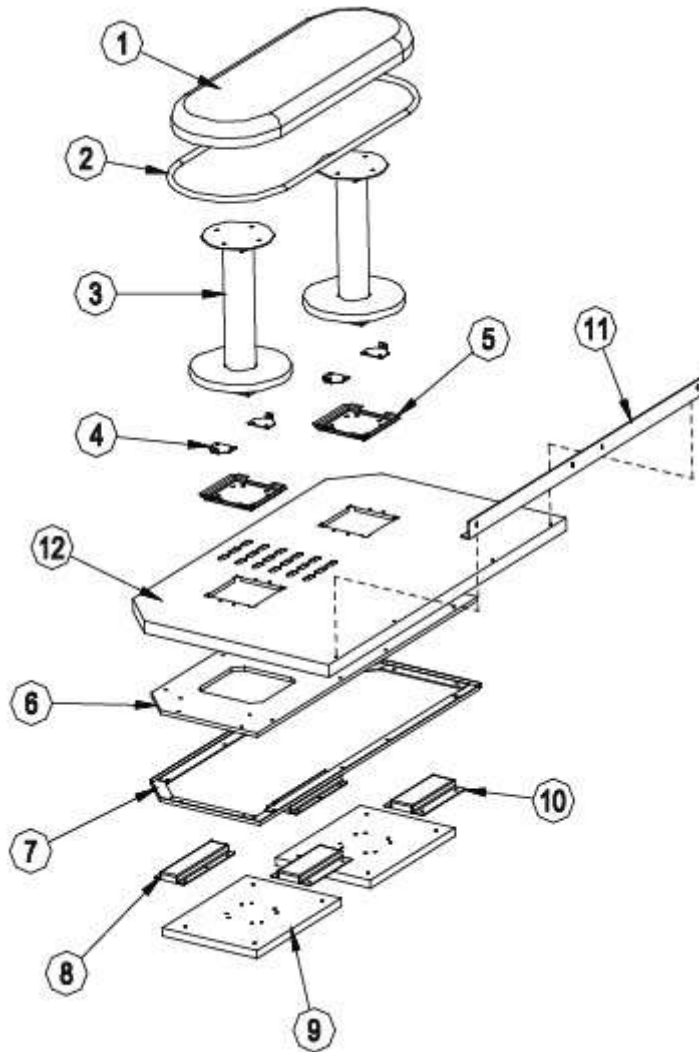
No.	Part No.	Code	Name	Qty
1	U103-405-000	23404000047	DC motor	1
2	U103-132-000	20211301031	PC fixed block	1
3	U103-502-000	20311301035	Gate mechanism action board	1
4	U103-406-000	25105000006	Guide rail	2
5	U103-133-000	20211301033	Slider block fixed board	1
6	U103-134-000	20211301035	Ejector bar	4
7	U103-135-000	20611301035	Slider block	1
8	U103-136-000	20211301034	SW bracket	1
9	U103-407-000	20106090135	Barrel bearing	1
10	U103-137-000	20211301032	Rocker arm	1

8.1.7 Gun assy.



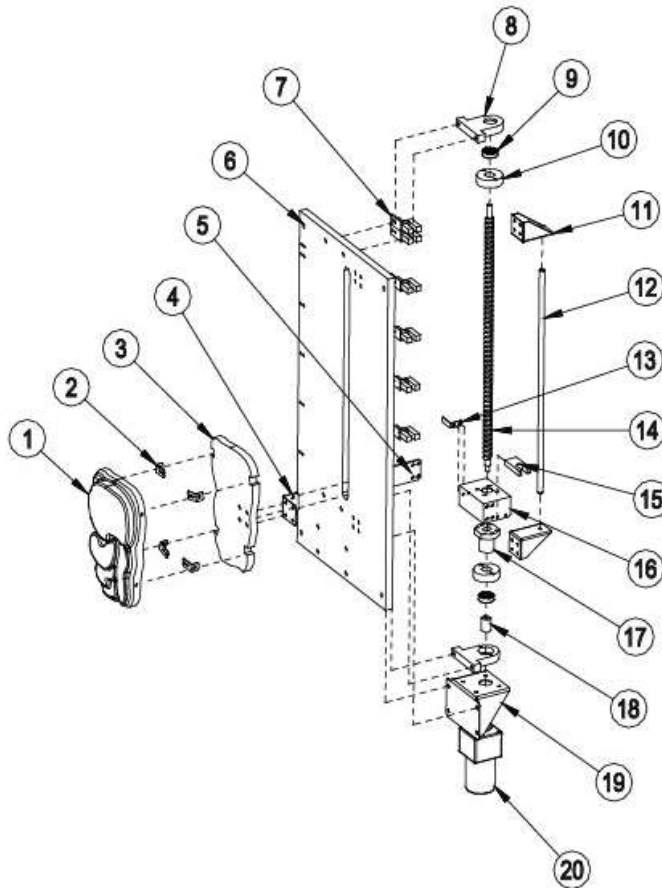
No.	Part No.	Code	Name	Qty
1	U103-628-000	20611301027	Gun shell	1
2	U103-138-000	20211301049	Gun handle	1
3	U103-139-000	20211301048	Gun light shade bracket	1
4	U103-629-000	20611301028	Gun light shade A	1
	U103-630-000	20611301025	Gun light shade B	1
5	U103-140-000	20211301038	Gun R fixed board	1
6	U103-141-000	20211301040	Up& down rocker limit pin	1
7	U103-142-000	20211301039	Gun up& down rocker pin block	1
8	U103-143-000	20211301050	Connection port	1
9	U103-144-000	20211301036	Gun mechanism fixed board	1
10	U103-631-000	20611301023	Up& down rocker limit pin sets	2
11	U103-145-000	20211301037	Gun L fixed board	1
12	U103-408-000	20106090133	Barrel bearing	2
13	U103-146-000	20211301042	L&R rocker limit pin	2
14	U103-632-000	20611301024	L&R rocker limit pin sets	2
15	U103-147-000	20211301043	Nozzle	1
16	U103-633-000	20211301079	Air pipe	2

8.1.8 Seat assy.



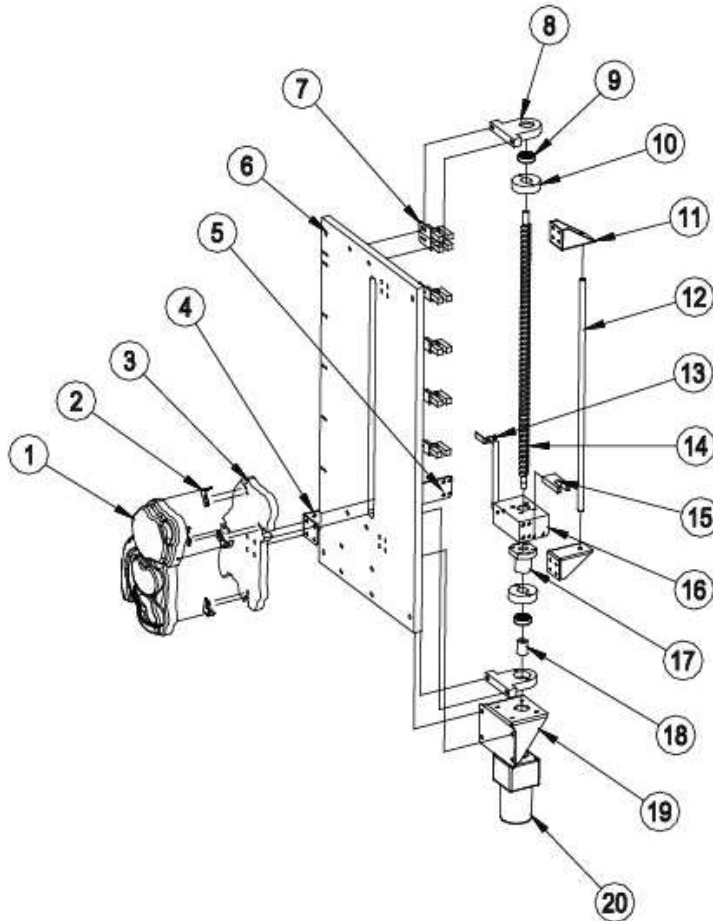
No.	Part No.	Code	Name	Qty
1	U103-634-000	20611301032	Seat surface	1
2	U103-148-000	20211301078	Stainless steel ring	1
3	U103-149-000	20211301077	Seat standard	2
4	U103-150-000	20211301074	Seat cover fixed metal	4
5	U103-635-000	20611301033	Shockproof sheet A	1
	U103-636-000	20611301034	Shockproof sheet B	1
6	U103-637-000	20611301031	Light barrier	1
7	U103-151-000	20211301067	Light bar fixed board	1
8	U103-152-000	20211301075	Connection plate 1	2
9	U103-153-000	20211301073	Seat standard fixed plate	2
10	U103-154-000	20211301076	Connection plate 2	2
11	U103-155-000	20211301072	Seat connection plate	1
12	U103-156-000	20211301063	Seat base	1

8.1.9 Rabbit assy.



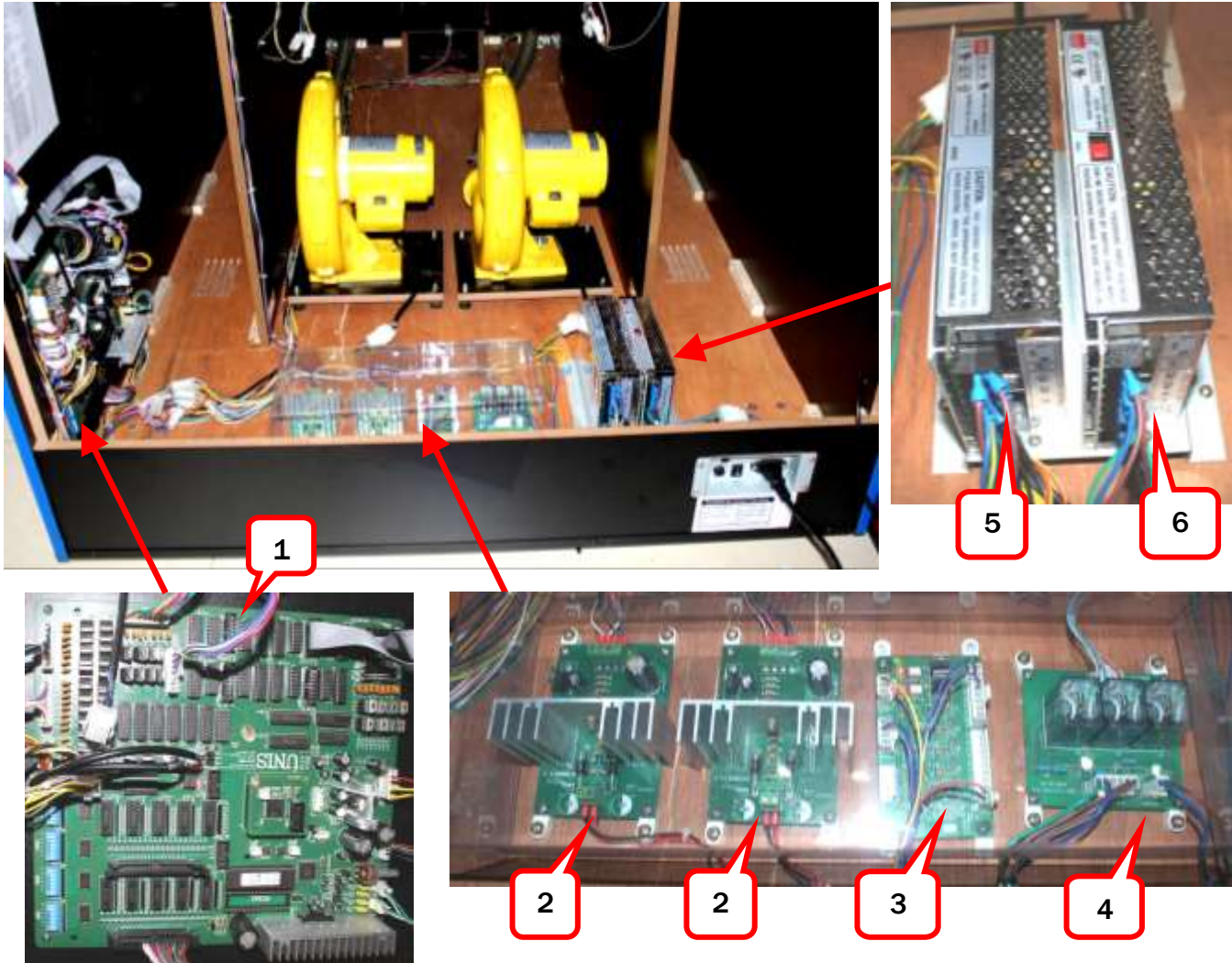
No.	Part No.	Code	Name	Qty
1	U103-638-000	20511301007	Rabbit vacuum foam	1
2	U103-157-000	20211301059	Connection plate	4
3	U103-503-000	20311301039	Rabbit fixed board	1
4	U103-158-000	20211301062	Tortoise& rabbit fixed plate	1
5	U103-159-000	20211301061	Tortoise& rabbit connection plate	1
6	U103-504-000	20311301036	Rising mechanism fixed plate	1
7	U103-160-000	20211301056	Sensor fixed metal	5
8	U103-161-000	20211301051	Lead screw bearing base	2
9	U103-409-000	20106000020	Deep groove ball bearing	2
10	U103-639-000	20611301030	Buffer block	2
11	U103-162-000	20211301058	Principal axis fixed base	2
12	U103-163-000	20211301060	Registration arm	1
13	U103-164-000	20211301055	Sensor baffle	1
14	U103-165-000	20211301052	Lead screw	1
15	U103-166-000	20611301029	Location block	1
16	U103-167-000	20211301054	Rising support plate	1
17	U103-168-000	20211301053	Lead screw sleeve	1
18	U103-169-000	20211301057	Motor fixed base	1
19	U103-410-000	23404000077	DC gear motor	1
18	U103-329-000		Flexible Coupler	2

8.1.10 Tortoise assy.

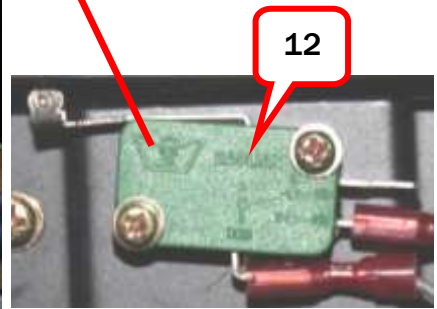
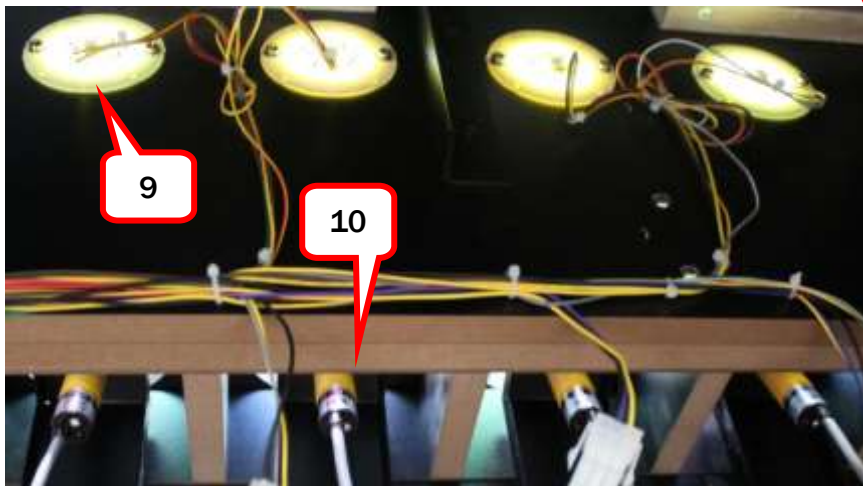
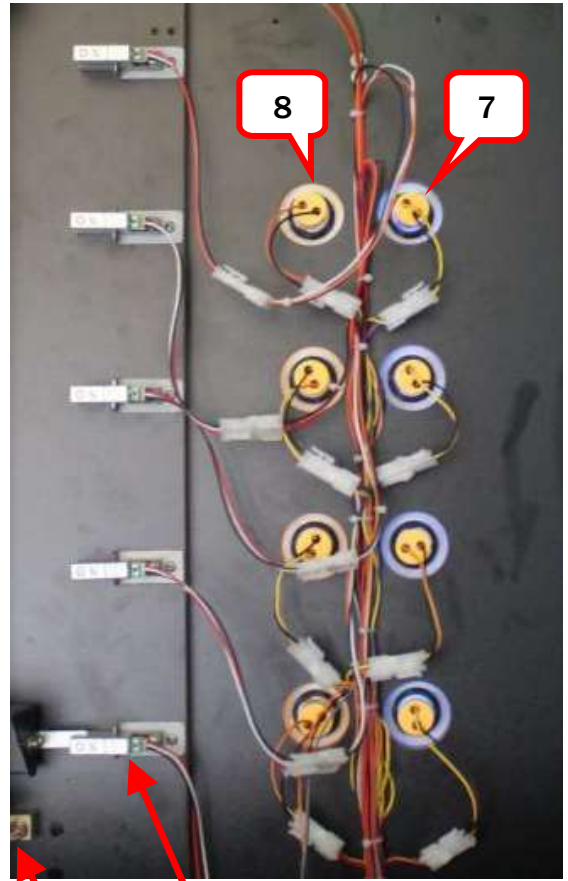


No.	Part No.	Code	Name	Qty
1	U103-640-000	20511301006	Tortoise vacuum foam	1
2	U103-157-000	20211301059	Connection plate	4
3	U103-505-000	20311301038	Tortoise fixed board	1
4	U103-158-000	20211301062	Tortoise& rabbit fixed plate	1
5	U103-159-000	20211301061	Tortoise& rabbit connection plate	1
6	U103-504-000	20311301036	Rising mechanism fixed plate	1
7	U103-160-000	20211301056	Sensor fixed metal	5
8	U103-161-000	20211301051	Lead screw bearing base	2
9	U103-409-000	20106000020	Deep groove ball bearing	2
10	U103-639-000	20611301030	Buffer block	2
11	U103-162-000	20211301058	Principal axis fixed base	2
12	U103-163-000	20211301060	Registration arm	1
13	U103-164-000	20211301055	Sensor baffle	1
14	U103-165-000	20211301052	Lead screw	1
15	U103-166-000	20611301029	Location block	1
16	U103-167-000	20211301054	Rising support plate	1
17	U103-168-000	20211301053	Lead screw sleeve	1
18	U103-169-000	20211301057	Motor fixed base	1
19	U103-410-000	23404000077	DC gear motor	1

8.2 Electrical Part



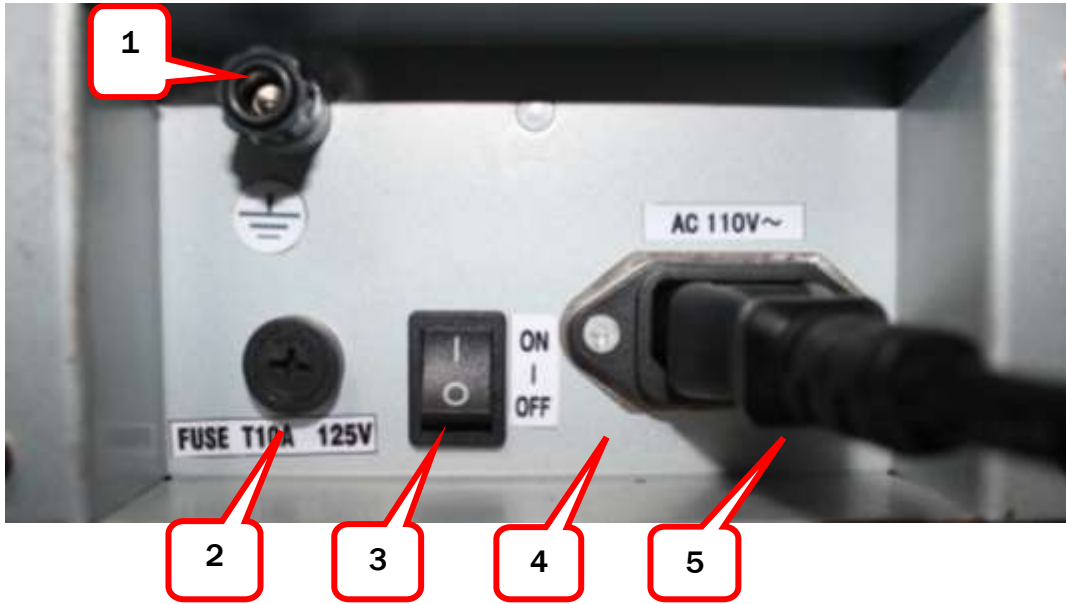
No.	Part No.	Code	Name	Qty
1	U103-401-000	21701000014	IO board	1
2	U103-402-000	21713000011	Motor control PCB	2
3	U103-433-000	21714000153	Blower PCB	1
4	U103-405-000	21709000001	Relay PCB	1
5	U103-403-000	21602000094	Power supply	1
6	U103-404-000	21602000010	Power supply	1



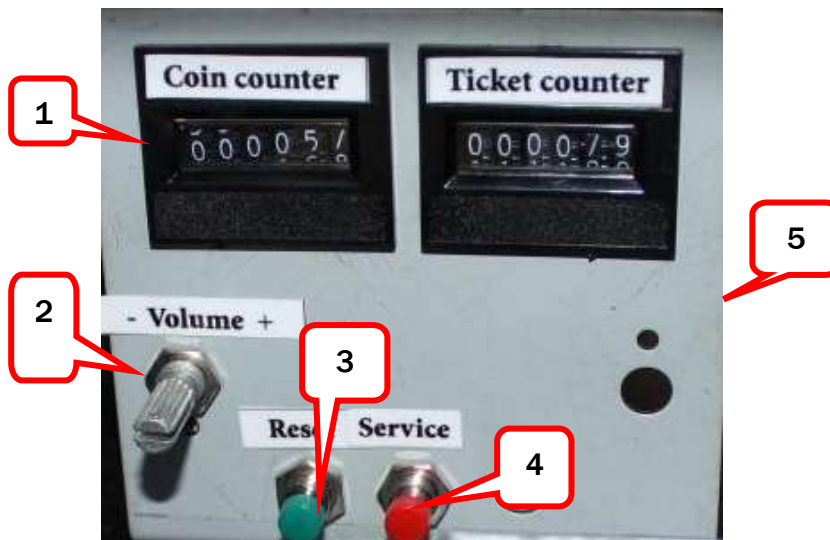
No.	Part No.	Code	Name	Qty
1	U103-428-000	22003080001	Marquee light	1
2	U103-427-000	22004070001	Marquee spotlight	16
3	U103-408-000	21706000037	Bonus digital board	1
4	U103-407-000	21706000047	Time digital board	2
5	U103-406-000	21706000032	Score/ticket digital board	2
6	U103-431-000	29711301001	Fire protection bell light PCB	1
7	U103-436-000	22008000036	Tortoise indicator light	4
8	U103-437-000	22008000040	Rabbit indicator light	4
9	U103-409-000	20740930001	Star light PCB	8
10	U103-426-000	21501000014	Ball detection sensor	8
11	U103-424-000	21503000021	Lift sensor	10
12	U103-434-000	22604000006	Lift micro SW	4



No.	Part No.	Code	Name	Qty
1	U103-409-000	20740930001	Gun light PCB	10
2	U103-432-000	22401000005	Control panel button	4
3	U103-423-000	23100000006	Ticket dispenser	2
4	U103-435-000	22301000001	Coin mech.	2
5	U103-410-000	20731101001	Speaker PCB	2
	U103-411-000	22801000005	Speaker	2

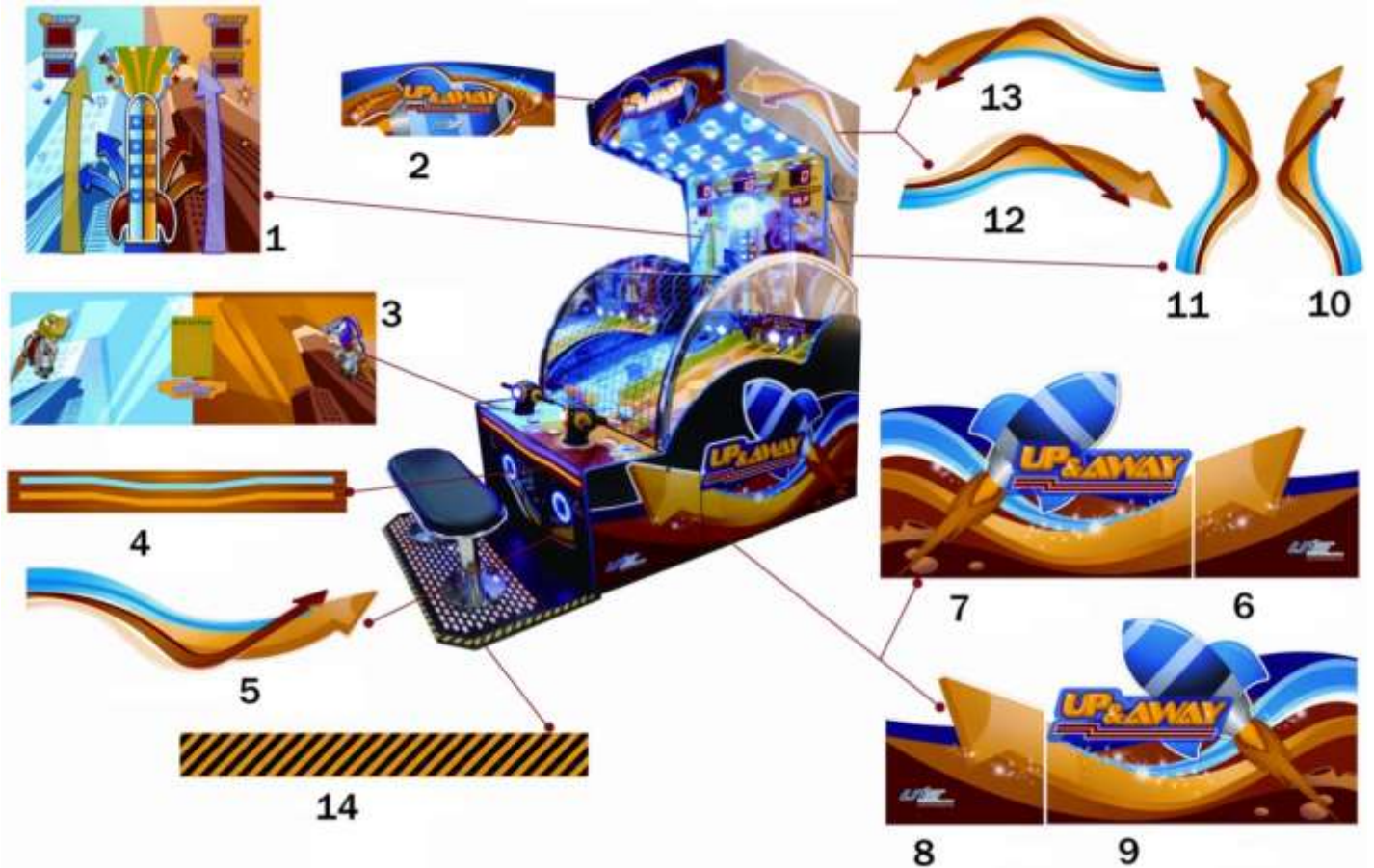


No.	Part No.	Code	Name	Qty
1	U103-413-000	21412000001	Terminal	1
2	U103-415-000	21901000013	Fuse	2
3	U103-412-000	22601000005	Small rocket SW	1
4	U103-414-000	23201000001	Filter	1
5	U103-438-000	23301000001	Power cord	1



No.	Part No.	Code	Name	Qty
1	U103-421-000	23000000005	Meter	2
2	U103-416-000	22403000001	POT knob	1
	U103-418-000	22501000017	POT	1
3	U103-419-000	22402030001	Reset button(green)	1
4	U103-420-000	22402010001	Service button(red)	1
5	U103-417-000	21709000002	POT connection board	1

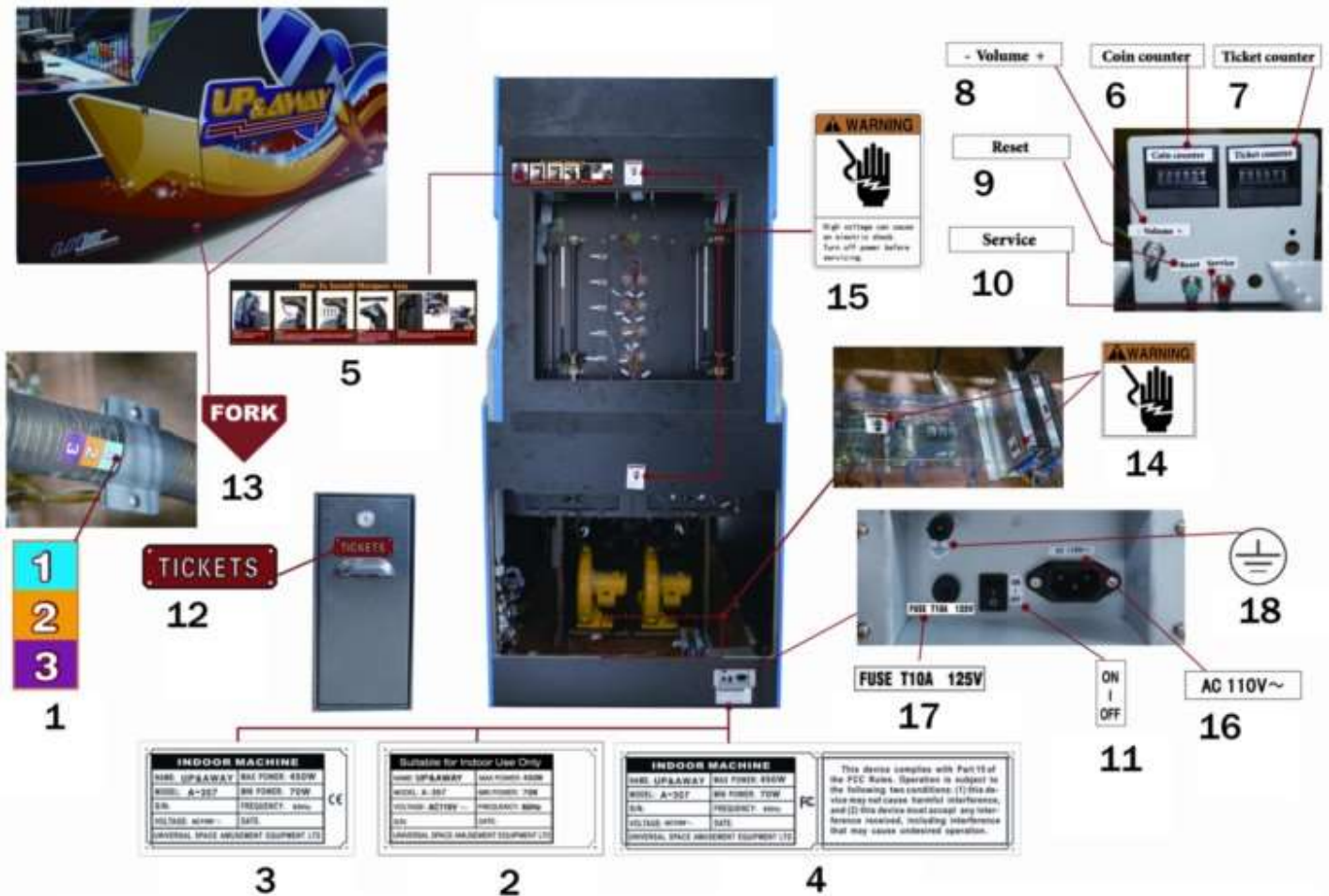
9. Decal



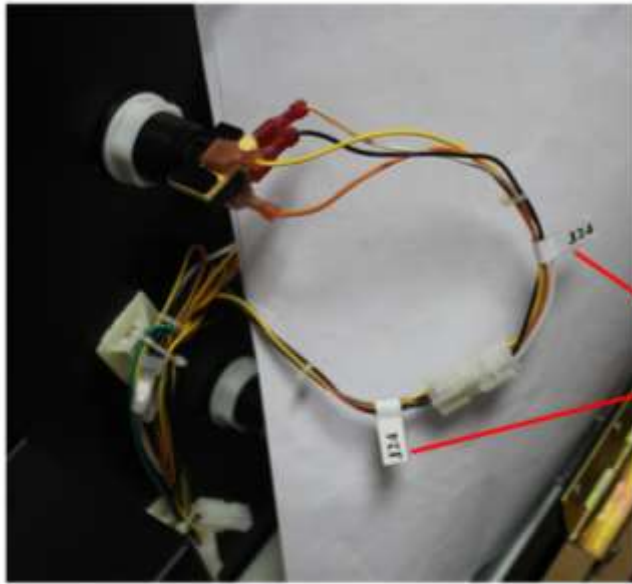
No.	Part No.	Code	Name	Qty
1	U103-701-000	20511301001	Main panel decal	1
2	U103-702-000	20511301002	Marquee decal	1
3	U103-703-000	20511301010	Control panel decal	1
4	U103-704-000	20511301011	Control panel light PCB decal	1
5	U103-705-000	20511301012	Front door decal	1
6	U103-706-000	20511301013	Base L front decal	1
7	U103-707-000	20511301014	Base L back decal	1
8	U103-708-000	20511301015	Base R front decal	1
9	U103-709-000	20511301016	Base R back decal	1
10	U103-710-000	20511301017	L decal	1
11	U103-711-000	20511301018	R decal	1
12	U103-712-000	20511301019	Marquee L decal	1
13	U103-713-000	20511301020	Marquee R decal	1
14	U103-714-000	20511301025	Seat label	1



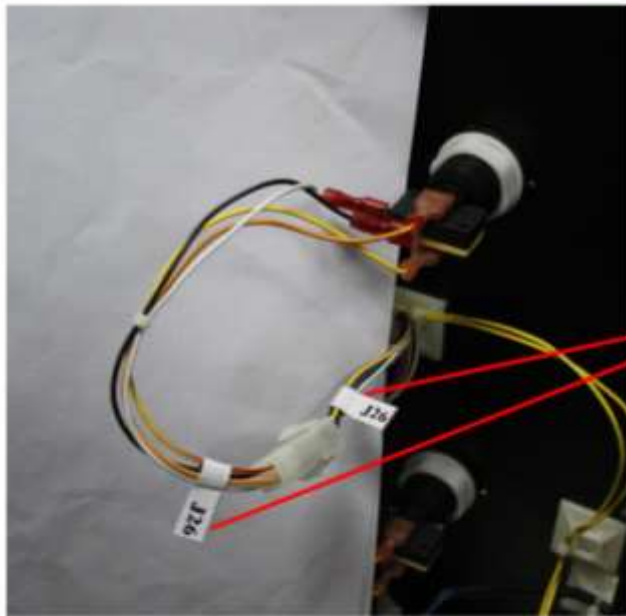
No.	Part No.	Code	Name	Qty
1	U103-715-000	20511301003	Bonus LED decal	1
2	U103-716-000	20511301004	Star light PCB decal	1
3	U103-717-000	20511301005	Alarm bell decal	1
4	U103-718-000	20511301006	Tortoise vacuum foam	1
5	U103-719-000	20511301007	Rabbit vacuum foam	1
6	U103-720-000	20511301008	L fairway decal	1
7	U103-721-000	20511301009	R fairway decal	1
8	U103-722-000	20511301021	1P link button decal	1
9	U103-723-000	20511301022	1P single button decal	1
10	U103-724-000	20511301023	2P link button decal	1
11	U103-725-000	20511301024	2P single button decal	1



No.	Part No.	Code	Name	Qty
1	U103-726-000	20511301026	Number label	2
2	U103-727-000	20511301027	Non-certification 110V nameplate	1
3	U103-728-000	20511301028	CE certification 110V nameplate	1
4	U103-729-000	20511301029	FCC certification 110V nameplate	1
5	U103-730-000	GTSP-HM-30	Instruction label	1
6	U103-731-000	25600000001	Coin counter label	1
7	U103-732-000	25600000002	Ticket counter label	1
8	U103-733-000	25600000003	Volume label	1
9	U103-734-000	25600000006	Reset label	1
10	U103-735-000	25600000009	Service label	1
11	U103-736-000	25600000017	Power SW label B	1
12	U103-737-000	25600000034	Tickets label	2
13	U103-738-000	25600000035	Fork label	4
14	U103-739-000	25600000036	High voltage warning(small)	2
15	U103-740-000	25600000037	High voltage warning(large)	2
16	U103-741-000	25600000071	New voltage 110V	1
17	U103-742-000	25600000074	Fuse T5A/250V	1
18	U103-743-000	25600000091	New ground wiring label	1



J24 **J24**



J26 **J26**

J24	J24
J24	J24
J26	J26
J26	J26

1

No.	Part No.	Code	Name	Qty
1	U103-744-000	20511301031	Wiring label	1

IO chart

SW1

Item	Content	1	2	3	4	5	6	7	8
Coin per game	1	ON	ON	ON					
	2	off	on	on					
	3	on	off	on					
	4	off	off	on					
	1/2	on	on	off					
	1/3	off	on	off					
	1/4	on	off	off					
	0	off	off	off					
Game time	30S				ON	ON			
	40S				off	on			
	50S				on	off			
	60S				off	off			
Demo music	120s						on	on	
	180s						off	on	
	240s						on	off	
	OFF						OFF	OFF	

SW2

Item	Content	1	2	3	4	5	6	7	8
Ticket of each hole	1	on	on	on					
	2	off	on	on					
	3	ON	OFF	ON					
	4	off	off	on					
	5	on	on	off					
	10	off	on	off					
	11	on	off	off					
	20	off	off	off					
Ticket error	Continue to play				ON				
	Call attendant				off				
BONUS activate in single play	YES					ON			
	NO					off			

SW3

Item	Content	1	2	3	4	5	6	7	8
Fixed ticket	YES	on							
	NO	OFF							
Fixed ticket setting	0		ON	ON					
	1		off	on					
	2		on	off					
	3		off	off					
Mercy ticket	0				on	on			
	1				OFF	ON			
	2				on	off			
	3				off	off			
Link payout mode*	A						ON	ON	
	B						off	on	
	No ticket						on	off	
BONUS memory	YES								ON
	NO								off

SW4



Item	Content	1	2	3	4	5	6	7	8
Bonus + per coin	0	ON	ON						
	1	off	on						
	2	on	off						
	3	off	off						
Linkup Bonus+ per player (activate when more than 1 player playing)	1			on	on	on			
	2			OFF	ON	ON			
	5			on	off	on			
	10			off	off	on			
	15			on	on	off			
	20			off	on	off			
	25			on	off	off			
	50			off	off	off			
Linkup BONUS ticket	5						on	on	on
	10						off	on	on
	25						ON	OFF	ON
	50						off	off	on
	75						on	on	off
	100						off	on	off
	200						on	off	off
	250						off	off	off

- Note: If one of the player win the Bonus, two ticket payout mode as below:
- A: Winner gets Bonus ticket. Loser gets what he got for hole score
- B: Winners get Bonus ticket.Loser gets mercy ticket.



Have Questions? Contact us!

www.universal-space.com

 International Support Center	 USA Support Center
Tel: +1-905-477-2823 Fax: +1-905-477-2660 Email: service@universal-space.com (Contact: Clement Yau)	Tel: 972-241-4263 Fax: 214-919-4918 Email: tsnelling@unisusasupportcenter.com (Contact: Tim Snelling)