

TIME OUT

110V



IMPORTANT



Be Sure
to Read this
Manual
Before Use

UNIS[®]

UNIS TECHNOLOGY

Operation Manual

WE ARE HERE TO ASSIST For parts and service



Have Questions? Contact us!

UNIS SERVICE CENTER
Tel: 972-241-4263
Email: service@unispartsandservice.com
www.unispartsandservice.com

When contacting Service, you will need the following information and the name of your authorized distributor.

INDOOR MACHINE	
NAME: Time Out GMP	MAX POWER: 858W
MODEL: A-509	MIN POWER: 830W
S/N:	FREQUENCY: 50/60Hz
VOLTAGE: AC110V~	DATE:
Guangdong UNIS Technology Co.,Ltd.	

CONTENT

IMPORTANT SAFETY INSTRUCTIONS 3

1. SPECIFICATIONS 5

2. CONTENTS OF THE ACCESSORY KIT 6

3. PART NAME 7

4. SET UP & INSTALLATION 8

5. HOW TO PLAY 11

6. GAME OPTION12

7. TROUBLESHOOTING 14

8. MAINTENANCE & INSPECTION15

9. OVERALL CONSTRUCTION 16

10.WIRING DIAGRAM 33

Thank you for purchasing **Time Out GMP**. We hope you enjoy the product.

This manual contains valuable information about how to operate and maintain your game machine properly and safely. It is intended for the owner and/or personnel in charge of product operation. Carefully read and understand the instructions.

If you need any help during installation and setup please utilize this manual and troubleshooting guide. If the product fails to function properly, *non-technical personnel should under no circumstance attempt to service the machine*. Contact your distributor or manufacturer for help.

Before use, please read **IMPORTANT SAFETY INSTRUCTIONS**.

IMPORTANT SAFETY INSTRUCTIONS

To ensure the safe usage of this product, carefully read and understand these instructions before operating your game.

Save these instructions for future reference.

Use this product only as described in this manual. Other uses not recommended may cause fire, electric shock or personal injury. Unplug the game from the outlet when not in use, when moving from one location to another, and before cleaning/servicing.

Explanations which require special attention are indicated by signs of warning. Depending on the potential hazardous degree, the terms: **NOTE**, **NOTICE**, and **WARNING** are used.

NOTE: A NOTE indicates useful hints or information about product usage.

NOTICE: A NOTICE indicates potential damage to product and how to avoid the problem.

WARNING: A WARNING indicates a potential for product damage or serious personal injury.

It is important to understand the meaning of the following HAZARD SIGNS before continuing:

High Voltage and Shock Hazard:

High voltage can cause electric shock.
Turn off/unplug power before servicing.



High Temperature Hazard:

This part may cause scalding.
Do not touch. Surface may be hot.



No Touching Hazard:

This part may be hot or can cause electric shock.
Do not touch.



Use the following safety guidelines to help ensure your own personal safety and to help protect your equipment and surrounding environment from potential damage.

⚠️ This product is an indoor game machine. Do not install outdoors.

Avoid installing in the following places to prevent fire, electric shock, injury and/or machine malfunctioning:

- Places subject to rain/moisture, or places subject to high humidity.
- Places subject to direct sunlight, or places subject to extremely hot or cold temperatures to ensure that it is used within the specified operating range.
- Places where inflammable gas may be present or in the vicinity of highly inflammable/volatile chemicals or items that can easily catch fire.
- On unstable or sloped surfaces. The machine may topple or cause unforeseen accidents.
- Vicinity of fire exits, fire extinguishers etc that may block/prevent safety measures.

IMPORTANT NOTE:

ALL REPAIRS MUST BE DONE TO ORIGINAL MANUFACTURER SPECIFICATIONS. FAILURE TO DO SO VOID ALL WARRANTIES AND OPERATOR ASSUMES ALL RISKS.

Note: The contents of this manual may be updated without notice.

1. SPECIFICATIONS

Rated power supply: AC110V 50/60Hz;

Min. Power consumption: 830W

Max. Power consumption: 858W


Dimension: H98.13×W61.41×D34.37 in

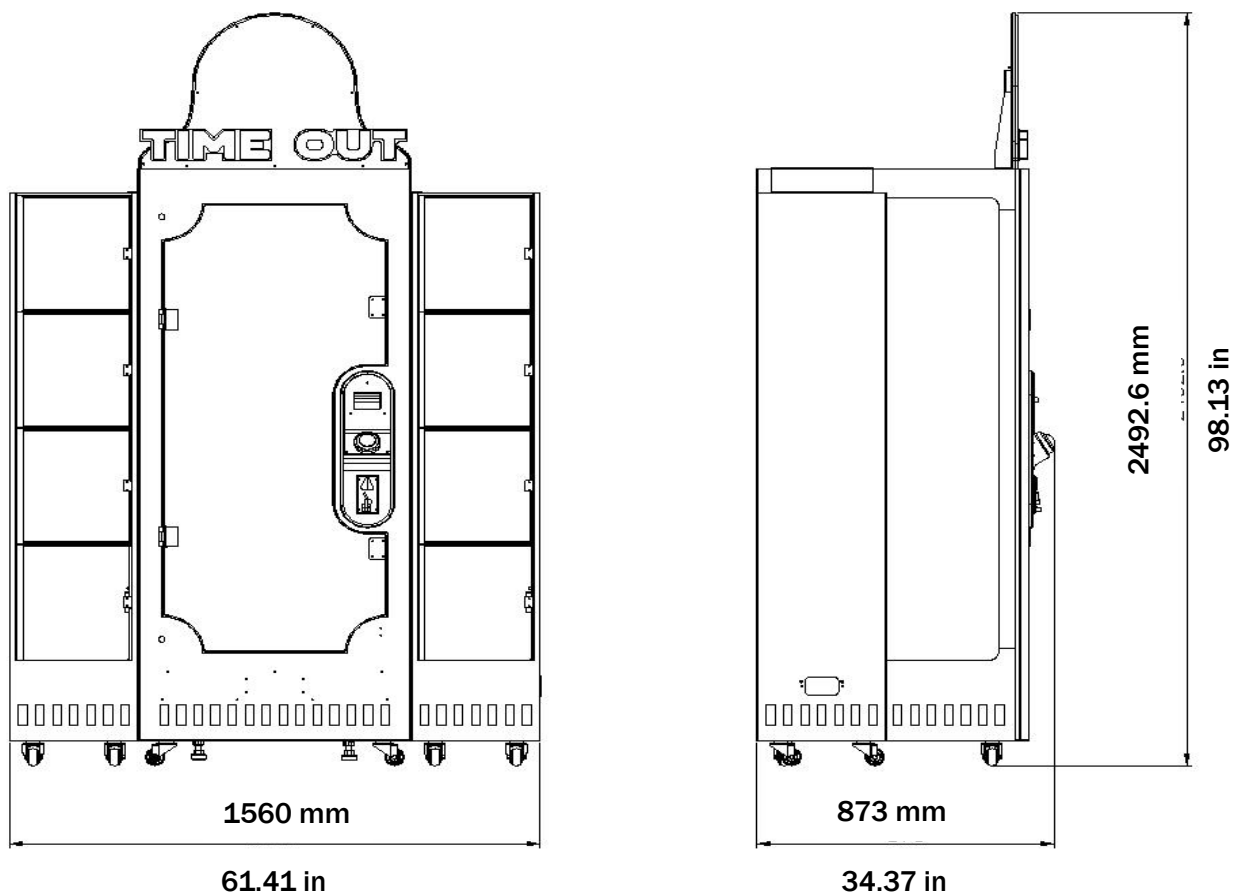
H2492.6×W1560 ×D873 mm

Weight: Approximately 674.61 lb/306 KG

Model No: A-509

Part no.: T164

 **NOTICE** : After turning off the game, please wait at least 1 minute before restarting again.













Note: Game specifications are subject to change without notice.

2. CONTENTS OF THE ACCESSORY KIT

Open the package and make sure all the items are included:

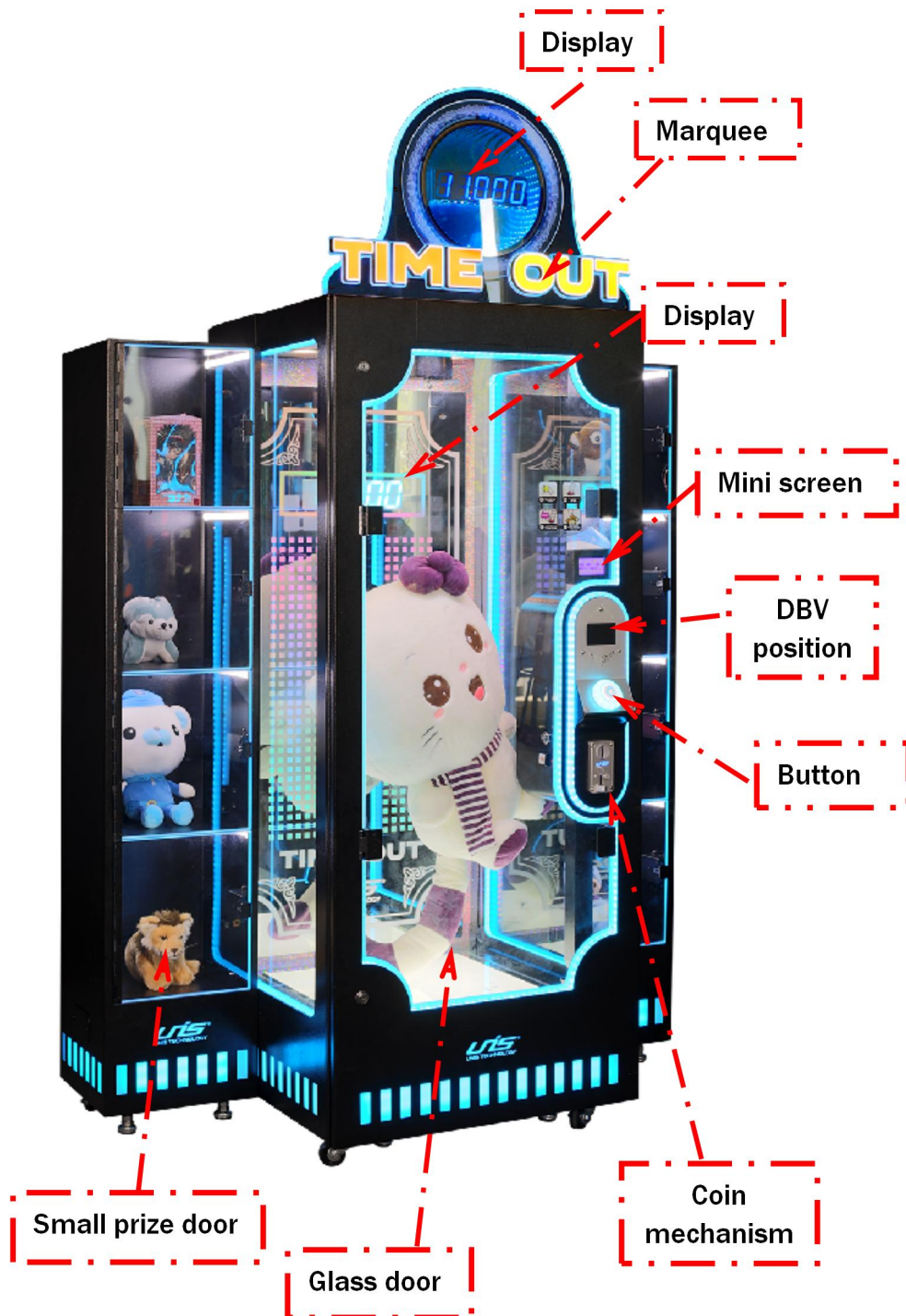
Following accessories

No.	Part No.	Code No.	Name/SPEC	Picture	Qty
1	T164-0803-00	2.53.00608837	1408a key		2
2	T164-0804-00	2.53.00608838	1408b key		1
3	T164-0805-00	2.53.00608839	1408c key		1
4	T164-0806-00	2.33.01.010020	Power cord		1
5	T164-0802-00	2.51.08.010023	String		1
6	T164-0811-00	/	Manual		1
7	T164-0807-00	2.19.01.000013	Fuse Φ5×20 T10A/250V		1
8	T164-0808-00	2.19.01.000015	Fuse φ5×20mm T6.3A/250V		1
9	T164-0809-00	2.19.01.000012	Fuse Φ5×20mm T5A/250VAC		5
10	T164-0801-00	202.2.2306.001	Coin mech. Blanking plate		1

NOTE: Part models are subject to change without notice.

3. PART NAME

Key Components



4. SET UP & INSTALLATION

! NOTICE

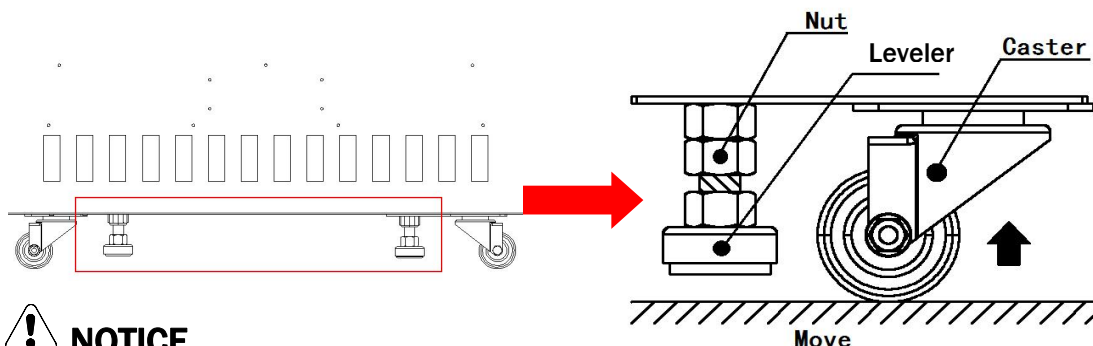
We do not recommend using power tools as they may cause damage.

! This product is an indoor game machine. Do not install outdoors.

- Refer to IMPORTANT SAFETY INSTRUCTIONS (Pg. 3) for places to avoid.
- Place the unit on a dry level surface.
- Ventilation openings in the back of the unit must not be obstructed by objects or by wall.

4.1 Transporting the Game

If you need to move the game, adjust the levelers back to an “up” position.



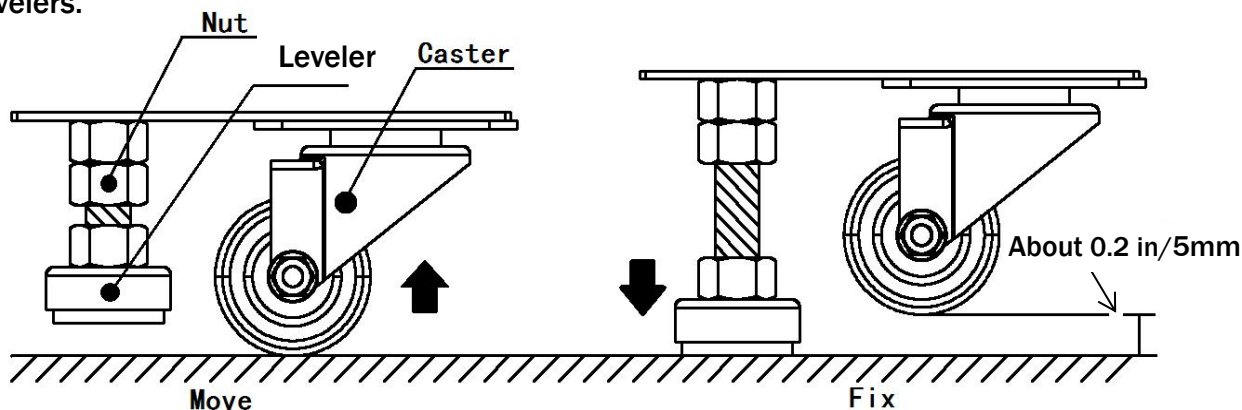
! NOTICE

- Be careful not to damage the machine during transport.
- Always unplug the game before moving.
- Keep the machine in upright position during transport.
- For longer distance transport, package the game properly to prevent damages.

4.2 Level Adjustment

Install this game on a flat surface. If the game is installed on an unsuitable floor, it could cause game malfunction.

To secure the game, loosen the nut, utilize wrench to adjust the leveler down until it touches the floor, lifting the casters off the ground by 0.2 in/5mm. Repeat the same for all levelers.



! NOTICE

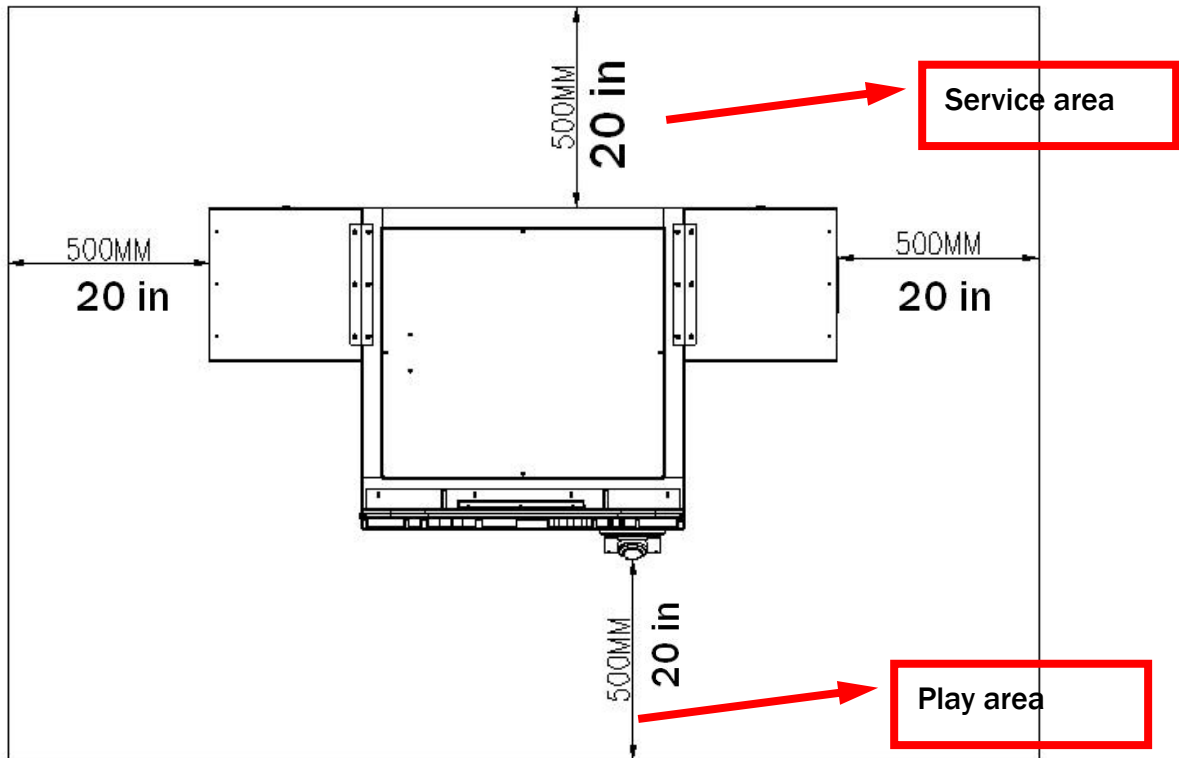
Make sure the machine is level.

4.3 Play Zone

This machine requires space for playing and for maintenance as shown below.

Leave space around the game upon installation:

Service area: 20 in





NOTICE

Your unit must be leveled to operate properly.

4.4 Machine Installation

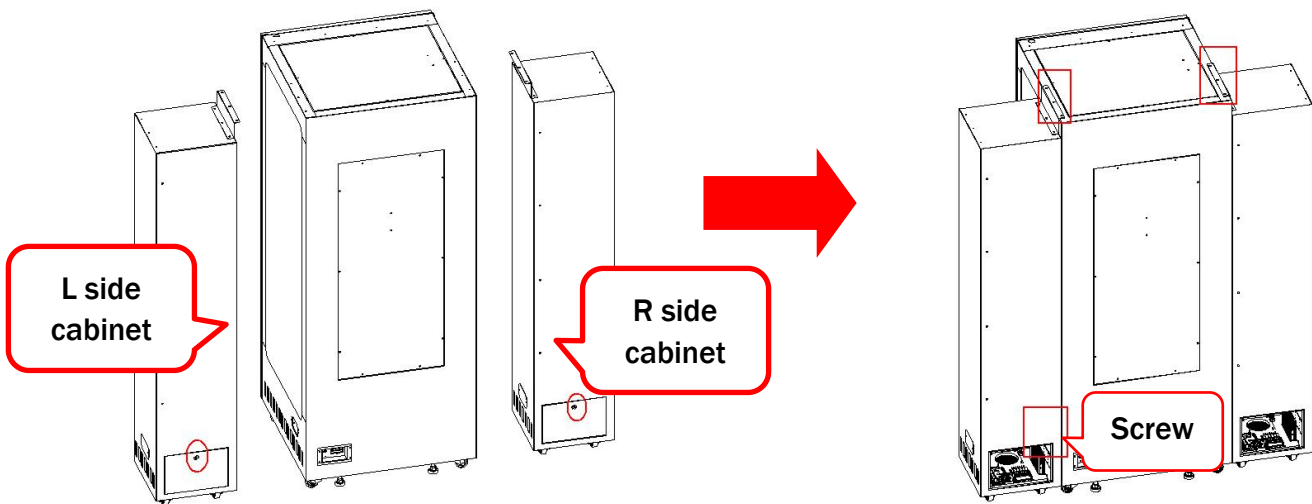
Before processing with assembly assure you have the following tools.

No.	Name	Picture
1	Phillips screwdriver	
2	1408a key	

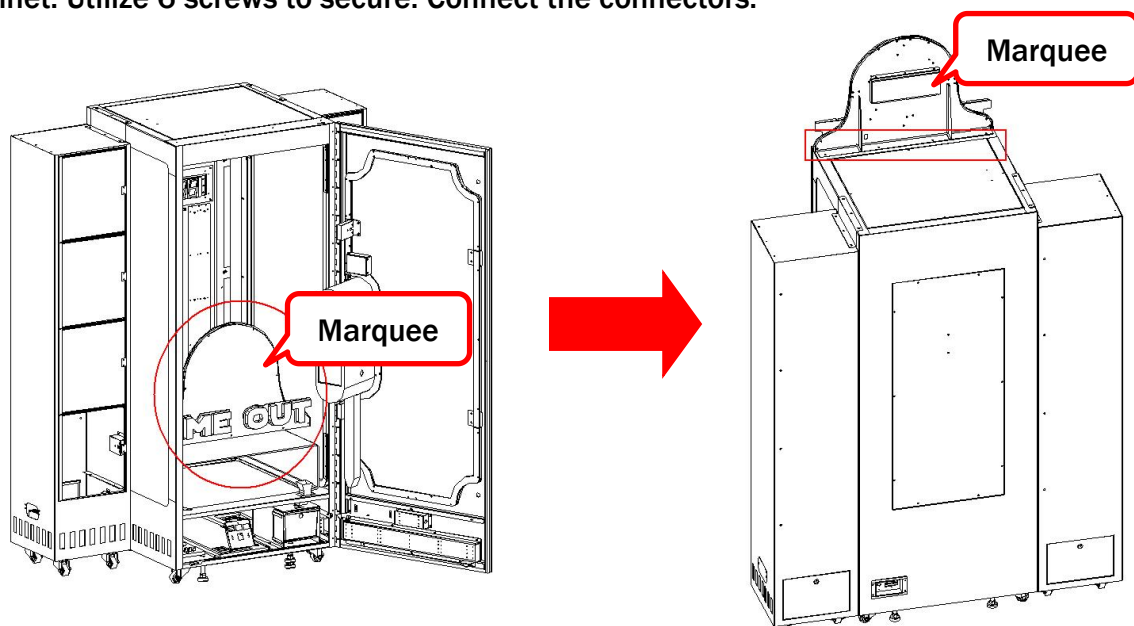
Step 1-1 Place L&R side cabinet to the main cabinet as shown below. Utilize key to open back door on the L&R side cabinet.

Step 1-2 Utilize Phillips screwdriver and screws to secure L&R side cabinet bottom side.

Step 1-3 Utilize Phillips screwdriver and screws to secure L&R side cabinet upper side.



Step 2 Utilize key to open front glass door. Take marquee out and place it to the top of the cabinet. Utilize 6 screws to secure. Connect the connectors.



Finish!

5. HOW TO PLAY

5.1 Insert Coin(s) or Tap/Swipe Card to Start.



5.2 Push the button to start the timer.



5.3 Push the button again to try and stop the timer at 10.000.



5.4 You win if stops at 10.000.

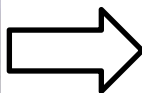


5.5 Notice: Small prize awarded if timer is stopped between “_____”.



6. GAME OPTION

6.1 Keyboard instruction



Open front Prize door with door key, there is a Keyboard near the Coin box. Hold “L” & “UP” buttons for 3s to enter the setting menu.

After entering the menu, use “UP” & “DOWN” buttons to control mini screen cursor up & down to select options; use “L” & “R” buttons to change parameters; press “R” button to enter or save.

Note: in “Back” or “Save & Back” option, press “R” to be back to gameplay.

Options	Description
L	Change to the left parameter
R	Change to the right parameter
UP	Move mini screen cursor to up
DOWN	Move mini screen cursor to down
Test	Service Coin
BIG DOOR	Long press 5S to open middle large prize glass door while in gameplay interface
SMALL DOOR	Long press 5S to open all 8 small prize doors while in gameplay interface

Note: Big Door & Small Door could not be opened at the same time, need to press “R” button to be back and long press “BIG DOOR” /”SMALL DOOR” again.

6.2.1 Main menu: The first interface while entering the setting menu

Options	Status	Default	Description
Coin	Free-20	2	Coins per game
Game	1-2	1	How many game times per coin
Waiting Time	10-90s	20	Wait for game start
Demo Music	OFF-240s	120	
Grand Time	No.8-No.500	No.50	Set Grand Prize Time Range, (each number means a time range like 9.989ms-10.010ms)

Options	Status	Default	Description
Small Time	No.1-No.500	No.20	Set Small Prize Time Range (each number means a time range like 9.968ms-10.032ms)
Prize Mode	Not/Fix/Rnd/Skill/Must	Fix	
GPrize Door	Open/Close		Open Grand prize door when win the prize
Music Volume	0-31	31	Press "R" to change the volume
Grand Color	0-30	25	Press "L" or "R" to change middle cabinet light color from 30 colors
Small Color	0-30	25	Press "L" or "R" to change 8 small boxes light color from 30 colors
Game (Data) Memory	OFF/ON	ON	Press "R" to switch
Trapped Warn	OFF/ON	ON	Press "R" to switch
(Data) Memory Clear	OFF/ON		Press "R" to clear the memory
Bookkeeping	Coin:insert coins number Game: gameplay number Grand:big prize payout Small:small prize payout		Press "R" to enter and check the account
Clear Bookkeeping			Press "R" to clear bookkeeping
Restore Factory			Press "R" to restore
Save&Back			Press "R" to be back to gameplay and also save the change
Back			Press "R" to be back to gameplay

7. TROUBLESHOOTING

7.1 Common Problem

Please confirm that all connectors fit tightly.

Symptom	Possible Cause	Recommended action
Game will not start	Frame assembly connector is loose.	Check connector.
	Frame assembly fault	Contact with UNIS Service.
Power off	Circuit protector make power SW in off state.	Turn on power SW again. If appeared again and again, machine has anomaly. Please contact with UNIS Service.
No sound	Low volume	Raise the volume.
	Connector loose.	Check connector.
	Speaker fault.	Check speaker.
	POT installation error.	Install POT correctly.
	POT fault.	Change POT.
	Audio cable problem.	Reconnect the audio cable or change it.
The prize door can't open.	Door lock is faulty	Replace the door lock.
	The door holder stuck with the lock.	Remove the door holder.
	The door stuck with the cabinet frame.	Utilize key to open.

8. MAINTENANCE & INSPECTION

8.1 Safety Check

Check the points listed before operating the machine. These checks are necessary for safe machine operation:

1. Test game before operation each day.
2. Conduct monthly routine checks of game components to ensure good working condition.
3. Check the machine regularly for dust and clean when necessary.

Note: Parts and components require preventative maintenance to maintain proper operation.

8.2 Handling Precautions

When installing or inspecting the machine, be very careful and pay attention to ensure that the player can enjoy the game safely.

Inappropriate handling running counter to the cautionary matters can cause personal injury or damage to the machine.

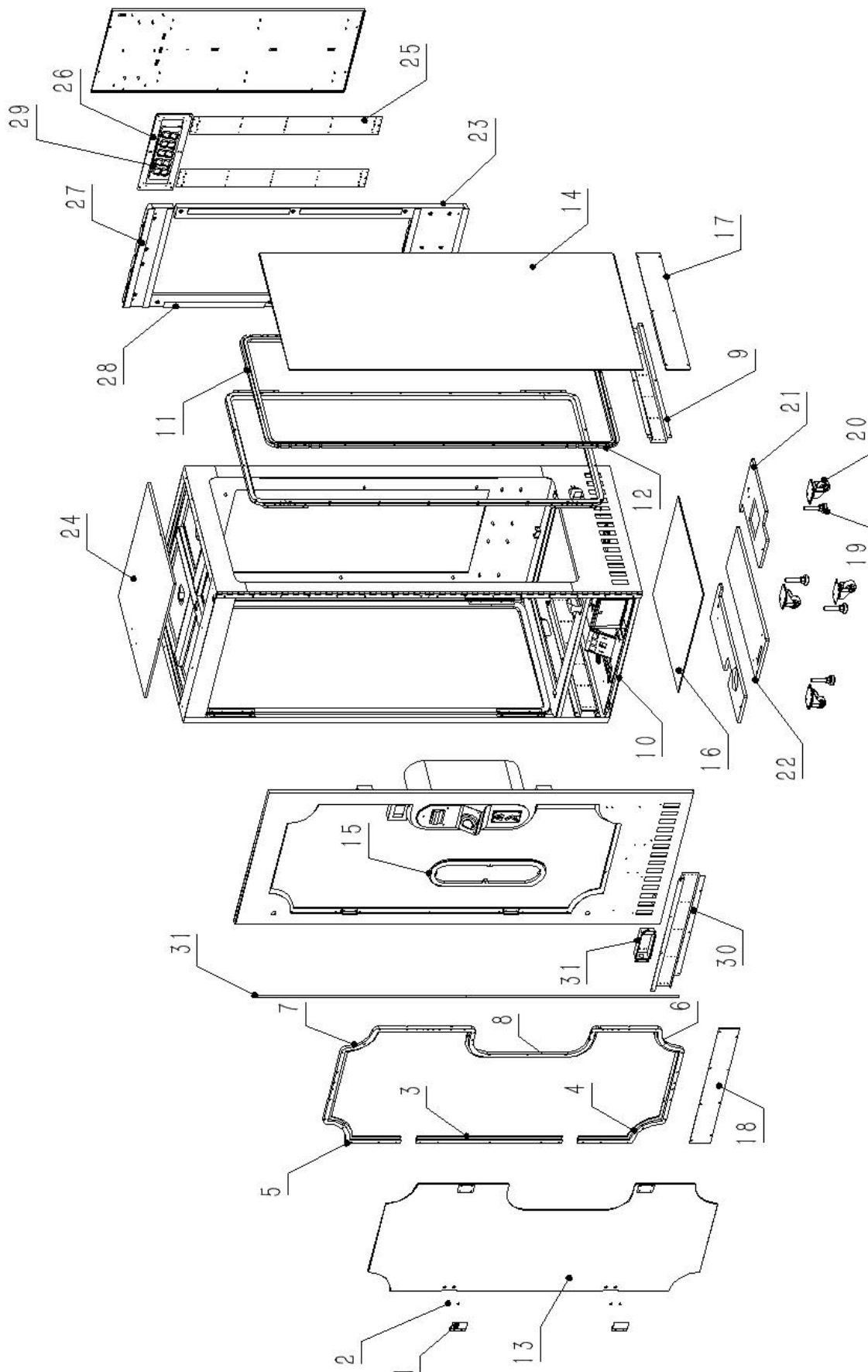


NOTICE

We do not recommend using power tools as they may cause damage.

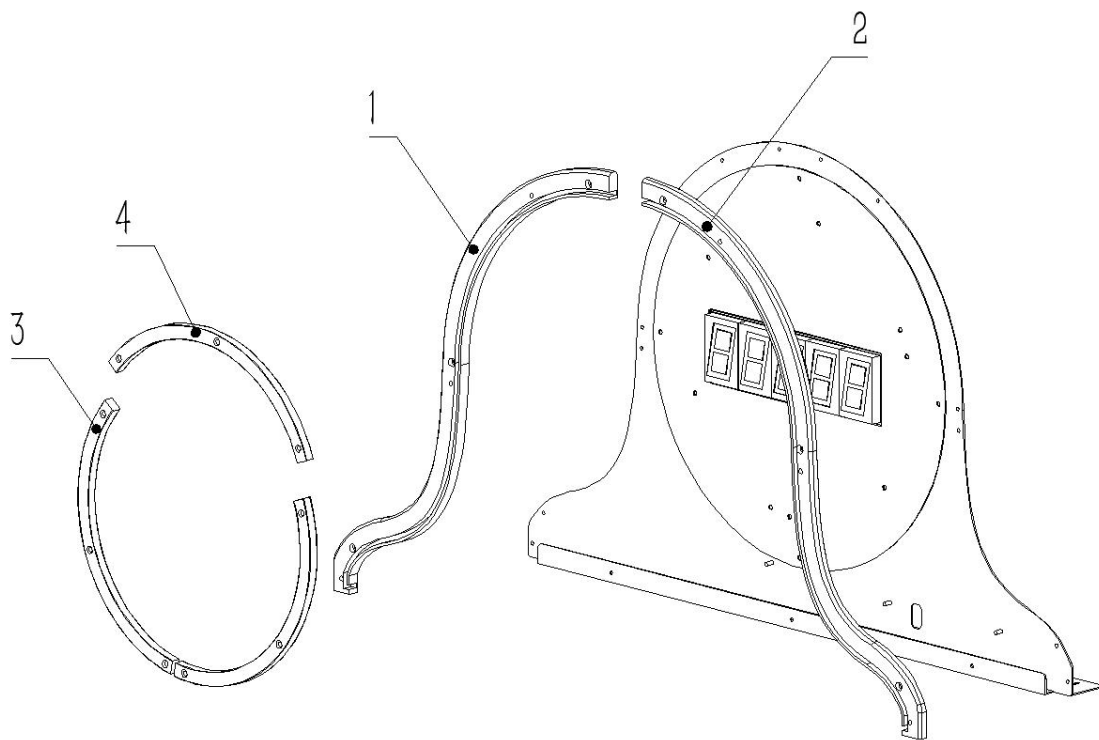
9. OVERALL CONSTRUCTION

9.1 General Assembly



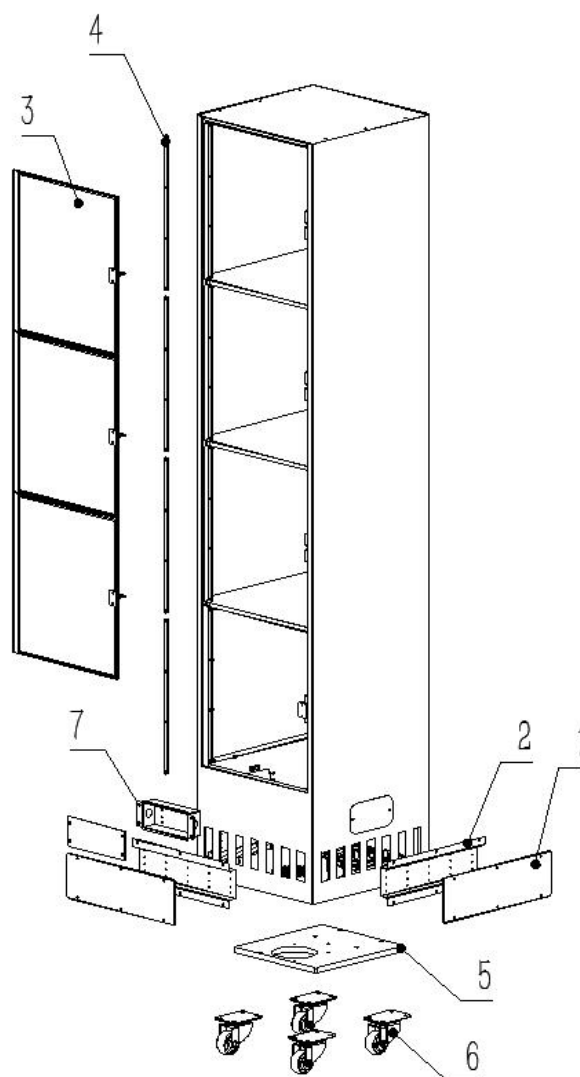
No.	Part No.	Code No.	Name	Version	Qty
1	T164-0022-00	206.2.2306.002	Glass door rubber PVC	V1.1	4
2	T164-0023-00	206.2.2306.025	Glass door rubber tube	V1.1	8
3	T164-0025-00	206.2.2306.008	Front light plastic 1	V1.1	1
4	T164-0026-00	206.2.2306.009	Front light plastic 2	V1.1	1
5	T164-0027-00	206.2.2306.010	Front light plastic 3	V1.1	1
6	T164-0028-00	206.2.2306.011	Front light plastic 4	V1.1	1
7	T164-0029-00	206.2.2306.012	Front light plastic 5	V1.1	1
8	T164-0030-00	206.2.2306.013	Front light plastic 6	V1.1	1
9	T164-0003-00	206.2.2318.002	Bottom light strip mounting PVC	V1.1	2
10	T164-0004-00	206.2.2318.003	Base light strip mounting PVC	V1.1	1
11	T164-0033-00	206.2.2306.018	Side light plastic 1	V1.1	4
12	T164-0034-00	206.2.2306.019	Side light plastic 2	V1.1	4
13	T164-0031-00	206.2.2306.020	Front glass	V1.1	1
14	T164-0035-00	206.2.2306.021	Side glass	V1.1	2
15	T164-0032-00	206.2.2306.033	Panel light plastic	V1.1	1
16	T164-0002-00	206.2.2318.001	Inner bottom glass	V1.1	1
17	T164-0005-00	206.2.2318.023	Side bottom light plastic	V1.1	2
18	T164-0006-00	206.2.2318.004	Door bottom light plastic	V1.1	1
19	T164-0037-00	2.60.00008000	Leveller	V1.1	4
20	T164-0038-00	2.55.01.000056	2.5" caster	V1.1	4
21	T164-0057-00	203.2.2318.001	Electrical mounting board A	V1.1	1
22	T164-0058-00	203.2.2318.002	Electrical mounting board B	V1.1	1
23	T164-0060-00	203.2.2318.004	Mirror mounting board	V1.1	1
24	T164-0059-00	203.2.2318.003	Top cover board	V1.1	1
25	T164-0017-00	206.2.2318.021	Back cover light strip plastic A	V1.1	2
26	T164-0018-00	206.2.2318.022	Back cover light strip plastic B	V1.1	1
27	T164-0019-00	206.2.2318.024	Mirror back cushion foam long	V1.1	2
28	T164-0020-00	206.2.2318.025	Mirror back cushion foam short	V1.1	2
29	T164-0054-00	206.2.2318.030	Display front plastic	V1.1	1
30	T164-0021-00	206.2.2318.026	Door buffer foam	V1.1	2
31	T164-0008-00	206.2.2318.006	LOGO mounting PVC	V1.1	1

9.2 Marquee



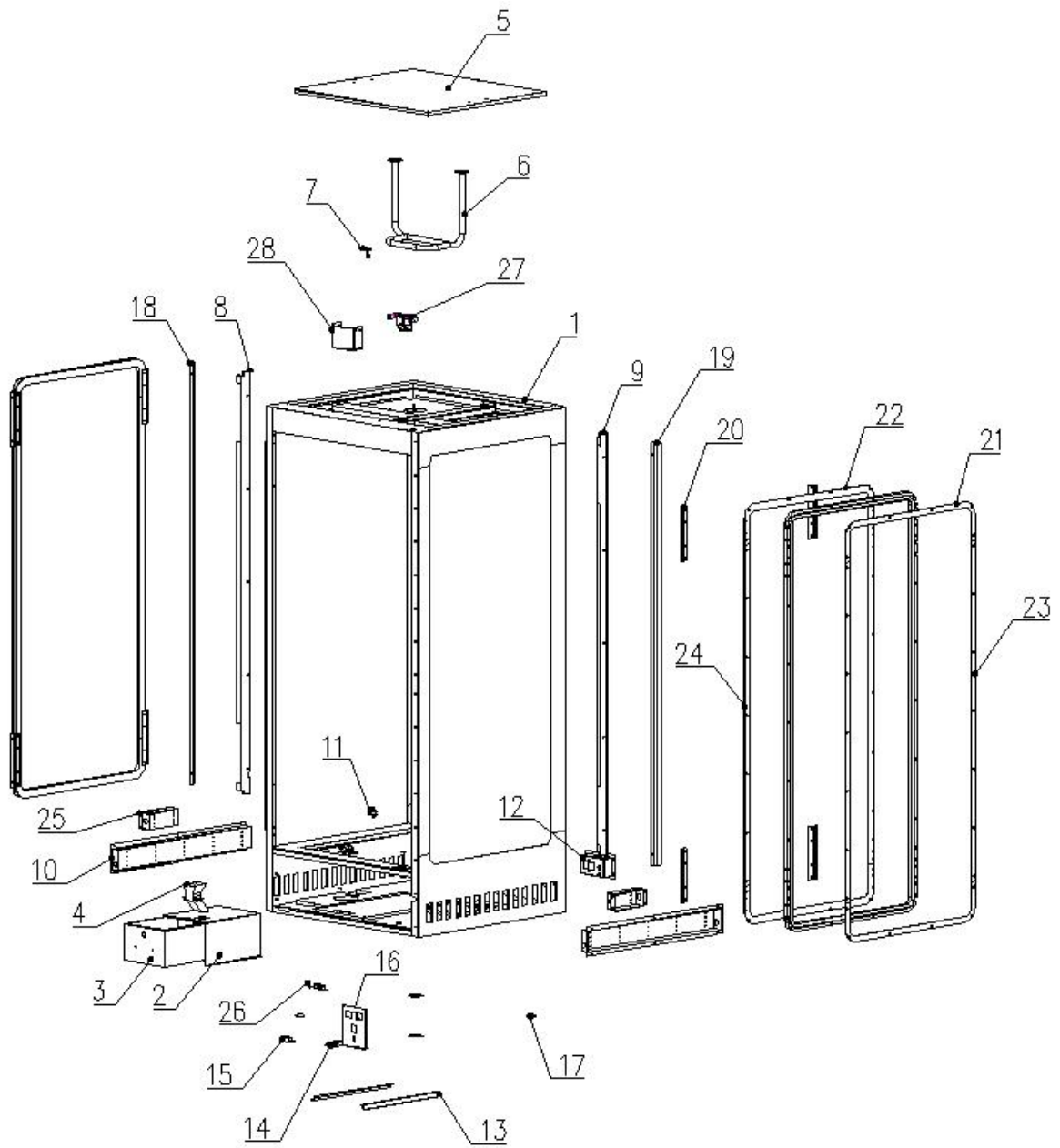
No.	Part No.	Code No.	Name	Version	Qty
1	T164-0013-00	206.2.2318.017	Marquee light plastic L	V1.1	1
2	T164-0014-00	206.2.2318.018	Marquee light plastic R	V1.1	1
3	T164-0015-00	206.2.2318.019	Round black nylon A	V1.1	2
4	T164-0016-00	206.2.2318.020	Round black nylon B	V1.1	1

9.3 Side Cabinet (Small Prize Cabinet)



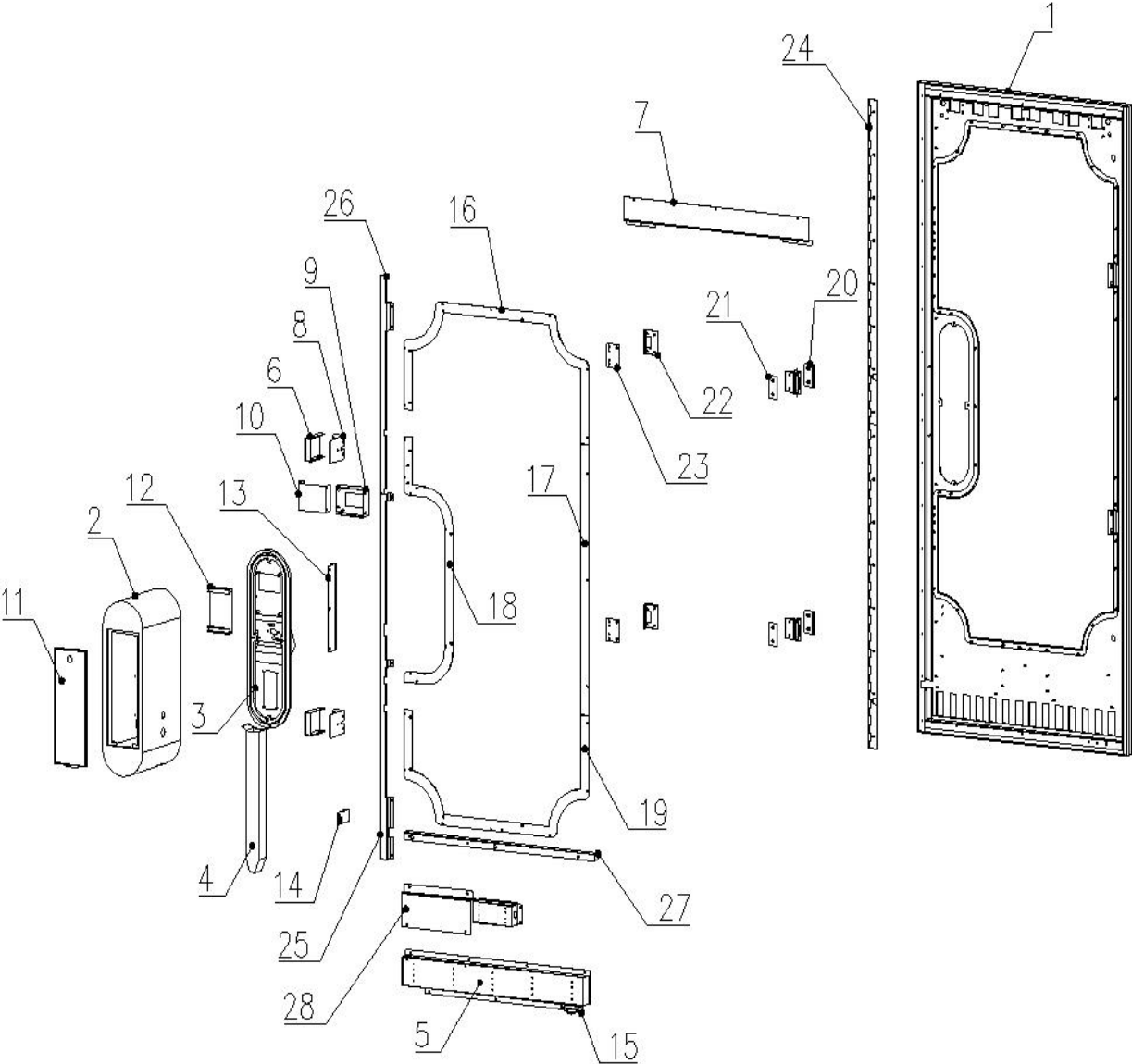
No.	Part No.	Code No.	Name	Version	Qty
1	T164-0009-00	206.2.2318.010	Small prize cabinet bottom light plastic	V1.1	3X2
2	T164-0010-00	206.2.2318.011	Small prize cabinet bottom light mounting	V1.1	3X2
3	T164-0011-00	206.2.2318.012	Small prize cabinet door	V1.1	4X2
4	T164-0012-00	206.2.2318.013	Small prize cabinet door pad plastic	V1.1	4X2
5	T164-0061-00	203.2.2318.005	Speaker pad board	V1.1	1X2
6	T164-0038-00	2.55.01.000056	2.5" caster	V1.1	4X2
7	T164-0008-00	206.2.2318.006	LOGO mounting PVC	V1.1	1X2

9.4 Middle Cabinet Frame



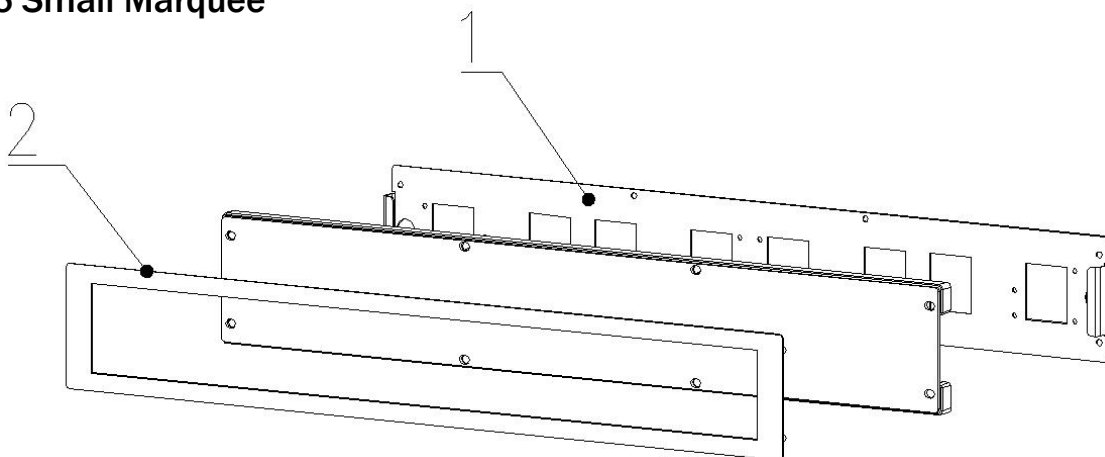
No.	Part No.	Code No.	Name	Version	Qty
1	T164-0501-00	LJ.G-01-01	Cabinet bracket	V1.1	1
2	T164-0502-00	LJ.G-01-02	Coin outer box	V1.1	1
3	T164-0503-00	LJ.G-01-03	Coin inner box	V1.1	1
4	T164-0504-00	LJ.G-01-04	Coin-in chute	V1.1	1
5	T164-0505-00	LJ.G-01-05	Upper plate	V1.1	1
6	T164-0506-00	LJ.G-01-07	Bending tube bracket	V1.1	1
7	T164-0507-00	LJ.G-01-08	Hook	V1.1	1
8	T164-0508-00	LJ.G-01-09	Back wiring cover plate L	V1.1	1
9	T164-0509-00	LJ.G-01-10	Back wiring cover plate R	V1.1	1
10	T164-0510-00	LJ.G-01-11	Bottom light acrylic plate	V1.1	2
11	T164-0511-00	LJ.G-01-13	Back bottom wiring plate	V1.1	1
12	T164-0512-00	LJ.G-01-14	Power supply plate	V1.1	1
13	T164-0513-00	LJ.G-01-15	Wooden pressing plate	V1.1	2
14	T164-0514-00	LJ.G-01-16	Pressing plate 1	V1.1	1
15	T164-0515-00	LJ.G-01-17	Pressing plate 2	V1.1	1
16	T164-0516-00	LJ.G-01-18	Setting panel plate	V1.1	1
17	T164-0517-00	LJ.G-01-19	Bottom glass pressing plate	V1.1	4
18	T164-0518-00	LJ.G-01-20	Side glass pressing plate L	V1.1	1
19	T164-0519-00	LJ.G-01-21	Side glass pressing plate R	V1.1	1
20	T164-0520-00	LJ.G-01-22	Inner acrylic fixing plate	V1.1	8
21	T164-0521-00	LJ.G-01-23	Inner acrylic pressing plate 1	V1.1	4
22	T164-0522-00	LJ.G-01-24	Inner acrylic pressing plate 2	V1.1	4
23	T164-0523-00	LJ.G-01-25	Inner acrylic pressing plate 3	V1.1	4
24	T164-0524-00	LJ.G-01-26	Inner acrylic pressing plate 4	V1.1	4
25	T164-0525-00	LJ.G-01-27	LOGO light box plate	V1.1	3
26	T164-0526-00	LJ.G-01-28	Bottom bracket	V1.1	4
27	T164-0527-00	LJ.G-01-29	Prize hook plate	V1.1	1
28	T164-0528-00	LJ.G-01-30	Prize hook cover	V1.1	1

9.5 Front door(Middle Cabinet)



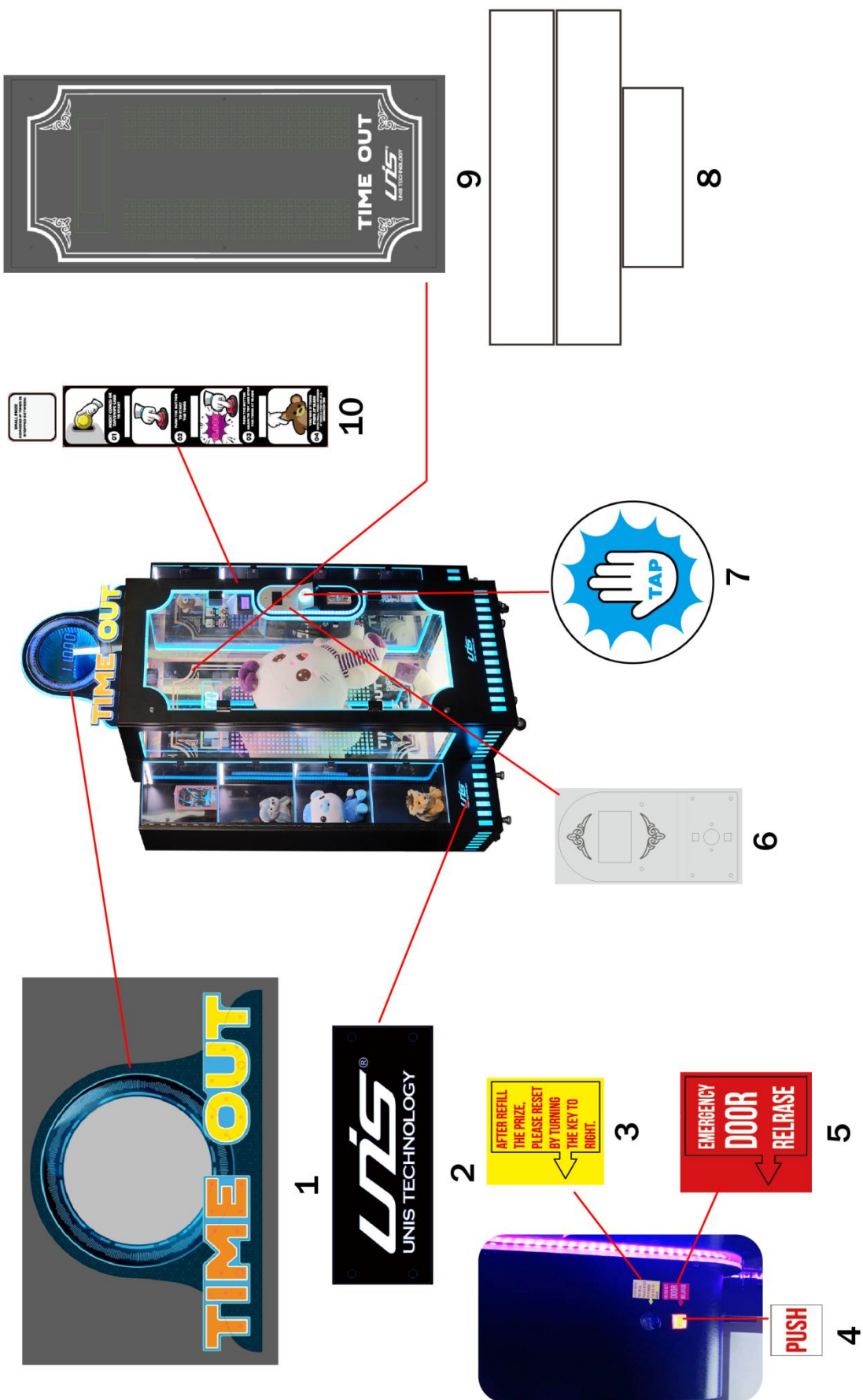
No.	Part No.	Code No.	Name	Version	Qty
1	T164-0601-00	LJ.G-02-04	Front door	V1.1	1
2	T164-0602-00	LJ.G-02-05	Pane bracket	V1.1	1
3	T164-0603-00	LJ.G-02-06	Panel	V1.1	1
4	T164-0604-00	LJ.G-02-07	Coin chute	V1.1	1
5	T164-0605-00	LJ.G-02-09	Bottom light marquee	V1.1	1
6	T164-0606-00	LJ.G-02-10	Lock box	V1.1	2
7	T164-0607-00	LJ.G-02-11	Upper light plate	V1.1	1
8	T164-0608-00	LJ.G-02-12	Lock box cover	V1.1	2
9	T164-0609-00	LJ.G-02-14	Limit box	V1.1	1
10	T164-0610-00	LJ.G-02-15	Limit box cover	V1.1	1
11	T164-0611-00	LJ.G-02-16	Pane back door plate	V1.1	1
12	T164-0612-00	LJ.G-02-17	Blanking plate	V1.1	1
13	T164-0613-00	LJ.G-02-18	Top plate	V1.1	1
14	T164-0614-00	LJ.G-02-19	Strengthen plate	V1.1	1
15	T164-0615-00	LJ.G-02-20	Rolling wheel plate	V1.1	1
16	T164-0616-00	LJ.G-02-21	Front door glass pressing plate 1	V1.1	1
17	T164-0617-00	LJ.G-02-22	Front door glass pressing plate 2	V1.1	1
18	T164-0618-00	LJ.G-02-23	Front door glass pressing plate 3	V1.1	1
19	T164-0619-00	LJ.G-02-24	Front door glass pressing plate 4	V1.1	1
20	T164-0620-00	LJ.G-02-25	Glass hinge 1	V1.1	2
21	T164-0621-00	LJ.G-02-26	Glass hinge 2	V1.1	2
22	T164-0622-00	LJ.G-02-27	Glass hinge 3	V1.1	2
23	T164-0623-00	LJ.G-02-28	Glass hinge 4	V1.1	2
24	T164-0624-00	LJ.G-02-31	Hinge	V1.1	2
25	T164-0625-00	LJ.G-02-32	Blocking plate 1	V1.1	1
26	T164-0626-00	LJ.G-02-33	Blocking plate 2	V1.1	1
27	T164-0627-00	LJ.G-02-34	Blocking plate 3	V1.1	1
28	T164-0628-00	LJ.G-02-35	Blocking plate 4	V1.1	1

9.6 Small Marquee




No.	Part No.	Code No.	Name	Version	Qty
1	T164-0701-00	LJ.G-02-29	Marquee fixing plate 1	V1.1	1
2	T164-0702-00	LJ.G-02-30	Marquee fixing plate 2	V1.1	1

9.7 Decals



No.	Part No.	Code No.	Name	Version	Qty
1	T164-0421-00	205.2.2318.001/1	Time Out marquee	V1.1	1
2	T164-0412-00	205.2.2306.011	UNIS logo acrylic	V1.1	1
3	T164-0433-00	205.2.2318.114	Refill instructions decal	V1.1	1
4	T164-0415-00	205.2.2306.019	Emergency button decal	V1.1	1
5	T164-0414-00	205.2.2306.018	Emergency button instructions decal	V1.1	1
6	T164-0413-00	205.2.2306.015	Panel acrylic	V1.1	1
7	T164-0427-00	205.2.2318.109	Button decal	V1.1	1
8	T164-0430-00	205.2.2318.112	Display cover decal	V1.1	1
9	T164-0434-00	205.2.2318.002	Back mirror with decal	V1.1	1
10	T164-0426-00	205.2.2318.108A	How to play instructions	V1.1	1




9

Big	Small
Coin counter	Prize counter
Prize counter	Prize counter
Switch	Switch

1

WARNING



110V

THIS POSITION IS THE POWER OUTLET

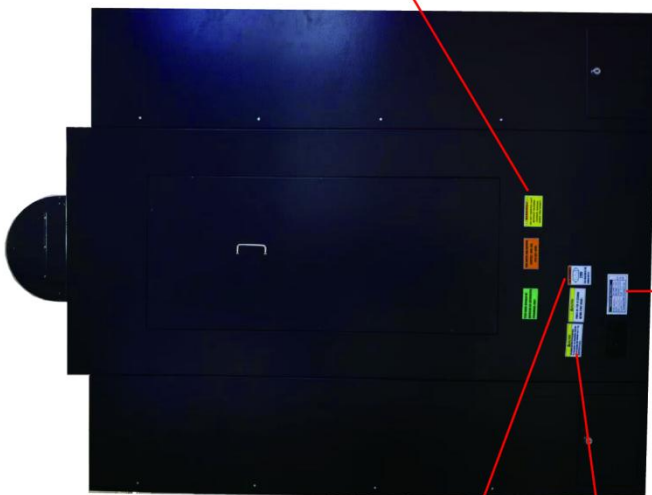
2

CAUTION

TO ENSURE MACHINE OPERATION WELL PLEASE ADJUST THE HORIZONTAL POSITION OF THE MACHINE AND CONFIRM THAT IT HAS BEEN PLACED STABLE.

3

24	25	26	27	28	29	30	31	32	33	34	35	36	37	38	39	40	41	42	43	44	45	46	47	48	49	50	51	52	53	54	55	56	57	58	59	60	61	62	63	64	65	66	67	68	69	70	71	72	73	74	75	76	77	78	79	80	81	82	83	84	85	86	87	88	89	90	91	92	93	94	95	96	97	98	99	100																							
101	102	103	104	105	106	107	108	109	110	111	112	113	114	115	116	117	118	119	120	121	122	123	124	125	126	127	128	129	130	131	132	133	134	135	136	137	138	139	140	141	142	143	144	145	146	147	148	149	150	151	152	153	154	155	156	157	158	159	160	161	162	163	164	165	166	167	168	169	170	171	172	173	174	175	176	177	178	179	180	181	182	183	184	185	186	187	188	189	190	191	192	193	194	195	196	197	198	199	200



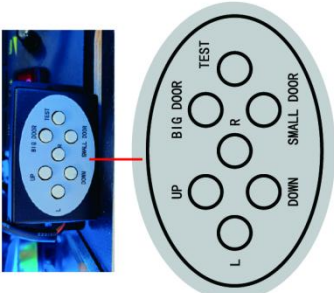
4

INDOOR MACHINE

NAME:	Time Out Gmp	MAX POWER:	888W
MODEL:	A-509	MIN POWER:	830W
S/N:		FREQUENCY:	50/60Hz
VOLTAGE:	AC110V~	DATE:	

Guangdong UNIS Technology Co., Ltd.

5



6

FOR PARTS AND SERVICE CONTACT UNIS USA 972 241 4263

7

/// WARNING /// DO NOT SERVICE UNIT WITHOUT READING OWNERS MANUAL HIGH VOLTAGE!!!

8

THIS GAME SHOULD BE SERVICED BY AUTHORIZED PERSONNEL ONLY

9

Big Board Character Data

- F1: For Surrounding Light 12V
- F2: For 8 Surrounding Light 12V
- F3: For 8 Surrounding Light 12V
- F4: For 8 Surrounding Light 12V
- F5: For 8 Surrounding Light 12V
- F6: For 8 Surrounding Light 12V
- F7: For 8 Surrounding Light 12V
- F8: For 8 Surrounding Light 12V
- F9: For 8 Surrounding Light 12V
- F10: For 8 Surrounding Light 12V

Small Board Character Data

- F1: For 16 Surrounding Light 12V
- F2: For 16 Surrounding Light 12V
- F3: For 16 Surrounding Light 12V
- F4: For 16 Surrounding Light 12V
- F5: For 16 Surrounding Light 12V
- F6: For 16 Surrounding Light 12V
- F7: For 16 Surrounding Light 12V
- F8: For 16 Surrounding Light 12V
- F9: For 16 Surrounding Light 12V
- F10: For 16 Surrounding Light 12V

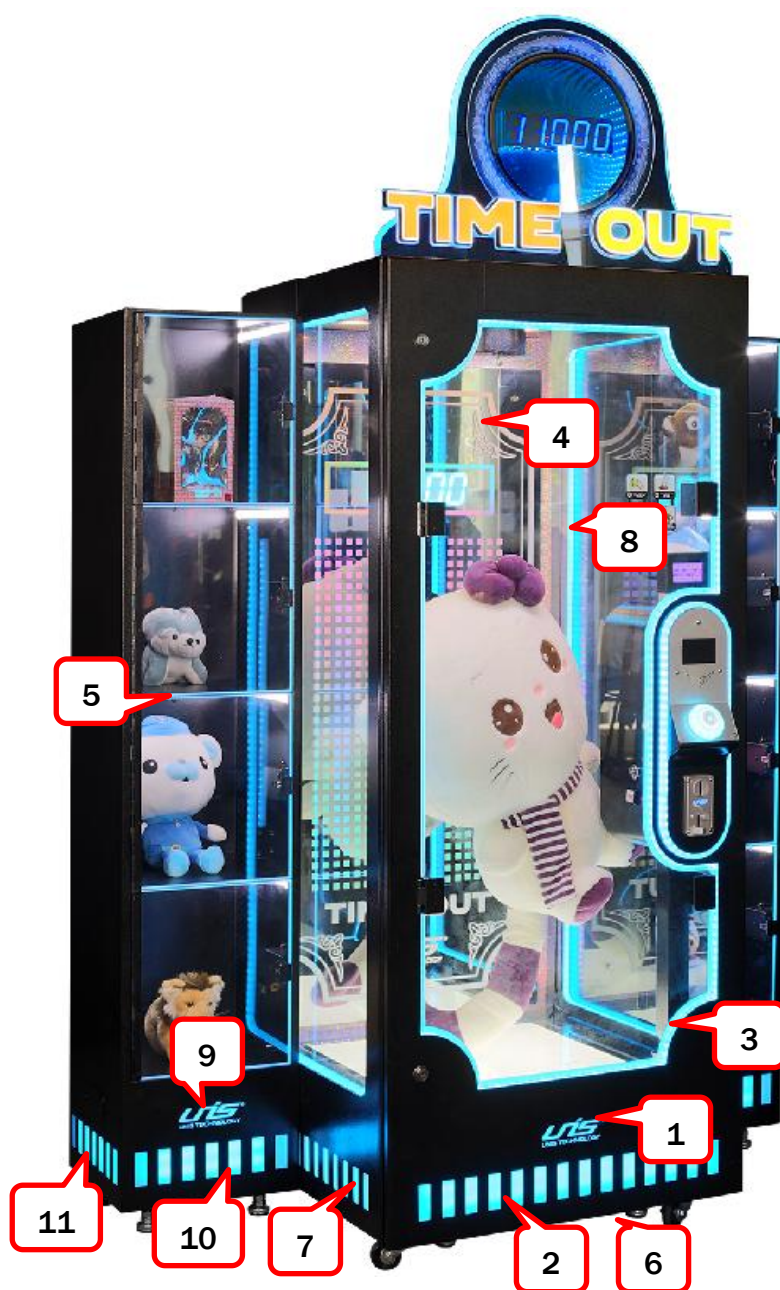
10

No.	Part No.	Code No.	Name	Version	Qty
1	T164-0417-00	2.56.00.000125	110V warning label	V1.1	1
2	T164-0436-00	2.56.00.000127	Warning label set	V1.1	1
3	T164-0424-00	205.2.2318.106	Wiring decal	V1.1	1
4	T164-0432-00	205.2.2318.103	110V nameplate	V1.1	1
5	T164-0431-00	205.2.2318.113	Setting panel decal	V1.1	1
6	T164-0409-00	2.56.00.000095A	Service decal(orange)	V1.1	1
7	T164-0407-00	2.56.00.000067A	Service decal(yellow)	V1.1	1
8	T164-0406-00	2.56.00.000042A	Service decal(green)	V1.1	1
9	T164-0425-00	205.2.2318.107	Counter decal	V1.1	1
10	T164-0423-00	205.2.2318.105	Fuse instructions label	V1.1	1

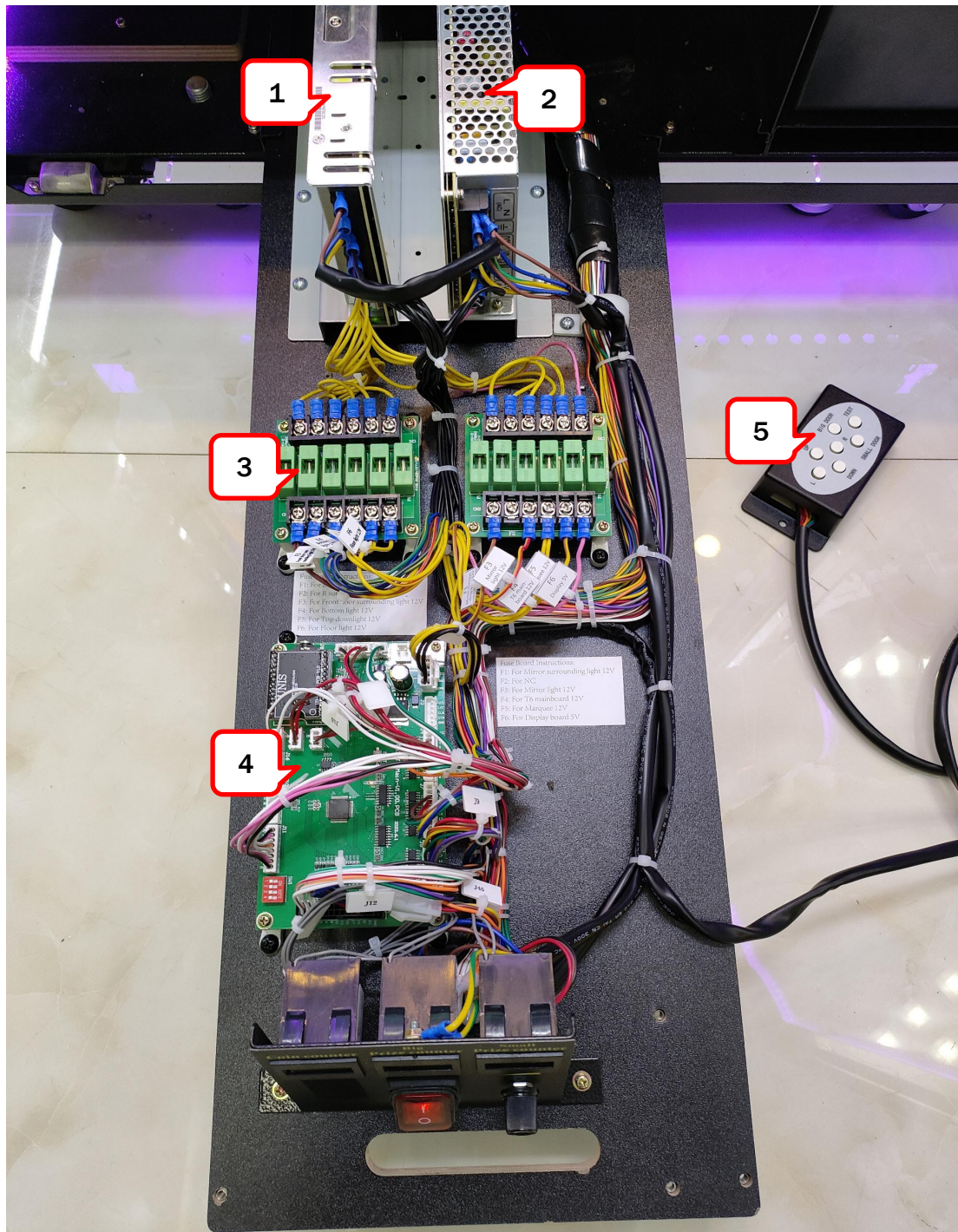
9.8 Electrical Components



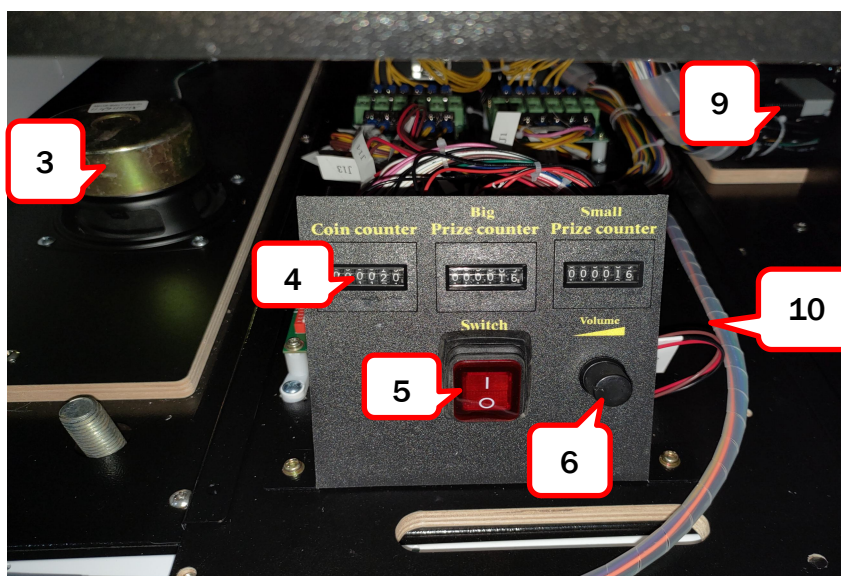
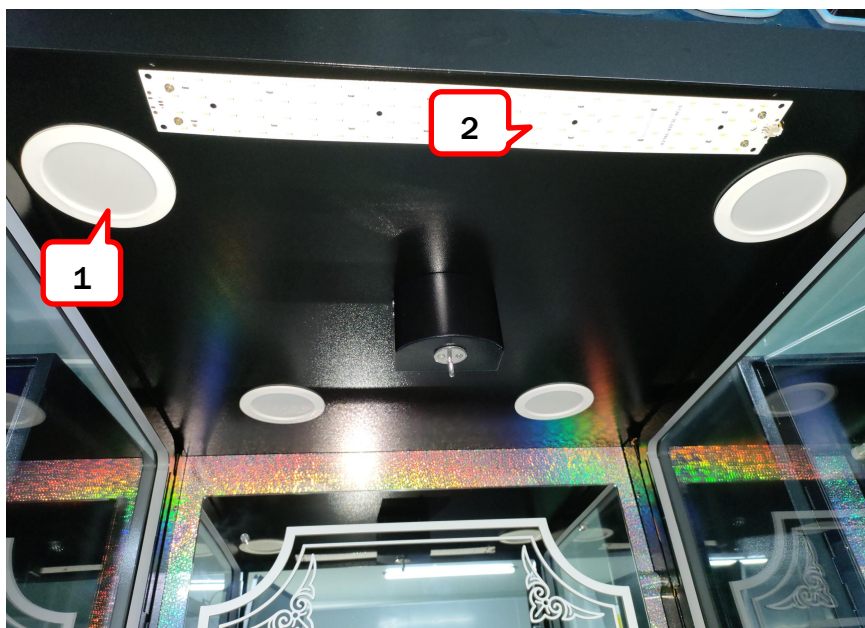
No.	Part No.	Code No.	Name	Version	Qty
1	T164-0122-00	297.6.2306001	Display	V1.1	1
	T164-0121-00	2.20.02.020092	2811 light strip	V1.1	39.37 in (1000mm)
2	T164-0121-00	2.20.02.020092	2811 light strip	V1.1	94.48in*3 (2400mm*3)
3	T164-0203-00	297.1.1804001	2.3" 5 bit display	V1.1	1
4	T164-0206-00	2.20.02.020092	2811 light strip	V1.1	37.4 in (950mm)
	T164-0105-00	2.20.02.015019	BG5050W white light	V1.1	41.33 in (1050mm)
5	T164-0124-00	2.20.02.015021	BG5050RGB light strip	V1.1	53.14 in (1350mm)
6	T164-0116-00	2.12.01.000033	Mini screen	V1.1	1
7	T164-0130-00	2.24.01.300025	Button	V1.1	1
8	T164-0114-00	2.23.06000022	Coin mechanism	V1.1	1
9	T164-0124-00	2.20.02.015021	BG5050RGB light strip	V1.1	45.27 in (1150mm)
10	T164-0421-00	205.2.2318.001/1	Time Out marquee	V1.1	1
11	T164-0123-00	2.20.03.230058	LED light	V1.1	1



No.	Part No.	Code No.	Name	Version	Qty
1	T164-0124-00	2.20.02.015021	BG5050RGB light strip	V1.1	11.81 in (300mm)
2	T164-0124-00	2.20.02.015021	BG5050RGB light strip	V1.1	51.18 in (1300mm)
3	T164-0124-00	2.20.02.015021	BG5050RGB light strip	V1.1	171.25 in (4350mm)
4	T164-0105-00	2.20.02.015019	BG5050W white light strip	V1.1	157.48 in (4000mm)
5	T164-0302-00	2.20.02.015021	BG5050RGB light strip	V1.1	13.77 in (350mm)
6	T164-0302-00	2.20.02.015021	BG5050RGB light strip	V1.1	21.65 in (550mm)
7	T164-0302-00	2.20.02.015021	BG5050RGB light strip	V1.1	76.77 in (1950mm)
8	T164-0302-00	2.20.02.015021	BG5050RGB light strip	V1.1	171.25 in (4350mm)
9	T164-0124-00	2.20.02.015021	BG5050RGB light strip	V1.1	25.59 in (650mm)
10	T164-0124-00	2.20.02.015021	BG5050RGB light strip	V1.1	11.81 in (300mm)
11	T164-0124-00	2.20.02.015021	BG5050RGB light strip	V1.1	25.59 in (650mm)

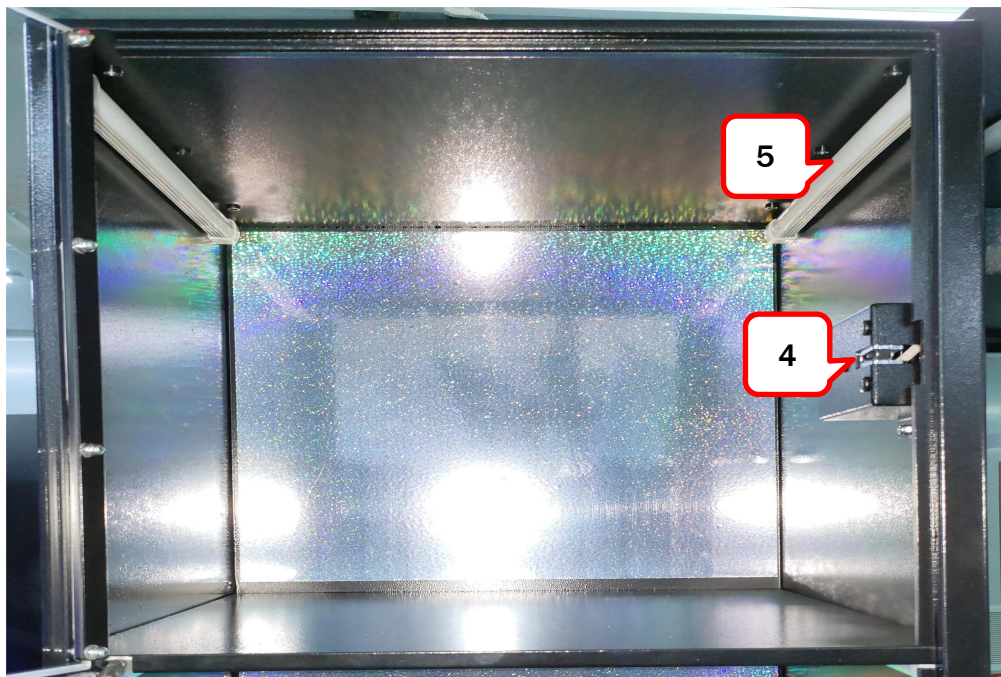
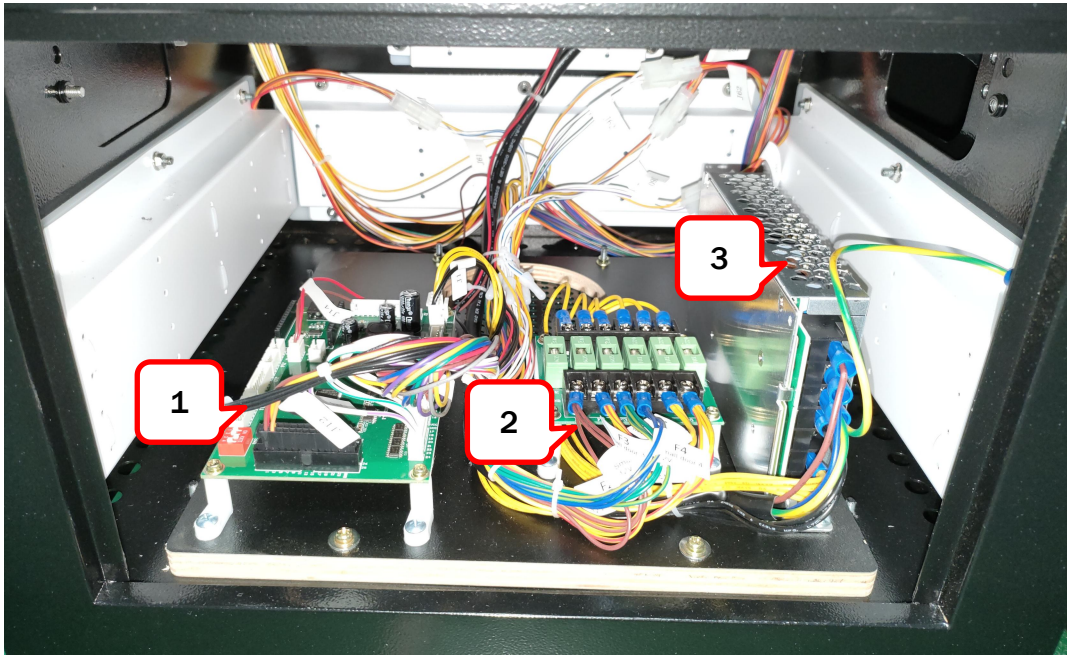


No.	Part No.	Code No.	Name	Version	Qty
1	T164-0109-00	2.16.02.000117	Power supply(12V)	V1.1	1
2	T164-0110-00	2.16.02.000137	Power supply	V1.1	1
3	T164-0103-00	2.17.14.000243A	Fuse board	V1.1	2
4	T164-0128-00	297.9.2306001	T6 mainboard	V1.1	1
5	T164-0131-00	2.24.02.070013	Setting panel	V1.1	1



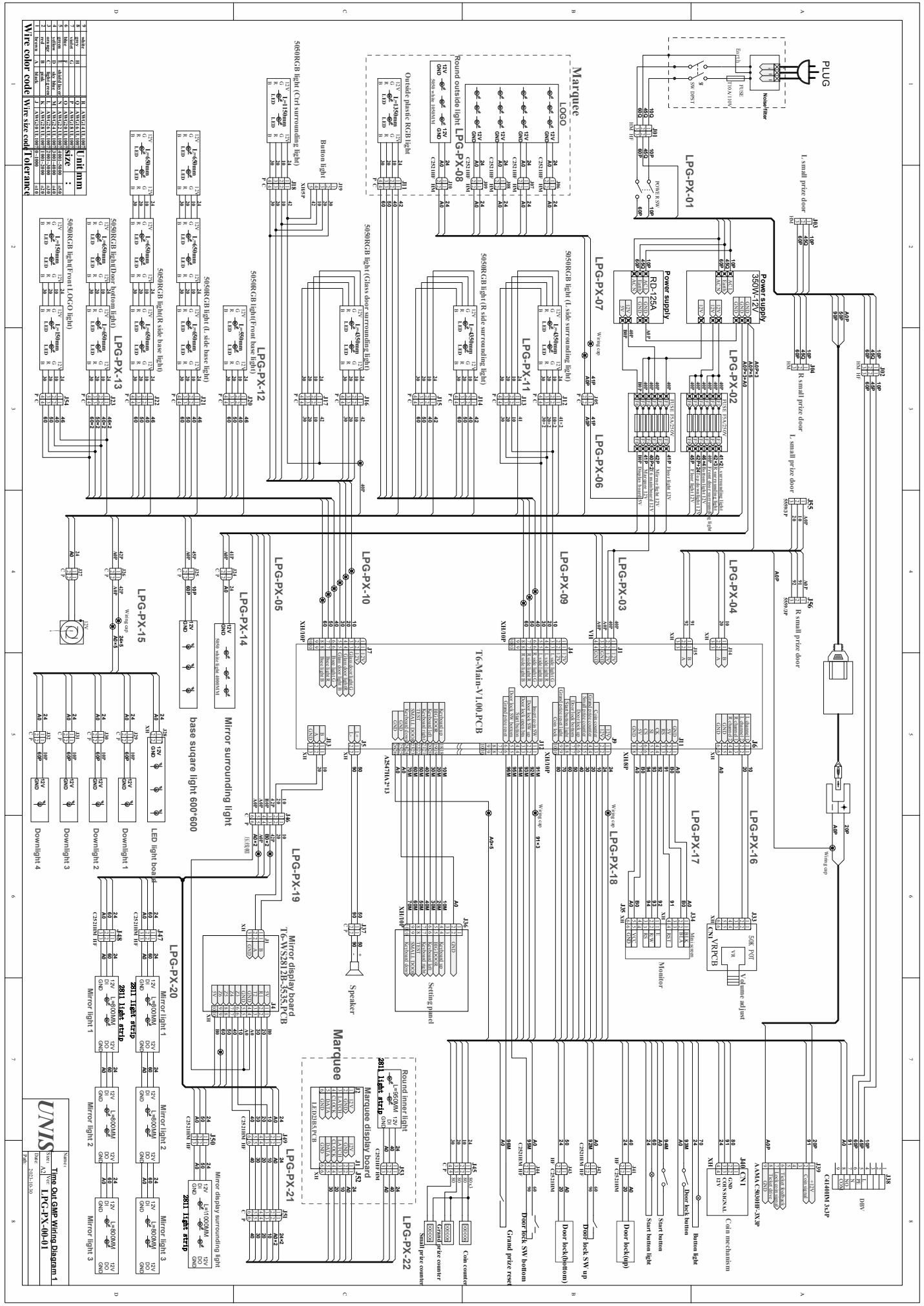
No.	Part No.	Code No.	Name	Version	Qty
1	T164-0125-00	2.20.03.230062	Down light	V1.1	4
2	T164-0126-00	2.20.03.230012	White light board	V1.1	1
3	T164-0115-00	2.28.01.000005	Speaker	V1.1	1
4	T164-0104-00	2.30.00000006	Counter	V1.1	3
5	T164-0113-00	2.26.01.040005	Power switch	V1.1	1
6	T164-0129-00	2.24.03.000001	Knot cover	V1.1	1
	T164-0127-00	297.9.1400001	POT board	V1.1	1
7	T164-0117-00	2.53.00608822	Electrical magnet lock	V1.1	1
8	T164-0118-00	2.24.01.300029	Emergency Button	V1.1	1
9	T164-0111-00	2.27.02.050017	Fan	V1.1	1
	T164-0112-00	2.27.02.000010	Fan net	V1.1	1
10	T164-0132-00	2.33.09.000491	Cable set	V1.1	1

Small Prize Cabinet



No.	Part No.	Code No.	Name	Version	Qty
1	T164-0305-00	297.9.2306001	T6 mainboard	V1.1	1
2	T164-0306-00	2.17.14.000243A	Fuse board	V1.1	1
3	T164-0307-00	2.16.02.000114	Power supply(12V)	V1.1	1
4	T164-0304-00	2.53.00608822	Electrical magnet lock	V1.1	1
5	T164-0303-00	2.20.03.230059	Cabinet light	V1.1	2

www.unistechology.com



Wire color code

Wire Color	Wire Size	Code
Black	0.5	BLK
White	0.5	WHT
Red	0.5	RED
Blue	0.5	BLU
Green	0.5	GRN
Yellow	0.5	YEL
Purple	0.5	PUR
Brown	0.5	BRO
Pink	0.5	PNK
Grey	0.5	GRY
Orange	0.5	ORG
Light Blue	0.5	LBL
Light Green	0.5	LGR
Light Yellow	0.5	LYL
Light Purple	0.5	LPL
Light Brown	0.5	LBRO
Light Pink	0.5	LPNK
Light Grey	0.5	LGRY
Light Orange	0.5	LORG
Light Light Blue	0.5	LLBL
Light Light Green	0.5	LLGR
Light Light Yellow	0.5	LLYL
Light Light Purple	0.5	LLPL
Light Light Brown	0.5	LLBRO
Light Light Pink	0.5	LLPNK
Light Light Grey	0.5	LLGRY
Light Light Orange	0.5	LLORG

Wire size code

Wire Size	Code
0.5	0.5
0.75	0.75
1.0	1.0
1.5	1.5
2.0	2.0
2.5	2.5
3.0	3.0
3.5	3.5
4.0	4.0
4.5	4.5
5.0	5.0
5.5	5.5
6.0	6.0
6.5	6.5
7.0	7.0
7.5	7.5
8.0	8.0
8.5	8.5
9.0	9.0
9.5	9.5
10.0	10.0

Wire color code

Wire Color	Wire Size	Code
Black	0.5	BLK
White	0.5	WHT
Red	0.5	RED
Blue	0.5	BLU
Green	0.5	GRN
Yellow	0.5	YEL
Purple	0.5	PUR
Brown	0.5	BRO
Pink	0.5	PNK
Grey	0.5	GRY
Orange	0.5	ORG
Light Blue	0.5	LBL
Light Green	0.5	LGR
Light Yellow	0.5	LYL
Light Purple	0.5	LPL
Light Brown	0.5	LBRO
Light Pink	0.5	LPNK
Light Grey	0.5	LGRY
Light Orange	0.5	LORG

Wire size code

Wire Size	Code
0.5	0.5
0.75	0.75
1.0	1.0
1.5	1.5
2.0	2.0
2.5	2.5
3.0	3.0
3.5	3.5
4.0	4.0
4.5	4.5
5.0	5.0
5.5	5.5
6.0	6.0
6.5	6.5
7.0	7.0
7.5	7.5
8.0	8.0
8.5	8.5
9.0	9.0
9.5	9.5
10.0	10.0

Wire color code

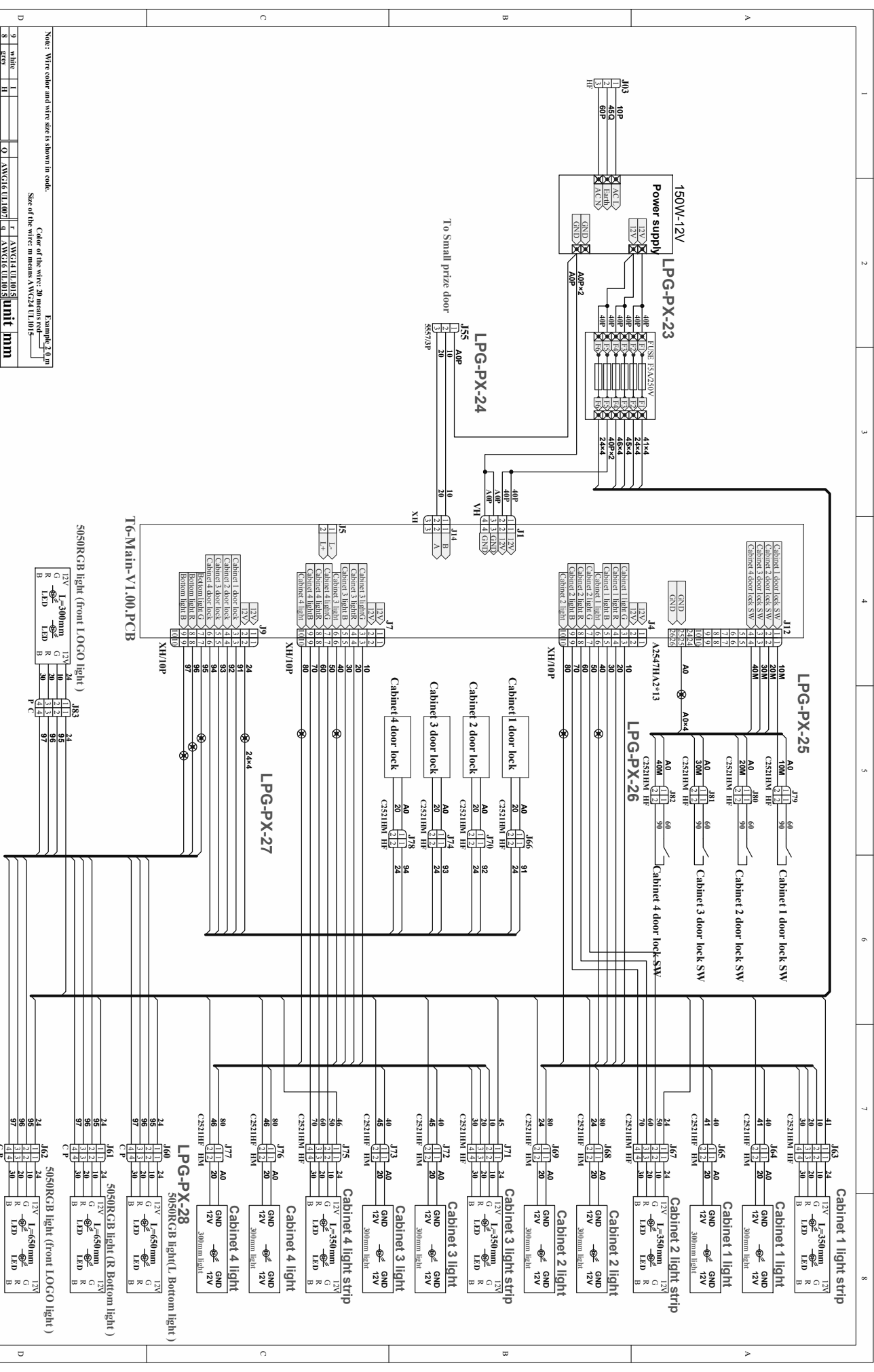
Wire Color	Wire Size	Code
Black	0.5	BLK
White	0.5	WHT
Red	0.5	RED
Blue	0.5	BLU
Green	0.5	GRN
Yellow	0.5	YEL
Purple	0.5	PUR
Brown	0.5	BRO
Pink	0.5	PNK
Grey	0.5	GRY
Orange	0.5	ORG
Light Blue	0.5	LBL
Light Green	0.5	LGR
Light Yellow	0.5	LYL
Light Purple	0.5	LPL
Light Brown	0.5	LBRO
Light Pink	0.5	LPNK
Light Grey	0.5	LGRY
Light Orange	0.5	LORG

Wire size code

Wire Size	Code
0.5	0.5
0.75	0.75
1.0	1.0
1.5	1.5
2.0	2.0
2.5	2.5
3.0	3.0
3.5	3.5
4.0	4.0
4.5	4.5
5.0	5.0
5.5	5.5
6.0	6.0
6.5	6.5
7.0	7.0
7.5	7.5
8.0	8.0
8.5	8.5
9.0	9.0
9.5	9.5
10.0	10.0

Time Out GMP Wiring Diagram 1

UNIS



Note: Wire color and wire size is shown in code. Example: 2.0mm

Color of the wire: 20 means red.

Size of the wire: in means AWG24 UL1015

Wire color	Wire size code	Wire size code	Wire size code	Tolerance
White	I	AWG16 UL1015	1.0	±0.1
Grey	H	AWG16 UL1015	1.0	±0.1
Black	L	AWG16 UL1015	1.0	±0.1
Blue	F	AWG18 UL1015	0.8	±0.1
Red	B	AWG18 UL1015	0.8	±0.1
Orange	C	AWG22 UL1015	0.5	±0.1
Green	G	AWG22 UL1015	0.5	±0.1
Yellow	N	AWG22 UL1015	0.5	±0.1
Pink	M	AWG22 UL1015	0.5	±0.1
Brown	A	AWG22 UL1015	0.5	±0.1
White	J	AWG24 UL1015	0.2	±0.1

Wire color code

Wire size code

Wire size code

Tolerance

UNIS

Time Out GMP Wiring Diagram 2

Ver: LPG-PX-00-02

Date: 2023.10.30