



 Be Sure  
to Read this  
Manual  
Before Use



# Operation Manual



[www.universal-space.com](http://www.universal-space.com)

# CONTENT

IMPORTANT SAFETY INSTRUCTIONS.....	2
1. SPECIFICATIONS .....	4
2. PACKAGE CONTENTS.....	5
3. PART NAME.....	6
4. SET UP & INSTALLATION.....	7
5. HOW TO PLAY .....	10
6. GAME OPTION .....	11
7. ERROR MESSAGE AND RECOVERY .....	13
8. MAINTENANCE & INSPECTION.....	15
9. OVERALL CONSTRUCTION .....	18
10. DECALS .....	28

Non-technical personnel who do not have technical knowledge and Expertise should refrain from performing such work that this manual require or perform tasks which are not explained in this manual. Failing to comply can cause severe accidents such as electric shock or other serious injuries. All repairs must be performed to original manufacturer specifications.

**WARNING:** To reduce the risk of fire, electric shock or personal injury, unplug or disconnect the machine from the power supply before servicing.

Thank you for purchasing **TOSS UP** from Universal Space. We hope you enjoy the product.

This manual contains valuable information about how to operate and maintain your game machine properly and safely. It is intended for the owner and/or personnel in charge of product operation. Carefully read and understand the instructions.

If you need any help during installation and setup please utilize this manual and troubleshooting guide. If the product fails to function properly, *non-technical personnel should under no circumstance attempt to service the machine*. Contact your distributor or manufacturer for help.

Before use, please read **IMPORTANT SAFETY INSTRUCTIONS**.

## **IMPORTANT SAFETY INSTRUCTIONS**

**To ensure the safe usage of this product, carefully read and understand these instructions before operating your game.**

**Save these instructions for future reference.**

Use this product only as described in this manual. Other uses not recommended may cause fire, electric shock or personal injury. Unplug the game from the outlet when not in use, when moving from one location to another, and before cleaning/servicing.

Explanations which require special attention are indicated by signs of warning. Depending on the potential hazardous degree, the terms: **NOTE**, **NOTICE**, and **WARNING** are used.

**NOTE:** A NOTE indicates useful hints or information about product usage.

**NOTICE:** A NOTICE indicates potential damage to product and how to avoid the problem.

**WARNING:** A WARNING indicates a potential for product damage or serious personal injury.

It is important to understand the meaning of the following HAZARD SIGNS before continuing:

### **High Voltage and Shock Hazard:**

High voltage can cause electric shock.  
Turn off/unplug power before servicing.



### **High Temperature Hazard:**

This part may cause scalding.  
Do not touch. Surface may be hot.



### **No Touching Hazard:**

This part may be hot or can cause electric shock.  
Do not touch.



Use the following safety guidelines to help ensure your own personal safety and to help protect your equipment and surrounding environment from potential damage.

 **This product is an indoor game machine. Do not install outdoors.**

Avoid installing in the following places to prevent fire, electric shock, injury and/or machine malfunctioning:

- Places subject to rain/moisture, or places subject to high humidity.
- Places subject to direct sunlight, or places subject to extremely hot or cold temperatures to ensure that it is used within the specified operating range.
- Places where inflammable gas may be present or in the vicinity of highly inflammable/volatile chemicals or items that can easily catch fire
- On unstable or sloped surfaces. The machine may topple or cause unforeseen accidents.
- Vicinity of fire exits, fire extinguishers etc that may block/prevent safety measures

**IMPORTANT NOTE:**

**ALL REPAIRS MUST BE DONE TO ORIGINAL MANUFACTURER SPECIFICATIONS. FAILURE TO DO SO VOID ALL WARRANTIES AND OPERATOR ASSUMES ALL RISKS.**

Note: The contents of this manual may be updated without notice.

# 1. SPECIFICATIONS


Rated power supply: **AC110V 50/60Hz**

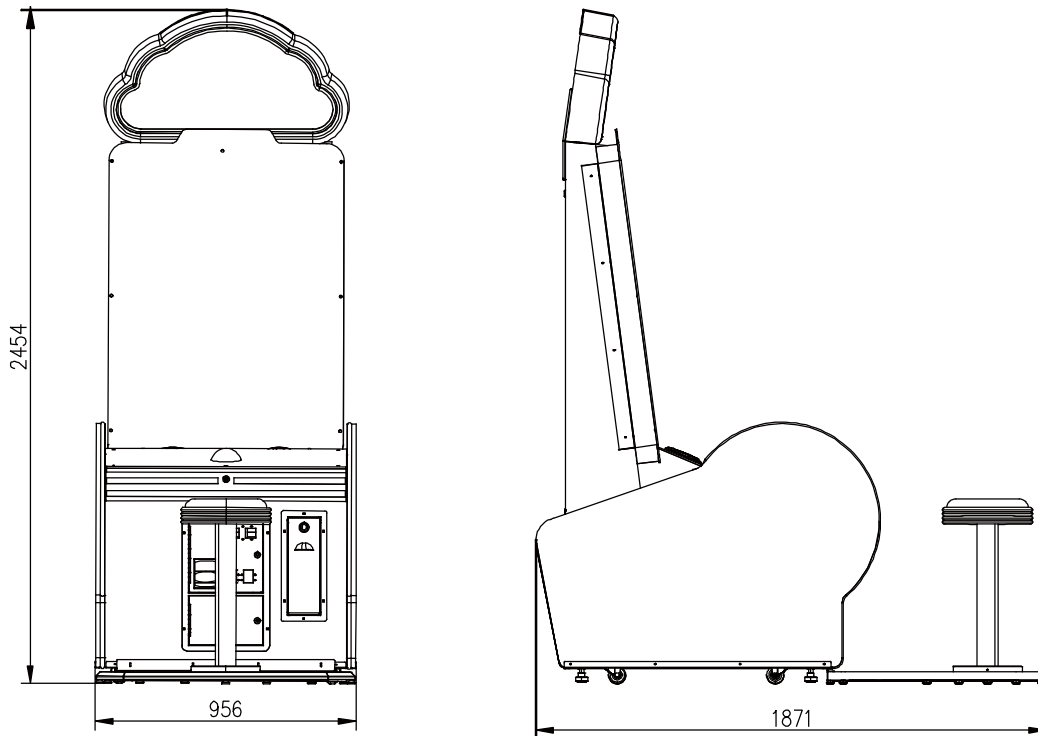
Min. Power consumption: **350W**

Max. Power consumption: **420W**


Dimensions: **W956×D1871×H2454 (mm)**

Weight: Approximately **210kg**

 **NOTICE:** After turning off the game, please wait at least 1 minute before restarting again.









**Note:** Game parameters are subject to change without notice.

 **NOTICE:** After turning off the game, please wait at least 1 minute before restarting again.

## 2. PACKAGE CONTENTS

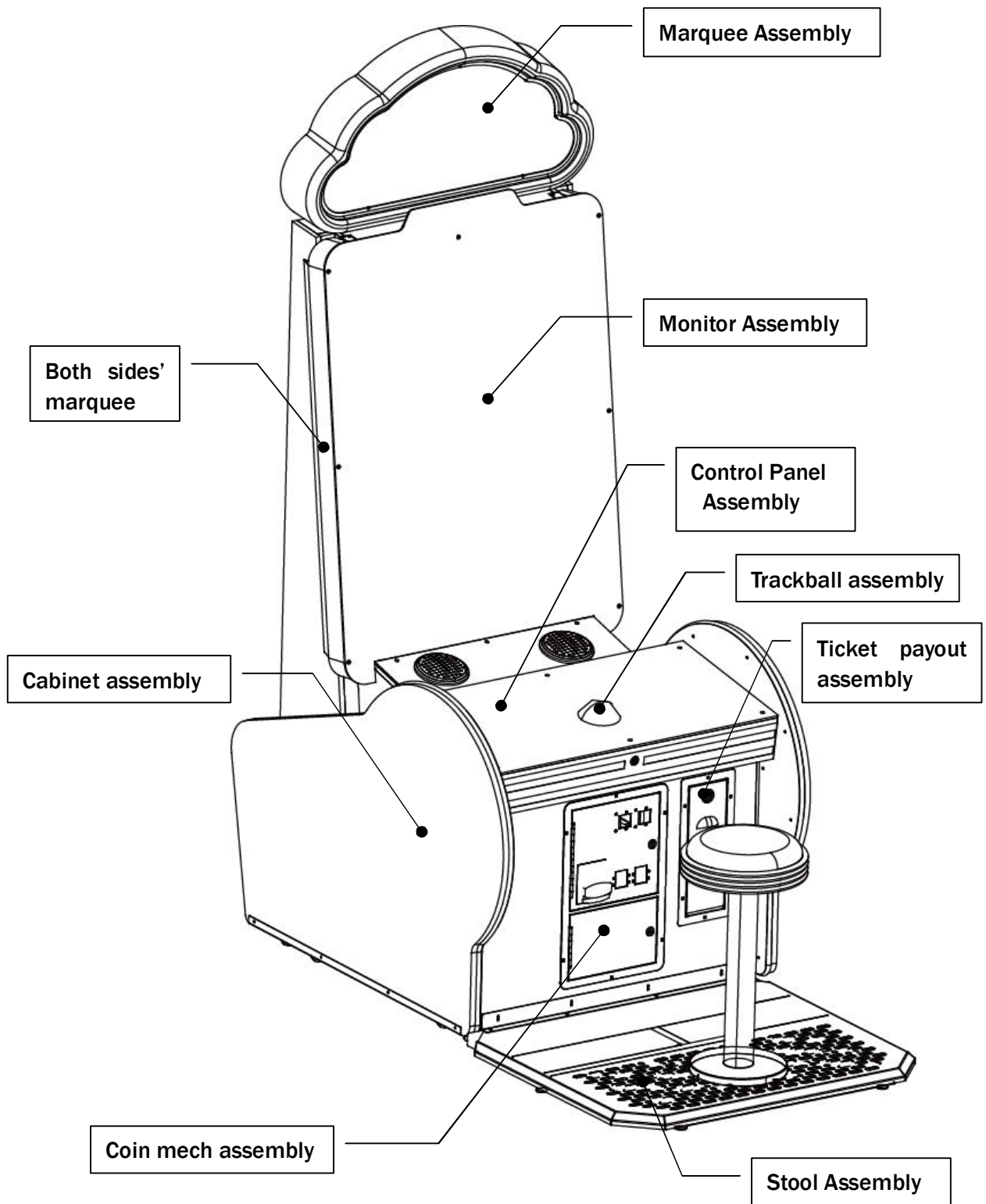
Open the package and make sure all the items are included:

1. 1 x Body Assembly
2. Following accessories

No.	Part No.	Code No.	Name	Spec.	Qty	Picture
1	T120-449-000	23301000001	Power cord	10A/250V-1.8M	1	
2	T120-725-000	41460837088	Manual	English	1	
3	T120-450-000	25300171001	Key	171	2	
4	T120-451-000	25300172002	Key	171B	2	
5	T120-452-000	41300000003	U disk	lenovo 2G	1	
6	T120-453-000	21901000012	Fuse	Φ5×20mm T5A 250VAC	1	
7	T120-454-000	25302000010	Pressure key	AY05	2	

**NOTE:** Part models are subject to change without notice.

### 3. PART NAME



## 4. SET UP & INSTALLATION

 **This product is an indoor game machine. Do not install outdoors.**

- Refer to IMPORTANT SAFETY INSTRUCTIONS (Pg. 2) for places to avoid
- Place the unit on a dry level surface
- Ventilation openings in the back of the unit must not be obstructed by objects or by wall.

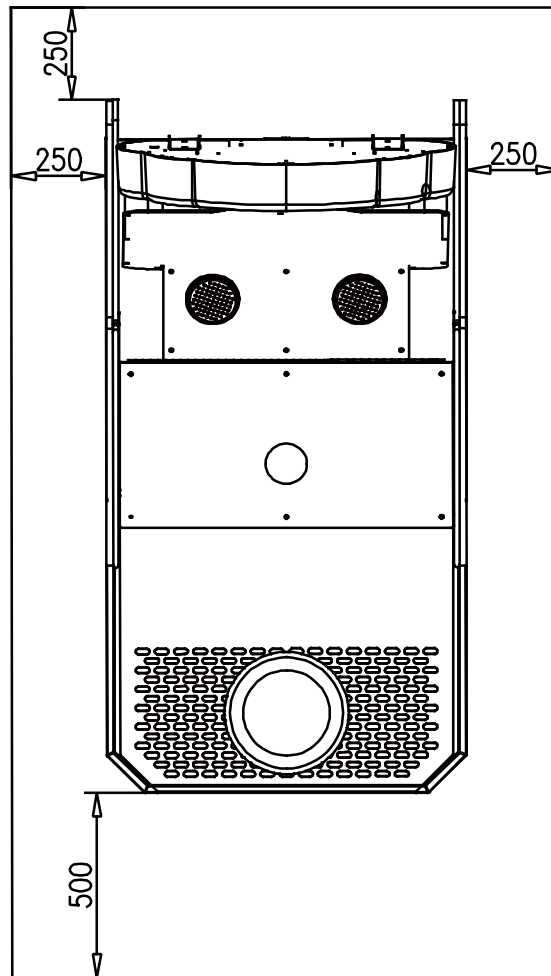
### 4.1 Play Zone

This machine requires space for playing and for maintenance as shown below.

Leave space around the game upon installation:

**Service area: 250mm**

**Play area: 500mm**

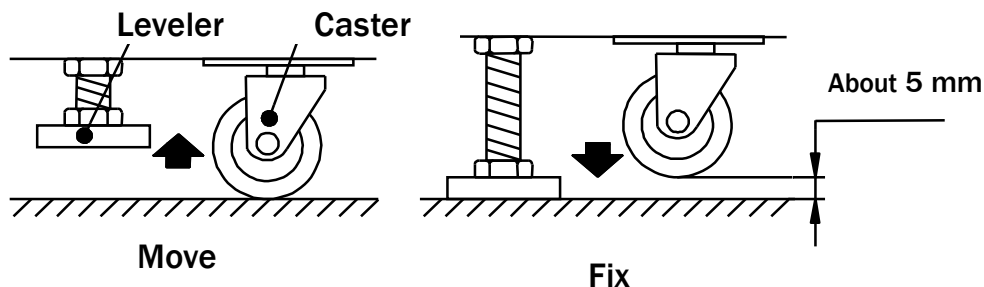




## 4.2 Level Adjustment

Install this machine on a flat surface. Adjust levers to lift casters off the ground to level the game. If the game is installed on an unsuitable floor, it could cause game malfunction.

To secure the game, adjust the Leveler down until it touches the floor, lifting the casters off the ground by 5mm. Repeat the same for all levelers.

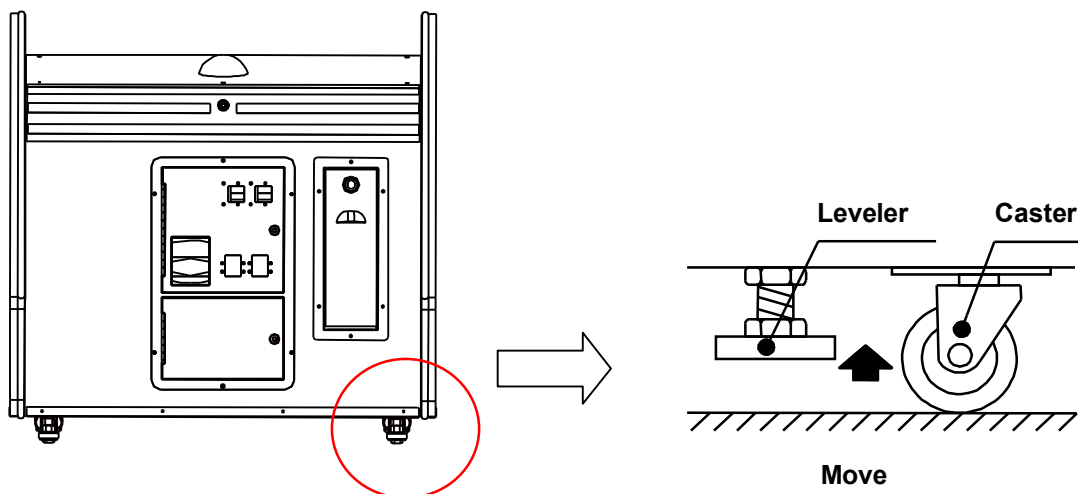


### NOTICE

Make sure the machine is level with the ground and all the adjustable legs should stick to the floor closely.

## 4.3 Transporting the Game

If you need to move the game, adjust the levelers back to an “up” position so the casters touch the ground.



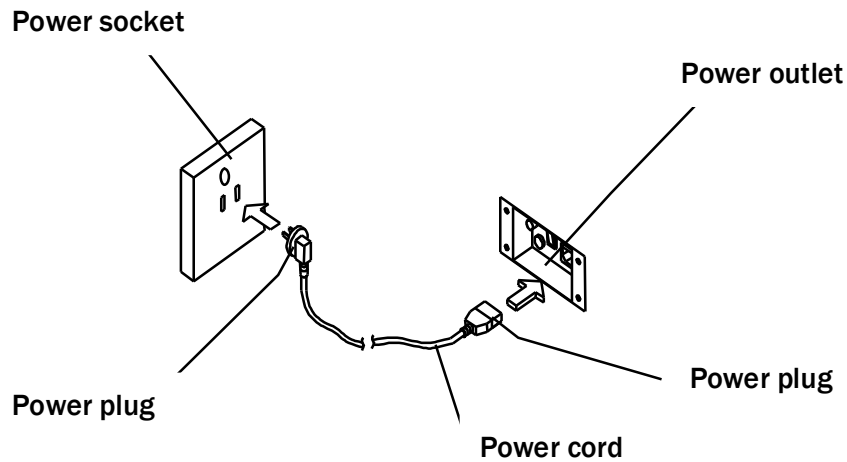
### NOTICE

- Be careful not to damage the machine during transport.
- The machine should be handled with care when bringing it down from a higher level.
- Always unplug the game before moving.
- Keep the machine in upright position during transport.
- For longer distance transport, package the game properly to prevent damages.

## 4.4 Connecting Power

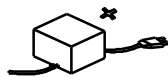
**! WARNING:** Check the voltage rating before you connect the equipment to an electrical outlet to ensure that the required voltage and frequency match the available power source. Please refer the label of the machine.

- Do not plug the equipment power cables into an electrical outlet if the power cable is damaged.
- Avoid putting many loads on one electrical outlet as it could generate heat and fire resulting from overload.
- Connect the grounding conductor to the earth terminal (GND):

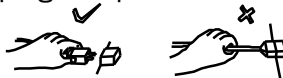


**! WARNING**

Ensure no heavy objects rest on the power cord. Check to make sure the game cabinet does not sit on the power cord as this could damage the cord and become hazardous.



To disconnect the game, grip the plug and pull it from the wall outlet. Never pull by the cord.



To prevent electric shock, do not touch the power plug when hand is wet.



Ensure that nothing rests on the power cord and that it is not located where it can be stepped on or tripped over.



## 5. HOW TO PLAY



**1** Swipe the trackball to control the direction of your toss

A close-up view of the game board showing a hand swiping a trackball. The word 'CONTROL' is written in green letters with a green arrow pointing to the trackball. The background shows the colorful holes and point values.

**2** Toss balls into the holes to score

A close-up view of the game board showing a ball being tossed into one of the holes. The word 'SCORE' is written in green letters with a green arrow pointing to the hole. The background shows the colorful holes and point values.

**3** Toss balls into the HAT for higher points

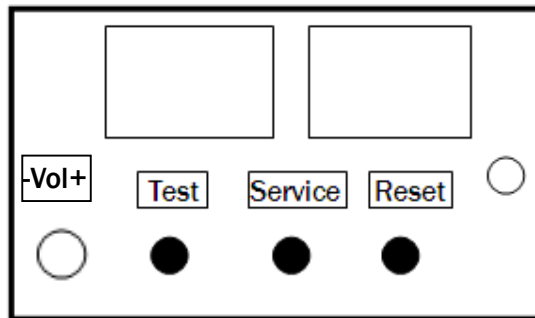
A close-up view of the game board showing a ball being tossed into the HAT. The word 'HAT' is written in green letters with a green arrow pointing to the HAT. The background shows the colorful holes and point values.

**4** Receive extra balls when balls enter the rainbow tunnel

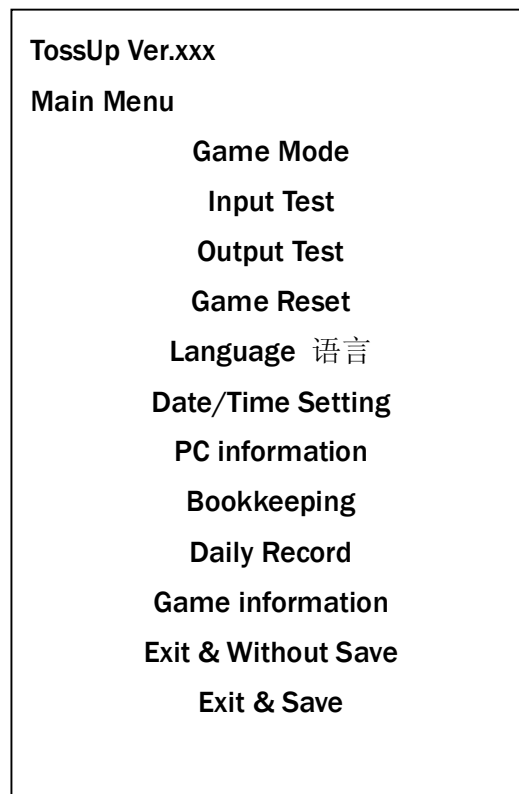
A close-up view of the game board showing a ball entering the rainbow tunnel. The words 'COLOR BALLS' are written in green letters with a green arrow pointing to the rainbow tunnel. The background shows the colorful holes and point values.

## 6. GAME OPTION

Open the front door and there is a meter on the coin box. Press Test button on the meter and get into the setting menu.



### Main Menu



## Game Mode

TossUp Ver.xxx		TossUp Ver.xxx	
Game mode		Game mode	
Free Play	OFF	Free Play	OFF
Tickets Out	ON	Tickets Out	ON
Attract Mode	OFF	Attract Mode	OFF
Save Coins	ON	Save Coins	ON
Volume	10	Volume	10
Coins Per Game	2	Coins Per Game	2
Shots Per Play/Time play	By Shot	Shots Per Play/Time play	By Shot
Balls Per Game	10	Balls Per Game	10
Pay Out Setting	Yes	Pay Out Setting	No
PayOut	7	Points/Tickets	Tickets
Tickets/Points	Tickets	Green Hole	20
Rainbow Tickets	10	Red Hole	10
Rainbow Bridge Tile Mode	OFF	Blue Hole	15
Ticket Mode	Store in Memory	Bottom Side Tunnel	0.5
AutoFire Time	0	Rainbow Tickets	10
Back		Rainbow Bridge Tile Mode	OFF
		Ticket Mode	Store in Memory
		AutoFire Time	0
		Back	

## Explanation:

No.	Item	Options	Note
1	Free Play	ON/OFF	Play game without credit in
2	Tickets Out	ON/OFF	Whether pay out tickets after game over
3	Attract Mode	ON/OFF	Whether play with sounds during demo
4	Save Coins	ON/OFF	Whether save coins when power is off
5	Volume	0~10	0 is mute. 10 is max volume
6	Coins per game	1~10	Coins needed to insert for one game.
7	Shots Per Play/ Time Play	By Shot/Time Play	Play game with limited shots or time
8	Balls Per Game	5,10,15,20	Set balls to play one game in By Shot mode
9	Time Per Game	5~60 (s)	Set time to play one game in Time Play mode
10	Pay out Setting	Yes/No	Tickets or points are adjustable In Pay out mode, otherwise by default
11	PayOut	1~50	To set the near average of tickets out when pay out setting is YES.
12	Points/tickets	Points/tickets	Set the value of holes in points or ticket
13	Rainbow Tickets	5~100	Tickets for rainbow prize

No.	Item	Options	Note
14	Rainbow Bridge Tile Mode	ON/OFF	Whether rainbow bridge is flat or tilt
15	Ticket Mode	Store in Memory/ call attendant	Whether continue to play the game when ticket is owed.
16	Auto Fire Time	0~60 (s)	Set the time to auto play

### Game Mode

TossUp Ver.xxx	
Game mode	
Free Play	OFF
Tickets Out	ON
Attract Mode	OFF
Save Coins	ON
Volume	10
Coins Per Game	2
Shots Per Game/Time Play	Time Play
Time Per Game	20
Pay Out Setting	No
Points/Tickets	Points
Green Hole	20
Red Hole	10
Blue Hole	15
Bottom Side Tunnel	0.5
0-1000 Points Win Tickets	5
1005-1700Points Win Tickets	10
1705-3000Points Win Tickets	25
3005-4000Points Wn Tickets	70
4005+Points Win Tickets	150
Rainbow Tickets	10
Rainbow Bridge Tile Mode	OFF
Ticket Mode	Store in Memory
AutoFire Time	0
Back	

TossUp Ver.xxx	
Game mode	
Free Play	OFF
Tickets Out	ON
Attract Mode	OFF
Save Coins	ON
Volume	10
Coins Per Game	2
Shots Per Game/Time Play	Time Play
Time Per Game	20
Pay Out Setting	Yes
PayOut	7
Points/Tickets	Points
0-1000 Points Win Tickets	5
1005-1700Points Win Tickets	10
1705-3000Points Win Tickets	25
3005-4000Points Wn Tickets	70
4005+Points Win Tickets	150
Rainbow Tickets	10
Rainbow Bridge Tile Mode	OFF
Ticket Mode	Store in Memory
AutoFire Time	0
Back	

Explanation:

No.	Item	Options	Note
1	Green Hole	200~400 (points)	Set Green Hole value when set to Point
		0.5~10 (tickets)	Set Green Hole value when set to Ticket
2	Red Hole	100~300(points)	Set Red Hole value when set to Point
		0.5~10 (tickets)	Set Red Hole value when set to Ticket
3	Blue Hole	100~300(points)	Set Blue Hole value when set to Point
		0.5~10(tickets)	Set Blue Hole value when set to Ticket
4	Bottom Side Tunnel	0~50(points)	Set Bottom Side Tunnel value when set to Point
		0.5~10 (tickets)	Set Bottom Side Tunnel value when set to Ticket
5	0-1000 Points Win Tickets	1~200	Tickets awarded in this range of points
6	1005-1700Points Win Tickets	1~200	Tickets awarded in this range of points
7	1705-3000Points Win Tickets	1~200	Tickets awarded in this range of points
8	3005-4000Points Win Tickets	1~200	Tickets awarded in this range of points
9	4005+Points Win Tickets	1~200	Tickets awarded in this range of points

## 7. ERROR MESSAGE AND RECOVERY

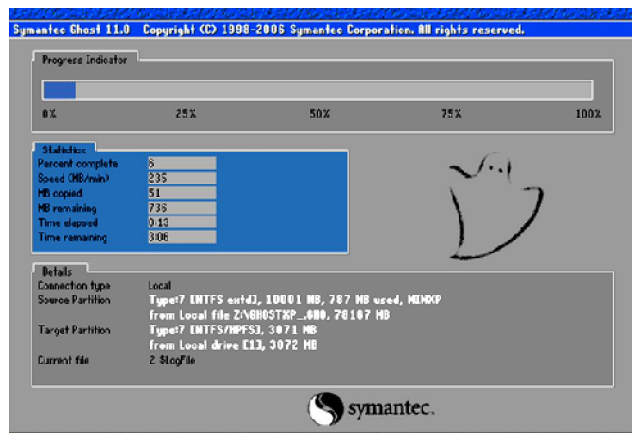
### 7.1 Trouble Shootings

- Please confirm whether every connector connected tightly.

Troubles	Cause	Methods
Cannot start with power on	Power source not fit	Check and replace it
	Leak-protective SW activated	Check and turn it on
	Voltage not 110V	Change power source
Blank screen with Open WINDOWS sound and power on	VGA signal line loosen	Draw out and reinsert it. If not for the host VGA signal line, check the monitor VGA signal line
	Monitor broken	Replace monitor. Please call 4006-020-321 for after-sales service if broken
	Game program error	Update game again
Monitor blue screen and sound out with power on	Host power cord loosen	Check and replug it
	Host-monitor VGA signal line loosen	Check and replug it
	Host video card loosen	Open the host cover, Draw out and reinsert it
	Host in protective mode	Open the front cover, hold down power button for 30s if boot indicator keep flashing. Call 8008108888 Lenovo after-sales if it don't work
Start normally but crash sometime in process	Video card loosen or poor contact	Draw out and reinsert video card
	Computer crashed	Restart it or restore system
No reaction from coin mech	Coin mech broken	Replace coin mech
	Coin mech's signal line loosen	Check and replug it
	Not in DC12V	Change the voltage of power SW
	IO control-panel broken	Replace IO control-panel
Start normally but sound out	Volume shut down	Adjust volume
	Audio cable loosen	Check and replug it
	AMP broken	Replace AMP
	Speaker broken	Replace speaker
Start normally but cannot enter gaming scene	Host-IO control panel VGA signal line loosen	Check and replug it
	IO control-panel broken	Replace IO control-panel
	Dongle broken	Replace dongle
Lights not work	DC12V connecting line loosen	Check and replug it
	Power source broken	Replace power source
	DC12V connecting line short circuit	Check and replug it
	Light control-panel broken	Replace control-panel



## 7.2 System Recovery Operation



1. Turn off the game. Insert the memory stick into the USB port at the back of the computer.
2. Restart PC to enter the system recovery screen as shown.
3. The game will automatically start recovery which will last about 5 minutes.

Please wait until process is complete.



4. Once system (shown on the left), remove the USB drive from the computer and wait 30 seconds before...

**WARNING:** the USB flash drive should only be used to fix software errors. Using it for other purposes may cause unexpected results and damages.

## 8. MAINTENANCE & INSPECTION

### 8.1 Safety Check

Check the points listed before operating the machine. These checks are necessary for safe machine operation:

1. Try to run the game before operation each day.
2. Conduct monthly routine checks of game components ensure good working condition
3. Check the machine regularly for dust and clean when necessary.

**Note:** Parts and components require preventative maintenance to be kept running smoothly

### 8.2 Handling Precautions

When installing or inspecting the machine, be very careful of the following points and pay attention to ensure that the player can enjoy the game safely.

Non-compliance with the following points or inappropriate handling running counter to the cautionary matters herein stated can cause personal injury or damage to the machine



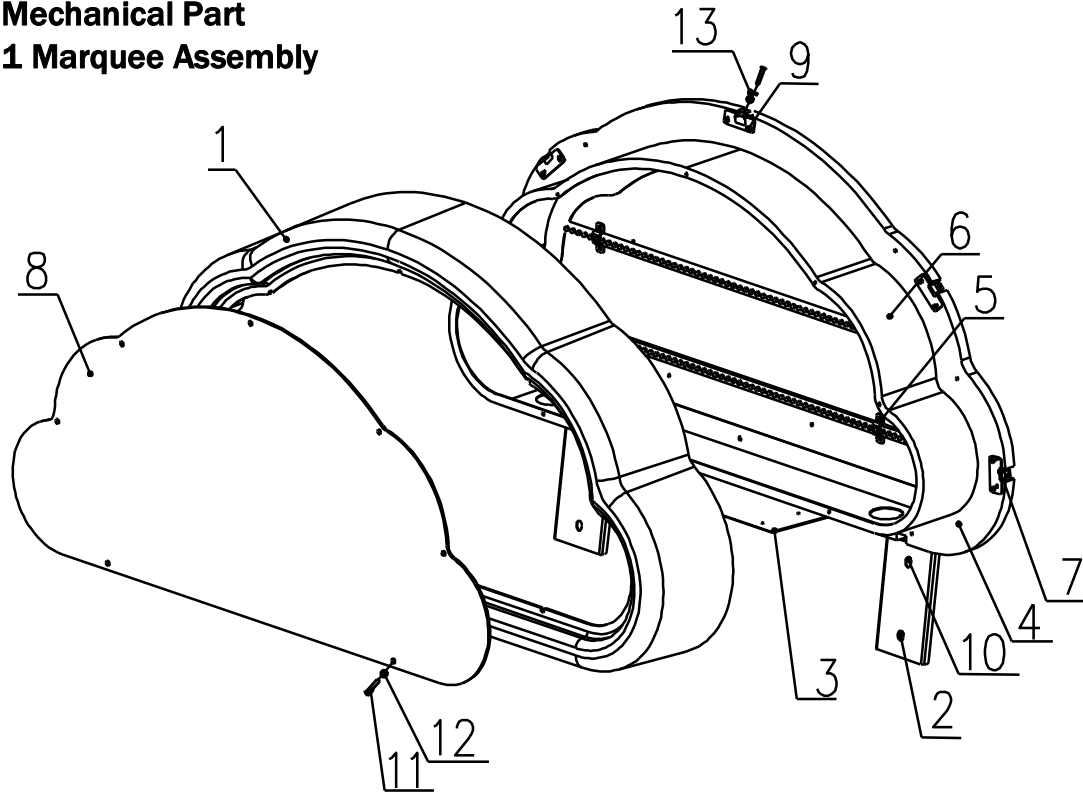
#### WARNING

- Before servicing the machine, be sure to turn power off. Servicing without turning the power off can cause electric shock or short circuit.
- To avoid electric shock or short circuit, do not plug then unplug the power quickly
- Do not expose power cords and earth wires, these are susceptible to damage.
- Damaged cords and wires can cause electric shock or short circuit and should be replaced immediately.
- When or after installing the product, avoid pulling the power cord to prevent unnecessary wear and tear. Use the power button to disconnect power.
- In case the power cord is damaged, ask for replacement through where the product was purchased from or replace locally. Continued usage of damaged cord can cause fire, electric shock or leakage.
- Perform grounding appropriately. Inappropriate grounding can cause electric shock.
- Use fuses that meet specified rating. Fuses exceeding can cause an electric shock.
- Should a problem occur, turn off the power immediately and stop operating the machine. Unplug the power cord of the service outlet. Operating the machine without correcting the problem may cause a fire or injuries.
- Insert the power plug securely into the outlet. Poor contact may cause overheating, resulting in fire or burns.
- To ensure the warning labels attached on the machine are visible and legible, install the machine in a well-lit location, and keep the labels clean at all times. Make sure the labels are not hidden behind other game machines.

## 9. OVERALL CONSTRUCTION

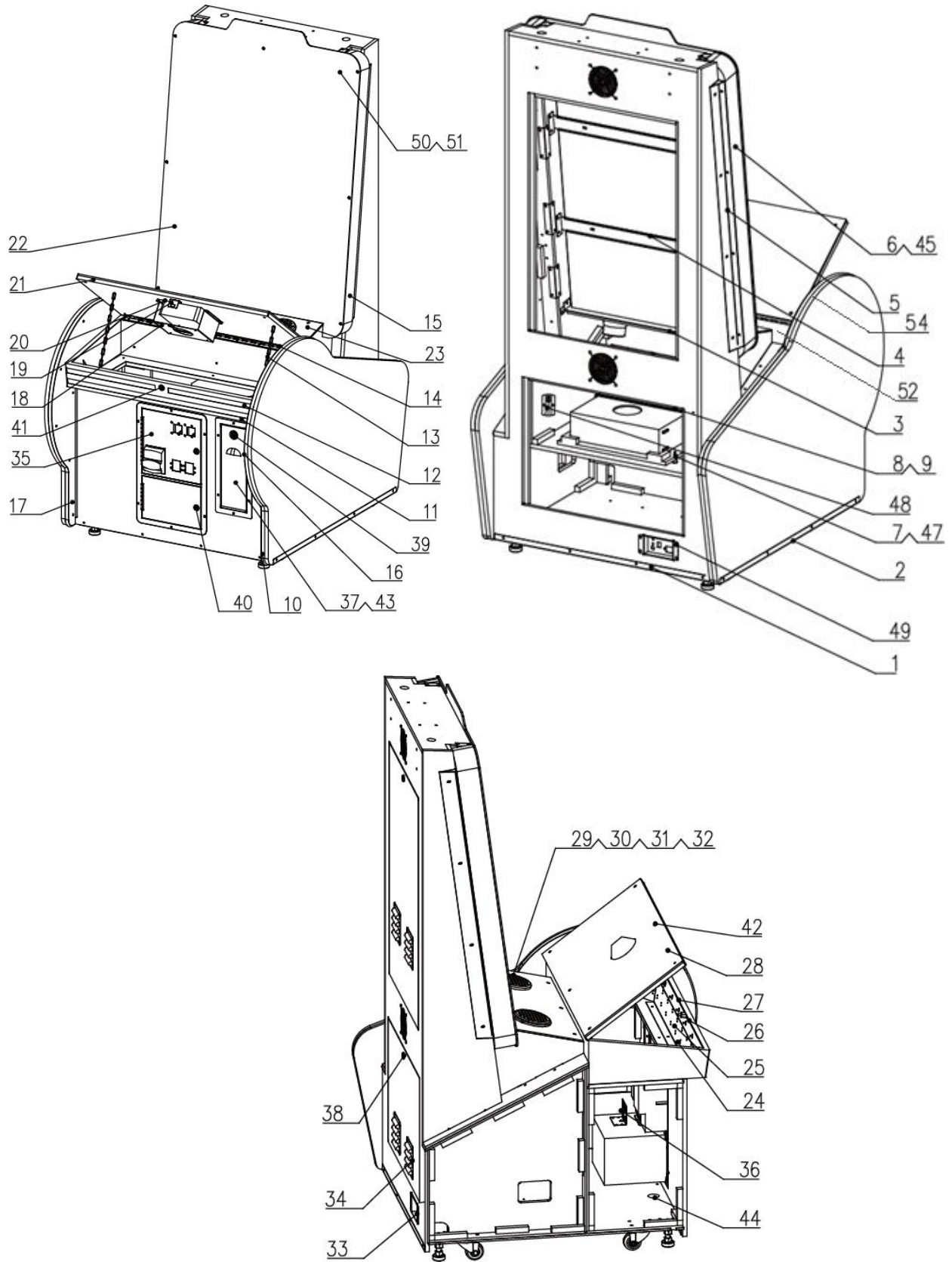
### 9.1 Mechanical Part

#### 9.1.1 Marquee Assembly



No.	Part No.	Code No.	Name	Material	Qty
1	T120-101-000	20641324002	Marquee	white	1
2	T120-102-000	20241324017	Marquee fixed seat	metal	2
3	T120-103-000	20241202S045	Marquee mounted plate 1	metal	1
4	T120-501-000	20341202S023	Marquee fixed plate	black MDF	1
5	T120-104-000	20241202S046	Light strip fixed part	Metal	4
6	T120-105-000	20241324016	Light barrier	Q235	1
7	T120-106-000	20241202S048	Plastic fixed plate 2	metal	7
8	T120-107-000	20541325004	Marquee decal	Transparent plastic	1
9	T120-108-000	20101030025	Cross recessed pan head screw	Q235	22
10	T120-109-000	20101020090	Cross recessed pan head screw kit	Q235	8
11	T120-110-000	20101030005	Hexagon socket button head screws	Q235	14
12	T120-111-000	26000053000	Pad B	black rubber	14
13	T120-112-000	20113000013	A and C washer		1

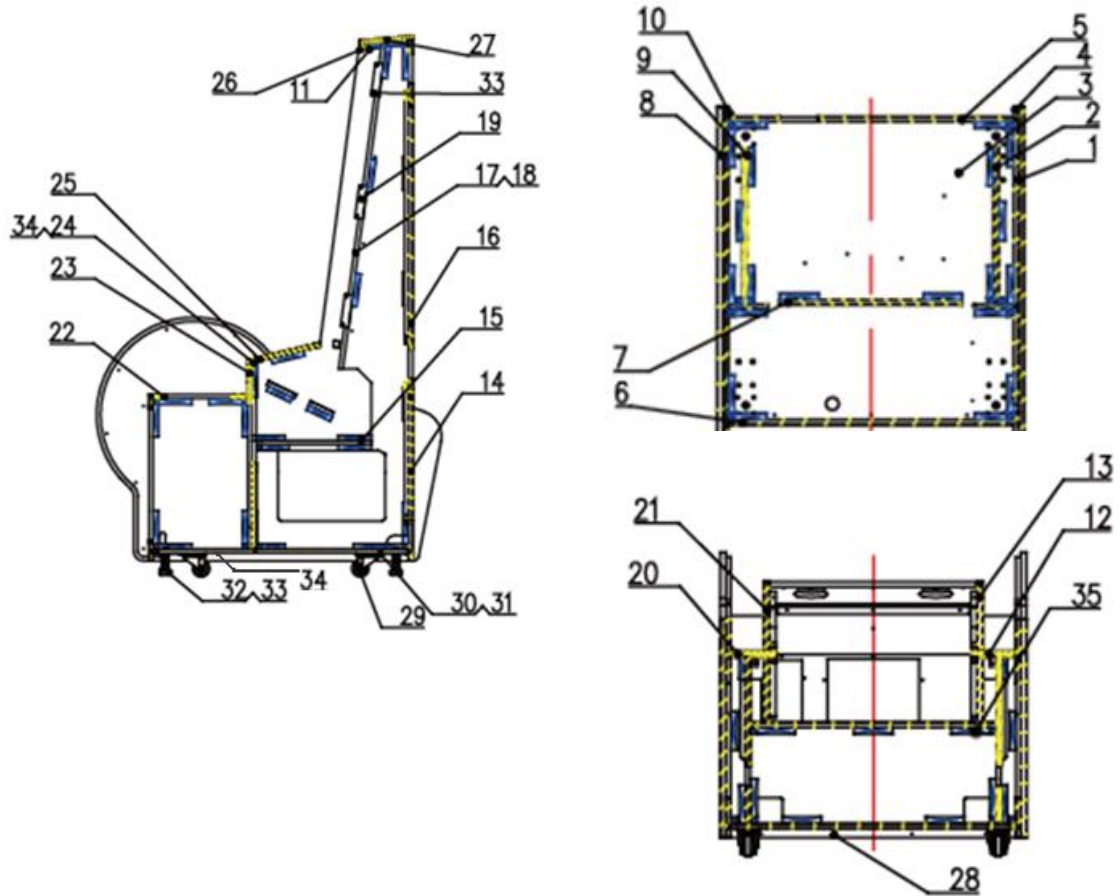
### 9.1.2 Monitor Assembly



No.	Part No.	Code No.	Name	Material	Qty
1	T120-113-000	20241202S021	Front and rear bracket	Q235	1
2	T120-114-000	20241202S022	L and R bracket	Q235	2
3	T120-115-000	20241324011	monitor supported plate	metal	1
4	T120-116-000	20241324010	monitor mounted plate	Q235	2
5	T120-117-000	20241324007	Both sides' marquee mounted plate	Q235	2
6	T120-118-000	20241324009	R light box	Q235	1
7	T120-502-000	20341324026	Computer supported plate	Black MDF	1
8	T120-119-000	20241324015	Computer fixed plate	metal	1
9	T120-120-000	20641324001	Computer foam	High density foam	1
10	T120-121-000	20641202S007	Light strip plastic bar	Silica gel	2
11	T120-122-000	20241202S007	Control panel base	Q235	1
12	T120-123-000	20641202S001	Control panel transparent plate	white	1
13	T120-124-000	20241202S019	Control panel chain	Q235	2
14	T120-125-000	20241202S008	Control panel hinge	Stainless steel	1
15	T120-126-000	20241324008	L light box	Q235	1
16	T120-127-000	20241324005	Inner board 1	Q235	1
17	T120-128-000	20241324006	Inner board 2	Q235	1
18	T120-129-000	20241324013	Light board mounted plate	Metal	1
19	T120-130-000	20241202S024	Control panel fixed plate	Metal	1
20	T120-131-000	20241324012	Trackball mounted plate	Metal	1
21	T120-503-000	20341324025	Control panel lower board	Black MDF	1
22	T120-132-000	20541325003	Monitor plastic	transparent plastic	1
23	T120-133-000	20541325002	Speaker plastic	transparent plastic	1
24	T120-134-000	20241202S009	Light strip mounted plate	Metal	1
25	T120-135-000	20241202S052	Plastic enhancer 2	Metal	1
26	T120-136-000	20241202S050	Plastic enhancer 3	Metal	1
27	T120-137-000	20241202S051	Plastic enhancer 1	Metal	1
28	T120-138-000	20541325001	Control panel decal	transparent plastic	1
29	T120-139-000	20241202S027	Speaker fixed board 2	Metal	2
30	T120-140-000	20641202S005	Shielding plate 1	white	2
31	T120-141-000	20641202S006	Shielding plate 2	Foam board	2
32	T120-142-000	25900016000	Speaker shield		2
33	T120-143-000	26000042000	New wire box		1
34	T120-145-000	26000014000	Air window	Q235	4
35	T120-146-000	26000049000	DBV double coin mech door		1
36	T120-147-000	26000002000	Counter mounted plate A	Q235	1

No.	Part No.	Code No.	Name	Material	Qty
37	T120-148-000	26000018000	Ticket door		1
38	T120-403-000	25300171001	Back door lock		4
39	T120-149-000	20241202S029	171 lock plate A	Q235(zinc)	2
40	T120-407-000	25300172001	Coin box lock		1
41	T120-408-000	25300000010	Pressing lock		1
42	T120-150-000	26000040000	5mm screw washer	ABS	19
43	T120-151-000	20241202S018	Ticket box	Q235	1
44	T120-152-000	20241202S034	Base covered plate	metal	2
45	T120-504-000	20341202S020	L light box pad	MDF	1
46	T120-505-000	20341202S021	R light box pad	MDF	1
47	T120-153-000	26000012000	Shockproof screw A		4
48	T120-154-000	20241324014	Dongle base	metal	1
49	T120-155-000	20241202S025	Power source pressed plate	metal	1
50	T120-156-000	20641202S011	Monitor short foam	high density foam	2
51	T120-157-000	20641202S012	Monitor long foam	high density foam	2
52	T120-191-000	40501000008	yellow bracket	15MM yellow	1
53	T120-192-000	40501000039	black bracket	15MM black	1
54	T120-193-000	40501010003	blue bracket	18MM blue	1

### 9.1.3 Cabinet assembly

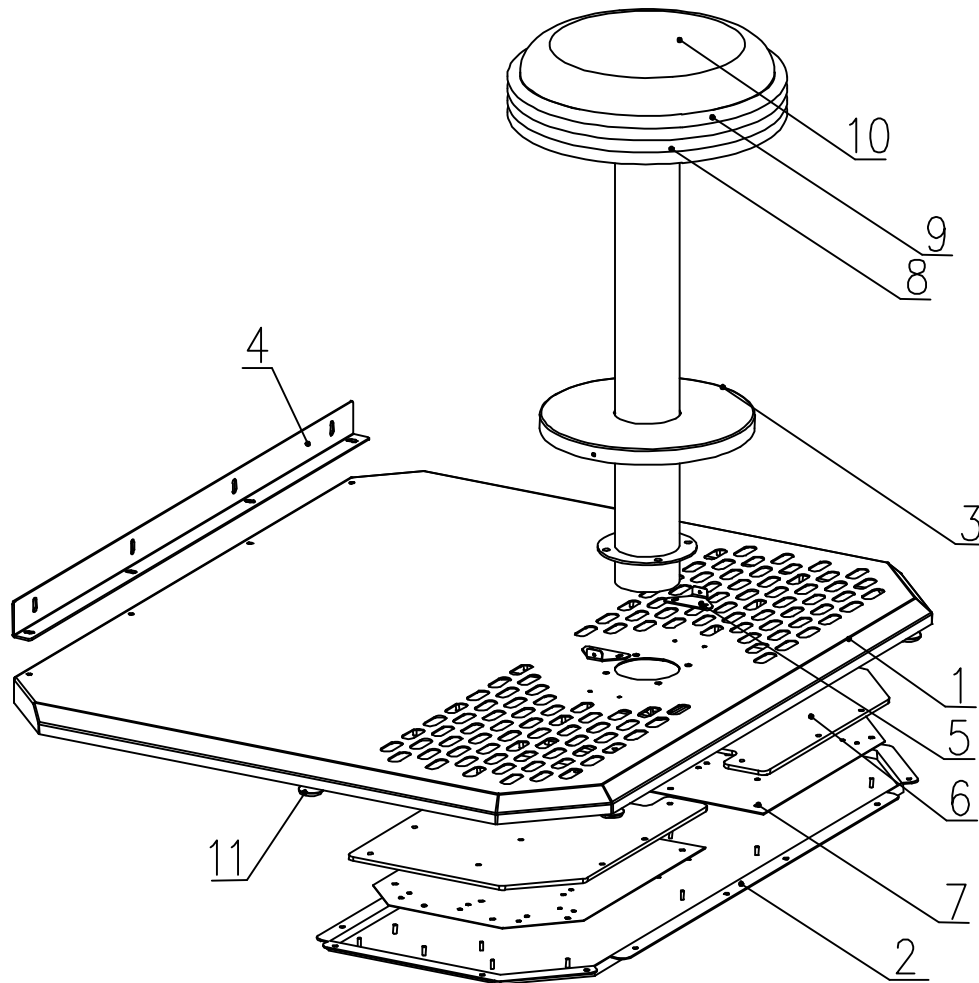


No.	Part No.	Code No.	Name	Material	Qty
1	T120-506-000	20341324003	R outer panel	plywood	1
2	T120-507-000	20341324015	L middle board	black MDF	1
3	T120-508-000	20341324007	R inner panel	yellow MDF	1
4	T120-509-000	20341324011	Back door frame	black MDF	1
5	T120-510-000	20341324004	Front board	black MDF	1
6	T120-511-000	20341324023	Middle partition	black MDF	1
7	T120-512-000	20341324002	L outer board	plywood	1
8	T120-513-000	20341324014	L middle board	Black MDF	1
9	T120-514-000	20341324006	L inner board	Yellow MDF	1
10	T120-158-000	20241324001	Marquee reinforced plate	metal	2
11	T120-515-000	20341324009	R upper board	Black MDF	1
12	T120-516-000	20341324020	R inner board	black MDF	1
13	T120-517-000	20341324013	Lower back door	black MDF	1
14	T120-518-000	20341324022	Host mounted board	black MDF	1
15	T120-519-000	20341324012	Upper back door	black MDF	1
16	T120-520-000	20341324016	R connecting board	Black MDF	1
17	T120-521-000	20341324017	L connecting board	black MDF	1
18	T120-159-000	20241324002	Monitor sided reinforcement	metal	6

No.	Part No.	Code No.	Name	Material	Qty
19	T120-522-000	20341324008	L upper board	black MDF	1
20	T120-523-000	20341324019	L inner board	Black MDF	1
21	T120-524-000	20341324010	Control panel supporting board	black MDF	1
22	T120-525-000	20341324005	Inner supporting board	black MDF	1
23	T120-160-000	20241324003	Connecting plate	metal	1
24	T120-526-000	20341324021	speaker board	black MDF	1
25	T120-527-000	20341324024	Front top board	black MDF	1
26	T120-528-000	20341324018	Top board	Black MDF	1
27	T120-161-000	20241324004	stool connecting reinforcement	metal	1
28	T120-409-000	25501000056	2.5" caster		4
29	T120-162-000	26000010000	2.5" caster bracket	Q235	4
30	T120-163-000	20101000059	Cross recessed pan head screw	Q235	32(36)
31	T120-164-000	26000008000	2.5" leveller	Q235	4
32	T120-165-000	20102000014	hex nut		4
33	T120-166-000	20101100024	cross recessed pan head screw	stainless steel	16
34	T120-529-000	20341324023	Middle partition	black MDF	1
35	T120-530-000	35201001	Wood beam		12.5
36	T120-531-000	20341324001	base board	plywood	1

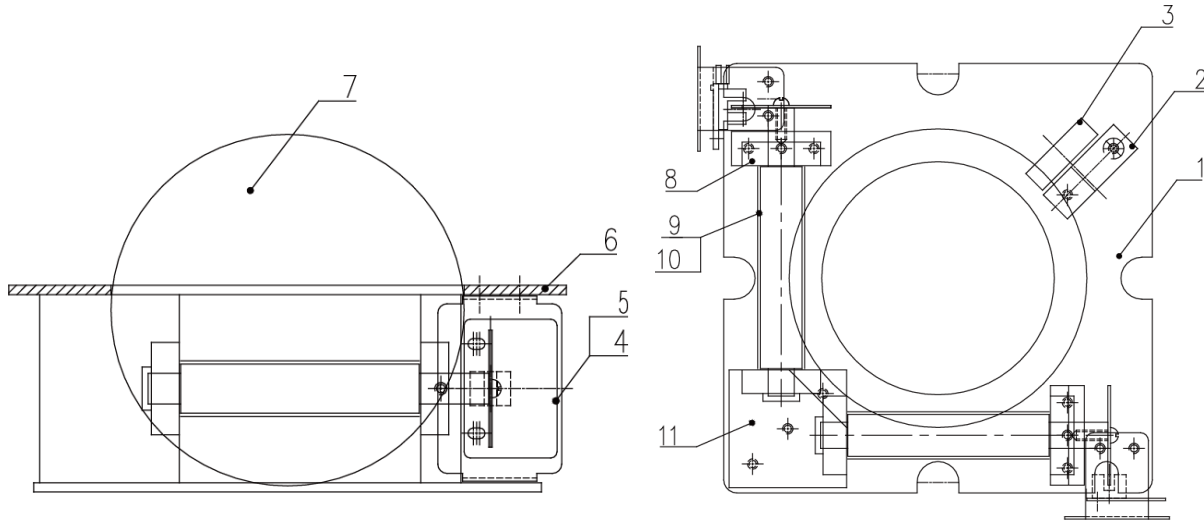


### 9.1.4 Stool Assembly



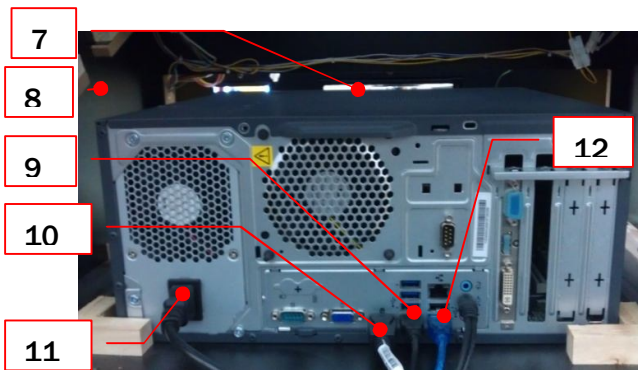
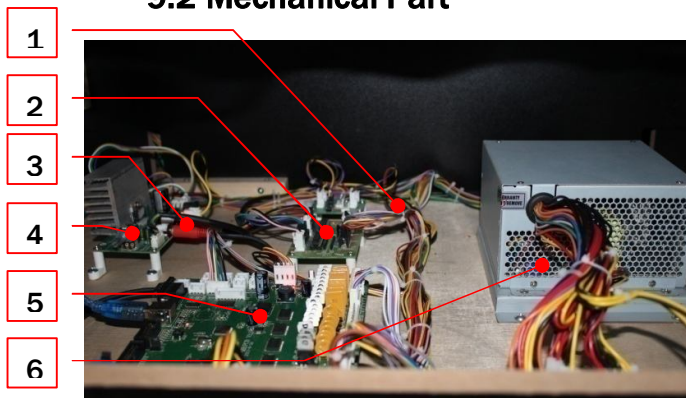
No.	Part No.	Code No.	Name	Material	Qty
1	T120-166-000	20241338004	Foot plate	Q235 (black)	1
2	T120-167-000	20241338001	Stool base	Q235 (bl;ack)	1
3	T120-168-000	20241338005	Stool rod	Stainless steel	1
4	T120-169-000	20241338007	Stool connected plate	Q235	1
5	T120-170-000	20241338003	Stool fixed plate	metal	2
6	T120-171-000	20641338001	Stool shielding board	white	2
7	T120-172-000	20241338002	Stool light strip fixed plate	White PVC	2
8	T120-173-000	20341338001	Stool lower plate	$\delta=15$	1
9	T120-174-000	20241338006	Stainless steel ring	Stainless steel	1
10	T120-175-000	29941338001	Stool surface	ABS	1
11	T120-410-000	25900022001	M8x15 adjustable leveller	M8x15 white	8

## 9.1.5 trackball Assembly

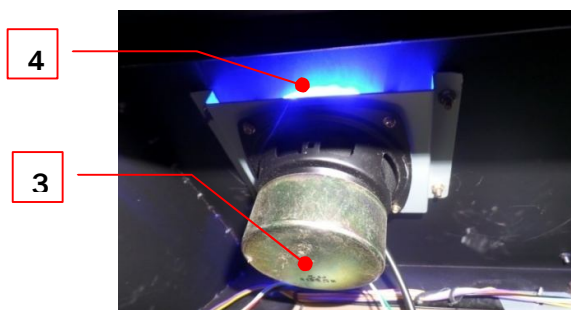
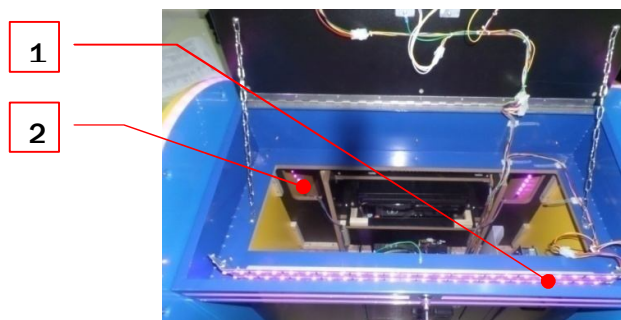


No.	Part No.	Code No.	Name	Material	Qty
1	T120-176-000	20241324019	Trackball seat plate	aluminum $\delta$ 3	1
2	T120-177-000	20241324020	Trackball bracket-1	aluminum $\delta$ 13	1
3	T120-411-000	20106000020	Trackball bearing	FAG 6200-2ZR	5
4	T120-178000	20241324021	Trackball photoelectric switch base	Stainless steel $\delta$ 1	2
5	T120-179-000	20710804007	Infrared sensor	SENSOR A052-1011-00	2
6	T120-180-000	20241324022	Trackball roller	aluminum $\delta$ 3	1
7	T120-412-000	22405000004	4.5" red trackball	55-0300-00	1
8	T120-181-000	20241324023	Trackball bracket-2	aluminum $\delta$ 13	2
9	T120-182-000	20241324024	Trackball axle	Stainless steel $\phi$ 16	2
10	T120-183-000	20241324025	Infrared sensor board	Q235 $\delta$ 1 black	2
11	T120-184-000	20241324027	Trackball bracket-3	aluminum	1

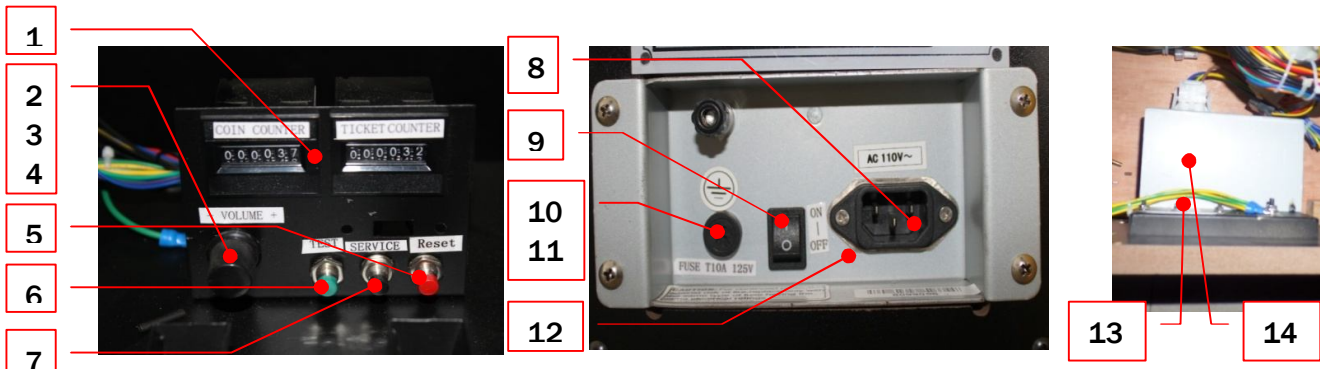
## 9.2 Mechanical Part



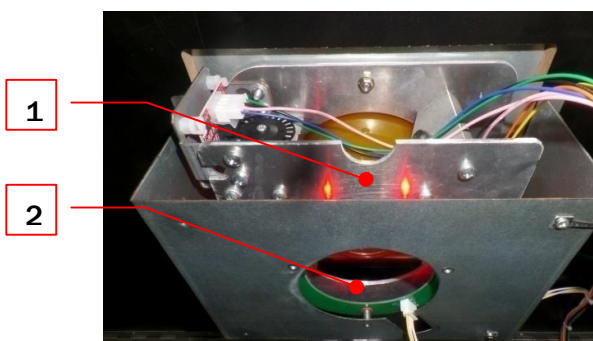
No.	Part No.	Code No.	Name	Spec.	Qty
1	T120-413-000	23309000127	47'' sleeve wire	47'' sleeve line	1
2	T120-801-000	20741019001	PCB	XHZJ-BFBZ.PCB(V1.0)	1
3	T120-414-000	23305000003	Stereo cable	3.5 line 1.8M	1
4	T120-415-000	22803000031	2.0 audio AMP	GOODCORE-25WD	1
5	T120-802-000	21701000029	mainboard	M3_MB.PCB 150×200×2.0mm	1
6	T120-416-000	21602000001	Power box	BTX-3039(110V220V universal)	1
7	T120-417-000	21101000020	Lenovo host	M5820	1
8	T120-418-000	21107020036	dongle	HASP HL PRO	1
9	T120-419-000	23304030001	USB extension cord	A type 1m	1
10	T120-420-000	23307000018	DP-DVI video cable	DP-DVI48140002	1
11	T120-421-000	23301050002	Power cord	3×0.75mm 0.5m	3
12	T120-422-000	23304000021	USB data cord	A/B type 1.5m	1



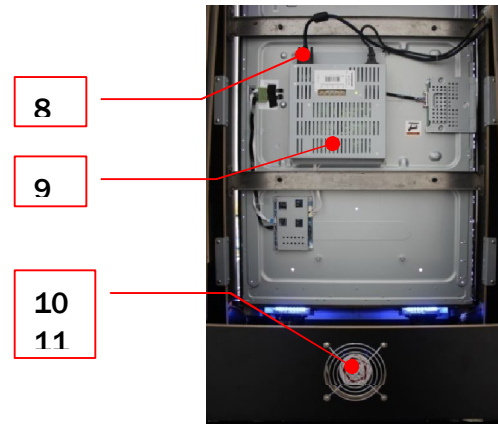
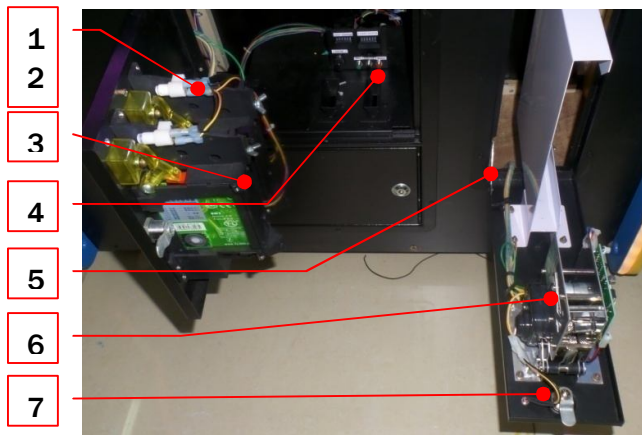
No.	Part No.	Code No.	Name	Spec.	Qty
1	T120-442-000	22002016001	LED(12V) flexible light strip	DC5V RGB IC1606S	1
2	T120-443-000	22002013002	RGB flexible light strip	DC12V 5050LED tricolor LED	3
3	T120-444-000	22801000005	Speaker	Whole tone 4''4 Ω 15W	1
4	T120-804-000	21704000216	Speaker LED light board	XXLY-ANLED.PCB	2



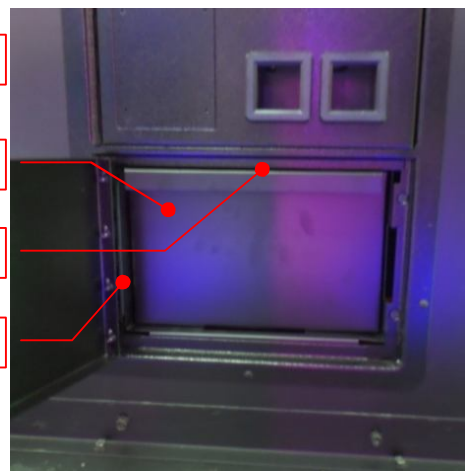
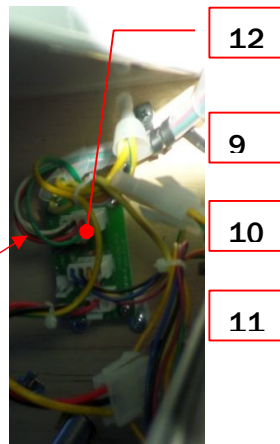
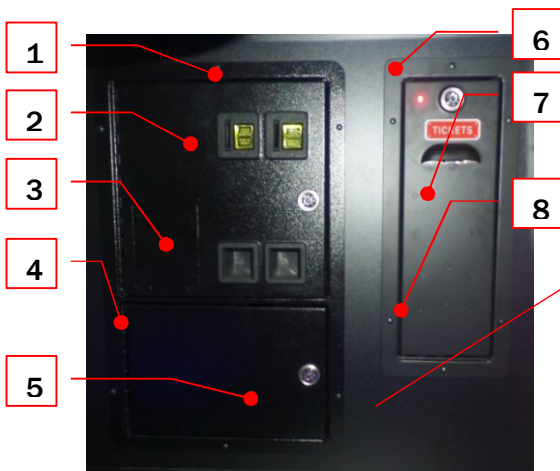
No.	Part No.	Code No.	Name	Spec.	Qty
1	T120-423-000	23000000005	Counter	C-012 12VDC	2
2	T120-803-000	21709000002	POT connecting board	VR.PCB	1
3	T120-424-000	22501000033	POT	RB50K	1
4	T120-425-000	22403000001	POT knob	Black	1
5	T120-426-000	22402010002	Reset button	PB:11C02R(red test button)	1
6	T120-427-000	22402030002	Test button	PB:11C02R(green test button)	1
7	T120-428-000	22402050001	Service button	PB:11C02R(black button)	1
8	T120-429-000	23201000001	filter	YB10A1 10A/250V	1
9	T120-430-000	22601000005	Rocket switch	T125/55	1
10	T120-431-000	21902000006	Fuse bracket	R3-11 110V/250V/10A	1
11	T120-432-000	21901000013	Fuse	Φ5×20mm T10A 125VAC	1
12	T120-481-000	26000042001	wire box	δ1.2	1
13	T120-482-000	26000042003	cable cover	δ1.2	1
14	T120-483-000	26000042002	wire box cover	δ1.2	1



No.	Part No.	Code No.	Name	Spec.	Qty
1	T120-446-000	22405001001	Trackball seat	HAPP 4-1/2"	1
2	T120-805-000	20711208001	LED light board	WWQJZ-LED01.PCB(V1.0)	1
3	T120-447-000	21704000219	Light board with bracket	W10×L530mm W#4.8	2
4	T120-448-000	22002013004	LED flexible light strip	DC12V 3528LED 60/m blue	2.2



No.	Part No.	Code No.	Name	Spec.	Qty
1	T120-433-000	22003000018	LED (12V) bulb	DC12V white 3LED	2
2	T120-434-000	22201000028	12V white light socket	indicator of coin mech	2
3	T120-435-000	22301000007	Coin mech	TW-800 II	2
4	T120-484-000	26000046002	New coin box funnel	Q235	
5	T120-480-000	26000018004	hook	Q235	1
6	T120-436-000	23100000005	Ticket dispenser	CL-022Q-270	1
7	T120-437-000	22003000075	Red light with socket	Φ3 red LED with socket	1
8	T120-438-000	23307000015	DVI-DVI video cable	DVI-DVI (2m)	1
9	T120-439-000	21201047001	47" LED monitor	LT47BN90	1
10	T120-440-000	22702000020	Exhaust fan	4' 110V	2
11	T120-441-000	22702000010	Exhaust fan net	4"	4



No.	Part No.	Code No.	Name	Spec.	Qty
1	T120-901-000	26000049001	DBV double coin mech door frame	Q235	1
2	T120-902-000	26000049003	DBV double coin mech door	metal	1
3	T120-903-000	26000049008	DBV cover	metal	1

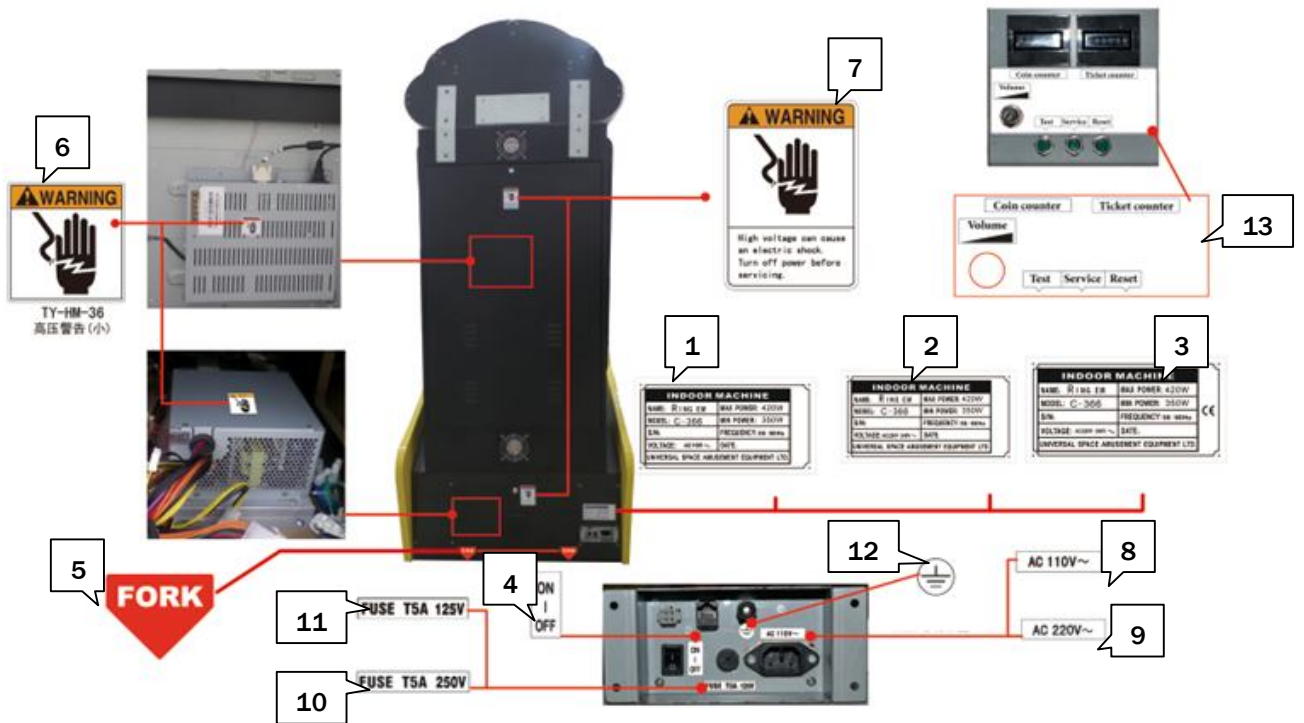
4	T120-904-000	26000049004	DBV double coin mech box door hinge	Q235	1
5	T120-905-000	26000049005	DBV double coin mech box door	Q235	1
6	T120-906-000	26000018001	door frame	Q235	1
7	T120-907-000	26000018002	ticket door	Q235	1
8	T120-908-000	26000018003	hinge	Q235	1
9	T120-909-000	26000049007	DBV double coin mech inner box	Q235	1
10	T120-910-000	26000049006	DBV double coin mech outer box	Q235	1
11	T120-911-000	26000049002	DBV double coin mech door hinge	Q235	1
12	T120-912-000	21712000001	ticket dispenser transfer board		1



### 8.3 Decals

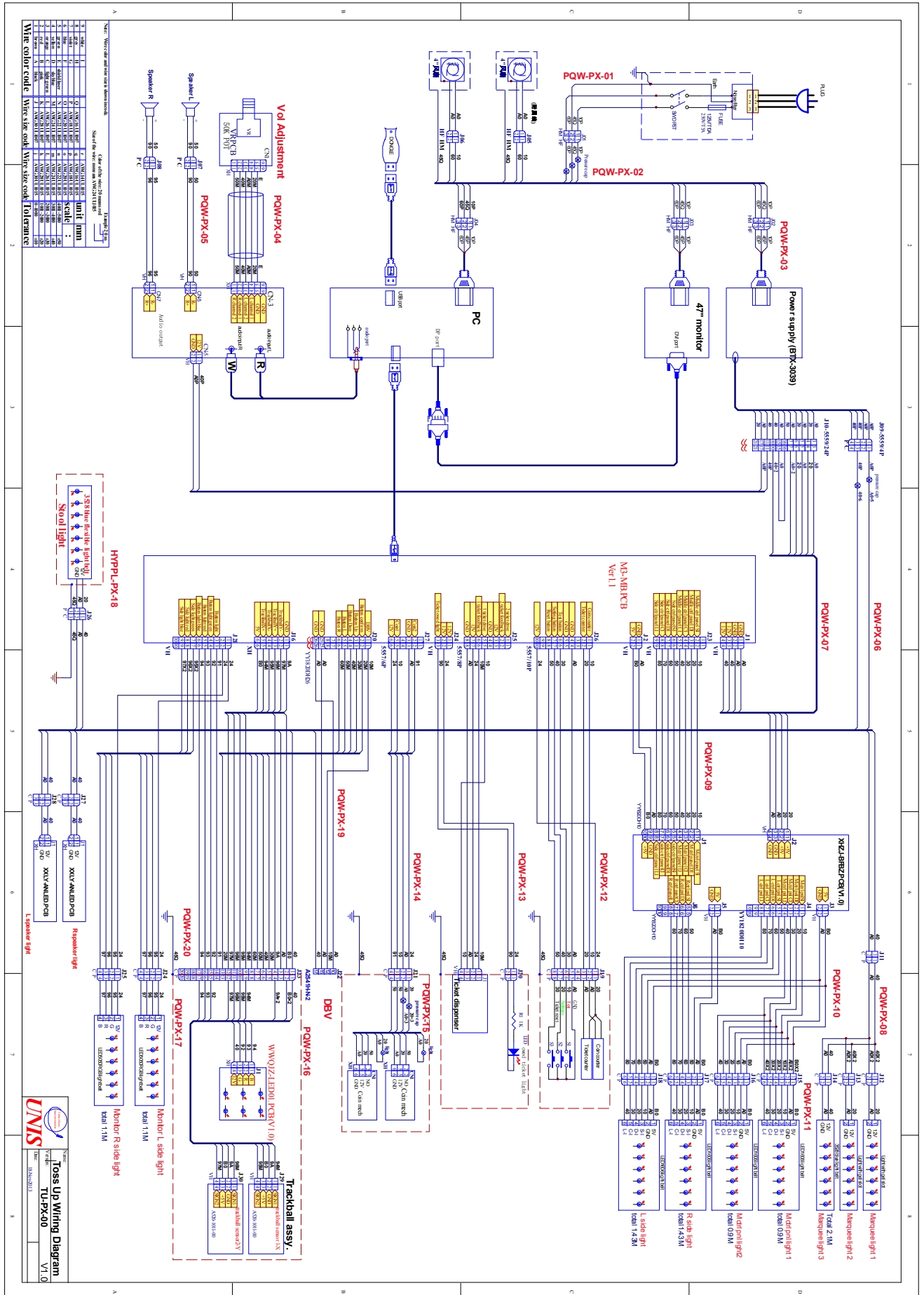


No.	Part No.	Code No.	Name	Spec.	Qty
1	T120-701-000	20541325001	Control panel decal	Transparent plastic	1
2	T120-702-000	20541325002	Speaker decal	Transparent plastic	1
3	T120-703-000	20541325003	Monitor decal	Transparent plastic	1
4	T120-704-000	20541325004	Marquee decal	Transparent plastic	1
5	T120-705-000	20541325005	Points converter decal	Transparent plastic	1
6	T120-706-000	20541325006	Points converter decal A	Transparent plastic	1
7	T120-707-000	20541325007	Points decal	Transparent sticker	1
8	T120-708-000	20541325008	L side decal	0.3PVC	1
9	T120-709-000	20541325009	R side decal	0.3PVC	1
10	T120-710-000	20541330011	Stool decal	Dull polish PVC	1
11	T120-711-000	25600000034	Ticket decal	PVC100u	1
12	T120-725-000	25600000023	coin mech decal B	δ 0.2 plastic	1



No.	Part No.	Code No.	Name	Spec.	Qty
1	T120-712-000	20541325010	Uncertificated 110V nameplate	1mmPVC	1
2	T120-713-000	20541325011	Uncertificated 220V nameplate	1mmPVC	1
3	T120-714-000	20541325012	Certificated 220V nameplate	1mmPVC	1
4	T120-715-000	25600000017	Switch decal	PVC100u	1
5	T120-716-000	25600000035	Fork decal	PVC100u	2
6	T120-717-000	25600000036	Small high voltage warning	PVC100u	2
7	T120-718-000	25600000037	Big high voltage warning	PVC100u	2
8	T120-719-000	25600000071	New voltage 110V	PVC100u	1
9	T120-720-000	25600000072	New voltage 220V	PVC100u	1
10	T120-721-000	25600000074	Fuse T5A/250V	PVC100u	1
11	T120-722-000	25600000080	Fuse T5A/125V	PVC100u	1
12	T120-723-000	25600000091	GND decal	PVC100u	1
13	T120-724-000	25600000100	Counter decal A	PVC100u	1





Stand by wire size and wire color



Wire size	Wire color	Wire size code	Wire size code
0.5	Red	05R	05R
0.5	Green	05G	05G
0.5	Blue	05B	05B
0.5	Black	05K	05K
0.5	White	05W	05W
0.5	Yellow	05Y	05Y
0.5	Purple	05P	05P
0.5	Brown	05BR	05BR
0.5	Pink	05PK	05PK
0.5	Grey	05GR	05GR
0.5	Orange	05OR	05OR
0.5	Light Blue	05LB	05LB
0.5	Light Green	05LG	05LG
0.5	Light Purple	05LP	05LP
0.5	Light Brown	05LBR	05LBR
0.5	Light Pink	05LPK	05LPK
0.5	Light Grey	05LGR	05LGR
0.5	Light Orange	05LOR	05LOR
0.5	Light Light Blue	05LLB	05LLB
0.5	Light Light Green	05LLG	05LLG
0.5	Light Light Purple	05LLP	05LLP
0.5	Light Light Brown	05LLBR	05LLBR
0.5	Light Light Pink	05LLPK	05LLPK
0.5	Light Light Grey	05LLGR	05LLGR
0.5	Light Light Orange	05LLOR	05LLOR
0.5	Light Light Light Blue	05LLL	05LLL
0.5	Light Light Light Green	05LLLG	05LLLG
0.5	Light Light Light Purple	05LLLP	05LLLP
0.5	Light Light Light Brown	05LLLBR	05LLLBR
0.5	Light Light Light Pink	05LLLPK	05LLLPK
0.5	Light Light Light Grey	05LLLGR	05LLLGR
0.5	Light Light Light Orange	05LLLOR	05LLLOR
0.5	Light Light Light Light Blue	05LLLL	05LLLL
0.5	Light Light Light Light Green	05LLLLG	05LLLLG
0.5	Light Light Light Light Purple	05LLLLP	05LLLLP
0.5	Light Light Light Light Brown	05LLLLBR	05LLLLBR
0.5	Light Light Light Light Pink	05LLLLPK	05LLLLPK
0.5	Light Light Light Light Grey	05LLLLGR	05LLLLGR
0.5	Light Light Light Light Orange	05LLLLOR	05LLLLOR

Loss Up Wiring Diagram  
TU-EP-400  
V1.0



Have Questions? Contact us!

[www.universal-space.com](http://www.universal-space.com)

 International Support Center	 USA Support Center
<p>Tel: +1-905-477-2823                      Fax: +1-905-477-2660                      Email: <a href="mailto:service@universal-space.com">service@universal-space.com</a>                      (Contact: Clement Yau)</p>	<p>Tel: 972-241-4263                      Fax: 214-919-4918                      Email: <a href="mailto:tsnelling@unisusupportcenter.com">tsnelling@unisusupportcenter.com</a>                      (Contact: Tim Snelling)</p>