

SUPER BIG RIG



Be Sure
to Read this
Manual
Before Use

Operation Manual



www.universal-space.com

CONTENT

IMPORTANT SAFETY INSTRUCTIONS.....	2
1. SPECIFICATIONS	4
2. PACKAGE CONTENTS.....	5
3. PART NAME.....	6
4. SET UP & INSTALLATION.....	7
5. HOW TO PLAY	10
6. GAME OPTION	15
7. ERROR MESSAGE AND RECOVERY	19
8. MAINTENANCE & INSPECTION	21
9. OVERALL CONSTRUCTION	22
Wiring Diagram	39

Non-technical personnel who do not have technical knowledge and Expertise should refrain from performing such work that this manual require or perform tasks which are not explained in this manual. Failing to comply can cause severe accidents such as electric shock or other serious injuries. All repairs must be performed to original manufacturer specifications.

WARNING: To reduce the risk of fire, electric shock or personal injury, unplug or disconnect the machine from the power supply before servicing.

Thank you for purchasing **Super big rig**. We hope you enjoy the product.

This manual contains valuable information about how to operate and maintain your game machine properly and safely. It is intended for the owner and/or personnel in charge of product operation. Carefully read and understand the instructions.

If you need any help during installation and setup please utilize this manual and troubleshooting guide. If the product fails to function properly, *non-technical personnel should under no circumstance attempt to service the machine*. Contact your distributor or manufacturer for help.

Before use, please read **IMPORTANT SAFETY INSTRUCTIONS**.

IMPORTANT SAFETY INSTRUCTIONS

To ensure the safe usage of this product, carefully read and understand these instructions before operating your game.

Save these instructions for future reference.

Use this product only as described in this manual. Other uses not recommended may cause fire, electric shock or personal injury. Unplug the game from the outlet when not in use, when moving from one location to another, and before cleaning/servicing.

Explanations which require special attention are indicated by signs of warning. Depending on the potential hazardous degree, the terms: **NOTE**, **NOTICE**, and **WARNING** are used.

NOTE: A NOTE indicates useful hints or information about product usage.

NOTICE: A NOTICE indicates potential damage to product and how to avoid the problem.

WARNING: A WARNING indicates a potential for product damage or serious personal injury.

It is important to understand the meaning of the following HAZARD SIGNS before continuing:

High Voltage and Shock Hazard:

High voltage can cause electric shock.
Turn off/unplug power before servicing.



High Temperature Hazard:

This part may cause scalding.
Do not touch. Surface may be hot.



No Touching Hazard:

This part may be hot or can cause electric shock.
Do not touch.



Use the following safety guidelines to help ensure your own personal safety and to help protect your equipment and surrounding environment from potential damage.



This product is an indoor game machine. Do not install outdoors.

Avoid installing in the following places to prevent fire, electric shock, injury and/or machine malfunctioning:

- Places subject to rain/moisture, or places subject to high humidity.
- Places subject to direct sunlight, or places subject to extremely hot or cold temperatures to ensure that it is used within the specified operating range.
- Places where inflammable gas may be present or in the vicinity of highly inflammable/volatile chemicals or items that can easily catch fire
- On unstable or sloped surfaces. The machine may topple or cause unforeseen accidents.
- Vicinity of fire exits, fire extinguishers etc that may block/prevent safety measures

IMPORTANT NOTE:

ALL REPAIRS MUST BE DONE TO ORIGINAL MANUFACTURER SPECIFICATIONS. FAILURE TO DO SO VOID ALL WARRANTIES AND OPERATOR ASSUMES ALL RISKS.

Note: The contents of this manual may be updated without notice.

1. SPECIFICATIONS


Rated power supply: AC110V 50/60Hz

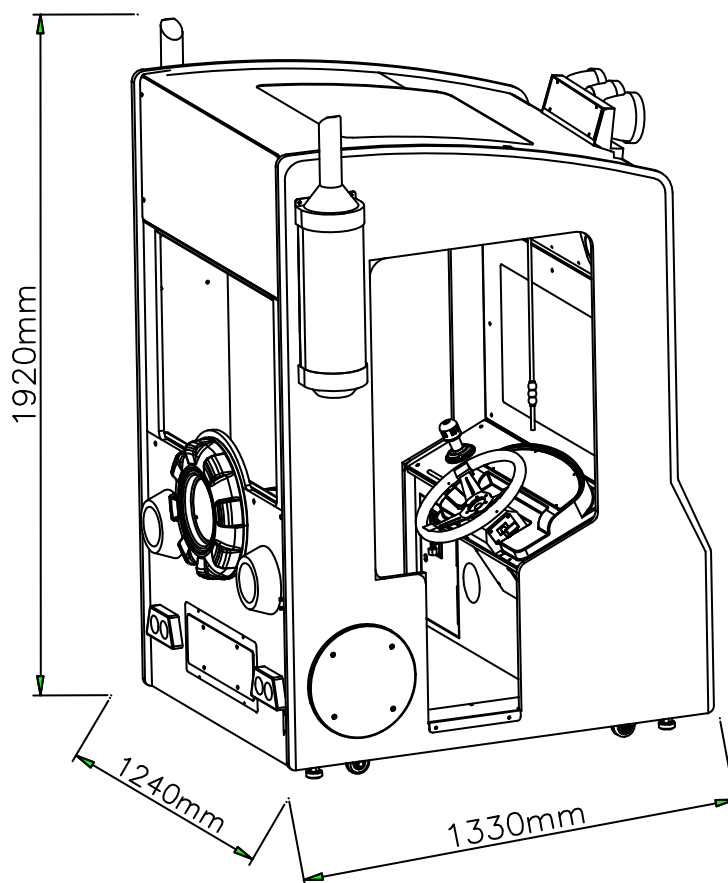
Min. Power consumption: 170W

Max. Power consumption: 260W


Dimensions: W1240×D1330×H1920 (mm)

Weight: Approximately 280kg

 **NOTICE:** After turning off the game, please wait at least 1 minute before restarting again.







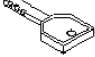

Note: Game parameters are subject to change without notice.

 **NOTICE:** After turning off the game, please wait at least 1 minute before restarting again.

2. PACKAGE CONTENTS

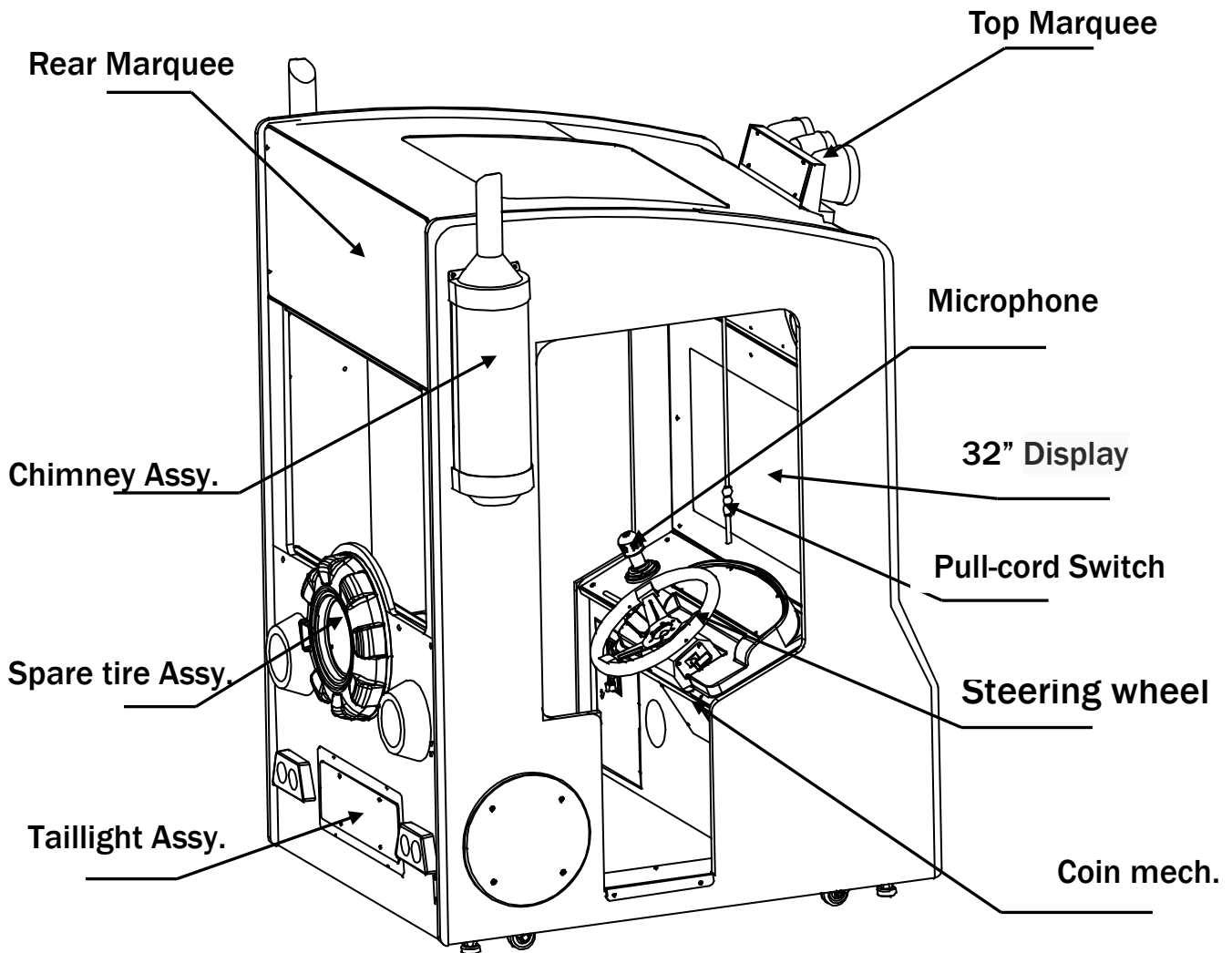
Open the package and make sure all the items are included:

1. 1 x Body Assembly
2. Following accessories

No.	Part No.	Code	Name	Spec.	Qty	Picture
1	S127-443-000	23301000001	Power cord	10A/250V 1.8M	1	
2	S127-417-000	21901000012	Fuse	Φ5×20mm T10A 250VAC	1	
3	S127-801-000	41440000077	Manual	ENGLISH	1	
4	S127-452-000	25300171002	Key	171A	2	
5	S127-454-000	25300172002	Key	171B	1	
6	S127-465-001	40607000001	L-type hex wrench	CR-4mm	1	

NOTE: Part models are subject to change without notice.

3. PART NAME



4. SET UP & INSTALLATION

 **This product is an indoor game machine. Do not install outdoors.**

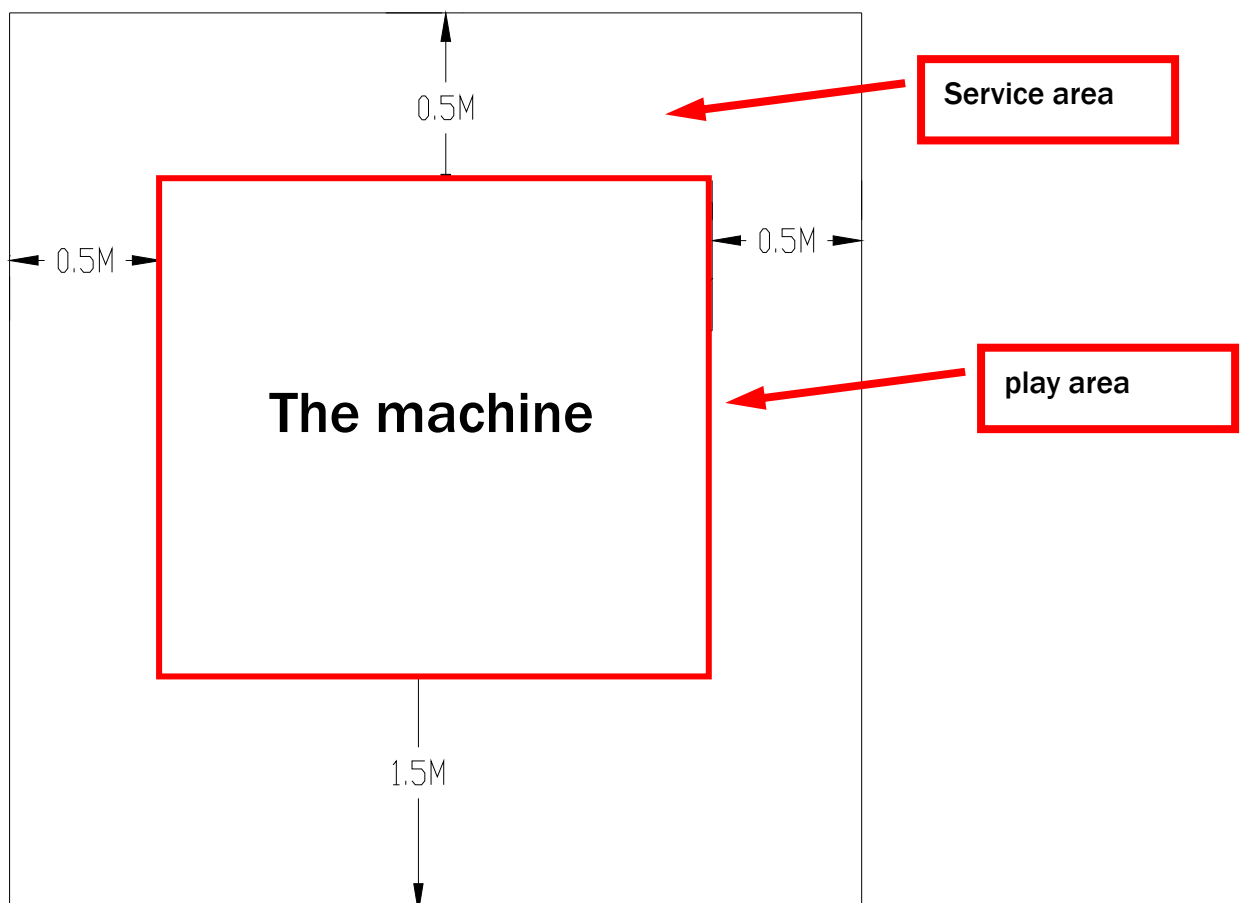
- Refer to IMPORTANT SAFETY INSTRUCTIONS (Pg. 2) for places to avoid
- Place the unit on a dry level surface
- Ventilation openings in the back of the unit must not be obstructed by objects or by wall.

4.1 Play Zone

This machine requires space for playing and for maintenance as shown below.

Leave space around the game upon installation:

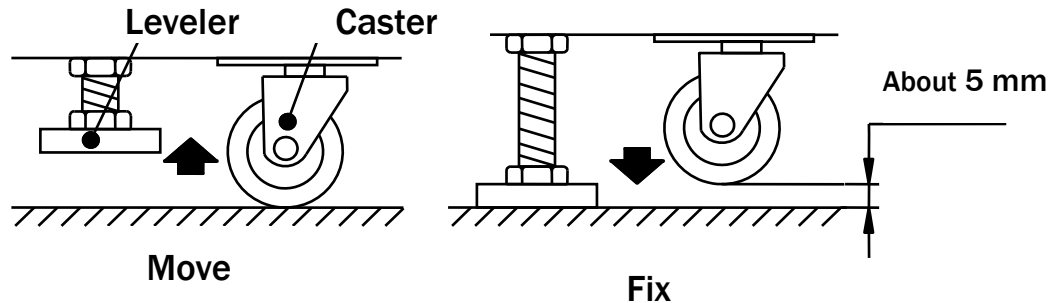
Service area: 500mm



4.2 Level Adjustment

Install this machine on a flat surface. Adjust levers to lift casters off the ground to level the game. If the game is installed on an unsuitable floor, it could cause game malfunction.

To secure the game, adjust the Leveler down until it touches the floor, lifting the casters off the ground by 5mm. Repeat the same for all levelers.

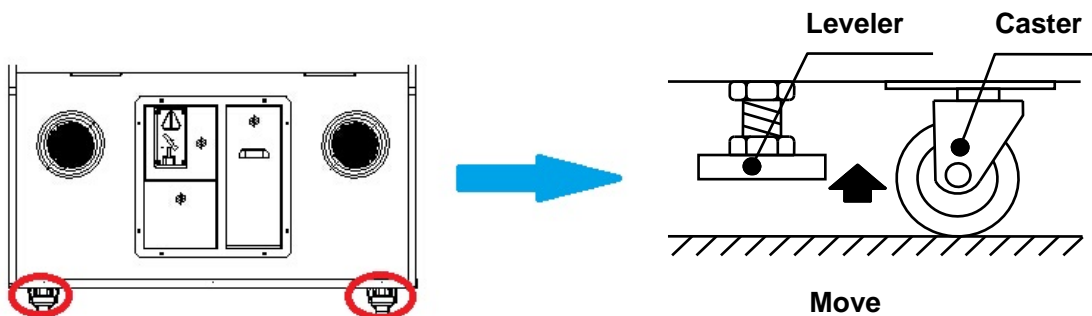


NOTICE

Make sure the machine is level with the ground and all the adjustable legs should stick to the floor closely.

4.3 Transporting the Game

If you need to move the game, adjust the levelers back to an “up” position so the casters touch the ground.



NOTICE

- Be careful not to damage the machine during transport.
- The machine should be handled with care when bringing it down from a higher level.
- Always unplug the game before moving.
- Keep the machine in upright position during transport.
- For longer distance transport, package the game properly to prevent damages.

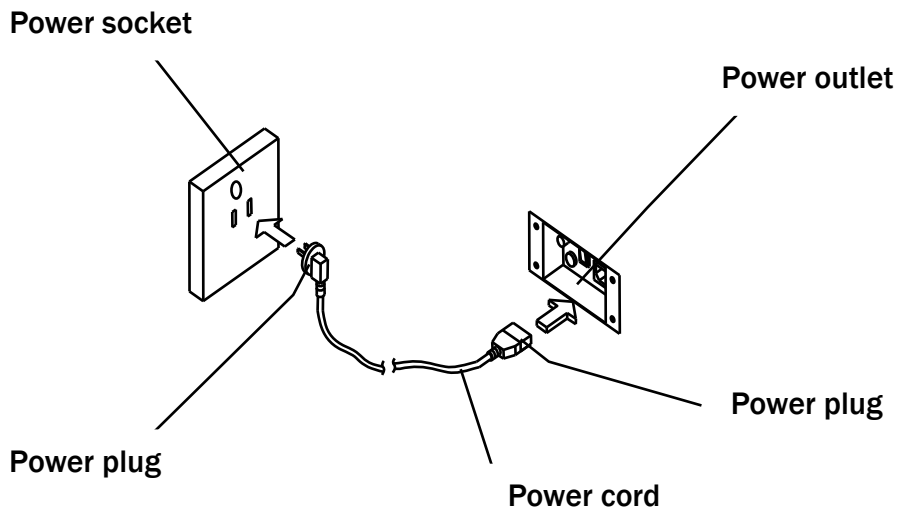
4.4 Connecting Power



WARNING: Check the voltage rating before you connect the equipment to

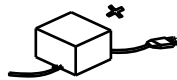
an electrical outlet to ensure that the required voltage and frequency match the available power source. Please refer the label of the machine.

- Do not plug the equipment power cables into an electrical outlet if the power cable is damaged.
- Avoid putting many loads on one electrical outlet as it could generate heat and fire resulting from overload.
- Connect the grounding conductor to the earth terminal (GND):

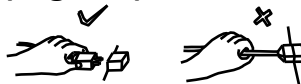


WARNING

Ensure no heavy objects rest on the power cord. Check to make sure the game cabinet does not sit on the power cord as this could damage the cord and become hazardous.



To disconnect the game, grip the plug and pull it from the wall outlet. Never pull by the cord.



To prevent electric shock, do not touch the power plug when hand is wet.



Ensure that nothing rests on the power cord and that it is not located where it can be stepped on or tripped over.



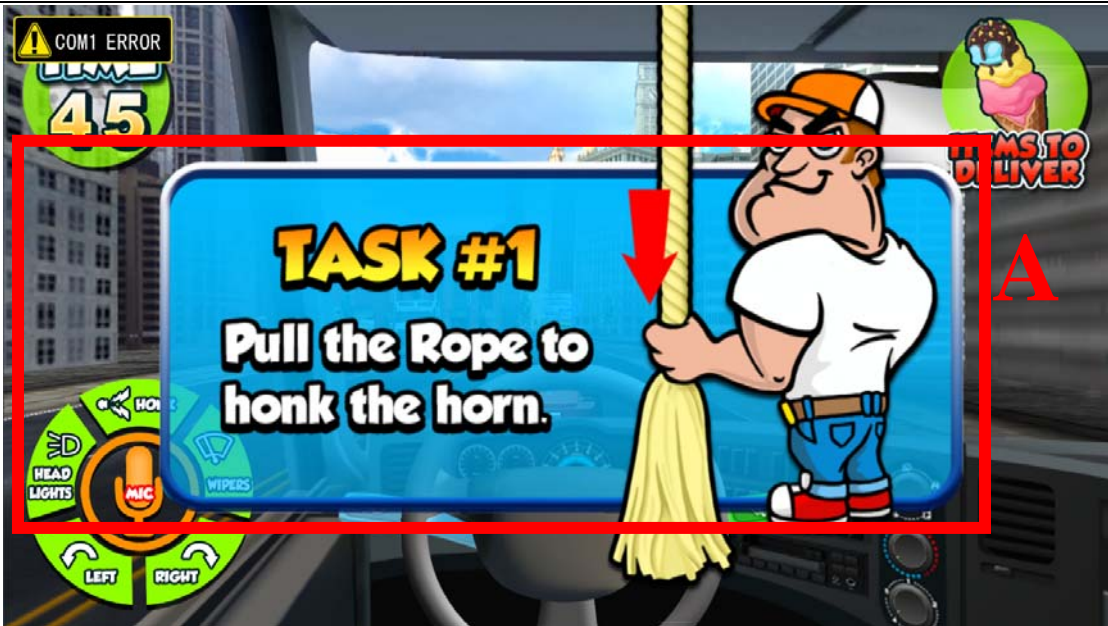
5. HOW TO PLAY

5.1 Game interface

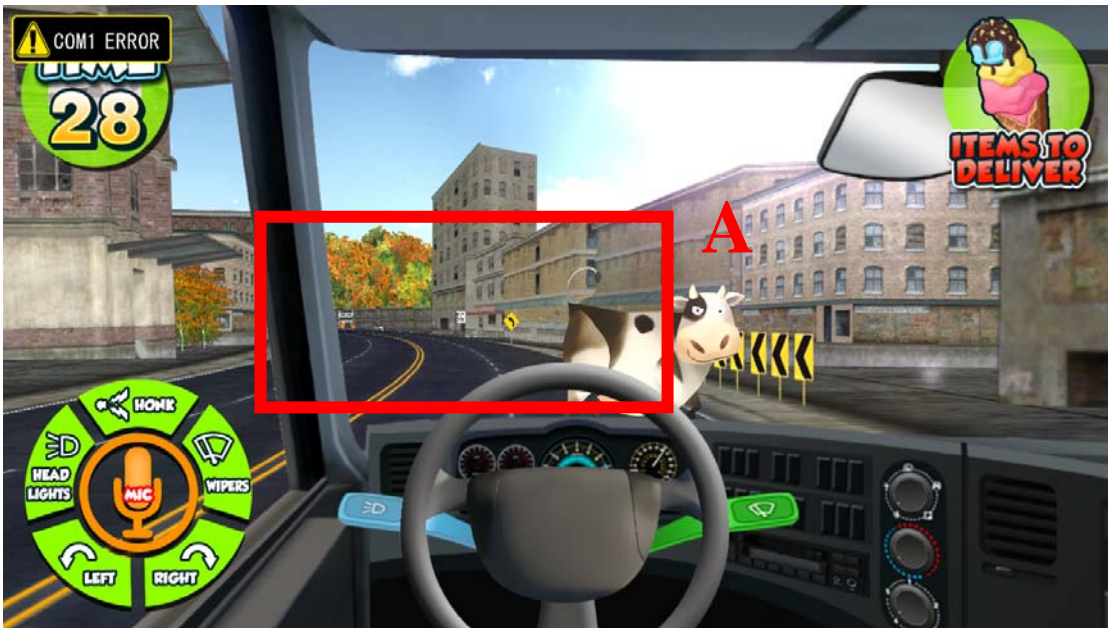


A: Items to Deliver and game time.

B: Game start.

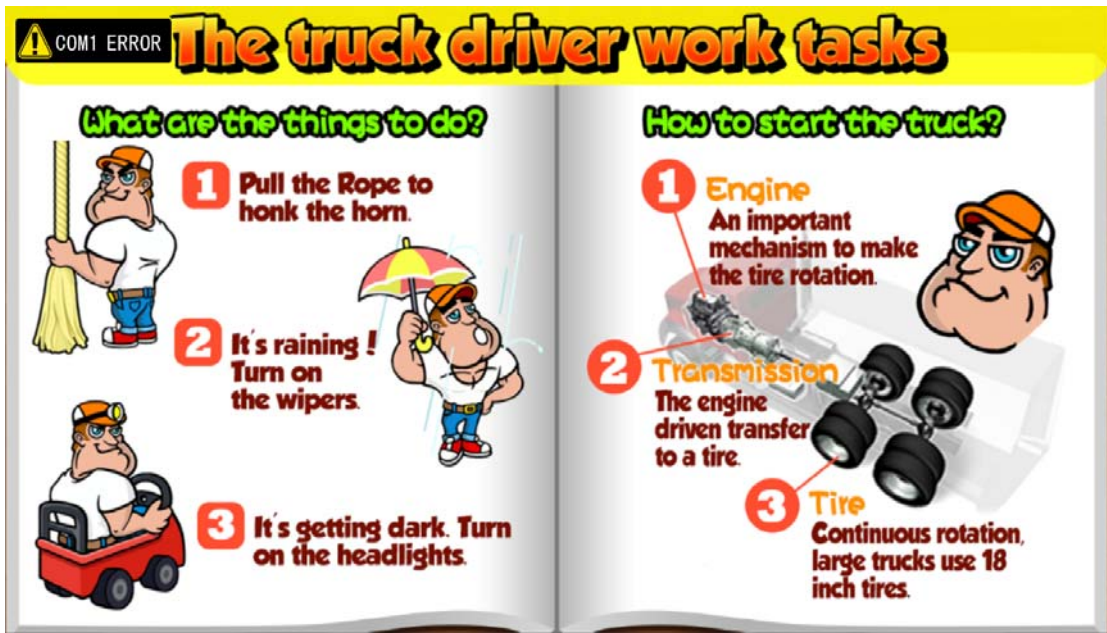


A: There will be different tasks in the game.



A: There will be different tasks in the game.

5.2 Game Introduction:



Announcement of the results



5.2 Task Setting.

Set three tasks in the game.



5.3. Scene setting

There are two scenes in the game.



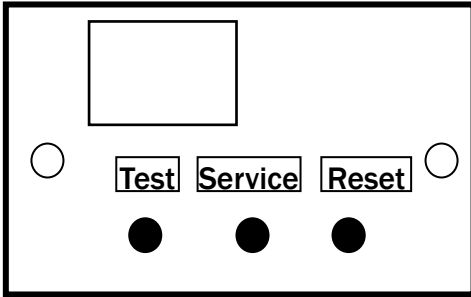
Scenes 1



Scenes 2

6. GAME OPTION

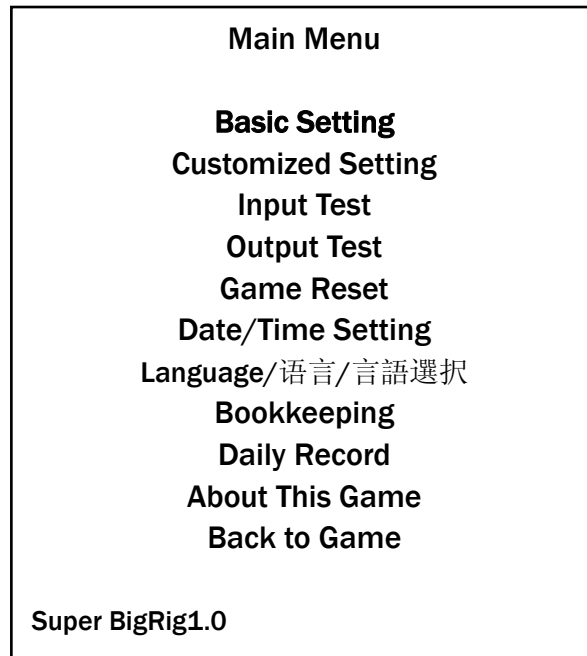
6.1 Adjustment button instruction



Open the coin door there is a meter panel. Press service button to get into the setting menu.

6.2 Setting menu

6.2.1 Main Menu



6.2.2 Basic Setting

Free Play	OFF
Tickets Out	ON
Demo Music	OFF
Memory Save	ON
Volume	10
Game Time	60
Coins Per Game	1
Out of Tickets	Store in memory
Back&Save	
Back	
Super BigRig1.0	

6.2.3 Customized Setting

Customized Setting	
Fixed Ticket	0
Two Tickets Equal One	OFF
The Best Truck Driver	5
An Excellent Truck Driver	4
A Great Driver	3
A Good Driver	2
Back&Save	
Back	
Super BigRig1.0	

6.2.4 Input Test and Output Test

Input Test	
Coin	OFF
Horn Button	OFF
Wippers Button	OFF
Headlights Button	OFF
Microphone	OFF
Start Button	OFF
Steering Wheel	OFF
Back	
Super BigRig1.0	

Output Test	
Voice Control Button	
Start Button	
Ticket Driver	
Motor1	
Motor2	
Motor3	
Meter D	
Meter R	
Super BigRig1.0	

6.2.5 Game Reset

Game Reset	
Factory Restore	
Reset Game Mode Settings	
Clear all records	
Clear unused coin	
lear Owed Ticket	
Clear Unused Coin	
Back	
Super BigRig1.0	

6.2.6 Date/Time Setting

Date/Time Setting	
Year	2014
Month	9
Day	24
Hour(24)	22
Minute	26
Second	0
Back&Save	
Back	
Super BigRig1.0	

6.2.7 Bookkeeping

Bookkeeping				
Player	Coins	Tickets	Payout	
1	0	0	0	
2	0	0	0	
Sum	0	0	0	
NON RESETTABLL POINTS				
NON RESETTABLE TICKETS				
Back				
Super BigRig1.0				

6.2.9 Daily Record

Daily Record					
Date	Weekday	RunTime	Coins	Tickets	Payout
Clear					
Back					
Super BigRig1.0					

6.2.10 About this game

	About This Game	Press Setting Button to Back
CPU	Intel(R)Core(TM)i5-3450CPU@3.10GHz	
MainBoard		MSI
HDD	ST500DM002-1BD142 ATA Device 465GB	
RAM		3553MB
Monitor	LT32BM20(L)	
Screen		1360X768
Version	Super BigRig1.0	
Super BigRig1.0		

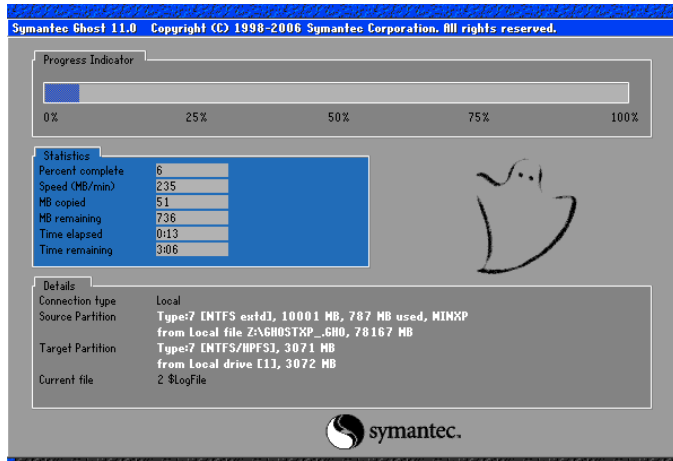
7. ERROR MESSAGE AND RECOVERY

7.1 Trouble Shootings

- Please confirm whether every connector connected tightly.

Troubles	Cause	Methods
Cannot start	Frame assembly connector fall off	Please plug in connector tightly
	Frame assembly fault	Please contact with dealer
Power cutting	Circuit protector make power SW in cutting state	Please turn on power SW again. If appeared again and again, machine has anomaly. Please contact with dealer
Coin mech. no reaction	Coin mech. fault	Change coin mech.
	Coin mech. signal cable loosen	Check coin mech. signal line loosen or not
	IO control board fault	Change IO board
Speaker no sound	Volume set too low	Please raise the volume
	Connector falls off	Please plug in connector tightly
	PCB fault	Please change PCB
	Speaker fault	Please change speaker
Monitor black screen	Connector falls off	Please plug in connector tightly
	Monitor fault	Please change monitor
Monitor blue screen	PC power cord is loose	Check PC power cord whether is loose.
	VGA signal cable is loose.	Check VGA signal whether is loose.
	PC video card is loose.	Plug video card again.
	PC into protection	Open front cover, if power on light flash all the time. Press power button 30s, then restart. If no work, please call Lenovo: 8008108888
Playing normal, but appear system halted	Video card is loose or poor contact	Plug video card again
	PC crash	Restart or system recovery
Start button no reaction	Connector falls off	Please plug in connector tightly
	Button breakdown	Please change star button
	Thumb reverse	Gun calibrate reverse

7.2 System Recovery Operation



1. Turn off the game. Insert the memory stick into the USB port at the back of the computer.

2. Restart PC to enter the system recovery screen as shown.

3. The game will automatically start recovery which will last about 5 minutes.

Please wait until process is complete.
Please wait until process is complete.



4. Once system recovery is finished (as shown on the left), remove the USB flash drive from the computer and turn off the PC. Wait at least 30 seconds before restarting the PC.



WARNING: the USB flash drive should only be used to fix software errors. Using it for other purposes may cause unexpected results and damages.

8. MAINTENANCE & INSPECTION

8.1 Safety Check

Check the points listed before operating the machine. These checks are necessary for safe machine operation:

1. Try to run the game before operation each day.
2. Conduct monthly routine checks of game components ensure good working condition
3. Check the machine regularly for dust and clean when necessary.

Note: Parts and components require preventative maintenance to be kept running smoothly

8.2 Handling Precautions

When installing or inspecting the machine, be very careful of the following points and pay attention to ensure that the player can enjoy the game safely.

Non-compliance with the following points or inappropriate handling running counter to the cautionary matters herein stated can cause personal injury or damage to the machine

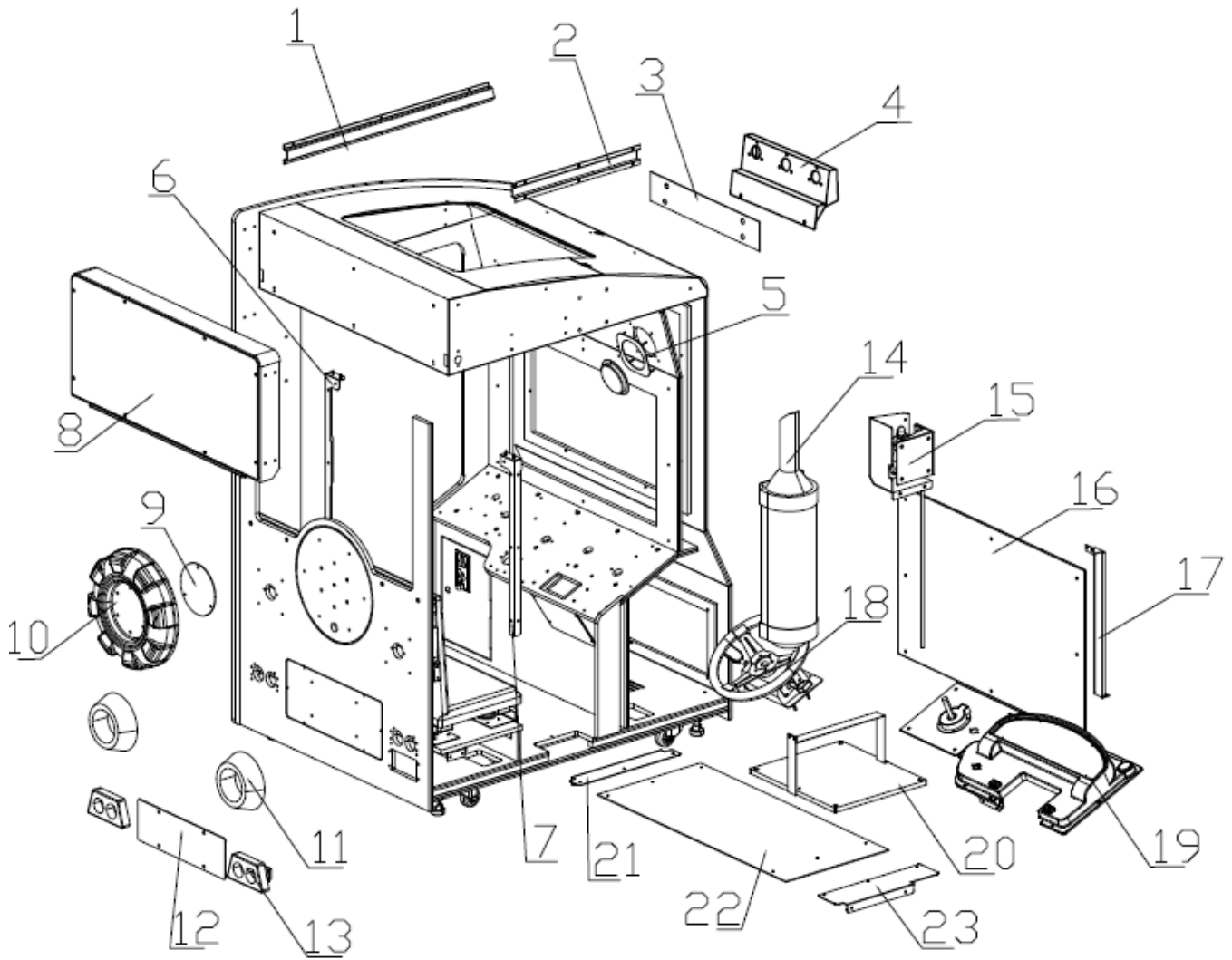


WARNING

- Before servicing the machine, be sure the power is off. If servicing without turning the power off can cause electric shock or short circuit.
- To avoid electric shock or short circuit, do not plug then unplug the power quickly
- Do not expose power cords and earth wires, these are susceptible to damage.
- Damaged cords and wires can cause electric shock or short circuit and should be replaced immediately.
- When or after installing the product, avoid pulling the power cord to prevent unnecessary wear and tear. Use the power button to disconnect power.
- In case the power cord is damaged, ask for replacement through where the product was purchased from or replace locally. Continued usage of damaged cord can cause fire, electric shock or leakage.
- Perform grounding appropriately. Inappropriate grounding can cause electric shock.
- Use fuses that meet specified rating. Fuses exceeding can cause an electric shock.
- Should a problem occur, turn off the power immediately and stop operating the machine. Unplug the power cord of the service outlet. Operating the machine without correcting the problem may cause a fire or injuries.
- Insert the power plug securely into the outlet. Poor contact may cause overheating, resulting in fire or burns.
- To ensure the warning labels attached on the machine are visible and legible, install the machine in a well-lit location, and keep the labels clean at all times. Make sure the labels are not hidden behind other game machines.

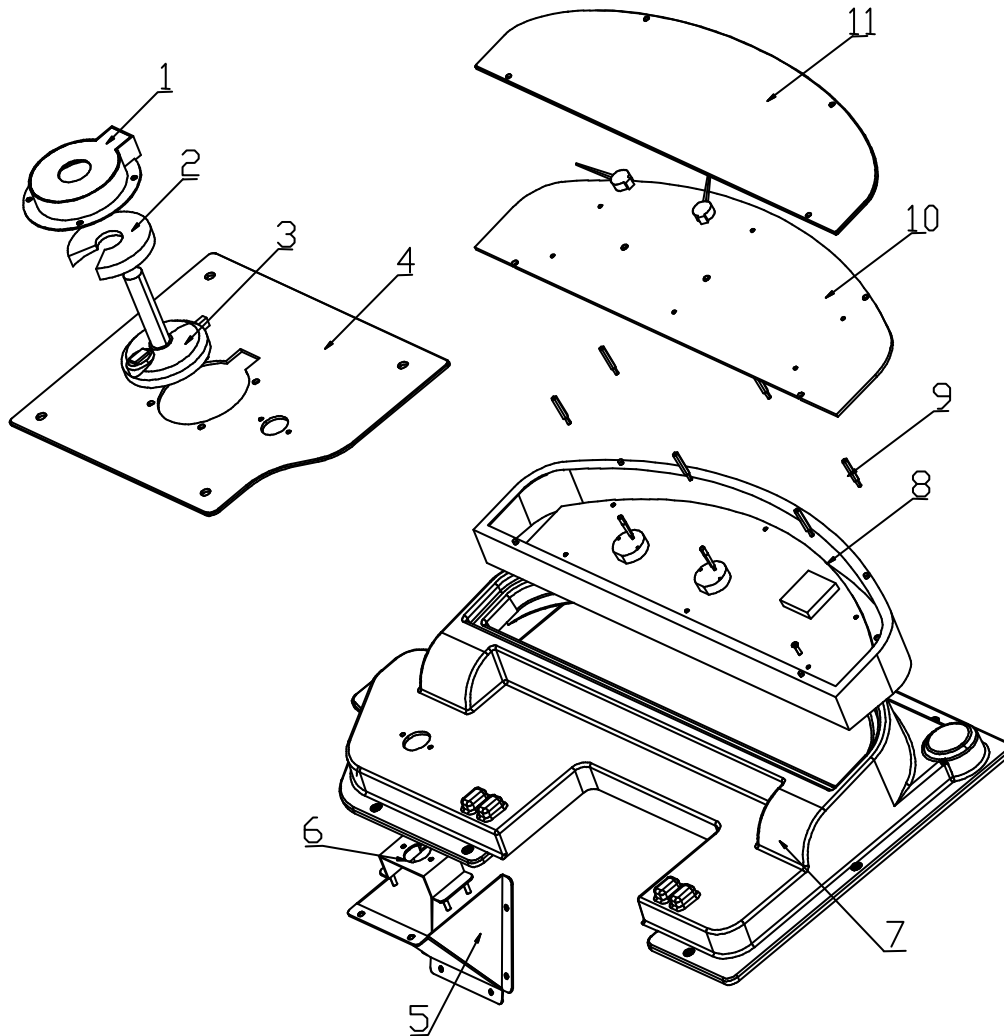
9. OVERALL CONSTRUCTION

9.1 General Part 1



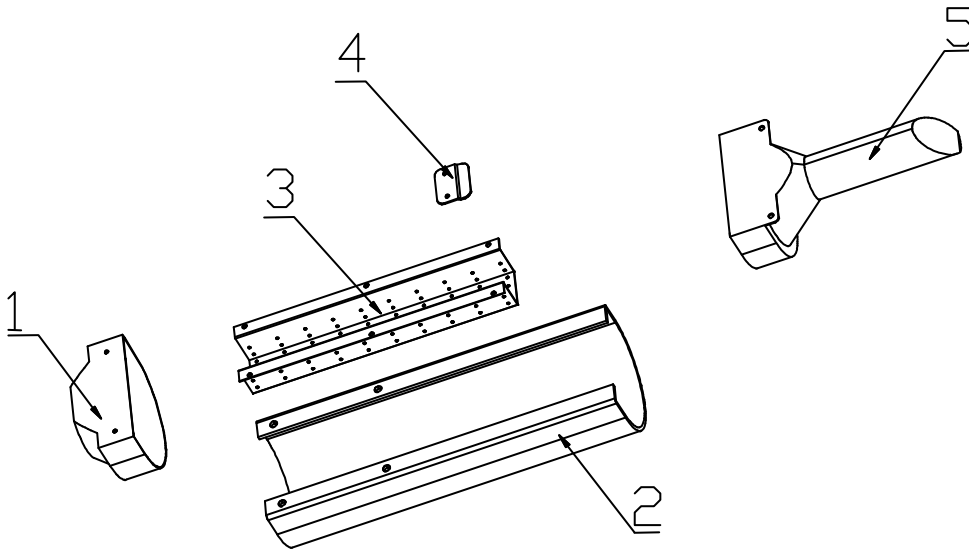
No.	Part No.	Code	Name	Spec.	Qty
1	S127-105-000	20251408004	Long line slot	Q235	1
2	S127-104-000	20251408003	Short line slot	Q235	1
3	S127-155-000	20251408054	Toplight bracket cover	Q235	1
4	S127-154-000	20251408053	Toplight bracket	Q235	1
5	S127-106-000	20251408005	Speaker net cover	Q235	
6	S127-231-000	20251408001	Back upper left strengthen sheet metal	Q235	1
7	S127-103-000	20251408002	Back upper right strengthen sheet metal	Q235	1
8	S127-143-000	20251408042	Sheet metal frame	δ1.5 Red	1
	S127-144-000	20251408043	Back Marquee plastic plate	δ1.5 Red	1
9	S127-157-000	20251408056	Spare tire sheet metal	Q235	1
10	S127-719-000	20551408009	Wheel cover B	Clear plastic	1
11	S127-197-000	20651401A014	Double rear lamp shade	ABS	2
12	S127-232-000	23001000001	License plate frame	Aluminum alloy	1
13	S127-198-000	20651401A017	Exhaust pipe	ABS	2
14	S127-124-000	20251408023	Chimney pipe fixed plate	δ1.5 Black	2
15	S127-131-000	20251408030	Rope pulley frame	δ3 Black	1
16	S127-715-000	20551408001	Display plastic	Clear plastic	1
17	S127-119-000	20251408018	Display bracket	Q235	2
18	S127-137-000	20251408036	Steering wheel bottom sheet metal cover	δ1.5 Black	1
	S127-138-000	20251408037	Steering wheel bottom sheet metal	δ2 Black	1
19	S127-219-000	20651408021	Control panel plastic	δ3	1
20	S127-527-000	20351408A001	PC bed plate	δ15	1
21	S127-191-000	20251408092	Left pedal	Steel	1
22	S127-221-000	20651408023	Rubber pedal pad	Rubber	1
23	S127-192-000	20251408093	Right pedal	Steel	1

9.2 Control panel plastic



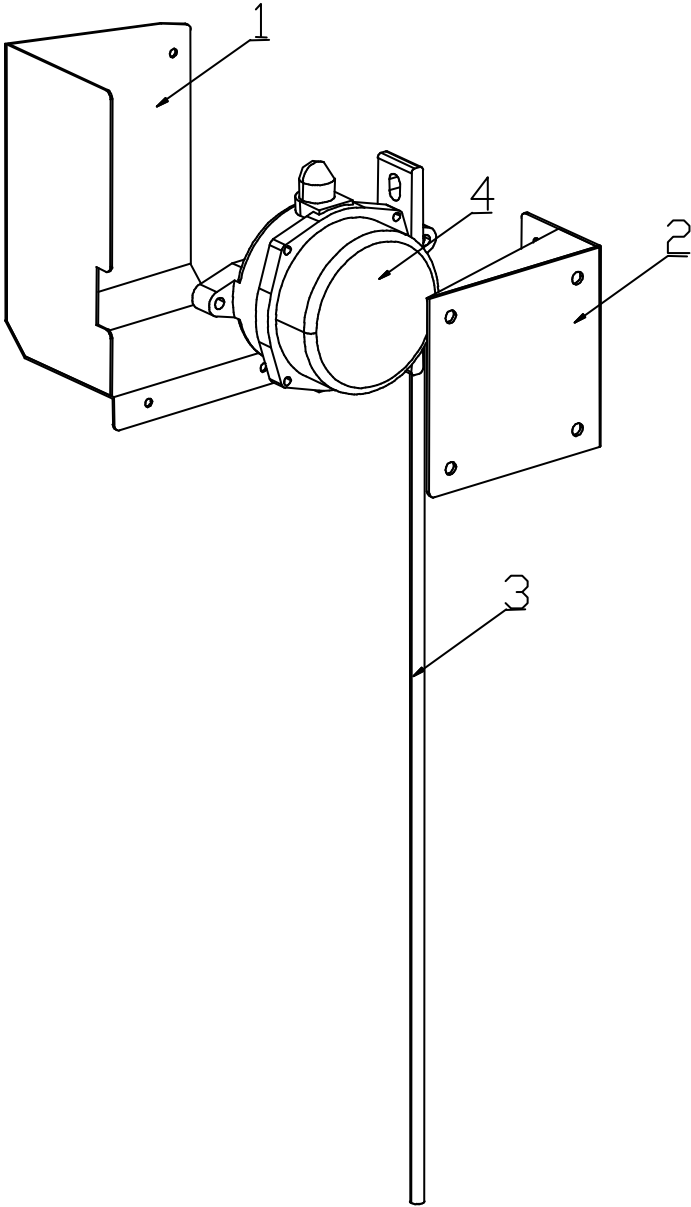
No.	Part No.	Code	Name	Spec.	Qty
1	S127-440-000	22804000008	Microphone	Microphone 181	1
2	S127-210-000	20651408012	Microphone fixed glue	PU	1
3	S127-189-000	20251408090	Microphone seat	Aluminum alloy	1
4	S127-713-000	20551408002	Microphone plastic decal	Clear plastic	1
5	S127-121-000	20251408020	Start button baffle	Q235	
6	S127-122-000	20251408021	SW button fixed plate	Q235	1
7	S127-219-000	20651408021	Control panel plastic	Red ABS	1
8	S127-123-000	20251408022	Control wire box	Q235	1
9	S127-187-000	20251408088	Hexagonal nut column	Brass	1
10	S127-714-000	20551408003	Pointer plate decal	Clear plastic	1
11	S127-220-000	20651408022	Meter plastic	Clear plastic	1

9.3 Chimney Assy.



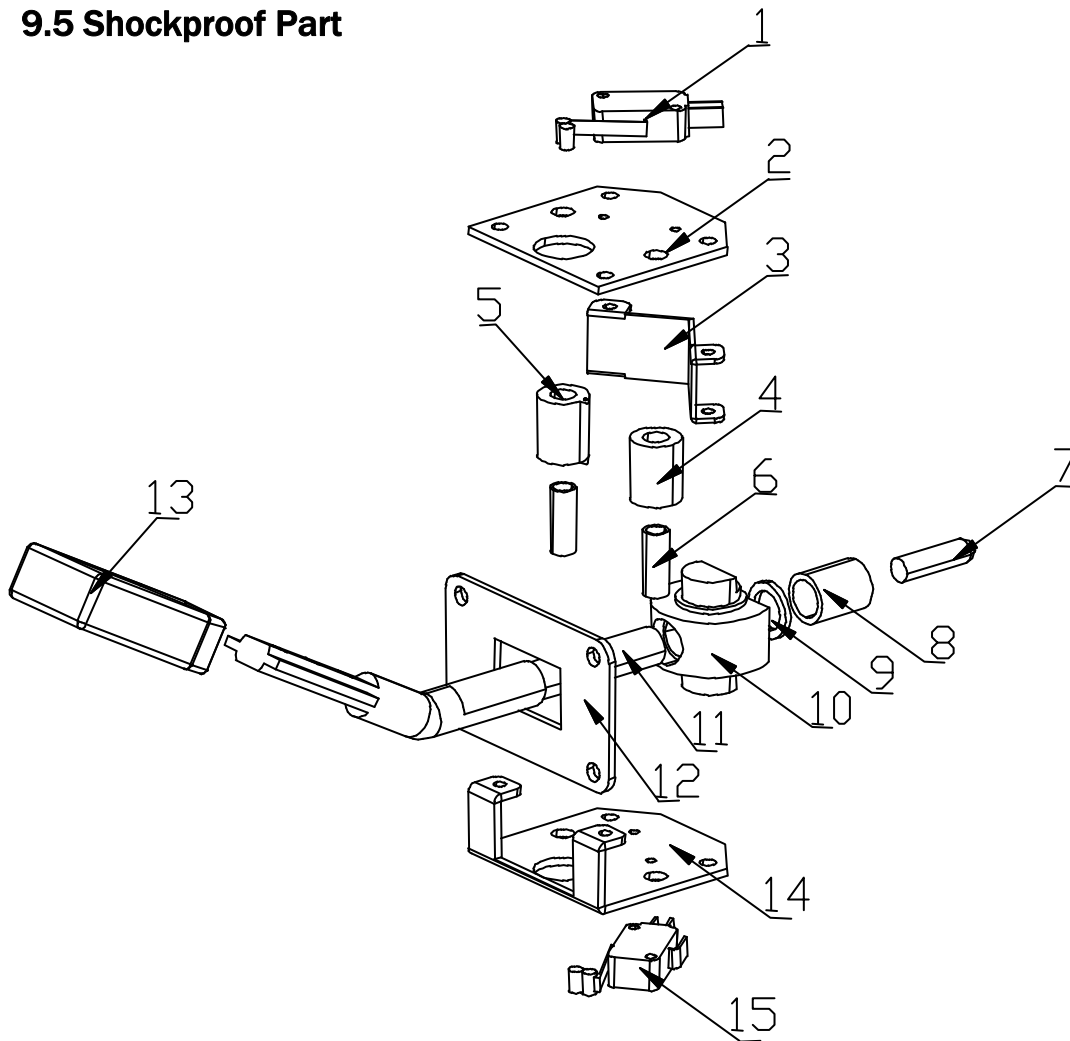
No.	Part No.	Code	Name	Spec.	Qty
1	S127-203-000	20651408005	Chimney bottom	ABS Chrome	1
2	S127-714-000	20551408004	Chimney cover decal	Clear plastic	1
3	S127-171-000	20251408070	Light fixed plate	SECC	1
4	S127-170-000	20251408069	chimney pipe buckle	SECC	1
5	S127-202-000	20651408004	Top chimney pipe	ABS Chrome	1

9.4 Pull-cord Switch Assy.



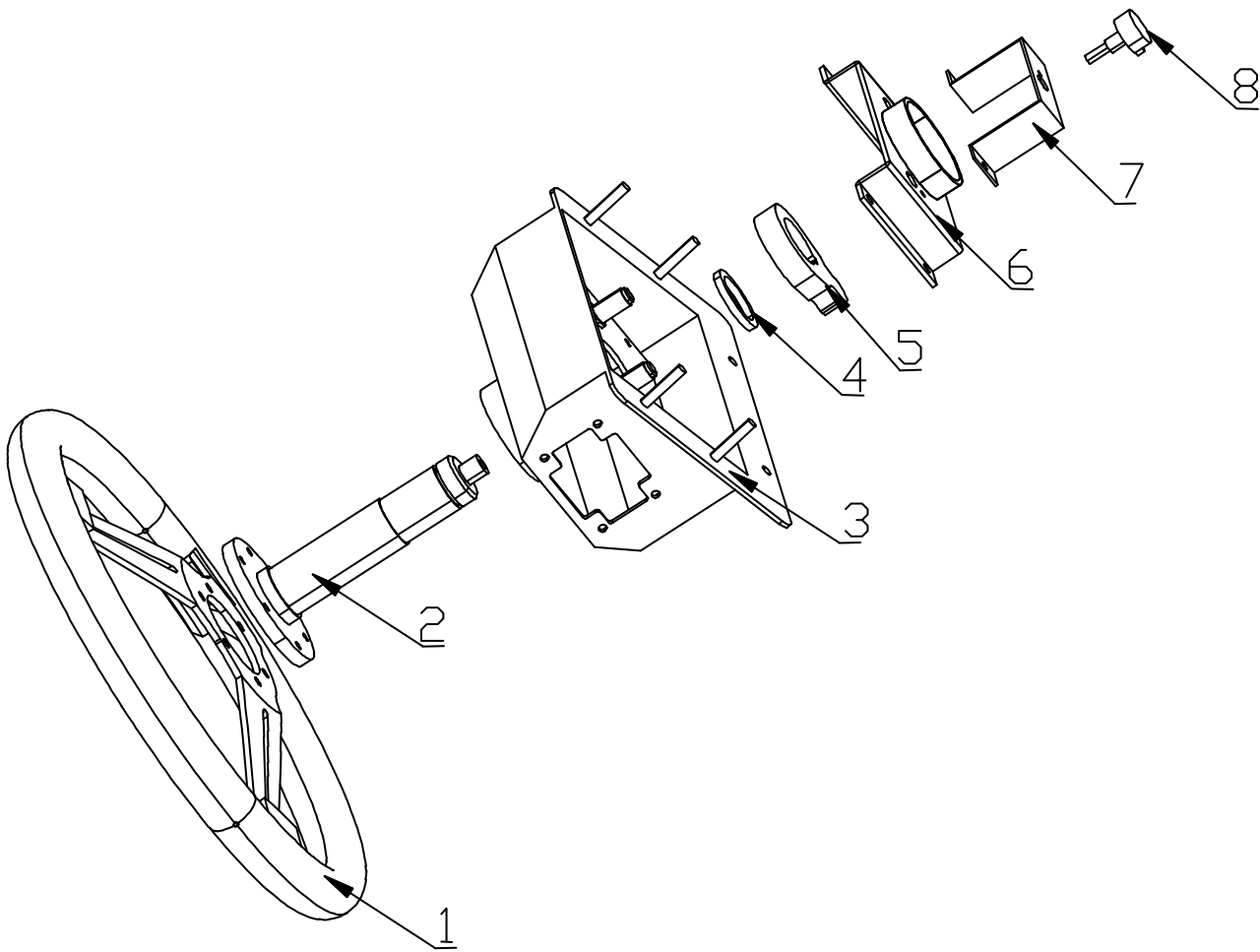
No.	Part No.	Code	Name	Spec.	Qty
1	S127-129-000	20251408028	Pull-cord SW cover	Q235	1
2	S127-130-000	20251408029	Pull-cord SW fixed plate	Q235	1
3	S127-188-000	20251408089	Tassel rope	yellow	1
4	S127-436-000	22606040001	Dual-direction pull-cord SW	FHKT2	1

9.5 Shockproof Part



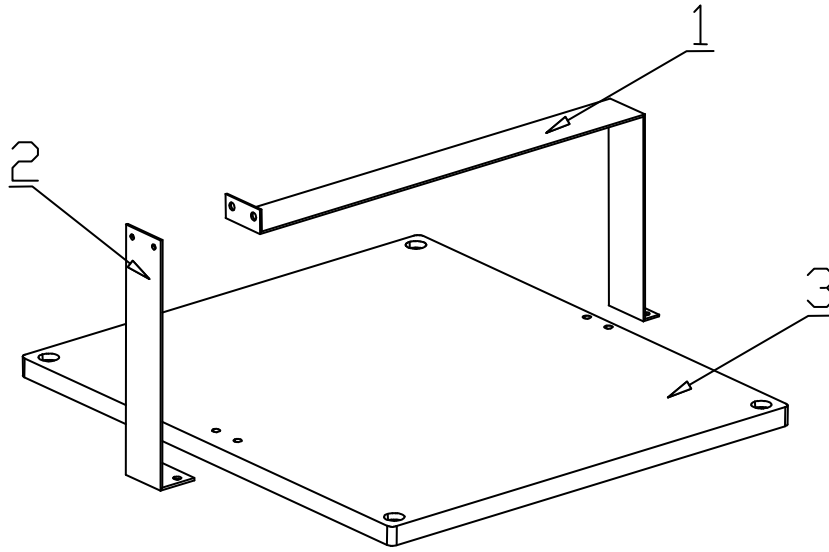
No.	Part No.	Code	Name	Spec.	Qty
1	S127-435-000	22604000007	Micro SW	Green	1
2	S127-134-000	20251408033	Reset SW cover plate	Q235	1
3	S127-132-000	20251408031	Point angle	Q235	1
4	S127-212-000	20651408014	Reset SW limit set 1	PU	1
5	S127-135-000	20251408034	Reset SW limit set 2	PU	1
6	S127-136-000	20251408035	Sheet metal case	PVC	2
7	S127-184-000	20251408085	Sliding column	Black	1
8	S127-211-000	20651408013	Lever sleeve	PU	1
9	S127-160-000	20251408059	Washer	White	4
10	S127-185-000	20251408086	Shaft	Black	1
11	S127-366-000	20107020001	Hollow pin	65Mn	1
12	S127-133-000	20251408032	Reset SW chassis plate	Q235	1
13	S127-179-000	20251408080	Handle suite 1	Assy.	1
14	S127-133-000	20251408032	Reset SW chassis plate	Q235	1
15	S127-435-000	22604000007	Micro SW	Green	1

9.6 Steering wheel Assy.



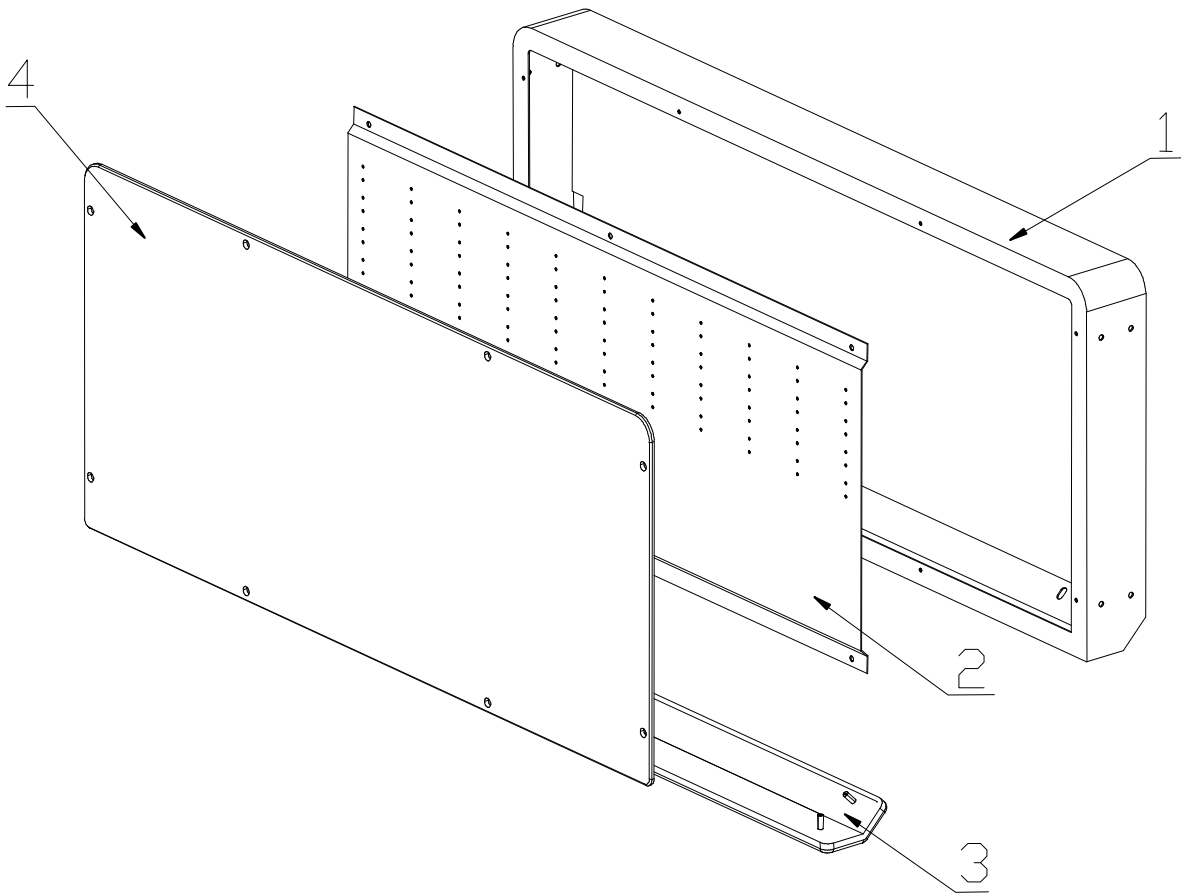
No.	Part No.	Code	Name	Spec.	Qty
1	S127-463-000	41106000021	Black steering wheel	PU + Aluminum alloy	1
2	S127-181-000	20251408082	Steering wheel shaft	Color zinc plating	1
3	S127-141-000	20251408040	Steering wheel frame	Q235	1
4	S127-186-000	20251408087	Locating sleeve	Black steel	1
5	S127-139-000	20251408038	Limit block	Color zinc plating	1
6	S127-140-000	20251408039	Limit column fixed plate	Color zinc plating	1
7	S127-172-000	20251408071	Potentiometer bracket	SECC	1
8	S127-311-000	20101010035	Cross recessed pan head screws kit	Q235	1

9.7 PC Assy.



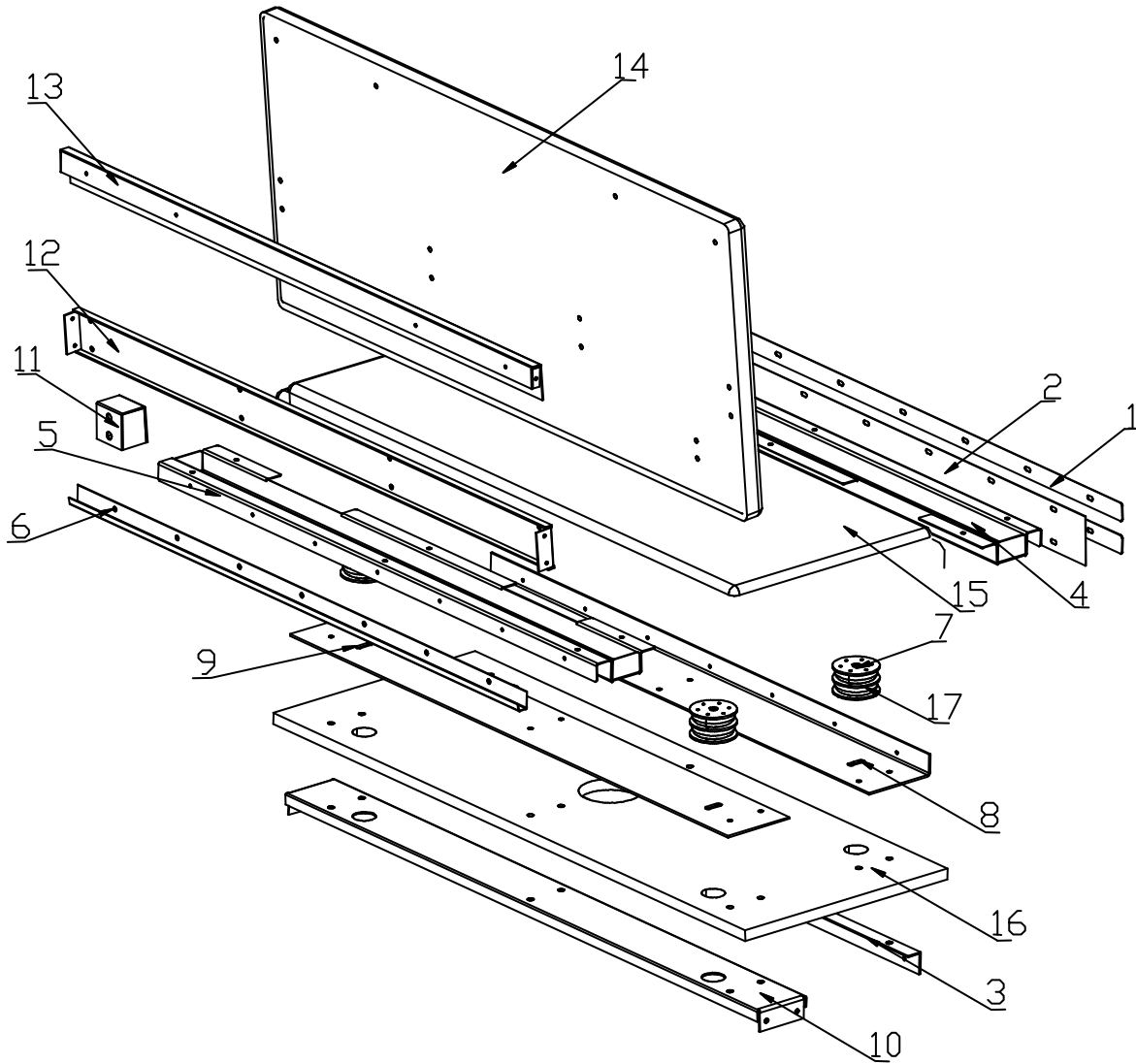
No.	Part No.	Code	Name	Spec.	Qty
1	S127-194-000	20251408A001	PC hoop	SECC	1
2	S127-231-000	20251408073	PC fixed plate	SECC	1
3	S127-527-000	20351408A001	PC bed plate	MDF red mica	1

9.8 Rear Marquee Assy.



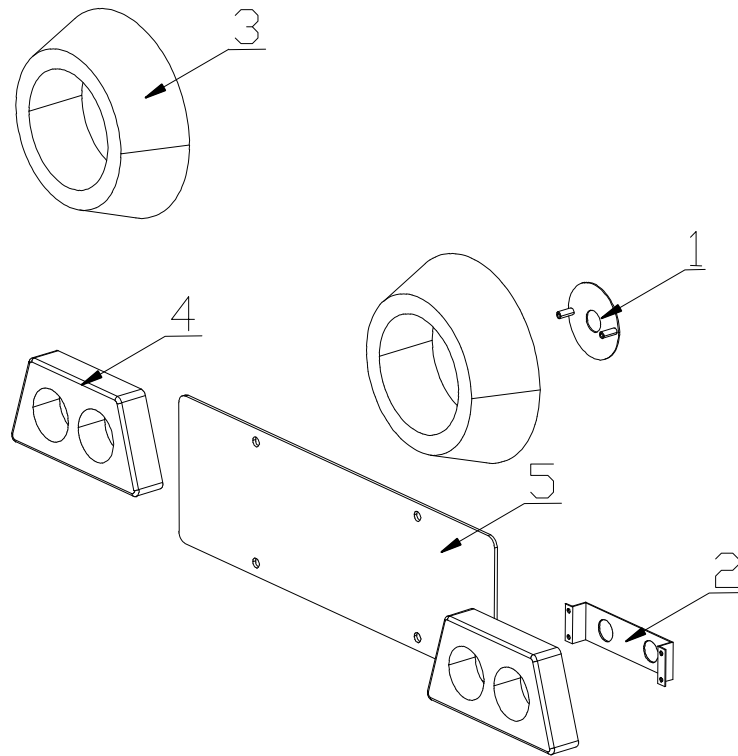
No.	Part No.	Code	Name	Spec.	Qty
1	S127-143-000	20251408042	Sheet metal frame	Q235	1
2	S127-173-000	20251408074	Light belt fixed sheet metal	SECC	1
3	S127-145-000	20251408044	Head guard plate	Assy.	1
4	S127-714-000	20551408007	Rear Marquee plastic	Clear plastic	1

9.9 Seat Assy.



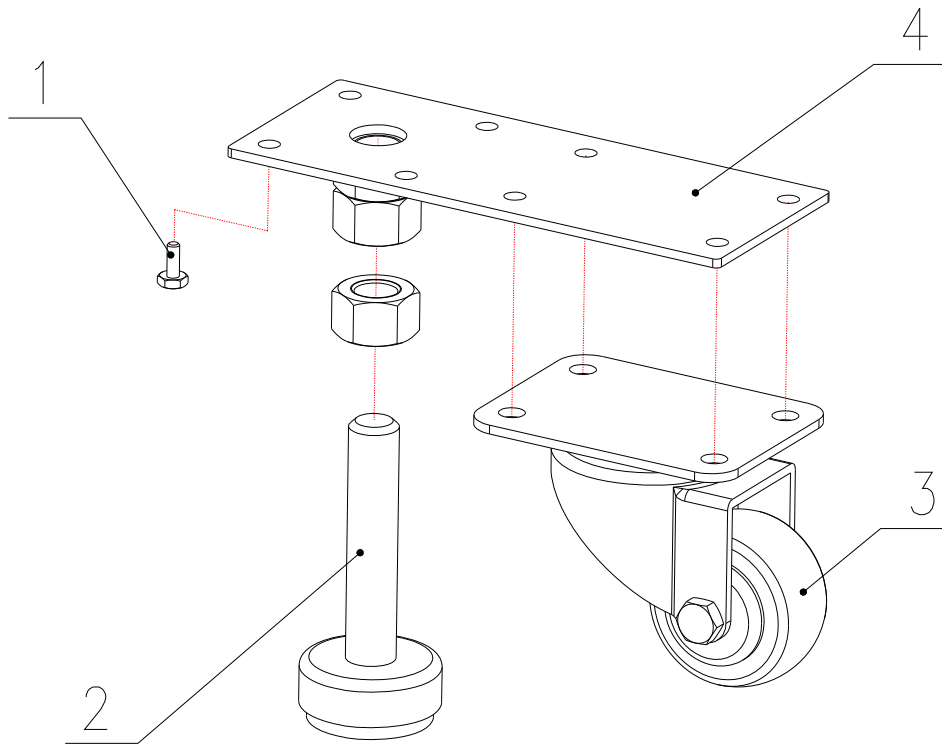
No.	Part No.	Code	Name	Spec.	Qty
1	S127-146-000	20251408045	Non-woven press plate	Q235	2
2	S127-218-000	20651408020	Non-woven	Black	1
3	S127-147-000	20251408046	Front connection sheet metal	Q235	1
4	S127-174-000	20251408075	Rear sheet metal	SECC	1
5	S127-175-000	20251408076	Front sheet metal	SECC	1
6	S127-176-000	20251408077	Guide tank	SECC	1
7	S127-148-000	20251408047	Speaker embedded	Q235	2
8	S127-149-000	20251408048	Front plate	Q235	1
9	S127-150-000	20251408049	Rear plate	Q235	1
10	S127-151-000	20251408050	Seat bracket	plywood	1
11	S127-152-000	20251408051	Backrest top plate	Q235	3
12	S127-153-000	20251408052	Backrest middle sheet metal	Q235	1
13	S127-193-000	20251408094	Backrest top bar	steel	1
14	S127-504-000	20351408004	Backrest	Assy.	1
15	S127-505-000	20351408005	Seat surface	Assy.	1
16	S127-506-000	20351408006	Seat bottom plate	plywood	1
17	S127-101-000	20241315101	Spring bracketA	Q235	8
	S127-102-000	20241315102	Spring bracketB	Q235	4
	S127-195-000	20641315032	Rubber cushion ring	Natural rubber	8

9.10 Taillight Assy.



No.	Part No.	Code	Name	Spec.	Qty
1	S127-177-000	20251408078	Taillight frame	SECC	2
2	S127-178-000	20251408079	Exhaust pipe bracket	SECC	2
3	S127-197-000	20651401A014	Double rear light cover	ABS	2
4	S127-198-000	20651401A017	Exhaust pipe	ABS	2
5	S127-716-000	20551408008	License plate plastic	Clear plastic	1

9.11 Caster Assy.

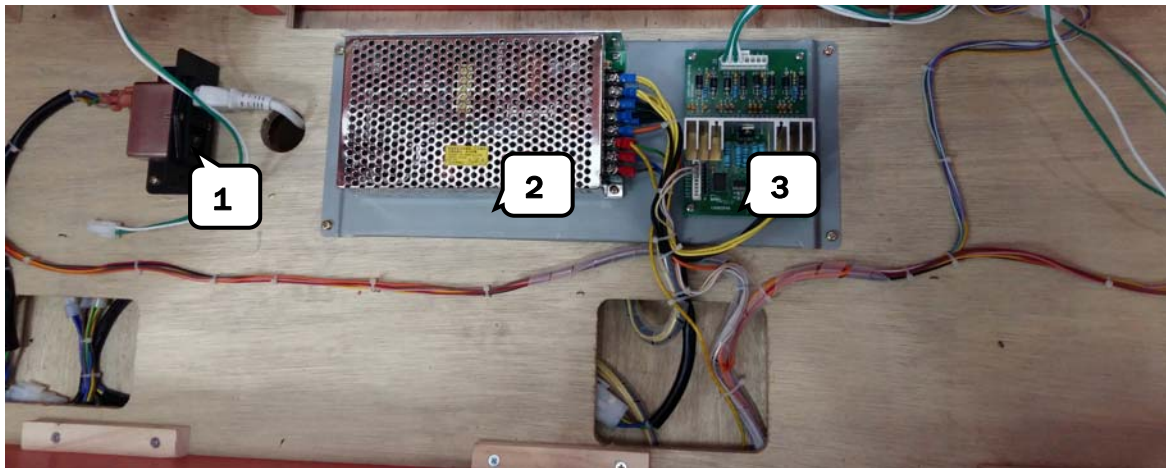


No.	Part No.	Code	Name	Spec.	Qty
1	S127-356-000	20104010002	Cross recessed hexagon bolt	Q235	6
2	S127-223-000	26000008000	2.5"leveller	Q235	4
3	S127-455-000	25501000056	2.5"castor	3-2689-52	4
4	S127-224-000	26000010000	2.5"castor support bracket	Q235	4

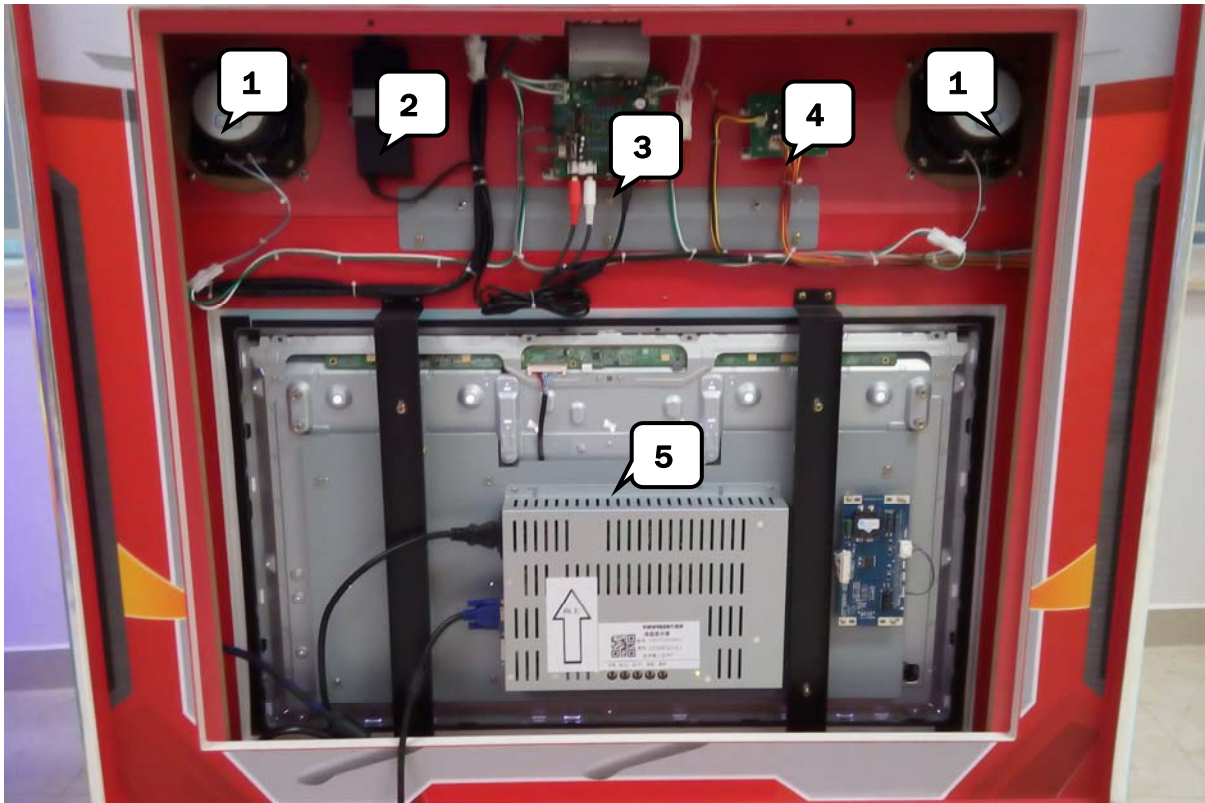
9.12 Electrical Part 1



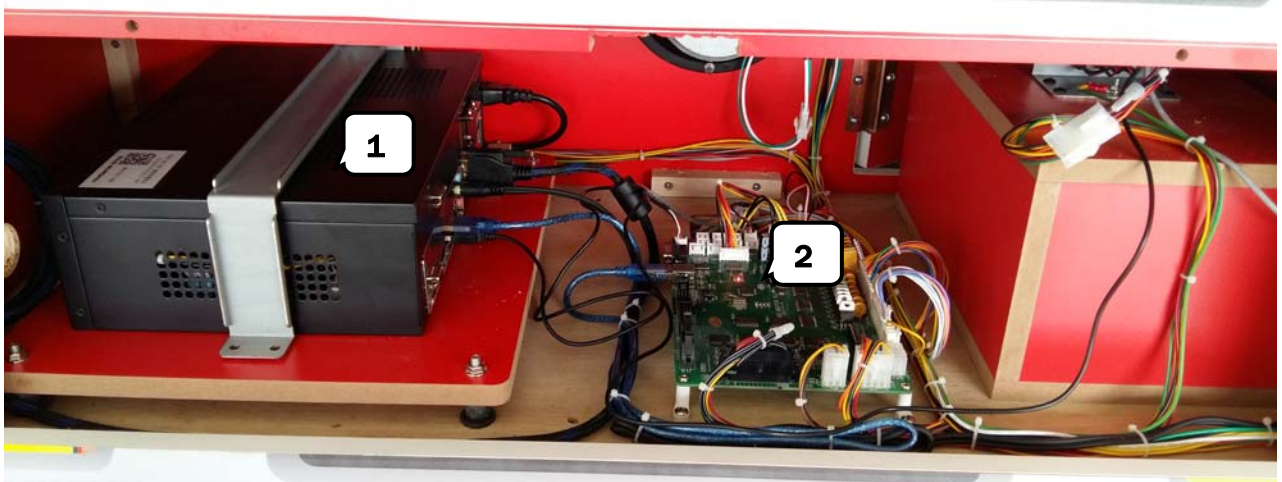
No.	Part No.	Code	Name	Spec.	Qty
1	S127-424-000	22003070014	Blue mushroom light	E14-22-MG5050B-Z9-DC12V	2
2	S127-423-000	22003070013	Red mushroom light	E14-22-MG5050R-Z9-DC12V	4
3	S127-420-000	22002013013	LED flexible lamp belt	DC12V 3528LED 60z/m blue	1



No.	Part No.	Code	Name	Spec.	Qty
1	S127-442-000	23201000003	Filter	CW2B-6A-T(004) UL	1
2	S127-414-000	21602000071	Power supply box	EPT-S150D12+5R	1
3	S127-456-000	29741315004	Motor driver board	L6203-4DRV.PCB(V1.2)	1



No.	Part No.	Code	Name	Spec.	Qty
1	S127-438-000	22801000085	Speaker	4"5Ω 20W	2
2	S127-439-000	22803010001	Amplifier board	GC2.2	1
3	S127-415-000	21603020001	Adapter	DC14/15-3AGF	1
4	S127-457-000	29740917006	PCB board	XMJZ-LEDKZ.PCB V1.1	1
5	S127-413-000	21201032004	32" display	S127-413-000	1

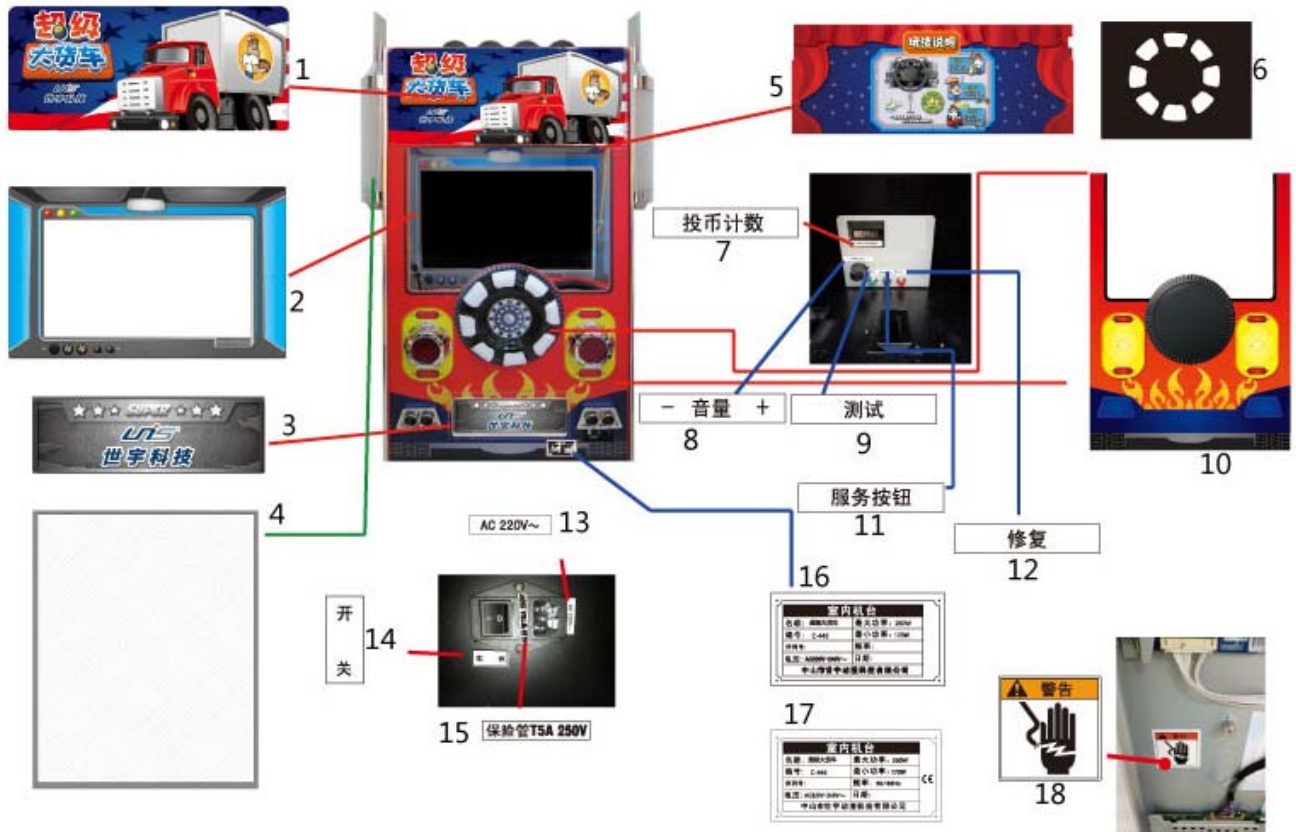


No.	Part No.	Code	Name	Spec.	Qty
1	S127-458-000	21102000042	PC	VF6012(M)	1
2	S127-459-000	29791300001	M3 board	M3-MB V1.1	1

9.13 Decal

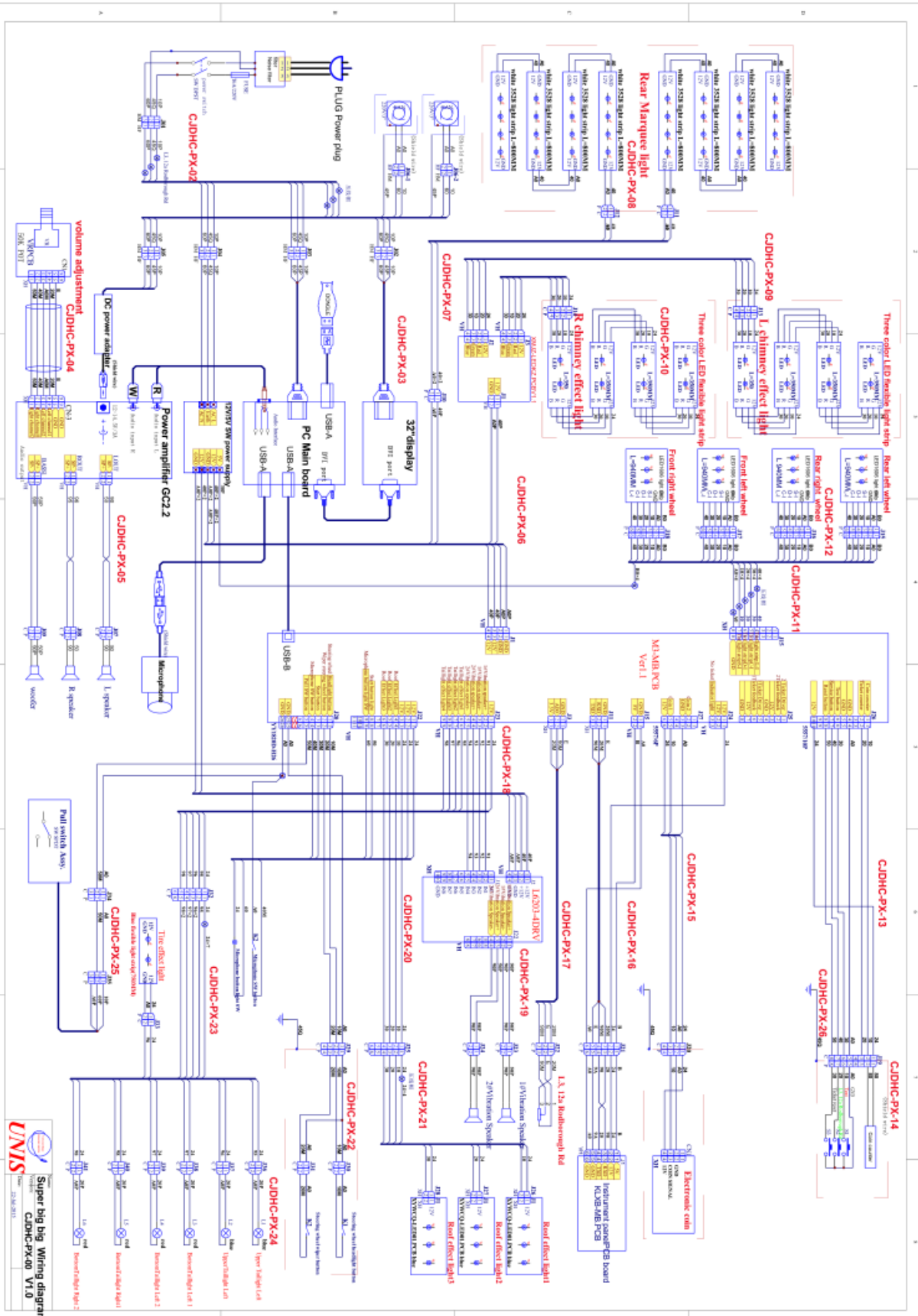


No.	Part No.	Code	Name	Qty
1	S127-701-000	20551408018	Front marquee decal	1
2	S127-702-000	20551408013	Front head decal	1
3	S127-703-000	20551408017	Top decal	1
4	S127-704-000	20551408010	L side board decal	1
5	S127-705-000	20551408011	L side board decal	1
6	S127-706-000	20551408005	Wheel plastic	4
7	S127-707-000	20551408003	Control panel pointer board decal	1
8	S127-708-000	20551408002	Control panel microphone plastic	1
9	S127-709-000	20551408006	Glue film	1
10	S127-710-000	20551408014	Button decal	1
11	S127-712-000	20551408021	Control panel decal	1
12	S127-713-000	20551408016	Handle knob decal	1



No.	Part No.	Code	Name	Qty
1	S127-714-000	20551408007	Rear marquee plastic	1
2	S127-715-000	20551408001	Display plastic	1
3	S127-716-000	20551408008	license plate plastic	1
4	S127-717-000	20551408004	Chimney cover plastic	2
5	S127-718-000	20551408015	Speaker board decal	1
6	S127-719-000	20551408009	Wheel cover B	1
7	S127-720-000	25601000001	Coin counter label	1
8	S127-721-000	25601000003	Volume label	1
9	S127-722-000	25601000005	Test label	1
10	S127-723-000	20551408012	Rear plate label	1
11	S127-724-000	25601000009	Service label	1
12	S127-725-000	25601000006	Reset label	1
13	S127-726-000	25601000072	New Voltage 220V	1
14	S127-727-000	25601000017	Power SW labelB	1
15	S127-728-000	25601000067	Fuse T5A/250	1
16	S127-729-000	20551408019	Non-certification 220V nameplate	1
17	S127-730-000	20551408020	certification 220V nameplate	1
18	S127-731-000	25601000036	High voltage warning(small)	1



Wiring Diagram





Have Questions? Contact us!

www.universal-space.com

 International Support Center	 USA Support Center
<p>Tel: +1-905-477-2823</p> <p>Fax: +1-905-477-2660</p> <p>Email: service@universal-space.com</p> <p>(Contact: Clement Yau)</p>	<p>Tel: 972-241-4263</p> <p>Fax: 214-919-4918</p> <p>Email: tsnelling@unisusasupportcenter.com</p> <p>(Contact: Tim Snelling)</p>