

# SAFARI RANGER



Be Sure  
to Read this  
Manual  
Before Use

## Operation Manual

**UIS**<sup>®</sup>  
UNIVERSAL SPACE

[www.universal-space.com](http://www.universal-space.com)

# CONTENT

IMPORTANT SAFETY INSTRUCTIONS.....	2
1. SPECIFICATIONS .....	4
2. PACKAGE CONTENTS.....	5
3. PART NAME.....	6
4. SET UP & INSTALLATION.....	7
5. HOW TO PLAY .....	10
6. GAME OPTION .....	10
8. MAINTENANCE & INSPECTION .....	17
9. OVERALL CONSTRUCTION .....	18
Wiring Diagram .....	19

Thank you for purchasing **Safari Ranger 1P** from Universal Space. We hope you enjoy the product.

This manual contains valuable information about how to operate and maintain your game machine properly and safely. It is intended for the owner and/or personnel in charge of product operation. Carefully read and understand the instructions.

If you need any help during installation and setup please utilize this manual and troubleshooting guide. If the product fails to function properly, *non-technical personnel should under no circumstance attempt to service the machine*. Contact your distributor or manufacturer for help.

Before use, please read **IMPORTANT SAFETY INSTRUCTIONS**.

## **IMPORTANT SAFETY INSTRUCTIONS**

**To ensure the safe usage of this product, carefully read and understand these instructions before operating your game.**

**Save these instructions for future reference.**

Use this product only as described in this manual. Other uses not recommended may cause fire, electric shock or personal injury. Unplug the game from the outlet when not in use, when moving from one location to another, and before cleaning/servicing.

Explanations which require special attention are indicated by signs of warning. Depending on the potential hazardous degree, the terms: **NOTE**, **NOTICE**, and **WARNING** are used.

**NOTE:** A NOTE indicates useful hints or information about product usage.

**NOTICE:** A NOTICE indicates potential damage to product and how to avoid the problem.

**WARNING:** A WARNING indicates a potential for product damage or serious personal injury.

It is important to understand the meaning of the following HAZARD SIGNS before continuing:

### **High Voltage and Shock Hazard:**

High voltage can cause electric shock.  
Turn off/unplug power before servicing.



### **High Temperature Hazard:**

This part may cause scalding.  
Do not touch. Surface may be hot.



**No Touching Hazard:**

This part may be hot or can cause electric shock.

Do not touch.

Use the following safety guidelines to help ensure your own personal safety and to help protect your equipment and surrounding environment from potential damage.



 **This product is an indoor game machine. Do not install outdoors.**

Avoid installing in the following places to prevent fire, electric shock, injury and/or machine malfunctioning:

- Places subject to rain/moisture, or places subject to high humidity.
- Places subject to direct sunlight, or places subject to extremely hot or cold temperatures to ensure that it is used within the specified operating range.
- Places where inflammable gas may be present or in the vicinity of highly inflammable/volatile chemicals or items that can easily catch fire
- On unstable or sloped surfaces. The machine may topple or cause unforeseen accidents.
- Vicinity of fire exits, fire extinguishers etc that may block/prevent safety measures

**IMPORTANT NOTE:**

**ALL REPAIRS MUST BE DONE TO ORIGINAL MANUFACTURER SPECIFICATIONS. FAILURE TO DO SO VOID ALL WARRANTIES AND OPERATOR ASSUMES ALL RISKS.**

Note: The contents of this manual may be updated without notice.

# 1. SPECIFICATIONS


Rated power supply: **AC110V 50/60Hz; AC 220V 50/60Hz.**

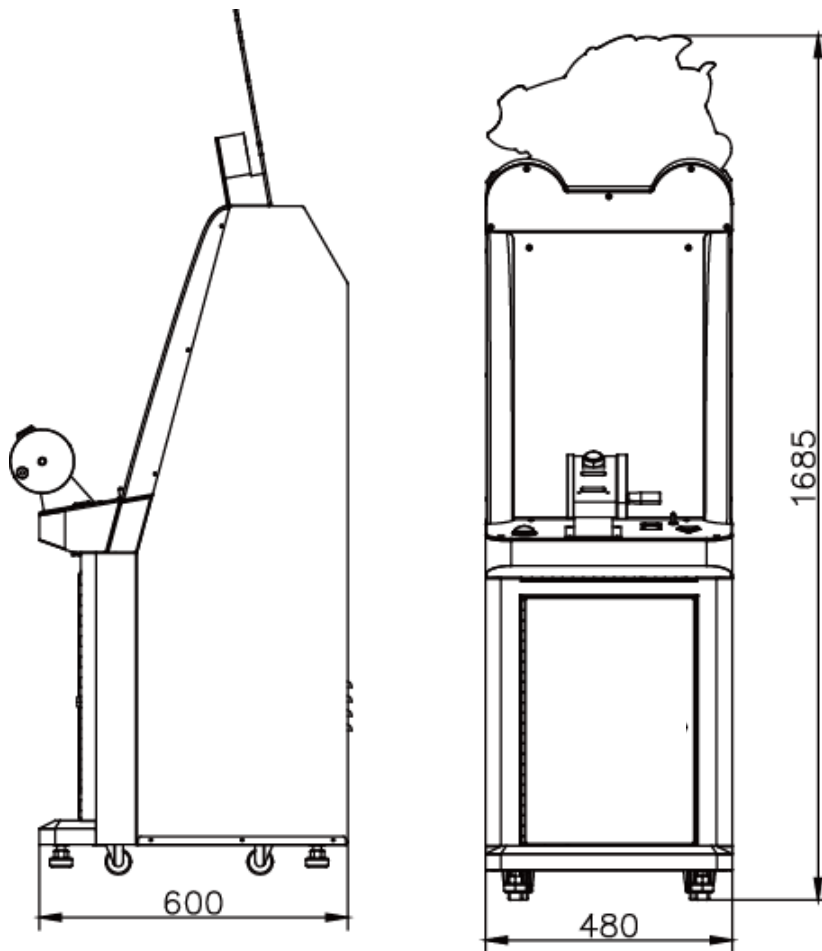
Min. Power consumption: **60W**

Max. Power consumption: **75W**


Dimensions: **W480×D600×H1685 (mm)**

Weight: **Approximately 180kg**

 **NOTICE:** After turning off the game, please wait at least 1 minute before restarting again.







**Note:** Game parameters are subject to change without notice.

 **NOTICE:** After turning off the game, please wait at least 1 minute before restarting again.

## 2. PACKAGE CONTENTS

Open the package and make sure all the items are included:

1. 1 x Body Assembly
2. Following accessories

No.	Part No.	Code No.	Name	Spec.	Qty	Picture
1	S133-417-000	23301000001	Power cord	10A/250V 1.8m	1	
2	S133-416-000	21901000008	Fuse	T3A/125VAC Φ5X20mm	1	
3	S133-446-000	41300000005	Memory stick	8G	1	
4	S133-729-000	41440000083	Manual	ENGLISH	1	
5	S133-449-000	25300171002	Key	171	1	
6	S133-450-000	25300172002	Key	171B	1	

**NOTE:** Part models are subject to change without notice.

### 3. PART NAME



## 4. SET UP & INSTALLATION

**!** This product is an indoor game machine. Do not install outdoors.

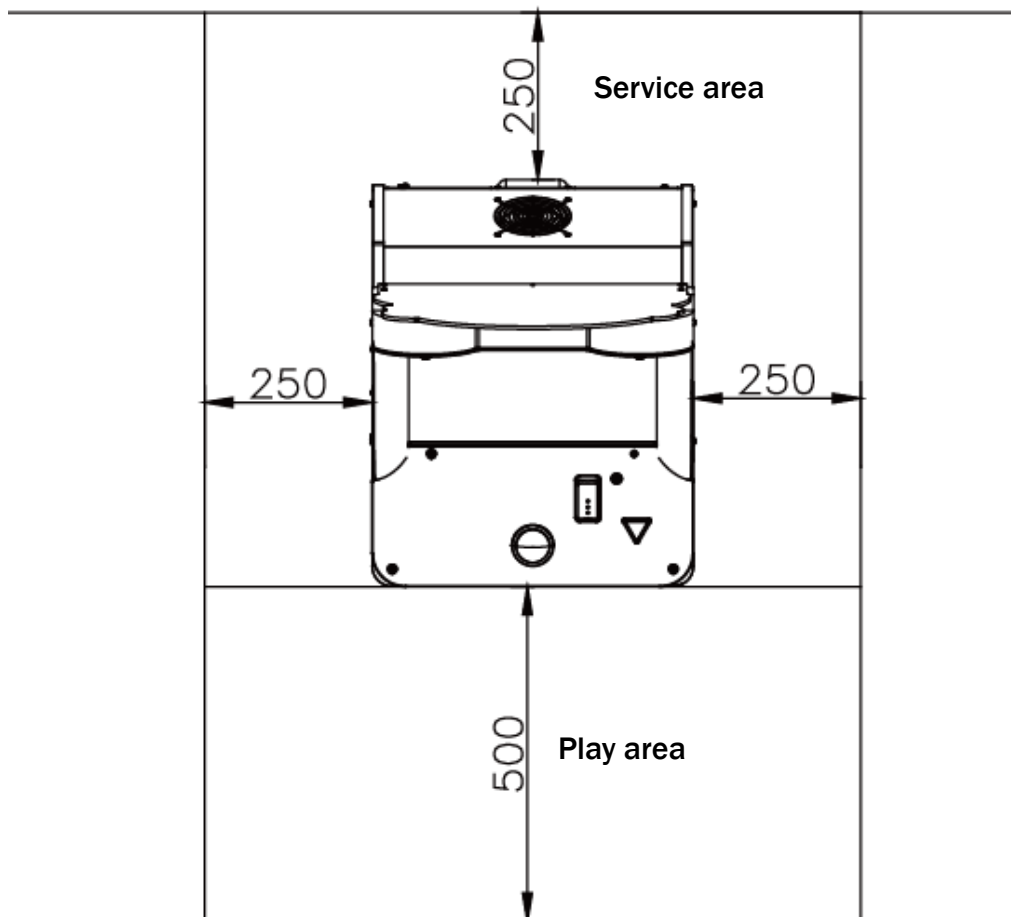
- Refer to IMPORTANT SAFETY INSTRUCTIONS (Pg. 2) for places to avoid
- Place the unit on a dry level surface
- Ventilation openings in the back of the unit must not be obstructed by objects or by wall.

### 4.1 Play Zone

This machine requires space for playing and for maintenance as shown below.  
Leave space around the game upon installation:

**Service area: 250mm**

**Play area: 500mm**

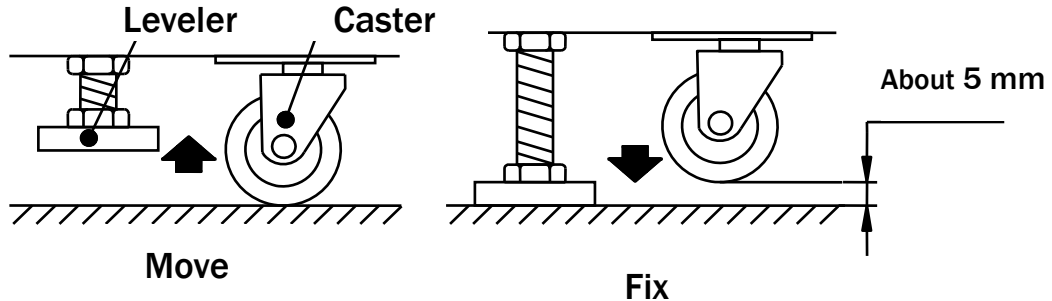




## 4.2 Level Adjustment

Install this machine on a flat surface. Adjust levers to lift casters off the ground to level the game. If the game is installed on an unsuitable floor, it could cause game malfunction.

To secure the game, adjust the Leveler down until it touches the floor, lifting the casters off the ground by 5mm. Repeat the same for all levelers.

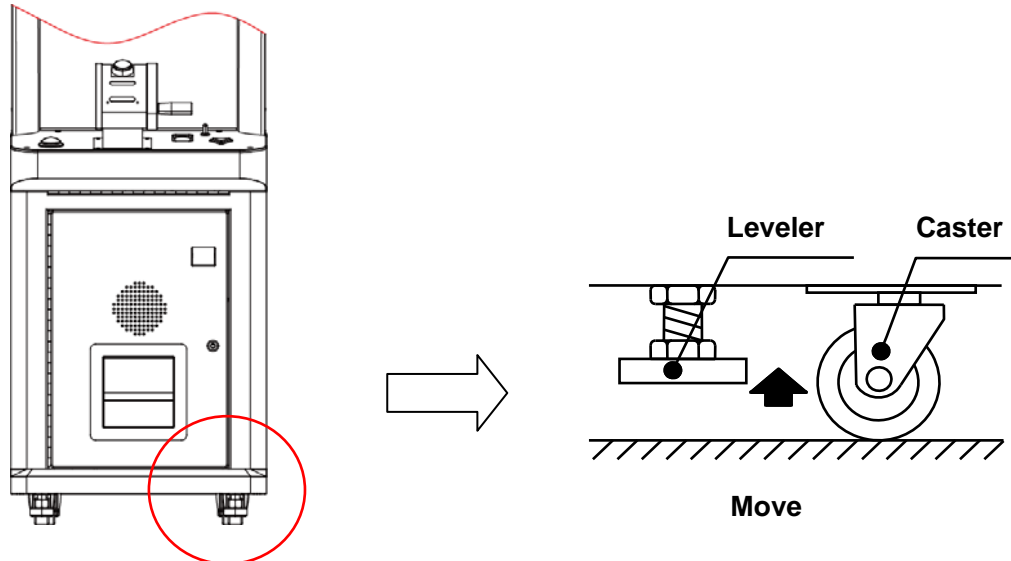


### NOTICE

Make sure the machine is level with the ground and all the adjustable legs should stick to the floor closely.

## 4.3 Transporting the Game

If you need to move the game, adjust the levelers back to an “up” position so the casters touch the ground.



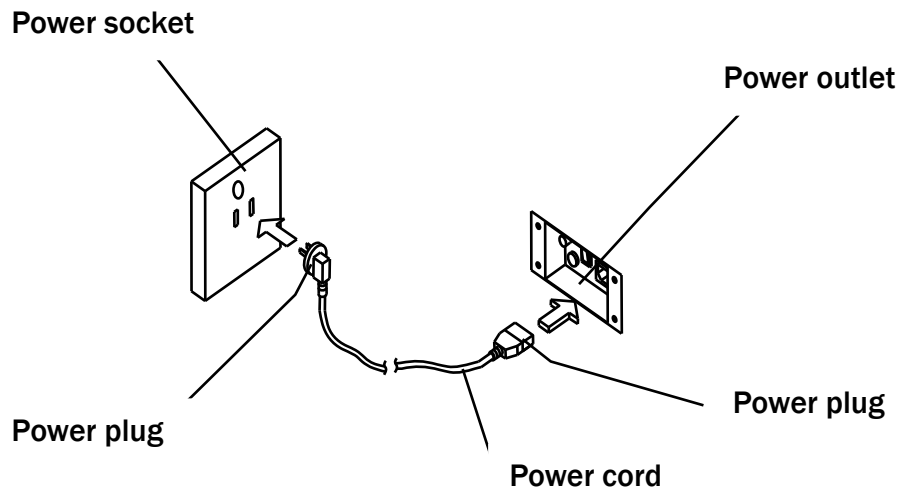
### NOTICE

- Be careful not to damage the machine during transport.
- The machine should be handled with care when bringing it down from a higher level.
- Always unplug the game before moving.
- Keep the machine in upright position during transport.
- For longer distance transport, package the game properly to prevent damages.

## 4.4 Connecting Power

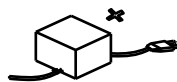
**! WARNING:** Check the voltage rating before you connect the equipment to an electrical outlet to ensure that the required voltage and frequency match the available power source. Please refer the label of the machine.

- Do not plug the equipment power cables into an electrical outlet if the power cable is damaged.
- Avoid putting many loads on one electrical outlet as it could generate heat and fire resulting from overload.
- Connect the grounding conductor to the earth terminal (GND):

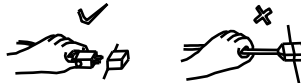


**! WARNING**

Ensure no heavy objects rest on the power cord. Check to make sure the game cabinet does not sit on the power cord as this could damage the cord and become hazardous.



To disconnect the game, grip the plug and pull it from the wall outlet. Never pull by the cord.



To prevent electric shock, do not touch the power plug when hand is wet.



Ensure that nothing rests on the power cord and that it is not located where it can be stepped on or tripped over.

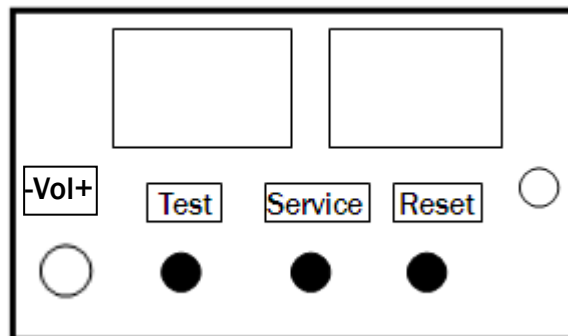


## 5. HOW TO PLAY



## 6. GAME OPTION

Open the front door and there is a meter on the coin box. Press Test button on the meter and get into the setting menu.



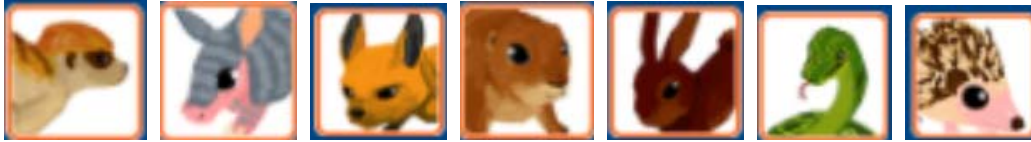
Main Menu

Main Menu  
Game Mode  
Input Test  
Output Test  
Game Reset  
Language 语言/: English  
Time Setting  
Bookkeeping  
Exit Without Save  
Back & Save

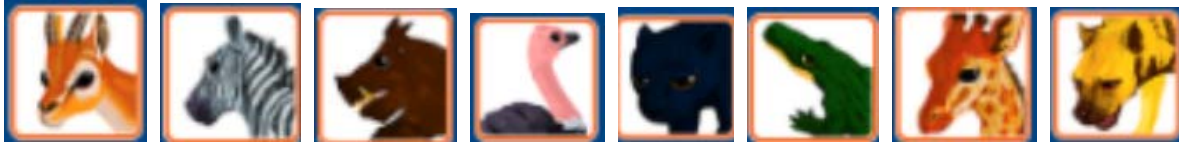
Game mode

Free Play: OFF  
Reward Mode: Ticket  
Ticket Out: On  
Coins per Round: 1  
Fixed Tickets:0  
Ticket/Point: Ticket  
Average Payout: 30 Tickets/Coin  
Target Tickets  
Target Point Setting  
Score Board  
Auto Play Time: 10(s)  
Game Duration: 15(s)  
Resistance test:3  
ResistanceSetting  
Animal Score Display: ON  
Background Sound: ON  
Volume: 5  
Mercy Tickets: 0  
Is Save Coins: ON  
Back

**Small Animal:**



**Medium Animal:**



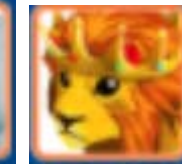
**Big Animal:**



**Leopard&Rhinoceros&Buffalo:**



**Lion&Elephant:**



Buffalo

Rhino

Leopard

Elephant

Lion

**Big Five:**

**White Lion:**



**Target Tickets/point setting**

Small Animal:2  
Middle Animal:8  
Big Animal:16  
Leopard&Rhinoceros&Buffalo:30  
Lion&Elephant:50  
Big Five:220  
White Lion:1000

Back

Score board

0-4 PointsGetTickets:1  
5-100 PointsGetTickets:5  
101-200 PointsGetTickets:10  
201-350 PointsGetTickets:15  
351-500 PointsGetTickets:30  
501-1000 PointsGetTickets:50  
1001-2000 PointsGetTickets:100

Back

Resistance setting

Small Animal:1  
Middle Animal:2  
Big Animal:3  
Leopard&Rhinoceros&Buffalo:4  
Lion&Elephant:5  
White Lion:6

Back

Input Test

Coin Mech: OFF  
Server Button: OFF  
Repair Button: OFF  
Lower Hook: OFF  
LvIUp Button: OFF  
Door Switch: ON

Back

Output Test

Lower Hook Light: OFF  
Resistance: 0  
LvIUp Button Light: OFF  
Out Coins: OFF  
Shake: OFF

Back

**Game Reset**

<p><b>Reset Configs</b>  <b>Clear All Records</b>  <b>Clear Out Coins</b>  <b>Clear Insert Coins</b></p> <p><b>Back</b></p>
---

**Time Setting**

Items	Description
<b>Year            2015</b>	<b>Set the year of the date.</b>
<b>Month            2</b>	<b>Set the month of the date.</b>
<b>day                2</b>	<b>Set the day of the date.</b>
<b>Hour(24)        14</b>	<b>Set the house of the date</b>
<b>Minute           52</b>	<b>Set the minute of the date.</b>
<b>Second           57</b>	<b>Set the second of the date</b>
<b>Back</b>	<b>Back to main menu without saving any changes.</b>
<b>Back &amp; Apply</b>	<b>Save the settings and back to main menu.</b>

**Book Keeping**

Player	Insert Coins	Used Coins	Out Coins	Earned Coins	Return Rate
<b>1</b>	<b>427</b>	<b>1248</b>	<b>564</b>	<b>684</b>	<b>45.19%</b>
<b>Back</b>					

## 7. ERROR MESSAGE AND RECOVERY

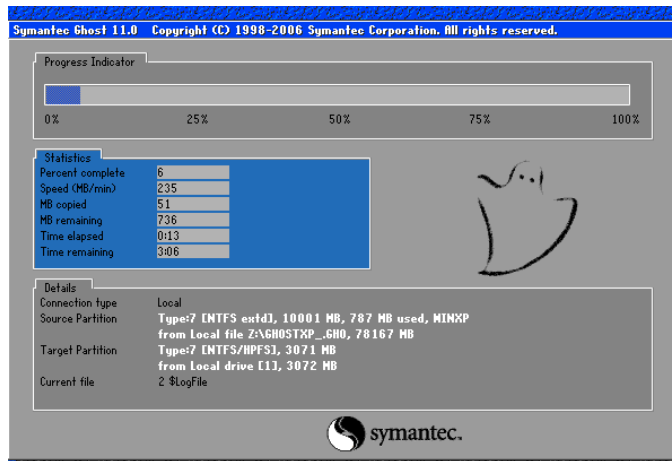
### 7.1 Trouble Shootings

- Please confirm whether every connector connected tightly.

Troubles	Cause	Methods
Cannot start with power on	Power source not fit	Check and replace it
	Residual current circuit breaker turned off	Check and turn it on
	Voltage is not 110V	Replace the power source
Blank screen with Open WINDOWS sound and power on	VGA signal line loosen	Draw and insect it. If not for the supply port, check VGA signal line
	Monitor broken	Change monitor. Please call 4006-020-321 for after-sales service
	Game procedure reports error	Update game again
Start normally but crash sometime in process	Video card loosen or not touch firmly	Reinstall the video card
	Computer crash	Restart it or restore system
No reaction from coin mech	Coin mech broken	Replace coin mech
	Coin mech's signal line loosen	Check and fasten it
	Not in DC12V	Change the voltage of power switch
	IO control-panel broken	Replace IO control-panel
Start normally but without sound	Volume shut down	Adjust volume
	Audio cable loosen	Check and fix it
	Power amplifier broken	Replace power amplifier
	Loudspeaker broken	Replace loudspeaker
Start normally but cannot enter gaming scene	VGA signal line loosen	Check if it is connected with IO firmly
	IO control-panel broken	Replace IO control-panel
	Dongle broken	Replace dongle
Lights not work	DC12V connecting line loosen	Check and fasten it
	Switch power source broken	Replace power source
	DC12V short circuit	Check and eliminate it
	Light control-panel broken	Replace control-panel

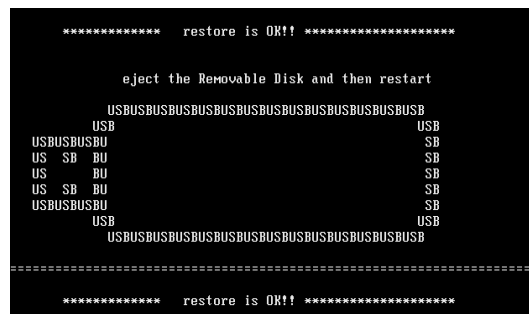


## 7.2 System Recovery Operation



1. Turn off the game. Insert the memory stick into the USB port at the back of the computer.
2. Restart PC to enter the system recovery screen as shown.
3. The game will automatically start recovery which will last about 5 minutes.

Please wait until process is complete.



4. Once system recovery is finished (as shown on the left), remove the USB flash drive from the computer and turn off the PC. Wait at least 30 seconds before restarting the PC.



**WARNING:** the USB flash drive should only be used to fix software errors. Using it for other purposes may cause unexpected results and damages.

## 8. MAINTENANCE & INSPECTION

### 8.1 Safety Check

Check the points listed before operating the machine. These checks are necessary for safe machine operation:

1. Try to run the game before operation each day.
2. Conduct monthly routine checks of game components ensure good working condition
3. Check the machine regularly for dust and clean when necessary.

**Note:** Parts and components require preventative maintenance to be kept running smoothly

### 8.2 Handling Precautions

When installing or inspecting the machine, be very careful of the following points and pay attention to ensure that the player can enjoy the game safely.

Non-compliance with the following points or inappropriate handling running counter to the cautionary matters herein stated can cause personal injury or damage to the machine



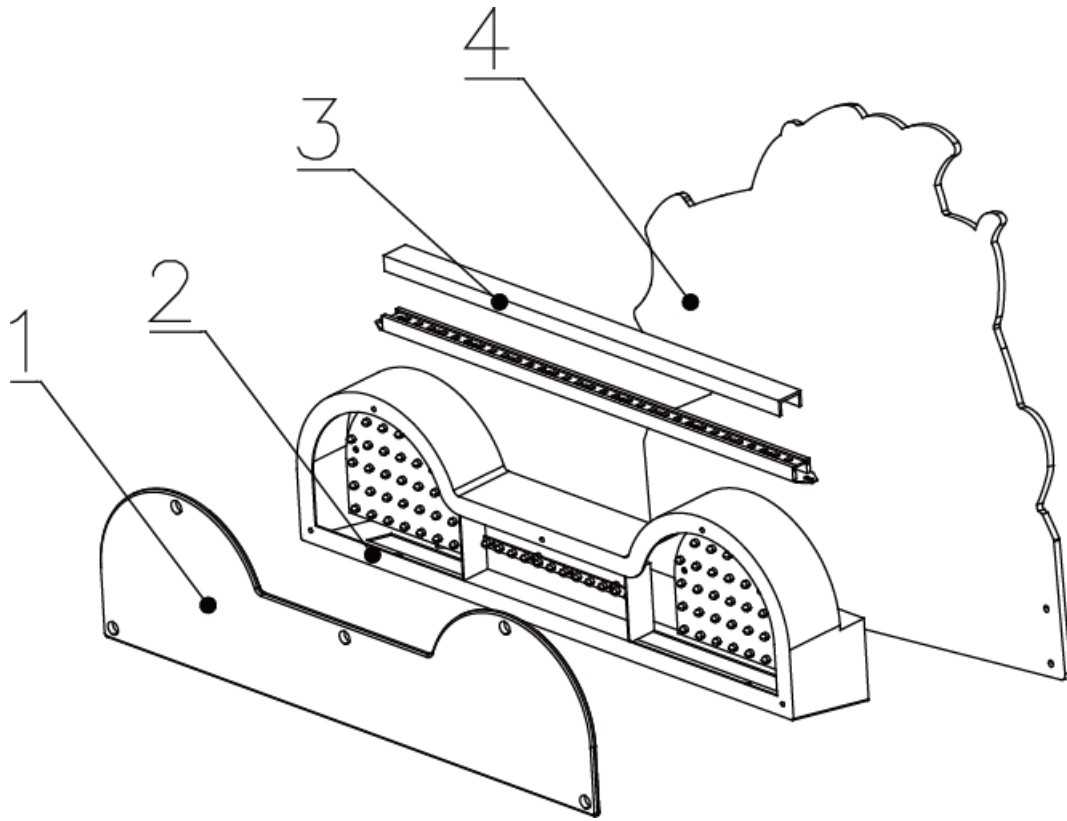
#### WARNING

- Before servicing the machine, be sure to turn the power off. Servicing without turning the power off can cause electric shock or short circuit.
- To avoid electric shock or short circuit, do not plug then unplug the power quickly
- Do not expose power cords and earth wires, these are susceptible to damage.
- Damaged cords and wires can cause electric shock or short circuit and should be replaced immediately.
- When or after installing the product, avoid pulling the power cord to prevent unnecessary wear and tear. Use the power button to disconnect power.
- In case the power cord is damaged, ask for replacement through where the product was purchased from or replace locally. Continued usage of damaged cord can cause fire, electric shock or leakage.
- Perform grounding appropriately. Inappropriate grounding can cause electric shock.
- Use fuses that meet specified rating. Fuses exceeding can cause an electric shock.
- Should a problem occur, turn off the power immediately and stop operating the machine. Unplug the power cord of the service outlet. Operating the machine without correcting the problem may cause a fire or injuries.
- Insert the power plug securely into the outlet. Poor contact may cause overheating, resulting in fire or burns.
- To ensure the warning labels attached on the machine are visible and legible, install the machine in a well-lit location, and keep the labels clean at all times. Make sure the labels are not hidden behind other game machines.

## 9. OVERALL CONSTRUCTION

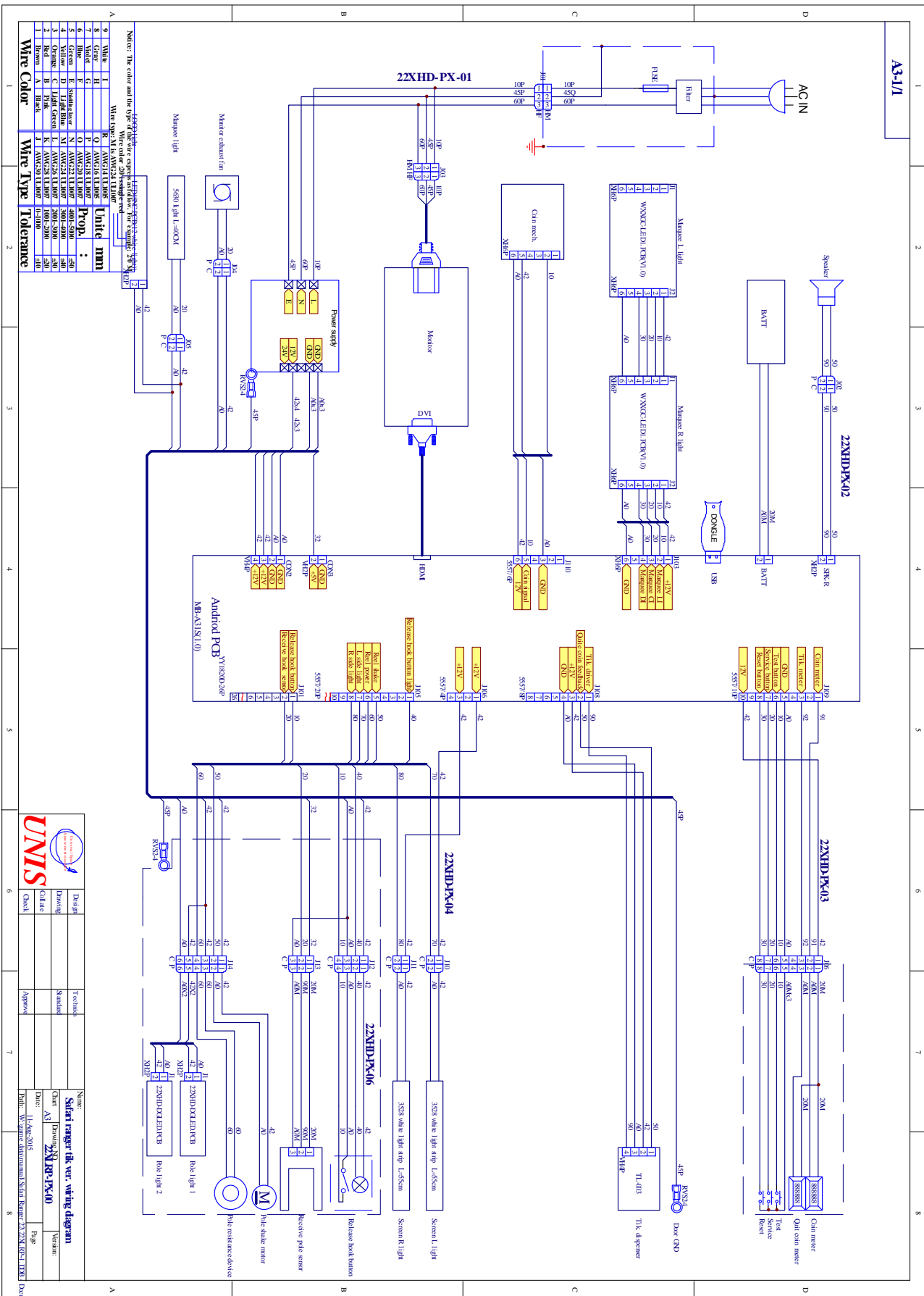
### 9.1 Mechanical Part

#### 9.1.1 Marquee Assembly





No.	Part No.	Code No.	Name	Material	Qty
1	S133-703-000	20511406E003	Marquee decal	Plastic T5.0	1
2	S133-164-000	20241341003	Marquee	Q235 T=1.2	1
3	S133-144-000	20641324B001	Light cover	Transparent PC	1
4	S133-704-000	20511406E004	POP decal	MDF PVC	1

# Wiring Diagram





Have Questions? Contact us!  
[www.universal-space.com](http://www.universal-space.com)

 International Support Center	 USA Support Center
Tel: +1-905-477-2823 Fax: +1-905-477-2660 Email: <a href="mailto:service@universal-space.com">service@universal-space.com</a> (Contact: Clement Yau)	Tel: 972-241-4263 Fax: 214-919-4918 Email: <a href="mailto:tsnelling@unisusasupportcenter.com">tsnelling@unisusasupportcenter.com</a> (Contact: Tim Snelling)