



SKI RACER



Be Sure
to Read this
Manual
Before Use

Operation Manual

UNIS[®]
UNIVERSAL SPACE

www.universal-space.com

CONTENT

IMPORTANT SAFETY INSTRUCTIONS	2
1. SPECIFICATIONS.....	4
2. PACKAGE CONTENTS	5
3. PART NAME.....	6
4. SET UP & INSTALLATION	7
5. HOW TO PLAY	11
6. GAME OPTION.....	12
7. ERROR MESSAGE AND RECOVERY.....	14
8. MAINTENANCE & INSPECTION.....	17
9. OVERALL CONSTRUCTION	18
10.WIRING DIAGRAM	32

Non-technical personnel who do not have technical knowledge and Expertise should refrain from performing such work that this manual require or perform tasks which are not explained in this manual. Failing to comply can cause severe accidents such as electric shock or other serious injuries. All repairs must be performed to original manufacturer specifications.

WARNING: To reduce the risk of fire, electric shock or personal injury, unplug or disconnect the machine from the power supply before servicing.

Thank you for purchasing **SKI RACER**. We hope you enjoy the product.

This manual contains valuable information about how to operate and maintain your game machine properly and safely. It is intended for the owner and/or personnel in charge of product operation. Carefully read and understand the instructions.

If you need any help during installation and setup please utilize this manual and troubleshooting guide. If the product fails to function properly, *non-technical personnel should under no circumstance attempt to service the machine*. Contact your distributor or manufacturer for help.

Before use, please read **IMPORTANT SAFETY INSTRUCTIONS**.

IMPORTANT SAFETY INSTRUCTIONS

To ensure the safe usage of this product, carefully read and understand these instructions before operating your game.

Save these instructions for future reference.

Use this product only as described in this manual. Other uses not recommended may cause fire, electric shock or personal injury. Unplug the game from the outlet when not in use, when moving from one location to another, and before cleaning/servicing.

Explanations which require special attention are indicated by signs of warning. Depending on the potential hazardous degree, the terms: **NOTE**, **NOTICE**, and **WARNING** are used.

NOTE: A NOTE indicates useful hints or information about product usage.

NOTICE: A NOTICE indicates potential damage to product and how to avoid the problem.

WARNING: A WARNING indicates a potential for product damage or serious personal injury.

It is important to understand the meaning of the following **HAZARD SIGNS** before continuing:

High Voltage and Shock Hazard:

High voltage can cause electric shock.
Turn off/unplug power before servicing.



High Temperature Hazard:

This part may cause scalding.
Do not touch. Surface may be hot.



No Touching Hazard:

This part may be hot or can cause electric shock.
Do not touch.



Use the following safety guidelines to help ensure your own personal safety and to help protect your equipment and surrounding environment from potential damage.



This product is an indoor game machine. Do not install outdoors.

Avoid installing in the following places to prevent fire, electric shock, injury and/or machine malfunctioning:

- Places subject to rain/moisture, or places subject to high humidity.
- Places subject to direct sunlight, or places subject to extremely hot or cold temperatures to ensure that it is used within the specified operating range.
- Places where inflammable gas may be present or in the vicinity of highly inflammable/volatile chemicals or items that can easily catch fire
- On unstable or sloped surfaces. The machine may topple or cause unforeseen accidents.
- Vicinity of fire exits, fire extinguishers etc that may block/prevent safety measures

IMPORTANT NOTE:

ALL REPAIRS MUST BE DONE TO ORIGINAL MANUFACTURER SPECIFICATIONS.

FAILURE TO DO SO VOID ALL WARRANTIES AND OPERATOR ASSUMES ALL RISKS.

Note: The contents of this manual may be updated without notice.

1. SPECIFICATIONS


Rated power supply: AC110V 50/60Hz; AC220V-240V 50/60Hz

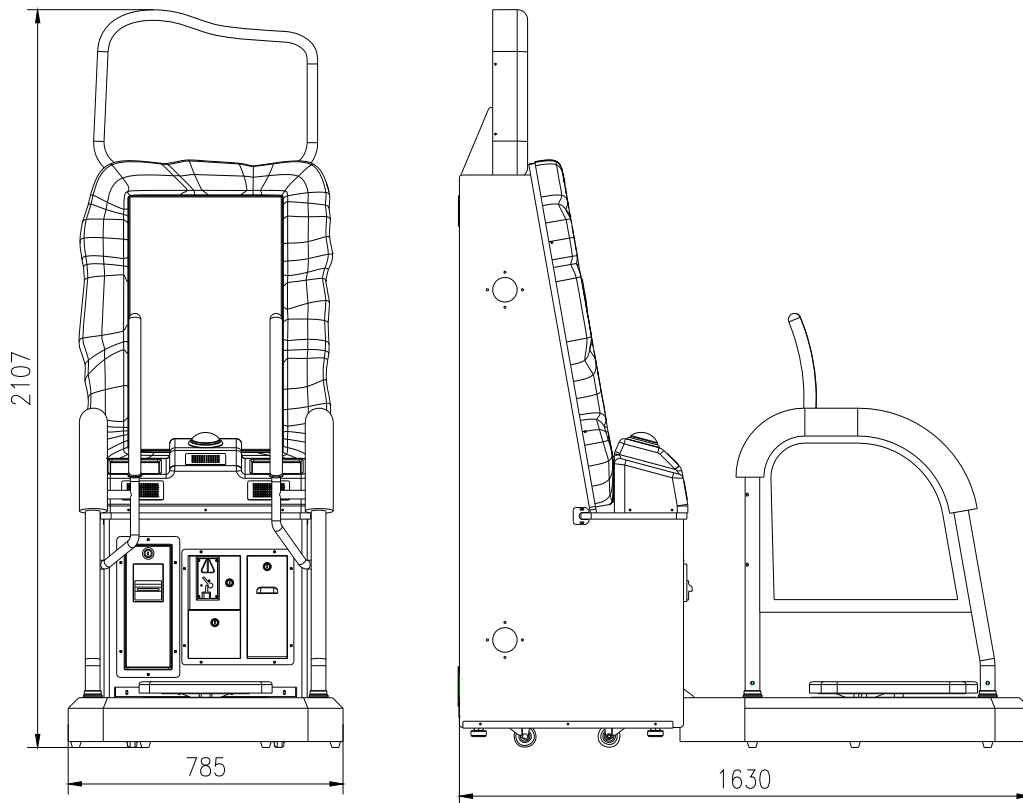
Min. Power consumption: 170W

Max. Power consumption: 220W

Dimensions: W1630×D785×H2107 (mm)

Weight: Approximately 180kg

 **NOTICE:** After turning off the game, please wait at least 1 minute before restarting again.









Note: Game parameters are subject to change without notice.

2. PACKAGE CONTENTS







Open the package and make sure all the items are included:

- 1 x Body Assembly
- Following accessories

For 110V area:

NO.	Part NO.	Code No.	Name	Spec.	Qty	Illustration
1	S132-421-000	25300172002	Key	171B	2	
2	S132-471-000	25300171002	Key	171	2	
3	S132-468-000	21901000013	Fuse	Φ5×20mm T10A 250VAC	1	
4	S132-729-000	41440000100	Manual	English	1	
5	S132-419-000	23301000001	Power cord	10A/250V 1.8M	1	
6	S132-423-000	21501000046	Sensor	OJ310201	1	
7	S132-470-000	41300000004	Memory stick	4G	1	

For 220V area:

NO.	Part NO.	Code No.	Name	Spec.	Qty	Illustration
1	S132-421-000	25300172002	Key	171B	2	
2	S132-471-000	25300171002	Key	171	2	
3	S132-420-000	21901000012	Fuse	Φ5×20mm T5A 250VAC	1	
4	S132-729-000	41440000100	Manual	English	1	
5	S132-419-000	23301000001	Power cord	10A/250V 1.8M	1	
6	S132-423-000	21501000046	Sensor	OJ310201	1	
7	S132-470-000	41300000004	Memory stick	4G	1	

If any items are found to be missing, please contact your sales representative for help immediately.

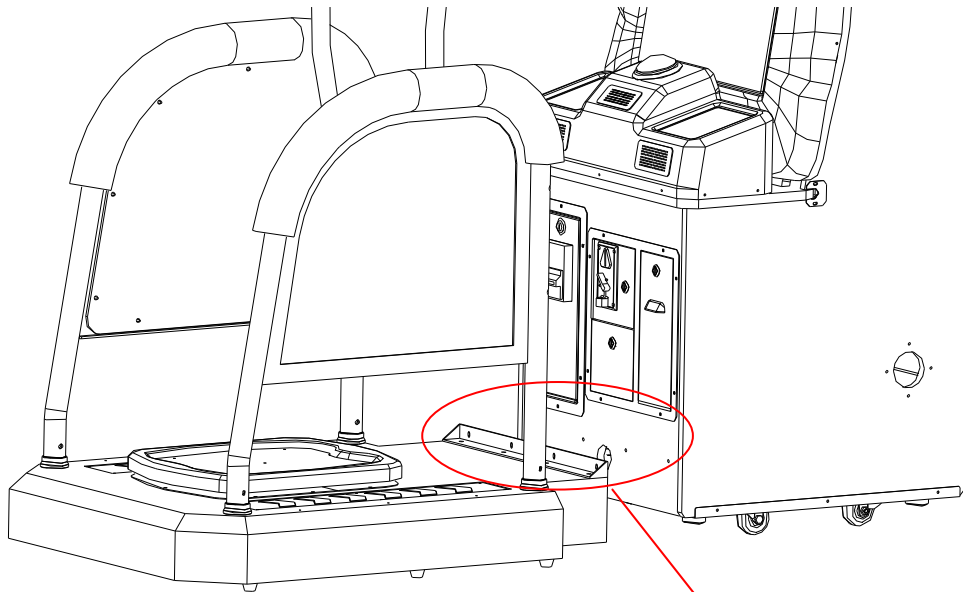
NOTE: Part models are subject to change without notice.

3. PART NAME

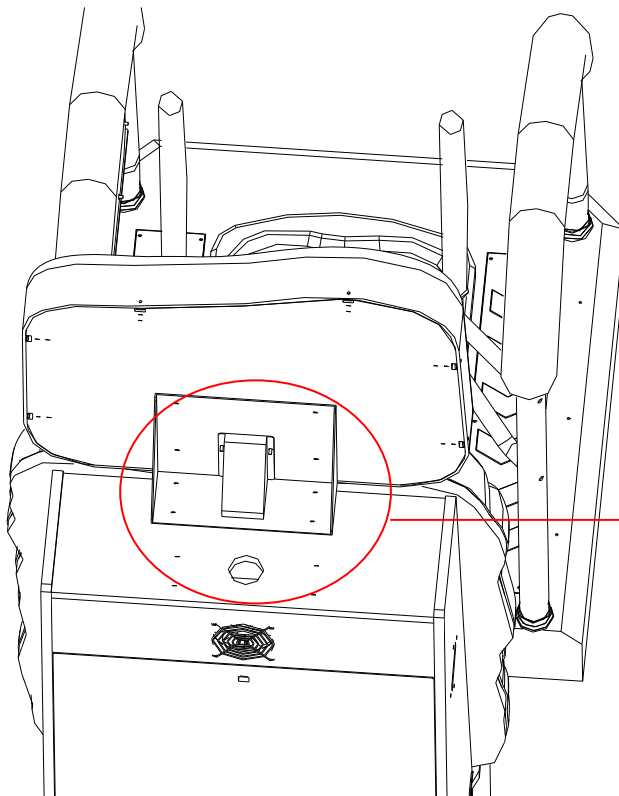


4. SET UP & INSTALLATION

4-1 Cabinet Setup



Connect the cable and move the pedal panel close to the machine. Use 4pcs of M5x12 cross recessed sunk head screw to fix it.



Fix the marquee on the top with 4pcs of M5x20Cross recessed sunk head screw.

! This product is an indoor game machine. Do not install outdoors.

- Refer to IMPORTANT SAFETY INSTRUCTIONS (Pg. 2) for places to avoid
- Place the unit on a dry level surface
- Ventilation openings in the back of the unit must not be obstructed by objects or by wall.

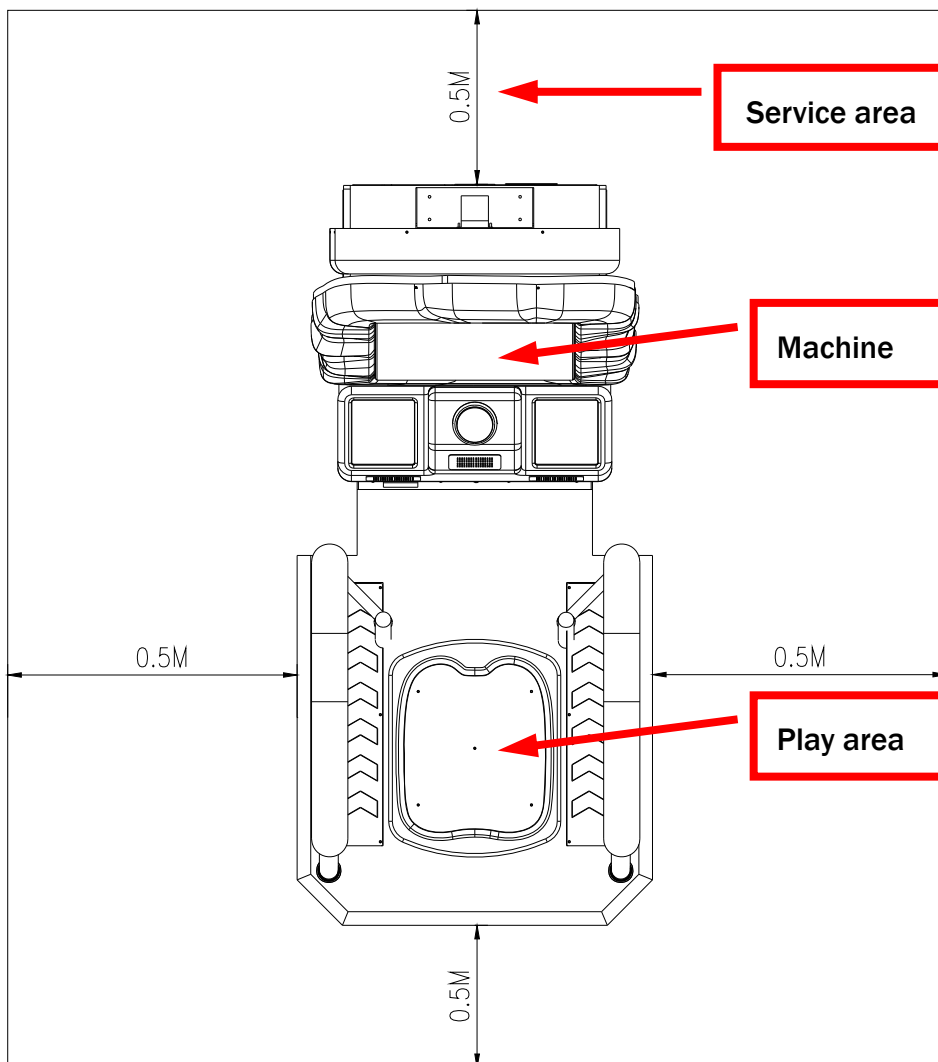
4.2 Play Zone

This machine requires space for playing and for maintenance as shown below.

Leave space around the game upon installation:

Service Area: 50cm

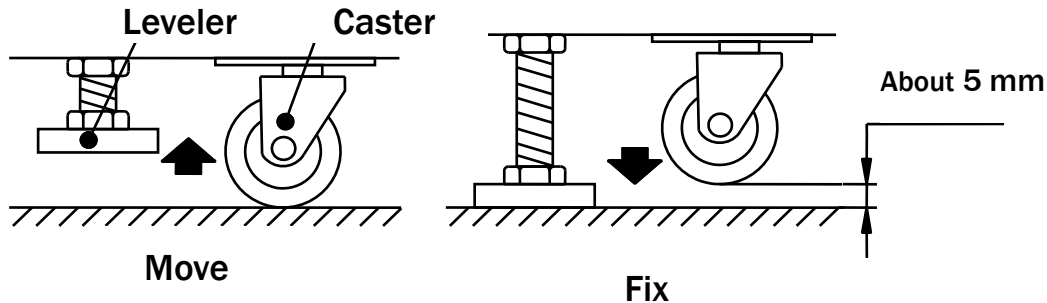
Play Area: 50cm



4.3 Level Adjustment

Install this machine on a flat surface. Adjust levers to lift casters off the ground to level the game. If the game is installed on an unsuitable floor, it could cause game malfunction.

To secure the game, adjust the Leveler down until it touches the floor, lifting the casters off the ground by 5mm. Repeat the same for all levelers.

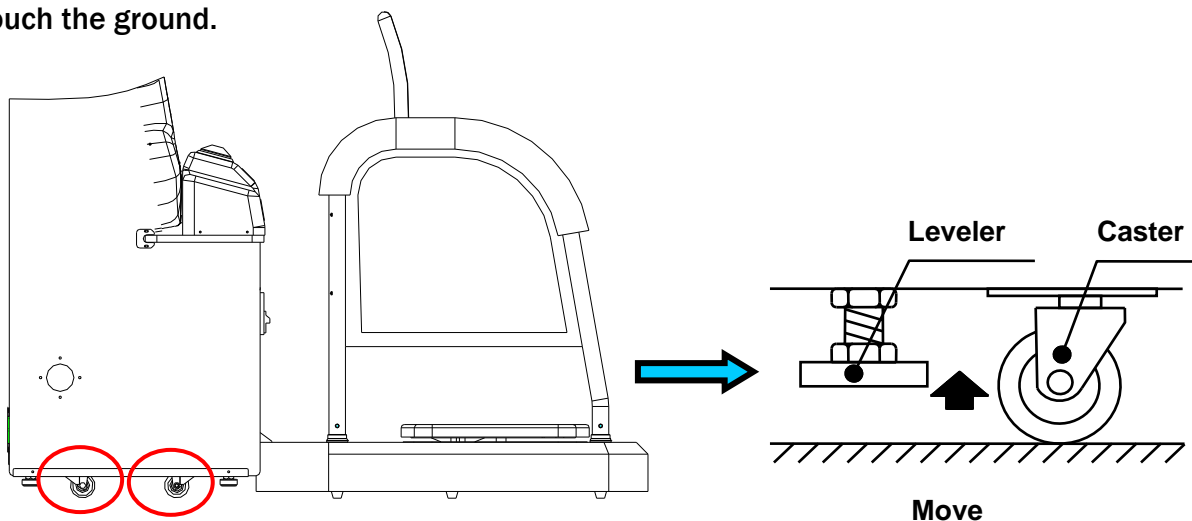


NOTICE

Make sure the machine is level with the ground and all the adjustable legs should stick to the floor closely.

4.4 Transporting the Machine


If you need to move the game, adjust the levelers back to an “up” position so the casters touch the ground.



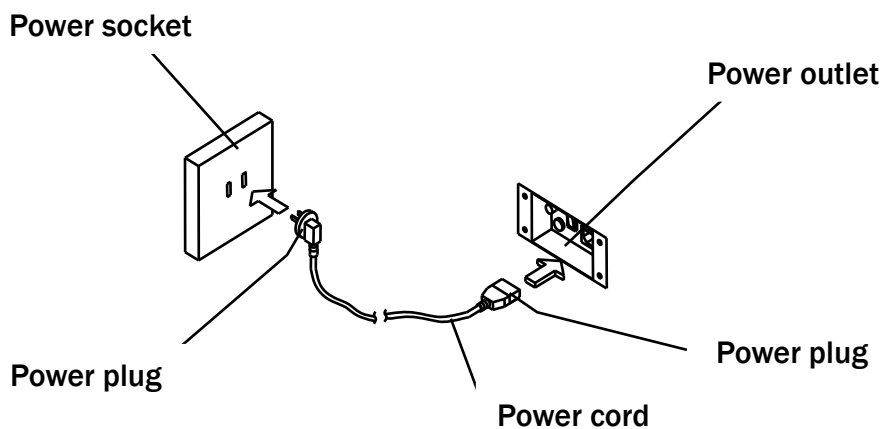
NOTICE

- Be careful not to damage the machine during transport.
- The machine should be handled with care when bringing it down from a higher level.
- Always unplug the game before moving.
- Keep the machine in upright position during transport.
- For longer distance transport, package the game properly to prevent damages.

4.5 Connecting Power

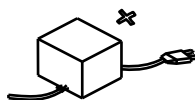
 **WARNING:** Check the voltage rating before you connect the equipment to an electrical outlet to ensure that the required voltage and frequency match the available power source. Please refer the label of the machine.

- Do not plug the equipment power cables into an electrical outlet if the power cable is damaged.
- Avoid putting many loads on one electrical outlet as it could generate heat and fire resulting from overload.
- Connect the grounding conductor to the earth terminal (GND):

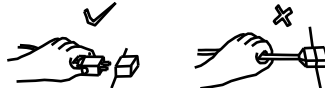


 **WARNING**

Ensure no heavy objects rest on the power cord. Check to make sure the game cabinet does not sit on the power cord as this could damage the cord and become hazardous.



To disconnect the game, grip the plug and pull it from the wall outlet. Never pull by the cord.



To prevent electric shock, do not touch the power plug when hand is wet.



Ensure that nothing rests on the power cord and that it is not located where it can be stepped on or tripped over.

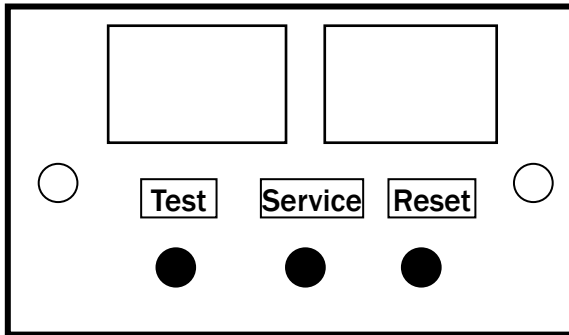


5. HOW TO PLAY



6. GAME OPTION

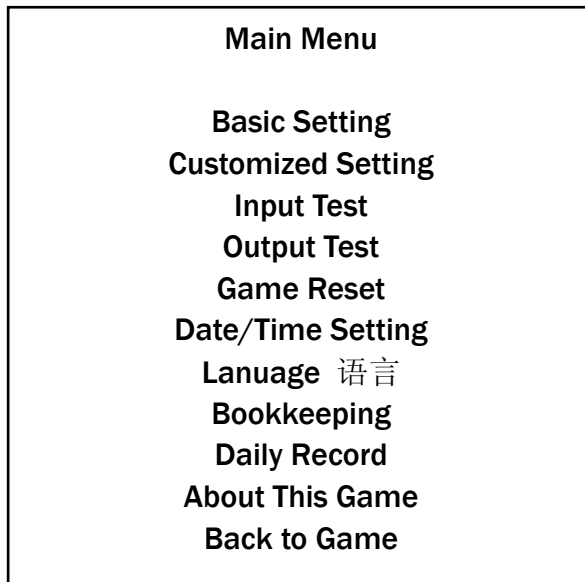
6.1 Adjustment button instruction



Open the coin door there is a meter panel. Press test button to get into the setting menu.

6.2 Setting menu

6.2.1 Main Menu



6.2.2 Basic Setting

Free Play	OFF
Tickets Out	ON
Demo Music	ON
Memory Save	ON
Volume	10
Coins Per Game	1
Lap count	1
Out of Ticket	call attendant
Back & Save	
Back	

6.2.3 Customized Setting

Fixed Tick	0
Divided by	OFF
Score for one ticket	50
The first win tickets	3
The second win tickets	2
The third win tickets	1
Mercy Ticket	0
Back & Save	
Back	

6.2.4 Input Test

1P Coin	NO/OFF
2P Coin	NO/OFF
1P Start Button	NO/OFF
2P Start Button	NO/OFF
1P Location AD	0
2p Location AD	1
Wheel POT1	0~255
Wheel POT2	0~255
Back	

6.2.5 Output Test

1P Ticket Drive
2P Ticket Drive
1P Start Button Light
2P Start Button Light
1P Electric Fan
2P Electric Fan
Back

6.2.6 Game reset

Factory restore
Reset Basic Setting
Reset Customized Setting
Clear all records
Clear owed ticket
Clear unused coin
Back

6.2.7 Date/Time setting

Year	2013
Month	8
Day	27
Hour	15
Minute	22
Second	22
Back & Save	
Back	

6.2.8 Bookkeeping

Player	Coin	Tickets	Payout
1	0	0	0
2	0	0	0
Sum	0	0	0
Back			
Non Resettable points			
Non resettable tickets			

6.2.9 Daily Record

Date	Weekday	RunTime	Coins	Tickets	Payout
2013-8-27	SAT	00:10	0	0	0.00
Clear					
Back					

6.2.10 About this game

CPU
Mother board
HDD
RAM
Monitor
Screen
Version

7.3 Problem Analysis and Solution

Problem	Reason	Solution
Plugged machine without reaction	<ol style="list-style-type: none"> 1.Incongruent power 2. leakage protection switch 3. No 110v voltage 	<ol style="list-style-type: none"> 1.Whether power is accord with the machine 2.Detecting leakage switch is off, please turn on 3.Change power voltage
After electrify, hear WINDOWS startup voice but no game interface display and blank screen	<ol style="list-style-type: none"> 1.VGA holding line is loosen 2.Monitor damaged 3.Games reporting error 	<ol style="list-style-type: none"> 1. Check PC VGA holding wire is loosen, If loose to pull plug this line .If it's not this port problem, continue to check display VGA signal wire is loose. 2.Change monitor , if monitor is damaged, please dial this No.: 4006-020-321. 3. Update the game again
The power on ,display blue-screen and no sound	<ol style="list-style-type: none"> 1.PC power is loosen 2. VGA holding wire connects PC and monitor is loosen 3. PC video card loosen 4. PC on safeguard mode 	<ol style="list-style-type: none"> 1. Check PC power is loosen 2. Check VGA holding wire connects PC and monitor is loosen 3.Take apart PC cover, insert video card again. 4.Open front cover, if boot lamp has been flash, press start button for 30 seconds, restart again then .If you cannot solve problems, Please dial this No.:8008108888
Operation can appear system halted sometimes	<ol style="list-style-type: none"> 1. video card loosen or bad connection 2. PC crash 	<ol style="list-style-type: none"> 1. Insert video card again 2. Restart or system restore
Coin mech. No reaction	<ol style="list-style-type: none"> 1.Coin mech. damaged 2.holding wire loosen 3.No DC12V 4.IO control board damaged 	<ol style="list-style-type: none"> 1. Change coin mech. 2. check holding line is loosen 3. change switching voltage 4. change IO control board

Problem	Reason	Solution
Can play the game but there was no voice	<ol style="list-style-type: none"> 1. POT off 2. audio line is loosen 3. amplifier is damaged 4. speaker is damaged 	<ol style="list-style-type: none"> 1. Adapt the POT 2. Check audio line is loosen of PC on picture 1 3. Send to factory to repair 4. change a speaker
The power is on ,PC, display, amplifier is normal, but could not enter the game screen	<ol style="list-style-type: none"> 1. VGA serial port is loosen 2. IO control board is damaged 3. Dongle is damaged 	<ol style="list-style-type: none"> 1. Check PC and IO control board's VGA serial is loosen 2. Change IO control board 3. Change dongle
The interface bright lights didn't work	<ol style="list-style-type: none"> 1. DC12V connecting line is loosen 2. switching voltage is damaged 3. DC12V connecting line is short circuit 4. light control panel is damaged 	<ol style="list-style-type: none"> 1. check 12V connecting line is loosen 2. change SW power 3. check 12Vconnecting line is short circuit 4. change light control board

7.4 Coin Mech. Instruction

1. Spec.:

Applicable coins diameter: 21mm ~28mm

Apply thickness of coins: 1.7mm ~2.0mm

Operating voltage: DC +12V

Operating temperature: -15°C ~+75°C

2.Usage:

a. Insert coins into groove you need.

b. Cooperate the need with machine of receive signal to inset coins. Changing-over three time switches—fast, medium, and slow, but the “medium” is the factory settings.

c. VR knob is to adjust the coins 'sensitivity, clockwise (+) to spin is loose, otherwise, tight.

Adjust VR knob according to any kinds of coin, no coin or less coin, towards to (+), otherwise, towards to(-).

8. MAINTENANCE & INSPECTION

8.1 Safety Check

Check the points listed before operating the machine. These checks are necessary for safe machine operation:

1. Try to run the game before operation each day.
2. Conduct monthly routine checks of game components ensure good working condition
3. Check the machine regularly for dust and clean when necessary.

Note: Parts and components require preventative maintenance to be kept running smoothly

8.2 Handling Precautions

When installing or inspecting the machine, be very careful of the following points and pay attention to ensure that the player can enjoy the game safely.

Non-compliance with the following points or inappropriate handling running counter to the cautionary matters herein stated can cause personal injury or damage to the machine

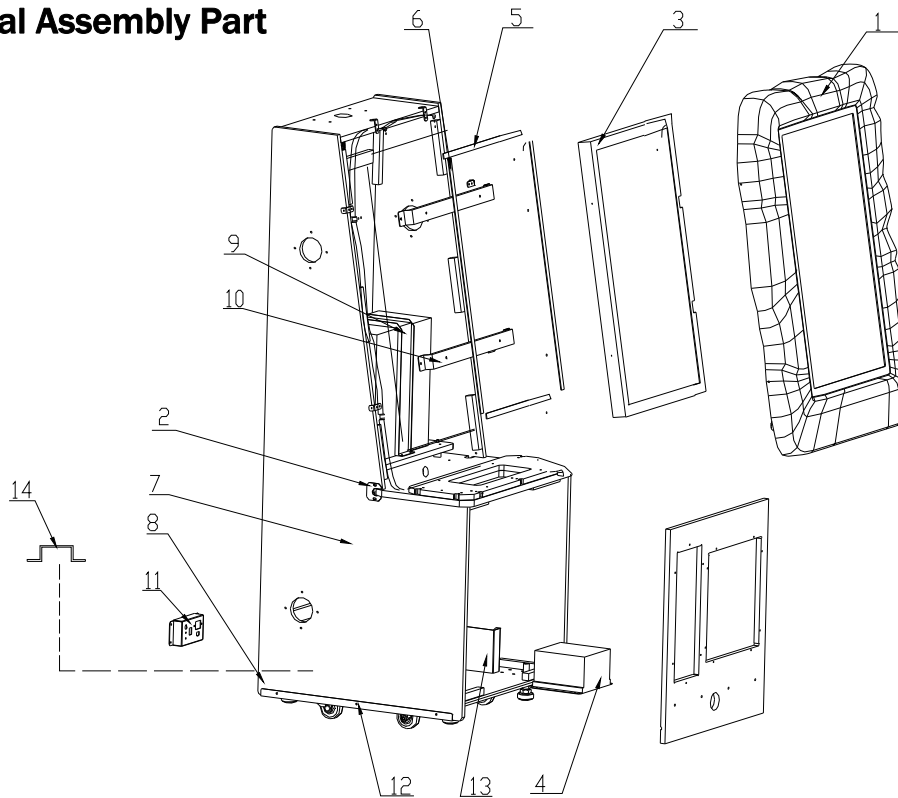


WARNING

- Before servicing the machine, be sure to turn power off. Servicing without turning the power off can cause electric shock or short circuit.
- To avoid electric shock or short circuit, do not plug then unplug the power quickly
- Do not expose power cords and earth wires, these are susceptible to damage.
- Damaged cords and wires can cause electric shock or short circuit and should be replaced immediately.
- When or after installing the product, avoid pulling the power cord to prevent unnecessary wear and tear. Use the power button to disconnect power.
- In case the power cord is damaged, ask for replacement through where the product was purchased from or replace locally. Continued usage of damaged cord can cause fire, electric shock or leakage.
- Perform grounding appropriately. Inappropriate grounding can cause electric shock.
- Use fuses that meet specified rating. Fuses exceeding can cause an electric shock.
- Should a problem occur, turn off the power immediately and stop operating the machine. Unplug the power cord of the service outlet. Operating the machine without correcting the problem may cause a fire or injuries.
- Insert the power plug securely into the outlet. Poor contact may cause overheating, resulting in fire or burns.
- To ensure the warning labels attached on the machine are visible and legible, install the machine in a well-lit location, and keep the labels clean at all times. Make sure the labels are not hidden behind other game machines.

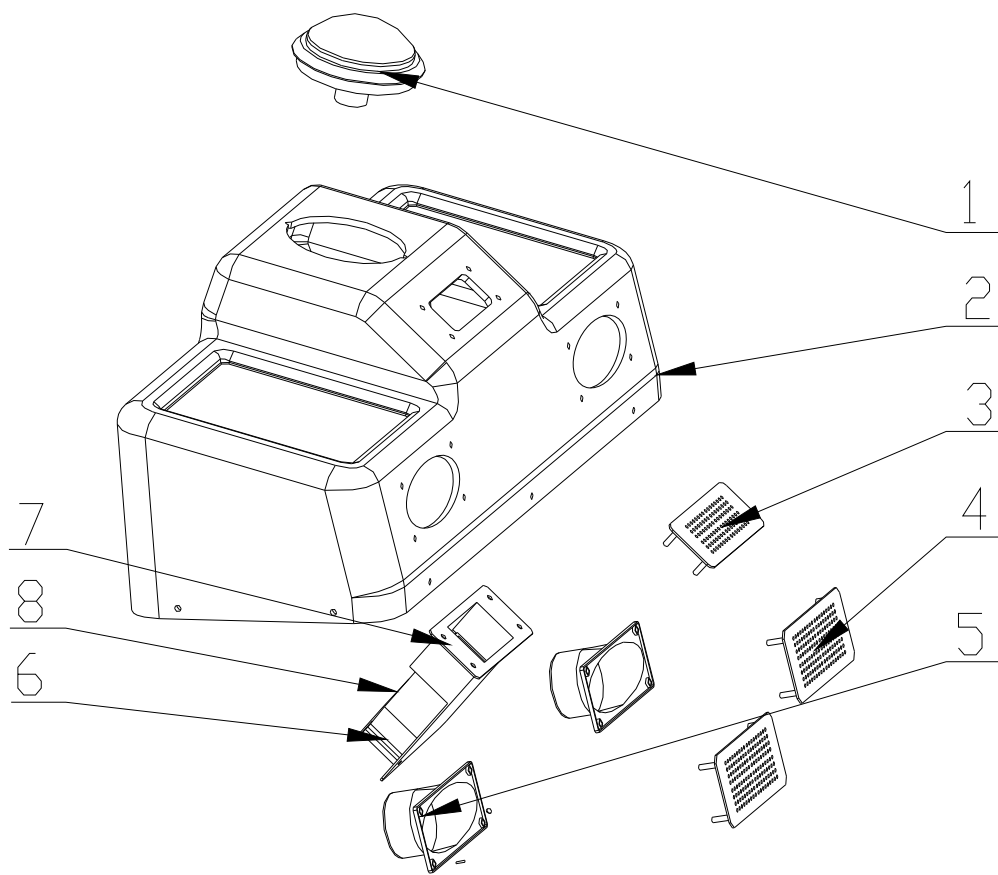
9. OVERALL CONSTRUCTION

9.1 General Assembly Part



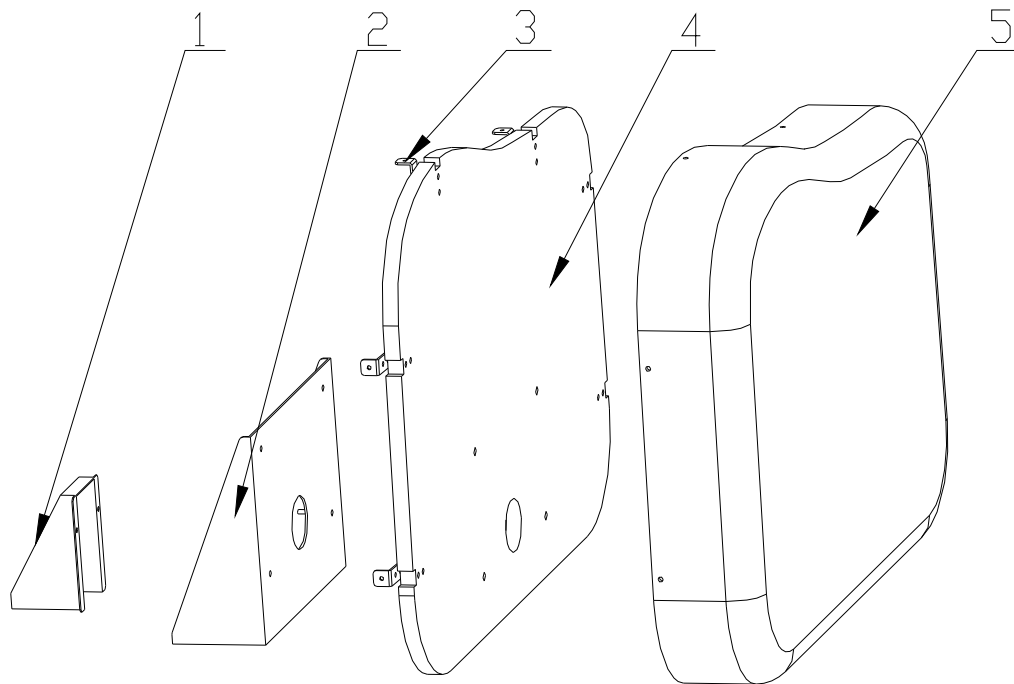
No.	Part No.	Code No.	Name	SPEC./Material	Qty
1	S132-112-000	29941503001	Monitor cover assy.	White plastic	1
2	S132-179-000	20241503005	Light belt plate	ø1.5 blue	2
3	S132-436-000	21201032004	Monitor	32"	1
4	S132-175-000	26000032000	PC power bracket	Metal	1
5	S132-106-000	20641503005	Monitor vertical strip	Black EVA plate	2
6	S132-107-000	20641503007	Monitor horizontal strip	Black EVA plate	2
7	S132-176-000	26000055000	Dongle bracket	Metal	1
	S132-432-000	21107020036	Dongle	HASP HL PRO	1
8	S132-170-000	20241503004	Cabinet back protected plate	ø1.2 Black	1
9	S132-104-000	20241503034	PC bracket	Metal	1
10	S132-105-000	20241503035	Monitor mounted plate	Metal	2
11	S132-171-000	26000042000	Power outlet	Assembly	1
12	S132-169-000	20241503003	Side protected plate	Q235	2
13	S132-178-000	26000036000	Ticket bin	Q235	1
14	S132-185-000	20241503045	Power fixed plate		1

9.2 Control Panel Assembly Part



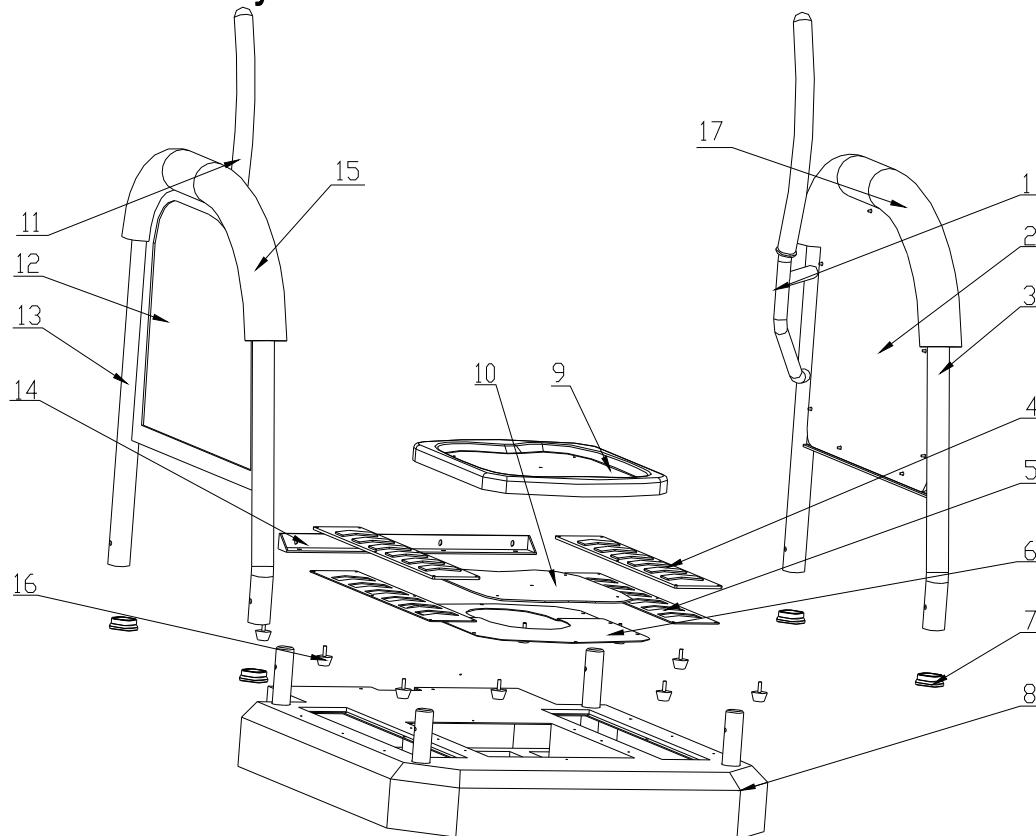
No.	Part No.	Code No.	Name	SPEC./Material	Qty
1	S132-445-000	22401000004	Start button	White Φ 100	1
2	S132-113-000	20641503012	Control panel cover	Yellow ABS	1
3	S132-115-000	20241503010	Air outlet	δ 1.5 Yellow	1
4	S132-114-000	20241503009	Speaker drill	δ 1.5 Yellow	2
5	S132-458-000	22801000017	Speaker	50×120 8 Ω 10W	2
6	S132-408-000	23401000023	Blower	BA10033B12S/9733/ 12V/2.85A/	1
7	S132-116-000	20241503032	Blower mounting plate	Stainless steel 201	1
8	S132-117-000	20241503011	Blower cover plate	Blower cover plate	1

9.3 Control Panel Assembly Part



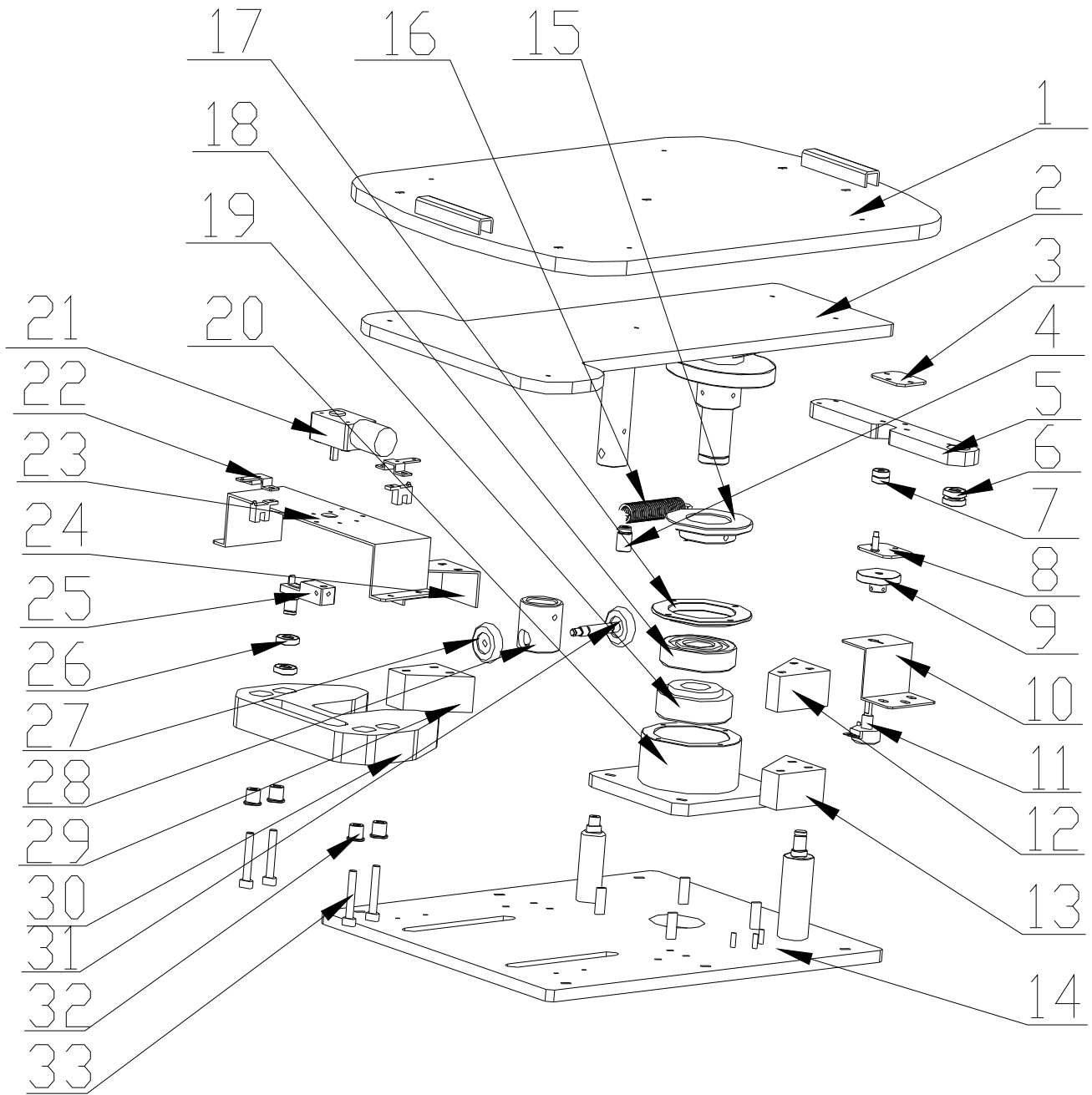
No.	Part No.	Code No.	Name	SPEC./Material	Qty
1	S132-111-000	20241503008	Marquee back cover plate	Q235	1
2	S132-110-000	20241503007	Marquee bracket	Q235	1
3	S132-108-000	20241503036	Marquee holder	Metal	6
4	S132-518-000	20341503017	Marquee mounting plate	MDF laminated plate	1
5	S132-701-000	20541503A001	Marquee	δ5 clear plastic	1

9.4 Handrail Assembly Part



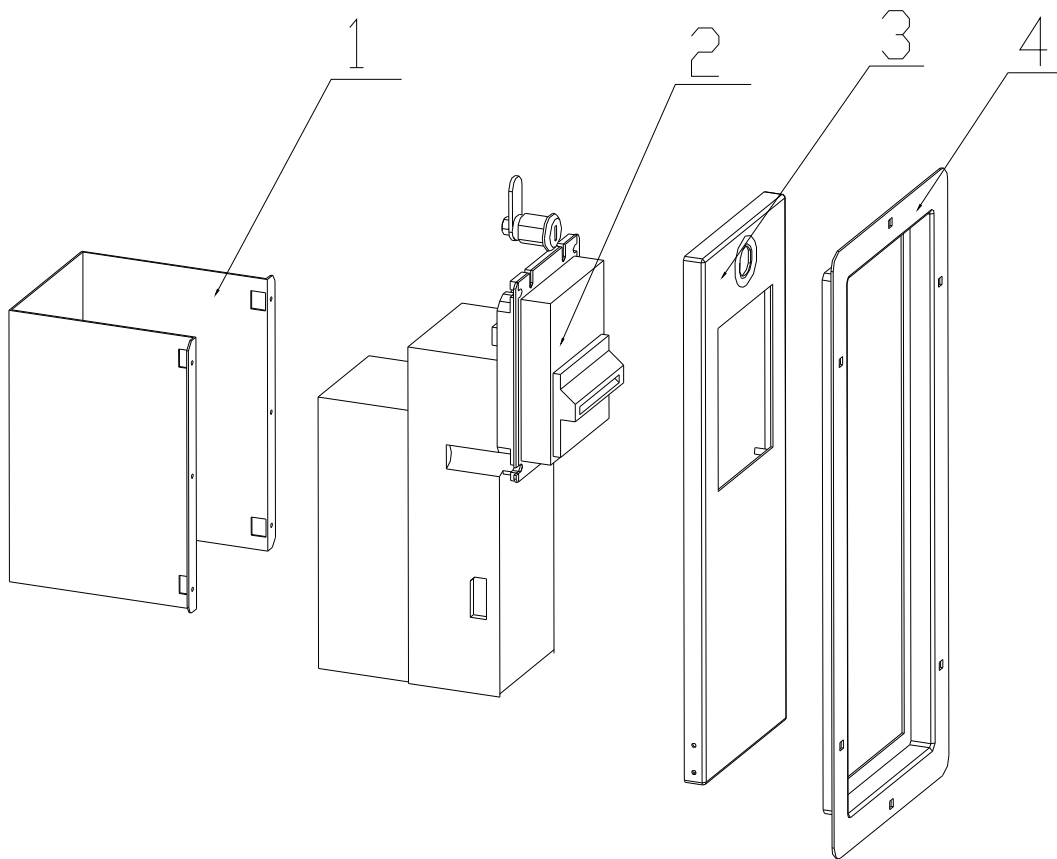
No.	Part No.	Code No.	Name	SPEC./Material	Qty
1	S132-127-000	20641503002	Right handle cover	PU	1
2	S132-713-000	20541503007	Right handle decal	δ6 Clear PC	1
3	S132-123-000	20241503013	Right handrail	Q235	1
4	S132-131-000	20241503017	Platform light plate	δ2 blue	2
5	S132-130-000	20641503004	Platform plate	White plastic	2
6	S132-154-000	20241503028	Mechanism front cover plate	δ1.5 blue	1
	S132-155-000	20241503029	Mechanism rear cover plate	δ1.5 blue	1
7	S132-118-000	20641501018	Handrail cover	ABS	4
8	S132-119-000	20241503031	Platform base	Blue	1
9	S132-157-000	20641503013	Skateboard	Yellow ABS	1
10	S132-158-000	20641503009	Antiskid plate	Antiskid plate	1
11	S132-125-000	20641503001	Left handle cover	PU	1
12	S132-712-000	20541503006	Left handle decal	δ6 Clear PC	1
13	S132-120-000	20241503012	Left handrail	Q235	1
14	S132-129-000	20241503016	Platform connected plate	δ2.5 blue	1
15	S132-121-000	20641503010	Left handrail cover	Red leather/foam	1
16	S132-409-000	20641503016	Foot pad	Rubber assy.	12
17	S132-124-000	20641503011	Right handrail cover	Red leather/foam	1

9.5 Skateboard Assembly Part



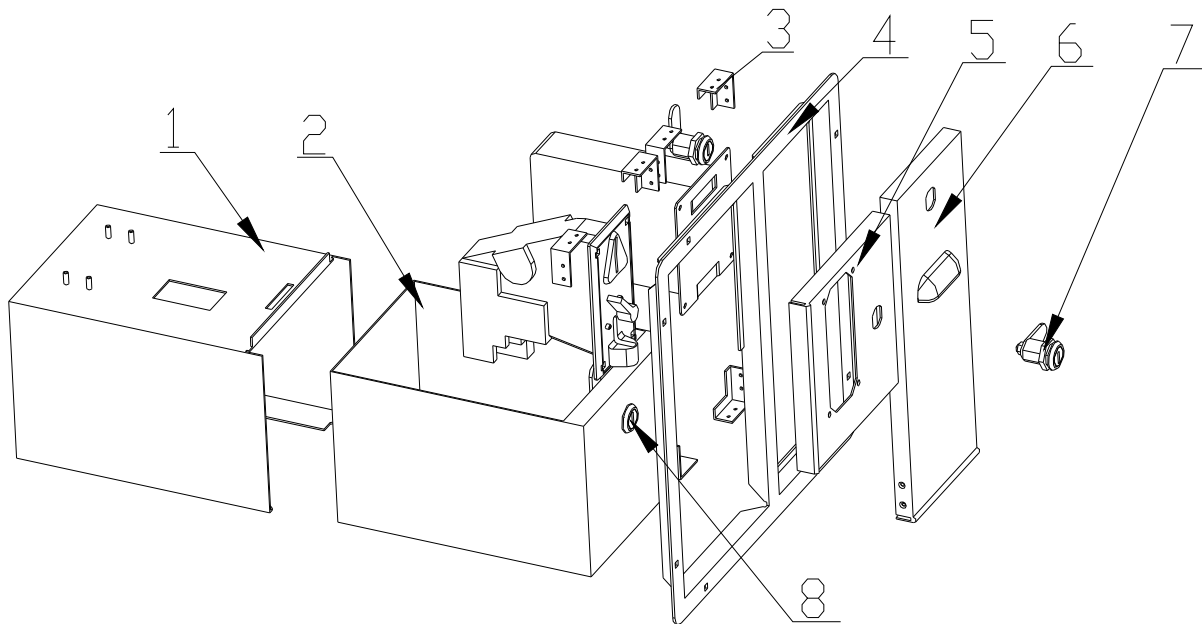
No.	Part No.	Code No.	Name	SPEC./Material	Qty
1	S132-156-000	20241503030	Skateboard plate	Q235	1
2	S132-135-000	20241503019	Spindle	Q235	1
3	S132-141-000	20241503023	BD. plate	Q235	1
4	S132-142-000	20241503024	Spring plate	Q235	1
5	S132-139-000	20241503021	Clip plate	Q235	1
6	S132-414-000	20106000197	Deep groove ball BR.	61800-2Z	2
7	S132-413-000	20106000011	Deep groove ball BR.	605ZZ	2
8	S132-140-000	20241503022	BD. Supported plate	Q235	1
9	S132-148-000	20241503044	Driven gear	Aluminum	1
10	S132-147-000	20241503037	POT mounted plate	Metal	1
11	S132-437-000	22501000030	5K POT	RVQ24YN03 25F B502	1
12	S132-146-000	20241503026	R limited plate	Q235	1
13	S132-144-000	20641503015	Limited block	Poly urethane	1
14	S132-132-000	20241503018	Slide mech. base	Q235	1
15	S132-136-000	20241503043	Driving gear	Aluminum	1
16	S132-143-000	20241503042	Extension spring	Spring steel wire	2
17	S132-134-000	20241503002	BD. block	45#	1
18	S132-411-000	20106000208	Deep groove ball BR.	6305-2Z	1
19	S132-410-000	20106070123	Single row tapered	32305	1
20	S132-133-000	20241503001	BD. block	45#	1
21	S132-415-000	23404000098	DC motor	JL-38F520-225 12V 24RPM	1
22	S132-151-000	20241503039	Sensor mounted plate	Metal	2
	S132-448-000	21501000046	Sensor	OJ310201	3
23	S132-149-000	20241503038	Motor mounted plate	Metal	1
24	S132-145-000	20241503025	L limited plate	Q235	1
25	S132-150-000	20241503027	Shaft	Q235	1
26	S132-414-000	20106000197	Deep groove ball BR.	61800-2Z	2
27	S132-412-000	20106100114A	Nylon Bd.	626Z d=6 D=33.5 H=9	1
28	S132-137-000	20641503014	Anti-collision ring	Poly urethane	1
29	S132-144-000	20641503015	Limited block	Limited block	1
30	S132-152-000	20641503008	Sliding block	Black POM	1
31	S132-138-000	20241503020	Supporting shaft	Q235	1
32	S132-153-000	20241503040	Sleeve	Brass	4
33	S132-344-000	20101100185	Hexagon flat round head screws	Stainless steel	4

9.6 DBV Door Assembly Part



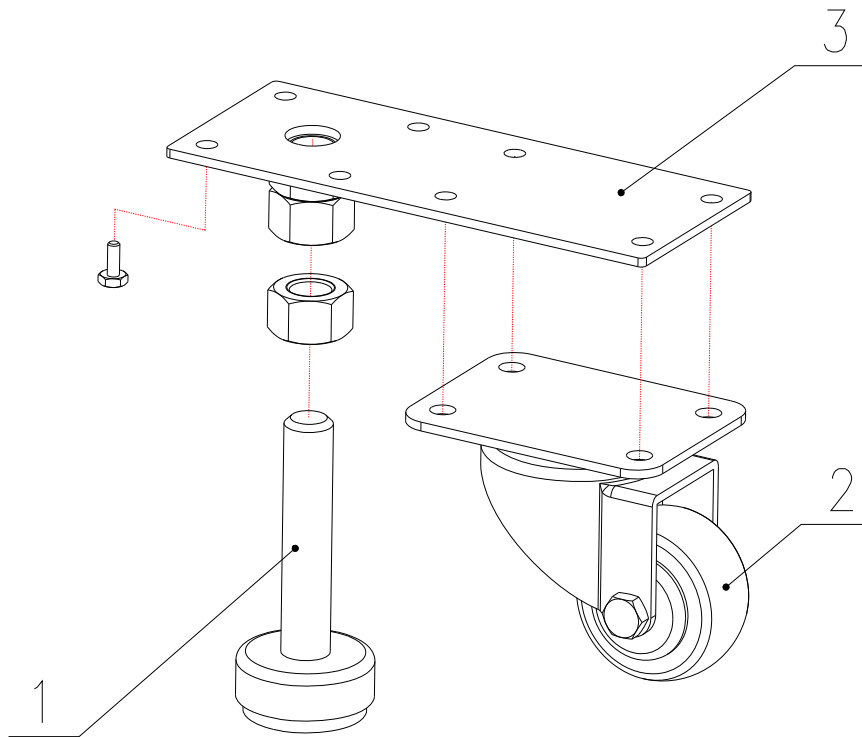
No.	Part No.	Code No.	Name	SPEC./Material	Qty
1	S132-184-000	20241501033	DBV protected plate	Q235	1
2	S132-182-000	20241501032	DBV entry cover	Q235	1
3	S132-183-000	20241501030	DBV door	Q235	1
4	S132-181-000	20241501029	DBV door frame	Q235	1

9.7 Coin Mech. Door Assembly Part



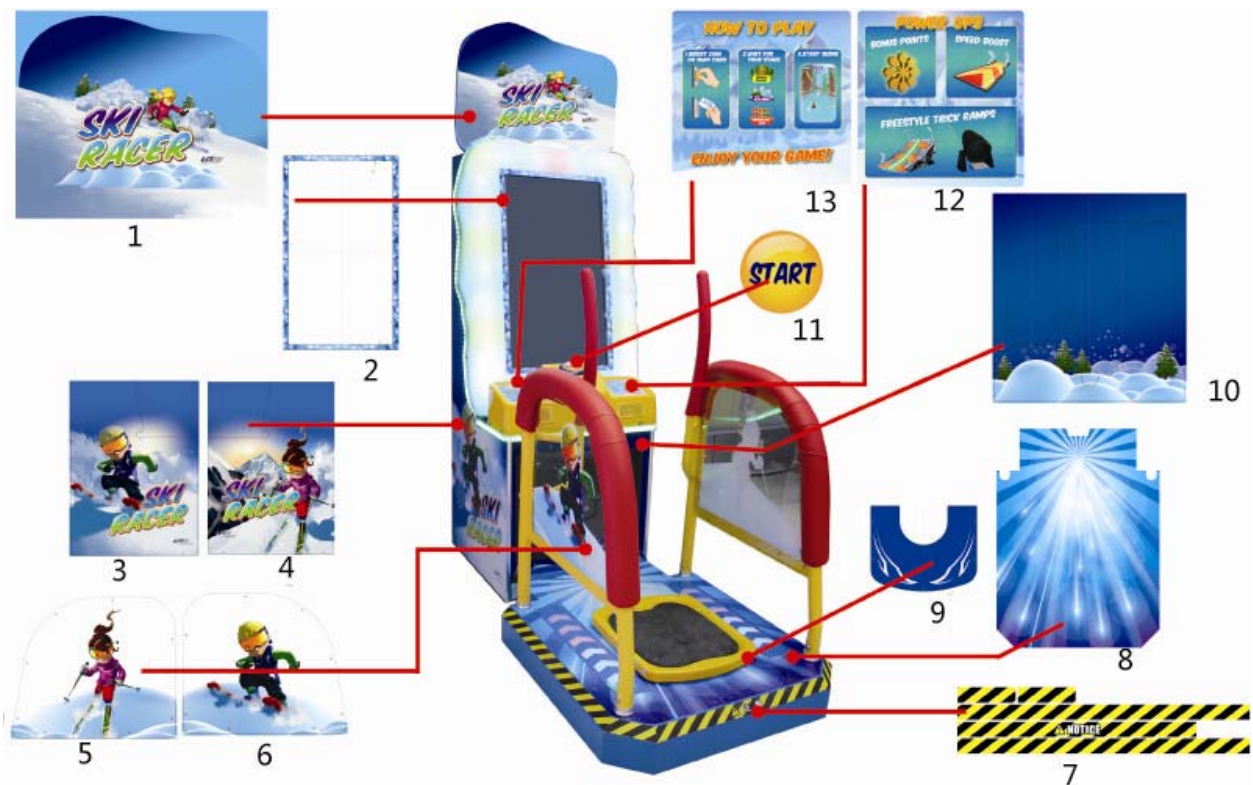
No.	Part No.	Code No.	Name	SPEC./Material	Qty
1	S132-164-000	26000056004	Coin box cover	Q235	1
2	S132-161-000	26000056005	Coin box	Q235	1
3	S132-167-000	26000056002	Cover bracket A	Q235	5
4	S132-160-000	26000056001	Door frame	Q235	1
5	S132-162-000	26000056006	Coin door	Q235	1
6	S132-163-000	26000056007	Ticket door	Q235	1
7	S132-403-000	25300171001	Lock	171	4
8	S132-416-000	25300172001	Lock	171B	2

9.8 Caster Assembly Part



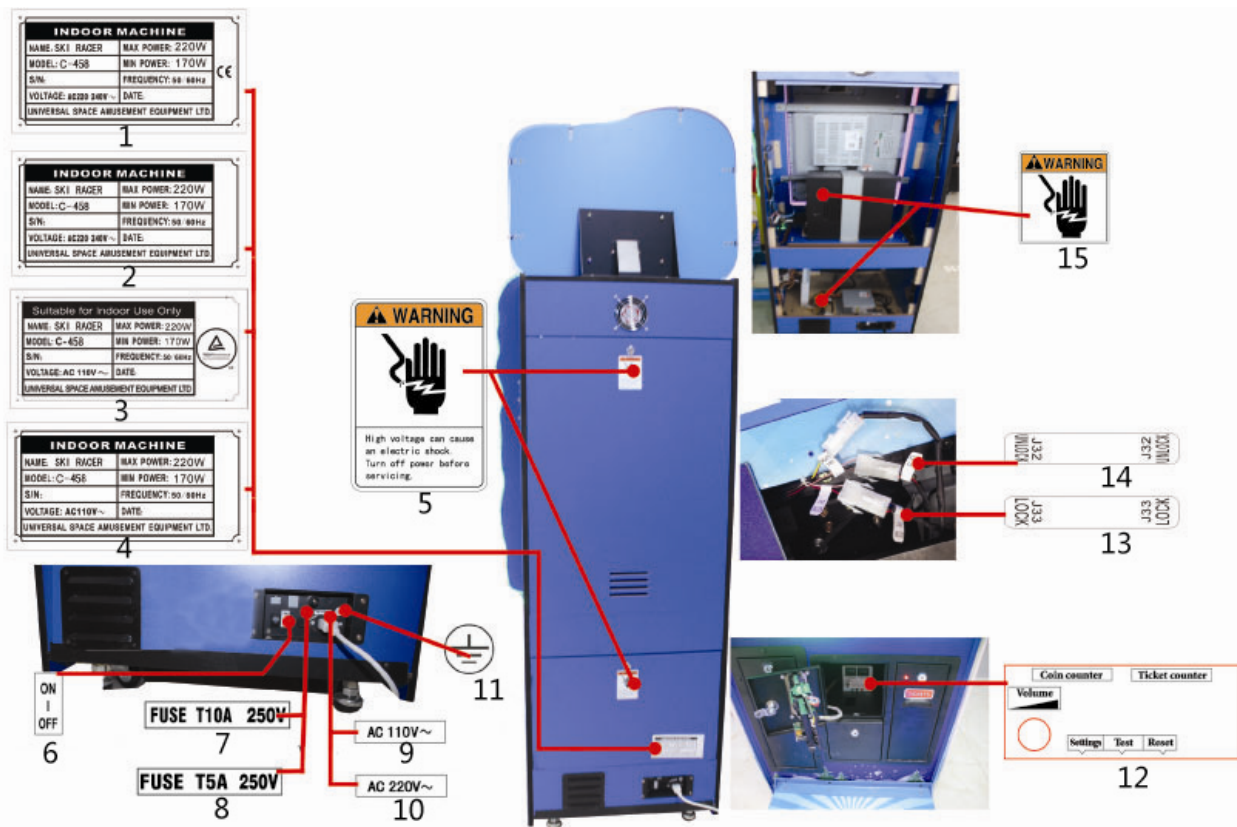
No.	Part No.	Code No.	Name	SPEC./Material	Qty
1	S132-102-000	26000008000	Leveller	Q235	4
2	S132-401-000	25501000056	Caster	3-2689-52	4
3	S132-101-000	26000010000	Caster bracket	Q235	4

9.9 Decal Part 1



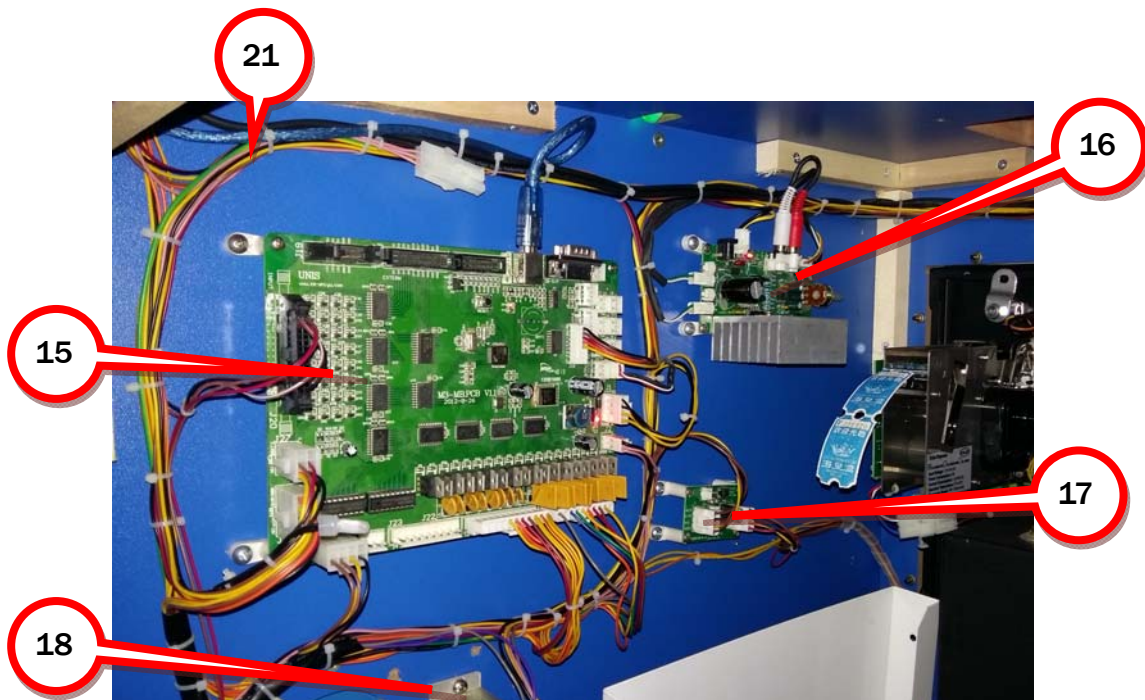
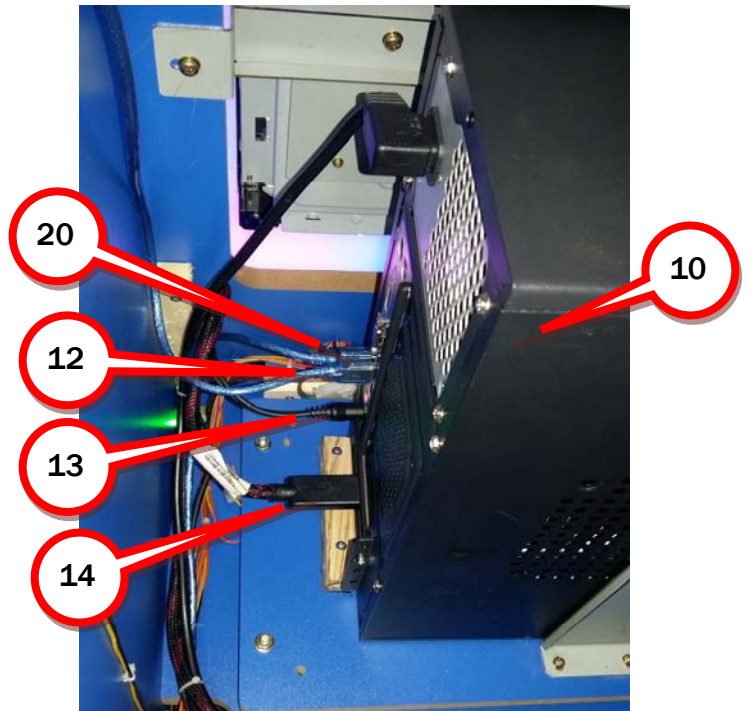
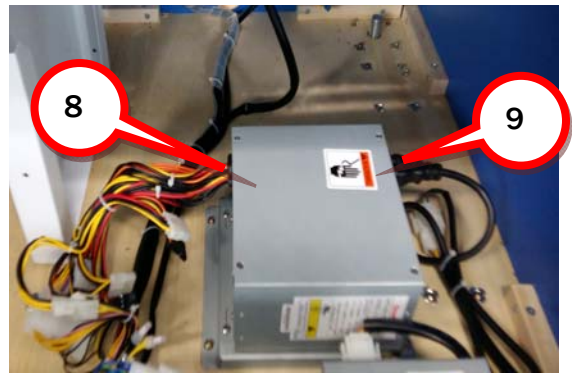
No.	Part No.	Code No.	Name	SPEC./Material	Qty
1	S132-701-000	20541503A001	Marquee	δ5 clear plastic	1
2	S132-717-000	20541503016	Monitor frame decal	δ5 clear plastic	1
3	S132-704-000	20541503A004	Left side decal	0.3 PVC reversed screen	1
4	S132-705-000	20541503A005	Right side decal	0.3 PVC reversed screen	1
5	S132-713-000	20541503007	Right handle decal	δ6 Clear PC	1
6	S132-712-000	20541503006	Left handle decal	δ6 Clear PC	1
7	S132-706-000	20541503A008	Platform warning decal	0.3 PVC reversed screen	1
8	S132-716-000	20541503013	Platform decal	0.3 PVC reversed screen	1
9	S132-715-000	20541503011	Skateboard back cover decal	0.3 PVC reversed screen	1
10	S132-714-000	20541503A009	Front door decal	0.3 PVC reversed screen	1
11	S132-707-000	20541503A012	Start button decal	0.3 PVC reversed screen	1
12	S132-703-000	20541503A003	Control panel decal R	0.3 PVC reversed screen	1
13	S132-702-000	20541503A002	Control panel decal L	0.3 PVC reversed screen	1

9.10 Decal Part 2



No.	Part No.	Code No.	Name	SPEC./Material	Qty
1	S132-711-000	20541503A017	CE 220V nameplate	1MM clear PVC	1
2	S132-709-000	20541503A015	Uncertified 220V nameplate	1MM clear PVC	1
3	S132-710-000	20541503A016	TUV 110V nameplate	1MM clear PVC	1
4	S132-708-000	20541503A014	Uncertified 110V nameplate	1MM clear PVC	1
5	S132-725-000	25600000037	Warning label L	PVC100u sticker	1
6	S132-721-000	25600000017	Power SW label	PVC100u sticker	1
7	S132-727-000	25600000077	Fuse label T10A/250V	PVC100u sticker	1
8	S132-726-000	25600000074	Fuse label T5A/250V	PVC100u sticker	1
9	S132-722-000	25600000071	110V label	PVC100u sticker	1
10	S132-723-000	25600000072	220V label	PVC100u sticker	1
11	S132-728-000	25600000091	GND label	PVC100u sticker	1
12	S132-718-000	20541503A018	Counter label	PVC100u sticker	1
13	S132-720-000	20541503A020	Lock off label	PVC100u sticker	2
14	S132-719-000	20541503A019	Lock on label	PVC100u sticker	2
15	S132-724-000	25600000036	Warning label S	PVC100u sticker	2

9.11 Electrical Part 1

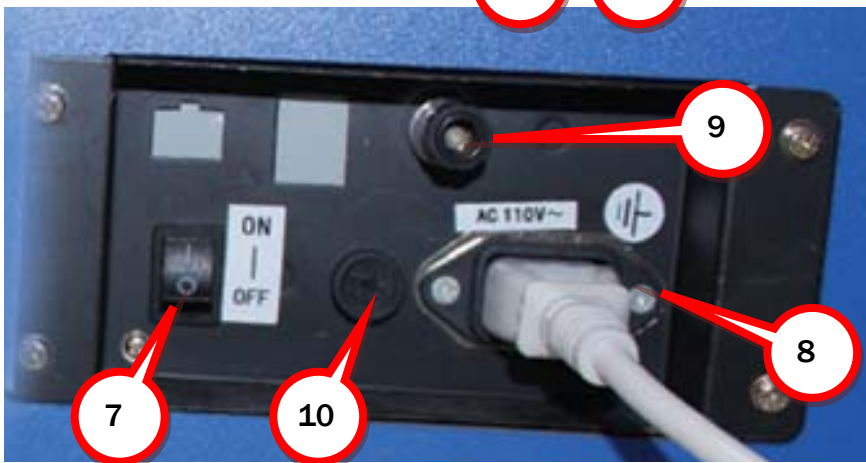
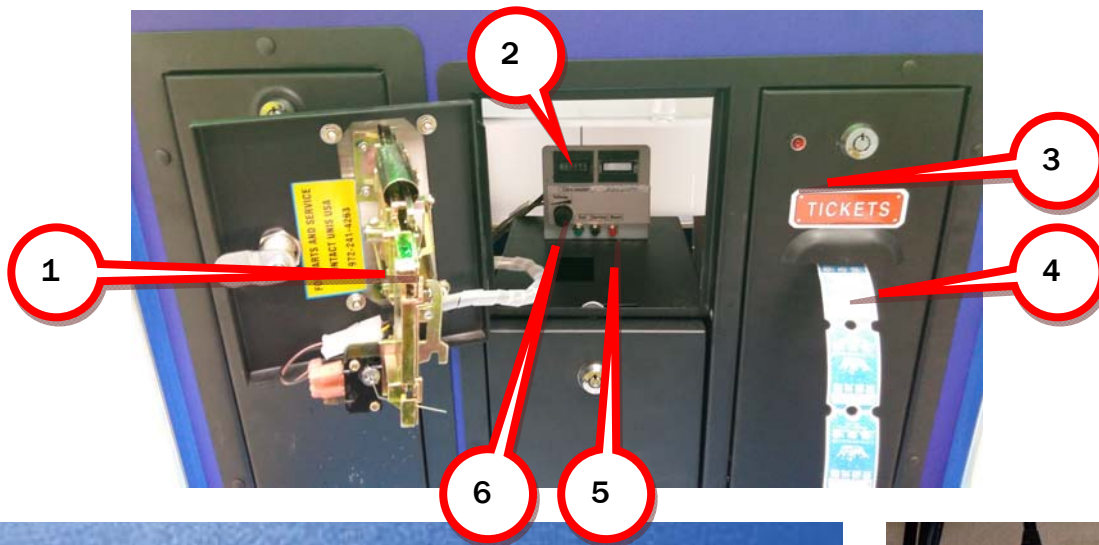


No.	Part No.	Code No.	Name	SPEC./Material	Qty
1	S132-456-000	22003080001	Marquee light	W5630-LC50cm-60z/m-DC12V	3
2	S132-434-000	22002016001	Monitor frame light	Monitor frame light	3
3	S132-436-000	21201032004	Monitor	32"	1
4	S132-447-000	22002013009	T-molding light	DC12V 3528LED 60pcs/m green	4.2
5	S132-458-000	22801000017	Speaker	50×120 8Ω10W	2
6	S132-445-000	22401000004	Start button	White Φ100	1
	S132-438-000	22003000018	Start button light	DC12V white 3LED	1
	S132-440-000	S132-440-000	Micro SW	BLM-S 3A-125/250VAC	
7	S132-444-000	20741108002	Platform light	HLJTC-JTLED.PCB(V1.0)	1
8	S132-443-000	21602000001	Power supply	BTX-3039(110V220V)	1
9	S132-425-000	23301050002	Power cord	3×0.75mm 0.5m	1
10	S132-439-000	21102000048A	PC	Lenovo industry 6300+2G+250 video card	1
11	S132-469-000	22702000003	Fan	3" 110V	2
	S132-441-000	22702000011	Fan drill	3"	2
12	S132-459-000	23304000021	USB cable	A/B type 1.5m	1
13	S132-460-000	23305000003	Audio cable	3.5 1.8M	1
14	S132-453-000	23307000020	DP-DVI cable	DP-DVI 1.8m	1
15	S132-424-000	29791300001	M3 main board	M3-MB.PCB V1.1 150×200mm	1
16	S132-442-000	22803000031	AMP	GOODCORE-25WD	1
17	S132-450-000	21712000001	Ticket converted board	TICK-CH.PCB	1
18	S132-452-000	20711413005	Motor breaking board	(JSH0265A)	1
19	S132-446-000	20710805005	LED strip light	LED48NC.PCB(green)45p csLED	3
20	S132-435-000	23304030001	USB extension cable	A type 1M (male-female)	1
21	S132-465-000	23309000193	Cable set		1

For 220V area:

11	S132-467-000	22702000004	Fan	3" 220V	2
----	--------------	-------------	-----	---------	---

9.12 Electrical Part 2

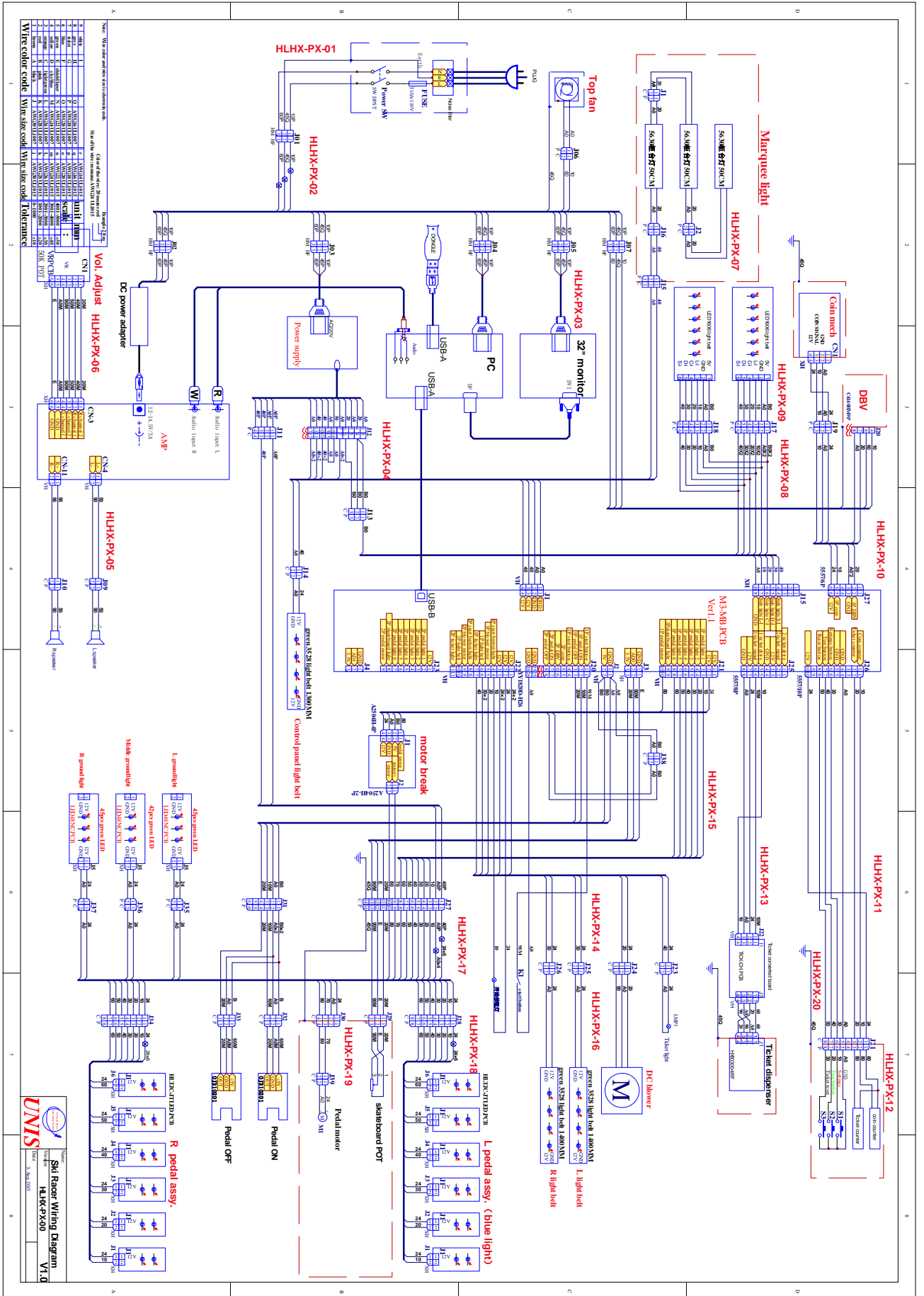


No.	Part No.	Code No.	Name	SPEC./Material	Qty
1	S132-457-000	22301000001	Coin mech	Comparator	1
2	S132-455-000	23000000005	Counter	C-012 DC12V	2
3	S132-454-000	22008010001	Ticket light	XD8DC12VR	1
4	S132-451-000	23100000005	Ticket dispenser	Ticket dispenser	1
5	S132-428-000	22402010002	Red button	PB:11C02R(red)	1
	S132-429-000	22402030002	Green button	PB:11C02R(green)	1
	S132-430-000	22402050001	Black button	PB:11C02R(black)	1
6	S132-427-000	21709000002	POT connected board	VR.PCB	1
	S132-433-000	22403000001	POT Knob	black	1
	S132-431-000	22501000033	POT	RB50K	1
7	S132-464-000	22601000005	Rocket SW	T125/55	1
8	S132-461-000	23201000001	Filter	YB10A1 10A/250V	1
9	S132-463-000	21412000001	Terminal	10A/15A/250V black	1
10	S132-468-000	21901000013	Fuse	Φ5×20mm T10A 250VAC	1
	S132-462-000	21902000006	Fuse socket	R3-11 110V/250V/10A	1
11	S132-449-000	21603020001	Adapter	DC14/15-3AGF	1

For 220V area:

10	S132-466-000	21901000012	Fuse	Φ5×20mm T5A 250VAC	1
----	--------------	-------------	------	--------------------	---



10. WIRING DIAGRAM





Have Questions? Contact us!

www.universal-space.com

 International Support Center	 USA Support Center
Tel: +1-905-477-2823 Fax: +1-905-477-2660 Email: service@universal-space.com (Contact: Clement Yau)	Tel: 972-241-4263 Fax: 214-919-4918 Email: tsnelling@unisusasupportcenter.com (Contact: Tim Snelling)