



SAFARI RANGER



Be Sure
to Read this
Manual
Before Use

Operation Manual

UIS[®]
UNIVERSAL SPACE

www.universal-space.com

CONTENT

Important Safety Instructions.....	2
1. SPECIFICATIONS.....	4
2. PACKAGE CONTENTS	5
3. PART NAMES	6
4. SET UP & INSTALLATION	7
5. HOW TO PLAY.....	10
6. GAME OPTION	11
7. ERROR MESSAGE AND RECOVERY.....	15
8. MAINTENANCE, INSPECTION.....	16
9. OVERALL CONSTRUCTION.....	17

Non-technical personnel who do not have technical knowledge and Expertise should refrain from performing such work that this manual require or perform tasks which are not explained in this manual. Failing to comply can cause severe accidents such as electric shock or other serious injuries. All repairs must be performed to original manufacturer specifications.

WARNING: To reduce the risk of fire, electric shock or personal injury, unplug or disconnect the machine from the power supply before servicing.

Thank you for purchasing **Safari Ranger** from Universal Space. We hope you enjoy the product.

This manual contains valuable information about how to operate and maintain your game machine properly and safely. It is intended for the owner and/or personnel in charge of product operation. Carefully read and understand the instructions.

If you need any help during installation and setup please utilize this manual and troubleshooting guide. If the product fails to function properly, *non-technical personnel should under no circumstance attempt to service the machine*. Contact your distributor or manufacturer for help.

Before use, please read **IMPORTANT SAFETY INSTRUCTIONS**.

IMPORTANT SAFETY INSTRUCTIONS

To ensure the safe usage of this product, carefully read and understand these instructions before operating your game.

Save these instructions for future reference.

Use this product only as described in this manual. Other uses not recommended may cause fire, electric shock or personal injury. Unplug the game from the outlet when not in use, when moving from one location to another, and before cleaning/servicing.

Explanations which require special attention are indicated by signs of warning. Depending on the potential hazardous degree, the terms: **NOTE**, **NOTICE**, and **WARNING** are used.

NOTE: A NOTE indicates useful hints or information about product usage.

NOTICE: A NOTICE indicates potential damage to product and how to avoid the problem.

WARNING: A WARNING indicates a potential for product damage or serious personal injury.

It is important to understand the meaning of the following HAZARD SIGNS before continuing:

High Voltage and Shock Hazard:

High voltage can cause electric shock.
Turn off/unplug power before servicing.



High Temperature Hazard:

This part may cause scalding.
Do not touch. Surface may be hot.



No Touching Hazard:

This part may be hot or can cause electric shock.
Do not touch.



Use the following safety guidelines to help ensure your own personal

safety and to help protect your equipment and surrounding environment from potential damage.



This product is an indoor game machine. Do not install outdoors.

Avoid installing in the following places to prevent fire, electric shock, injury and/or machine malfunctioning:

- Places subject to rain/moisture, or places subject to high humidity.
- Places subject to direct sunlight, or places subject to extremely hot or cold temperatures to ensure that it is used within the specified operating range.
- Places where inflammable gas may be present or in the vicinity of highly inflammable/volatile chemicals or items that can easily catch fire
- On unstable or sloped surfaces. The machine may topple or cause unforeseen accidents.
- Vicinity of fire exits, fire extinguishers etc that may block/prevent safety measures

IMPORTANT NOTE:

**ALL REPAIRS MUST BE DONE TO ORIGINAL MANUFACTURER SPECIFICATIONS.
FAILURE TO DO SO VOID ALL WARRANTIES AND OPERATOR ASSUMES ALL
RISKS.**

Note: The contents of this manual may be updated without notice.

1. SPECIFICATIONS


Rated power supply: **AC220-240V 50/60Hz**

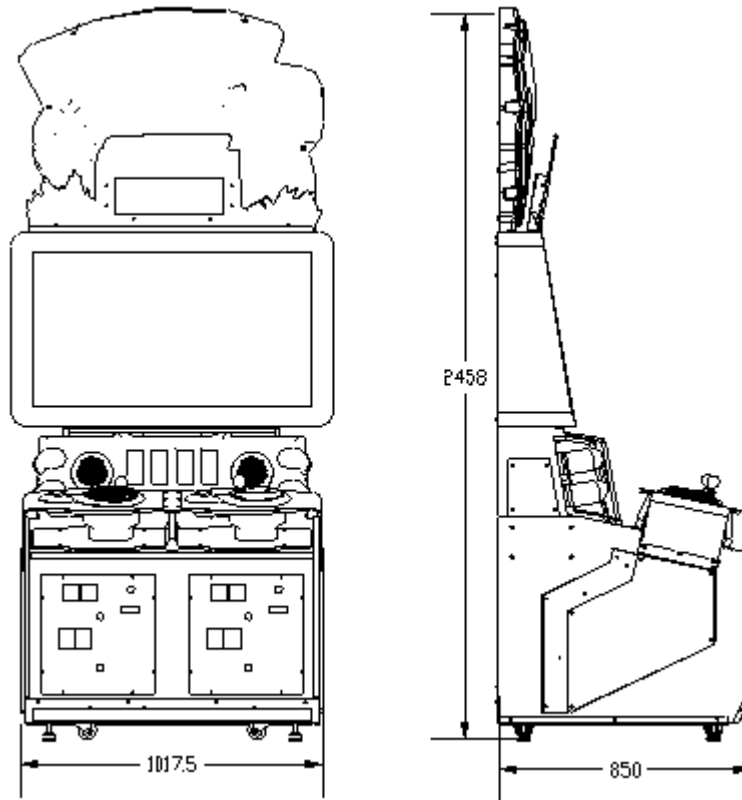
Min. Power consumption: 120W

Max. Power consumption: **150W**


Dimensions: **W1017×D850×H2458 (mm)**

Weight: Approximately **250kg**

 **NOTICE:** After turning off the game, please wait at least 1 minute before restarting again.








Note: Game parameters are subject to change without notice.

 **NOTICE:** After turning off the game, please wait at least 1 minute before restarting again.

2. PACKAGE CONTENTS

Open the package and make sure all the items are included:

- 1 x Body Assembly
- Following accessories

NO.	Part number	Code	Name	SPEC.	Qty	Illustration
1	S123-469-000	25300172002	Key	171B	2	
2	S123-468-000	25300171002	Key	171	2	
3	S123-403-000	21901000012	Fuse	Φ5×20mm T5A 250VAC	1	
4	S123-729-000	41440000052	Manual	English	1	
5	S123-470-000	23301010042	Power cord	10A/250V-1.8M	1	
6	S123-471-000	41300000005	Memory stick	8G	1	

If any items are found to be missing, please contact your sales representative for help immediately.

NOTE: Part models are subject to change without notice.

3. PART NAME



4. SET UP & INSTALLATION

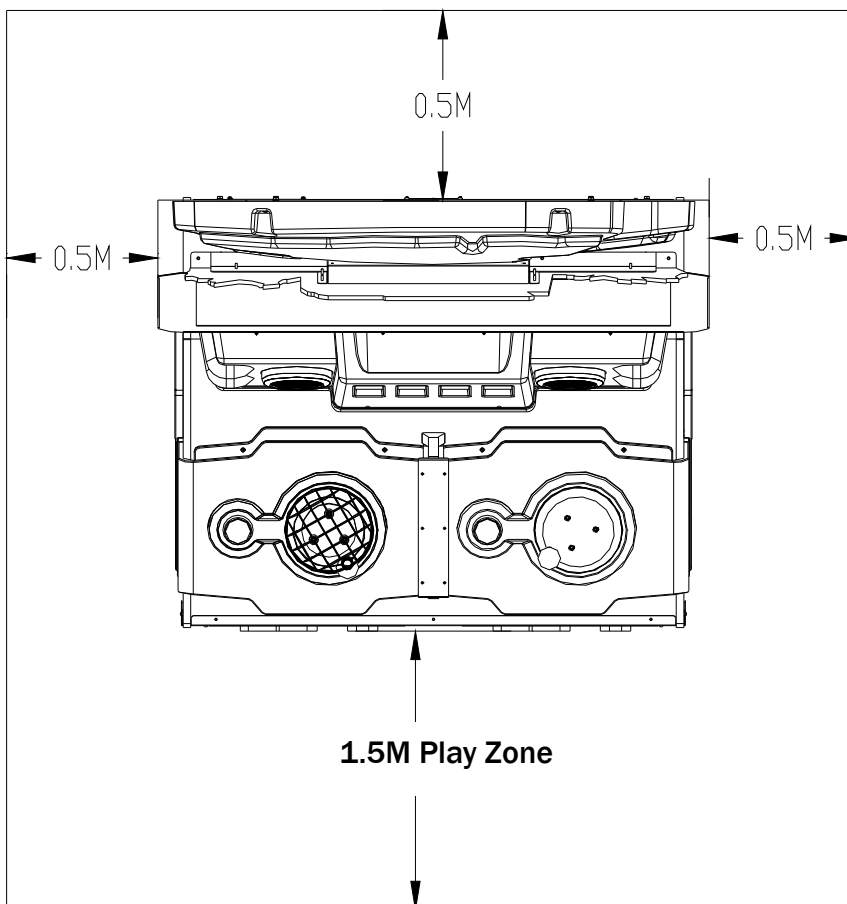
⚠ This product is an indoor game machine. Do not install outdoors.

- Refer to IMPORTANT SAFETY INSTRUCTIONS (Pg. 2) for places to avoid
- Place the unit on a dry level surface
- Ventilation openings in the back of the unit must not be obstructed by objects or by wall.

4.1 Play Zone

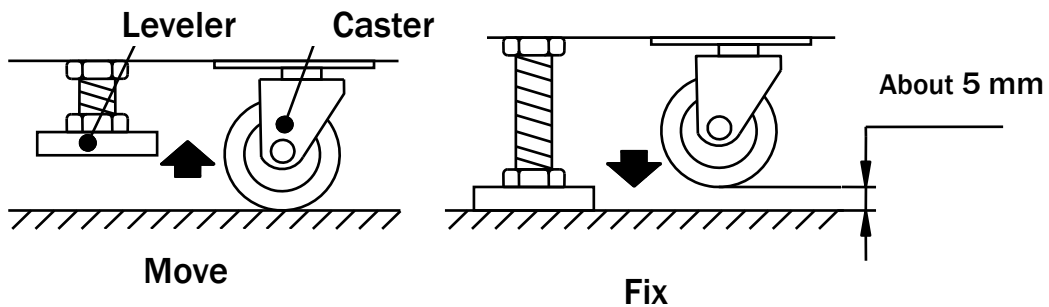
This machine requires space for playing and for maintenance as shown below.

Leave space around the game upon installation:



4.2 Level Adjustment

Install this machine on a flat surface. Adjust levers to lift casters off the ground to level the game. If the game is installed on an unsuitable floor, it could cause game malfunction. To secure the game, adjust the Leveler down until it touches the floor, lifting the casters off the ground by 5mm. Repeat the same for all levelers.

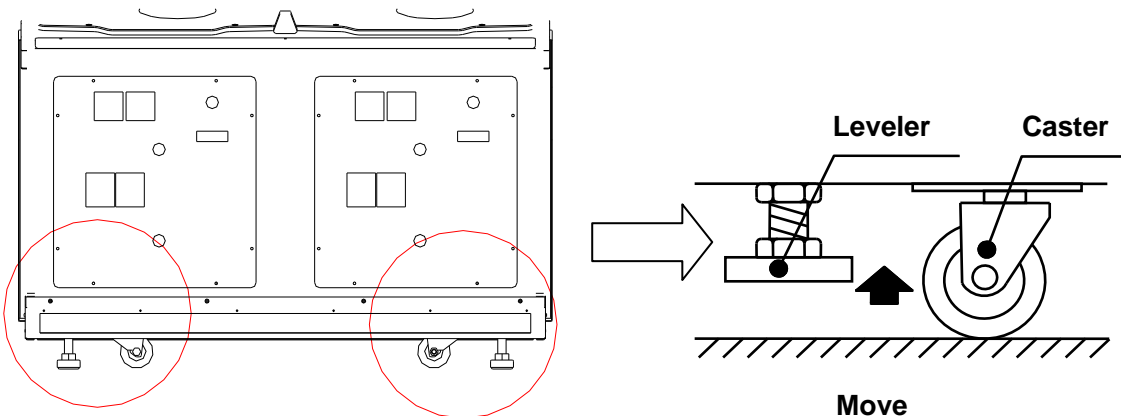


NOTICE

Make sure the machine is level with the ground and all the adjustable legs should stick to the floor closely.

4.3 Transporting the Game

If you need to move the game, adjust the levelers back to an “up” position so the casters touch the ground.



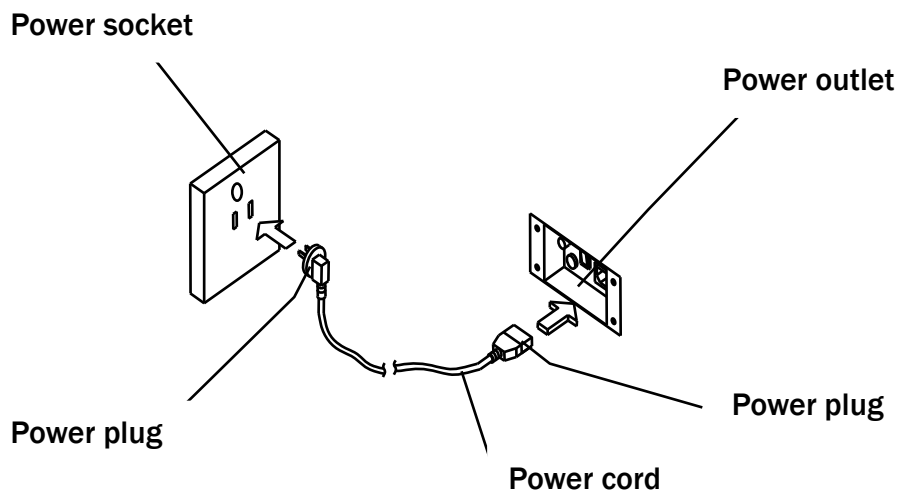
NOTICE

- Be careful not to damage the machine during transport.
- The machine should be handled with care when bringing it down from a higher level.
- Always unplug the game before moving.
- Keep the machine in upright position during transport.
- For longer distance transport, package the game properly to prevent damages

4.4 Connecting Power

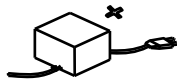
! **WARNING:** Check the voltage rating before you connect the equipment to an electrical outlet to ensure that the required voltage and frequency match the available power source. Please refer the label of the machine.

- Do not plug the equipment power cables into an electrical outlet if the power cable is damaged.
- Avoid putting many loads on one electrical outlet as it could generate heat and fire resulting from overload.
- Connect the grounding conductor to the earth terminal (GND):

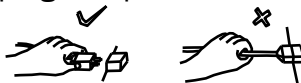


! **WARNING**

Ensure no heavy objects rest on the power cord. Check to make sure the game cabinet does not sit on the power cord as this could damage the cord and become hazardous.



To disconnect the game, grip the plug and pull it from the wall outlet. Never pull by the cord.



To prevent electric shock, do not touch the power plug when hand is wet.



Ensure that nothing rests on the power cord and that it is not located where it can be stepped on or tripped over.



5. HOW TO PLAY

5.1 Game Interface



5.2 How To Play



6. GAME OPTIONS

6.1 Main Menu Operation

1. Press TEST button and go into the Main Menu for the settings.
2. Press Service button for credits.

6.2 Main Menu Options:

<p>Main Menu</p> <p>Basic Setting</p> <p>Customized Setting</p> <p>Input Test</p> <p>Output Test</p> <p>Game Reset</p> <p>Date/Time Setting</p> <p>Language 语言/: English</p> <p>Bookkeeping</p> <p>Daily Record</p> <p>About This Game</p> <p>Back to Game</p> <p>Safari Ranger V1.0</p>

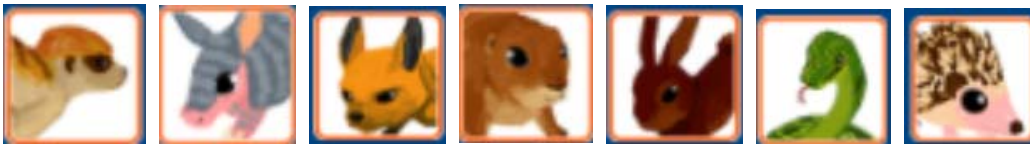
6.2.1 Basic Setting

Items		Description
Free Play	OFF	Play the game without credits.
Ticket Out	ON	Set to payout tickets after game over.
Demo Music	ON	Set to have music in demo mode.
Memory Save	ON	Save credits and tickets after power off.
Volume	10	Set the volume during playing.
Payout ON/OFF	ON	Set to pay out tickets after game over.
Payout	30	Set the average ticket payout.
Game Time	30	Set the game time. Unit is second
Coins Per Game	1	Set the credit to play one game.
Out of Tickets	Store in memory	Set to continue to play or call attendant when out of ticket.
Back & Save		Save the settings and back to main menu.
Back		Back to main menu without saving any changes.

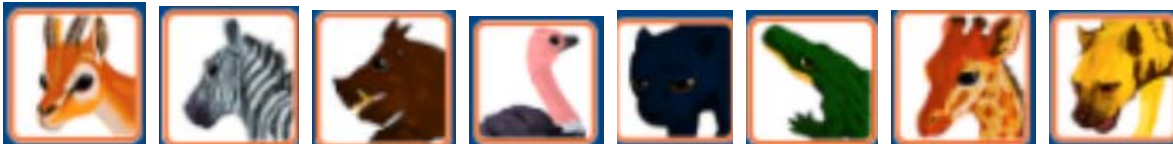
6.2.2 Customized Setting

Items		Description
Fixed Ticket	OFF	Set to pay out fixed ticket every time.
Divided by 2	OFF	Set to pay out half of the won tickets.
Point Mode/Ticket Mode	Ticket	Set the animal indicate point or ticket.
Animal Tickets Setting		Set animal tickets when it is in Ticket Mode.
Animal Points Setting		Set animal points when it is in Point Mode.
Score Board		Set score transfer to ticket when it is in Point Mode.
Continue Time	10	Set the time to wait for credits to continue to play.
Auto Play Time	10	Set the time to auto lasso when no action after credits.
Mercy Ticket	0	Set the minimum ticket payout every time.
Bonus Frequency Setting		Set the BONUS animals appear frequency during play.
Resistance Setting		Set the resistance grades of the reel.
Back & Save		Save the settings and back to main menu.
Back		Back to main menu without saving any changes.

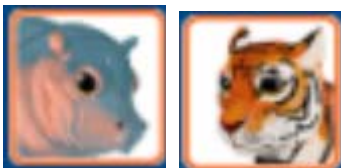
Small Animal:



Medium Animal:



Large Animal:



Safari Big Five Animal:



Buffalo

Rhino

Leopard

Elephant

Lion

White Lion (Safari Bonus):



6.2.3 Input Test

Items		Description
Coin Mech 1	OFF	Test the coin mech 1 input signal.
Coin Mech 2	OFF	Test the coin mech 1 input signal.
Throw Button 1	OFF	Test Lasso button 1 input signal.
Throw Button 2	OFF	Test Lasso button 2 input signal.
Reel In 1	OFF	Test reel 1 input signal.
Reel In 2	OFF	Test reel 2 input signal.
Test Button 1/2	OFF	Test "TEST" button in counter panel.
Reset Button 1/2	OFF	Test "RESET" button in counter panel.
Back		Press Setting Button to back to the Main Menu

6.2.4 Output Test

Items		Description
Test Ticket 1		Test ticket payout of ticket dispenser 1.
Test Ticket 2		Test ticket payout of ticket dispenser 2.
Test Vibration 1		Test vibration of reel 1.
Test Vibration 2		Test vibration of reel 2.
Resistance Level 1	0	Test resistance of reel 1.
Resistance Level 2	0	Test resistance of reel 2.
Throw Button Light 1	OFF	Test Lasso button light 1
Throw Button Light 2	OFF	Test Lasso button light 2
Out of Ticket Light 1	OFF	Test owed ticket light 1.
Out of Ticket Light 2	OFF	Test owed ticket light 2.
Test Save Animals Light 1		Test lights when rescue animals on P1.
Test Save Animals Light 2		Test lights when rescue animals on P2.
Test Save Safari Big Five Light 1		Test lights when rescue Safari Big Five animals on P1.
Test Save Safari Big Five Light 2		Test lights when rescue Safari Big Five animals on P2.
Test Save White Lion Light		Test lights when rescue White Lion.
Digital Display	0000	Test BONUS display.
Speaker Light	OFF	Test speaker light.
Back		Back to main menu without saving any changes.

6.2.5 Game Reset

Items	Description
Factory Restore	Restore all settings to factory setting.
Reset Basic Settings	Reset settings to factory setting in Basic Setting.
Reset Customized Setting	Reset settings to factory setting in Customized Setting.
Clear All Records	Clear All data records.
Clear Owed Ticket	Clear owed ticket records
Clear Unused Coin	Clear unused coin records.
Back	Back to main menu without saving any changes.

6.2.6 Date/Time Setting

Items		Description
Year	2014	Set the year of the date.
Month	9	Set the month of the date.
day	18	Set the day of the date.
Hour(24)	18	Set the house of the date
Minute	10	Set the minute of the date.
Second	16	Set the second of the date
Back & Save		Save the settings and back to main menu.
Back		Back to main menu without saving any changes.

6.2.7 Book Keeping

Player	Coins	Tickets	Payout
1	0	0	NaN
2	0	0	NaN
Sum	0	0	NaN
NON RESETTABLE POINTS			
NON RESETTABLE TICKETS			
Back			

6.2.8 Daily Record

Date	Weekday	Run Time	Coins	Tickets	Payout
2014-9-18	THU	00:00	0	0	NaN
Clear					
Back					

6.2.9 About This Game

CPU	Inter(R) Core(TM) i3 CPU 530 @ 2.93 GHz
Mother Board	Colorful.....
HDD	ST320
RAM	16248 MB
Monitor	i5 24 10M/2G....
Screen	1618*910/1920*1080
Version	Safari Ranger V1.0
Press Setting Button to Back	

7. ERROR MESSAGE AND RECOVERY

7.1 Error Message

Symptom: Screen displays message “*Communication ERROR*” (there is communication problem with the game)

Possible Causes & Fixes:

- Communication data wire is damaged → Replace the data wire.
- SCM is not working → Ask your technician to check and repair
- PC COM port has been used → Ask your technician to check and repair

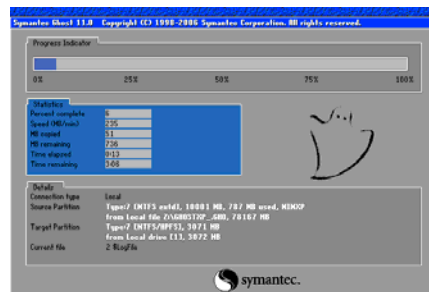
Symptom: Screen displays “*PLEASE CALL ATTENDENT*”, “*TICKET ERROR*” (there is problem in the ticket payout function)

Possible Causes & Fixes:

- No tickets in the game → Replenish tickets and then press the TICKET RESET button.
- Ticket dispenser is damaged → Replace with a new ticket dispenser.
- Faulty connection → Ask the technician to check and repair.

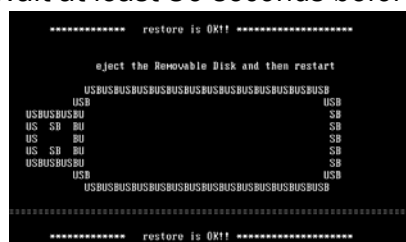
7.2 System Recovery Operation

1. Turn off the game. Insert the memory stick into the USB port at the back of the computer.
2. Restart PC to enter the system recovery screen as shown.



3. The game will automatically start recovery which will take last about 5 minutes. Please wait until process is complete.

4. Once system recovery is finished (as shown below), remove the USB flash drive from the computer and turn off the PC. Wait at least 30 seconds before restarting the PC.



WARNING: the USB flash drive should only be used to fix software errors. Using it for other purposes may cause unexpected results and damages.

8. MAINTENANCE & INSPECTION

8.1 Safety Check

Check the points listed before operating the machine. These checks are necessary for safe machine operation:

1. Try to run the game before operation each day.
2. Conduct monthly routine checks of game components ensure good working condition
3. Check the machine regularly for dust and clean when necessary.

Note: Parts and components require preventative maintenance to be kept running smoothly

8.2 Handling Precautions

When installing or inspecting the machine, be very careful of the following points and pay attention to ensure that the player can enjoy the game safely.

Non-compliance with the following points or inappropriate handling running counter to the cautionary matters herein stated can cause personal injury or damage to the machine

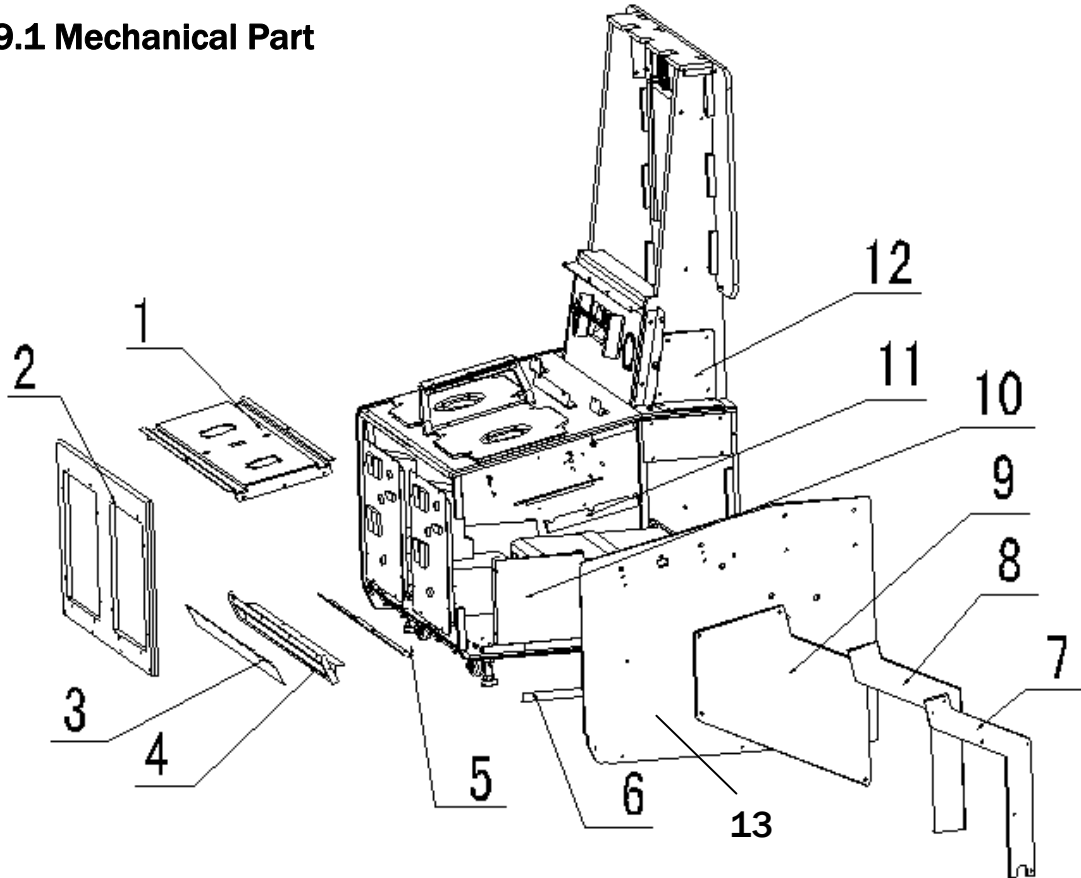


WARNING

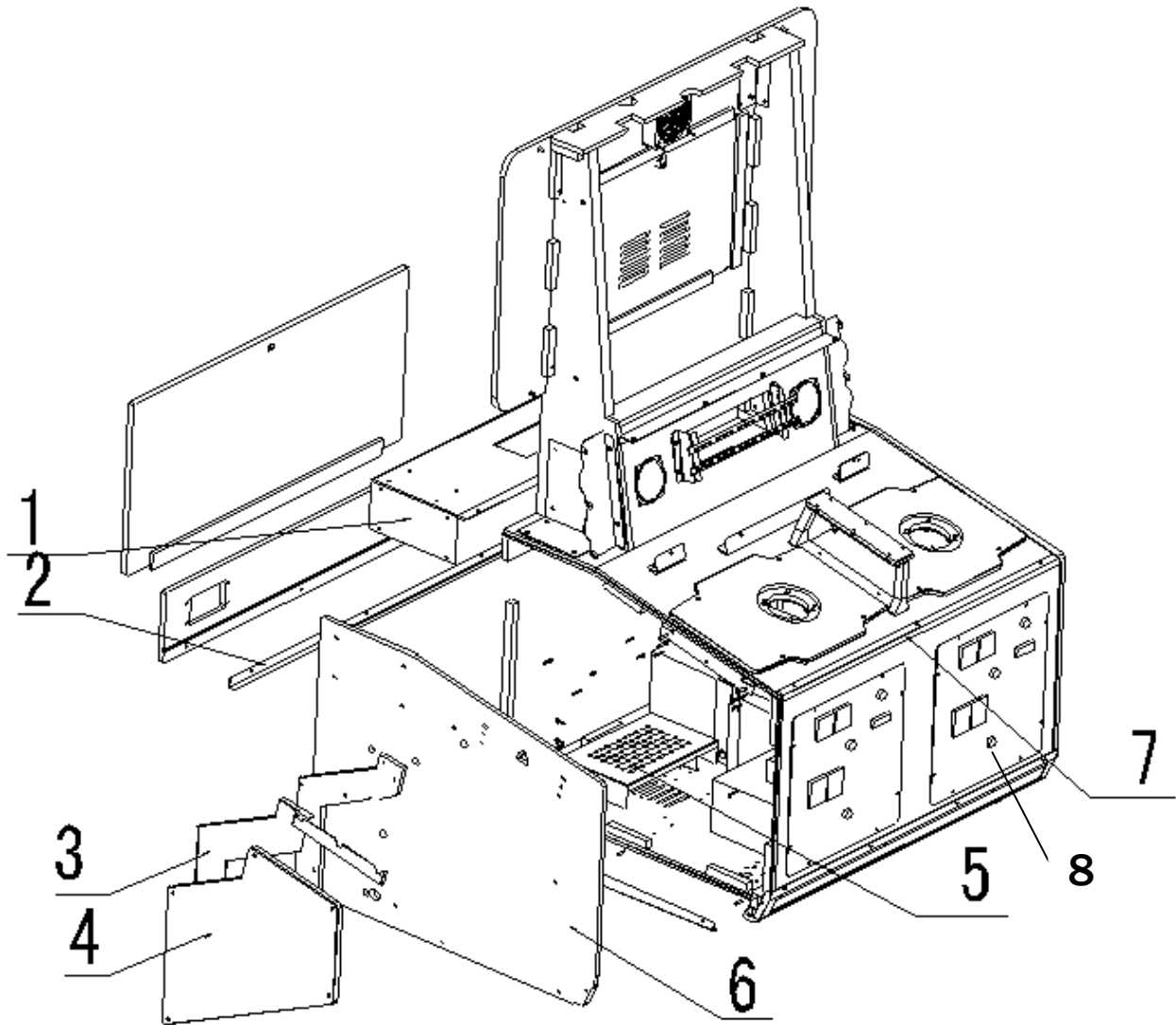
- Before servicing the machine, be sure to turn power off. Servicing without turning the power off can cause electric shock or short circuit.
- To avoid electric shock or short circuit, do not plug then unplug the power quickly
- Do not expose power cords and earth wires, these are susceptible to damage.
- Damaged cords and wires can cause electric shock or short circuit and should be replaced immediately.
- When or after installing the product, avoid pulling the power cord to prevent unnecessary wear and tear. Use the power button to disconnect power.
- In case the power cord is damaged, ask for replacement through where the product was purchased from or replace locally. Continued usage of damaged cord can cause fire, electric shock or leakage.
- Perform grounding appropriately. Inappropriate grounding can cause electric shock.
- Use fuses that meet specified rating. Fuses exceeding can cause an electric shock.
- Should a problem occur, turn off the power immediately and stop operating the machine. Unplug the power cord of the service outlet. Operating the machine without correcting the problem may cause a fire or injuries.
- Insert the power plug securely into the outlet. Poor contact may cause overheating, resulting in fire or burns.
- To ensure the warning labels attached on the machine are visible and legible, install the machine in a well-lit location, and keep the labels clean at all times. Make sure the labels are not hidden behind other game machines.

9. OVERALL CONSTRUCTION

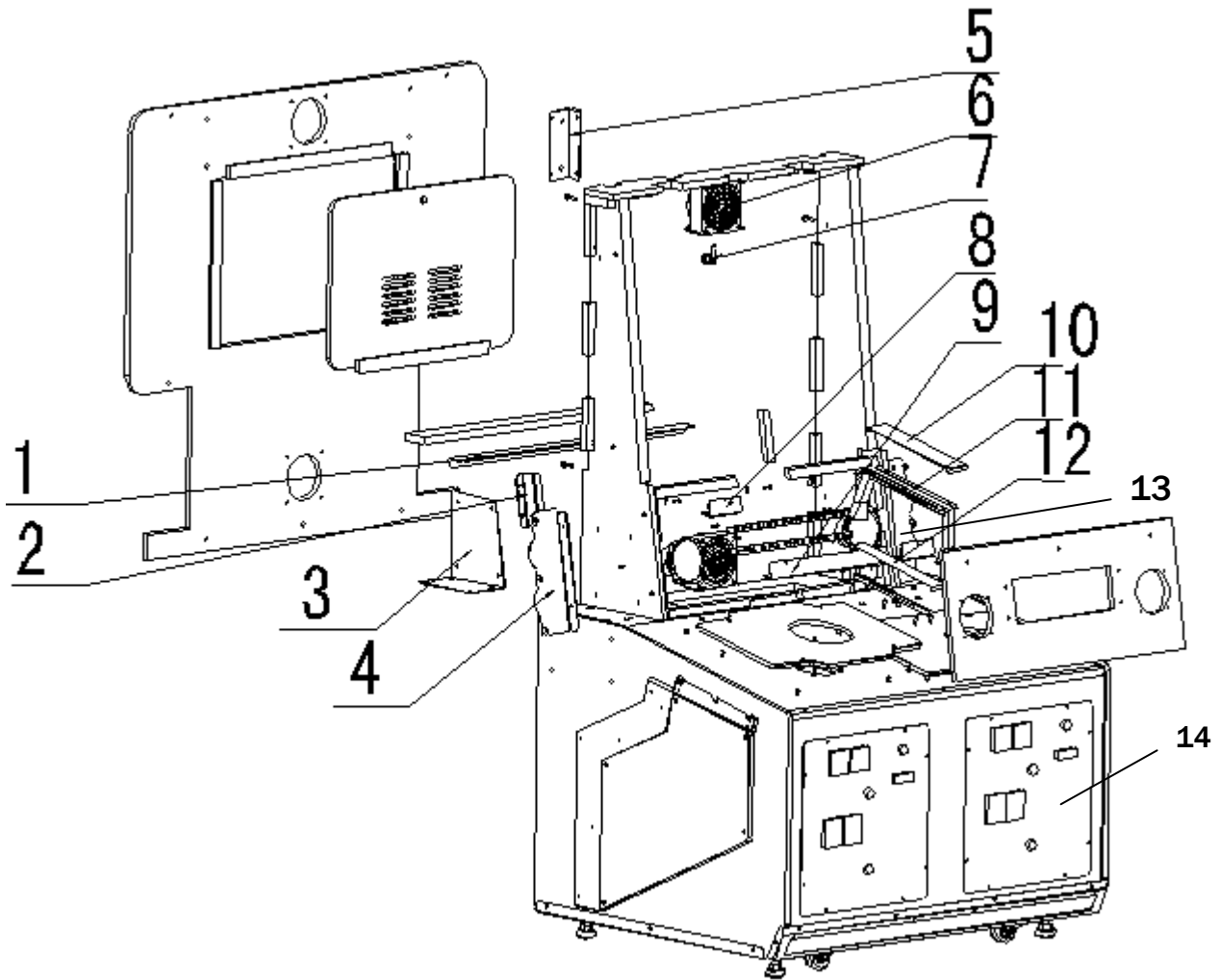
9.1 Mechanical Part



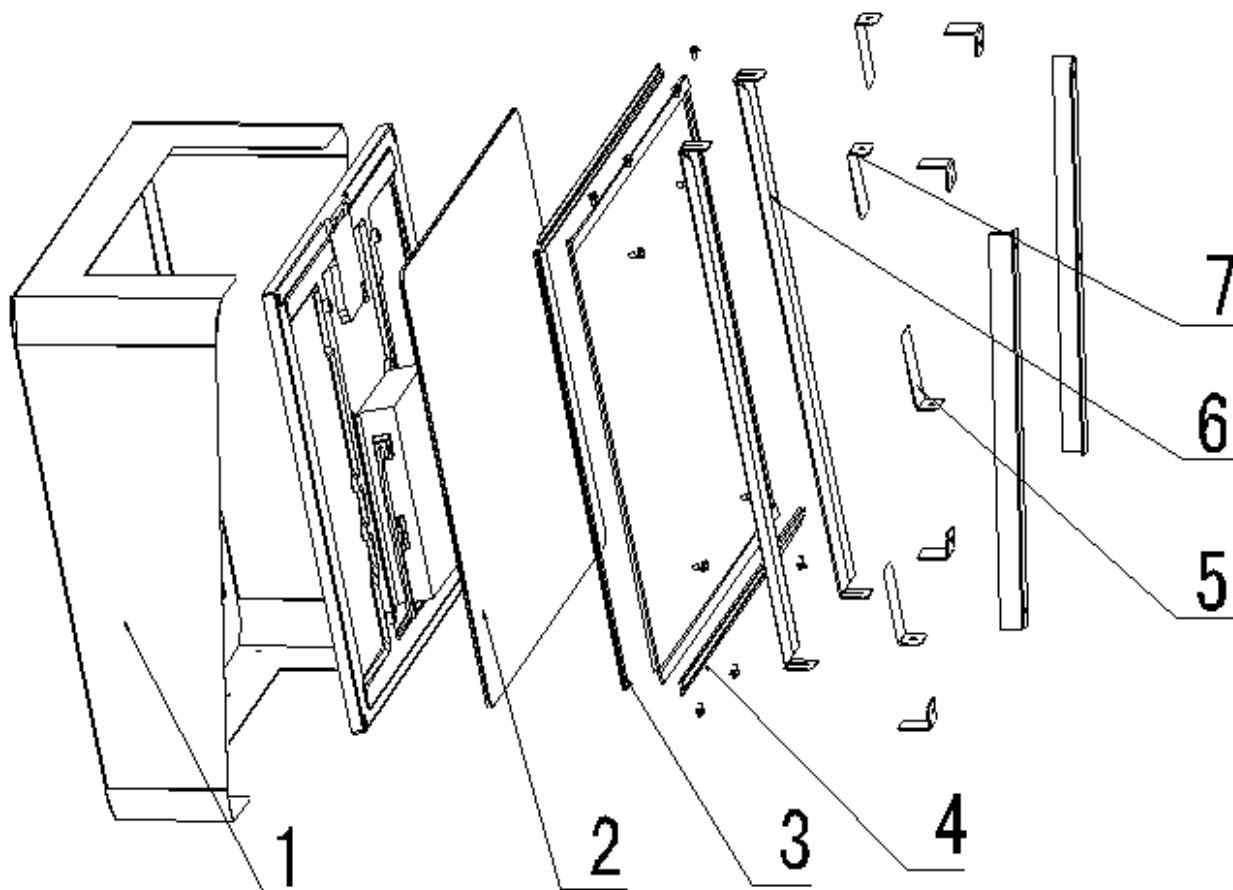
No.	Part No.	Draw No.	Name	Material	Qty
1	S123-114-000	20211403013	Control panel reinforced plate	Q235	1
2	S123-504-000	20311403005	Cabinet front plate	MDF black	1
3	S123-112-000	20611403002	Cabinet front bottom plastic	PC	1
4	S123-111-000	20211403011	Cabinet front bottom light plate	Q235	1
5	S123-113-000	20211403012	Front light mounted plate	Q235	1
6	S123-118-000	20211403017	Side edge protected plate	Q235	2
7	S123-513-000	20311403014	Side light plate	MDF black	2
8	S123-117-000	20211403016	Right side light fixed plate	Q235	1
9	S123-702-000	20511403002	Right side decal	Clear plastic	1
10	S123-151-000	26000006000	Ticket bin	Q235	2
11	S123-120-000	20211403019	Control panel side light plate	Mirror steel	1
12	S123-108-000	20211403007	Right side reinforce plate	Q235	1
13	S123-502-000	20311403003	Right side plate	Plywood	1



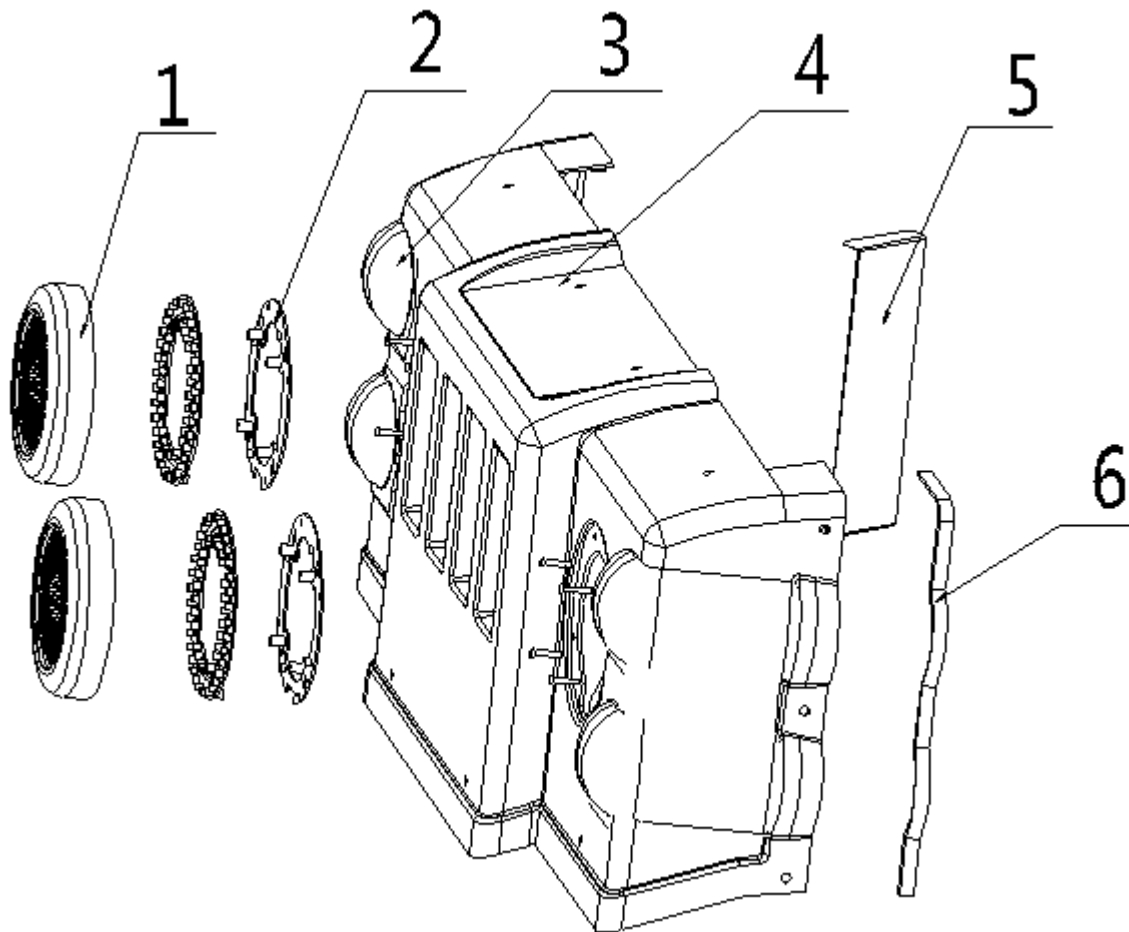
No.	Part No.	Draw No.	Name	Material	Qty
1	S123-107-000	20211403006	Side reinforced plate	Q235	1
2	S123-119-000	20211403018	Back protected plate	Q235	1
3	S123-116-000	20211403015	Left side light fixed plate	Q235	1
4	S123-701-000	20511403001	Left side decal	Clear plastic	1
5	S123-106-000	20611403001	Main board protected cover	PVC	1
6	S123-522-000	20311403002	Left side plate	Plywood	1
7	S123-103-000	20211403003	Control panel edge plate	Q235	1
8	S123-473-000	25300172001	Lock	171B	2



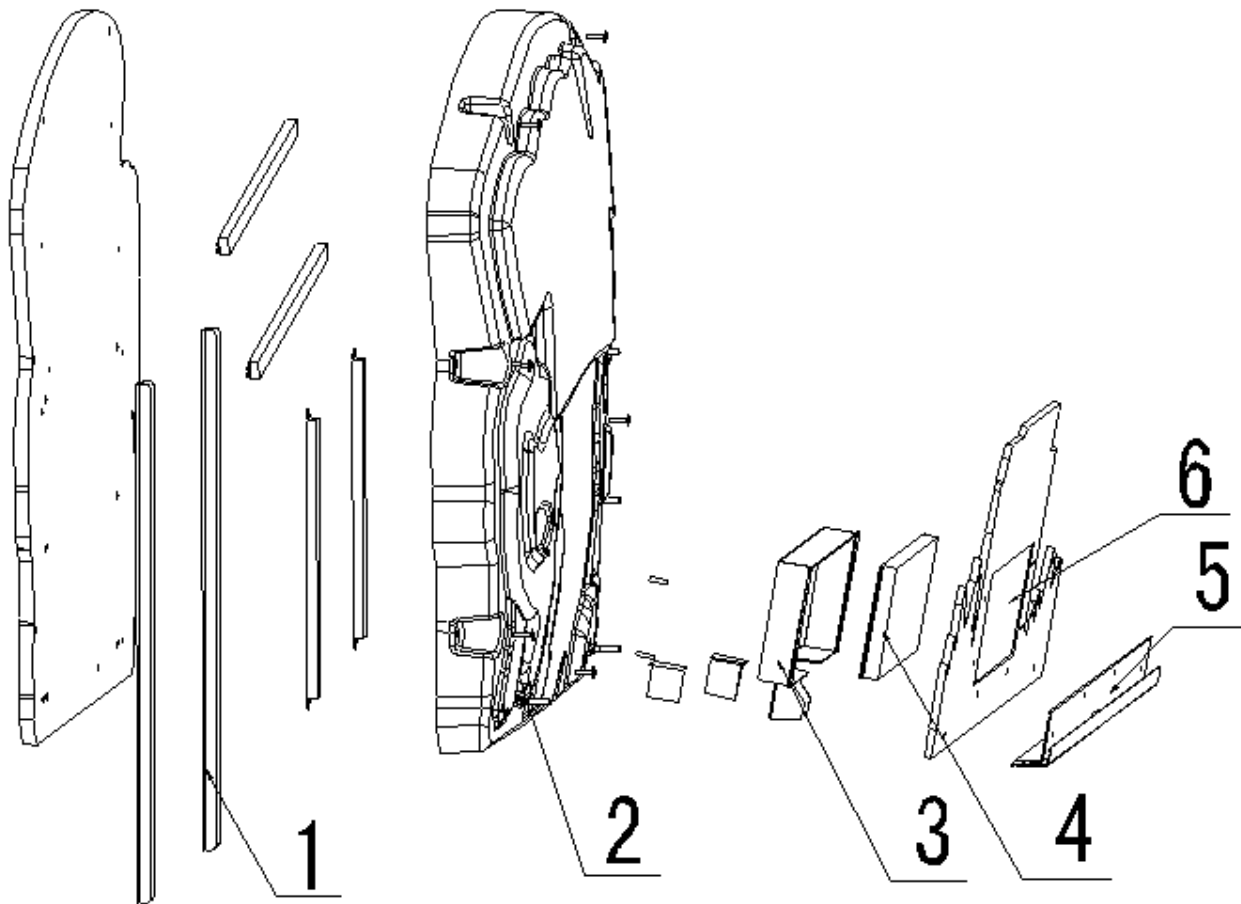
No.	Part No.	Draw No.	Name	Material	Qty
1	S123-101-000	20211403001	Truck head fixed plate	Q235	1
2	S123-102-000	20211403002	Truck head light fixed plate	Q235	2
3	S123-110-000	20211403009	Left side reinforce plate	Q235	1
4	S123-123-000	20211403022	Truck head left fixed plate	Q235	1
5	S123-109-000	20211403008	Marquee back fixed plate	Q235	1
6	S123-421-000	22702000010	Fan net		2
	S123-420-000	22702000020	Fan		4
7	S123-472-000	25300171001	Lock		2
8	S123-121-000	20211403020	Truck head back fixed plate	Q235	4
9	S123-124-000	20211403023	Truck head front fixed plate	Q235	1
10	S123-105-000	20211403005	Control panel trim plate	Mirror steel	1
11	S123-115-000	20211403014	Reel fixed plate	Q235	1
12	S123-104-000	20211403004	Control panel bottom light bracket	Mirror steel	1
13	S123-122-000	20211403021	Truck head right fixed plate	Q235	1
14	S123-458-000	26000015000	Coin door assy.	Black	2



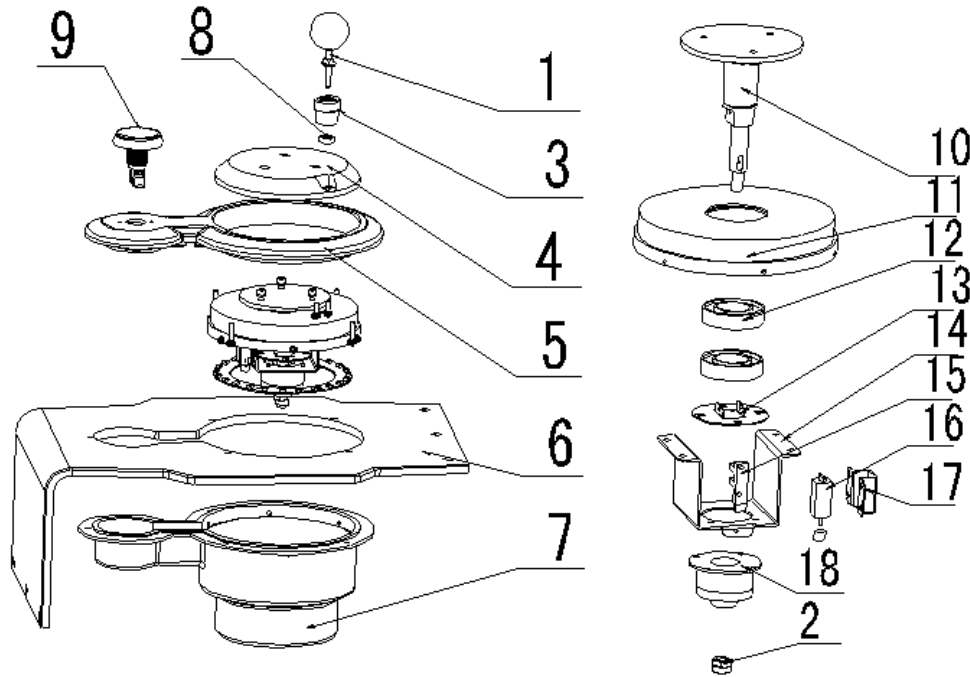
No.	Part No.	Draw No.	Name	Material	Qty
1	S123-125-000	20211403024	Monitor frame	Q235	1
2	S123-126-000	20611403003	Monitor glass	Glass	1
3	S123-128-000	20611403005	Short foam pad	Black foam	2
4	S123-127-000	20611403004	Long foam pad	Black foam	2
5	S123-130-000	20211403026	Monitor bottom bracket	Q235	2
6	S123-129-000	20211403025	Monitor fixed plate	Q235	2
7	S123-131-000	20211403027	Monitor upper bracket	Q235	2



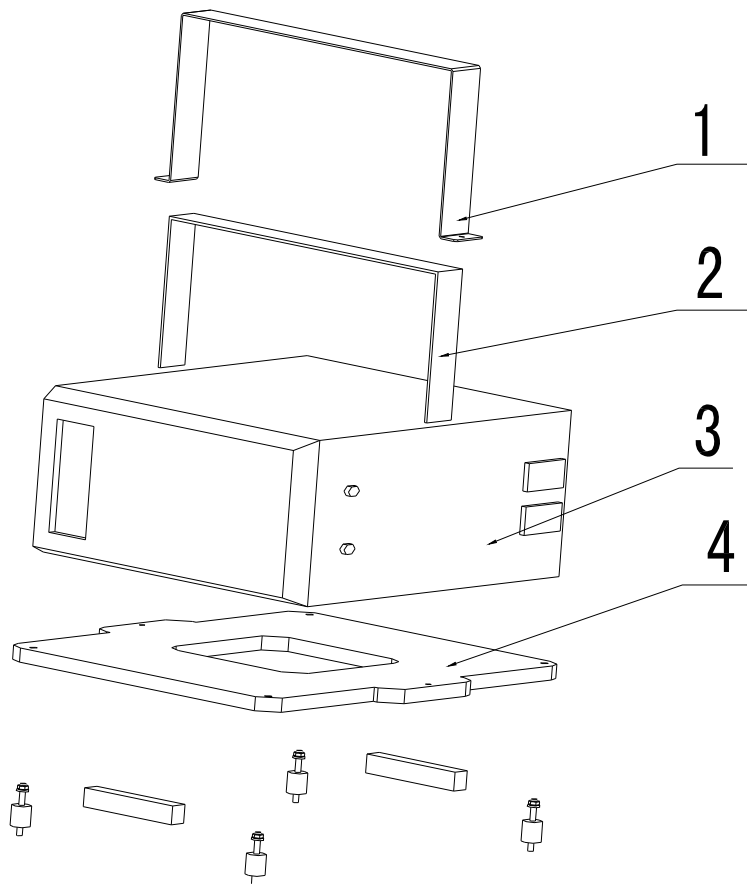
No.	Part No.	Draw No.	Name	Material	Qty
1	S123-156-000	26000057001	Speaker light cover	Clear PVC	2
2	S123-157-000	26000057002	Speaker light holder	Metal	2
3	S123-146-000	20611403009	Truck head side light cover	ABS	4
4	S123-145-000	20611403008	Truck head	ABS	1
5	S123-147-000	20211403039	Truck head side light fixed plate	Q235	2
6	S123-148-000	20611403011	Seal foam	Black foam	2



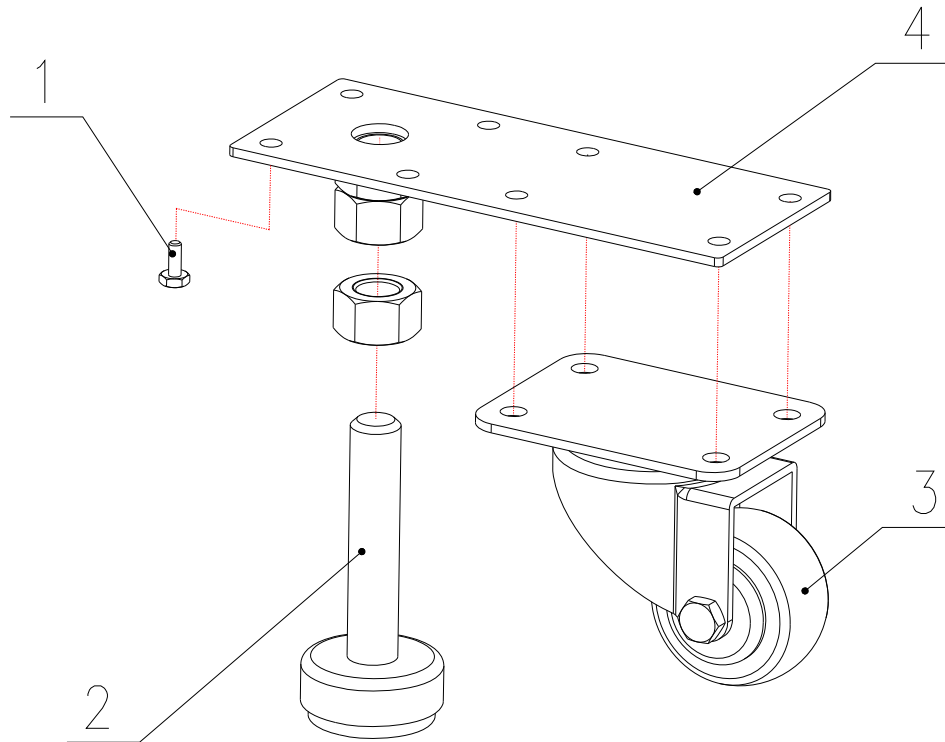
No.	Part No.	Draw No.	Name	Material	Qty
1	S123-132-000	20211403028	Marquee fixed plate	Q235	2
2	S123-708-000	20511403008	Marquee decal	Clear plastic	1
3	S123-144-000	20211403038	Display bracket	Q235	1
4	S123-426-000	29711406002	BONUS display	FZXLR-LED40B4.PCB(V1.0)	1
5	S123-143-000	20211403037	Marquee front bracket	Q235	1
6	S123-704-000	20511403004	Bonus plastic	Clear plastic	1



No.	Part No.	Draw No.	Name	Material	Qty
1	S123-141-000	20211403041	Ball with shaft	Stainless steel	2
2	S123-319-000	20102000001	Non-metallic hexagon lock nut	Q235	2
3	S123-142-000	20211403036	Joy stick shaft base	Stainless steel	2
4	S123-140-000	20211403034	Reel cover	Chroming	2
5	S123-139-000	20611403007	Reel base cover	ABS	2
6	S123-703-000	20511403003	Left control panel decal	Silk screen	1
	S123-705-000	20511403005	Right control panel decal	Silk screen	1
7	S123-133-000	20611403006	Reel base	ABS	2
8	S123-464-000	20106000317	Deep groove ball BR.	626	2
9	S123-449-000	22401030006	Button with light	White	2
10	S123-136-000	20211403031	Reel shaft	45#	2
11	S123-134-000	20211403029	Reel shaft base	45#	2
12	S123-461-000	20106000078	Deep groove ball BR.	6006-2Z	2
13	S123-137-000	20211403032	Code disk	Q235	2
14	S123-135-000	20211403030	Electromagnetic shaft base	Q235	2
15	S123-448-000	21501000040	Sensor	K1669	2
16	S123-460-000	23404000210	Vibration motor	JFF-180 5V 0.05A	2
17	S123-138-000	20211403033	Vibration plate	Q235	2
18	S123-462-000	20741341102	Brake	24V 3NM	2



No.	Part No.	Draw No.	Name	Material	Qty
1	S123-149-000	20211403040	PC fixed bracket	Metal	1
2	S123-150-000	20611403012	PC cushion	EVA	1
3	S123-406-000	21101000023	DELL pc	DELL 3020	1
4	S123-519-000	20311403020	PC bed plate	MDF black mica	1



No.	Part No.	Draw No.	Name	Material	Qty
1	S123-332-000	20104023002	Cross recessed hexagon screw kit	Q235	6
2	S123-152-000	26000009000	Leveller	Q235	4
3	S123-457-000	25501000056	Caster	3-2689-52	4
4	S123-153-000	26000010000	Caster bracket	Q235	4

9.2 Mechanical Part

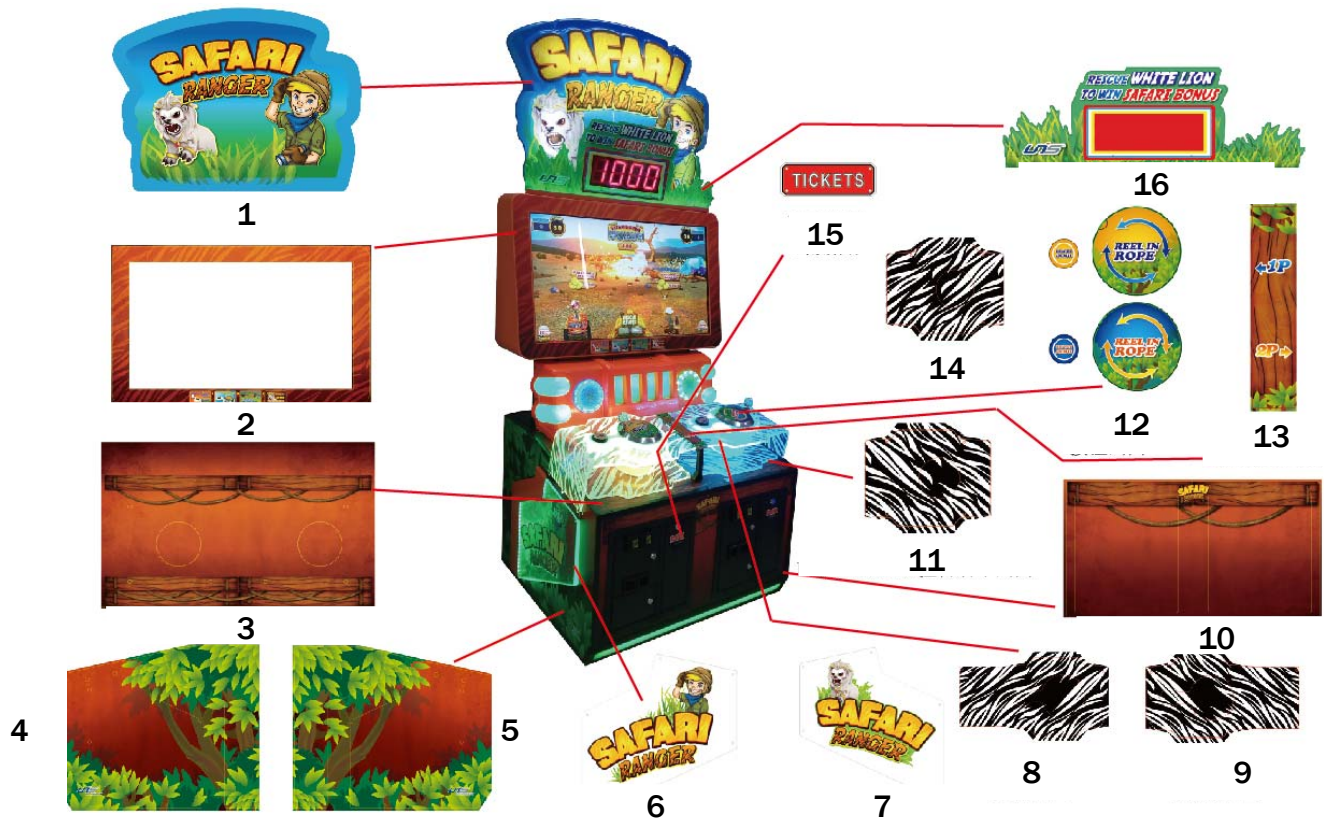


No.	Part No.	Draw No.	Name	SPEC.	Qty
1	S123-426-000	29711406002	BONUS display	FZXLR-LED40B4.PCB(V1.0)	1
2	S123-453-000	22003080003	Marquee light (short)	W5630-LC30cm-60z/m-DC12V	2
3	S123-454-000	22003080005	Marquee light (long)	W5630-LC55cm-60z/m-DC12V	2
4	S123-439-000	22301000007	Coin mech	TW-800 II	4
5	S123-442-000	23100000005	Ticket dispenser	CL-022Q-270	2
6	S123-444-000	22003000075	Red light with socket	Φ 3 w/cover red LED	2
7	S123-446-000	22002013009	Cabinet side light	DC12V 3528LED 60/m green	1
8	S123-415-000	21201042002	Monitor	42" LED	1
9	S123-430-000	29711406009	Truck head light	LED24RGB-NC.PCB(V1.0)	2
10	S123-418-000	22801000047	Speaker	4" 8Ω15W	2
11	S123-428-000	29711406007	Light board	LED24RGB-NC.PCB(V1.0)	8
12	S123-419-000	29751301003	Speaker light board	LED-SP.PCB(V1.0)	2
13	S123-447-000	22002013002	Control panel light belt	DC12V 5050LED 3 color LED	4.6m
14	S123-427-000	29711406001	Control panel light	FZXLR-KTLED.PCB(V1.0)	2
15	S123-441-000	22201000028	light socket	for coin mech light	4
16	S123-440-000	22003000006	LED bulb	LED(12V) white JA-T810	6
17	S123-450-000	22604000006	Micro SW	BLM-S 3A-125/250VAC	2
18	S123-429-000	29711406008	Cabinet bottom light	LED24RGB-NC.PCB(V1.0)	1
19	S123-431-000	29711406010	Cabinet bottom light	LED24RGB-NC.PCB(V1.0)	1

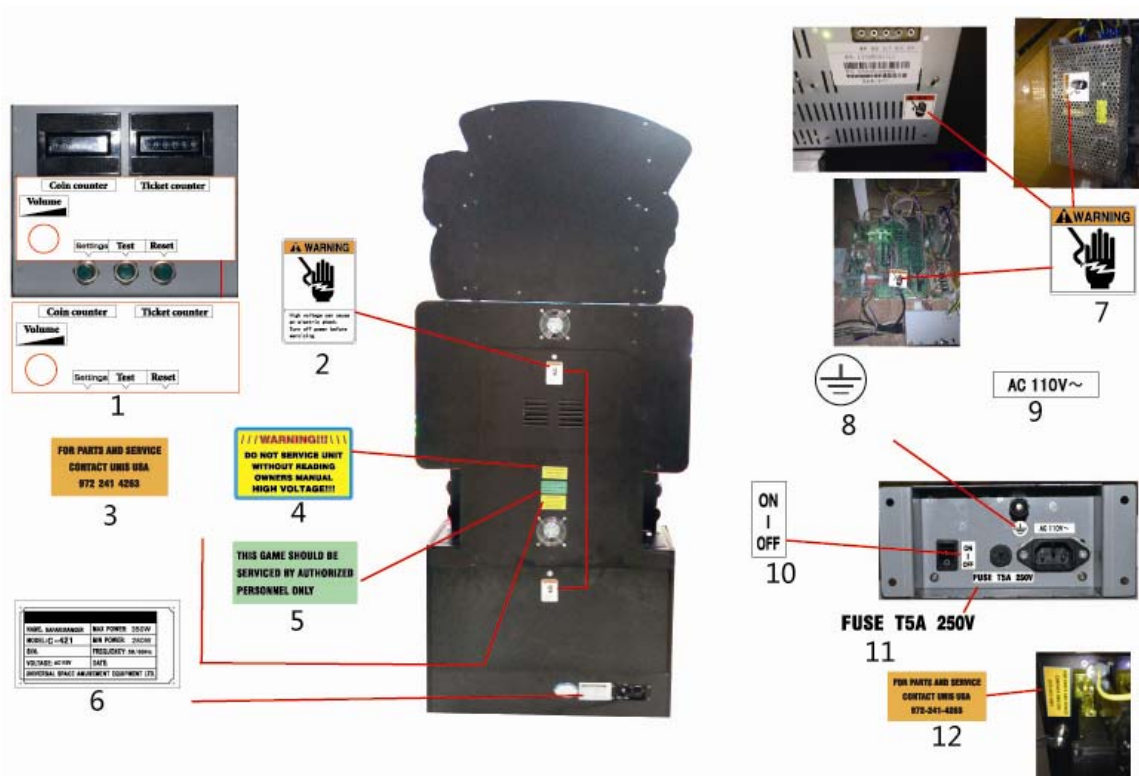


No.	Part No.	Draw No.	Name	SPEC.	Qty
1	S123-455-000	23309000166	Cable suite		1
2	S123-416-000	21602000093	Power supply	MW-ADS-15512 (12V/11A,5V/3A)	1
3	S123-414-000	23301018002	Power cord	3x18AWG 0.5M UL	2
4	S123-410-000	23304000100	USB cable	A type 0.5M (male-female)	1
5	S123-411-000	23307000014	DVI video cable	DVI-DVI(1.5m)	0.5
6	S123-412-000	23303020001	Serial cable	DB9F-DB9F(2M) cross	1
7	S123-423-000	29711006006	PCB board	XHZJ-BFBZ.PCB(V1.0)	1
8	S123-422-000	20711406005	IO board	IO board	1
9	S123-425-000	29741122001	PCB board	XHD-CH.PCB(V1.0)	1
10	S123-424-000	29711208001	Drive board	MOS-DRV(V1.0)	1
11	S123-417-000	22803000047	AMP board	2.0-A (upgrade)	1
12	S123-413-000	23305000010	Audio cable	3.5 cable 1M	1
13	S123-435-000	23000000006	Counter	C-012 12VDC 18CPS	2
14	S123-438-000	22402010002	Red button	PB:11C02R(red)	1
15	S123-437-000	22402050001	Black button	PB:11C02R(black)	1
16	S123-436-000	22402030002	Green button	PB:11C02R(green)	1
17	S123-443-000	21712000001	Ticket converted board	TICK-CH.PCB	1
18	S123-432-000	21709000002	POT board	VR.PCB	1
19	S123-433-000	22501000006	POT	10K	1
20	S123-434-000	22403000001	POT knob	Black	1
21	S123-405-000	22601000005	Rocker SW	T125/55	1
22	S123-404-000	21412000001	Terminal	10A/15A/250V black	1
23	S123-403-000	21901000012	Fuse	Φ5×20mm T5A 250VAC	1
24	S123-402-000	21902000006	Fuse socket	R3-11 110V/250V/10A	1
25	S123-401-000	23201000001	Filter	YB10A1 10A/250V	1
26	S123-407-000	21107030041A	Video card	GIGA GTX750 1G	1
27	S123-408-000	21107230001	PCI card	CN-05R33FC	1
28	S123-409-000	20711406006	Dongle		1

9.3 Decal Part

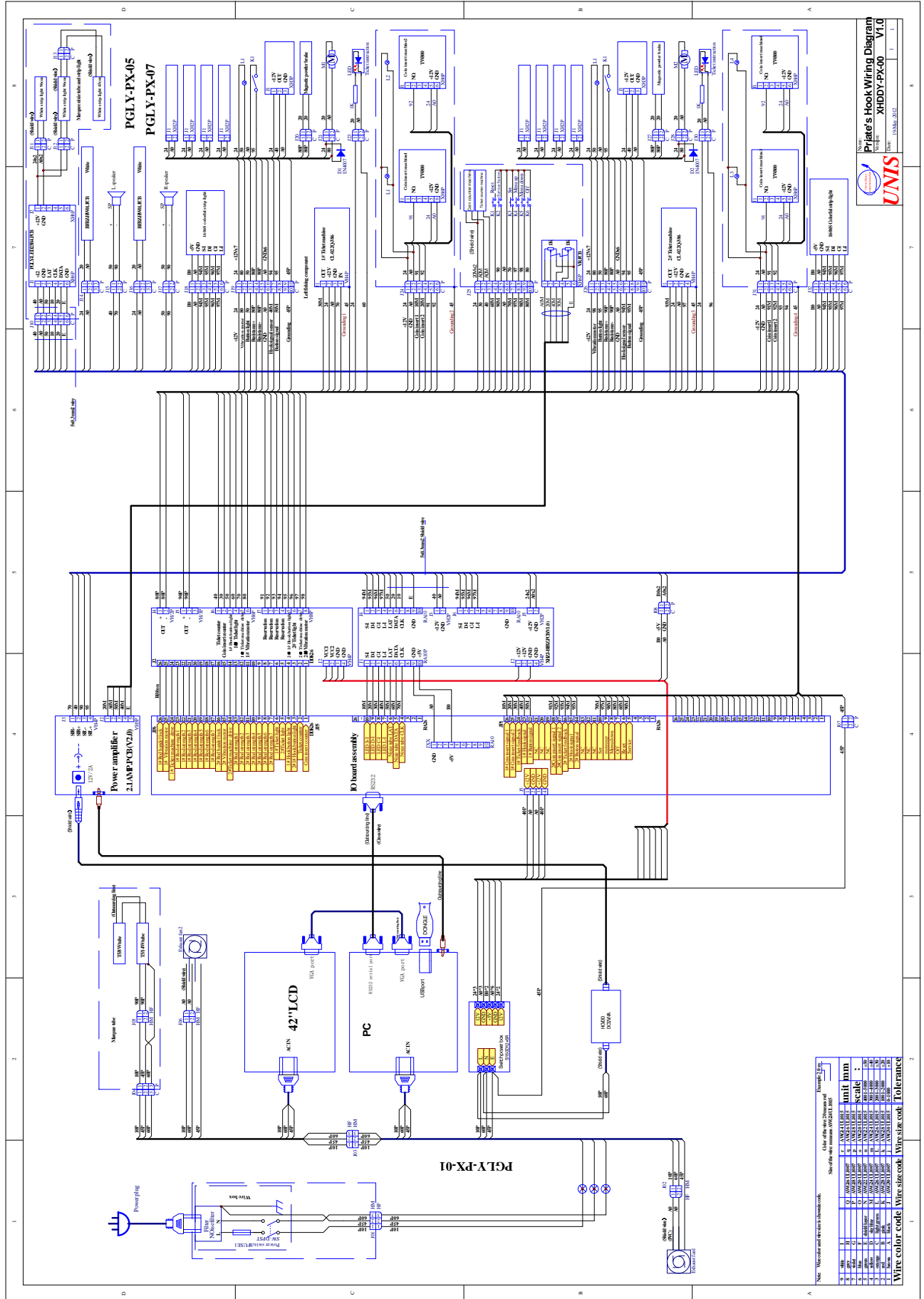


No.	Part No.	Draw No.	Name	SPEC.	Qty
1	S123-708-000	20511403008	Marquee decal	1157x834x5	2
2	S123-709-000	20511403009	Monitor decal	1092x470	1
3	S123-710-000	20511403010	Truck head decal	959x606	1
4	S123-712-000	20511403012	Left decal	853x707	1
5	S123-713-000	20511403013	Right decal	853x707	1
6	S123-701-000	20511403001	Left side decal	500x533x15	1
7	S123-702-000	20511403002	Right side decal	500x533x15	1
8	S123-703-000	20511403003	Left control panel decal	671x400x10	1
9	S123-705-000	20511403005	Right control panel decal	671x400x10	1
10	S123-711-000	20511403011	Front door decal	968x476	1
11	S123-707-000	20511403007	Control panel R bottom plastic	460x400x10Silk screen	1
12	S123-714-000	20511403014	Button decal	210x292	1
13	S123-715-000	20511403015	Control panel middle decal	64x283	1
14	S123-706-000	20511403006	Control panel L bottom plastic	460x400x10Silk screen	1
15	S123-718-000	25600000034	Ticket label	62x20	2
16	S123-704-000	20511403004	Bonus plastic	1000x331x8	1



No.	Part No.	Draw No.	Name	SPEC.	Qty
1	S123-728-000	25600000101	Counter label	88×35	1
2	S123-720-000	25600000037	Warning label- L	62×88	2
3	S123-726-000	25600000095	Service label-L	100X50	1
4	S123-722-000	25600000067	Warning label	100×60	1
5	S123-721-000	25600000042	Service label 1	100×50	1
6	S123-716-000	20511403016	Uncertified 110V nameplate	128x68	1
7	S123-719-000	25600000036	Warning label-S	41×42	3
8	S123-725-000	25600000091	GND label	12X12	1
9	S123-723-000	25600000071	AC 110V label	25X6	1
10	S123-717-000	25600000017	Power SW label	8×18	1
11	S123-724-000	25600000074	Fuse label	33X6	1
12	S123-727-000	25600000096	Service label -S	72X36	2



Wiring Diagram





Have Questions? Contact us!

www.universal-space.com

 International Support Center	 USA Support Center
Tel: +1-905-477-2823 Fax: +1-905-477-2660 Email: service@universal-space.com (Contact: Clement Yau)	Tel: 972-241-4263 Fax: 214-919-4918 Email: tsnelling@unisusasupportcenter.com (Contact: Tim Snelling)