

# RACCOON RAMPAGE



## IMPORTANT



Be Sure  
to Read this  
Manual  
Before Use

**UNIS**<sup>®</sup>

UNIS TECHNOLOGY

# Operation Manual

# WE ARE HERE TO ASSIST For parts and service




Have Questions? Contact us!

**UNIS SERVICE CENTER**  
Tel: 972-241-4263  
Email: [service@unispartsandservice.com](mailto:service@unispartsandservice.com)  
[www.unispartsandservice.com](http://www.unispartsandservice.com)

When contacting Service, you will need the following information  
and the name of your authorized distributor.

Suitable for Indoor Use Only	
NAME: Raccoon Rampage GMP	MAX POWER: 1920W
MODEL: <b>C-772</b>	MIN POWER: 670W
VOLTAGE: AC 110V ~	FREQUENCY: 50/60Hz
S/N:	DATE:
Guangdong UNIS Technology Co.,Ltd.	

Suitable for Indoor Use Only	
NAME: Raccoon Rampage GMP	MAX POWER: 1920W
MODEL: <b>C-772</b>	MIN POWER: 670W
VOLTAGE: <b>AC220-240V ~</b>	FREQUENCY: 50/60Hz
S/N:	DATE:
Guangdong UNIS Technology Co.,Ltd.	



# CONTENT

- IMPORTANT SAFETY INSTRUCTIONS ..... 3
- 1. SPECIFICATIONS ..... 5
- 2. CONTENTS OF THE ACCESSORY KIT ..... 6
- 3. PART NAME ..... 7
- 4. SET UP & INSTALLATION ..... 8
- 5. HOW TO PLAY ..... 20
- 6. GAME OPTION ..... 21
- 7. TROUBLESHOOTINGS ..... 27
- 8. MAINTENANCE & INSPECTION ..... 30
- 9. OVERALL CONSTRUCTION ..... 32
- 10. WIRING DIAGRAM ..... 59

Thank you for purchasing **Raccoon Rampage GMP**. We hope you enjoy the product.

This manual contains valuable information about how to operate and maintain your game machine properly and safely. It is intended for the owner and/or personnel in charge of product operation. Carefully read and understand the instructions.

If you need any help during installation and setup please utilize this manual and troubleshooting guide. If the product fails to function properly, *non-technical personnel should under no circumstance attempt to service the machine*. Contact your distributor or manufacturer for help.

Before use, please read **IMPORTANT SAFETY INSTRUCTIONS**.

## IMPORTANT SAFETY INSTRUCTIONS

**To ensure the safe usage of this product, carefully read and understand these instructions before operating your game.**

**Save these instructions for future reference.**

Use this product only as described in this manual. Other uses not recommended may cause fire, electric shock or personal injury. Unplug the game from the outlet when not in use, when moving from one location to another, and before cleaning/servicing.

Explanations which require special attention are indicated by signs of warning. Depending on the potential hazardous degree, the terms: **NOTE**, **NOTICE**, and **WARNING** are used.

**NOTE:** A NOTE indicates useful hints or information about product usage.

**NOTICE:** A NOTICE indicates potential damage to product and how to avoid the problem.

**WARNING:** A WARNING indicates a potential for product damage or serious personal injury.

It is important to understand the meaning of the following HAZARD SIGNS before continuing:

### High Voltage and Shock Hazard:

High voltage can cause electric shock.  
Turn off/unplug power before servicing.



### High Temperature Hazard:

This part may cause scalding.  
Do not touch. Surface may be hot.



### No Touching Hazard:

This part may be hot or can cause electric shock.  
Do not touch.



Use the following safety guidelines to help ensure your own personal safety and to help protect your equipment and surrounding environment from potential damage.

**⚠️ This product is an indoor game machine. Do not install outdoors.**

Avoid installing in the following places to prevent fire, electric shock, injury and/or machine malfunctioning:

- Places subject to rain/moisture, or places subject to high humidity.
- Places subject to direct sunlight, or places subject to extremely hot or cold temperatures to ensure that it is used within the specified operating range.
- Places where inflammable gas may be present or in the vicinity of highly inflammable/volatile chemicals or items that can easily catch fire.
- On unstable or sloped surfaces. The machine may topple or cause unforeseen accidents.
- Vicinity of fire exits, fire extinguishers etc that may block/prevent safety measures.

**IMPORTANT NOTE:**

**ALL REPAIRS MUST BE DONE TO ORIGINAL MANUFACTURER SPECIFICATIONS. FAILURE TO DO SO VOID ALL WARRANTIES AND OPERATOR ASSUMES ALL RISKS.**

Note: The contents of this manual may be updated without notice.

# 1. SPECIFICATIONS

Rated power supply: AC110V 50/60Hz; AC220V 50/60Hz

Min. Power consumption: 670W

Max. Power consumption: 1920W

Dimension: H103×W96.4×D67 in

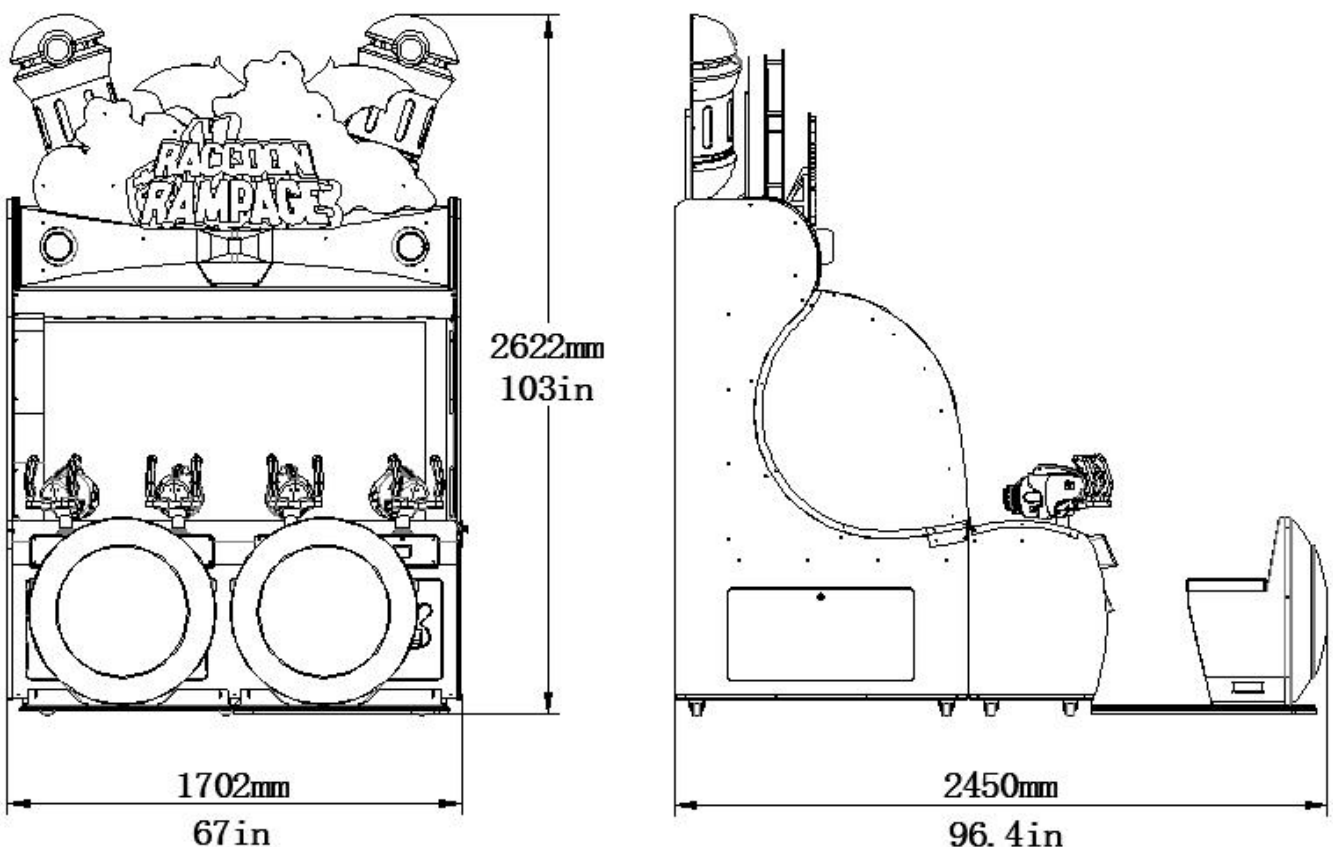
H2622×W2450 ×D1702 mm

Weight: Approximately 1199.31 lb/544 KG

Model No: C-722

Part No.: R134

**!** **NOTICE** : After turning off the game, please wait at least 1 minute before restarting again.



**Note:** Game specifications are subject to change without notice.

## 2. CONTENTS OF THE ACCESSORY KIT

Open the package and make sure all the items are included:

Following accessories

No.	Part No.	Code No.	Name/SPEC	Picture	Qty
1	R134-1502-00	2.33.01.010020	Power cord 3×16AWG 1.8M		2
2	R134-1503-00	2.19.01.000030B	Fuse Φ5×20mm T10A 250VAC		1
3	R134-1504-00	2.53.00171002	171A key		2
4	R134-1505-00	2.53.00172002	171B key		2
5	R134-1506-00	4.14.40000658	Manual		1
6	R134-1507-00	201.04.020003	Cross recessed hexagon bolt set M6×20		15
7	R134-1508-00	201.01.900066	Cross recessed hexagon bolt set M6×30		6
8	R134-1509-00	201.01.900192	Hexagon screw M4×12		15
9	R134-1510-00	201.01.108005	Hexagon flat head screw M6×25		6
10	R134-1511-00	201.04.023001	Cross recessed hexagon bolt set M8×45		4
11	R134-1512-00	201.01.100049	Cross recessed pan head screw M4×20		5

**NOTE:** Part models are subject to change without notice.

### 3. PART NAME

#### Key Components





## 4. SET UP & INSTALLATION

### ⚠ NOTICE

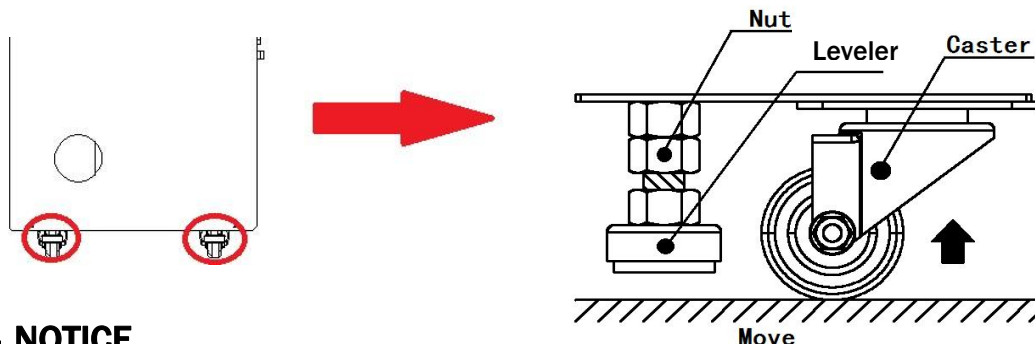
**We do not recommend using power tools as they may cause damage.**

⚠ **This product is an indoor game machine. Do not install outdoors.**

- Refer to IMPORTANT SAFETY INSTRUCTIONS (Pg. 3) for places to avoid.
- Place the unit on a dry level surface.
- Ventilation openings in the back of the unit must not be obstructed by objects or by wall.

### 4.1 Transporting the Game

If you need to move the game, adjust the levelers back to an “up” position.



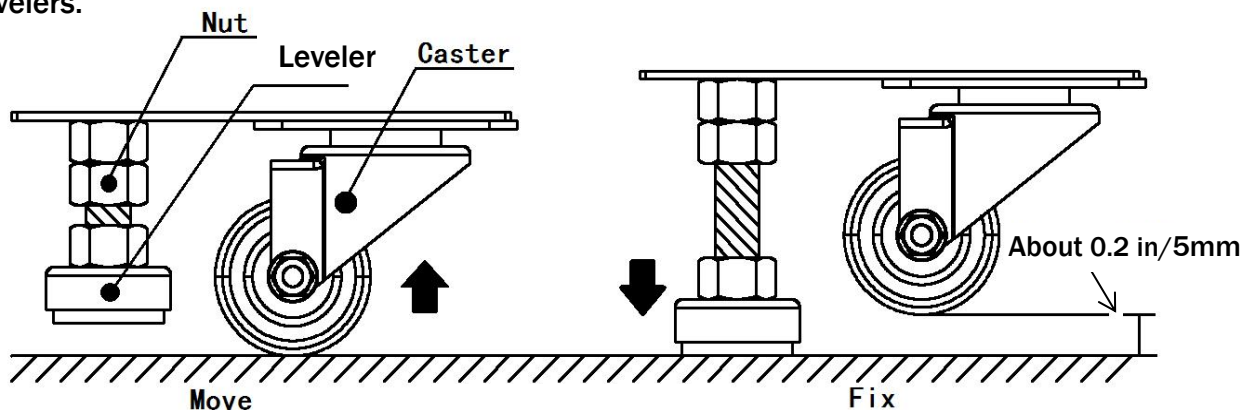
### ⚠ NOTICE

- Be careful not to damage the machine during transport.
- Always unplug the game before moving.
- Keep the machine in upright position during transport.
- For longer distance transport, package the game properly to prevent damages.

### 4.2 Level Adjustment

Install this game on a flat surface. If the game is installed on an unsuitable floor, it could cause game malfunction.

To secure the game, loosen the nut, utilize wrench to adjust the leveler down until it touches the floor, lifting the casters off the ground by 0.2 in/5mm. Repeat the same for all levelers.



### ⚠ NOTICE

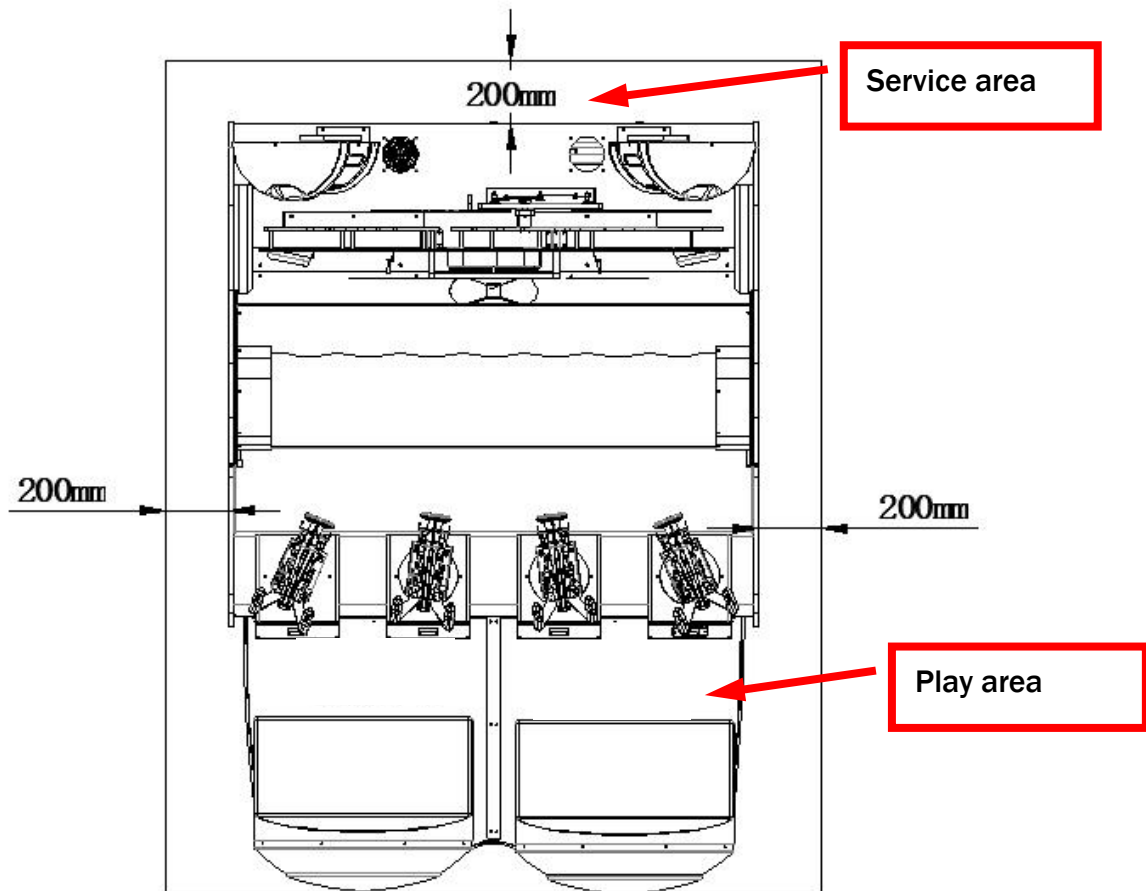
**Make sure the machine is level.**

### 4.3 Play Zone

This machine requires space for playing and for maintenance as shown below.

Leave space around the game upon installation:

Service area: 20 in

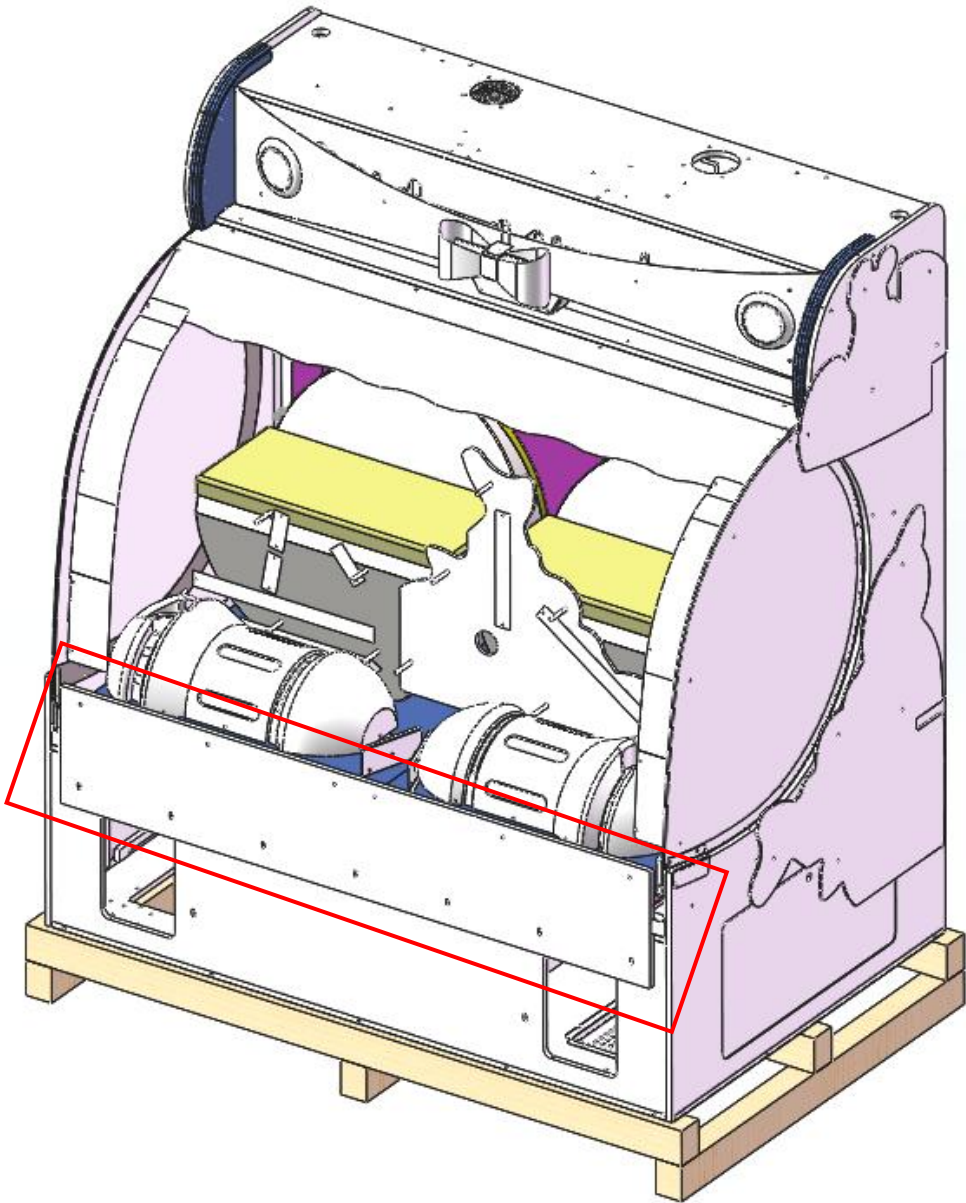


### NOTICE

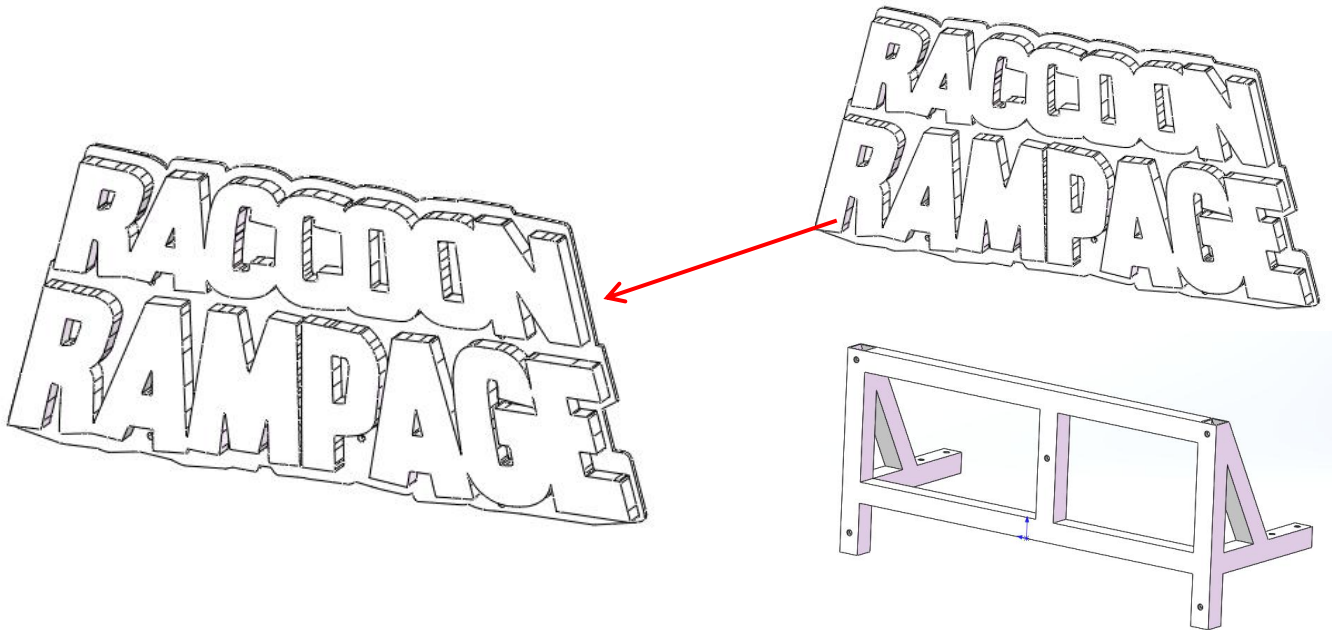
**Your unit must be leveled to operate properly.**

### 4.4 Machine Installation

Step 1 Remove all the screws as shown below. Remove Seat assembly.

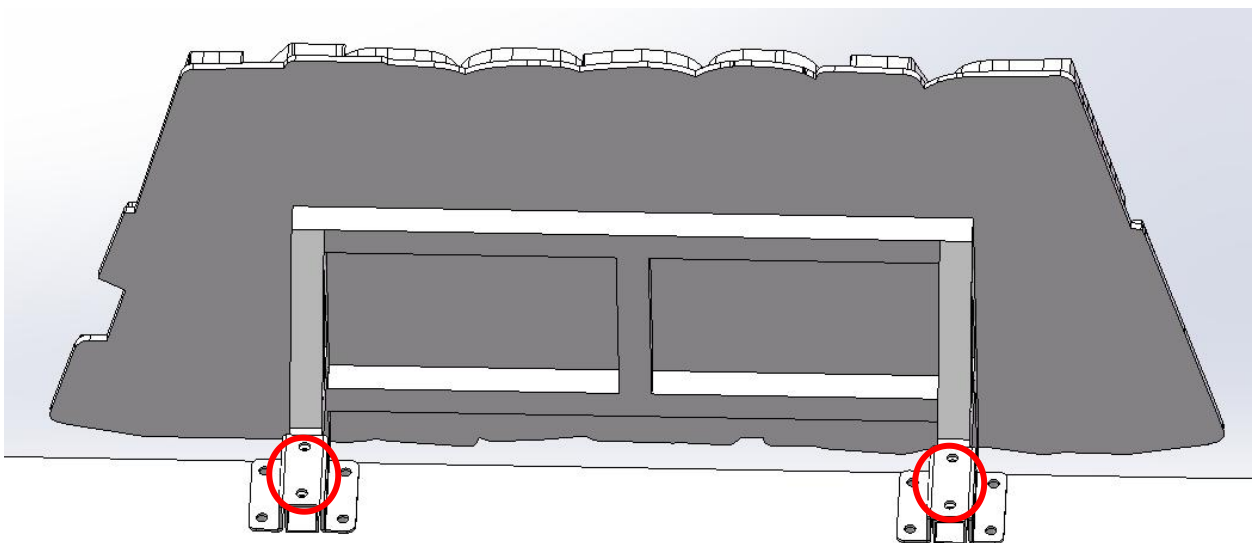


Step 2 Install LOGO marquee to the back bracket.



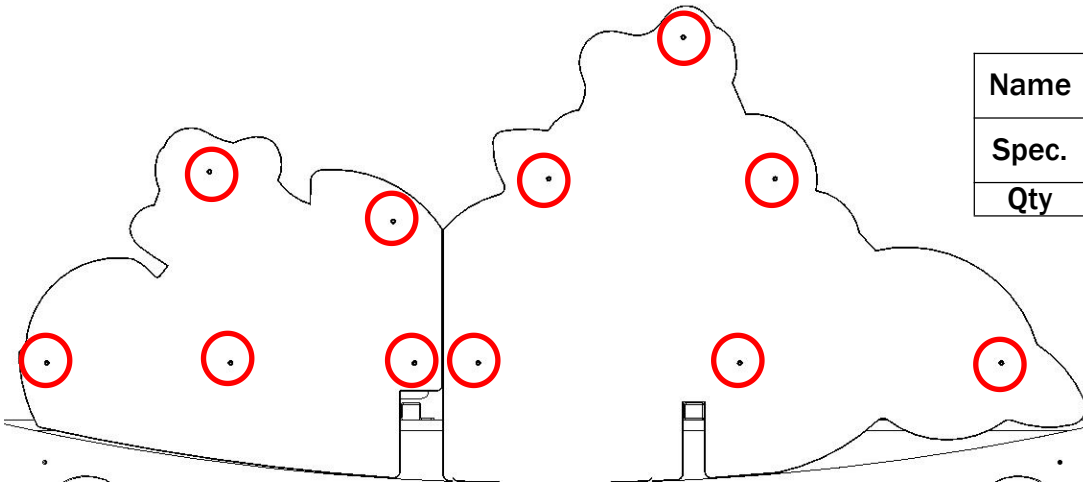
Name	Hexagon flat head screw
Spec.	M6×16
Qty	5

Step 3 Install marquee to the top of the cabinet.



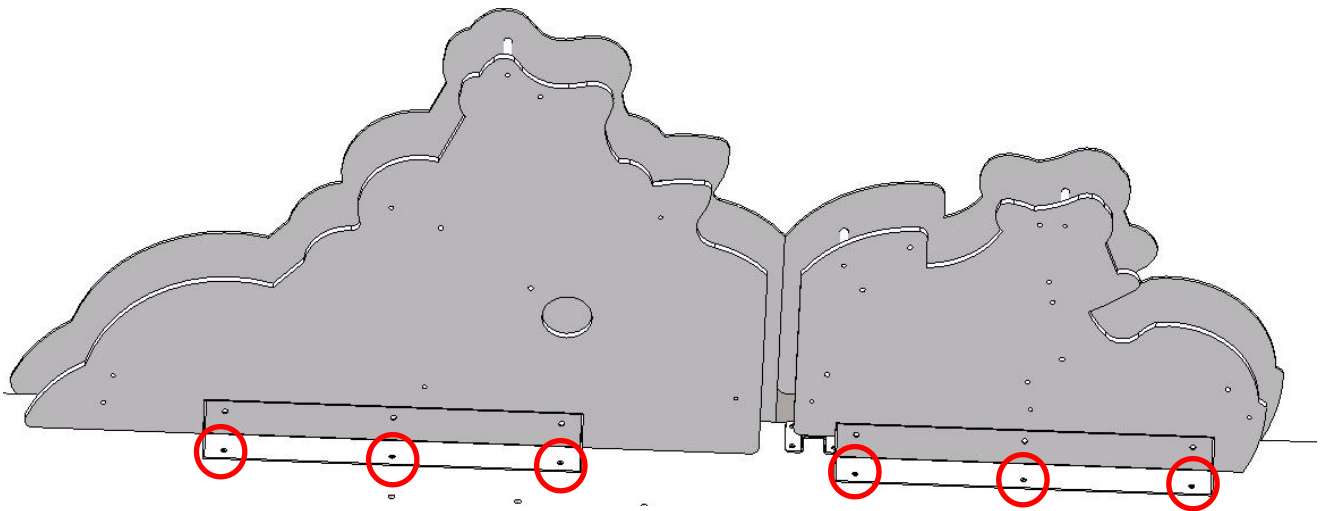
Name	Cross recessed hexagon bolt set
Spec.	M6×20
Qty	4

Step 4 Install back POP board.



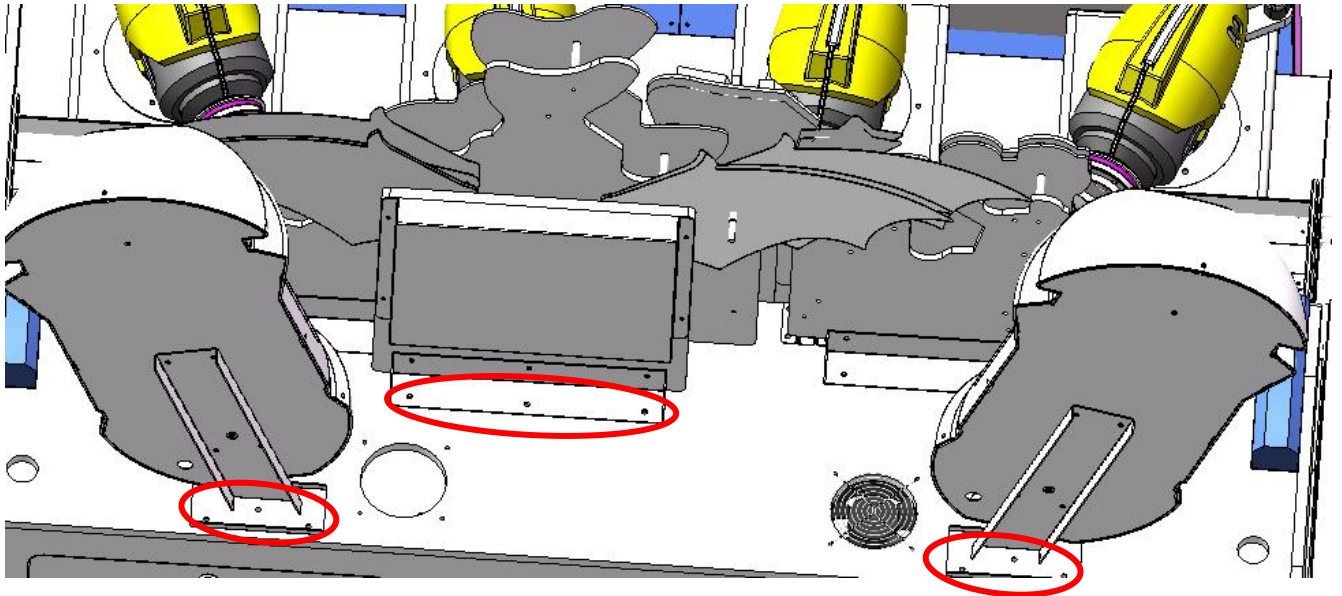
Name	Hexagon screw
Spec.	M4×12
Qty	11

Step 5 Install back decal board.



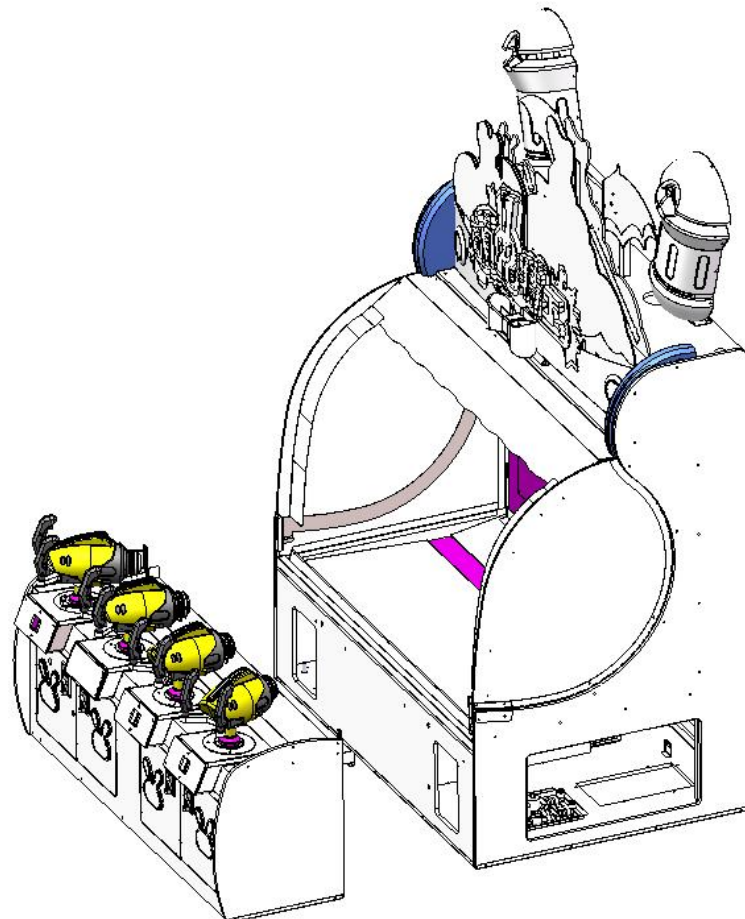
Name	Cross recessed hexagon bolt set
Spec.	M6×20
Qty	6

**Step 6 Install side marquee.**

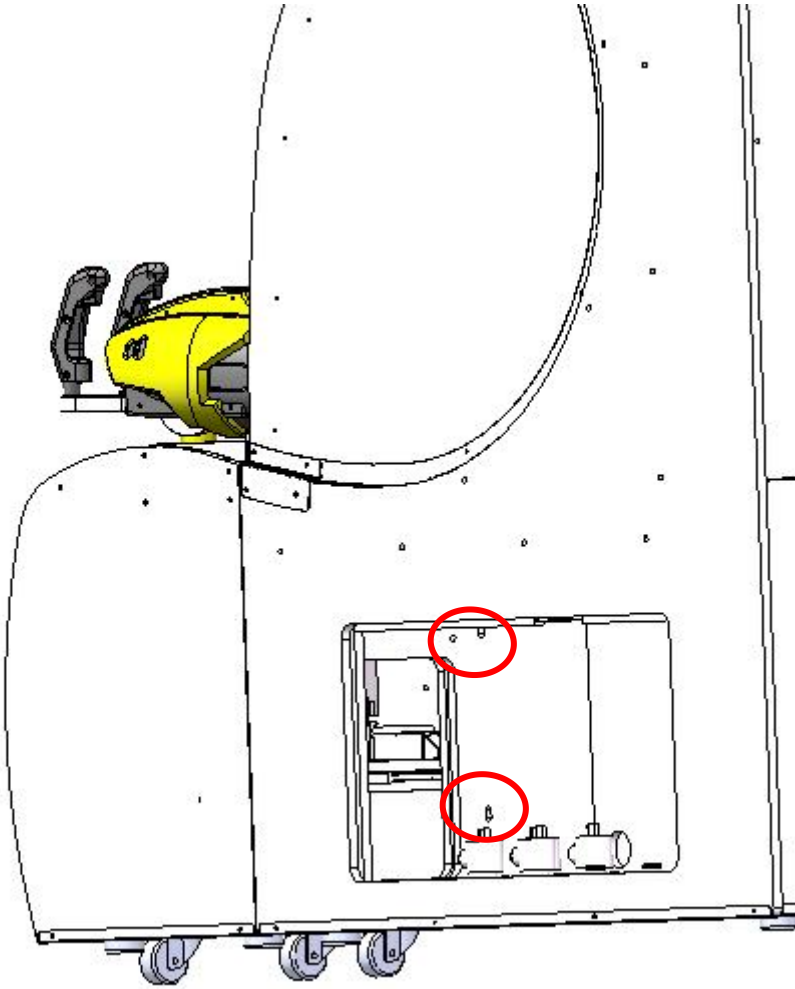


Name	Cross recessed hexagon bolt set
Spec.	M6×20
Qty	6

**Step 7 Align Gun panel assembly with the cabinet. Connect the connectors.**

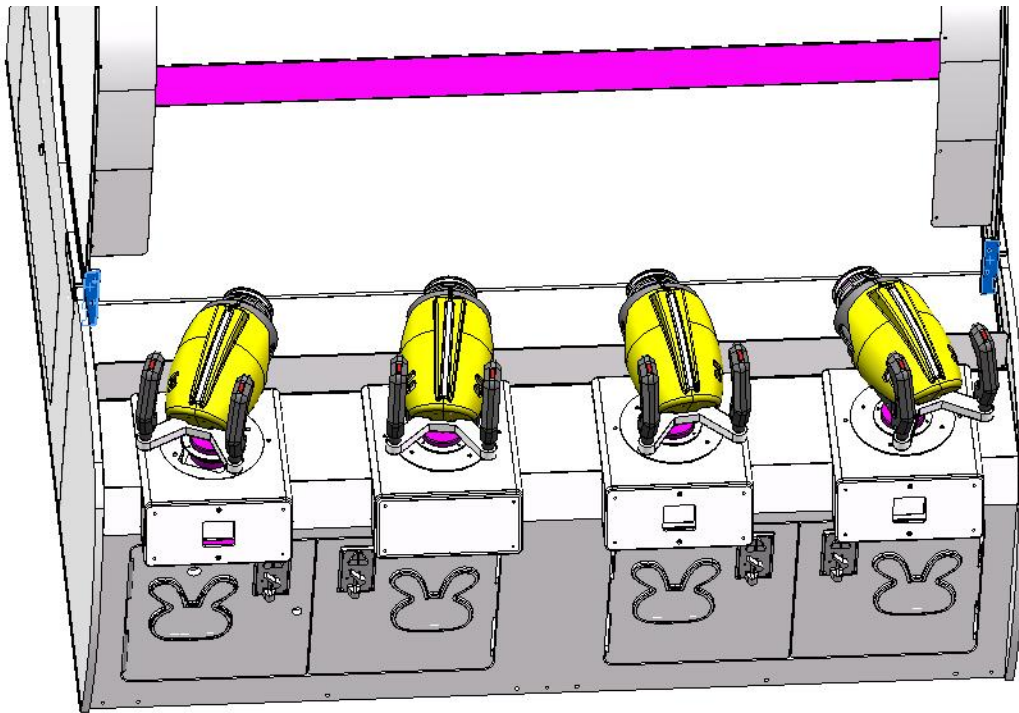


Step 8 Open side bottom door. Utilize screws to secure.



Name	Cross recessed hexagon bolt set
Spec.	M8×45
Qty	4

Step 9 Install Side blanking plate. Utilize screws to secure.



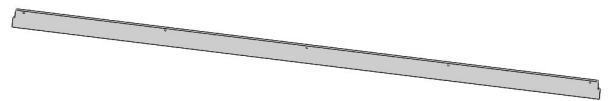
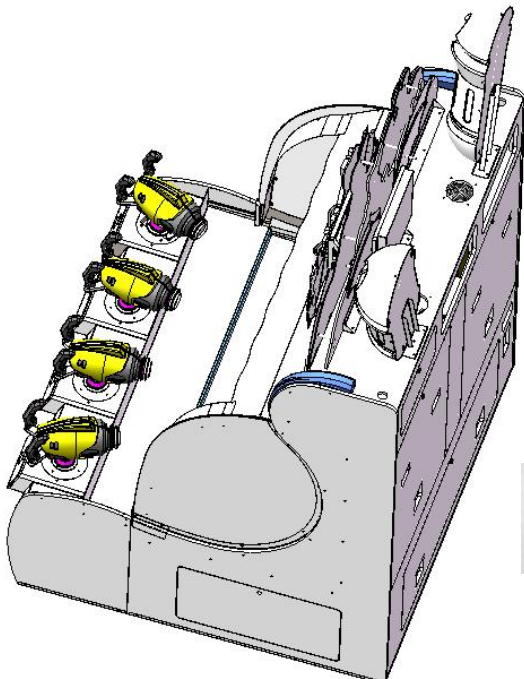
Name	L side blanking plate
Qty	1



Name	R side blanking plate
Qty	1

Name	Hexagon screw
Spec.	M4×12
Qty	4

Step 10 Install water proof plate between the gun assy. and cabinet.



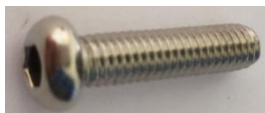
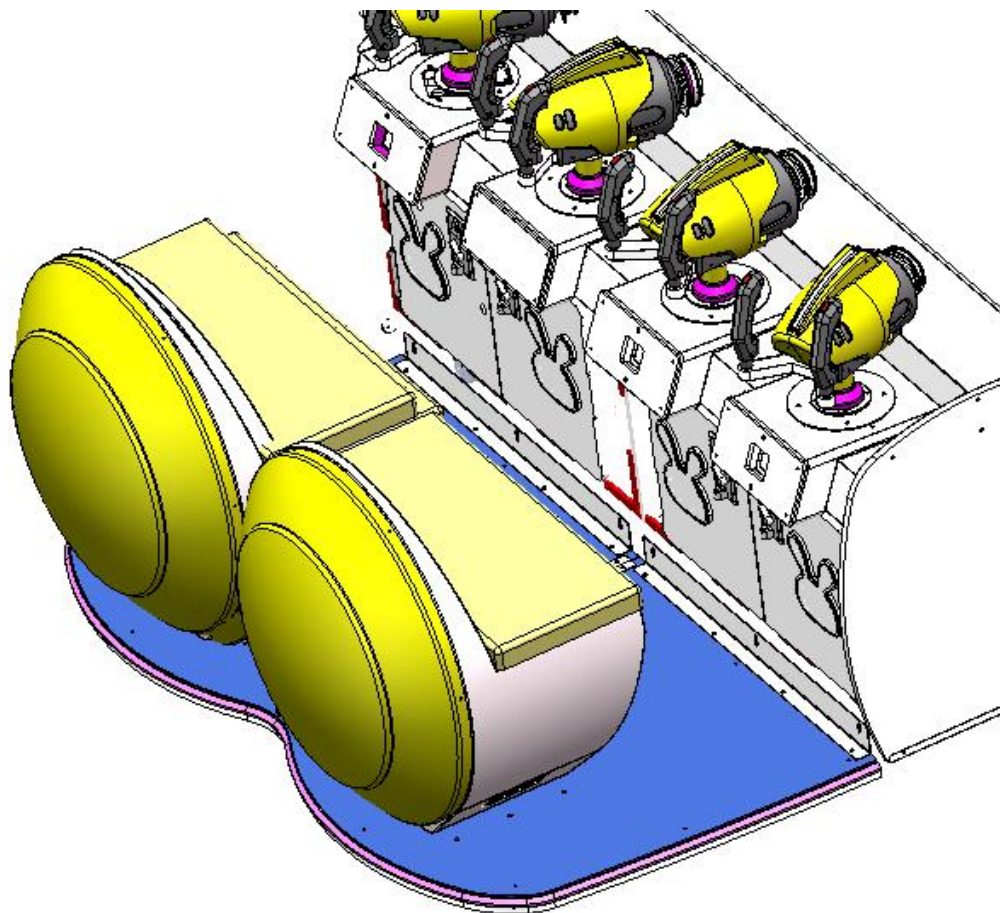
Name	water proof plate
Qty	1



Name	Cross recessed pan head screw
Spec.	M4×20
Qty	5



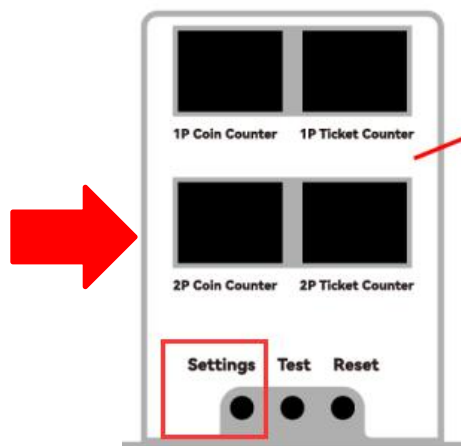
Step 11 Align Gun panel assembly with the cabinet. Connect the connectors



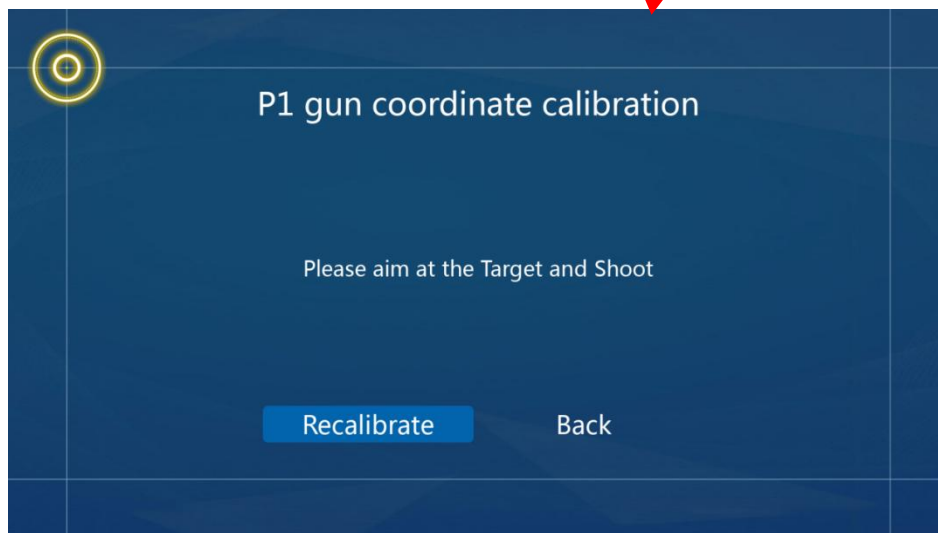
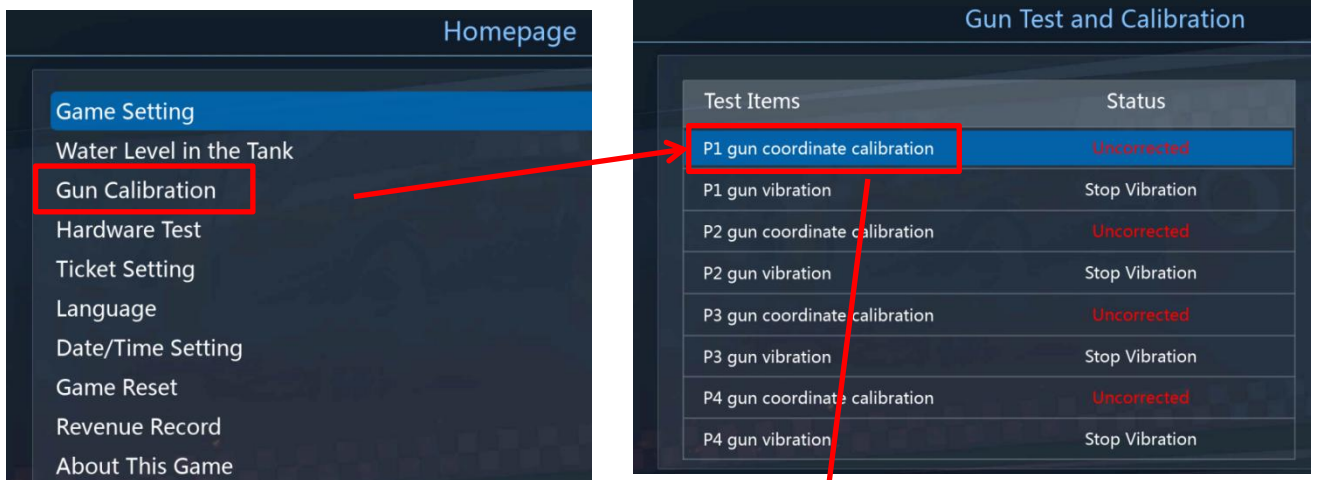
Name	Hexagon flat head screw
Spec.	M6×25
Qty	5

Step 12 Open back door. Add distilled water to the tank about **60L**. (Mind the tank label.)

Step 13 Power on the machine. Open the service door. Press Settings to enter Menu.



Step 14 Select “Gun Calibration”– “P1/2/3/4 gun coordinate calibration” to calibrate gun.



**Finish!**

#### 4.5 Card Reader Installation Safety Notice



Take precaution to assure that all wiring voltages are confirmed prior to installation of card reader. All warranties are void if not properly installed resulting in logic board damage.

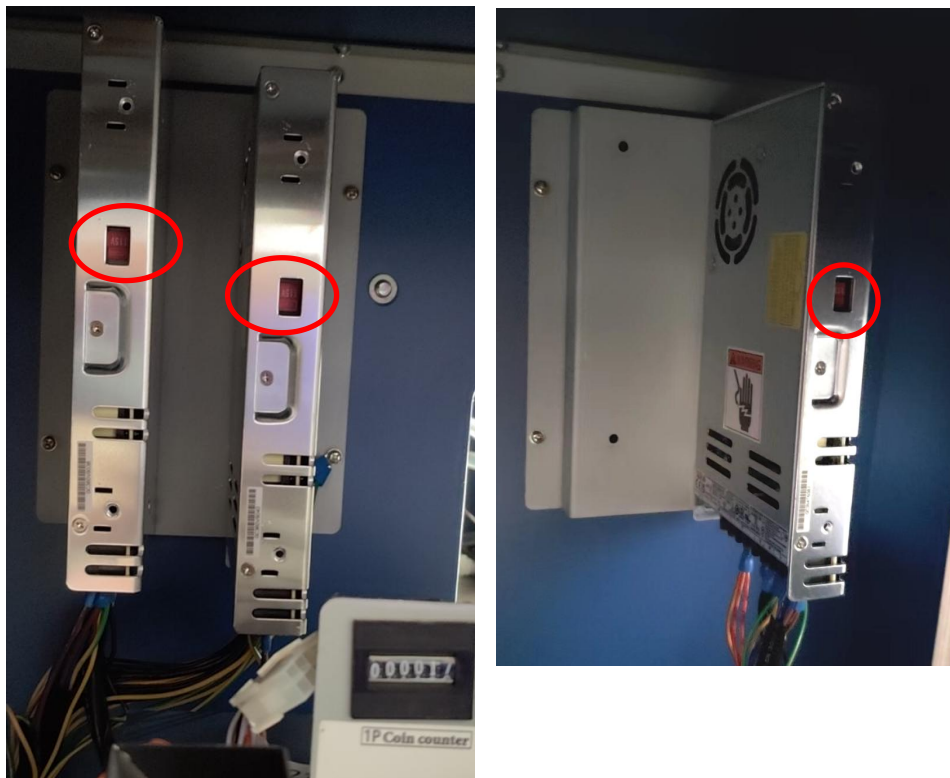
**Important:** This game is pre-wired to AAMA standards. It is highly recommended to utilize this wiring for Card reader installation.

#### 4.5 Voltage Conversion (110V to 220V)

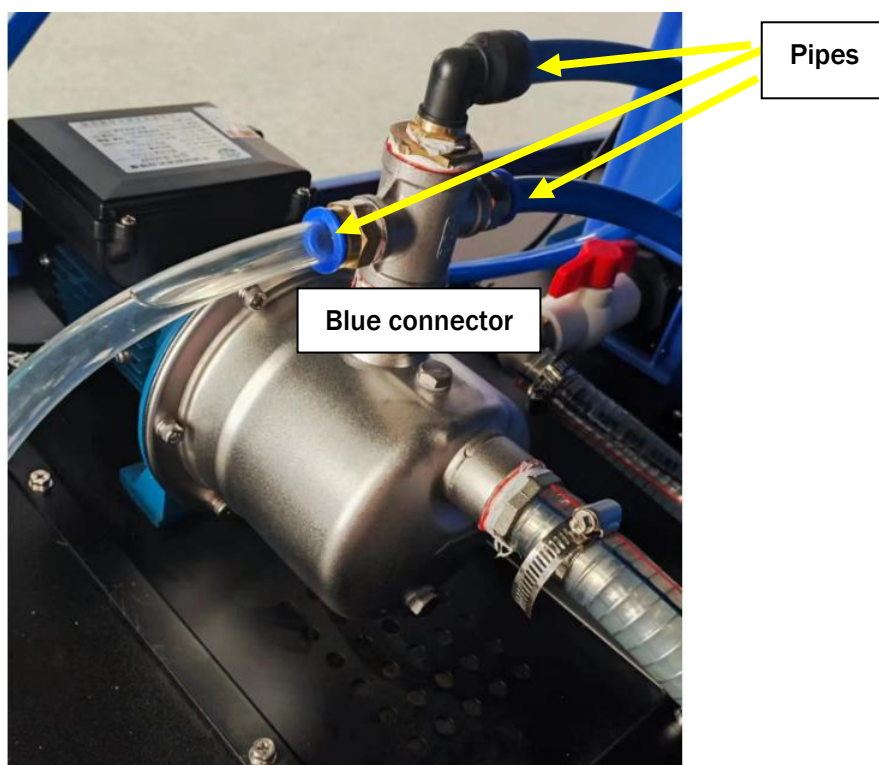
Notice: 110V Pump needs to be replaced with 220V pump. Please contact **UNIS Service**.

Step 1 Power off the machine. Locate the Power supply.

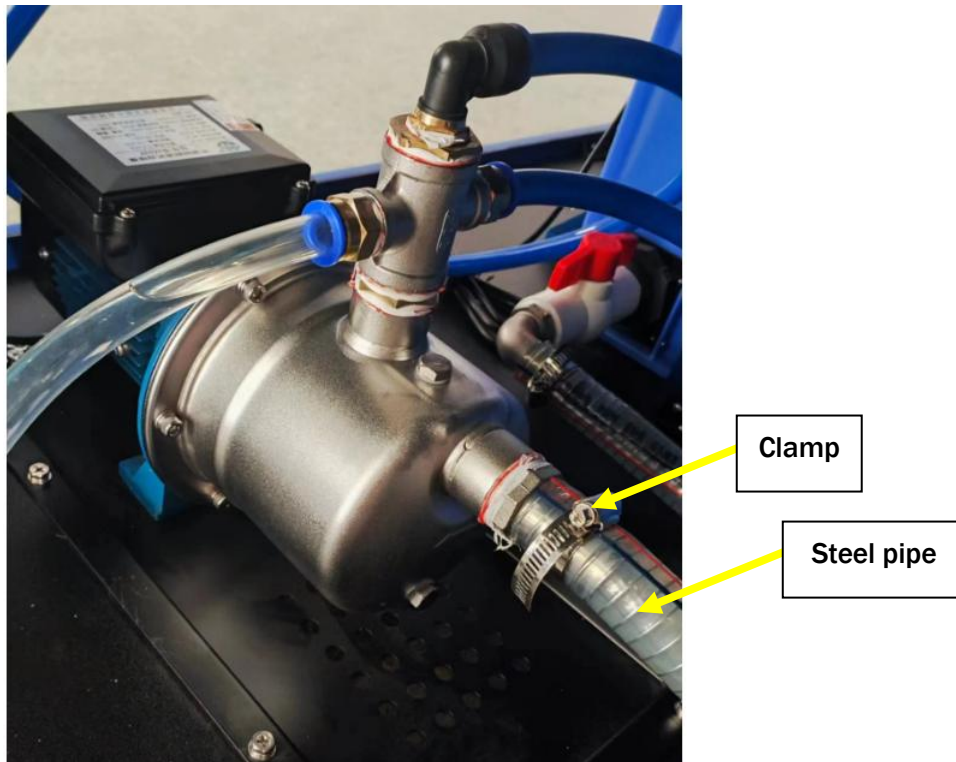
Step 2 Toggle the Power supply and PC switch to 230V.



Step 3 Open Back door and locate Pump. Unplug and remove 3 pipe (Hold the Blue connector when unplug the pipes.)

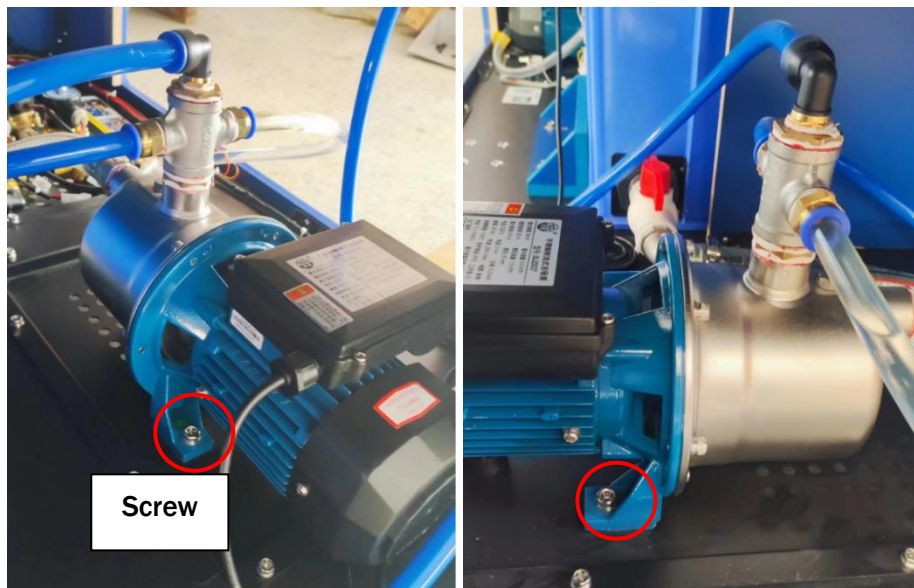


Step 2 Utilize 7mm Allen wrench to loosen clamp. Unplug steel pipe as shown below,



Step 3 Loosen 2 screws to remove Water bump. Replace it with 220V bump and install it in reserved order.

Notice: Be sure to insert all 3 pipes firmly.



**Finish!**

## 5. HOW TO PLAY

5.1 Insert coin(s), Press gun red button to start.



5.2 aim at target and shoot to win score and energy.



5.3 Press button to use skill when energy is full.

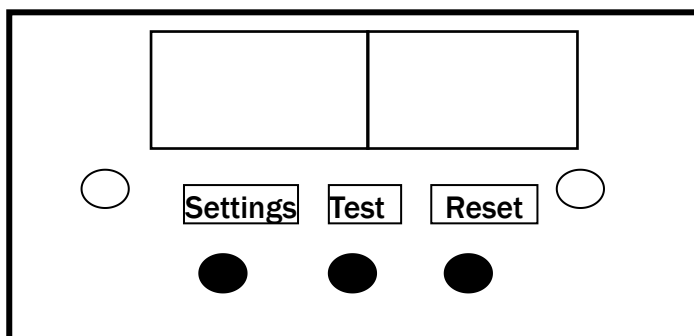


5.4 Avoid enemy shooting and shoot them down.



## 6. GAME OPTION

### 6.1 Adjustment button instruction



Open the coin door and there is a meter panel. Press Settings button to enter the setting menu.

### 6.2 Setting menu

#### 6.2.1 Main menu

<b>Options</b>
Game Setting
Water Level in the Tank
Gun Calibration
Hardware Test
Ticket Setting
Language
Date/Time Setting
Game Reset
Revenue Record
About this game
Back to game

#### 6.2.2 Game Setting

Options	Status
Freeplay mode	ON/ OFF
Payment Mode	Insert Coin Only/ Tap Card Only/ Insert Bills Only/ Insert Coin & Tap Card/ Insert Card Only
Coins/Game	1-99
Continue Coins	1-99
Demo Music	ON/ OFF
Volume	0-10
Memory Save	ON/ OFF
Back	

### 6.2.3 Water Level in the Tank

Options	Status
Level Status	Water level low/ Keep adding water/ Water level normal/ Water level is too high
Low light	ON/ OFF
Middle light	
High light	
Water Level Detection	ON/ OFF
Front Drain	OFF/ Manually open the Front Drain Faucet/Start automatic drainage/ Manually close the Front Drain Faucet
Rear Drain	OFF/ Manually open the Rear Drain Faucet/ Start automatic drainage/ Manually close the Rear Drain Faucet
Back	

### 6.2.4 Gun Calibration

Options	Status
P1 gun coordinate calibration	Uncorrected/ Corrected
P1 gun vibration	Stop Vibration/ Vibration Level 1-3
P2 gun coordinate calibration	Uncorrected/ Corrected
P2 gun vibration	Stop Vibration/ Vibration Level 1-3
P3 gun coordinate calibration	Uncorrected/ Corrected
P3 gun vibration	Stop Vibration/ Vibration Level 1-3
P4 gun coordinate calibration	Uncorrected/ Corrected
P4 gun vibration	Stop Vibration/ Vibration Level 1-3
Back	

### 6.2.5 Hardware Test

Options
Input Test
Light Test
Marquee Test
Ticket Test
Counter Test
Water Gun Test
Aging Test
Sound Test

## 6.2.5.1 Input Test

Options	Status
P1 coin	0-99
P2 coin	0-99
P3 coin	0-99
P4 coin	0-99
P1 start button	
P2 start button	
P3 start button	
P4 start button	
Back	

## 6.2.5.2 Light Test

Options	Status
P1 Gun Light	OFF/ Continuous / Flash
P2 Gun Light	
P3 Gun Light	
P4 Gun Light	
Left & Right Border Lights	OFF / Left Flash / Left Continuous / Right Flash / Right Continuous / Flash / Continuous
Disinfection Light	OFF / Continuous
P1/P2 Out of Ticket Light	OFF / Continuous / Flash
P3/P4 Out of Ticket Light	OFF / Continuous / Flash
Back	

## 6.2.5.3 Marquee Test

Options	Status
Character 1	ON/ OFF
Character 2	ON/ OFF
Back	



### 6.2.5.4 Ticket Test

Options	Status
P1 Out Ticket Test	0-99
P2 Out Ticket Test	0-99
P3 Out Ticket Test	0-99
P4 Out Ticket Test	0-99
Back	

### 6.2.5.5 Counter Test

Options	Status
P1 Lock Coin	ON/ OFF
P2 Lock Coin	ON/ OFF
P3 Lock Coin	ON/ OFF
P4 Lock Coin	ON/ OFF
P1 Coin Counter	
P2 Coin Counter	
P3 Coin Counter	
P4 Coin Counter	
P1 Ticket Counter	
P2 Ticket Counter	
P3 Ticket Counter	
P4 Ticket Counter	
Back	

### 6.2.5.6 Water Gun Test

Options	Status
P1 inner water shooting	ON/ OFF
P2 inner water shooting	ON/ OFF
P3 inner water shooting	ON/ OFF
P4 inner water shooting	ON/ OFF
P1 outer water shooting	ON/ OFF
P2 outer water shooting	ON/ OFF
P3 outer water shooting	ON/ OFF
P4 outer water shooting	ON/ OFF
Back	

### 6.2.5.7 Aging Test

<b>Options</b>
Water Gun Inner Side Testing....
Water Gun Outer Side Testing....
Water Gun Inner Side Testing Time
Water Gun Outer Side Testing Time
Start
Stop
Next
Back

### 6.2.5.8 Sound Test

<b>Options</b>
Stereo Test
Left Channel Test
Right Channel Test
Back

### 6.2.6 Ticket Setting

<b>Options</b>	<b>Status</b>
Ticket Out	ON/ OFF
Tickets per 50,000 score	1-99
Ticket Owed mode	Memory Ticket/ Call Attendant
Back	

### 6.2.7 Language

<b>Options</b>
Chinese
English
Back

### 6.2.8 Date/Time Setting

Options	Status
Year	1970-2070
Month	1-12
Day	1-31
Hour	0-24
Min	0-59
Sec	0-59
Back	

### 6.2.9 Game Reset

Options	Status
Clear Revenue Record	OK / Cancel
Clear Unused Coins	OK / Cancel
Clear Ranking Data	OK / Cancel
Reset Game Settings	OK / Cancel
Restore factory default	OK / Cancel
Back	

### 6.2.10 Revenue Record

Options
Daily Revenue
Monthly Revenue
Total Revenue

## 7. TROUBLESHOOTINGS







### 7.1 Common Problem

Please confirm that all connectors fit tightly.

Symptom	Possible Cause	Recommended action
Game will not start	Frame assembly connector is loose.	Check connector.
	Frame assembly fault	Contact with UNIS Service.
Power off	Circuit protector make power SW in off state.	Turn on power SW again. If appeared again and again, machine has anomaly. Please contact with UNIS Service.
Card reader not working	The connector is loose.	Check connector.
	Card reader fault.	Check with card reader manufacturer.
No sound	Low volume	Raise the volume.
	Connector loose.	Check connector.
	Speaker fault.	Check speaker.
	POT installation error.	Install POT correctly.
	POT fault.	Change POT.
	Audio cable problem.	Reconnect the audio cable or change it.
	PC crash.	Restart or system recovery.
Display black screen	Check connectors.	Plug in connector tightly
	Display fault.	Utilize another source such as a PC to verify if the display is operational.
	RAM is loose.	Remove and reinsert RAM.
Display blue screen	PC power cord is loose	Check PC power cord whether is loose.
	VGA signal cable is loose.	Check VGA cable
	PC video card is loose.	Reseat video card.
	“0X000000A” code appears. Conflict between computer drive and software.	Contact service

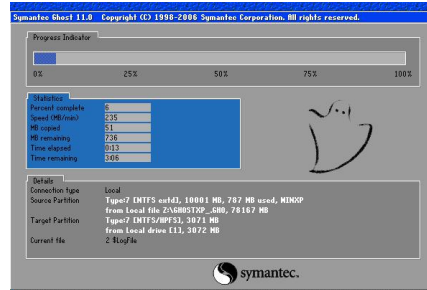
**Note:** After replacing component from PC (except for RAM), and replacing monitor, the game should be recovered again with the recovery stick attached to the machine.

If you see following error signs showing on the display, please try the recommended action.

Display	Possible Cause	Recommended action
<p>IO board connection failed</p> 	<p>IO board plug is loose.</p>	<p>Reinsert the IO board plug.</p>
	<p>IO board is faulty.</p>	<p>Replace the IO board.</p>
<p>Dongle failed</p> 	<p>Dongle is loose.</p>	<p>Reinsert the dongle.</p>
	<p>Dongle is faulty.</p>	<p>Replace the dongle.</p>
<p>The guns are not calibrated</p> 	<p>P1/2/3 gun is not calibrated</p>	<p>Enter Setting menu to calibrate gun.</p>
<p>Water level low</p> 	<p>No water in the tank</p>	<p>Add water</p>
<p>Water level is too high</p> 	<p>Water level is too high.</p>	<p>Drain water</p>
	<p>Out of tickets</p>	<p>Refill tickets</p>

## 7.2 System Recovery Operation **(NOTE: Do not disconnect power during this process.)**

1. Turn off the game. Remove the recovery stick from the machine. (Note: This process may take up to 60 minutes) Insert the recovery stick into the port at the back of the computer.
2. Restart PC to enter the system recovery screen as shown.



3. The game will automatically start recovery.
4. Once system recovery is partially finished (as shown below), and the ICON appears, remove the recovery stick from the computer. The game will continue the install process.

OK to remove the recovery stick.



5. Assure that the recovery stick has been properly secured for future use.



**WARNING:** The recovery stick should only be used to fix software errors. Using it for other purposes may cause unexpected results and damages.

## 8. MAINTENANCE & INSPECTION

### 8.1 Safety Check

Check the points listed before operating the machine. These checks are necessary for safe machine operation:

1. Test game before operation each day.
2. Conduct monthly routine checks of game components to ensure good working condition.
3. Check the machine regularly for dust and clean when necessary.

**Note:** Parts and components require preventative maintenance to maintain proper operation.

### 8.2 Handling Precautions

When installing or inspecting the machine, be very careful and pay attention to ensure that the player can enjoy the game safely.

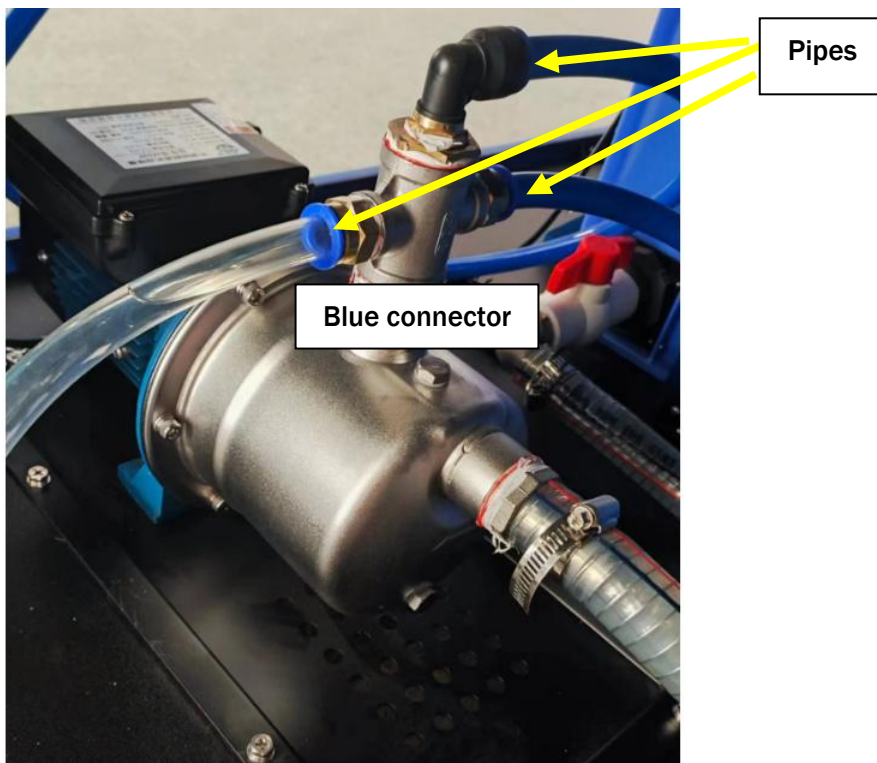
Inappropriate handling running counter to the cautionary matters can cause personal injury or damage to the machine.

#### NOTICE

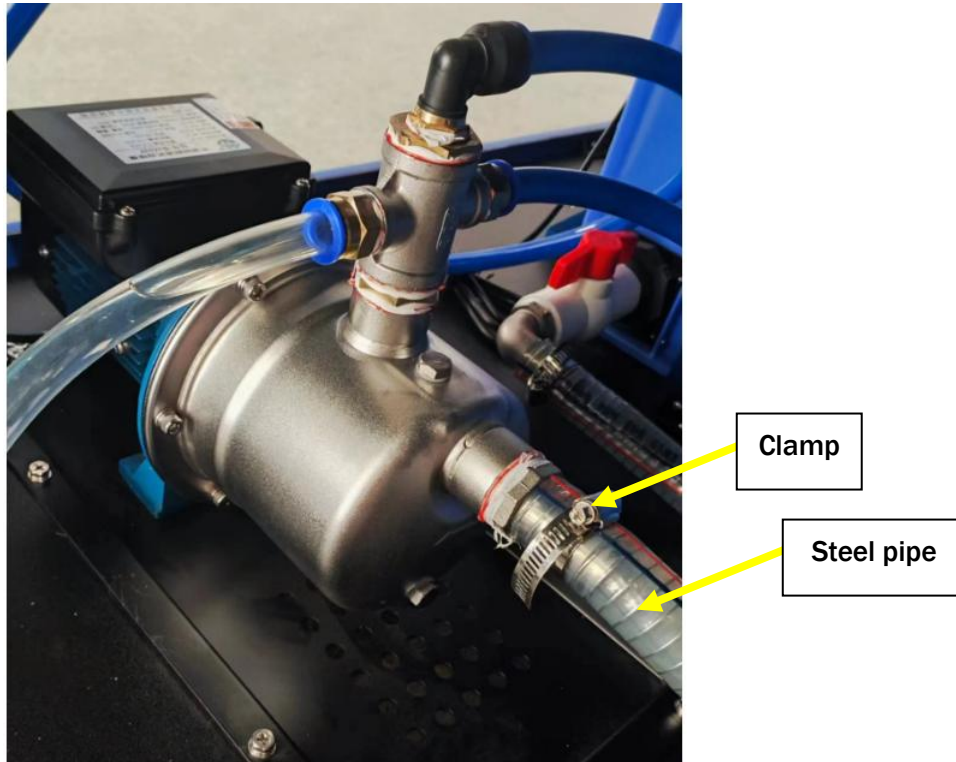
**We do not recommend using power tools as they may cause damage.**

### 8.3 Water Bump Replacement Instructions

**Step 1** Power off the machine. Open back bottom door. Unplug and remove 3 pipe (Hold the Blue connector when unplug the pipes.)

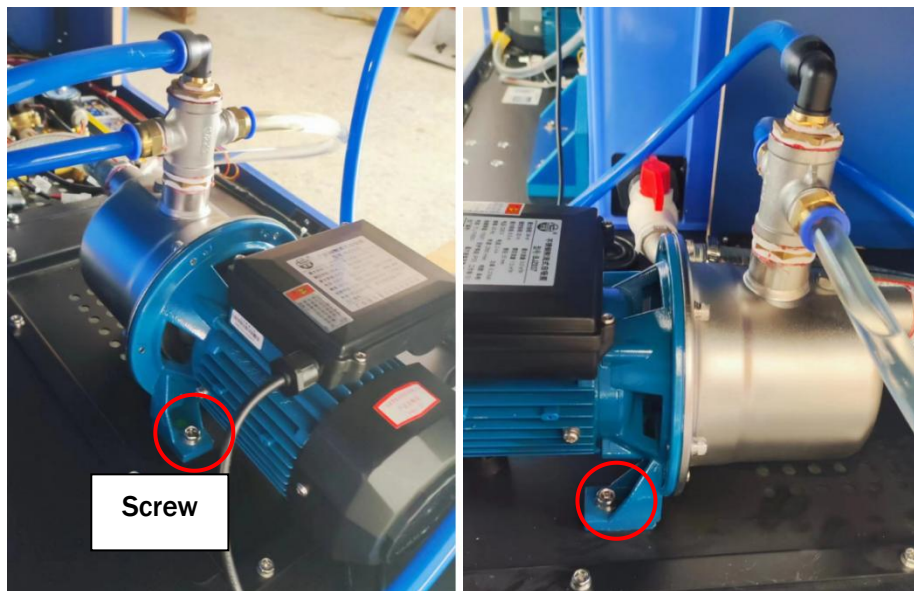


Step 2 Utilize 7mm Allen wrench to loosen clamp. Unplug steel pipe as shown below,



Step 3 Loosen 2 screws to remove Water bump. Replace it with new bump and install it in reserved order.

Notice: Be sure to insert all 3 pipes firmly.

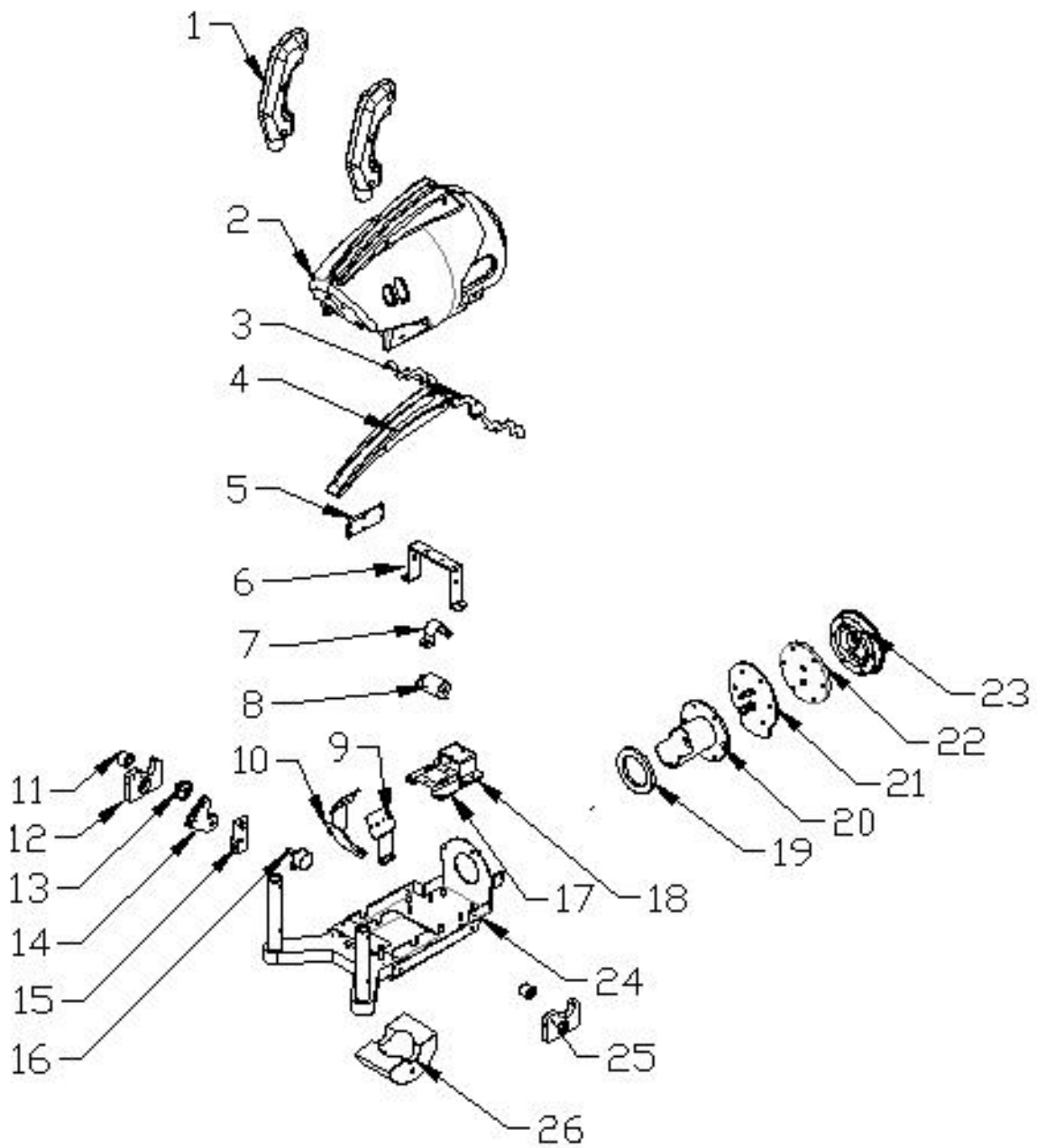


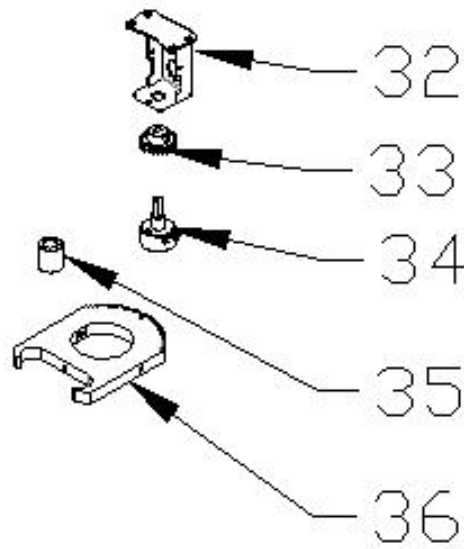
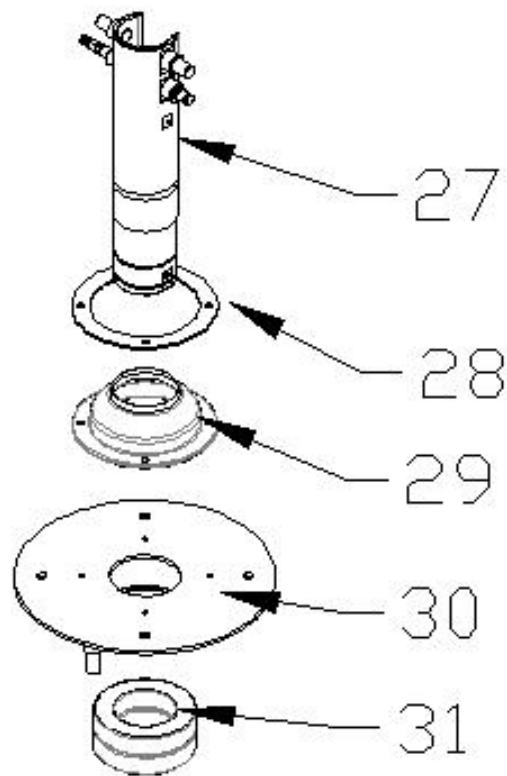
**Finish!**



## 9. OVERALL CONSTRUCTION

### 9.1 Water Gun Assembly



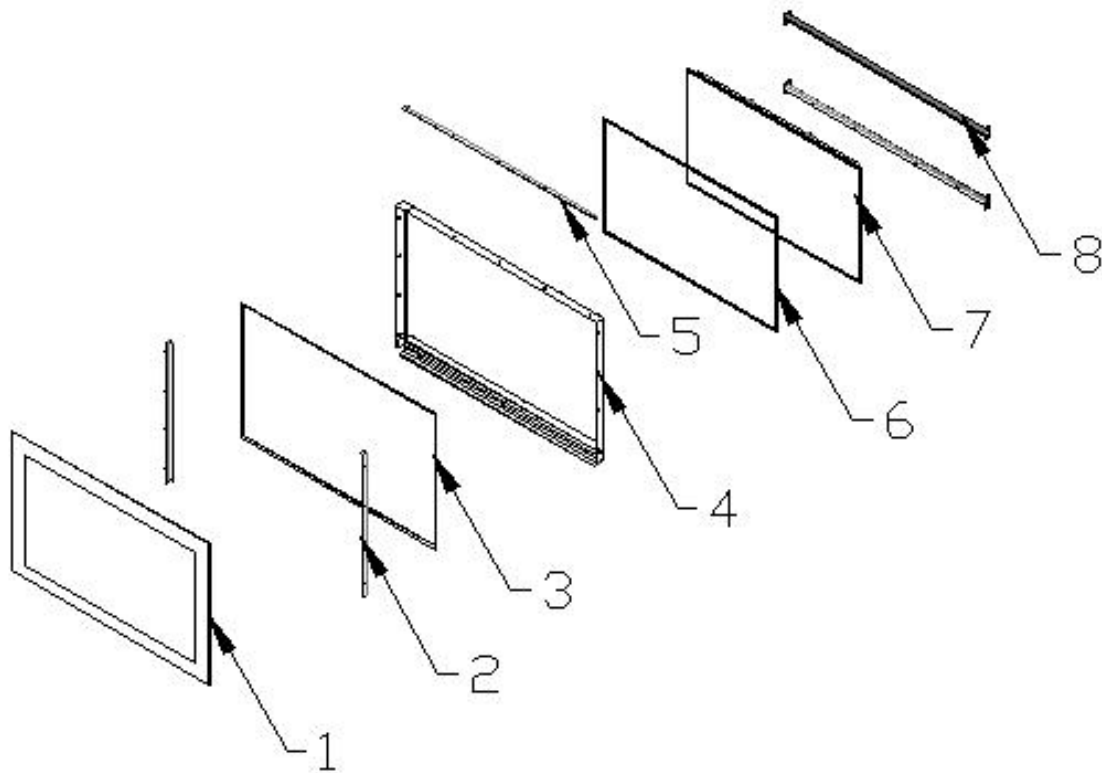


*Raccoon Rampage GMP Manual*

No.	Part No.	Code No.	Name	Version	Qty
1	R134-1343-00	208.4.11.23.001	Gun handle	1.1	1x4
2	R134-1311-00	206.4.2216.007	L shell	1.1	1x4
	R134-1312-00	206.4.2216.008	R shell	1.1	1x4
3	R134-1348-00	202.4.2216.024	Gun front mid decoration plastic	1.1	1x4
4	R134-1313-00	202.4.2216.018	Gun mid light fixing plate	1.1	1x4
5	R134-1352-00	202.4.2216.016	Gun front side light plate	1.1	1x4
6	R134-1351-00	202.4.2216.015	Gun inner pipe fixing bracket	1.1	1x4
7	R134-1220-00	202.4.2157.126	Shaking motor pressing plate	1.1	1x4
8	R134-1223-00	2.34.04.010069	DC motor	1.1	1x4
9	R134-1358-00	202.4.2216.017	Gun back side light plate	1.1	2x4
10	R134-1359-00	202.4.2216.019	Gun back fixing plate	1.1	1x4
11	R134-1354-00	206.4.2157.038	Up&down limit rubber	1.1	1x4
12	R134-1325-00	202.4.2157.008A	Bearing fixing plate	1.1	1x4
13	R134-1319-00	202.4.2157.092	POT gear	1.1	1x4
14	R134-1356-00	202.4.2216.023	Upper coder gear	1.1	1x4
15	R134-1355-00	202.4.2216.021	Up&down POT fixing plate	1.1	1x4
16	R134-1667-00	2.25.01000030	5K POT	1.1	1x4
17	R134-1350-00	202.4.2216.013	Shaking motor fixing plate	1.1	1x4
18	R134-1334-00	202.4.2157.025A	Front pipe fixing plate	1.1	1x4
19	R134-1360-00	206.4.2216.011	Gun head pad	1.1	1x4
20	R134-1335-00	202.4.2216.014	Gun front pipe	1.1	1x4
21	R134-1336-00	202.4.2157.119C	Gun back cover	1.1	1x4
22	R134-1340-00	206.4.2157.046	Waterproof pad	1.1	1x4
23	R134-1341-00	206.4.2157.044	Gun front cover	1.1	1x4
24	R134-1302-00	202.4.2216.012	Gun base steel plate	1.1	1x4
25	R134-1329-00	202.4.2157.066A	Bearing R fixing plate	1.1	1x4
	R134-1327-00	201.06.000069	Bearing	1.1	2x4

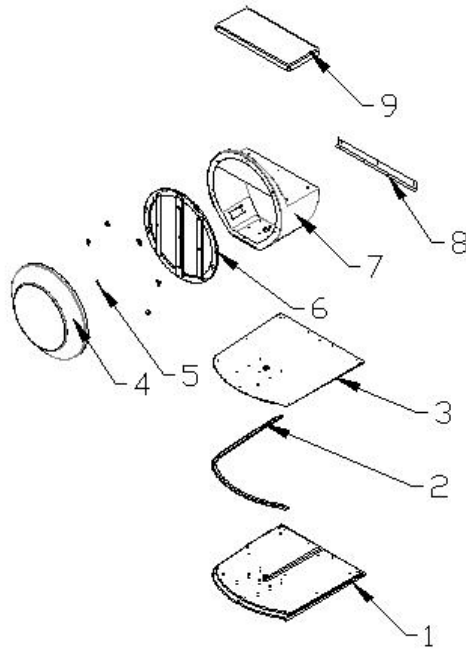
No.	Part No.	Code No.	Name	Version	Qty
26	R134-1346-00	206.4.2157.037	Decoration nylon	1.1	1x4
27	R134-1304-00	202.4.2157.022A	Rotating shaft	1.1	1x4
28	R134-1306-00	202.4.2157.076	Gun protect cover plate	1.1	1x4
29	R134-1305-00	206.4.2157.045	Gun protect cover	1.1	1x4
30	R134-1330-00	202.4.2216.011	Gun base fixing plate	1.1	1x4
31	R134-1331-00	201.06.000332	Bearing	1.1	2x4
32	R134-1317-00	202.4.2157.020	L&R POT fixing plate	1.1	1x4
33	R134-1319-00	202.4.2157.092	POT gear	1.1	1x4
34	R134-1680-00	2.25.01000030	5K POT	1.1	1x4
35	R134-1308-00	206.4.1833.034	L&R limit rubber	1.1	1x4
36	R134-1366-00	202.4.2157.089	Mid gun bottom limit plate	1.1	1x4
	R134-1321-00	202.4.2216.022	Side gun bottom limit plate	1.1	1x4

## 9.2 Monitor Assembly



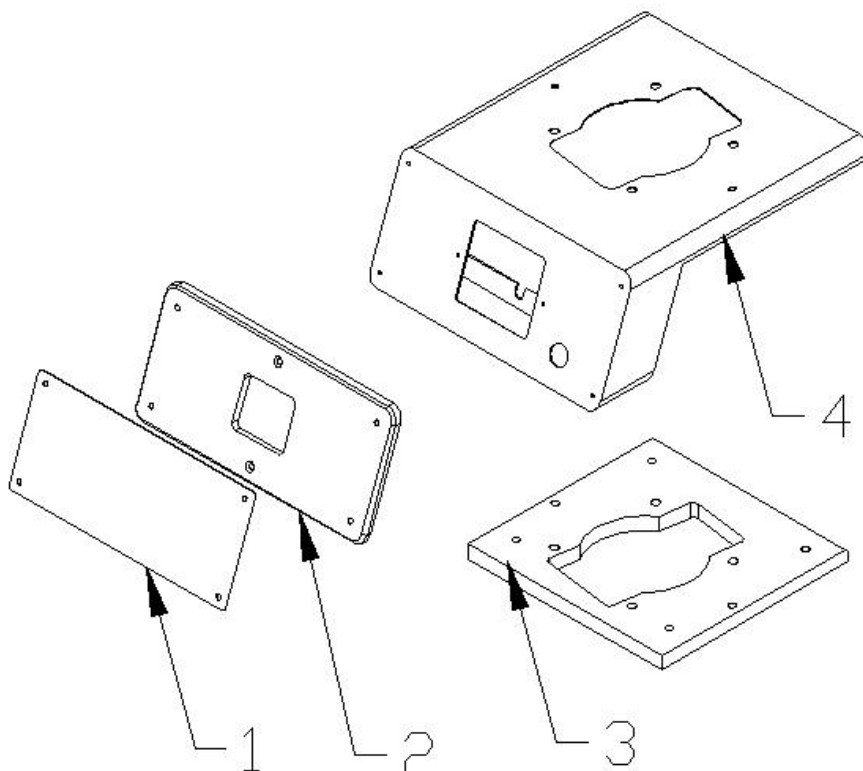
No.	Part No.	Code No.	Name	Version	Qty
1	R134-0708-00	206.4.2216.015	Monitor glass	1.1	1
2	R134-0707-00	202.4.2157.030B	Glass L pressing plate	1.1	1
	R134-0709-00	202.4.2157.031B	Glass R pressing plate	1.1	1
3	R134-0703-00	206.4.2157.018	Glass upper pad	1.1	1
	R134-0710-00	206.4.2157.017A	Glass L&R pad	1.1	2
	R134-0705-00	206.4.2157.016A	Glass bottom pad	1.1	1
4	R134-0702-00	202.4.2216.109	Monitor guide plate	1.1	1
5	R134-0706-00	202.4.2216.058	Glass top pressing plate	1.1	1
6	R134-0704-00	206.4.2157.020	Monitor up&bottom pad	1.1	1
	R134-0711-00	206.4.2157.019	Monitor L&R pad	1.1	1
7	R134-1669-00	2.12.01065002	65" monitor	1.1	1
8	R134-0712-00	202.4.2157.027	Monitor fixing plate	1.1	1

## 9.3 Seat assembly



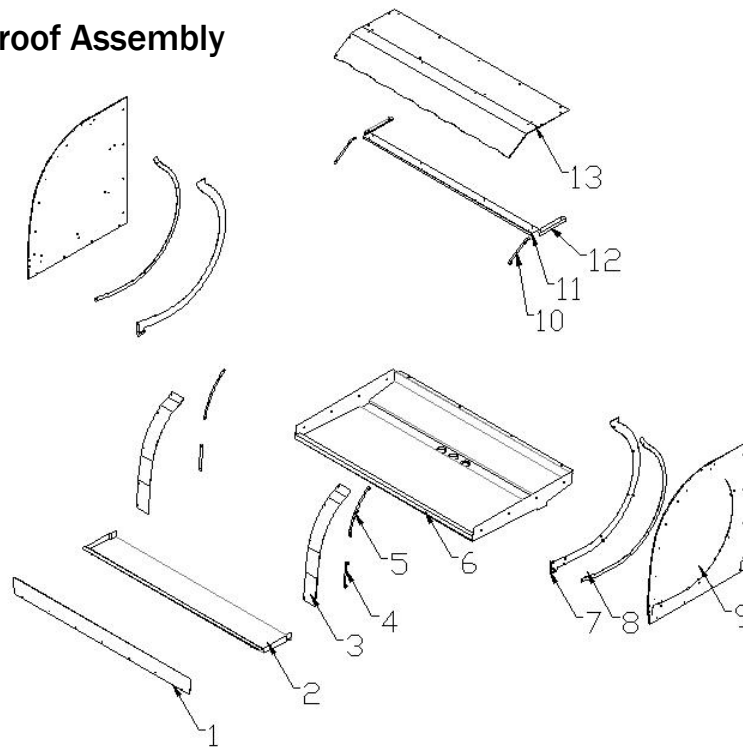
No.	Part No.	Code No.	Name	Version	Qty
1	R134-1210-00	203.4.2216.099	Seat L base board	1.1	1
	R134-1212-00	203.4.2216.100	Seat R base board	1.1	1
2	R134-1205-00	206.4.2216.027	L side light plastic	1.1	1
	R134-1206-00	206.4.2216.028	R side light plastic	1.1	1
	R134-1208-00	206.4.2216.029	L side back light plastic	1.1	1
	R134-1209-00	206.4.2216.030	R side back light plastic	1.1	1
3	R134-1211-00	203.4.2216.101	Seat L mid board	1.1	1
	R134-1213-00	203.4.2216.102	Seat R mid board	1.1	1
4	R134-1708-00	205.1.2206.308	Seat moulding acrylic	1.1	1
5	R134-1218-00	202.4.2216.105	Moulding mounting plate	1.1	12
6	R134-1217-00	203.4.2216.106	Seat moulding light fixing board	1.1	2
	R134-1214-00	203.4.2216.105	Seat moulding bottom fixing board	1.1	2
	R134-1215-00	203.4.2216.104	Seat moulding fixing board	1.1	4
	R134-1216-00	203.4.2216.117	Seat light side pad board	1.1	4
7	R134-1202-00	202.4.2216.114	Seat fixing plate	1.1	1
8	R134-1207-00	202.4.2216.080	L connect plate	1.1	2
9	R134-1203-00	206.4.2216.046	Seat foam	1.1	1

### 9.4 Gun Placing Assembly



No.	Part No.	Code No.	Name	Version	Qty
1	R134-0112-00	202.4.2216.084	Shading plate	1.1	1
2	R134-0114-00	206.4.2216.013	Card reader light plastic	1.1	1
3	R134-0104-00	203.4.2216.107	Gun base pad board P1	1.1	1
	R134-0107-00	203.4.2216.108	Gun base pad board P2	1.1	1
	R134-0109-00	203.4.2216.109	Gun base pad board P3	1.1	1
	R134-0111-00	203.4.2216.110	Gun base pad board P4	1.1	1
4	R134-0102-00	202.4.2216.115	Gun base support plate P1	1.1	1
	R134-0106-00	202.4.2216.116	Gun base support plate P2	1.1	1
	R134-0108-00	202.4.2216.117	Gun base support plate P3	1.1	1
	R134-0110-00	202.4.2216.118	Gun base support plate P4	1.1	1

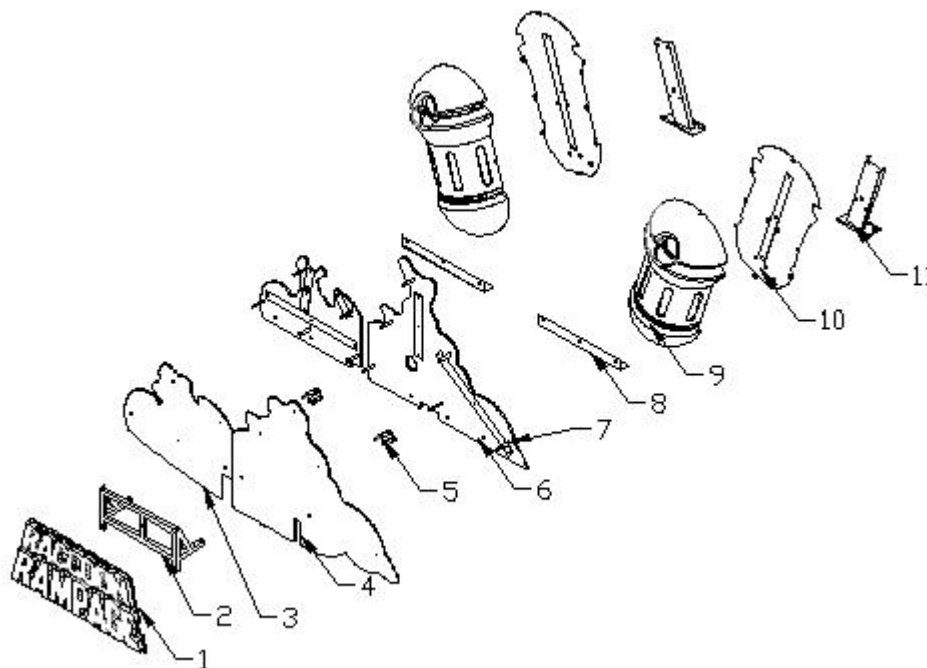
## 9.5 Waterproof Assembly



No.	Part No.	Code No.	Name	Version	Qty
1	R134-0214-00	206.4.2157.031	Front blocking PVC	1.1	1
2	R134-1003-00	202.4.2216.064A	Control panel watering plate	1.1	1
3	R134-0213-00	206.4.2216.048	Front side protect PVC	1.1	2
4	R134-0206-00	202.4.2216.066	Front side protect bottom fixing plate	1.1	2
5	R134-0205-00	202.4.2216.067	Front side protect mid fixing plate	1.1	2
6	R134-1002-00	202.4.2216.063	Watering plate	1.1	1
7	R134-0210-00	202.4.2216.071	Side plastic inner L connect plate	1.1	1
	R134-0227-00	202.4.2216.072	Side plastic inner R connect plate	1.1	1
8	R134-0219-00	202.4.2216.033	Side plastic outer blanking plate	1.1	1
9	R134-0204-00	206.4.2216.041	L side plastic	1.1	1
	R134-0218-00	206.4.2216.042	R side plastic	1.1	1
10	R134-0203-00	202.4.2216.068A	Front side protect upper L fixing plate	1.1	1
	R134-0226-00	202.4.2216.069A	Front side protect upper R fixing plate	1.1	1
11	R134-0225-00	202.4.2157.084A	Upper blocking front fixing plate	1.1	1
12	R134-0202-00	202.4.2216.065A	Top waterproof side fixing plate	1.1	1
13	R134-0212-00	206.4.2216.022A	Upper shading PVC	1.1	1

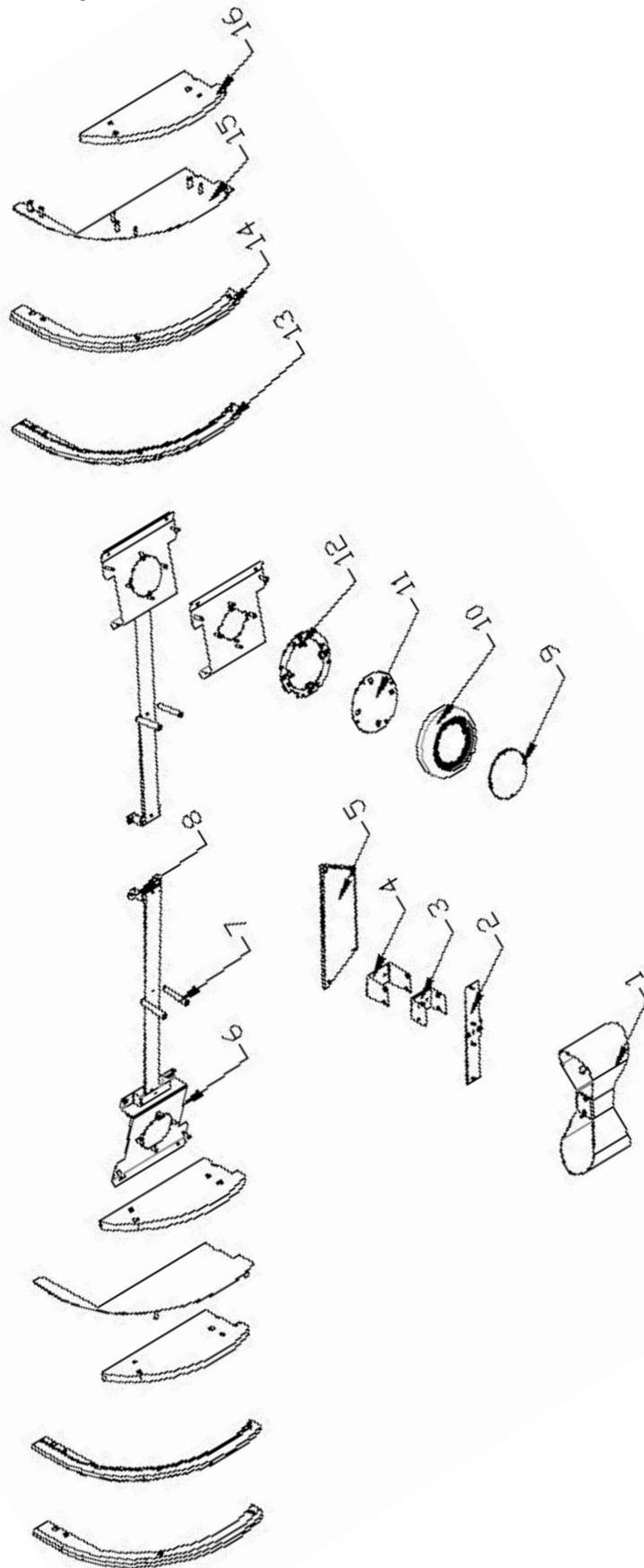


## 9.6 Marquee Assembly



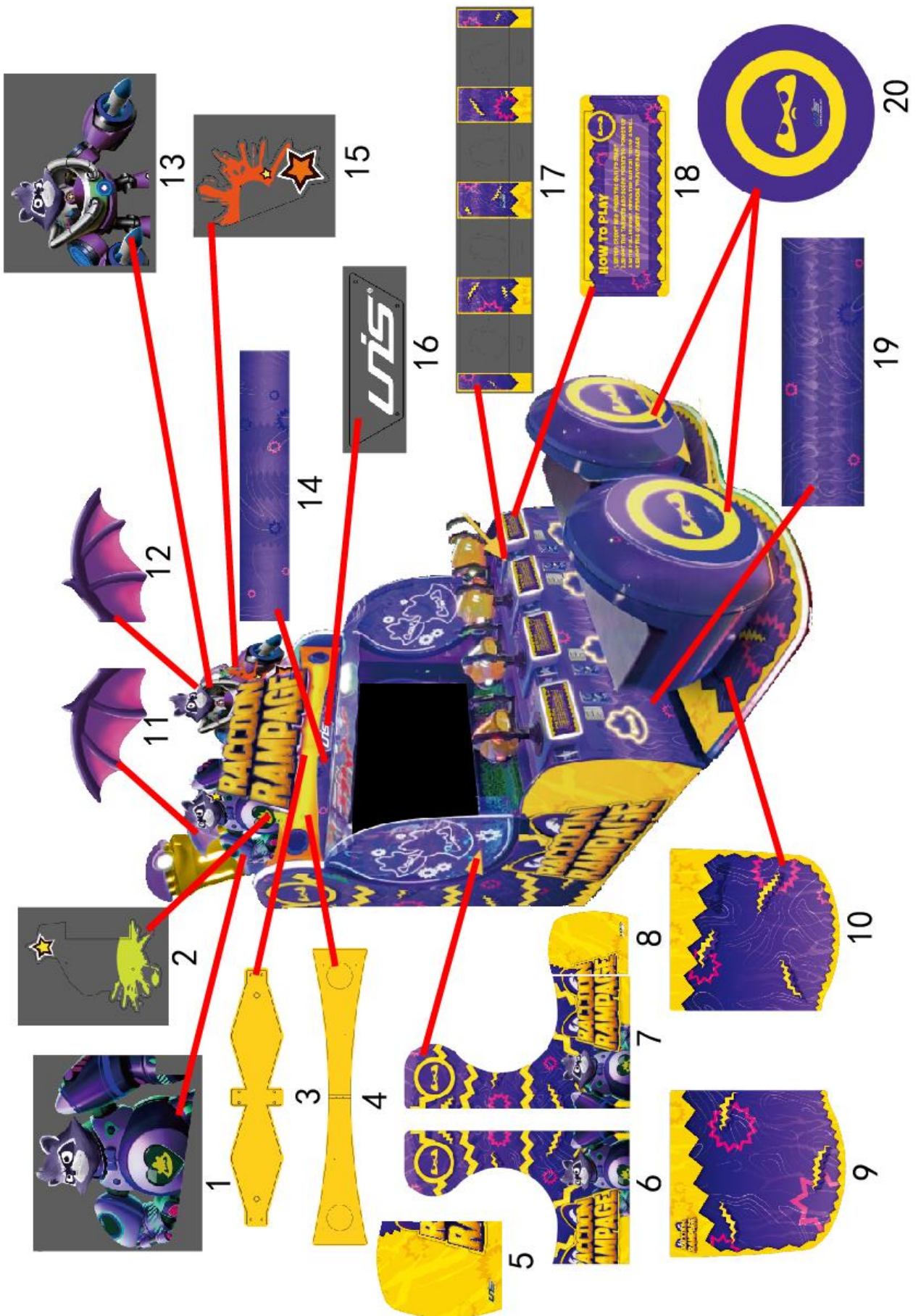
No.	Part No.	Code No.	Name	Version	Qty
1	R134-0411-00	206.4.2216.044A	LOGO marquee	1.1	1
2	R134-0408-00	202.4.2216.107	LOGO marquee fixing bracket	1.1	1
3	R134-1701-00	205.1.2206.301	Toy L decal	1.1	1
4	R134-1702-00	205.1.2206.302	Toy R decal	1.1	1
5	R134-0407-00	202.4.2216.083	LOGO fixing plate	1.1	2
6	R134-0409-00	203.4.2216.111	R toy fixing board	1.1	1
	R134-0410-00	203.4.2216.112	L toy fixing board	1.1	1
7	R134-0306-00	202.4.2216.010	Character column	1.1	11
8	R134-0502-00	202.4.2216.051	Wing fixing plate	1.1	2
9	R134-0402-00	206.4.2216.047	Marquee	1.1	2
10	R134-0403-00	202.4.2216.040	Marquee fixing plate	1.1	2
11	R134-0404-00	202.4.2216.038	Marquee L fixing plate	1.1	1
	R134-0405-00	202.4.2216.039	Marquee R fixing plate	1.1	1

### 9.7 Upper Arc Marquee



No.	Part No.	Code No.	Name	Version	Qty
1	R134-1704-00	205.1.2206.304	Bowknot PVC	1.1	1
2	R134-0320-00	202.4.2216.094	Bowknot light fixing plate	1.1	1
3	R134-0319-00	202.4.2216.090	Bowknot fixing plate	1.1	1
4	R134-0318-00	202.4.2216.093	Bowknot plate	1.1	1
5	R134-0308-00	202.4.2216.049	UNIS logo fixing plate	1.1	1
6	R134-0302-00	202.4.2216.046	Emoji fixing plate	1.1	1
7	R134-0306-00	202.4.2216.010	Character column	1.1	11
8	R134-0315-00	202.4.2216.092	Arc light plastic mid fixing bracket	1.1	2
9	R134-0305-00	206.4.2216.033	Display panel plastic	1.1	2
10	R134-0303-00	206.4.2216.012	Emoji cover PC	1.1	2
11	R134-1653-00	297.6.2212001	Light board	1.1	2
12	R134-0304-00	2.60.00057003	Speaker light cover	1.1	2
13	R134-0310-00	206.4.2216.034	Top L inner light plastic	1.1	2
14	R134-0311-00	206.4.2216.035	Top L outer light plastic	1.1	2
15	R134-0309-00	202.4.2216.119	Top L light plastic fixing plate	1.1	1
	R134-0314-00	202.4.2216.120	Top R light plastic fixing plate	1.1	1
16	R134-0312-00	203.4.2216.114	Top L mid pad board	1.1	1
	R134-0313-00	203.4.2216.115	Top R mid pad board	1.1	1

### 9.8 Decals



No.	Part No.	Code No.	Name	Version	Qty
1	R134-1701-00	205.1.2206.301	Toy L decal	1.1	1
2	R134-1726-00	205.1.2206.205	L watering PVC	1.1	1
3	R134-1704-00	205.1.2206.304	Bowknot PVC	1.1	1
4	R134-1703-00	205.1.2206.303	Arc decal	1.1	1
5	R134-1711-00	205.1.2206.311	R front PVC	1.1	1
6	R134-1712-00	205.1.2206.312	R back PVC	1.1	1
7	R134-1710-00	205.1.2206.310	L back PVC	1.1	1
8	R134-1709-00	205.1.2206.309	L front PVC	1.1	1
9	R134-1706-00	205.1.2206.306	Seat L plastic	1.1	1
10	R134-1707-00	205.1.2206.307	Seat R plastic	1.1	1
11	R134-1724-00	205.1.2206.203	L wing PVC	1.1	1
12	R134-1725-00	205.1.2206.204	R wing PVC	1.1	1
13	R134-1702-00	205.1.2206.302	Toy R decal	1.1	1
14	R134-1714-00	205.1.2206.314	R134-1714-00	1.1	1
15	R134-1727-00	205.1.2206.206	R watering PVC	1.1	1
16	R134-1728-00	205.1.2206.209	UNIS LOGO plastic	1.1	1
17	R134-1705-00	205.1.2206.305	Control panel PVC	1.1	1
18	R134-1713-00	205.1.2206.313	How to play instruction decal	1.1	1
19	R134-1723-00	205.1.2206.323/1	Front door decal	1.1	1
20	R134-1708-00	205.1.2206.308	Seat moulding acrylic	1.1	1

**1** ON | OFF

**2** AC 110V~

**3** AC 220V~

**4** FUSE T10A 125V

**5** FUSE T10A 250V

**6** [Image of internal wiring]

**7** [Image of internal wiring]

**8** Fuse Instructions

**9** [Image of fuse holder]

**10** Drainage Button

1. Long press to drain water  
(Open the drain valve first)  
2. Release button to stop draining.

**11** Draining instructions

**12** Dongle

**13** RECOVERY STICK

**14** [Image of recovery stick]

**15** !!!WARNING!!!  
DO NOT SERVICE UNIT WITHOUT READING OWNERS MANUAL HIGH VOLTAGE!!!

**16** THIS GAME SHOULD BE SERVICED BY AUTHORIZED PERSONNEL ONLY

**17** [WARNING icon]

**18** FOR PARTS AND SERVICE CONTACT UNIS USA 972-241-4263

**19** [Image of service contact info]

**20** CAUTION ! DBV 110V

**21** NOTE: TAKE PRECAUTION TO ASSURE THAT ALL WIRING PRIOR TO INSTALLATION OF ALL WIRING IS AS AVOID IF NOT PROPERLY INSTALLED RESULTING IN LOGIC BOARD DAMAGE.

**22** [WARNING icon]

**23** DEDICATED CARD READER POWER SUPPLY 1200C

**24** [Image of internal wiring]

**25** [Red arrow pointing up]

**26** [Image of control panel]

No.	Part No.	Code No.	Name	Version	Qty
1	R134-1733-00	2.56.00.000016	Power sw decal	1.1	1
2	R134-1738-00	2.56.00.000071	110V decal	1.1	1
3	R134-1739-00	2.56.00.000072	220V decal	1.1	1
4	R134-1741-00	2.56.00.000083	Fuse(10A) label	1.1	1
5	R134-1740-00	2.56.00.000077	Fuse(T10A) label	1.1	1
6	R134-1730-00	205.4.2310.008	Water tank level instruction decal	1.1	1
7	R134-1715-00	205.1.2206.315	Installation PVC	1.1	1
8	R134-1716-00	205.1.2206.316	Fuse instructions decal	1.1	1
9	R134-1722-00	205.1.2206.322	220V nameplate	1.1	1
10	R134-1718-00	205.1.2206.318	Drain button decal	1.1	1
11	R134-1719-00	205.1.2206.319	Drain instruction decal	1.1	1
12	R134-1742-00	2.56.00.000093	Dongle decal	1.1	1
13	R134-1744-00	2.56.00.000116	Recovery stick label	1.1	1
14	R134-1731-00	205.4.2202.022/4	Volume POT decal	1.1	1
15	R134-1737-00	2.56.00.000067A	Service label	1.1	1
16	R134-1736-00	2.56.00.000042A	Service label 1	1.1	1
17	R134-1735-00	2.56.00.000037/1	High voltage label(l)	1.1	6
18	R134-1743-00	2.56.00.000095A	Maintenance label	1.1	2
19	R134-1721-00	205.1.2206.321	110V nameplate	1.1	2
20	R134-1745-00	2.56.00.000117	DBV label	1.1	4
21	R134-1746-00	2.56.00.000120	AAMA label	1.1	4
22	R134-1734-00	2.56.00.000036	High voltage label(s)	1.1	5
23	R134-1747-00	2.56.00.000121	Adapter label	1.1	1
24	R134-1729-00	205.4.2310.007	Pipe instruction decal	1.1	2
25	R134-1732-00	205.4.2157.026	Pipe arrow decal	1.1	1
26	R134-1720-00	205.1.2206.320/1	Counter decal	1.1	1

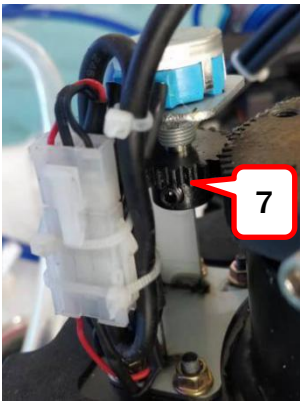
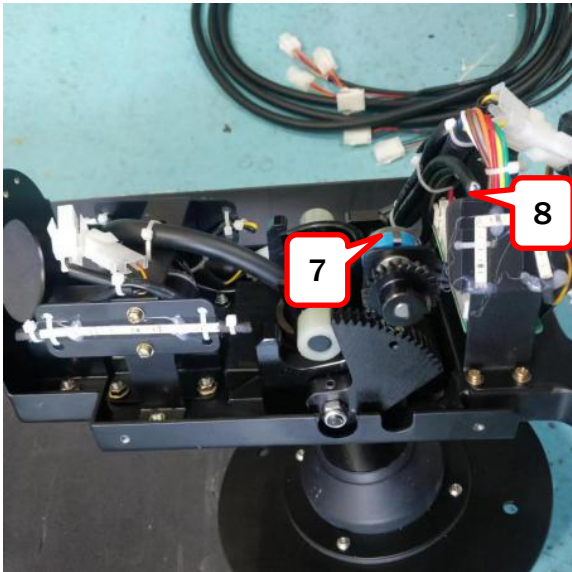
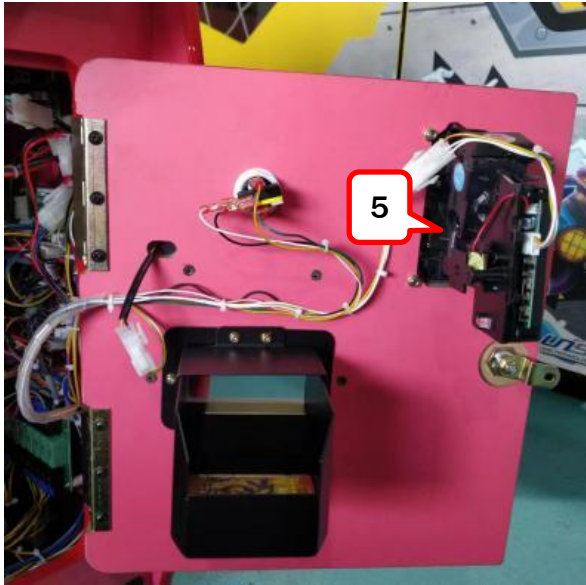
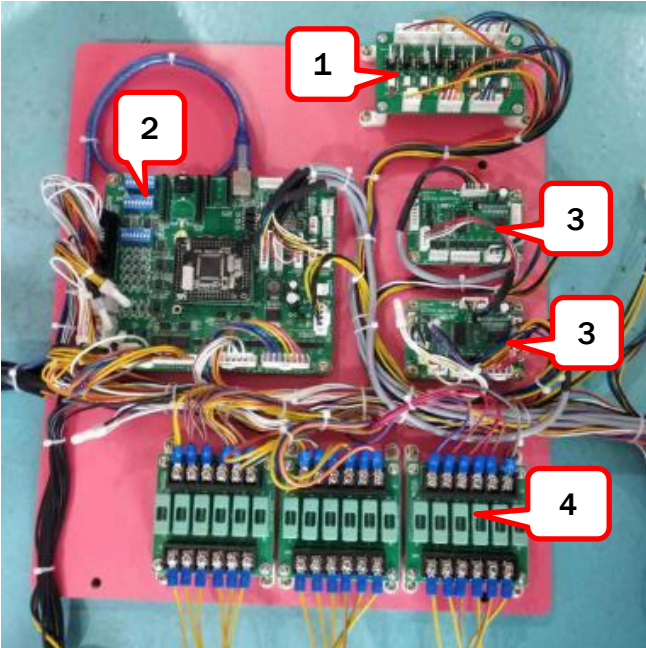
J01	J02	J03	J06	J07	J08	J09	J11	J12	J13	J16	J17
J18	J19	J20	J21	J27	J28	J29	J30	J31	J32	J34	J35
J36	J37	J38	J39	J40	J41	J42	J43	J44	J45	J46	J47
J48	J49	J50	J51	J52	J53	J54	J55	J56	J57	J58	J64
J65	J67	U3.PCB J1	U3.PCB J3	U3.PCB J4	U3.PCB J5	U3.PCB J9	U3.PCB J17	U3.PCB J18	U3.PCB J20	U3.PCB J21	U3.PCB J22
U3.PCB J23	A1.PCB J1	A1.PCB J4	A1.PCB J5	Output 16-Ext.PCB J1	Output 15-Ext.PCB J2	Output 15-Ext.PCB J3	Output 16-Ext.PCB J4	Output 16-Ext.PCB J5	Output 16-Ext.PCB J6	Output 16-Ext.PCB J1	Output 16-Ext.PCB J2
Output 16-Ext.PCB J3	Output 16-Ext.PCB J4	Output 16-Ext.PCB J5	Output 16-Ext.PCB J6	Output 16-Ext.PCB J7	Output 15-Ext.PCB J8	MOS-DRV.PCB J1	MOS-DRV.PCB J2	MOS-DRV.PCB J3	MOS-DRV.PCB J4	MOS-DRV.PCB J5	MOS-DRV.PCB J6
A	B	C	D	E	F	G	H	I	J	K	L
M	N	O	P	A	B	C	D	E	F	G	H
I	J	K	L	M	N	O	P	1P Water gun outer	1P Water gun inner	2P Water gun outer	2P Water gun inner
3P Water gun outer	3P Water gun inner	4P Water gun outer	4P Water gun inner	1P Water gun outer	1P Water gun inner	2P Water gun outer	2P Water gun inner	3P Water gun outer	3P Water gun inner	4P Water gun outer	4P Water gun inner
F1 5A	F2 5A	F3 5A	F4 5A	F5 5A	F6 5A	F7 5A	F8 5A	F9 5A	F10 5A	F11 5A	F12 5A
F13 5A	F14 5A	F15 5A	F16 5A	F17 5A	F18 5A	F19 5A	F20 5A	F21 5A	F22 5A	12V ①	Coin ②
Ticket feedback ③	Ticket drive ④	GND ⑤	12V ⑥	Coin ⑦	Ticket feedback ⑧	Ticket drive ⑨	GND ⑩	12V ⑪	Coin ⑫	Ticket feedback ⑬	Ticket drive ⑭
GND ⑮	12V ⑯	Coin ⑰	Ticket feedback ⑱	Ticket drive ⑲	GND ⑳	E ㉑	E ㉒	E ㉓	E ㉔	DBV AC110V	DBV AC110V
DBV AC110V	DBV AC110V	Tick-ch.PCB J1	Tick-ch.PCB J1	Tick-ch.PCB J1	Tick-ch.PCB J1	Tick-ch.PCB J3	Tick-ch.PCB J3	Tick-ch.PCB J3	Tick-ch.PCB J3	Tick-ch.PCB J3	Tick-ch.PCB J3

1

No.	Part No.	Code No.	Name	Version	Qty
1	R134-1717-00	205.1.2206.317	Wiring label	1.1	1



### 9.9 Electrical Components

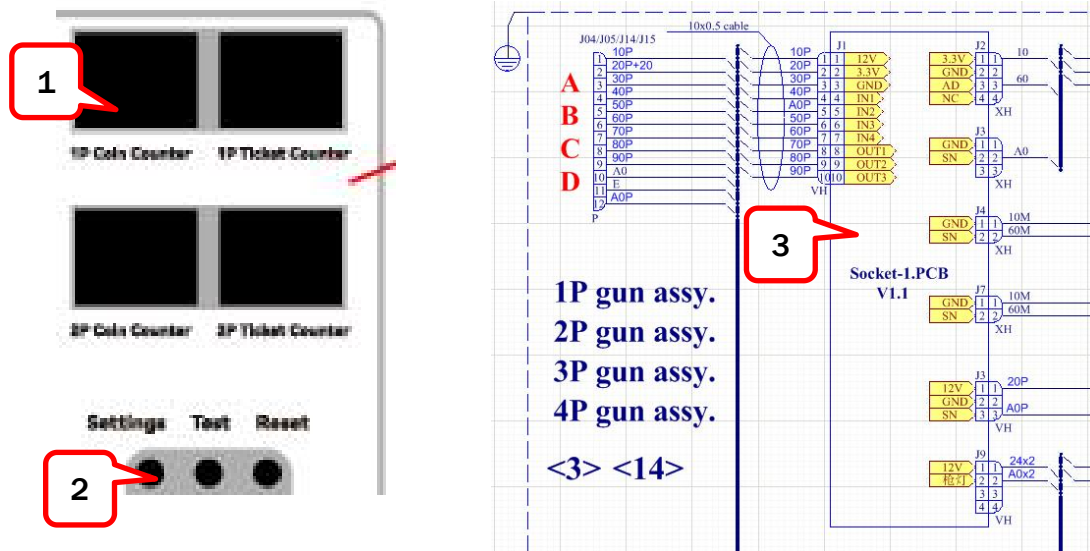


No.	Part No.	Code No.	Name	Version	Qty
1	R134-1612-00	297.1.1208002	Drive board	1.1	1
2	R134-1606-00	297.9.0300003	U3 mainboard	1.1	1
	R134-1607-00	297.9.0300004	U3-MCU board	1.1	1
3	R134-1608-00	297.1.1903001	16 road extension board	1.1	2
4	R134-1613-00	2.17.14.000154	Fuse board	1.1	3
5	R134-1633-00	2.23.06000022	Coin mechanism	1.1	1x4
6	R134-1635-00	2.11.02.000147	PC	1.1	1
7	R134-1680-00	2.25.01000030	5K POT	1.1	2x4
8	R134-1666-00	297.4.1833006A	Socket convert board	1.1	1x4

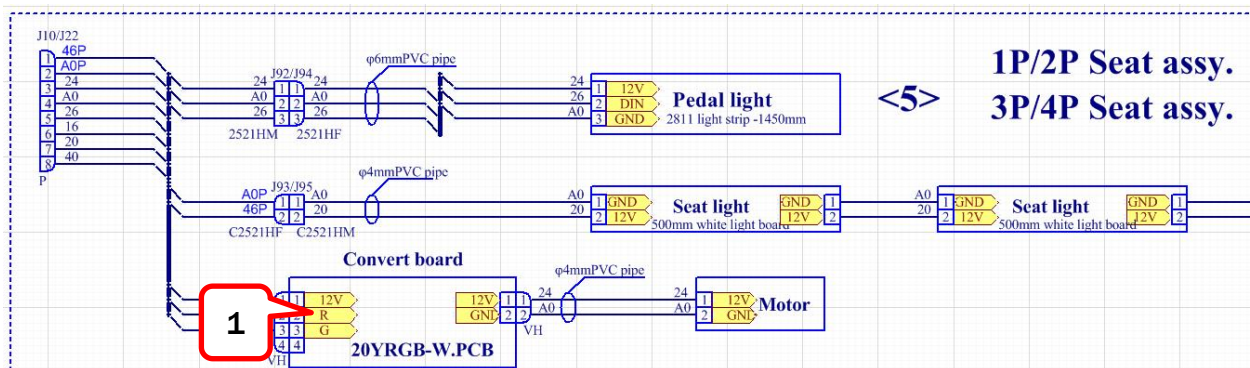


No.	Part No.	Code No.	Name	Version	Qty
1	R134-1654-00	2.17.04.000258	100 light board	1.1	3
	R134-1677-00	2.17.04.000260	500 light board	1.1	1
2	R134-1677-00	2.17.04.000260	500 light board	1.1	1x2
3	R134-1676-00	2.17.04.000259	300 light board	1.1	1
	R134-1677-00	2.17.04.000260	500 light board	1.1	1
4	R134-1678-00	2.20.02.020060	2835 blue light strip	1.1	19.68 in×2 (500mm×2)
5	R134-1656-00	2.20.02.020060	2835 blue light strip	1.1	8.85 in (225mm)
	R134-1677-00	2.17.04.000260	500 light board	1.1	2
	R134-1654-00	2.17.04.000258	100 light board	1.1	2

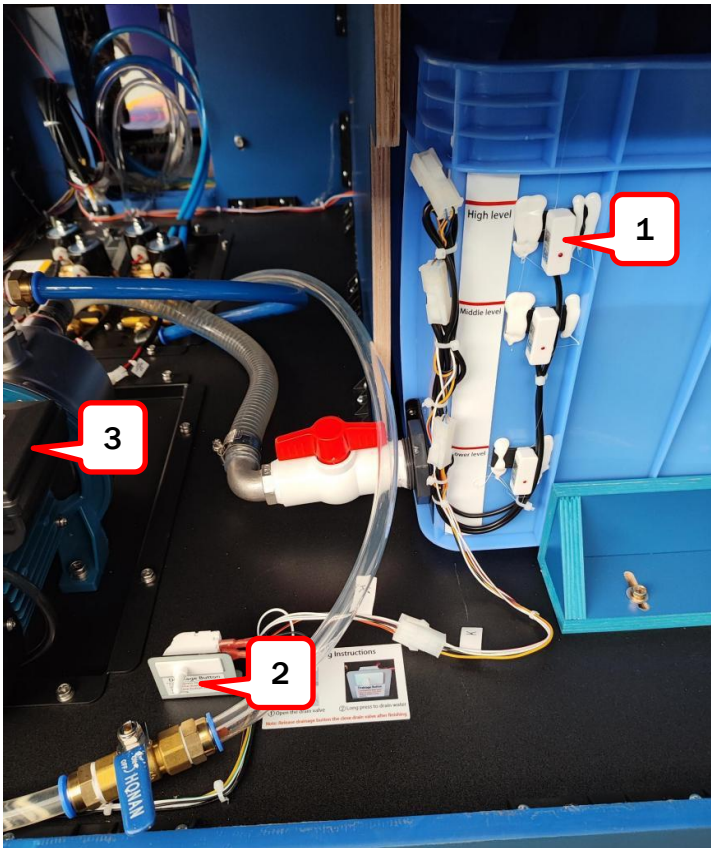
No.	Part No.	Code No.	Name	Version	Qty
6	R134-1674-00	2.20.02.020068	2835 blue light strip	1.1	51.37 in×2 (1305mm×2)
7	R134-1673-00	2.20.02.020056	2835 white light strip	1.1	23.62 in ×4 (600mm×4)
8	R134-1671-00	2.17.04.000260	500 light board	1.1	3
9	R134-1670-00	2.20.02.020092	2811 light strip	1.1	57.08 in (1450mm)
10	R134-1301-00	299.4.2216.003	Water gun assy.	1.1	2
	R134-1667-00	2.25.01000030	5K POT	1.1	2
	R134-1668-00	2.26.04.000011	Micro SW	1.1	2
11	R134-1633-00	2.23.06000022	Coin mechanism	1.1	4
12	R134-1669-00	2.12.01065002	65" monitor	1.1	1
13	R134-1648-00	2.28.01.000005	Speaker	1.1	2
14	R134-1300-00	299.4.2216.013	Middle water gun assy.	1.1	2
	R134-1680-00	2.25.01000030	5K POT	1.1	2
	R134-1681-00	2.26.04.000011	Micro SW	1.1	2
15	R134-1620-00	2.20.02.020057	2835 yellow light strip	1.1	27.55 in ×4 (700mm×4)



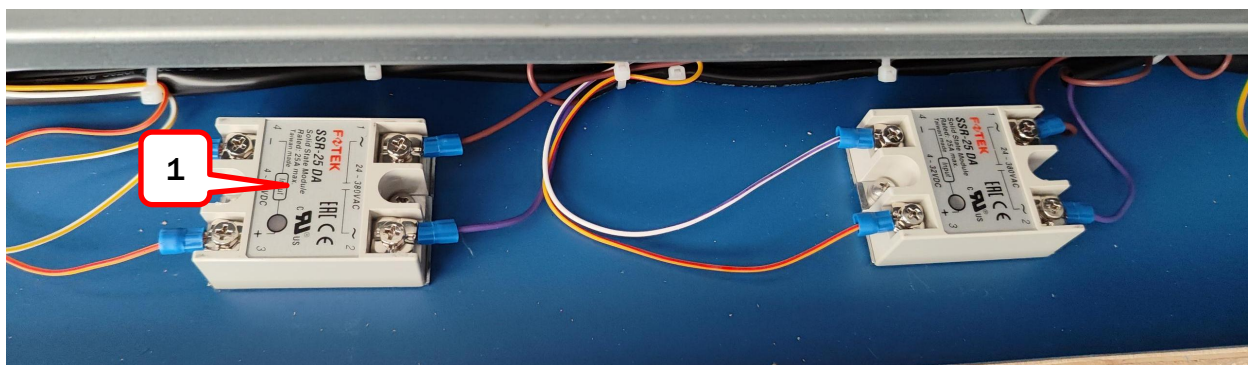
No.	Part No.	Code No.	Name	Version	Qty
1	R134-1605-00	2.30.00000006	Counter	1.1	4
2	R134-1602-00	2.24.02.050001	Button(black)	1.1	1
	R134-1603-00	2.24.02.030002	Button(green)	1.1	1
	R134-1604-00	2.24.02.010002	Button(red)	1.1	1
3	R134-1679-00	297.4.1833006A	Socket	1.1	4



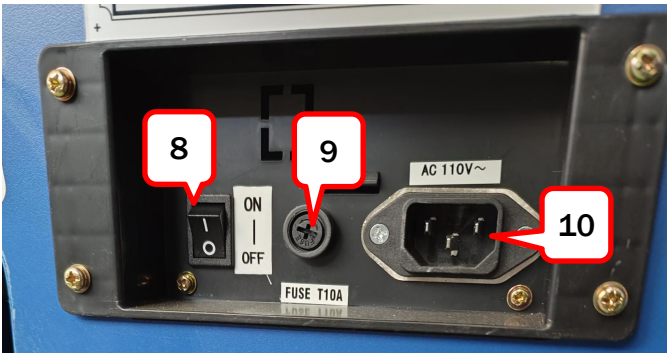
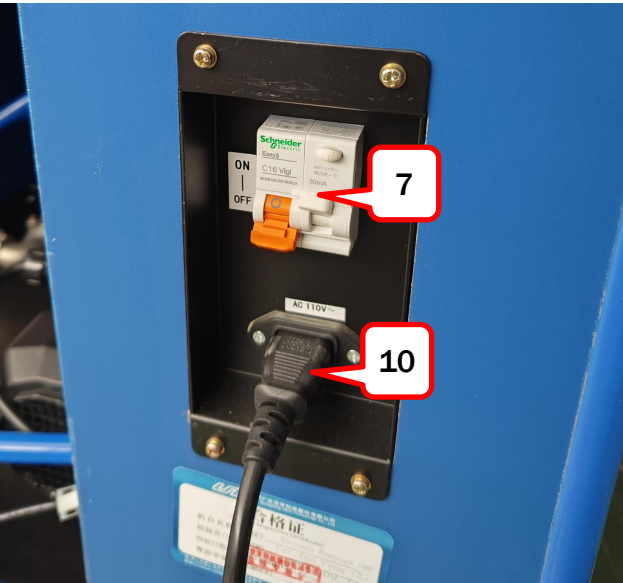
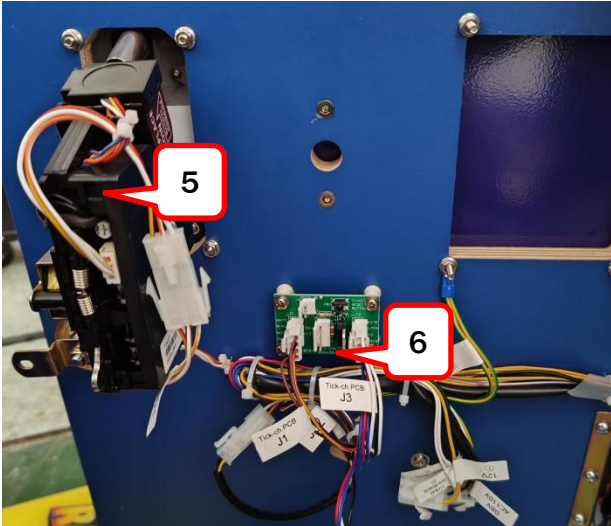
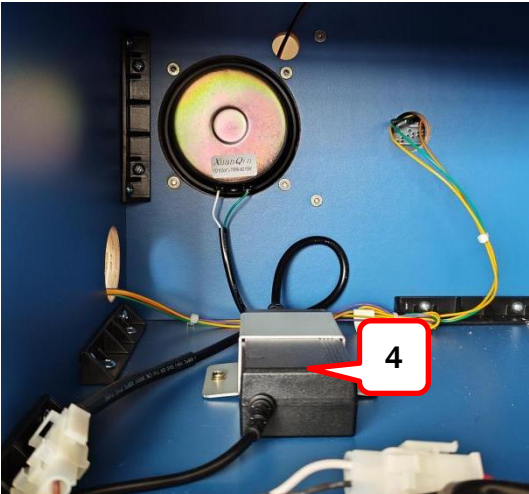
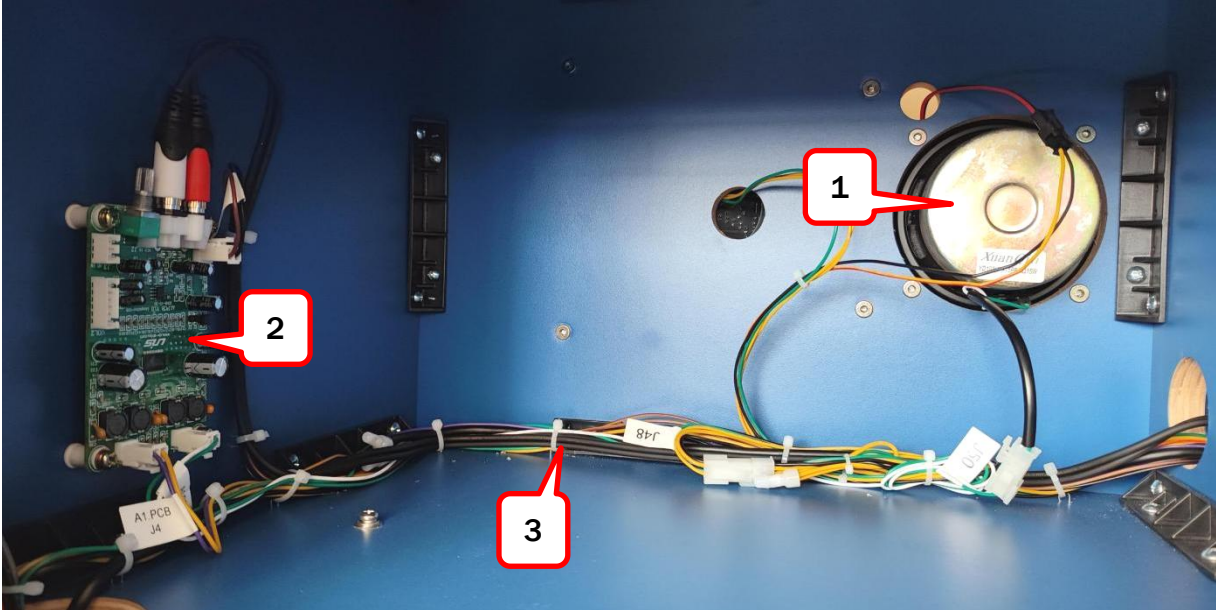
No.	Part No.	Code No.	Name	Version	Qty
1	R134-1672-00	297.9.2011003	Convert board	1.1	1



No.	Part No.	Code No.	Name	Version	Qty
1	R134-1661-00	2.26.01.040011	Water level SW	1.1	3
2	R134-1664-00	2.26.01.040014	Drain button	1.1	1
3	R134-1007-00	2.34.10.000121	Pump(110V)	1.1	1
	R134-1039-00	2.34.10.000119	Pump(220V)	1.1	1
4	R134-1617-00	2.16.02.000117	Power supply(12V)	1.1	3



No.	Part No.	Code No.	Name	Version	Qty
1	R134-1652-00	2.21.4.0000043	Relay	1.1	3



No.	Part No.	Code No.	Name	Version	Qty
1	R134-1648-00	2.28.01.000005	Speaker	1.1	2
2	R134-1639-00	297.9.0300009A	Amplifier	1.1	1
3	R134-1682-00	2.33.09.000464	Cable set	1.1	1
4	R134-1665-00	2.16.03.000083	Adapter	1.1	1
5	R134-1633-00	2.23.06000022	Coin mechanism	1.1	1
6	R134-1634-00	297.9.0700002	Ticket covert board	1.1	1
7	R134-1643-00	2.26.02.000097	RCCB	1.1	1
8	R134-1647-00	2.26.01.000005	Rocket SW	1.1	1
9	R134-1645-00	2.19.02.000006	Fuse holder	1.1	1
10	R134-1646-00	2.32.01000001A	Filter	1.1	2



No.	Part No.	Code No.	Name	Version	Qty
1	R134-1636-00	2.11.09.000022	Dongle	1.1	1
2	R134-1637-00	4.13.00000012	Recovery stick	1.1	1

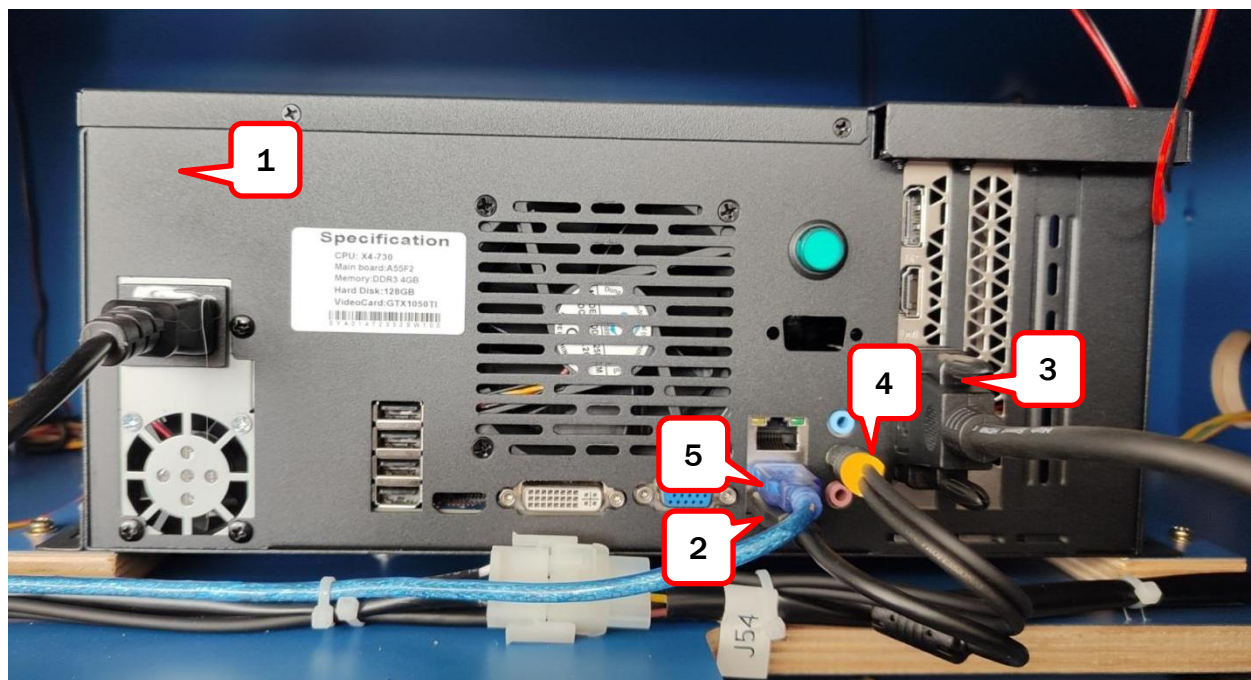


Gun Light Strip :



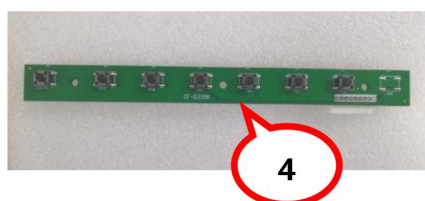
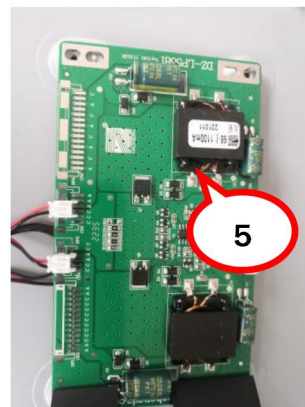
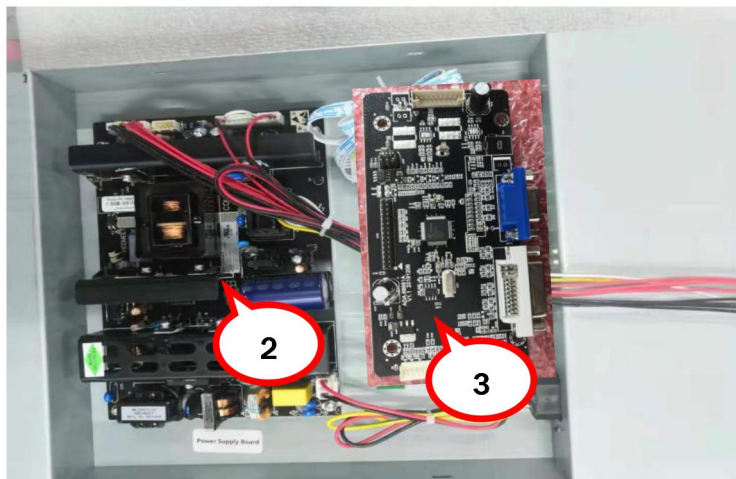
No.	Part No.	Code No.	Name	Version	Qty
1	R134-1630-00	2.20.02.020118	2835 green light strip(75mm-dual)	1.1	3
	R134-1631-00	2.20.02.020119	2835 green light strip(75mm-single)	1.1	1
	R134-1632-00	2.20.02.020120	2835 green light strip(175mm)	1.1	1
2	R134-1621-00	2.20.02.020109	2835 yellow light strip(75mm-dual)	1.1	3
	R134-1622-00	2.20.02.020110	2835 yellow light strip(75mm-single)	1.1	1
	R134-1623-00	2.20.02.020111	2835 yellow light strip(175mm)	1.1	1
3	R134-1624-00	2.20.02.020112	2835 blue light strip(75mm-dual)	1.1	3
	R134-1625-00	2.20.02.020113	2835 blue light strip(75mm-single)	1.1	1
	R134-1626-00	2.20.02.020114	2835 blue light strip(175mm)	1.1	1
4	R134-1627-00	2.20.02.020115	2835 red light strip(75mm-dual)	1.1	3
	R134-1628-00	2.20.02.020116	2835 red light strip(75mm-single)	1.1	1
	R134-1629-00	2.20.02.020117	2835 red light strip(175mm)	1.1	1

PC:



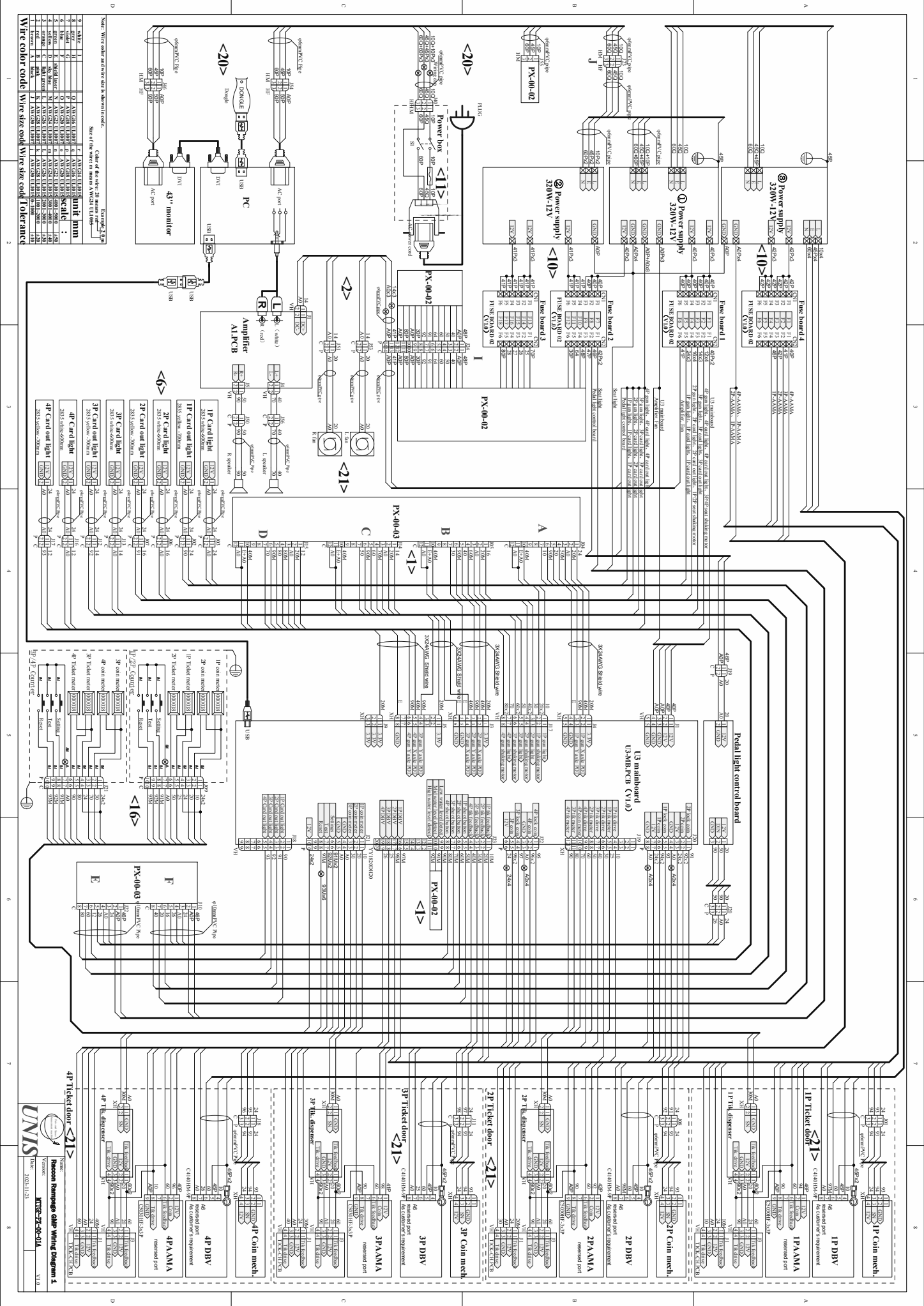
No.	Part No.	Code No.	Name	Version	Qty
1	R134-1635-00	2.11.02.000147	PC	1.1	1
	R134-1689-00	2.11.07.220030	Mainboard	1.1	1
	R134-1690-00	2.11.07.190032	CPU	1.1	1
	R134-1691-00	2.11.07.090033	Memory	1.1	1
	R134-1692-00	2.11.07.060039	Hard disk	1.1	1
	R134-1693-00	2.11.07.190035	Video card	1.1	1
	R134-1694-00	2.11.07.170037	PC power supply	1.1	1
	R134-1695-00	2.11.07.270038	PC case	1.1	1
2	R134-1649-00	2.33.04.080031	Extension cable(5m)	1.1	1
3	R134-1638-00	2.33.07.020025	DVI cable	1.1	1
4	R134-1651-00	2.33.05.000003	Audio cable	1.1	1
5	R134-1650-00	2.33.04.000100	Extension cable(0.5m)	1.1	1

Monitor:



No.	Part No.	Code No.	Name	Version	Qty
1	R134-1684-00	2.12.04.030040	Logic board	1.1	1
2	R134-1687-00	2.12.04.030042	Power board	1.1	1
3	R134-1688-00	2.12.04.030043	Drive board	1.1	1
4	R134-1686-00	2.12.04.030038	Key board	1.1	1
5	R134-1685-00	2.12.04.030041	Converted board	1.1	1

[www.unistechnology.com](http://www.unistechnology.com)



Wire color code Wire size code Wire size code Tolerance

Wire Color	Wire Size	Wire Size Code	Tolerance
1	AWG#18	18	±0.1mm
2	AWG#18	18	±0.1mm
3	AWG#18	18	±0.1mm
4	AWG#18	18	±0.1mm
5	AWG#18	18	±0.1mm
6	AWG#18	18	±0.1mm
7	AWG#18	18	±0.1mm
8	AWG#18	18	±0.1mm
9	AWG#18	18	±0.1mm
10	AWG#18	18	±0.1mm
11	AWG#18	18	±0.1mm
12	AWG#18	18	±0.1mm
13	AWG#18	18	±0.1mm
14	AWG#18	18	±0.1mm
15	AWG#18	18	±0.1mm
16	AWG#18	18	±0.1mm
17	AWG#18	18	±0.1mm
18	AWG#18	18	±0.1mm
19	AWG#18	18	±0.1mm
20	AWG#18	18	±0.1mm
21	AWG#18	18	±0.1mm
22	AWG#18	18	±0.1mm
23	AWG#18	18	±0.1mm
24	AWG#18	18	±0.1mm
25	AWG#18	18	±0.1mm
26	AWG#18	18	±0.1mm
27	AWG#18	18	±0.1mm
28	AWG#18	18	±0.1mm
29	AWG#18	18	±0.1mm
30	AWG#18	18	±0.1mm
31	AWG#18	18	±0.1mm
32	AWG#18	18	±0.1mm
33	AWG#18	18	±0.1mm
34	AWG#18	18	±0.1mm
35	AWG#18	18	±0.1mm
36	AWG#18	18	±0.1mm
37	AWG#18	18	±0.1mm
38	AWG#18	18	±0.1mm
39	AWG#18	18	±0.1mm
40	AWG#18	18	±0.1mm
41	AWG#18	18	±0.1mm
42	AWG#18	18	±0.1mm
43	AWG#18	18	±0.1mm
44	AWG#18	18	±0.1mm
45	AWG#18	18	±0.1mm
46	AWG#18	18	±0.1mm
47	AWG#18	18	±0.1mm
48	AWG#18	18	±0.1mm
49	AWG#18	18	±0.1mm
50	AWG#18	18	±0.1mm
51	AWG#18	18	±0.1mm
52	AWG#18	18	±0.1mm
53	AWG#18	18	±0.1mm
54	AWG#18	18	±0.1mm
55	AWG#18	18	±0.1mm
56	AWG#18	18	±0.1mm
57	AWG#18	18	±0.1mm
58	AWG#18	18	±0.1mm
59	AWG#18	18	±0.1mm
60	AWG#18	18	±0.1mm
61	AWG#18	18	±0.1mm
62	AWG#18	18	±0.1mm
63	AWG#18	18	±0.1mm
64	AWG#18	18	±0.1mm
65	AWG#18	18	±0.1mm
66	AWG#18	18	±0.1mm
67	AWG#18	18	±0.1mm
68	AWG#18	18	±0.1mm
69	AWG#18	18	±0.1mm
70	AWG#18	18	±0.1mm
71	AWG#18	18	±0.1mm
72	AWG#18	18	±0.1mm
73	AWG#18	18	±0.1mm
74	AWG#18	18	±0.1mm
75	AWG#18	18	±0.1mm
76	AWG#18	18	±0.1mm
77	AWG#18	18	±0.1mm
78	AWG#18	18	±0.1mm
79	AWG#18	18	±0.1mm
80	AWG#18	18	±0.1mm
81	AWG#18	18	±0.1mm
82	AWG#18	18	±0.1mm
83	AWG#18	18	±0.1mm
84	AWG#18	18	±0.1mm
85	AWG#18	18	±0.1mm
86	AWG#18	18	±0.1mm
87	AWG#18	18	±0.1mm
88	AWG#18	18	±0.1mm
89	AWG#18	18	±0.1mm
90	AWG#18	18	±0.1mm
91	AWG#18	18	±0.1mm
92	AWG#18	18	±0.1mm
93	AWG#18	18	±0.1mm
94	AWG#18	18	±0.1mm
95	AWG#18	18	±0.1mm
96	AWG#18	18	±0.1mm
97	AWG#18	18	±0.1mm
98	AWG#18	18	±0.1mm
99	AWG#18	18	±0.1mm
100	AWG#18	18	±0.1mm

Pinout table for PX-00-02 components:

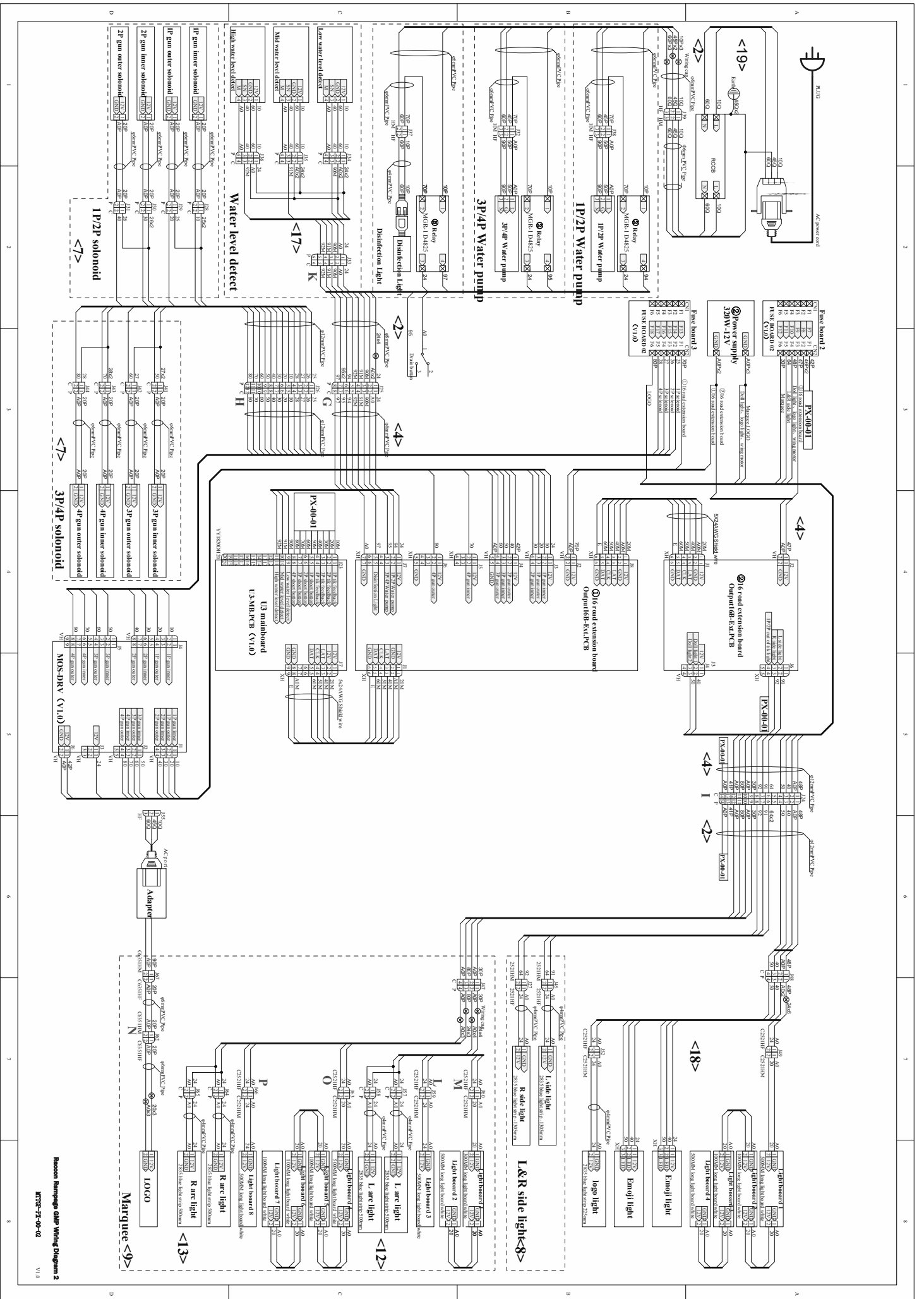
Component	Pin	Signal	Notes
PX-00-02	1	12V	Power supply
	2	0V	Ground
	3	12V	Power supply
	4	0V	Ground
	5	12V	Power supply
	6	0V	Ground
	7	12V	Power supply
	8	0V	Ground
	9	12V	Power supply
	10	0V	Ground
PX-00-03	1	12V	Power supply
	2	0V	Ground
	3	12V	Power supply
	4	0V	Ground
	5	12V	Power supply
	6	0V	Ground
	7	12V	Power supply
	8	0V	Ground
	9	12V	Power supply
	10	0V	Ground
PX-00-04	1	12V	Power supply
	2	0V	Ground
	3	12V	Power supply
	4	0V	Ground
	5	12V	Power supply
	6	0V	Ground
	7	12V	Power supply
	8	0V	Ground
	9	12V	Power supply
	10	0V	Ground
PX-00-05	1	12V	Power supply
	2	0V	Ground
	3	12V	Power supply
	4	0V	Ground
	5	12V	Power supply
	6	0V	Ground
	7	12V	Power supply
	8	0V	Ground
	9	12V	Power supply
	10	0V	Ground
PX-00-06	1	12V	Power supply
	2	0V	Ground
	3	12V	Power supply
	4	0V	Ground
	5	12V	Power supply
	6	0V	Ground
	7	12V	Power supply
	8	0V	Ground
	9	12V	Power supply
	10	0V	Ground
PX-00-07	1	12V	Power supply
	2	0V	Ground
	3	12V	Power supply
	4	0V	Ground
	5	12V	Power supply
	6	0V	Ground
	7	12V	Power supply
	8	0V	Ground
	9	12V	Power supply
	10	0V	Ground
PX-00-08	1	12V	Power supply
	2	0V	Ground
	3	12V	Power supply
	4	0V	Ground
	5	12V	Power supply
	6	0V	Ground
	7	12V	Power supply
	8	0V	Ground
	9	12V	Power supply
	10	0V	Ground
PX-00-09	1	12V	Power supply
	2	0V	Ground
	3	12V	Power supply
	4	0V	Ground
	5	12V	Power supply
	6	0V	Ground
	7	12V	Power supply
	8	0V	Ground
	9	12V	Power supply
	10	0V	Ground
PX-00-10	1	12V	Power supply
	2	0V	Ground
	3	12V	Power supply
	4	0V	Ground
	5	12V	Power supply
	6	0V	Ground
	7	12V	Power supply
	8	0V	Ground
	9	12V	Power supply
	10	0V	Ground

UNIS Recon Rampage AMP Wiring Diagram 3

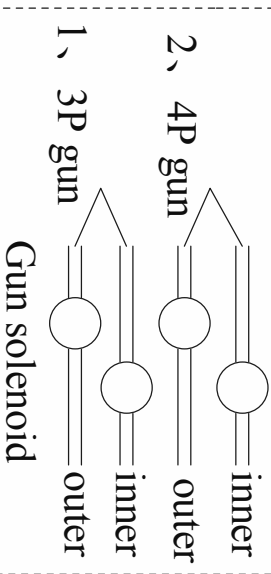
Version: KTR-37-00-01A

Date: 2014.12.13

VI.0



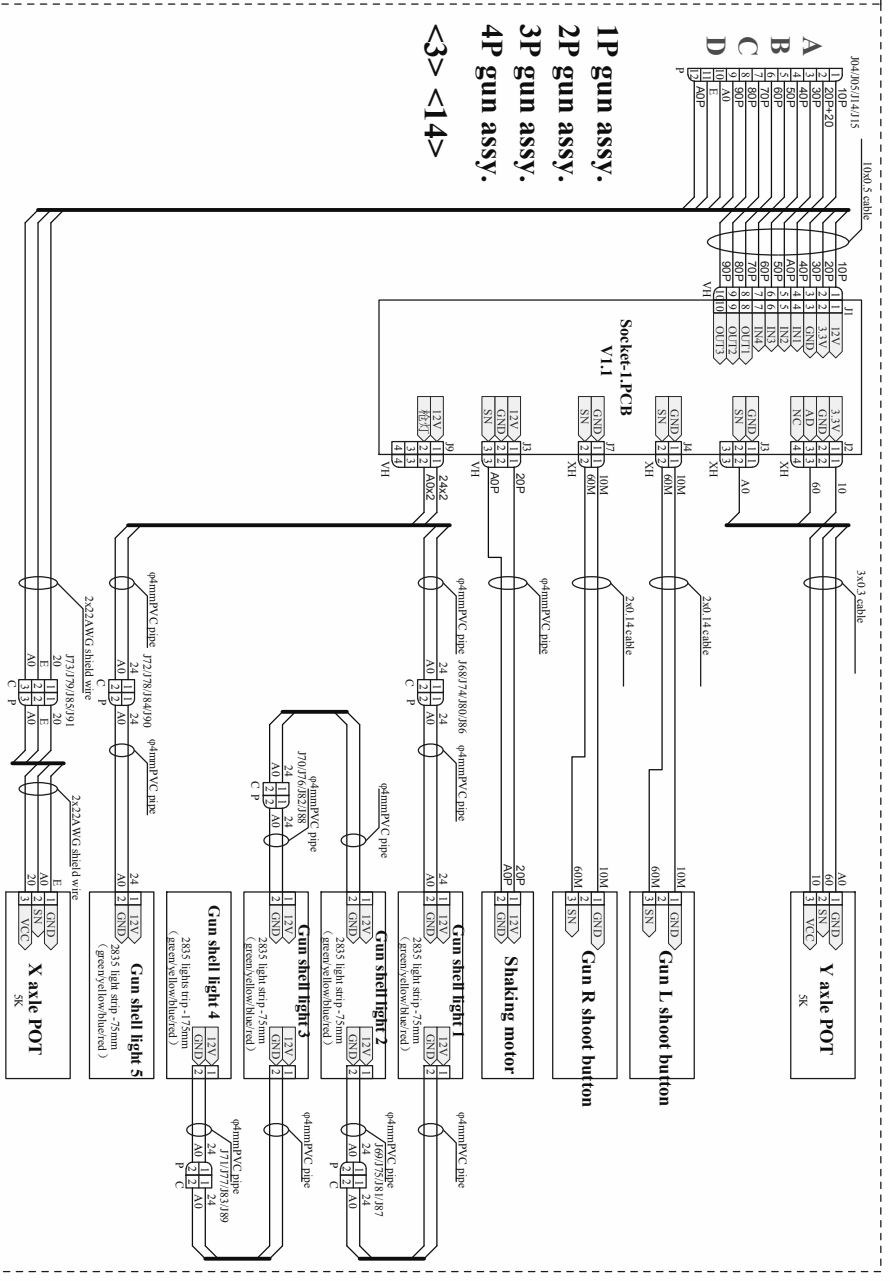
Racon Rangee GHP Wiring Diagram 2  
 RTG-FC-01-02  
 V1.0



Note: Wire color and wire size is shown in code. Example: 2.0mm

Color of the wire: 20 means red-1  
Size of the wire: in means AWG24 UL1015

Wire color code	Wire size code	Wire size code	Tolerance
1	white	I	mm
2	black	J	mm
3	red	K	mm
4	orange	L	mm
5	yellow	M	mm
6	green	N	mm
7	blue	O	mm
8	purple	P	mm
9	grey	Q	mm
10	brown	R	mm
11	pink	S	mm
12	tan	T	mm
13	light blue	U	mm
14	light green	V	mm
15	light orange	W	mm
16	light purple	X	mm
17	light grey	Y	mm
18	light brown	Z	mm
19	light pink	AA	mm
20	light tan	AB	mm
21	light light blue	AC	mm
22	light light green	AD	mm
23	light light orange	AE	mm
24	light light purple	AF	mm
25	light light grey	AG	mm
26	light light brown	AH	mm
27	light light pink	AI	mm
28	light light tan	AJ	mm
29	light light light blue	AK	mm
30	light light light green	AL	mm
31	light light light orange	AM	mm
32	light light light purple	AN	mm
33	light light light grey	AO	mm
34	light light light brown	AP	mm
35	light light light pink	AQ	mm
36	light light light tan	AR	mm
37	light light light light blue	AS	mm
38	light light light light green	AT	mm
39	light light light light orange	AU	mm
40	light light light light purple	AV	mm
41	light light light light grey	AW	mm
42	light light light light brown	AX	mm
43	light light light light pink	AY	mm
44	light light light light tan	AZ	mm
45	light light light light light blue	BA	mm
46	light light light light light green	BB	mm
47	light light light light light orange	BC	mm
48	light light light light light purple	BD	mm
49	light light light light light grey	BE	mm
50	light light light light light brown	BF	mm
51	light light light light light pink	BG	mm
52	light light light light light tan	BH	mm
53	light light light light light light blue	BI	mm
54	light light light light light light green	BJ	mm
55	light light light light light light orange	BK	mm
56	light light light light light light purple	BL	mm
57	light light light light light light grey	BM	mm
58	light light light light light light brown	BN	mm
59	light light light light light light pink	BO	mm
60	light light light light light light tan	BP	mm
61	light light light light light light light blue	BQ	mm
62	light light light light light light light green	BR	mm
63	light light light light light light light orange	BS	mm
64	light light light light light light light purple	BT	mm
65	light light light light light light light grey	BU	mm
66	light light light light light light light brown	BV	mm
67	light light light light light light light pink	BW	mm
68	light light light light light light light tan	BX	mm
69	light light light light light light light light blue	BY	mm
70	light light light light light light light light green	BZ	mm
71	light light light light light light light light orange	CA	mm
72	light light light light light light light light purple	CB	mm
73	light light light light light light light light grey	CC	mm
74	light light light light light light light light brown	CD	mm
75	light light light light light light light light pink	CE	mm
76	light light light light light light light light tan	CF	mm
77	light light light light light light light light light blue	CG	mm
78	light light light light light light light light light green	CH	mm
79	light light light light light light light light light orange	CI	mm
80	light light light light light light light light light purple	CJ	mm
81	light light light light light light light light light grey	CK	mm
82	light light light light light light light light light brown	CL	mm
83	light light light light light light light light light pink	CM	mm
84	light light light light light light light light light tan	CN	mm
85	light light light light light light light light light light blue	CO	mm
86	light light light light light light light light light light green	CP	mm
87	light light light light light light light light light light orange	CQ	mm
88	light light light light light light light light light light purple	CR	mm
89	light light light light light light light light light light grey	CS	mm
90	light light light light light light light light light light brown	CT	mm
91	light light light light light light light light light light pink	CU	mm
92	light light light light light light light light light light tan	CV	mm
93	light light light light light light light light light light light blue	CW	mm
94	light light light light light light light light light light light green	CX	mm
95	light light light light light light light light light light light orange	CY	mm
96	light light light light light light light light light light light purple	CZ	mm
97	light light light light light light light light light light light grey	DA	mm
98	light light light light light light light light light light light brown	DB	mm
99	light light light light light light light light light light light pink	DC	mm
100	light light light light light light light light light light light tan	DD	mm



UNIS

Recocon Rampage GAP Wiring Diagram 3

Date: 2023-11-23

Ver: MTCB-PX-00-03

VI.0