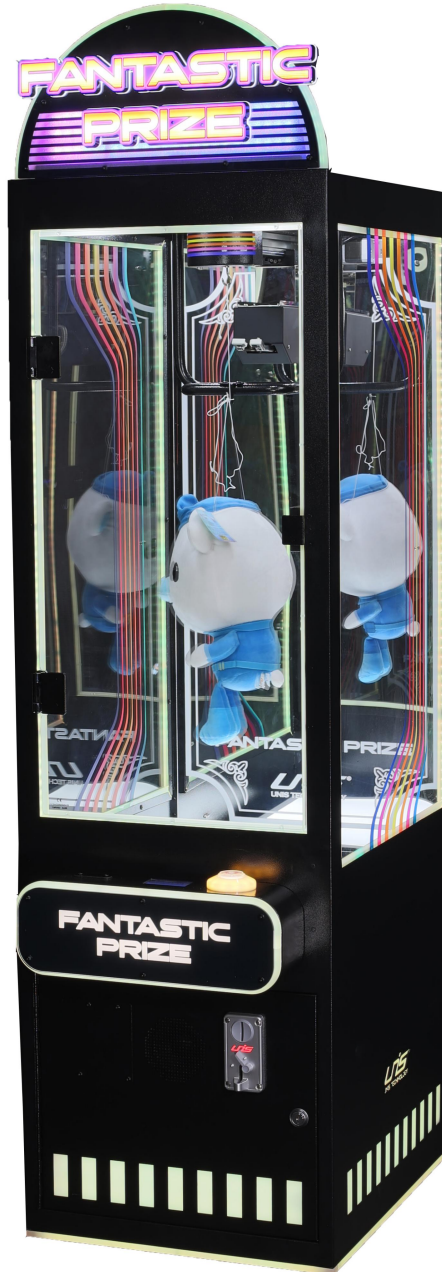




(110V version)



## IMPORTANT



Be Sure  
to Read this  
Manual  
Before Use



UNIS TECHNOLOGY

# Operation Manual

# WE ARE HERE TO ASSIST For parts and service



**Have Questions? Contact us!**

**UNIS SERVICE CENTER**  
Tel: 972-241-4263  
Email: [service@unispartsandservice.com](mailto:service@unispartsandservice.com)  
[www.unispartsandservice.com](http://www.unispartsandservice.com)

When contacting Service, you will need the following information and the name of your authorized distributor.

<b>INDOOR MACHINE</b>	
<b>NAME:</b> Mini Fantastic Prize GMP 1P	<b>MAX POWER:</b> 350W
<b>MODEL:</b> T-417	<b>MIN POWER:</b> 300W
<b>S/N:</b>	<b>FREQUENCY:</b> 50/60Hz
<b>VOLTAGE:</b> AC110V~	<b>DATE:</b>
<b>Guangdong UNIS Technology Co.,Ltd.</b>	

# CONTENT

**IMPORTANT SAFETY INSTRUCTIONS ..... 3**

**1. SPECIFICATIONS ..... 5**

**2. CONTENTS OF THE ACCESSORY KIT ..... 6**

**3. PART NAME ..... 7**

**4. SET UP & INSTALLATION ..... 8**

**5. LOCATION OPERATION INSTRUCTIONS ..... 13**

**6. HOW TO PLAY ..... 15**

**7. GAME OPTION ..... 16**

**8. TROUBLESHOOTING ..... 19**

**9. MAINTENANCE & INSPECTION ..... 21**

**10. OVERALL CONSTRUCTION ..... 22**

**WIRING DIAGRAM**

Thank you for purchasing **Mini Fantastic Prize 1P**. We hope you enjoy the product.

This manual contains valuable information about how to operate and maintain your game machine properly and safely. It is intended for the owner and/or personnel in charge of product operation. Carefully read and understand the instructions.

If you need any help during installation and setup please utilize this manual and troubleshooting guide. If the product fails to function properly, *non-technical personnel should under no circumstance attempt to service the machine*. Contact your distributor or manufacturer for help.

Before use, please read **IMPORTANT SAFETY INSTRUCTIONS**.

## IMPORTANT SAFETY INSTRUCTIONS

**To ensure the safe usage of this product, carefully read and understand these instructions before operating your game.**

**Save these instructions for future reference.**

Use this product only as described in this manual. Other uses not recommended may cause fire, electric shock or personal injury. Unplug the game from the outlet when not in use, when moving from one location to another, and before cleaning/servicing.

Explanations which require special attention are indicated by signs of warning. Depending on the potential hazardous degree, the terms: **NOTE**, **NOTICE**, and **WARNING** are used.

**NOTE:** A NOTE indicates useful hints or information about product usage.

**NOTICE:** A NOTICE indicates potential damage to product and how to avoid the problem.

**WARNING:** A WARNING indicates a potential for product damage or serious personal injury.

It is important to understand the meaning of the following HAZARD SIGNS before continuing:

### High Voltage and Shock Hazard:

High voltage can cause electric shock.  
Turn off/unplug power before servicing.



### High Temperature Hazard:

This part may cause scalding.  
Do not touch. Surface may be hot.



### No Touching Hazard:

This part may be hot or can cause electric shock.  
Do not touch.



Use the following safety guidelines to help ensure your own personal safety and to help protect your equipment and surrounding environment from potential damage.

**⚠ This product is an indoor game machine. Do not install outdoors.**

Avoid installing in the following places to prevent fire, electric shock, injury and/or machine malfunctioning:

- Places subject to rain/moisture, or places subject to high humidity.
- Places subject to direct sunlight, or places subject to extremely hot or cold temperatures to ensure that it is used within the specified operating range.
- Places where inflammable gas may be present or in the vicinity of highly inflammable/volatile chemicals or items that can easily catch fire.
- On unstable or sloped surfaces. The machine may topple or cause unforeseen accidents.
- Vicinity of fire exits, fire extinguishers etc that may block/prevent safety measures.

**IMPORTANT NOTE:**

**ALL REPAIRS MUST BE DONE TO ORIGINAL MANUFACTURER SPECIFICATIONS. FAILURE TO DO SO VOID ALL WARRANTIES AND OPERATOR ASSUMES ALL RISKS.**

Note: The contents of this manual may be updated without notice.

# 1. SPECIFICATIONS

Rated power supply: AC110V 50/60Hz;

Min. Power consumption: 300W

Max. Power consumption: 350W


Dimension: H80.43×W20.86×D30.66 in

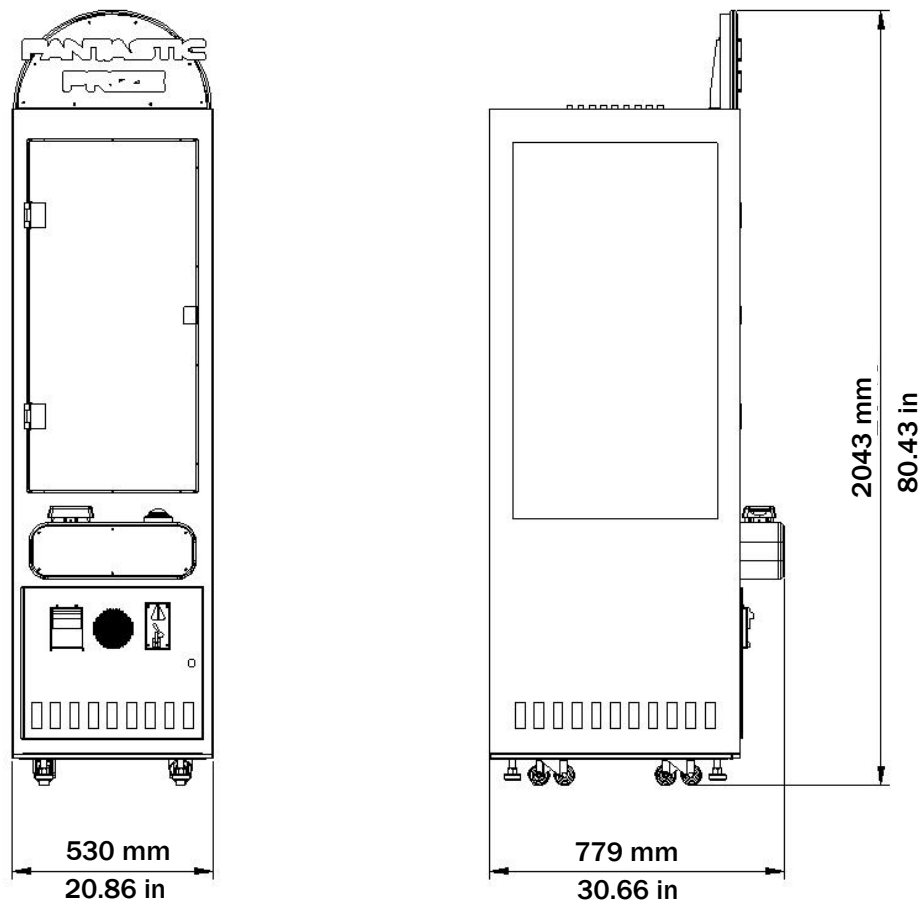
H2043×W530 ×D779 mm

Weight: Approximately 182.98 lb/83 KG

Model No: T-417

Part No.: M149

 **NOTICE** : After turning off the game, please wait at least 1 minute before restarting again.










**Note:** Game specifications are subject to change without notice.

## 2. CONTENTS OF THE ACCESSORY KIT

Open the package and make sure all the items are included:

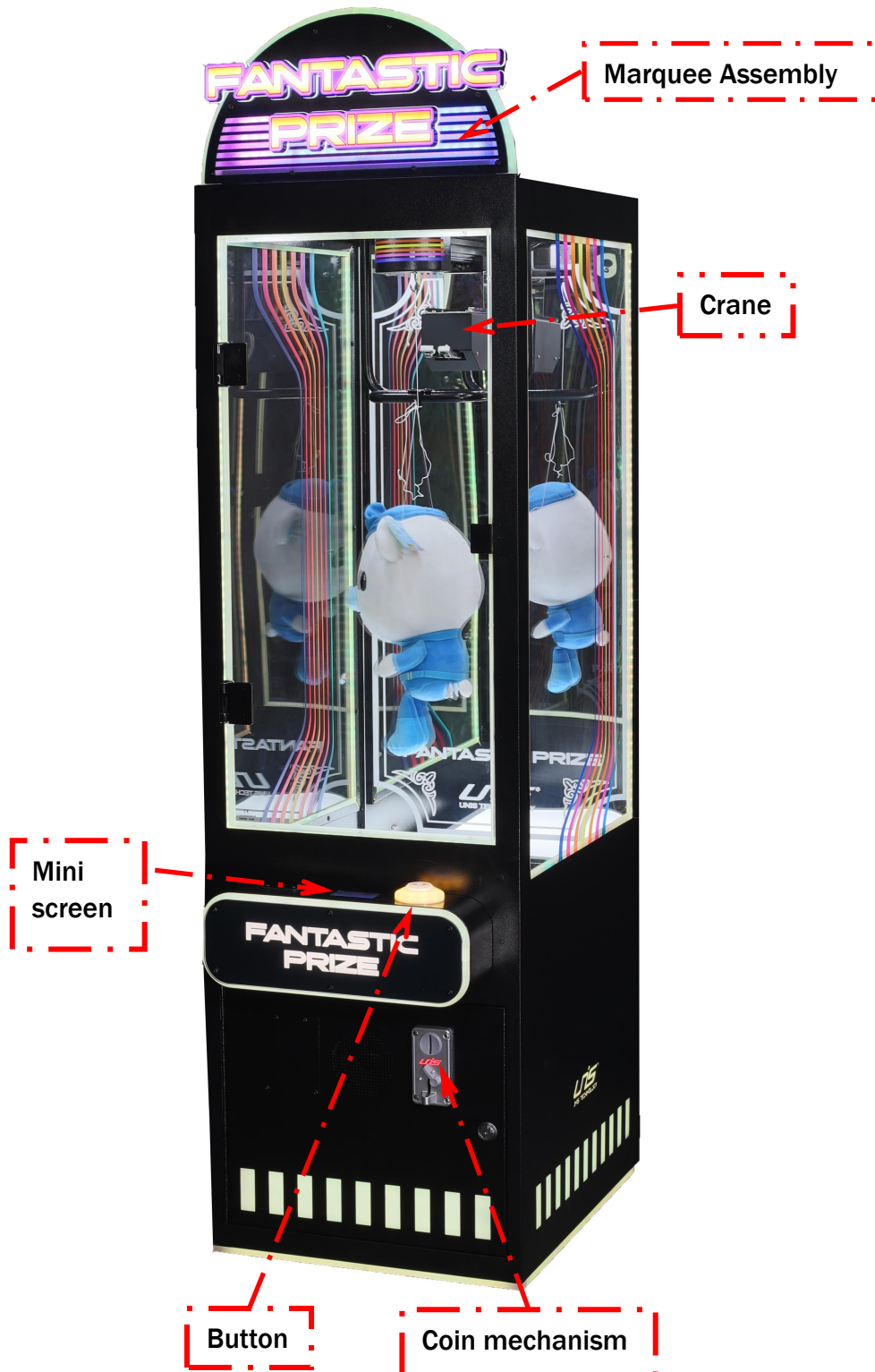
Following accessories

No.	Part No.	Part No.	Name/SPEC	Picture	Qty
1	M149-0704-00	2.53.00608837	1408a key		1
2	M149-0705-00	2.53.00608838	1408b key		1
3	M149-0706-00	2.33.01.010020	Power cord 3×16AWG 1.8M		1
4	M149-0703-00	2.51.08.010023	String φ1.5 120m/roll		1
5	M149-0711-00	4.14.40000681	Manual		1
6	M149-0709-00	2.19.01.000013	Fuse Φ5×20 T10A/250V		1
7	M149-0710-00	2.19.01.000012	Fuse Φ5×20mm T5A/250VAC		3
8	M149-0702-00	202.2.2353.028	Blanking plate	/	1
9	M149-0707-00	2.66.01.110457	Packing bag		1
10	M149-0708-00	2.66.01.110458	Blade set		1

**NOTE:** Part models are subject to change without notice.

### 3. PART NAME

#### Key Components





## 4. SET UP & INSTALLATION

### ⚠ NOTICE

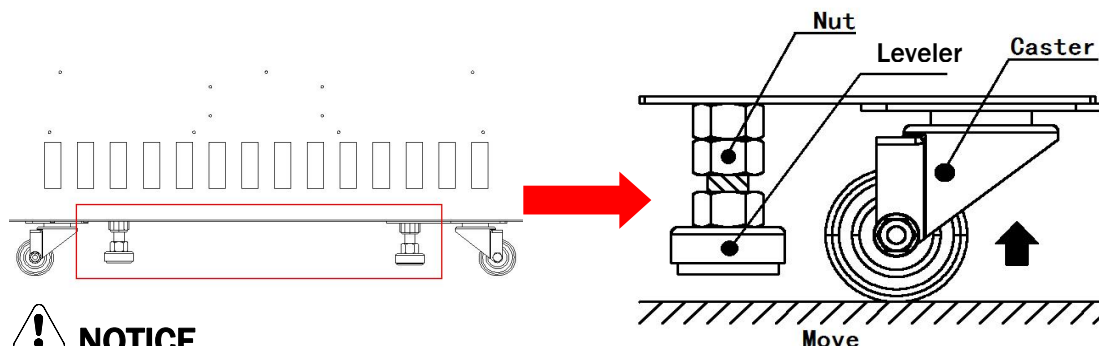
**We do not recommend using power tools as they may cause damage.**

⚠ **This product is an indoor game machine. Do not install outdoors.**

- Refer to IMPORTANT SAFETY INSTRUCTIONS (Pg. 3) for places to avoid.
- Place the unit on a dry level surface.
- Ventilation openings in the back of the unit must not be obstructed by objects or by wall.

### 4.1 Transporting the Game

If you need to move the game, adjust the levelers back to an “up” position.



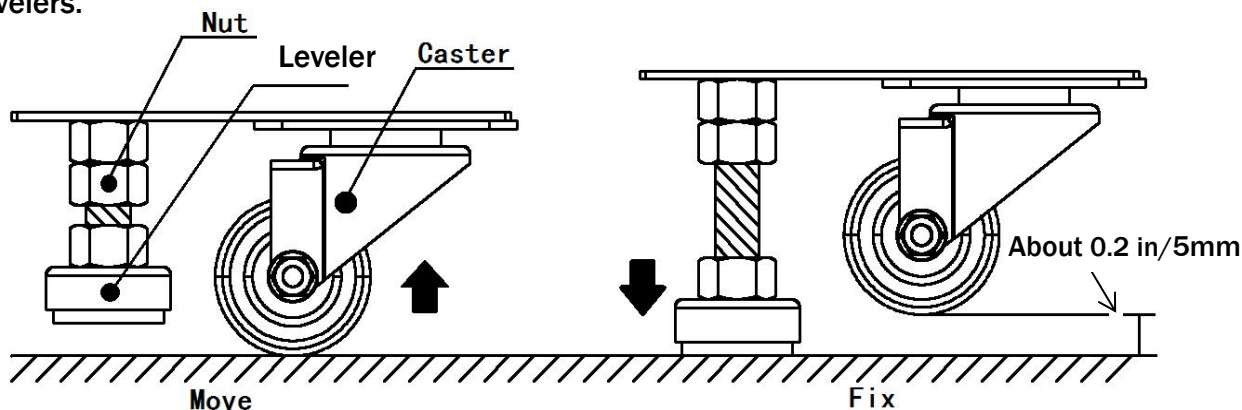
### ⚠ NOTICE

- Be careful not to damage the machine during transport.
- Always unplug the game before moving.
- Keep the machine in upright position during transport.
- For longer distance transport, package the game properly to prevent damages.

### 4.2 Level Adjustment

Install this game on a flat surface. If the game is installed on an unsuitable floor, it could cause game malfunction.

To secure the game, loosen the nut, utilize wrench to adjust the leveler down until it touches the floor, lifting the casters off the ground by 0.2 in/5mm. Repeat the same for all levelers.



### ⚠ NOTICE

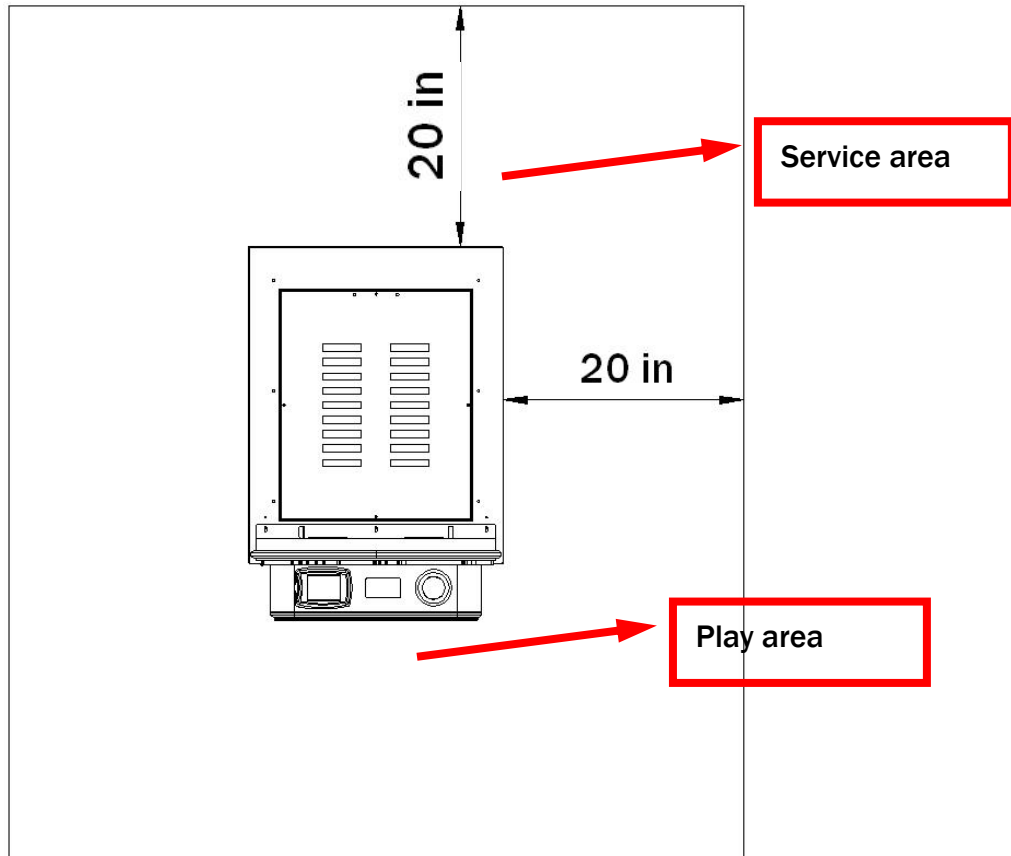
**Make sure the machine is level.**

### 4.3 Play Zone

This machine requires space for playing and for maintenance as shown below.

Leave space around the game upon installation:

Service area: 20 in





#### NOTICE

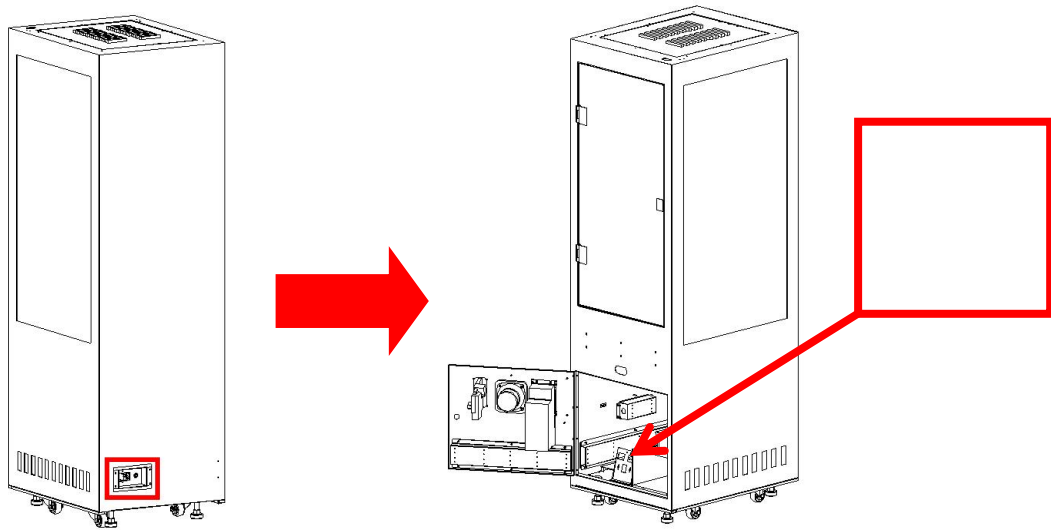
Your unit must be leveled to operate properly.

### 4.4 Machine Installation

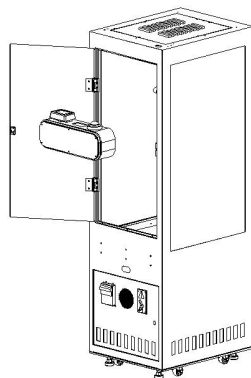
Before processing with assembly assure you have the following tools.

No.	Name	Picture
1	Phillips screwdriver	
2	1408a key	

Step 1 Power on the machine. Utilize key to open bottom door. Locate Meter panel. Press L button "Open door" to open glass door.

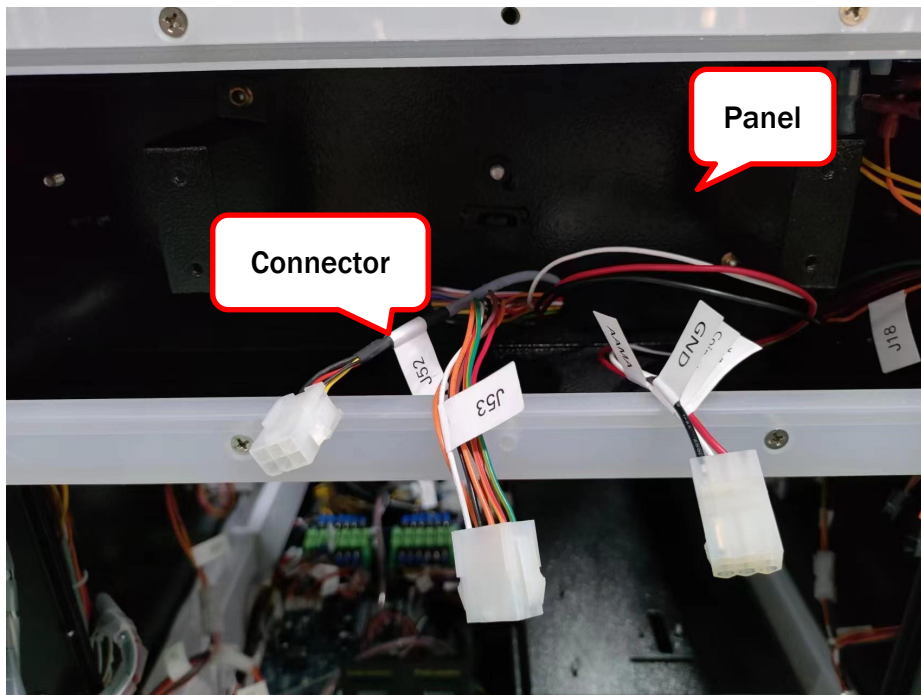


Step 2 Take Control panel out. Locate Control panel assy. Loosen screws to remove Panel plastic.

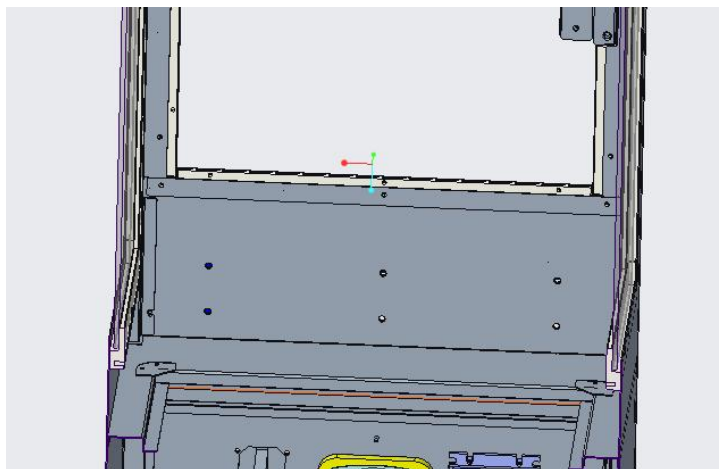
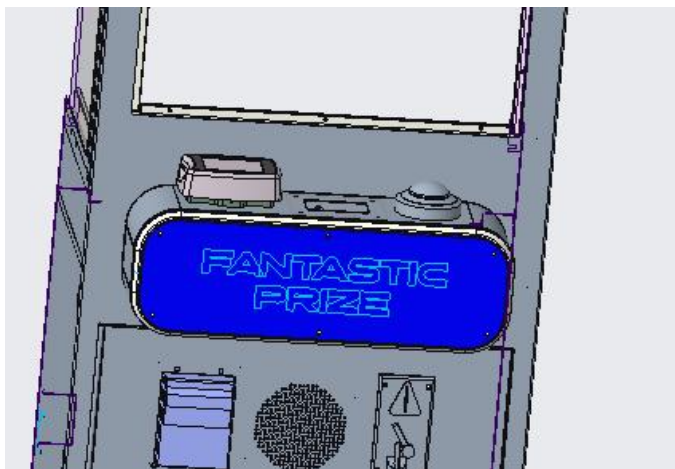


Step 3 Place Control panel assy. to the Cabinet. Lead the cabinet cables through the hole to the panel.

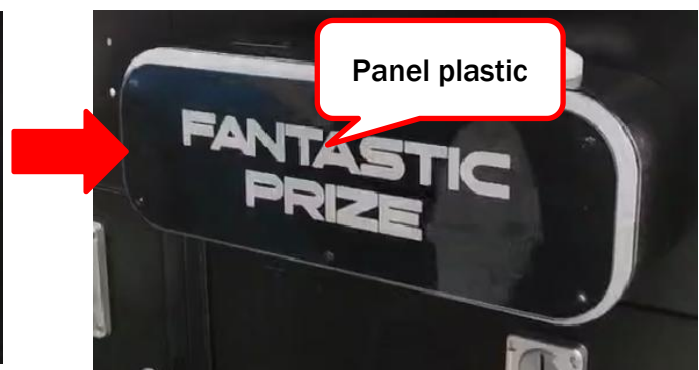
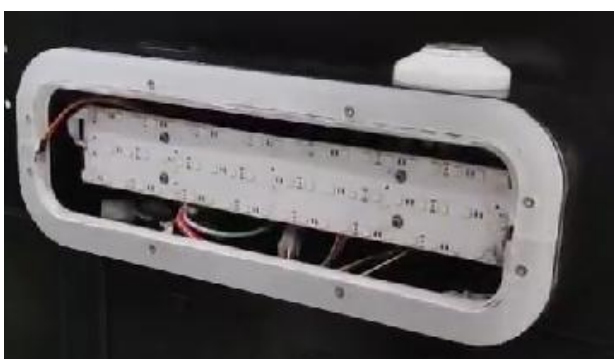
Connect J52, J53 connectors to the panel port.



Step 4 Utilize screws to secure Panel.(From cabinet inside)




Step 5 Install Panel plastic back.



**Finish!**

## 4.5 Card Reader Installation Safety Notice

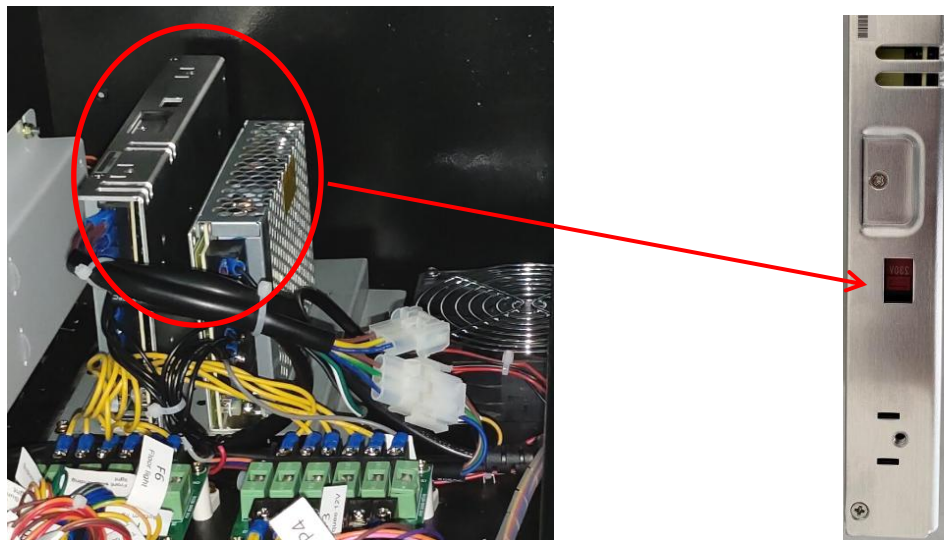
 Take precaution to assure that all wiring voltages are confirmed prior to installation of card reader. All warranties are void if not properly installed resulting in logic board damage.

**Important:** This game is pre-wired to AAMA standards. It is highly recommended to utilize this wiring for Card reader installation.

## 4.6 Voltage Conversion

**Step 1** Power off the machine. Locate the Power supply.

**Step 2** Toggle the Power supply and PC switch to 115V or 230V according to your need.



## 5. LOCATION OPERATION INSTRUCTIONS

### 5.1 First Power On Operation

Step 1. When first power on the machine, only need to confirm and adjust below parameter ↓



Open front Prize door with door key, there is a Keyboard near the Coin box. Press "PROGRAM" button to enter the setting menu.

No.	Parameter	Recommend	How to Set
1	Coin/Game (How many coins per play)	3-5 coins	Screen:ParaSet-Coin/Game

**Warning: All the other parameters have been fully tested by factory technical personnel before shipped. Do not adjust until you have read the manual & instructions in detail.**

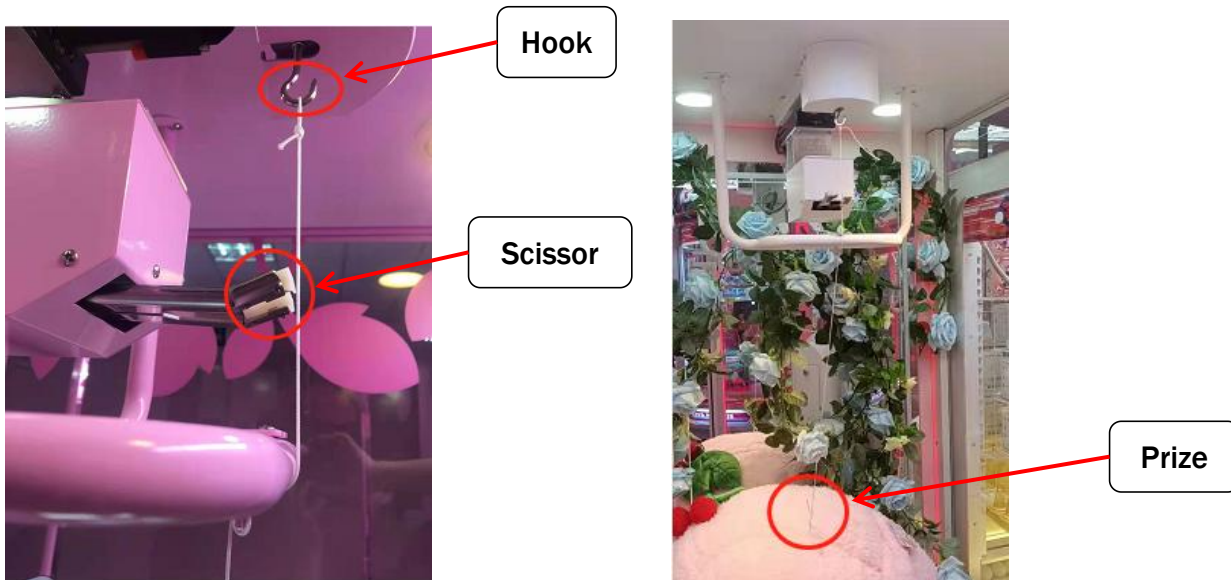
## 5.2 Prize Hanging Important Notice

**Note: Please follow the process to hang the prize!**

**Step 1. Take out the String from accessory bag (see below picture).**



**Step 2. Tie one end of String to the Hook and the other end of String to the Prize; The String must be tied inside the middle lowest point of Hook, and must be fixed straight;**



(One end of String to the hook ↑ )

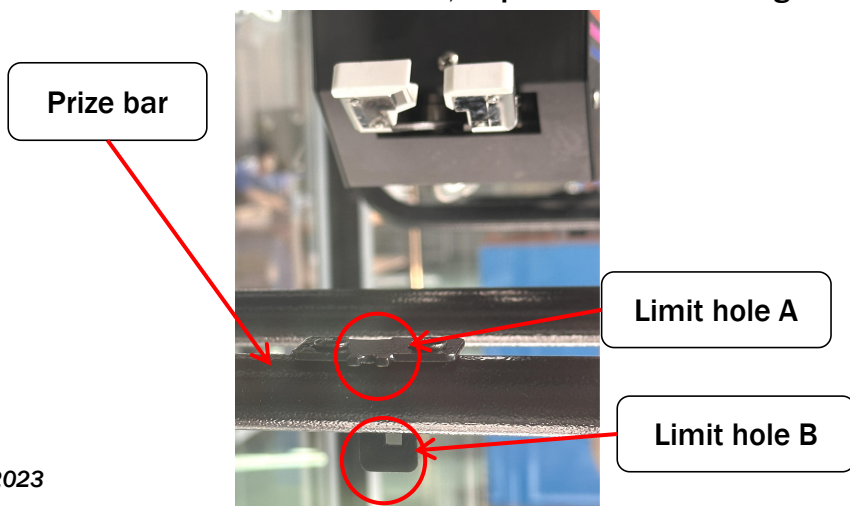
(The other end of String to the Prize ↑ )

**Two Ways of Placing Prize: Prize can be hung or place onto the Platform**

**Prize Hung Weight Limit: 33.06 lb**

**Prize Platform Bearing Weight Limit: 176.36 lb**

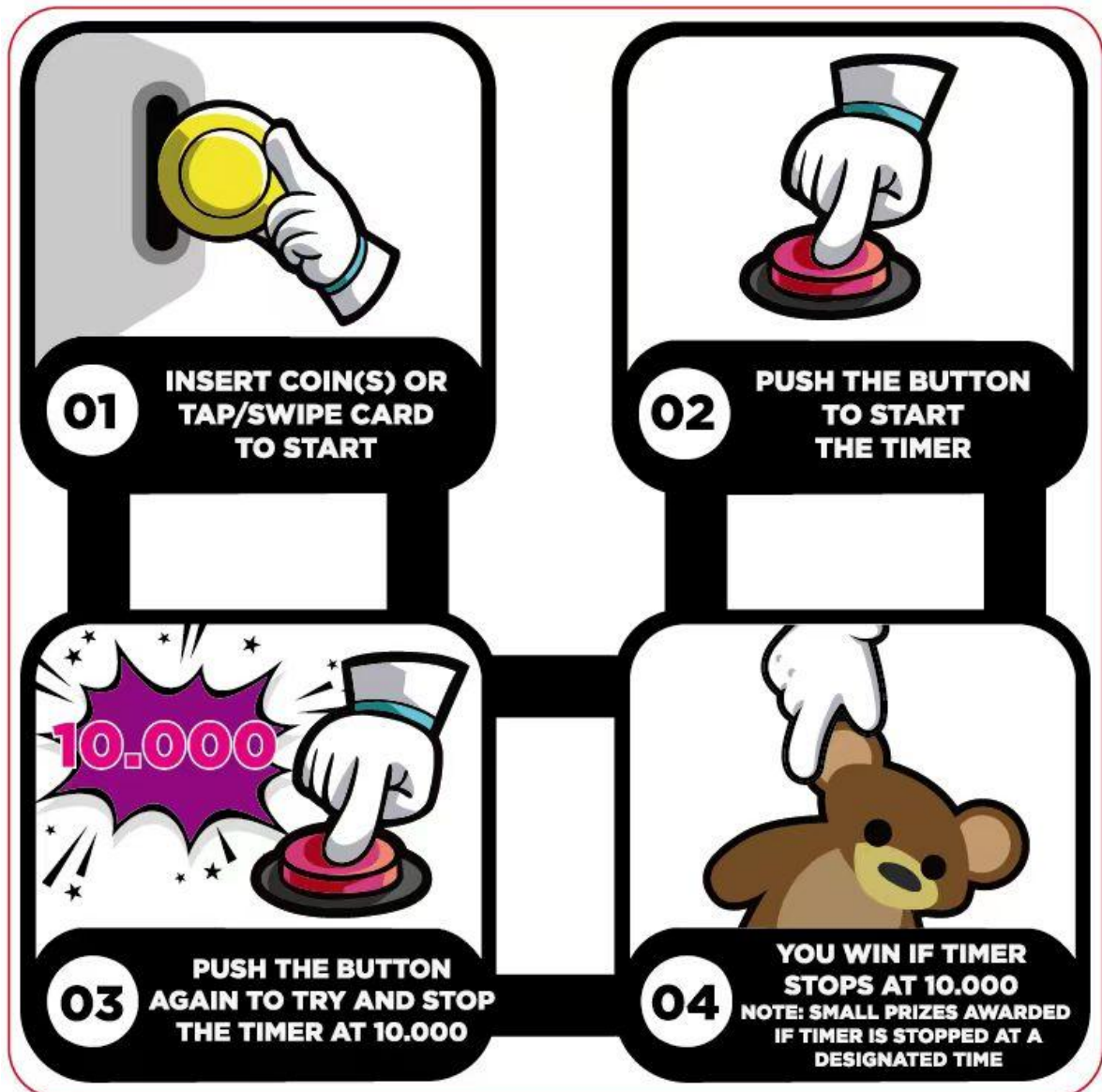
**Step 3. When pull the string to pass through the prize bar, please make sure the string pass both Limit hole A and Limit hole B, requests 2-3 circles to go through Limit hole B;**



## 6. HOW TO PLAY

1. Insert Coin(s) or Tap/Swipe Card to Start.
2. Press and hold the button to extend the scissors.
3. Release the button in a good timing to cut the string.
4. If String cut: Glass door will open, the prize drops and player wins the prize. If String not cut: player should try again.

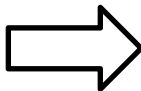
Note: Attendant should refill the prize after prize is collected by player.





## 7. GAME OPTION

### 7.1 Keyboard instruction



Open front Prize door with door key, there is a Keyboard near the Coin box. Press “PROGRAM” button to enter the setting menu.

After entering the menu, use the keyboard to control mini screen cursor to up, down, left and right to choose, press “Confirm” button to enter or save.

Options	Description
L	Move mini screen cursor to left
R	Move mini screen cursor to right
UP	Move mini screen cursor to up
DOWN	Move mini screen cursor to down
PROGRAM	Long press to enter setting menu/Return
FREEGAME	Service coin to activate plays
CONFIRM	To confirm every selection/Enter

### 7.2 Setting menu

#### 7.2.1 Main menu: The first interface while entering the setting menu

No.	Options	Description
01	Accounts	Refer to 7.2.2
02	ParaSet	Refer to 7.2.3
03	Hardware	Refer to 7.2.4
04	VerInfo	Refer to 7.2.5
05	Exit	

## 7.2.2 Accounts: operation records are included as below

Options	Description
COINS	The total number of coins inserted.
GAMES	The total number of game plays.
PRIZES	The total number of prize out.

## 7.2.3 Para Set: Game settings up are included as below

No.	Options	Adjustable value	Default	Description
01	Coin/Game	1-20	2	The number of coins for each game.
02	Pats/Game	1-2	2	How many pats per game.
03	Level	Easy/Normal/Hard	Easy	The playing difficulty.
04	Blade	270-400	280	
05	Volume	0-30	25	
06	Run Max	0-4280	-	
07	Cut Pos	2800-3000	-	For prize out usage: The distance between the scissor and the rope. It is to help prize out, the biggest the number, more helpful for prize out.
08	Open Mode	Win/Lock	Win	Win:Glass door will open while the player wins; Lock: Need attendant to use Keys to open the front door;
09	Free Mode	On/Off	Off	Free play
10	DBV Bonus	On/Off	On	If no DBV installed, On/Off: both invalid If DBV installed and select Off: no extra credits; If DBV installed and select On: 4 bonus credits will be given while inserting 5, 10 or 20 dollars;
11	Demo Music	On/Off	On	
12	Np Alarm	On/Off	On	
13	Language	English/Chinese	English	
14	Clr Accounts	Continue/Exit	-	Clear account and the number of games
15	Factory Reset	Continue/Exit	-	To reset the machine
16	Exit			Back to the front page

### 7.2.4 Hardware

No.	Options	Description
01	Test	Test the electrical components.
02	Cut Off	Test the crane to cut the string.
03	Open Door	Open the front glass door.
04	Demo Color	Change the led lighting colors.
05	Music Test	
06	Exit	

### 7.2.5 Ver Info (Show Version number & Date)

<b>Ver:</b>	<b>SKNJ ----</b>
<b>(Date)</b>	<b>-- -- -- --</b>

## 8. TROUBLESHOOTING

### 8.1 Common Problem

Please confirm that all connectors fit tightly.

Symptom	Possible Cause	Recommended action
Game will not start	Frame assembly connector is loose.	Check connector.
	Frame assembly fault	Contact with UNIS Service.
Power off	Circuit protector make power SW in off state.	Turn on power SW again. If appeared again and again, machine has anomaly. Please contact with UNIS Service.
Card reader not working	The connector is loose.	Check connector.
	Card reader fault.	Check with card reader manufacturer.
No sound	Low volume	Raise the volume.
	Connector loose.	Check connector.
	Speaker fault.	Check speaker.
	POT installation error.	Install POT correctly.
	POT fault.	Change POT.
	Audio cable problem.	Reconnect the audio cable or change it.
The prize door can't open.	Door lock is faulty	Replace the door lock.
	The door holder stuck with the lock.	Remove the door holder.
	The door stuck with the cabinet frame.	Utilize key to open.

If you see following error signs showing on the display, please try the recommended action.

Display	Possible Cause	Recommended action
E5 Pls Close Door	The prize door is not been closed.	Close the prize door
	The prize door lock is faulty.	Replace the prize door lock.
E3 Motor Err	The crane do not touch the Back limited sensor.	Restart the machine.
	Connector became loose during transport.	Check and reconnect the Back limited sensor and Front&back motor connector.
	Back limited sensor is faulty.	Replace Back limited sensor.
	Front and back motor is faulty.	Replace Front and back motor motor.
E4 Cut Err	The scissors are not cut or continuously cutting during the game.	Restart the machine.
	Connector became loose during transport.	Check and reconnect the sensor and motor connector.
	Scissors sensor screw loosen	Adjust the scissors sensor screw.
	Scissors sensor is faulty.	Replace scissors sensor.
	Scissors motor is faulty.	Test the scissors motor.(Refer to 8.4). If the motor is faulty, replace scissors motor.
E1 Coin Error	The coin mechanism signal is faulty.	Turn the NO/NC switch to the NO position.
	The coin mechanism is faulty.	Replace coin mechanism.
E2 No Prize Hanging	No prize on the cabinet.	Add prize.
	The prize is too light	The prize weight should be over 0.5kg.
	Hook sensor is faulty.	Replace Hook sensor.

## 8.2 System Update Operation

Step 1. Power off the game.

Step 2. Insert the TF card with new program into the TF card socket of the mainboard.

Step 3. Power on and the system will automatically start update.

Step 4. Wait for several seconds, remove TF card. Restart the machine.

Step 5. Factory Reset: Enter Program-ParaSet-Factory Reset.

Step 6. Program Update complete!



**WARNING:** The TF card should only be used to update system. Using it for other purposes may cause unexpected results and damages.

## 9. MAINTENANCE & INSPECTION

### 9.1 Safety Check

Check the points listed before operating the machine. These checks are necessary for safe machine operation:

1. Test game before operation each day.
2. Conduct monthly routine checks of game components to ensure good working condition.
3. Check the machine regularly for dust and clean when necessary.

**Note:** Parts and components require preventative maintenance to maintain proper operation.

### 9.2 Handling Precautions

When installing or inspecting the machine, be very careful and pay attention to ensure that the player can enjoy the game safely.

Inappropriate handling running counter to the cautionary matters can cause personal injury or damage to the machine.

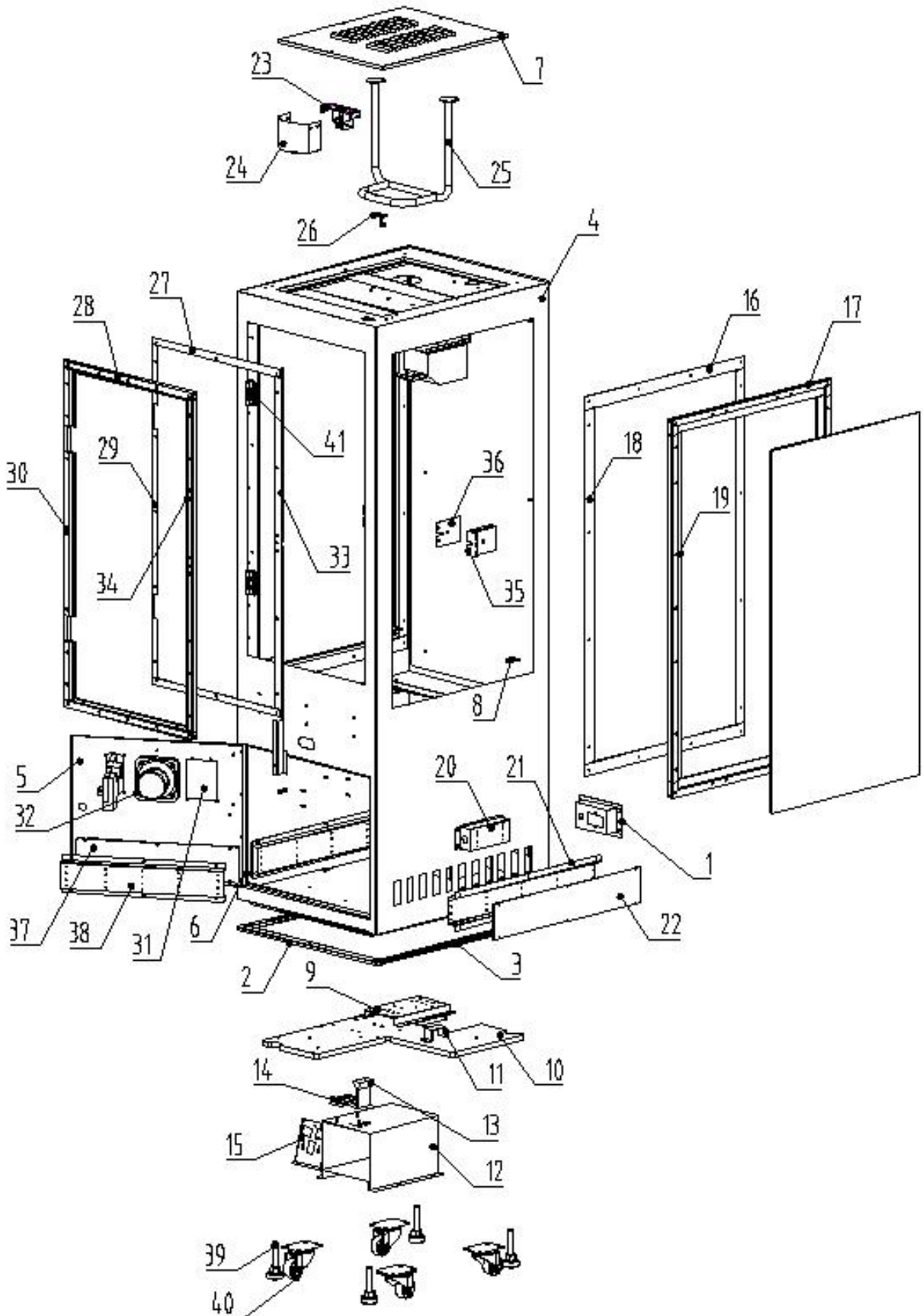


#### **NOTICE**

**We do not recommend using power tools as they may cause damage.**

# 10. OVERALL CONSTRUCTION

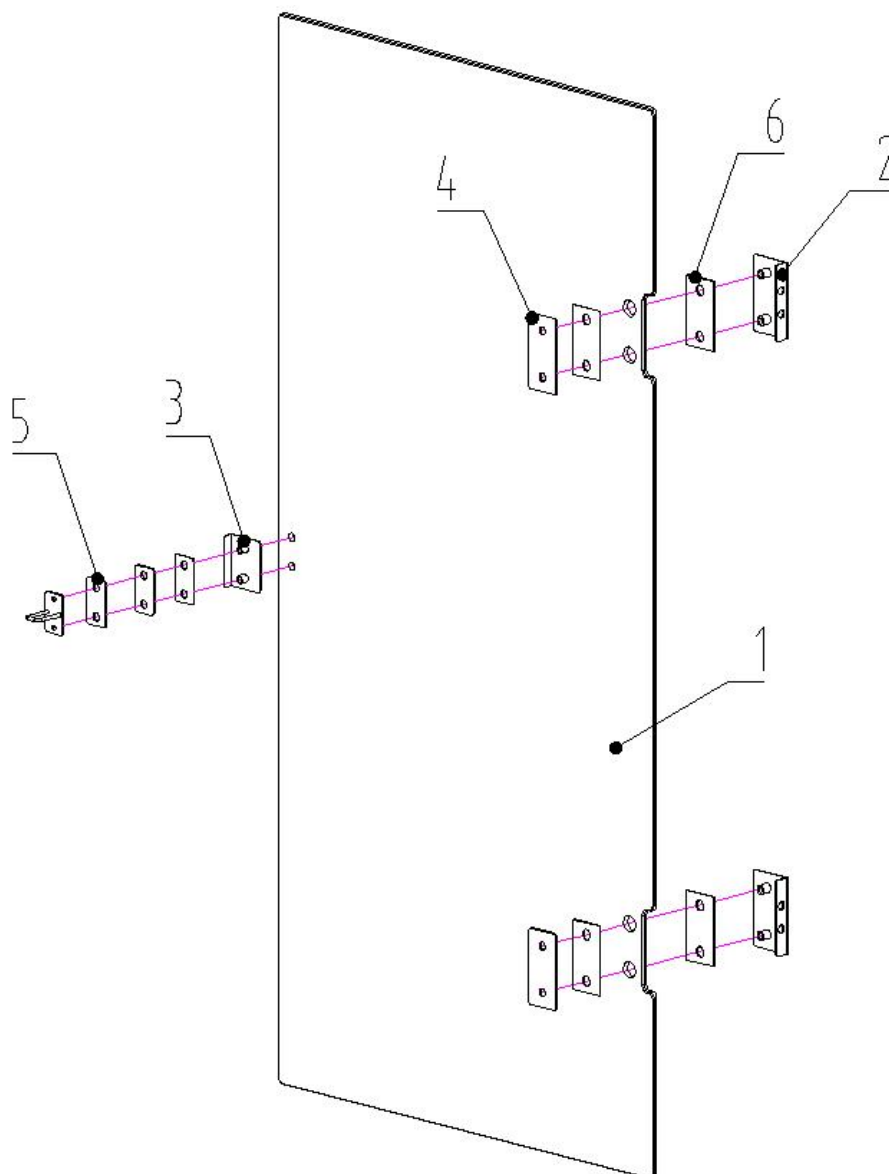
## 10.1 General Assembly



No.	Part No.	Code No.	Name	Version	Qty
1	M149-0103-00	202.2.2353.004	Power socket plate	V1.1	1
2	M149-0104-00	206.2.2353.005	Base front plastic	V1.1	1
3	M149-0105-00	206.2.2353.006	Base L&R plastic	V1.1	2
4	M149-0107-00	202.2.2353.001	Frame	V1.1	1
5	M149-0108-00	202.2.2353.002	Frame door plate	V1.1	1
6	M149-0109-00	202.2.2353.003	Frame door hinge	V1.1	1
7	M149-0110-00	202.2.2353.013	Frame upper cover plate	V1.1	1
8	M149-0111-00	202.2.2353.005	Flat board light pressing	V1.1	4
9	M149-0112-00	2.60.00001000D	Power supply plate	V1.1	1
10	M149-0113-00	203.2.2353.001	Electrical mounting plate	V1.1	1
11	M149-0115-00	202.4.2002.044	small Power supply plate	V1.1	1
12	M149-0116-00	202.2.2353.009	Coin box	V1.1	1
13	M149-0117-00	202.2.2353.010	Coin chute	V1.1	1
14	M149-0118-00	202.2.2353.021	TF card cover plate	V1.1	1
15	M149-0119-00	202.2.2353.018	Meter panel mounting	V1.1	1
16	M149-0120-00	202.2.2353.019	Side cover plate short	V1.1	4
17	M149-0121-00	206.2.2353.025	Side light plastic short	V1.1	4
18	M149-0122-00	202.2.2353.020	Side cover plate long	V1.1	4
19	M149-0123-00	206.2.2353.026	Side light plastic long	V1.1	4
20	M149-0124-00	206.2.2318.006	LOGO light strip mounting	V1.1	2
21	M149-0126-00	206.2.2353.003	Side light strip mounting	V1.1	2
22	M149-0127-00	206.2.2353.004	Side light plastic	V1.1	2
23	M149-0128-00	202.2.2353.014	Hook spring mounting	V1.1	1
24	M149-0129-00	202.2.2353.015	Hook cover plate	V1.1	1
25	M149-0130-00	202.2.2353.016	Bend tube plate	V1.1	1
26	M149-0131-00	202.2.2353.017	Bend tube hook plate	V1.1	1
27	M149-0132-00	202.2.2353.006	Door plastic up&down	V1.1	2
28	M149-0133-00	206.2.2353.007	Door up&down plate	V1.1	2
29	M149-0134-00	202.2.2353.007	Door plastic L pressing	V1.1	1
30	M149-0135-00	206.2.2353.008	Door L block plate	V1.1	1
31	M149-0136-00	202.2.2353.027	DBV cover plate	V1.1	1
32	M149-0137-00	203.2.2353.002	Speaker pad board	V1.1	1
33	M149-0138-00	202.2.2353.008	Door plastic R pressing	V1.1	1
34	M149-0139-00	206.2.2353.009	Door R block plate	V1.1	1
35	M149-0140-00	202.2.2353.011	Electrical magnet base	V1.1	1
36	M149-0141-00	202.2.2353.012	Electrical magnet cover	V1.1	1
37	M149-0142-00	206.2.2353.001	Door light plastic	V1.1	1
38	M149-0143-00	206.2.2353.002	Door light strip mounting	V1.1	1
39	M149-0148-00	2.60.00008000	Caster leveller	V1.1	4
40	M149-0150-00	2.55.01.000056	2.5" caster	V1.1	4
41	M149-0154-00	2.63.01.000024	Chain	V1.1	2

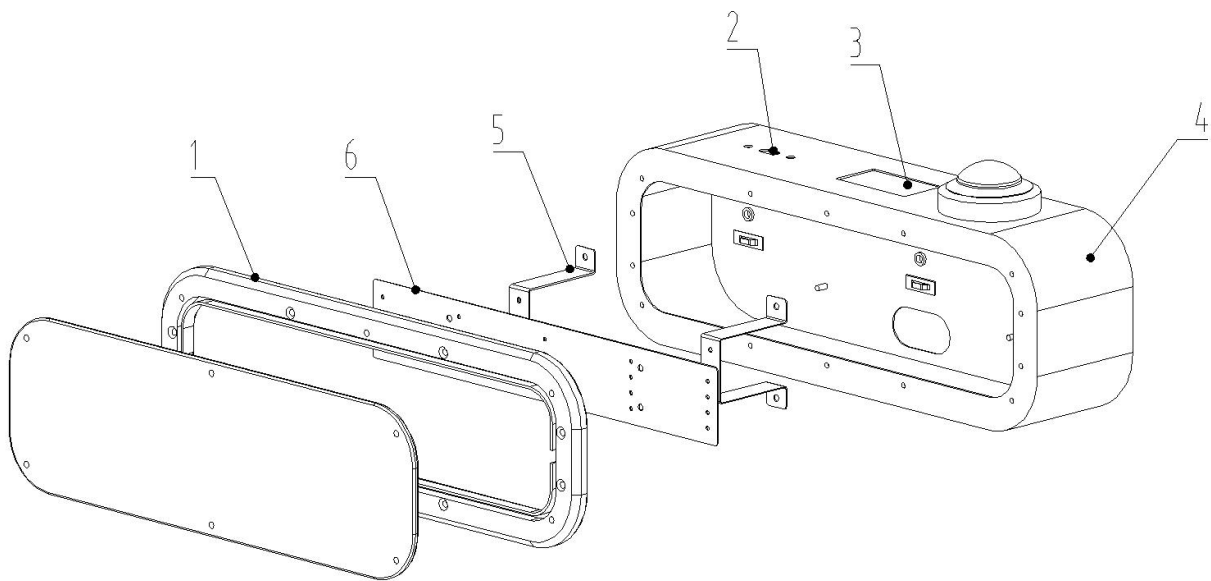


## 10.2 Glass Door



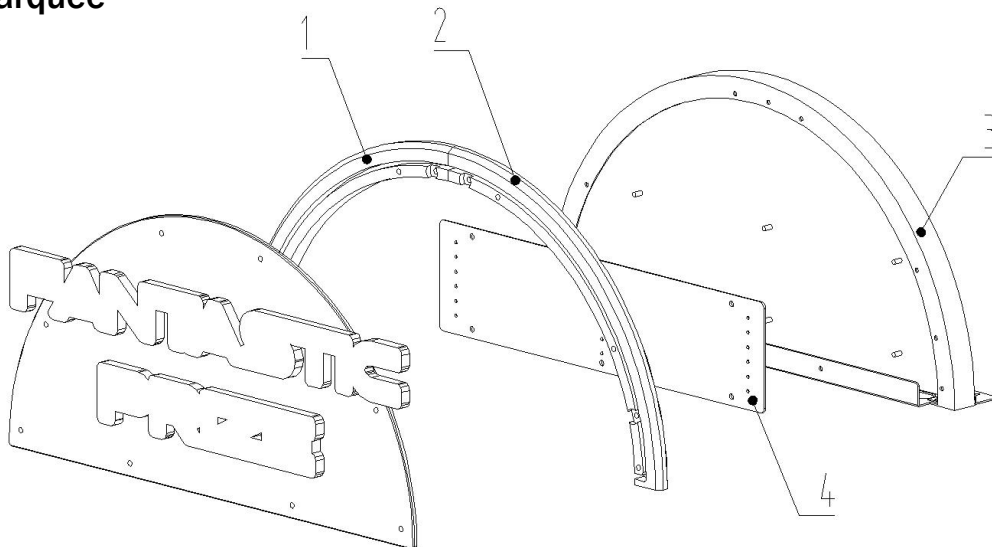
No.	Part No.	Code No.	Name	Version	Qty
1	M149-0202-00	206.2.2353.012	Glass door	V1.1	1
2	M149-0203-00	202.2.2353.024	Chain mounting plate	V1.1	2
3	M149-0204-00	202.2.2353.026	Lock mounting plate	V1.1	1
4	M149-0205-00	202.2.2353.025	Glass door back plate	V1.1	2
5	M149-0206-00	206.2.2353.014	Glass door pad B	V1.1	3
6	M149-0207-00	206.2.2353.013	Glass door pad A	V1.1	6

### 10.3 Control Panel



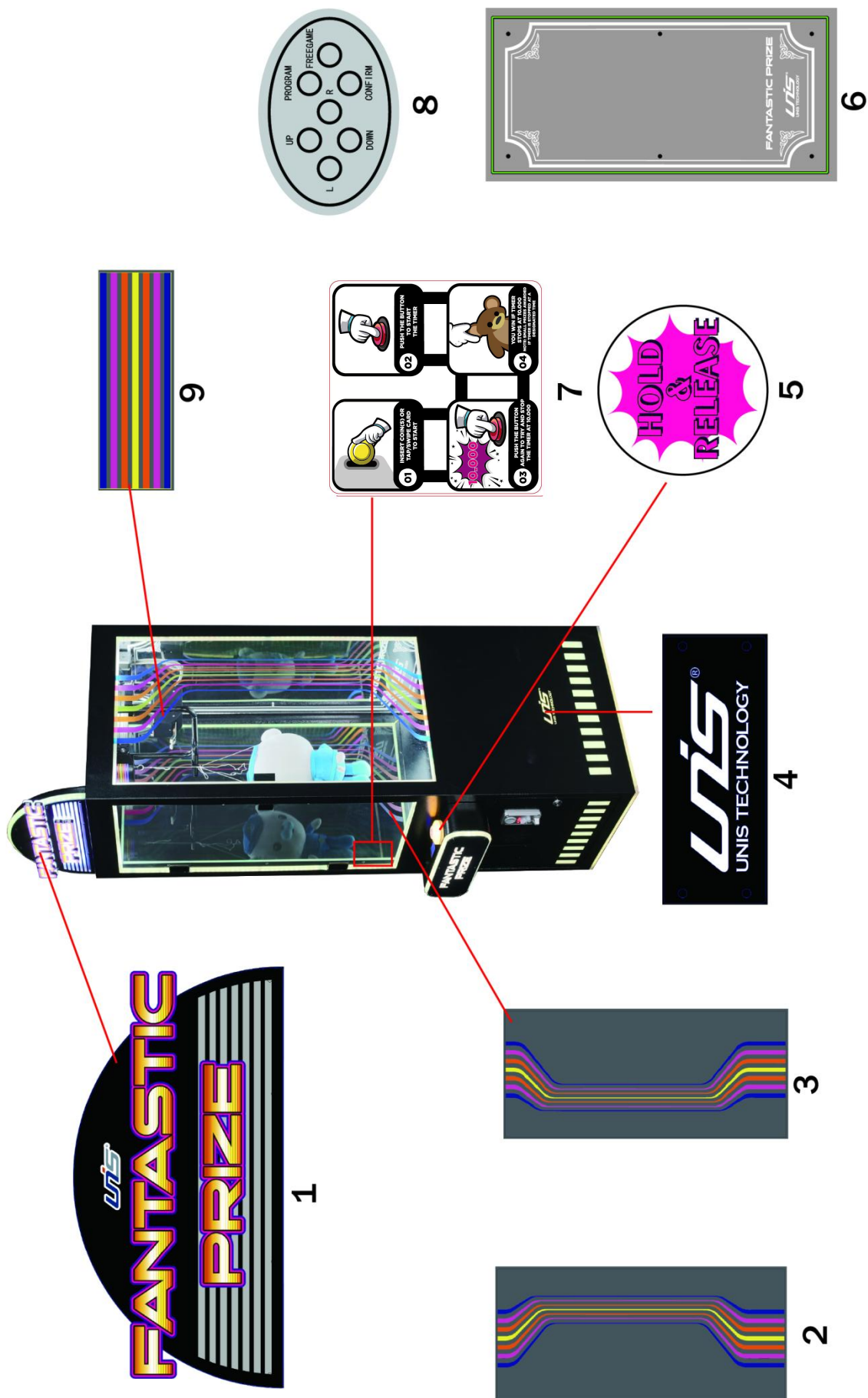
No.	Part No.	Code No.	Name	Version	Qty
1	M149-0303-00	206.2.2353.010	Control panel light plastic	V1.1	2
2	M149-0304-00	206.2.2318.031	Card reader blanking plastic	V1.1	1
3	M149-0305-00	206.2.2353.024	Display protect plastic	V1.1	1
4	M149-0306-00	202.2.2353.022	Control panel bracket	V1.1	1
5	M149-0307-00	202.2.2353.023	Light strip plate	V1.1	2
6	M149-0308-00	206.2.2353.011	Control panel light strip mounting plate	V1.1	1

### 10.4 Marquee

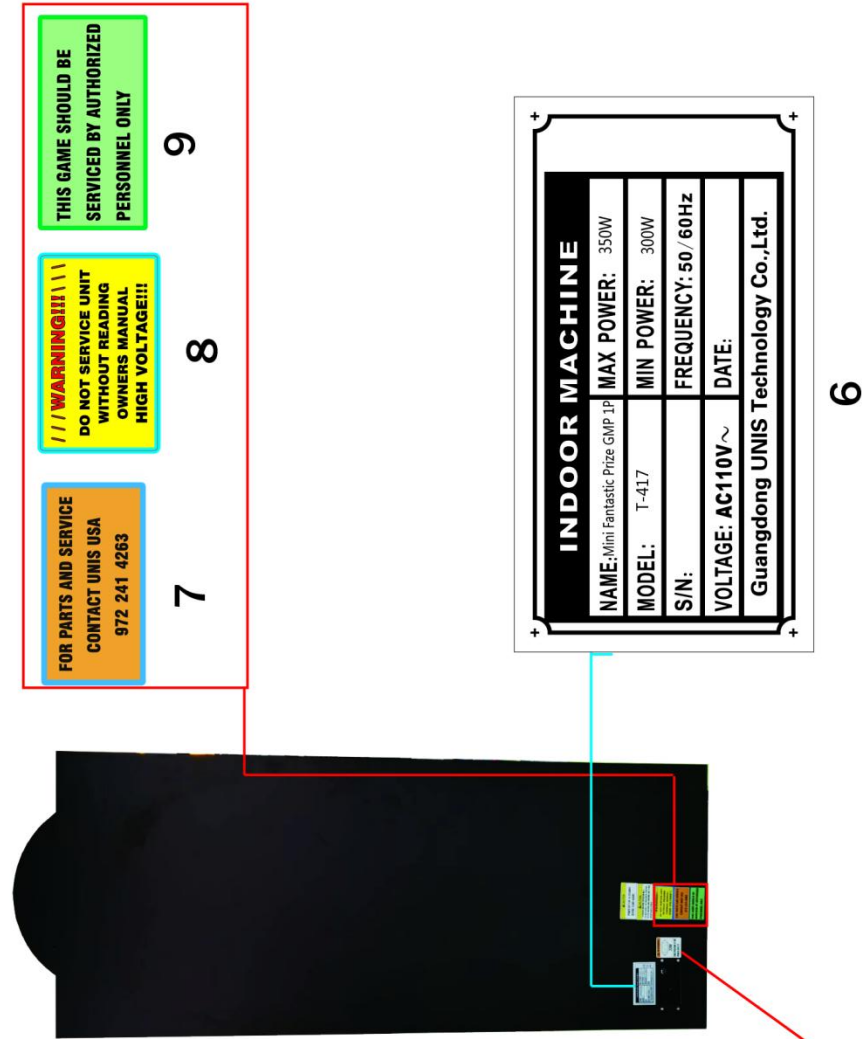


No.	Part No.	Code No.	Name	Version	Qty
1	M149-0002-00	206.2.2353.027	L light plastic	V1.1	1
2	M149-0003-00	206.2.2353.028	R light plastic	V1.1	1
3	M149-0005-00	202.2.2353.035	Marquee bracket	V1.1	1
4	M149-0006-00	206.2.2353.029	Marquee light plastic mounting PVC	V1.1	1

### 10.5 Decals



No.	Part No.	Code No.	Name	Version	Qty
1	M149-0004-00	205.2.2353.003	Marquee	V1.1	1
2	M149-0146-00	205.2.2353.005	R side glass	V1.1	1
3	M149-0147-00	205.2.2353.002	L side glass	V1.1	1
4	M149-0125-00	205.2.2306.011	LOGO acrylic	V1.1	2
5	M149-0809-00	205.2.2306.014	Button decal	V1.1	1
6	M149-0106-00	205.2.2353.004	Mirror plastic	V1.1	1
7	M149-0808-00	205.2.2306.013	How to play instruction	V1.1	1
8	M149-0806-00	205.2.2306.029	Setting panel decal	V1.1	1
9	M149-0807-00	205.2.2306.009	Crane decal	V1.1	2



- 1**
- Fuse Board Instructions:  
 F1: For L surrounding light 12V  
 F2: For R surrounding light 12V  
 F3: For Front door surrounding light 12V  
 F4: For Bottom light 12V  
 F5: For Top downlight 12V  
 F6: For Floor light 12V
- 2**
- Coin counter  
 Prize counter  
 Open door  
 Switch  
 Volume
- 3**
- F1: For mainboard 24V  
 F2: For Marquee 12V  
 F3: For Marquee 12V  
 F4: For Marquee 12V  
 F5: NC  
 F6: For mainboard 24V



Location	Pin	Color	Signal
F1: For L surrounding light 12V	J1	B	NC
	J2	B	NC
	J3	B	NC
	J4	B	NC
	J5	B	NC
	J6	B	NC
F2: For R surrounding light 12V	J1	B	NC
	J2	B	NC
	J3	B	NC
	J4	B	NC
	J5	B	NC
	J6	B	NC
F3: For Front door surrounding light 12V	J1	B	NC
	J2	B	NC
	J3	B	NC
	J4	B	NC
	J5	B	NC
	J6	B	NC
F4: For Bottom light 12V	J1	B	NC
	J2	B	NC
	J3	B	NC
	J4	B	NC
	J5	B	NC
	J6	B	NC
F5: For Top downlight 12V	J1	B	NC
	J2	B	NC
	J3	B	NC
	J4	B	NC
	J5	B	NC
	J6	B	NC
F6: For Floor light 12V	J1	B	NC
	J2	B	NC
	J3	B	NC
	J4	B	NC
	J5	B	NC
	J6	B	NC

**CAUTION**  
 TO ENSURE MACHINE OPERATION WELL,  
 PLEASE ADJUST THE HORIZONTAL POSITION  
 OF THE MACHINE AND CONFIRM THAT IT HAS  
 BEEN PLACED STABLE.

**CAUTION**  
 POWER OFF FOR 10 SECONDS  
 BEFORE START AGAIN !

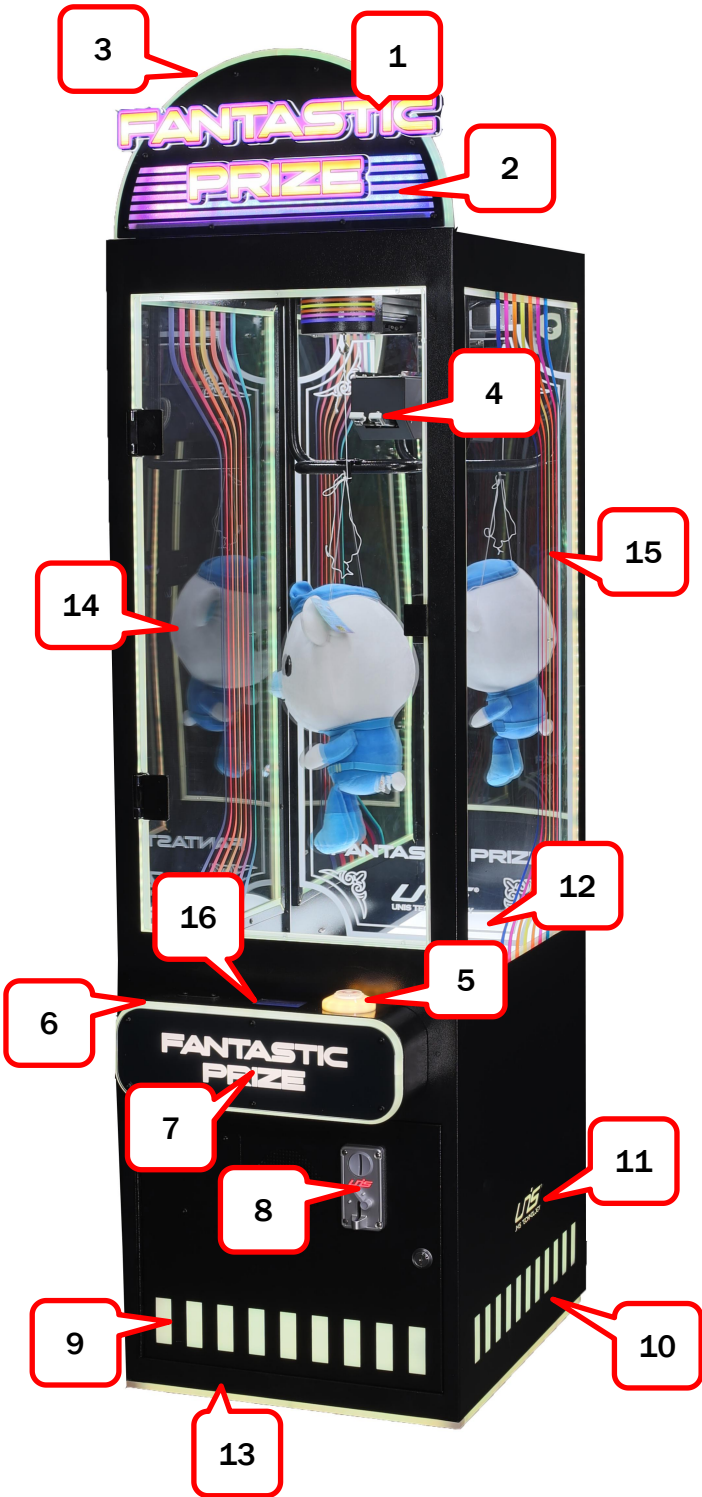
**INDOOR MACHINE**

NAME: Mini Fantastic-Prize GMP 1P	MAX POWER: 350W
MODEL: T-417	MIN POWER: 300W
S/N:	FREQUENCY: 50/60Hz
VOLTAGE: AC110V~	DATE:

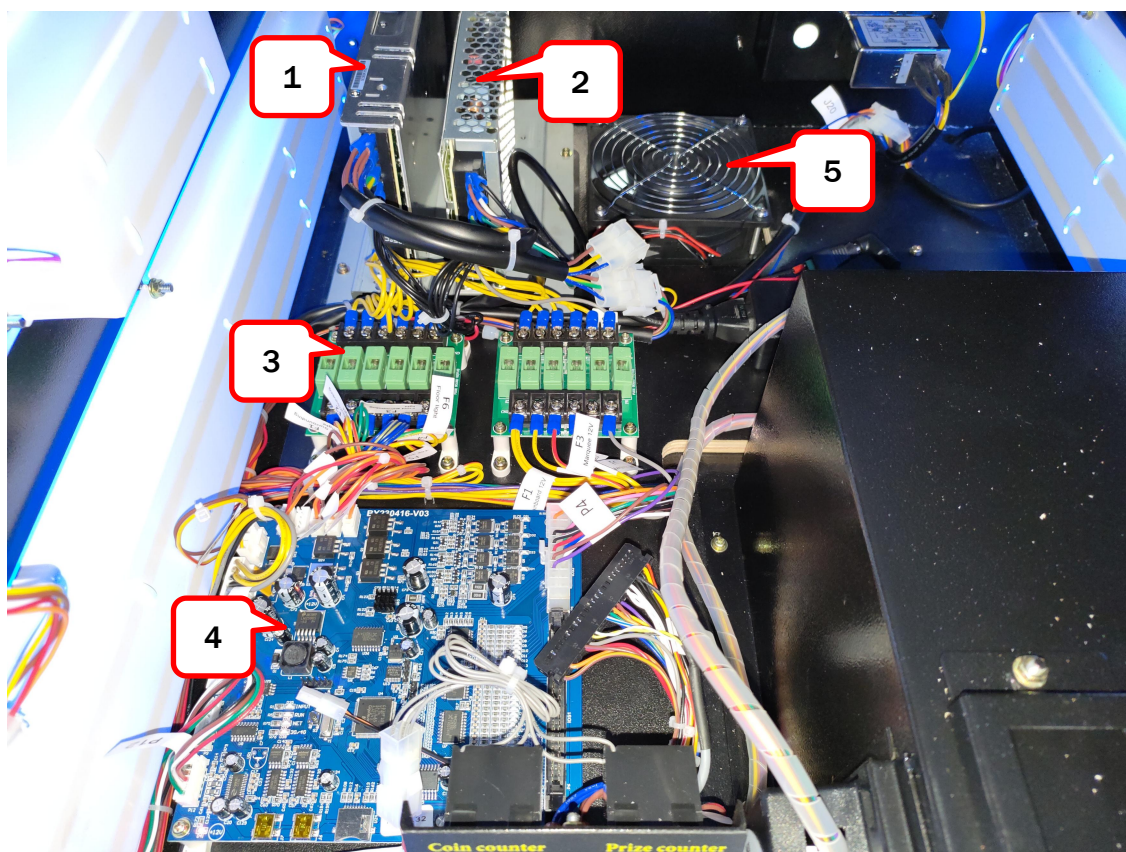
Guangdong UNIS Technology Co.,Ltd.

No.	Part No.	Code No.	Name	Version	Qty
1	M149-0805-00	205.2.2353.009	Fuse instruction decal	V1.1	1
2	M149-0803-00	205.2.2353.007	Counter decal	V1.1	1
3	M149-0804-00	205.2.2353.008	Wiring decal	V1.1	1
4	M149-0817-00	2.56.00.000125	110V warning label	V1.1	1
5	M149-0819-00	2.56.00.000127	Warning label	V1.1	1
6	M149-0821-00	205.2.2353.010	110V nameplate	V1.1	1
7	M149-0813-00	2.56.00.000095A	Maintenance label(L)	V1.1	1
8	M149-0812-00	2.56.00.000067A	Maintenance label	V1.1	1
9	M149-0820-00	2.56.00.000042A	Service label	V1.1	1

### 10.6 Electrical Components

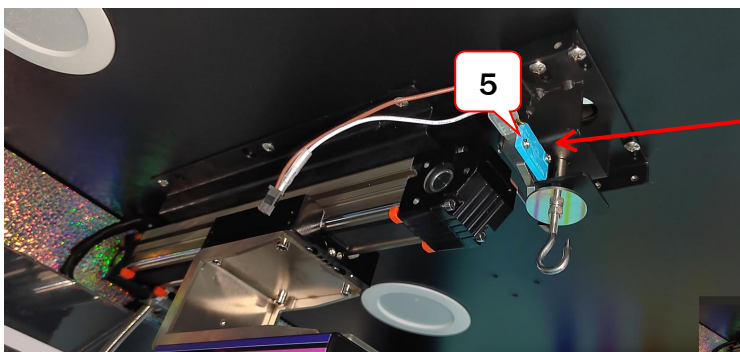
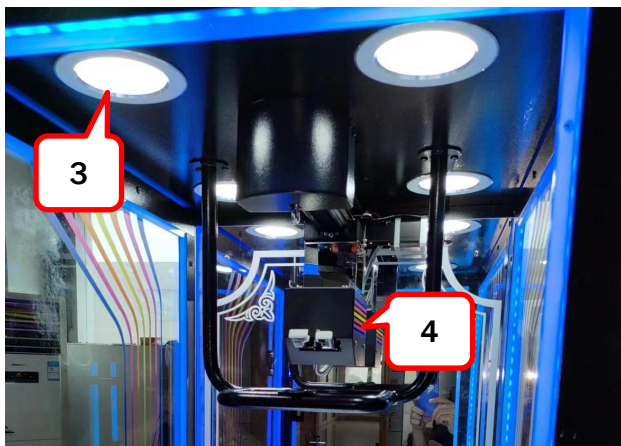
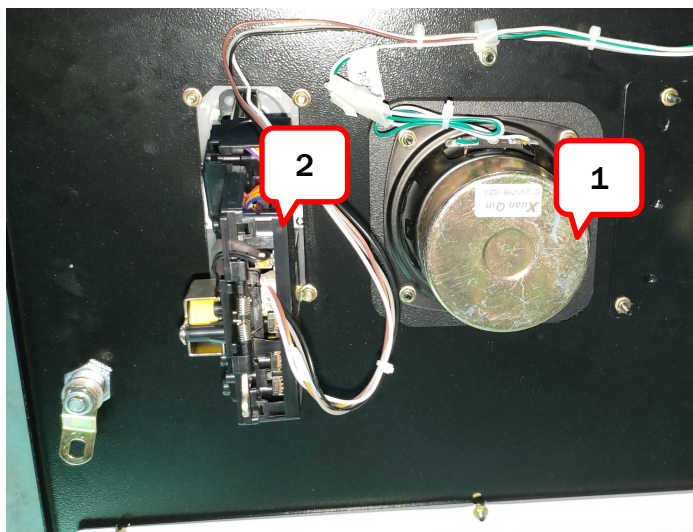


No.	Part No.	Code No.	Name	Version	Qty
1	M149-0004-00	205.2.2353.003	Marquee	V1.1	1
2	M149-0603-00	2.20.02.020092	2811 light strip	V1.1	15.74×3 in (400×3mm)
	M149-0604-00	2.21.1.000040	Light controller	V1.1	1
3	M149-0602-00	2.20.02.015021	BG5050RGB light strip	V1.1	29.52 in (750mm)
4	M149-0502-00	208.2.2306.008	Crane	V1.1	1
5	M149-0424-00	2.24.01.300025	Button	V1.1	1
6	M149-0420-00	2.20.02.015021	BG5050RGB light strip	V1.1	37.40 in (950mm)
7	M149-0427-00	2.20.02.015019	BG5050W light strip	V1.1	41.33 in (1050mm)
8	M149-0412-00	2.23.06000022	Coin mechanism	V1.1	1
9	M149-0420-00	2.20.02.015021	BG5050RGB light strip	V1.1	35.43 in (900mm)
10	M149-0420-00	2.20.02.015021	BG5050RGB light strip	V1.1	21.65×2 in (550×2mm)
11	M149-0420-00	2.20.02.015021	BG5050RGB light strip	V1.1	11.81 in (300mm)
12	M149-0419-00	2.20.03.230060	LED flat light	V1.1	1
13	M149-0420-00	2.20.02.015021	BG5050RGB light strip	V1.1	66.92 in (1700mm)
14	M149-0420-00	2.20.02.015021	BG5050RGB light strip	V1.1	110.23 in (2800mm)
15	M149-0420-00	2.20.02.015021	BG5050RGB light strip	V1.1	129.92 in (3300mm)
16	M149-0414-00	2.12.01.000033	Display	V1.1	1

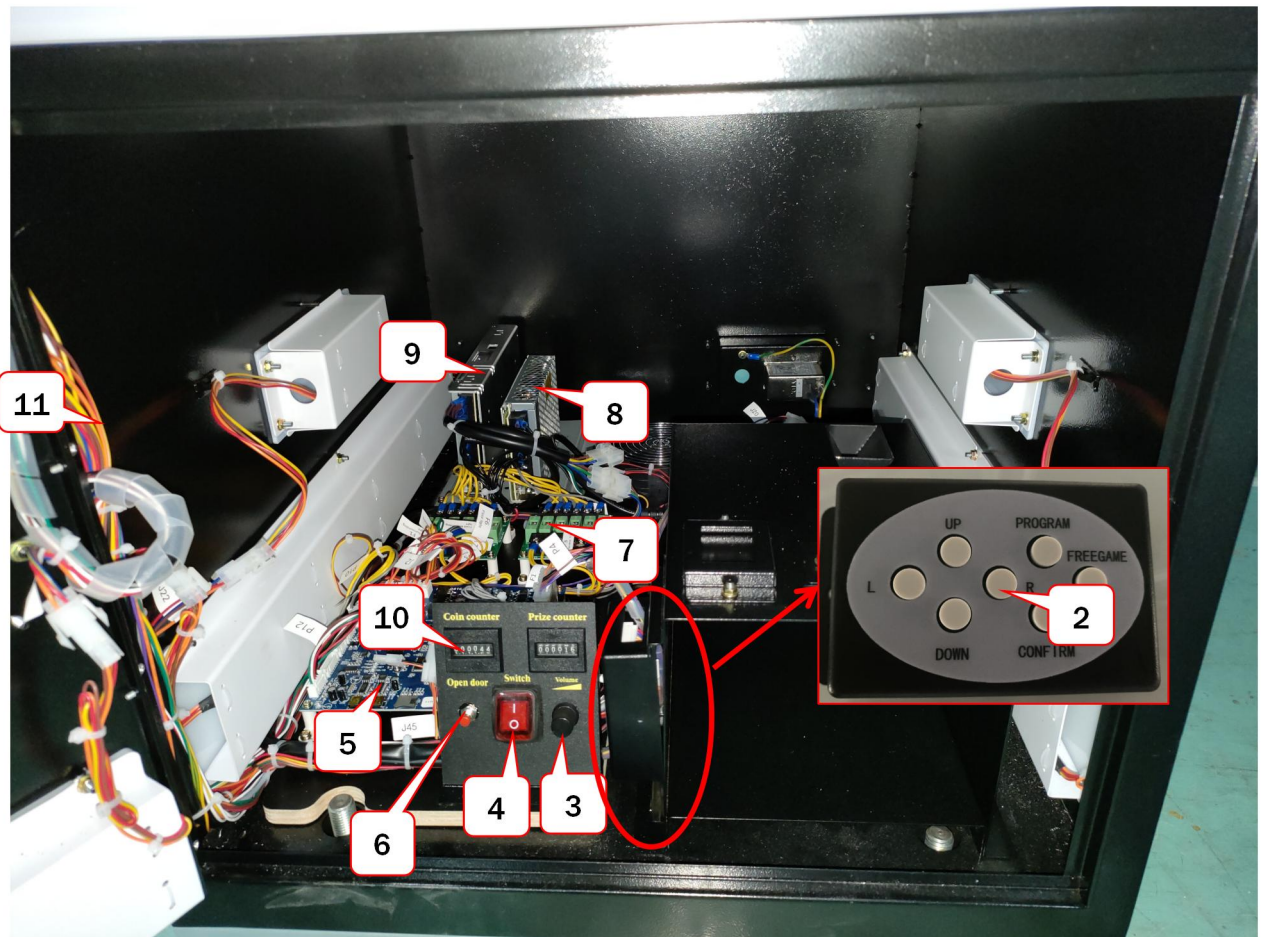
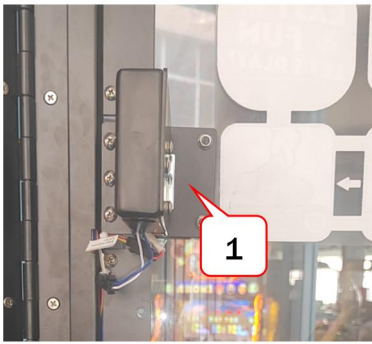


No.	Part No.	Code No.	Name	Version	Qty
1	M149-0407-00	2.16.02.000117	Power supply(12V)	V1.1	1
2	M149-0408-00	2.16.02.000121	Power supply(24V)	V1.1	1
3	M149-0402-00	2.17.14.000243	Fuse board	V1.1	2
4	M149-0504-00	208.2.2306.004	Mainboard	V1.1	1
5	M149-0409-00	2.27.02.050017	Fan	V1.1	1
	M149-0410-00	2.27.02.000010	Fan net	V1.1	2





No.	Part No.	Code No.	Name	Version	Qty
1	M149-0413-00	2.28.01.000005	Speaker	V1.1	1
2	M149-0412-00	2.23.06000022	Coin mechanism	V1.1	1
3	M149-0421-00	2.20.03.230062	Downlight	V1.1	4
4	M149-0502-00	208.2.2306.008	Crane	V1.1	1
5	M149-0503-00	208.2.2306.003	Hook sensor	V1.1	1



No.	Part No.	Code No.	Name	Version	Qty
1	M149-0415-00	2.53.00608822	Solenoid lock	V1.1	1
2	M149-0425-00	2.24.02.070013	Setting panel	V1.1	1
3	M149-0422-00	297.9.1400001	POT board	V1.1	1
	M149-0423-00	2.24.03.000001	POT knob	V1.1	1
4	M149-0411-00	2.26.01.040005	Power Sw	V1.1	1
5	M149-0504-00	208.2.2306.004	Mainboard	V1.1	1
6	M149-0428-00	2.24.02.010002	Red button	V1.1	1
7	M149-0402-00	2.17.14.000243	Fuse board	V1.1	2
8	M149-0408-00	2.16.02.000121	Power supply(24V)	V1.1	1
9	M149-0407-00	2.16.02.000117	Power supply(12V)	V1.1	1
10	M149-0403-00	2.30.00000006	Counter	V1.1	2
11	M149-0426-00	2.33.09.000491	Cable set	V1.1	1

