



IMPORTANT



Be Sure
to Read this
Manual
Before Use



www.universal-space.com

NOTE: Some portions of assembly may require additional assistance.

Operation Manual

WE ARE HERE TO ASSIST
For parts and service



Have Questions? Contact us!

UNIS SERVICE CENTER

Tel: 972-241-4263

Fax: 214-919-4918

Email: service@unisusasupportcenter.com

CONTENT

IMPORTANT SAFETY INSTRUCTIONS.....	3
1. SPECIFICATIONS	5
2. CONTENTS OF THE ACCESSORY KIT	7
3. PART NAME.....	9
4. SET UP & INSTALLATION.....	10
5. HOW TO PLAY	17
6. GAME OPTION	18
7. TROUBLE SHOOTINGS	23
8. MAINTENANCE & INSPECTION	26
9. OVERALL CONSTRUCTION	32
10. WIRING DIAGRAM	59

Thank you for purchasing **Lane Master**. We hope you enjoy the product.

This manual contains valuable information about how to operate and maintain your game machine properly and safely. It is intended for the owner and/or personnel in charge of product operation. Carefully read and understand the instructions.

If you need any help during installation and setup please utilize this manual and troubleshooting guide. If the product fails to function properly, *non-technical personnel should under no circumstance attempt to service the machine*. Contact your distributor or manufacturer for help.

Before use, please read **IMPORTANT SAFETY INSTRUCTIONS**.

IMPORTANT SAFETY INSTRUCTIONS

To ensure the safe usage of this product, carefully read and understand these instructions before operating your game.

Save these instructions for future reference.

Use this product only as described in this manual. Other uses not recommended may cause fire, electric shock or personal injury. Unplug the game from the outlet when not in use, when moving from one location to another, and before cleaning/servicing.

Explanations which require special attention are indicated by signs of warning. Depending on the potential hazardous degree, the terms: **NOTE**, **NOTICE**, and **WARNING** are used.

NOTE: A NOTE indicates useful hints or information about product usage.

NOTICE: A NOTICE indicates potential damage to product and how to avoid the problem.

WARNING: A WARNING indicates a potential for product damage or serious personal injury.

It is important to understand the meaning of the following HAZARD SIGNS before continuing:

High Voltage and Shock Hazard:

High voltage can cause electric shock.
Turn off/unplug power before servicing.



High Temperature Hazard:

This part may cause scalding.
Do not touch. Surface may be hot.



No Touching Hazard:

This part may be hot or can cause electric shock.
Do not touch.



Use the following safety guidelines to help ensure your own personal safety and to help protect your equipment and surrounding environment from potential damage.



This product is an indoor game machine. Do not install outdoors.

Avoid installing in the following places to prevent fire, electric shock, injury and/or machine malfunctioning:

- Places subject to rain/moisture, or places subject to high humidity.
- Places subject to direct sunlight, or places subject to extremely hot or cold temperatures to ensure that it is used within the specified operating range.
- Places where inflammable gas may be present or in the vicinity of highly inflammable/volatile chemicals or items that can easily catch fire.
- On unstable or sloped surfaces. The machine may topple or cause unforeseen accidents.
- Vicinity of fire exits, fire extinguishers etc that may block/prevent safety measures.

IMPORTANT NOTE:

ALL REPAIRS MUST BE DONE TO ORIGINAL MANUFACTURER SPECIFICATIONS. FAILURE TO DO SO VOID ALL WARRANTIES AND OPERATOR ASSUMES ALL RISKS.

Note: The contents of this manual may be updated without notice.

1. SPECIFICATIONS

Rated power supply: AC110V 50/60Hz

Min. Power consumption: 520W

Max. Power consumption: 580W

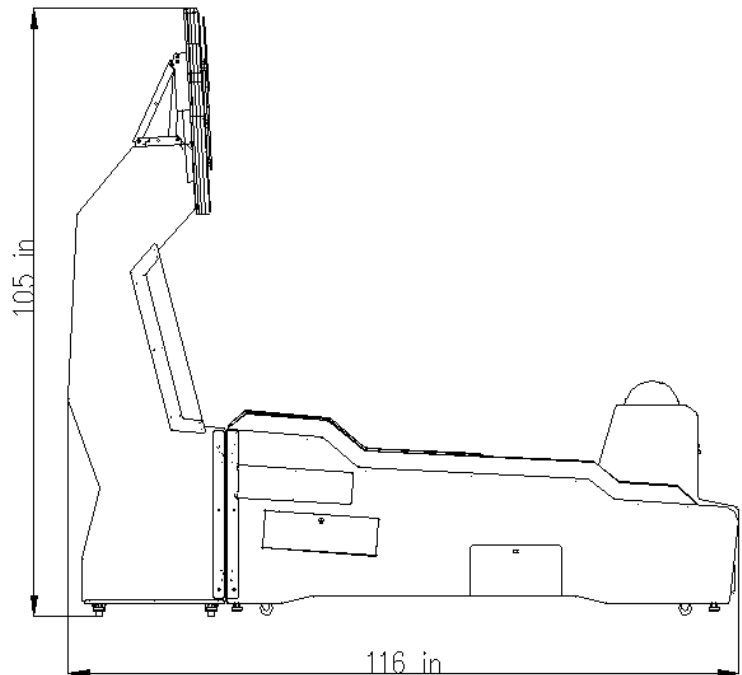
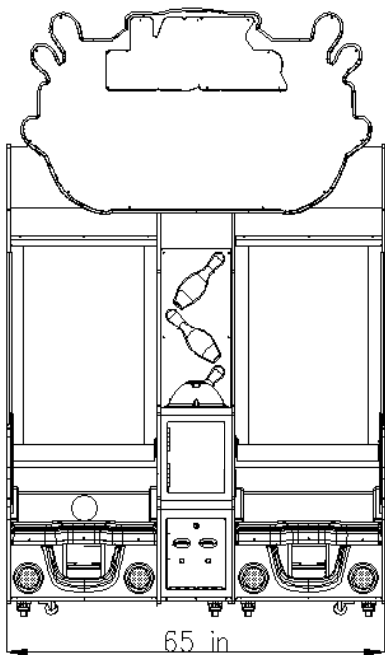
Dimension: W65×D116×H105 in

Weight: Approximately 1150 lb

Part No: L110

Model No: C-506

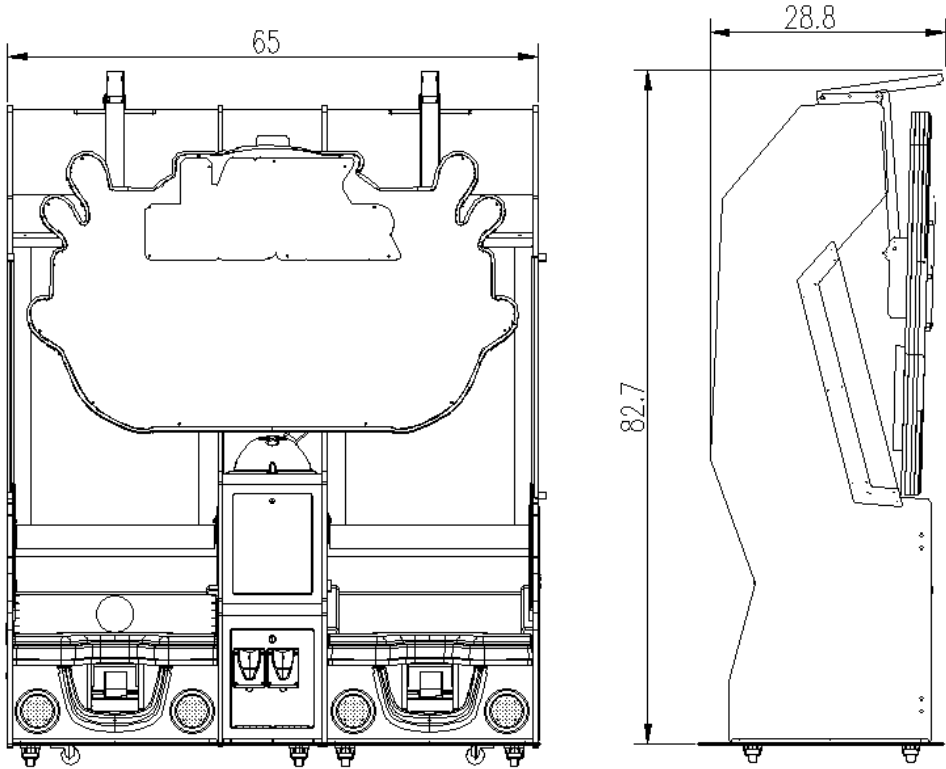
! **NOTICE:** After turning off the game, please wait at least **1** minute before restarting again.



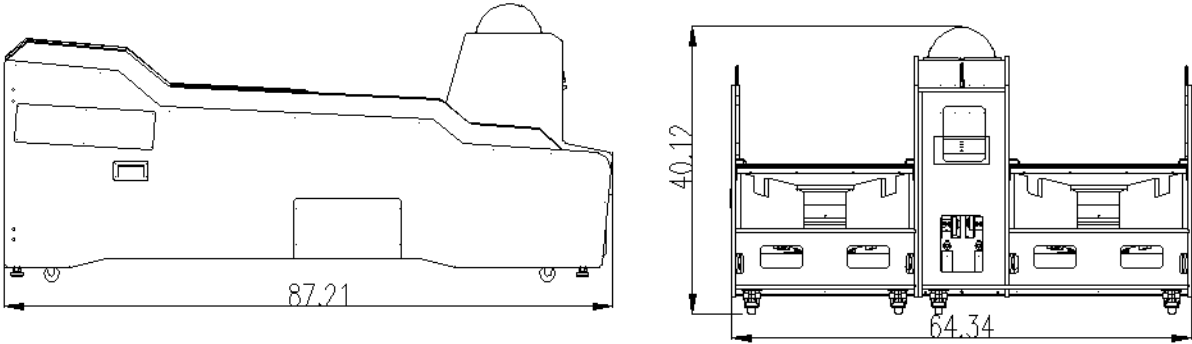
Note: Game specifications are subject to change without notice.

This machine will be divided into two parts during transportation.

Back Cabinet: W65×D28.8×H82.7 in



Ally part: W64.34×D87.21×H40.12 in








Note: Game specifications are subject to change without notice.






2. CONTENTS OF THE ACCESSORY KIT

Open the package and make sure all the items are included:

1. Following accessories

No.	Part No.	Code	Name	Picture	Qty
1	L110-902-000	25300171002	Key		8
2	L110-557-000	23301010020	Power cord		1
3	L110-903-000	41440000231	Manual		1
4	L110-558-000	41300000007	U disk (Manual)		1
5	L110-904-000	40607000012	Allen hexagon wrench		2

2. Component & hardware for installation.

No.	Part No.	Code No.	Name	Picture	Qty	Usage
1	L110-108-000	20101020145	Cross recessed hexagon screw set		8	Use for Marquee Installation
2	L110-899-000	20211605037	Fixed connected rod		2	
3	L110-131-000	20104023002	Cross recessed hexagon screw		8	Use for connecting Lane Assembly
		20113040060	C flat washer			
4	L110-132-001	20101040007	Hexagon flat round head screws		6	Use for installing the Bowling light cover
		26000053000	Black Washer			
		20113000055	C flat washer			
5	L110-878-000	20611605003	Bowling light cover		1	

NOTE: Part models are subject to change without notice.

3. Spare Parts

No.	Part No.	Code	Name	Qty	Picture
1	L110-901-000	/	Complete D&B spare kit	1	
2	L110-501-000	21503000034	Sensor SW	1	
3	L110-502-000	23405000051	AC gear motor	1	
4	L110-503-000	20117000401	Motor Coupling	1	
5	L110-504-000	21503000053	Sensor SW(receive)	2	
6	L110-505-000	21503000052	Sensor SW(send)	2	
7	L110-506-000	21901000013	Fuse (Φ5×20mm T10A 250VAC)	2	
8	L110-507-000	29710704001	Sensor board	4	
9	L110-508-001	21901000012	Fuse (Φ5×20mm T5A 250VAC)	5	
10	L110-801-001	20611605027A	Bowling ball (With Unis logo)	4	

3. PART NAME

Key Components



NOTE: The installation of the embed card system is to be complete by each individual location. (Not included)

The card reader is manufactured by Embed, smartTouch™ Insert (model: ICR-521).

4. SET UP & INSTALLATION

! NOTICE

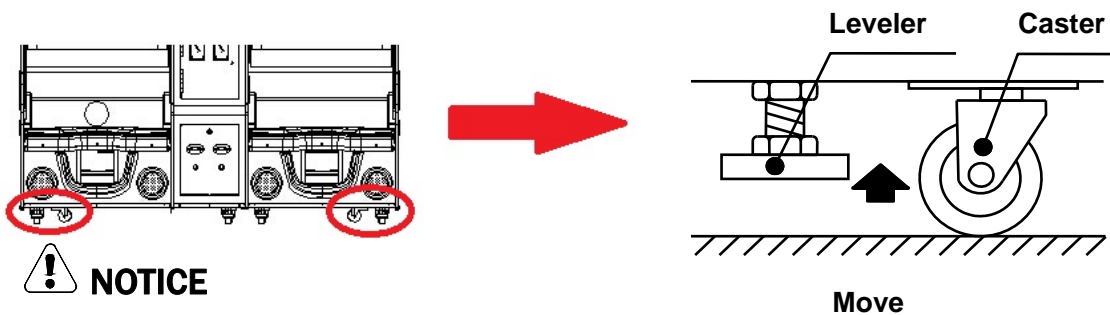
We do not recommend using power tools as they may cause damage.

! This product is an indoor game machine. Do not install outdoors.

- Refer to IMPORTANT SAFETY INSTRUCTIONS (Pg. 3) for places to avoid
- Place the unit on a dry level surface
- Ventilation openings in the back of the unit must not be obstructed by objects or by wall.

4.1 Transporting the Game

If you need to move the game, adjust the levelers back to an “up” position.

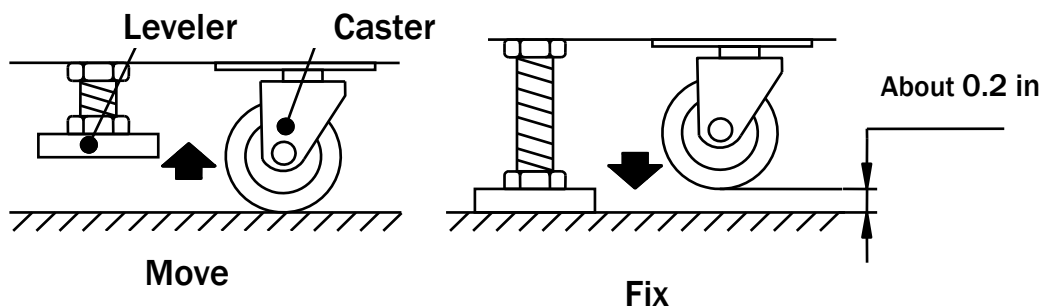


! NOTICE

- Be careful not to damage the machine during transport.
- Always unplug the game before moving.
- Keep the machine in upright position during transport.
- For longer distance transport, package the game properly to prevent damages.

4.2 Level Adjustment

Install this machine on a flat surface. Adjust levers to lift casters off the ground to level the game. If the game is installed on an unsuitable floor, it could cause game malfunction. To secure the game, adjust the Leveler down until it touches the floor, lifting the casters off the ground by 0.2 in. Repeat the same for all levelers.



! NOTICE

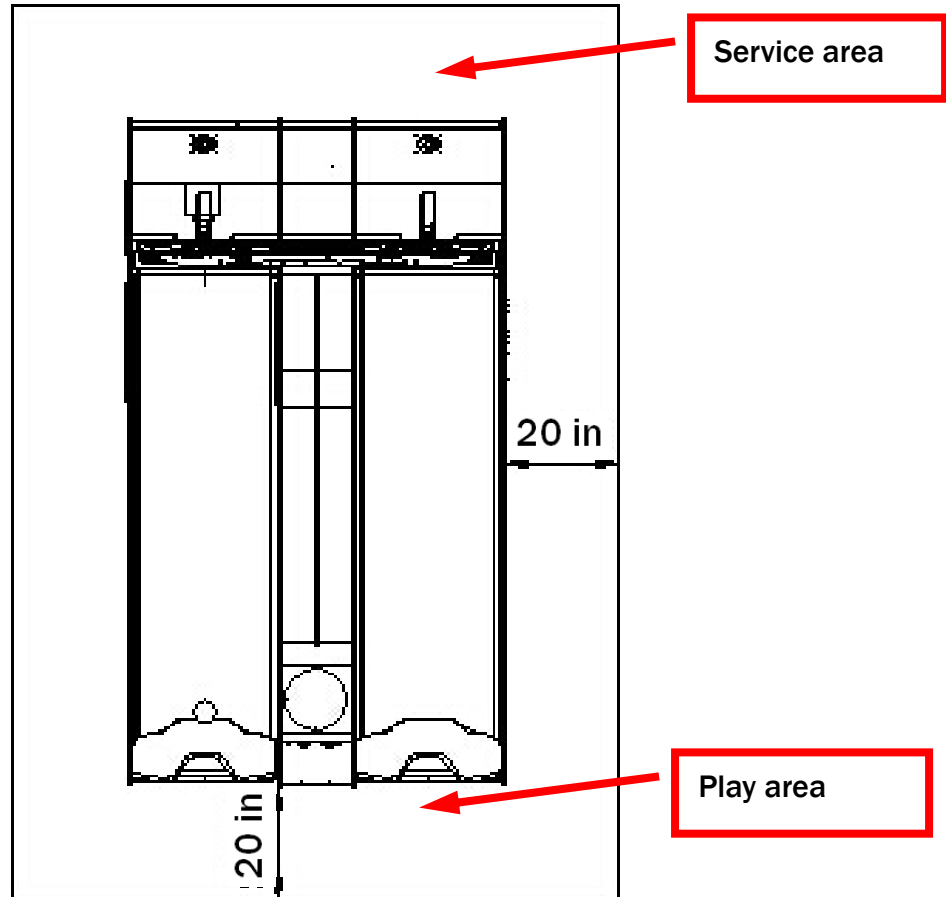
Make sure the machine is level.

4.3 Play Zone

This machine requires space for playing and for maintenance as shown below.

Leave space around the game upon installation:

Service area: 20 in






NOTICE

Your unit must be leveled to operate properly. Please assure that the cabinet levelers are in place and assure that the main cabinet and alleys are leveled. This will prevent the ball jamming.

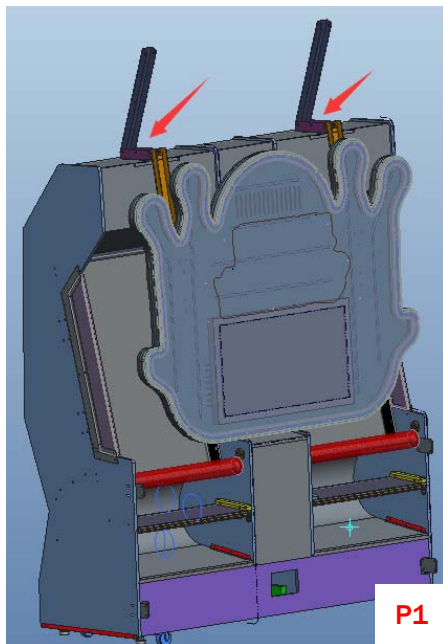
4.4 Machine Installation

Before processing with assembly assure you have the following tools.

No.	Name	Picture	Use for
1	Phillips screwdriver		For Marquee Installation & Connect Lane Assembly
2	Wrench		
3	Allen hexagon wrenches		Connect Lane Assembly & Display Assembly

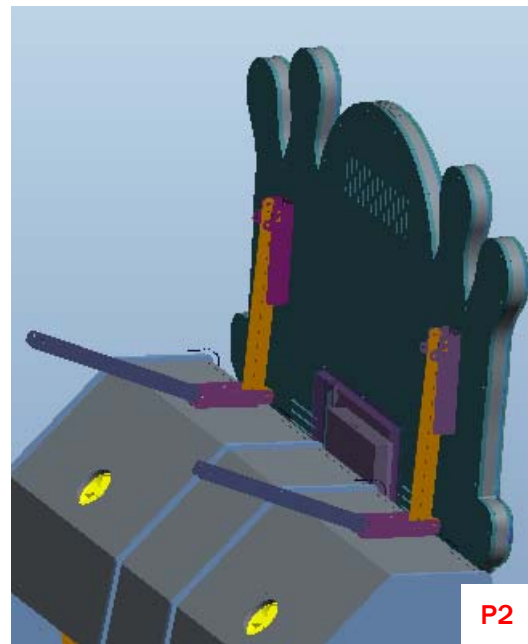
4.4.1 Marquee Installation

Step 1 Lift the marquee into place and attach to the bracket. Install hardware where indicated by the red arrows.





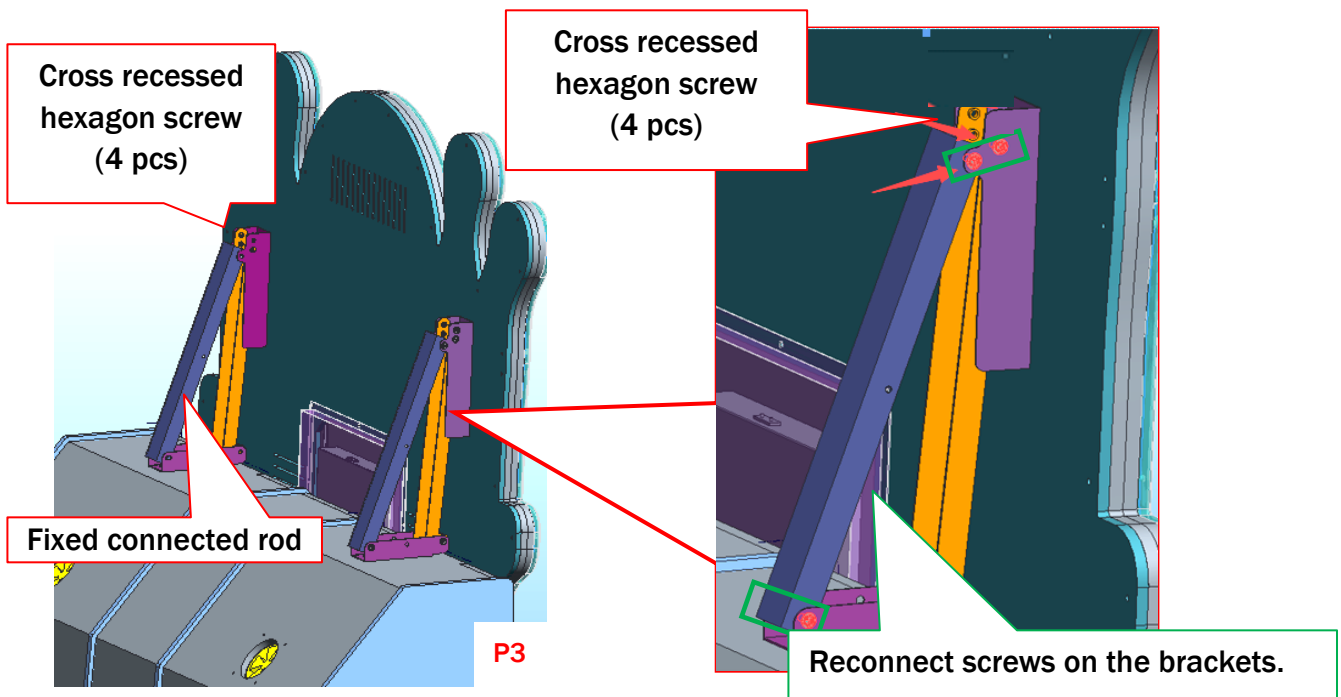
Step 2 Attach support bracket.

Note: It is recommended to have the minimum of two staff members available for this installation.




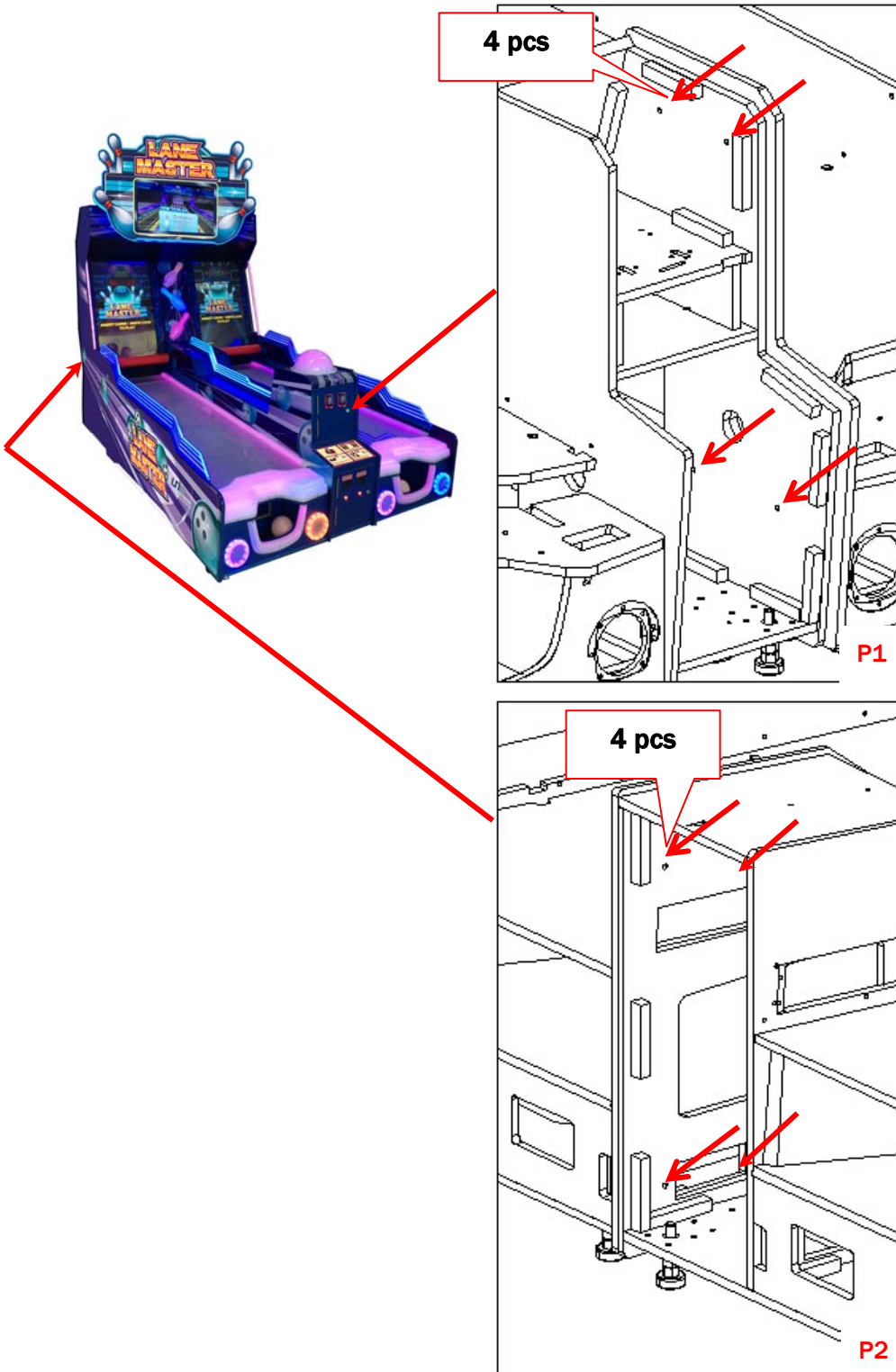
Step 3 Install the bolts as indicated in the green area.

No.	Part No.	Code No.	Name	Picture	Qty
1	L110-108-000	20101020145	Cross recessed hexagon screw set		8
2	L110-899-000	20211605037	Fixed connected rod		2



4.4.2 Connect Lane Assembly

No.	Part No.	Code No.	Name	Picture	Qty
1	L110-131-000	20104023002	Cross recessed hexagon screw		8
		20113040060	C flat washer		8



Step 1



Open the coin door and the ticket door to bolt the lanes together utilizing the hardware indicated by the red arrows.

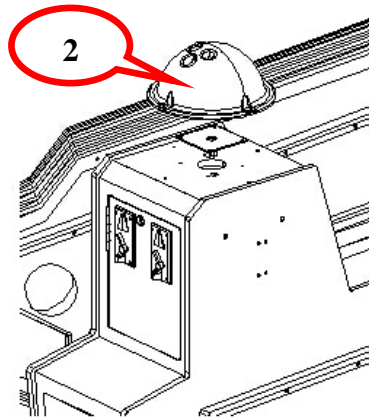
Step 2

Open the back plate and attach the screws in the red arrow area.

4.4.3 Install the Bowling light cover

Install Bowling light cover with four screws.

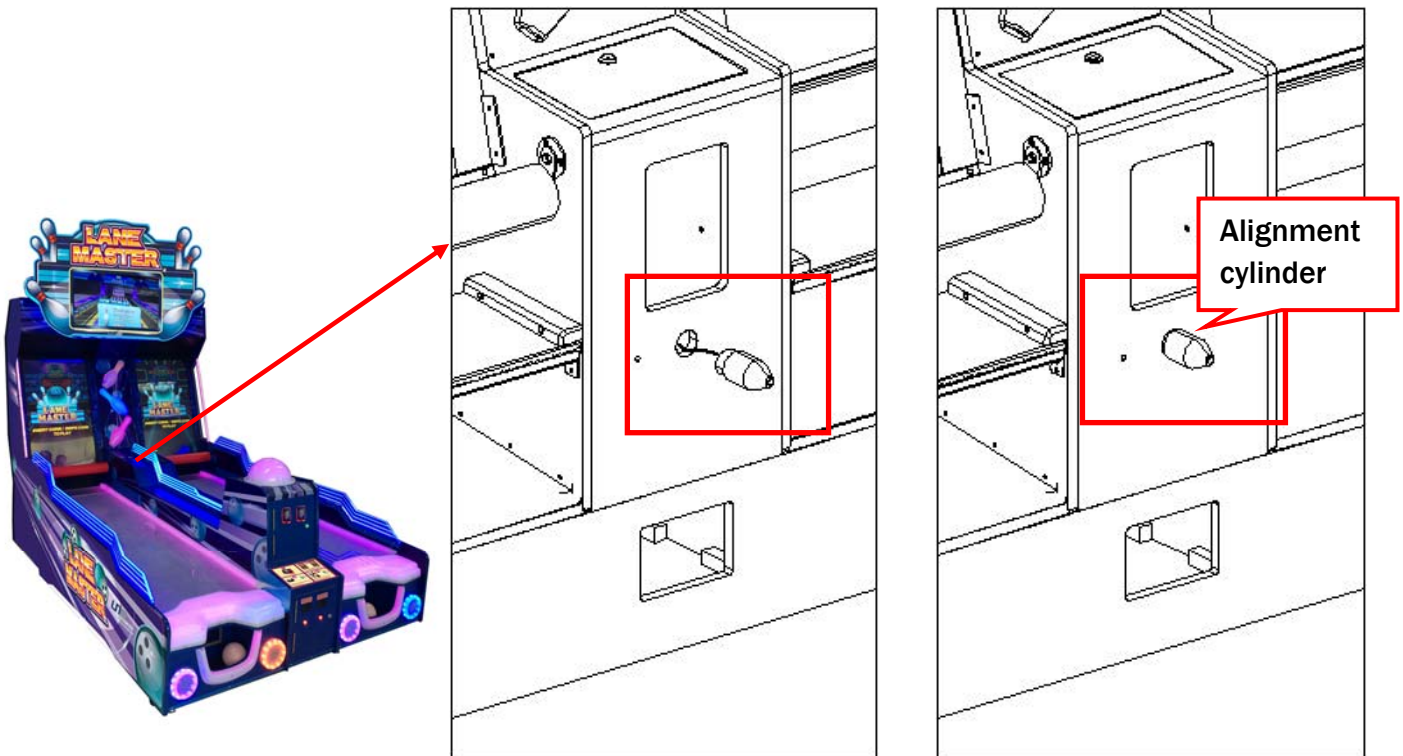
No.	Part No.	Code No.	Name	Picture	Qty
1	L110-132-001	20101040007	Hexagon flat round head screws		4
		26000053000	Black Washer		
		20113000055	C flat washer		
2	L110-878-000	20611605003	Bowling light cover		1



4.4.4 Connect Lane Assembly & Display Assembly

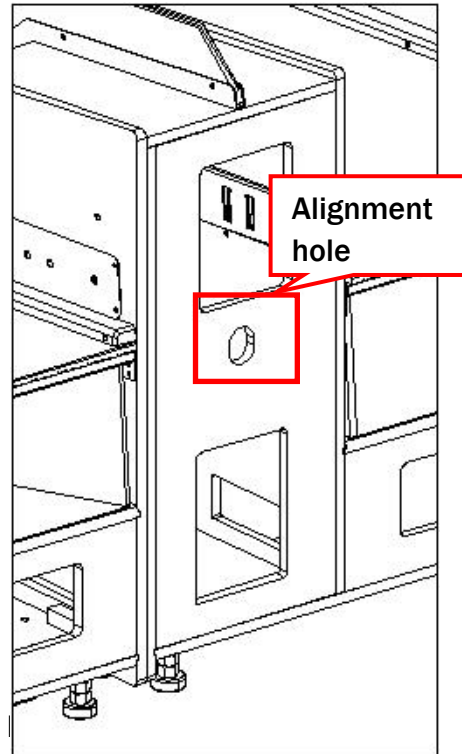
Step 1 Place the Lane Assembly in front of the display assembly for alignment.

Step 2 Plug in the alignment cylinder as picture.



Front of the Display Assembly

Step 3 Align the back cabinet with the lanes.



Step 4 Use the Allen hexagon wrench (Provided) to lock the back box with the lanes as indicated.



Step 5 Lower leg levelers into place for initial leveling of the back box and the lanes if the floor is uneven.

Step 6 Add ball to each lane and apply power.

Step 7 Once game is powered on and operational place it in position. Utilizing the leg levelers to assure the back box and lanes are level with each other.

5. HOW TO PLAY

- 5.1 Insert card to play.
- 5.2 For competition, insert card to activate each lane.
- 5.3 Roll the ball down the lane to hit the pins.
- 5.4 Enjoy your entertainment bowling experience!

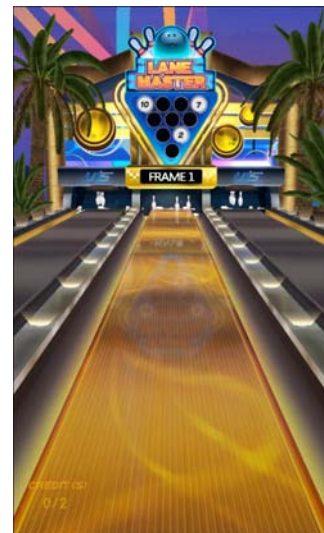
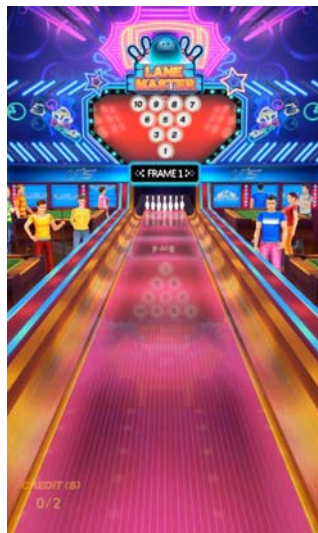
1
INSERT CARD TO PLAY
Insert card to play.

2
5 SECONDS TO JOIN VS 5 SECONDS TO JOIN
For competition, insert card to activate each lane.

3
Roll the ball down the lane to hit the pins.

4
Enjoy your entertainment bowling experience!

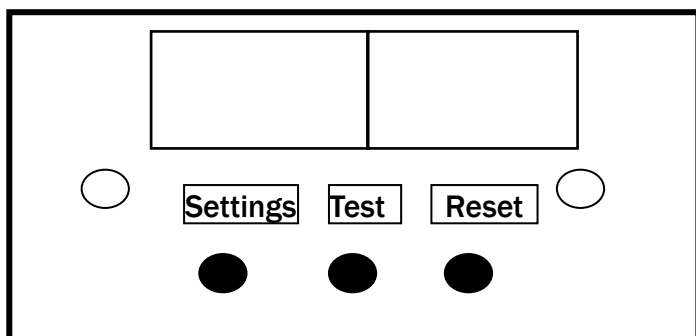
5.5 Game scenes



NOTE: The installation of the embed card system is to be complete by each individual location. (Not included)

6. GAME OPTION

6.1 Adjustment button instruction



Open the coin door and there is a meter panel. Press Settings button to enter into the setting menu.

6.2 Setting menu

6.2.1 Main menu

Basic Setting
Customized Setting
Input Test
Output Test
Game Reset
Date/Time Setting
Language/语言
About This Game
Bookkeeping
Daily Record
Back to game

6.2.2 Basic Setting

Free Play	OFF/ON
Tickets Out	OFF/ON
Out of Tickets	Store in memory/Call attendant
Demo Music	OFF/ON
Memory Save	OFF/ON
Volume	1-10(7)
Coins Per Game	1-10(1)
Pay Mode	coins/card/"Insert coins/swipe card"
Go Back & Save	
Back	

6.2.3 Customized Setting

Regulation Mode	OFF/ON
Link Mode	OFF/ON
Alternating Ball Color	OFF/ON
Number of Games	Frame 1- 10(3)
Fixed Ticket Mode	OFF/ON
Divided By 2	OFF/ON
Fixed Ticket	0~300(6)
Score per Ticket	1-300(3)
Multiplayer Join Time	5-10-15-20
Number Of Strike(s) To Enter the Golden Pin Stage	1-3(1)
Golden Pin Stage	OFF/ON

Golden Pins Set	10~100(100)
Each Golden Pin Score	1-10(1)
Bumper Version*	OFF/ON
Strike Zone Game Level	Easy/Normal/Master
No Ball Found	OFF/ON
Go Back & Save	
Back	

Bumper Version*: Eliminates gutter balls.

6.2.4 Input Test

1P Coin	OFF/ON
1P Lane Sensor	OFF/ON
1P Ball Detect	OFF/ON
1P Ball Signal	OFF/ON
1P Ball Location	0/100
1P Ball Speed	0/100
1P Ball Direction	0/180
Detection Time for 1P Ball to Pass Sensor1	0
Detection Time for 1P Ball to Pass Sensor2	0
Detection Time for 1P Ball to Pass Sensor3	0
Detection Time for 1P Ball to Pass Sensor4	0
Detection Time for 1P Ball to Pass Sensor5	0
1P Infrared1	OFF/ON
1P Infrared2	OFF/ON
1P Infrared3	OFF/ON
1P Infrared4	OFF/ON
1P Infrared5	OFF/ON
1P Ticket Error	OFF/ON
1P Send Ball Error	OFF/ON
2P Coin	OFF/ON
2P Lane Sensor	OFF/ON
2P Ball Detect	OFF/ON
2P Ball Signal	OFF/ON
2P Ball Location	0-100
2P Ball Speed	0-100
2P Ball Direction	0-180
Detection Time for 2P Ball to Pass Sensor1	0
Detection Time for 2P Ball to Pass Sensor2	0
Detection Time for 2P Ball to Pass Sensor3	0
Detection Time for 2P Ball to Pass Sensor4	0
Detection Time for 2P Ball to Pass Sensor5	0

2P Infrared1	OFF/ON
2P Infrared2	OFF/ON
2P Infrared3	OFF/ON
2P Infrared4	OFF/ON
2P Infrared5	OFF/ON
2P Ticket Error	OFF/ON
2P Send Ball Error	OFF/ON
Back	

6.2.5 Output Test

1P Ball Release Test
2P Ball Release Test
1P Ticket Test
2P Ticket Test
Back

6.2.6 Game Reset

Factory Restore	YES/NO
Reset Basic Setting	YES/NO
Reset Customized Setting	YES/NO
Clear All Records	YES/NO
Clear Owed Ticket	YES/NO
Clear Unused Coin	YES/NO
Back	

6.2.7 Date/Time Setting

Year	2010-2100
Month	1-12
Day	1-31
Hour(24)	0-23
Minute	0-59
Second	0-59
Go Back & Save	
Back	

6.2.8 About This Game

Press the Test Button to Go Back
CPU
Motherboard
Disk Drive
Memory
Display Adapter
Monitor
Screen
Version: Lane Master V1.10

6.2.9 Bookkeeping

Player1	Coins	Tickets	Payout
1	0	0	0.00
Back			

6.2.10 Daily Record

Date	Weekday	RunTime	Coins	Tickets	Payout
2014-06-06	Fri	00:01	0	0	0.00
Prev. Page					
Next Page					
Clear					
Back					

6.3 Display Advertisement Operation

In Version 1.05 or higher version for Lane Master, operator can put advertisement to the machine and display on the top monitor.

Please note that the advertisement video format has to be **AVI**.

Please prepare a **mouse**, a **keyboard** and a **memory stick**.



Step 1

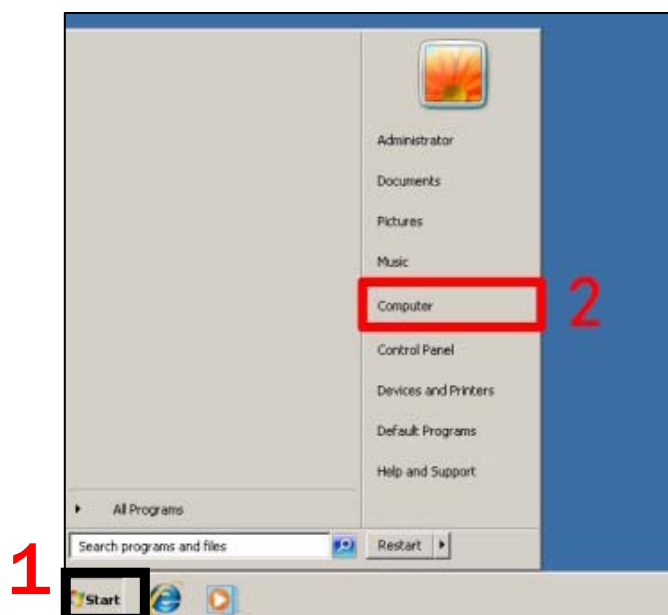
Power down the machine. Plug in a mouse and a keyboard. Power up the machine. Insert a memory stick after the pc shows system interface.



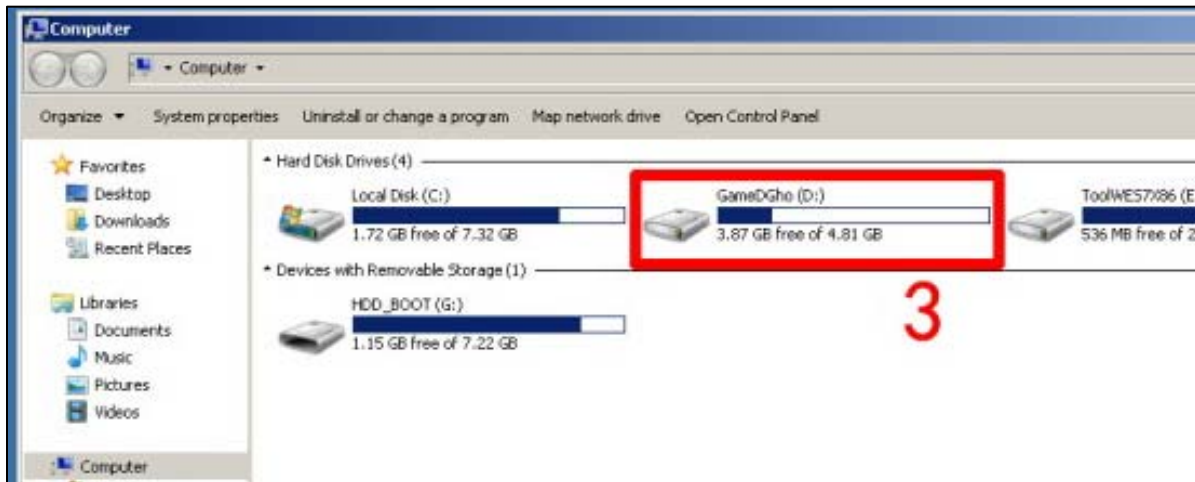
Note: Please do not put any ghost system file to the memory stick and do not insert the memory stick before powering up the machine. This may cause damage to the system.

Step 2

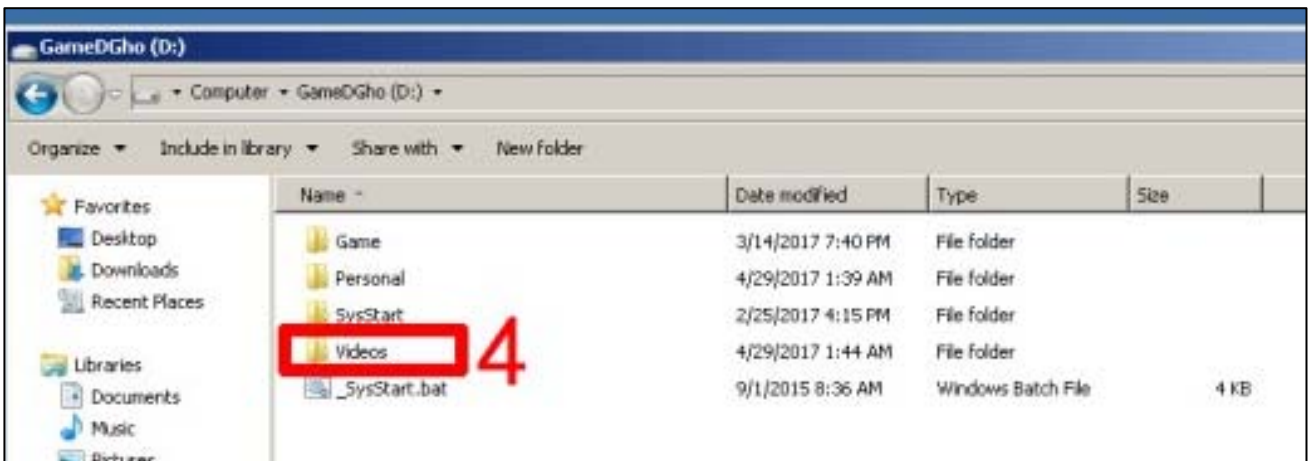
1&2. Click "Start"  and choose "Computer" 



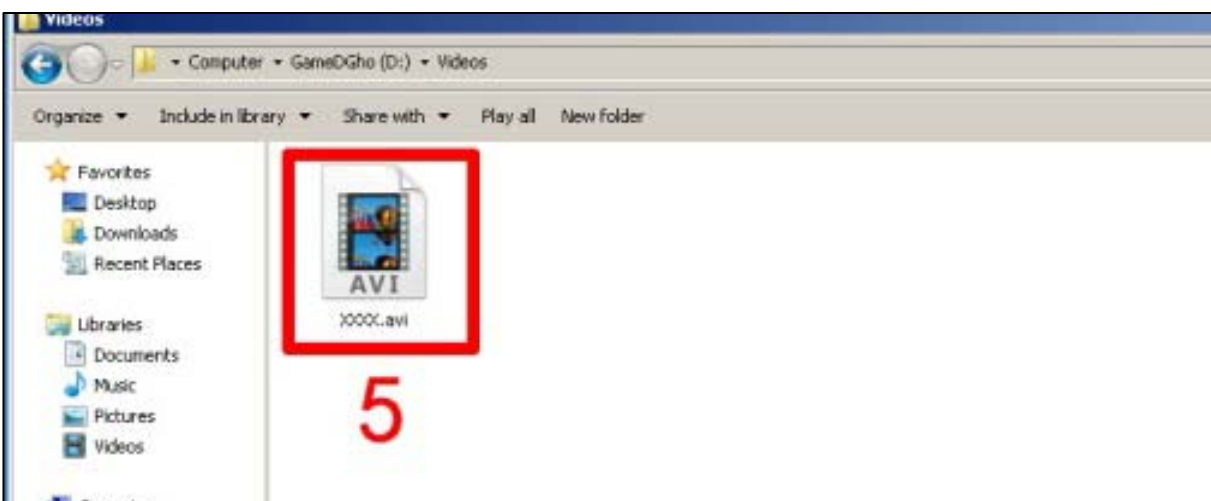
3. Click "GameDGho"  3.87 GB free of 4.81 GB



4. Click "Videos"  Videos



5. Copy the AVI file from memory stick into "Videos" folder.



Step 3

Unplug the memory stick. Power off and restart the machine. The advertisement video will be shown on the top screen. If the video format is not AVI. It will show an error as below.



7. TROUBLESHOOTING


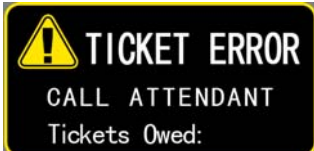

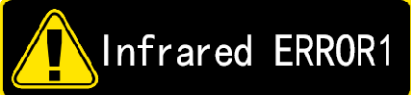
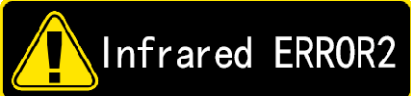
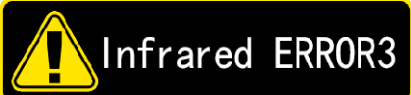
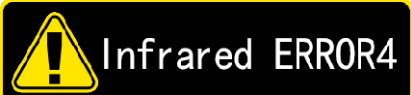
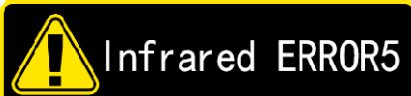

7.1 Common Problem



Please confirm that all connectors fit tightly.

Symptom	Possible Cause	Recommended action
Game will not start	Frame assembly connector is loose.	Check connector.
	Frame assembly fault	Contact with UNIS Service.
Power off	Circuit protector make power SW in off state.	Turn on power SW again. If appeared again and again, machine has anomaly. Please contact with UNIS Service.
Card reader not working	The connector is loose.	Check connector.
	Card reader fault.	Check with card reader manufacturer.
No ticket dispensing	Out of ticket.	Add ticket and press reset button
	Ticket jamming.	Remove the jammed tickets and press reset button.
	The connector is loose.	Plug the connector tightly.
No sound	Low volume	Raise the volume.
	Connector loose.	Check connector.
	Speaker fault.	Check speaker.
	POT installation error.	Install POT correctly.
	POT fault.	Change POT.
	Audio cable problem.	Reconnect the audio cable or change it.
	PC crash.	Restart or system recovery.
Display black screen	Driver problem	Restart the audio driver.
	Check connectors.	Plug in connector tightly
	Display fault.	Utilize another source such as a PC to verify if the display is operational.
Display blue screen	RAM is loose.	Remove and reinsert RAM.
	PC power cord is loose	Check PC power cord whether is loose.
	VGA signal cable is loose.	Check VGA cable
	PC video card is loose.	Reseat video card.
	"0X000000A" code appears. Conflict between computer drive and software.	Contact service

Note: After replacing component from pc (except for RAM), and replacing monitor, the game should be recovered again with the memory stick attached to the machine.

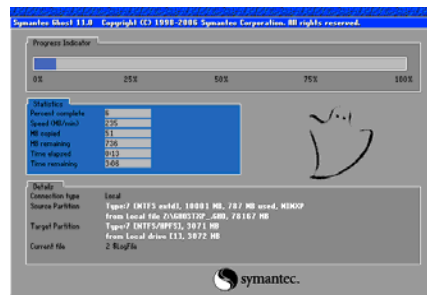
If you see following error signs showing on the display, please try the recommended action.

Display	Possible Cause	Recommended action	
	The connection part of the IO board and PC are loose.	Check and reconnect the loose ports of the PC or IO board.	
	USB cable quality problem	Change the USB cable after checking the connection between IO board and PC.	
	USB cable became loose during transportation.	Check and reconnect the loose cables of the PC or IO board.	
	IO board is faulty.	Reboot the game after checking USB connection and USB cable problem, if the problem remains unresolved, please call the service department for assistance.	
	Out of ticket.	Refill ticket	
	Loose connection of the ticket dispenser's cables.	Check and reconnect the loose cables to the ticket dispenser.	
	Ticket dispenser is faulty.	Change the ticket dispenser.	
	Ticket jam.	Remove jammed tickets.	
	Out of ticket.	Refill tickets and press reset button.	
    	Loose connection to the sensor's cables.	Check and reconnect the loose cables of sensor.	
	Sensor problem.	Change the sensor after checking the connection.	
	Wrong format for the video.	Please note that the advertisement video format has to be AVI .	
			

Display	Possible Cause	Recommended action
	Loose connection of the send ball assembly.	Check and reconnect the loose cables of send ball assembly.
	Send ball assembly is broken.	Check the connection, if the problem remains unresolved, please call the service department for assistance.
	No ball found inside the lane.	Roll a ball to the lane.
	Sensor problem.	Change the sensor after checking the connection.

7.2 System Recovery Operation (NOTE: Do not disconnect power during this process.)

1. Turn off the game. Remove recovery USB from the header. (Note: This process may take up to 60 minutes) Insert the memory stick into the USB port at the back of the computer.
2. Restart PC to enter the system recovery screen as shown.



3. The game will automatically start recovery.
4. Once system recovery is partially finished (as shown below), and the ICON appears, remove the USB flash drive from the computer. The game will continue the install process.

OK to remove the USB.



5. Assure that the recovery USB has been properly secured for future use.



WARNING: the USB flash drive should only be used to fix software errors. Using it for other purposes may cause unexpected results and damages.

8. MAINTENANCE & INSPECTION

8.1 Safety Check

Check the points listed before operating the machine. These checks are necessary for safe machine operation:

1. Test game before operation each day.
2. Conduct monthly routine checks of game components to ensure good working condition
3. Check the machine regularly for dust and clean when necessary.

Note: Parts and components require preventative maintenance to maintain proper operation.

8.2 Handling Precautions

When installing or inspecting the machine, be very careful of the following points and pay attention to ensure that the player can enjoy the game safely.

Non-compliance with the following points or inappropriate handling running counter to the cautionary matters herein stated can cause personal injury or damage to the machine

 **NOTICE**

We do not recommend using power tools as they may cause damage.

8.3 Lane Maintenance

8.3.1 Cleaning

Utilize a non abrasive cleanser to clean the lane. Avoid excess water or chemicals.



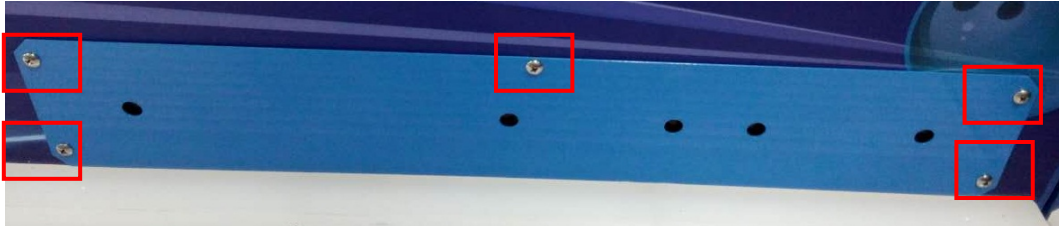
Sensor

Use the key to open the drawers on two sides. Use the Debris removal stick in the drawer to clean debris.



8.3.2 Disassemble the lane sensor

Loosen 5 screws to remove the sensor cover.



Sensors can be changed individually or you can remove the screws at two sides to take out the whole sensor mounting plate to change the sensor.



Note: Please remove the cable ties before servicing this part and retie them after servicing to avoid damage to the connection.

8.4 Disassemble the lane front plastic

Loosen 4 screws on the wood board under the front plastic



Lift up the front plastic. Unplug the plug before take out the front plastic



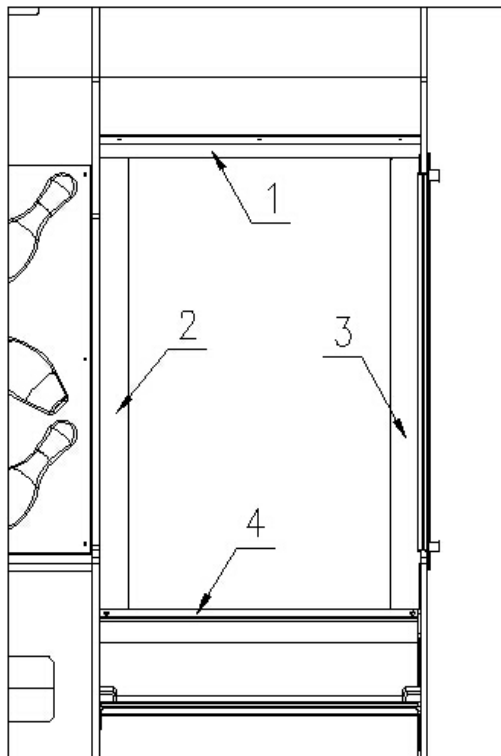
If liquid poured on the front plastic, there is a hose under the front plastic which can drain the liquid out of the cabinet.



8.5 Display maintenance

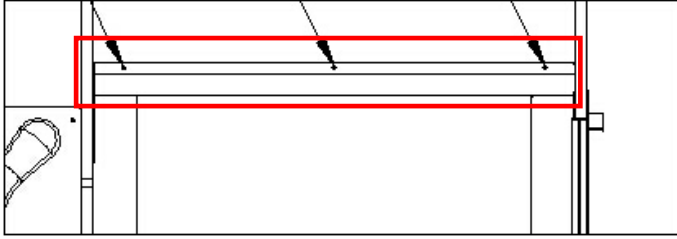
8.5.1 Disassemble displays

Loosen 4 metal plates in order 1-2-3-4

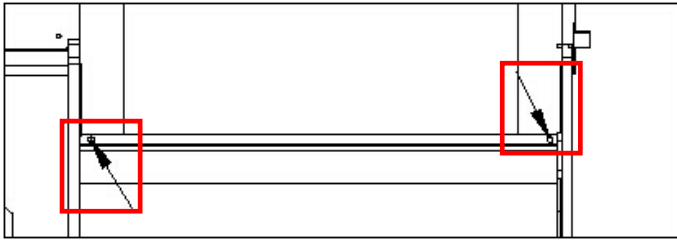


NOTE: PLEASE UTILIZE ASSISTANCE FOR THIS PROCEDURE.

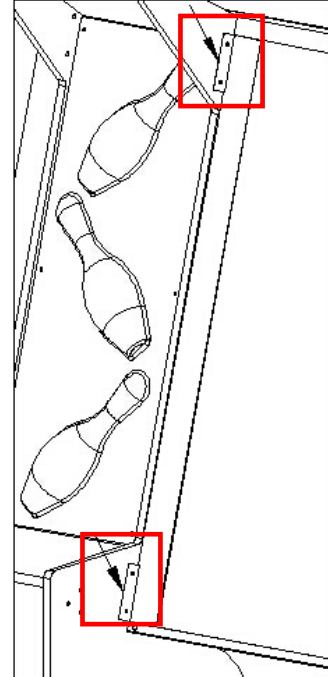
Metal plate 1 (3 screws)



Metal plate 4 (2 screws)



Metal plate 2&3 (2 screws)



Note: Please hold the plastic of the display when removing metal plate 4 or it may drop down. Please reassemble the display part in reversed order. (4-3-2-1)

(This process requires assistance.)

8.5.2 Disassemble marquee display

Loose all the screws on the surface of the marquee plastic, and make sure there is enough space for placing the plastic, avoid any scratch to the plastic.




8.5.3 Cleaning display

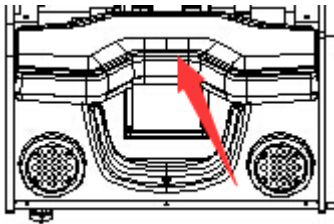
After disassemble the display part, clean the display with approved cleaning product.

8.5.4 Disassemble Lane Plate

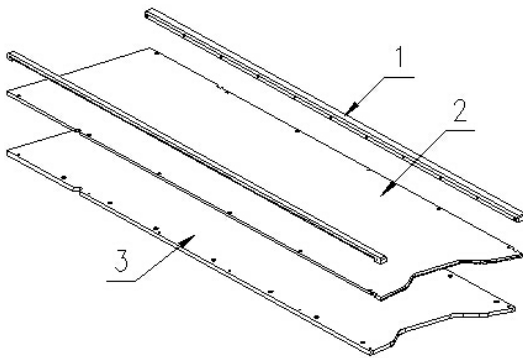
Before processing with disassembly assure you have the following tools.

No.	Name	Picture
1	Phillips screwdriver	

1) Remove the bowling light cover.



2) Remove parts below in proper order.



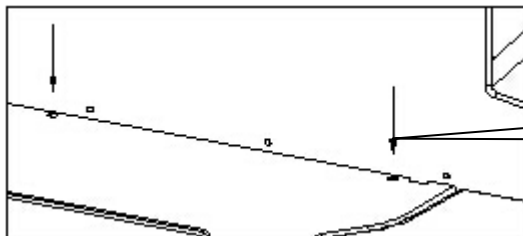
No.	Part No.	Name
1	L110-883-000	Lane side light plastic
2	L110-892-000	Lane clear plate
3	L110-248-000	Lane board

2-1) Remove lane side light plastic.



Remove screws on lane side light plastic.

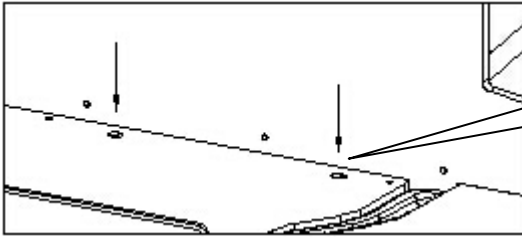
2-2) Remove lane clear plate.



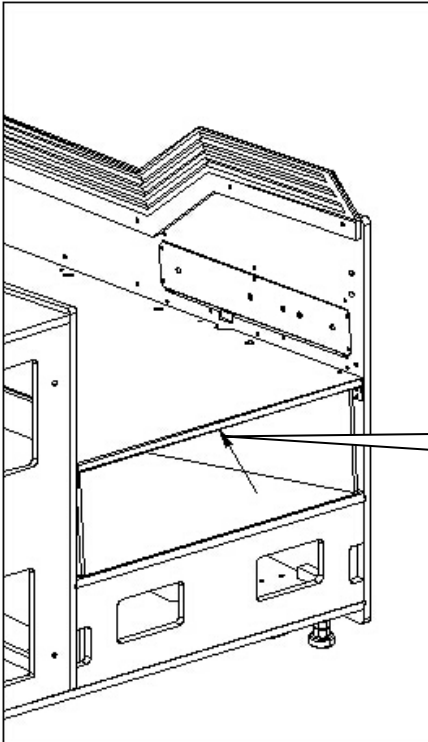
Remove screws on lane clear plate.

Note: It is suggested to take off flexible side light before disassembling the lane clear plate.

2-3) Remove lane board.



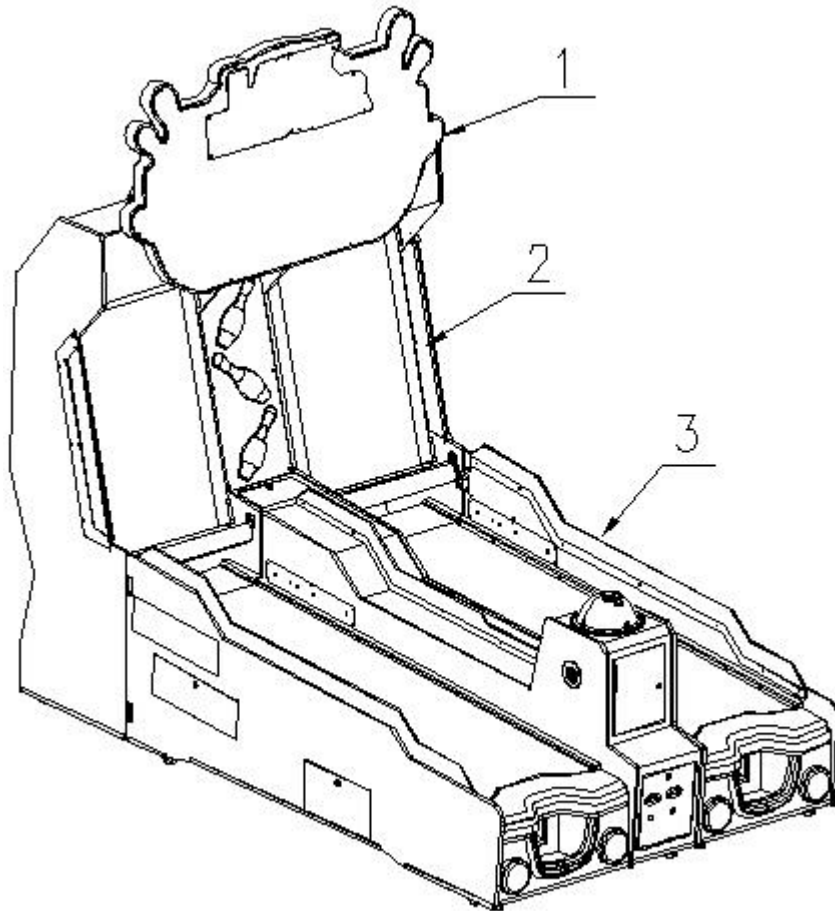
Remove screws on surface on lane board.



Remove screws on the metal.

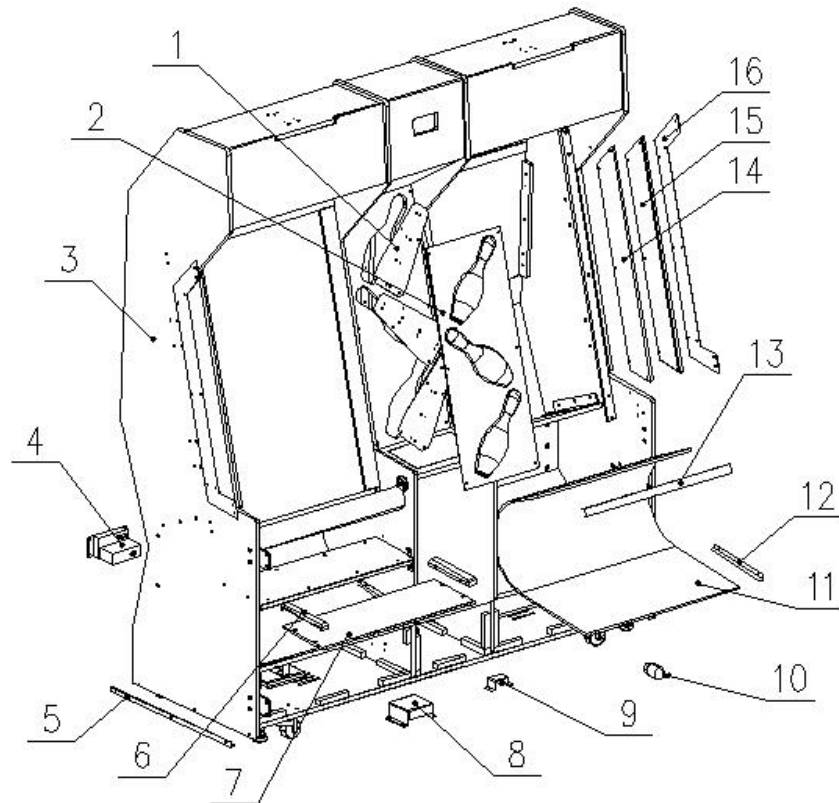
9. OVERALL CONSTRUCTION

9.1 General Assembly



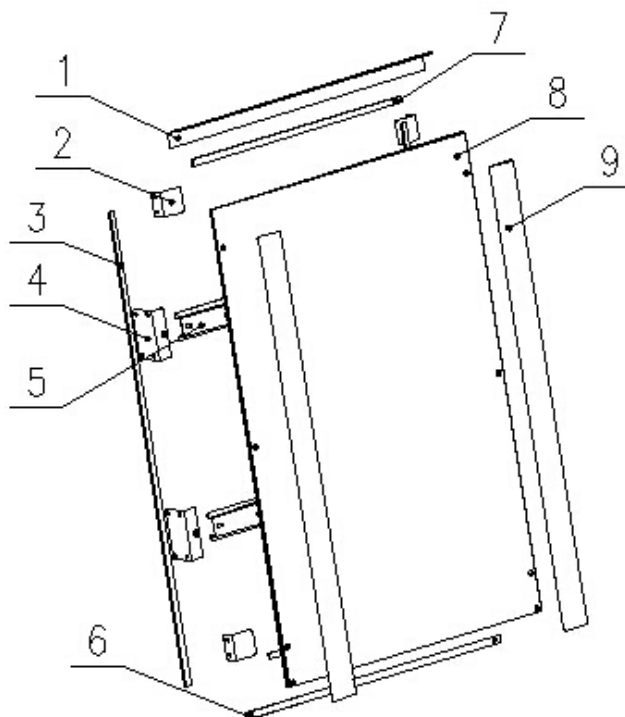
No.	Part No.	Code No.	Name	Qty
1	L110-010-000	29911605D009	Marquee Assy.	1
	L110-149-000	20104020002	Cross recessed hexagon screw kit	10
2	L110-001-000	29911605D001	Display Assy.	1
3	L110-003-000	29911605D003	Lane Assy.	1

9.2 Display Assy.

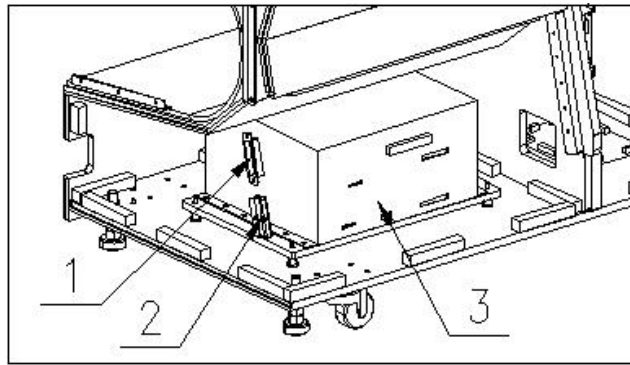


No.	Part No.	Code No.	Name	Qty
1	L110-832-000	20611605028	Light plastic fixed plate	3
	L110-103-000	20101000036	Cross recessed pan head screw set	12
2	L110-843-000	20611605002	Light plate	1
	L110-121-000	20101010006	Hexagon flat round head screws	6
3	L110-002-000	29911605D002	Display Wood frame Assy.	1
4	L110-314-000	26000042000A	Power box assy.	1
	L110-103-000	20101000036	Cross recessed pan head screw set	4
5	L110-824-000	20211605009	Side angle bead	2
	L110-103-000	20101000036	Cross recessed pan head screw set	6
6	L110-837-000	20611605001	Lane side light plastic 2	4
	L110-113-000	20101000110	Cross recessed pan head screw set	8
7	L110-845-000	20611605043	Lane rear board	2
	L110-112-000	20101102007	Cross recessed sunk head screw	4
8	L110-842-000	20611605029	Protect cover	1
	L110-103-000	20101000036	Cross recessed pan head screw set	4
9	L110-841-000	20211605043	Power fixed plate	2
	L110-122-000	20102000012	Hexagon flange nut	8
10	L110-321-000	20611605D004	Alignment cylinder	1
	L110-322-000	20611605D005	Rope	1
	L110-139-000	20101020035	Cross recessed pan head screw set	2
	L110-116-000	20113000055	C flat washer	2
11	L110-834-000	20611605011	Damping foam 1	2

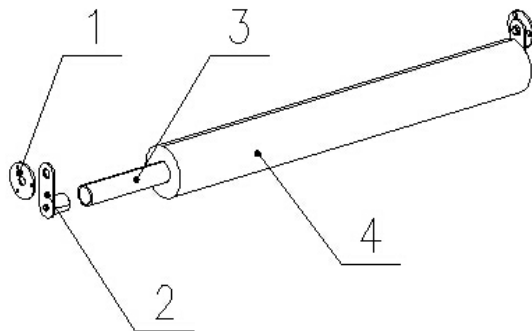
No.	Part No.	Code No.	Name	Qty
12	L110-836-000	20211605017	Foam pressing plate	4
13	L110-835-000	20211605016	Damping foam fixed bar	2
	L110-103-000	20101000036	Cross recessed pan head screw set	8
14	L110-831-000	20611605016	Side light board	2
	L110-119-000	20101108019	Hexagon flat round head screws	8
15	L110-833-000	20611605017	Side light board 2	2
	L110-120-000	20102040036	Cap nut	8
16	L110-846-000	20211605071	Side light cover	1
	L110-847-000	20211605072	Side light cover 2	1
	L110-118-000	20101100161	Hexagon flat round head screws	8



No.	Part No.	Code No.	Name	Qty
1	L110-823-000	20211605008A	Display horizontal cover	2
	L110-121-000	20101010006	Hexagon flat round head screws	6
2	L110-838-000	20211605018	Display fixed plate	8
	L110-103-000	20101000036	Cross recessed pan head screw set	16
3	L110-839-000	20611605012	Display vertical bar	4
4	L110-822-000	20211605007	Display fixed bracket	8
	L110-117-000	20101000147	Cross recessed pan head screw set	48
5	L110-821-000	20211605006	Display mounting bar	4
6	L110-828-000	20211605011A	Display down cover	2
	L110-116-000	20113000055	C flat washer	16
	L110-103-000	20101000036	Cross recessed pan head screw set	16
7	L110-840-000	20611605013	Display horizontal bar	4
8	L110-844-000	20611605019	Display cover	2
9	L110-830-000	20211605013	Display vertical cover	4
	L110-103-000	20101000036	Cross recessed pan head screw set	6

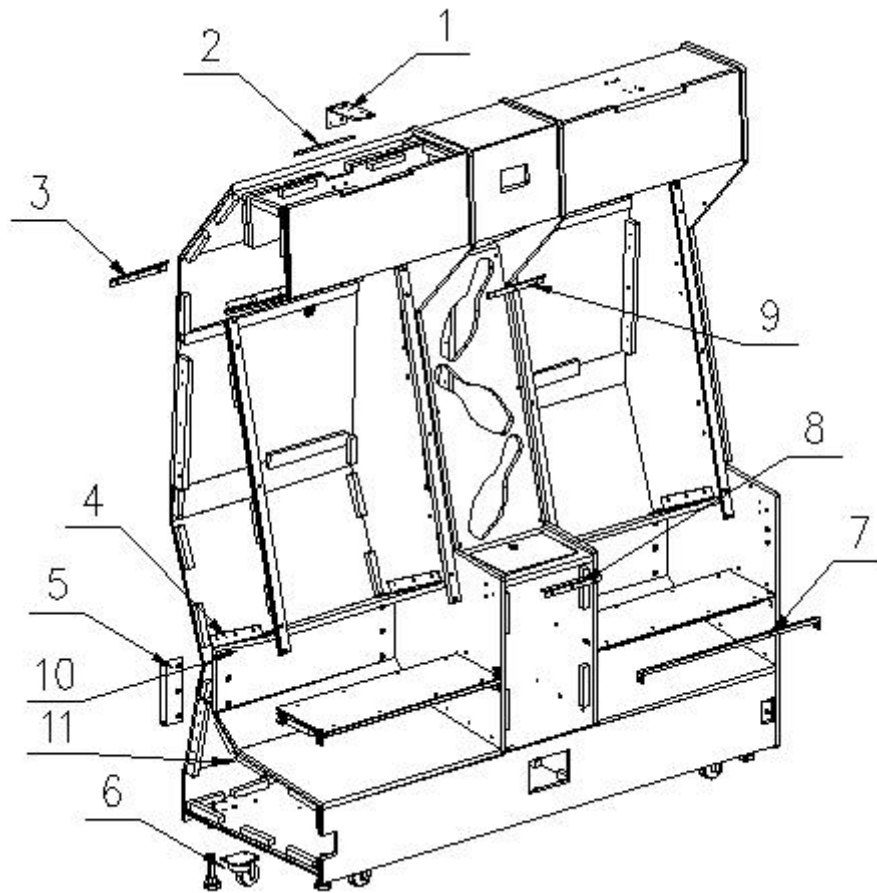


No.	Part No.	Code No.	Name	Qty
1	L110-319-000	26000064000	U disk fixed plate	1
2	L110-316-000	26000055000	Dongle holder	1
3	L110-241-000	20311605D012	PC connected board	1
	L110-312-000	26000012000	Shake proof screw A	4
	L110-318-000	26000061000	PC power fixed bracket	1
	L110-848-000	20211605076	Video card fixed bar	1
	L110-849-000	20211605077	Video card fixed plate	1
	L110-850-000	20611605047	Video card pad	1
	L110-101-000	20101040023	Cross recessed pan head screw	2
	L110-102-000	20102020010	Hexagon flange nut	4
	L110-125-000	20101000016	Cross recessed sunk head screw	4
	L110-126-000	20102020011	Hexagon flange nut	14

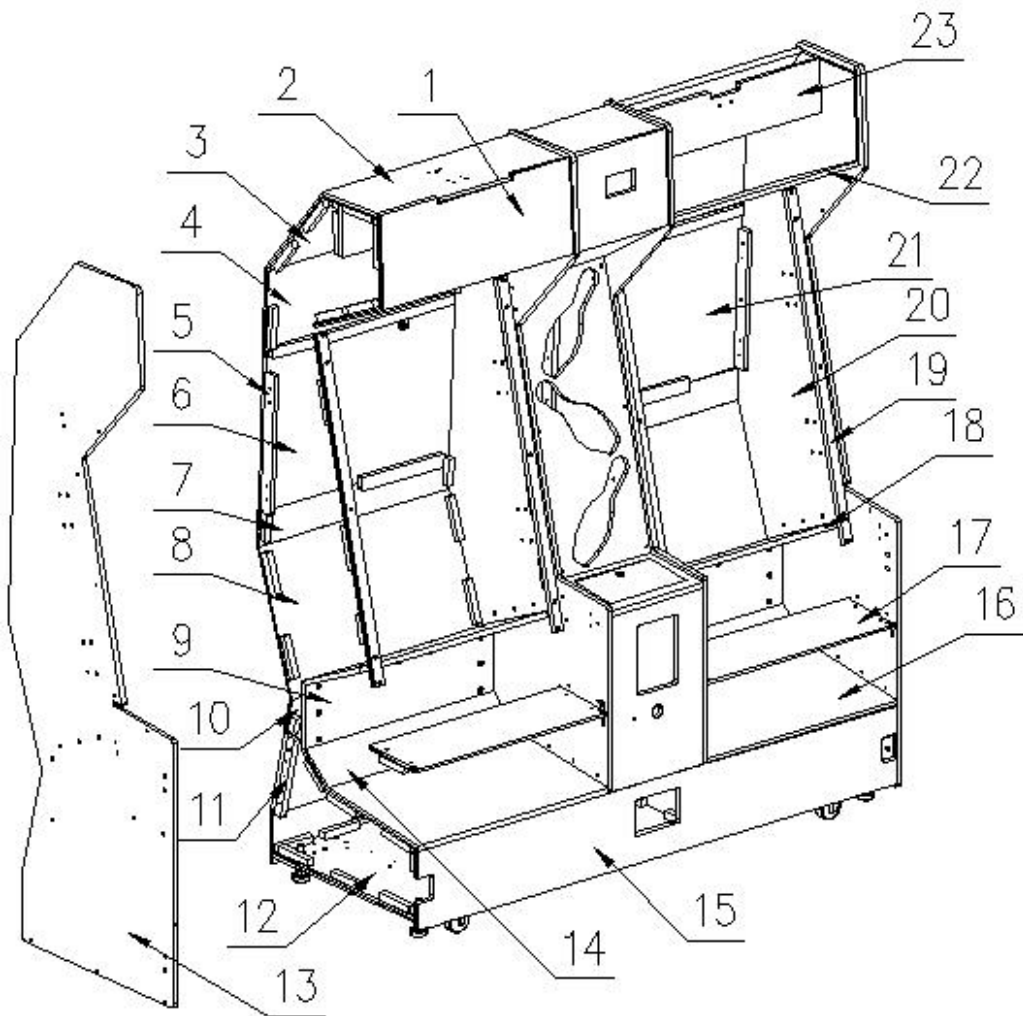


No.	Part No.	Code No.	Name	Qty
1	L110-826-000	20211605010	Damping fixed bracket	4
	L110-114-000	20101030191	Cross recessed sunk head screw	12
2	L110-829-000	20211605012	Protect bar connecting rod	4
	L110-115-000	20101010041	Cross recessed pan head screw set	8
3	L110-825-000	20211605056	Protect bar	2
4	L110-827-000	29911605003	Bumper protect bar	2

9.3 Display Frame

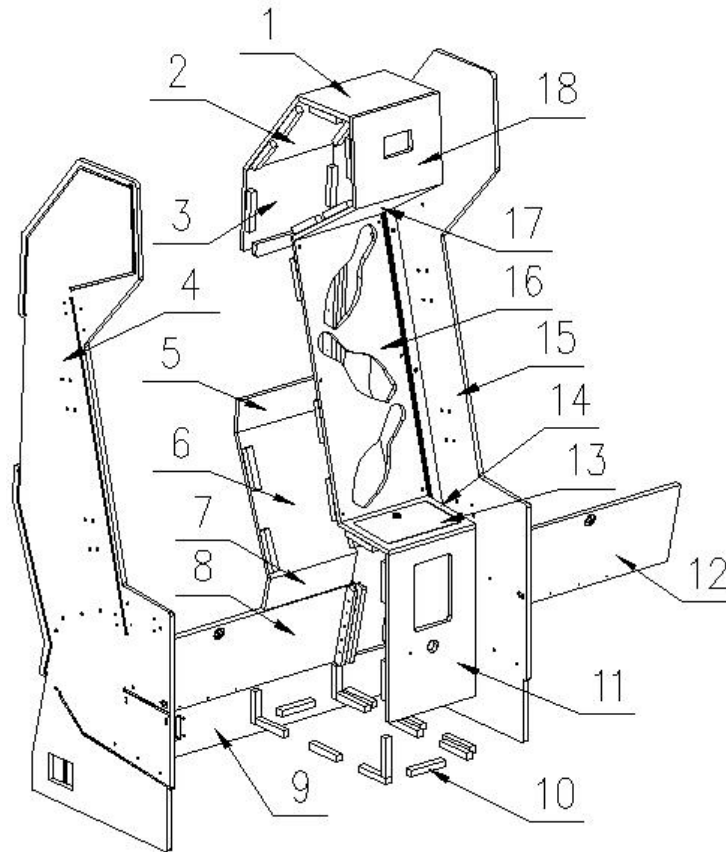


No.	Part No.	Code No.	Name	Qty
1	L110-811-000	20211605001	Marquee reinforced board	2
2	L110-818-000	20211605042	Up mid connected plate	3
3	L110-815-000	20211605041	Mid connected plate 2	3
4	L110-816-000	20211605003	Rear R Lane reinforced board	4
	L110-154-000	20104000002	Cross recessed hexagon screw kit	16
5	L110-817-000	20211605004	Rear L Lane reinforced board 2	5
6	L110-310-000	26000008000	Cabinet leveller	10
	L110-111-000	20102030014	Hexagon nut	10
	L110-311-000	26000010000	Caster bracket	12
	L110-561-000	25501000056	Caster	12
	L110-104-000	20104000003	Cross recessed hexagon screw kit	48
7	L110-813-000	20211605002	Lane reinforced board	6
	L110-107-000	20101020036	Cross recessed pan head screw set	8
8	L110-814-000	20211605040	Mid connected plate 1	1
9	L110-812-000	20211605039	Up mid connected plate	1
10	L110-820-000	20211605061	Connected board	2
11	L110-819-000	20211605005	Up door fixed plate	2



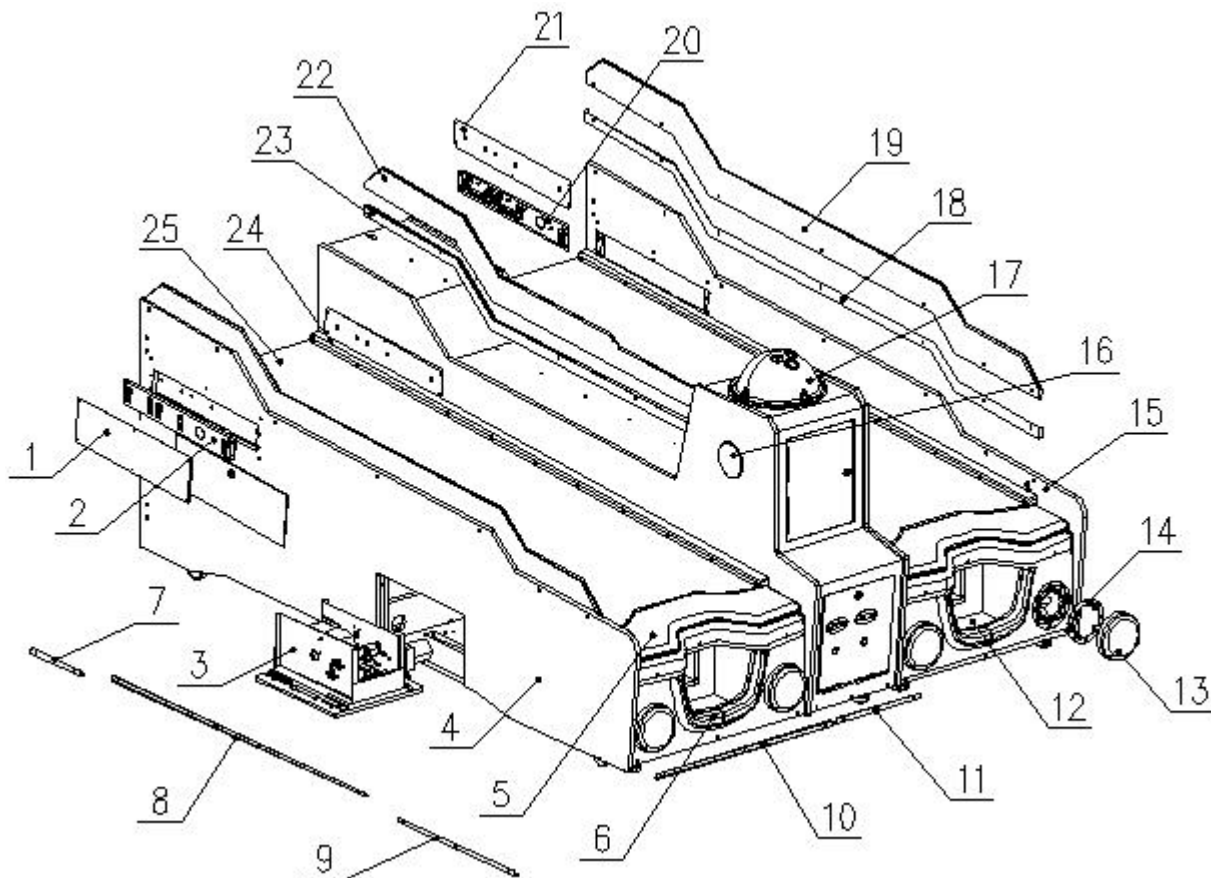
No.	Part No.	Code No.	Name	Qty
1	L110-212-000	20311605D069	Front up board	2
2	L110-211-000	20311605D055	Top board	2
3	L110-210-000	20311605D054	Fan board	2
4	L110-209-000	20311605D053	Rear up board	2
5	L110-238-000	20311605D011	Up door fixed plate	4
6	L110-234-000	20311605D064	Up service door	1
7	L110-232-000	20311605D063	Back bottom connected plate	2
8	L110-208-000	20311605D052	Rear mid board	2
9	L110-222-000	20311605D006	Lane board	2
10	L110-236-000	20311605D066	Back bottom connected plate	2
11	L110-237-000	20311605D010	Door fixed plate	4
12	L110-206-000	20311605D002	Bed board	1
	L110-106-000	2011400004	Nut	8
	L110-109-000	2011400021	Paw nut	36
13	L110-239-000	20311605D075	L side board	1
	L110-110-000	2011400020	Paw nut	2
	L110-105-000	2011400009	Nut	4
	L110-109-000	2011400021	Paw nut	13

No.	Part No.	Code No.	Name	Qty
14	L110-225-000	20311605D008	Lane board	2
15	L110-202-000	20311605D001	Front bed board	1
16	L110-215-000	20311605D004	Rear Lane bed board	2
17	L110-217-000	20311605D046	Rear Lane board	2
18	L110-216-000	20311605D005	Rear Lane back board	2
19	L110-214-000	20311605D003	Display wooden board	4
20	L110-203-000	20311605D068	R side board	1
	L110-110-000	20114000020	Paw nut	2
	L110-105-000	20114000009	Nut	4
	L110-109-000	20114000021	Paw nut	13
21	L110-205-000	20311605D050	Up service door	1
22	L110-213-000	20311605D056	Front mid board	2
23	L110-233-000	20311605D009	Top reinforced board	2



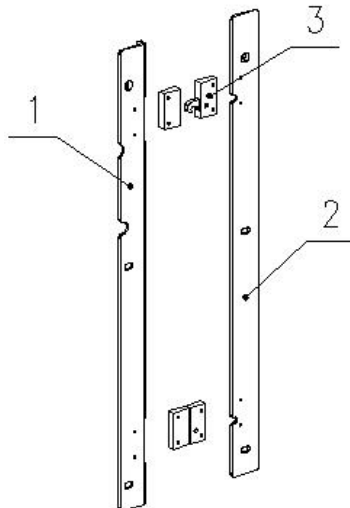
No.	Part No.	Code No.	Name	Qty
1	L110-231-000	20311605D062	Top mid connected board	1
2	L110-228-000	20311605D059	Up mid connected board	1
3	L110-229-000	20311605D060	Down mid connected board	1
4	L110-201-001	20311605D067A	Side board	1
5	L110-230-000	20311605D061	Bottom short connected plate	1
6	L110-227-000	20311605D058	Mid connected board	1
7	L110-226-000	20311605D057	Back bottom connected plate	1
8	L110-207-000	20311605D051	Down service door	1
9	L110-204-000	20311605D049	Power connected board	1
10	L110-564-000	35201001	Wood	35
11	L110-223-001	20311605D007A	Down mid connected board	1
12	L110-235-000	20311605D065	Down service door	1
13	L110-240-000	20311605D076	Service cover	1
14	L110-224-000	20311605D074	Up mid connected board	1
15	L110-218-000	20311605D070	Side board	1
16	L110-219-000	20311605D071	Pin board	1
17	L110-220-000	20311605D072	Mid up connected board	1
18	L110-221-000	20311605D073	Marquee cable plate	1

9.4 Lane Assy.



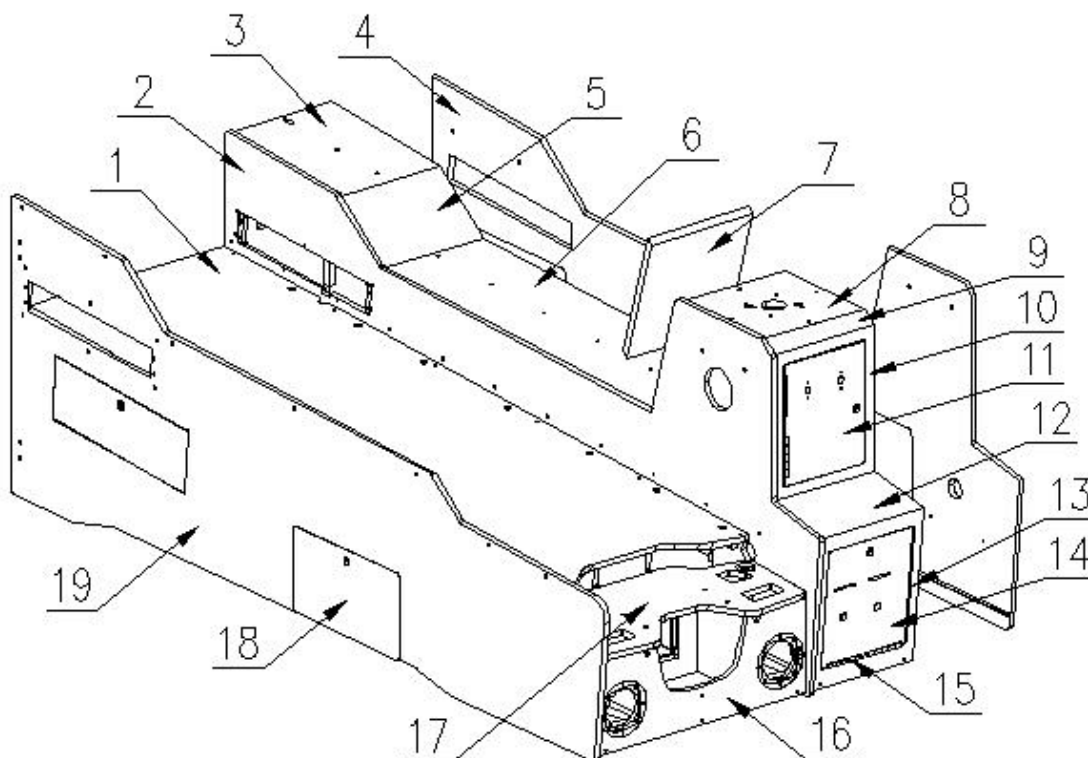
No.	Part No.	Code No.	Name	Qty
1	L110-874-000	20211605026	Sensor cover	2
	L110-121-000	20101010006	Hexagon flat round head screws	8
2	L110-006-000	29911605012	L sensor Assy.	2
	L110-143-000	20101030018	Cross recessed sunk head screw	8
3	L110-008-000	29911605D008	Ball out system	2
	L110-138-000	20101030179	Swing screw	2
	L110-872-000	20211605025	Side light fixed plate	2
	L110-851-000	20211605044	Ball out fixed plate	2
4	L110-004-000	29911605D004	L Lane frame Assy.	1
	L110-131-000	20104023002	Cross recessed hexagon screw kit	8
		20113040060	C flat washer	8
5	L110-009-000	29911605007	Ball basket light Assy.	2
	L110-140-000	20101000090	Cross recessed pan head screw set	8
6	L110-877-000	20611605026	Ball basket light cover	2
7	L110-890-000	20211605069	Angle iron 2	2
8	L110-889-000	20211605068	Angle iron 1	2
9	L110-891-000	20211605070	Angle iron 3	2
10	L110-884-000	20211605032	Angle bead	2
11	L110-885-000	20211605033	Angle bead	1
12	L110-893-000	20611605045	Damping foam 2	2

No.	Part No.	Code No.	Name	Qty
13	L110-317-000	26000057001	Speaker net light cover	4
	L110-132-000	20101040006	Hexagon flat round head screws	16
14	L110-308-000	20251301065	Speaker net light bracket	4
15	L110-005-000	29911605D005	R Lane frame Assy.	1
16	L110-313-000	26000027000	4" speaker net	2
17	L110-878-000	20611605003	Bowling light cover	1
	L110-132-001	20101040007	Hexagon flat round head screws	4
		26000053000	Washer	4
		20113000055	C flat washer	4
18	L110-879-000	20211605029	L side plastic fixed plate	1
	L110-880-000	20211605030	R side plastic fixed plate	1
19	L110-873-000	20611605021	Side clear light board	2
	L110-141-000	20101108005	Hexagon flat round head screws	20
20	L110-007-000	29911605005	R sensor Assy.	2
	L110-143-000	20101030018	Cross recessed sunk head screw	8
21	L110-857-000	20211605022	Sensor cover	4
22	L110-881-000	20611605022	Mid clear light board	1
23	L110-882-000	20211605031	Mid plastic fixed plate	1
	L110-143-000	20101030018	Cross recessed sunk head screw	14
	L110-144-000	20102040038	Cap nut	4
24	L110-883-000	20611605004	Lane side light plastic	4
25	L110-892-000	20611605044	Lane clear plate	2
	L110-142-000	20101100175	Cross recessed sunk head screw	24



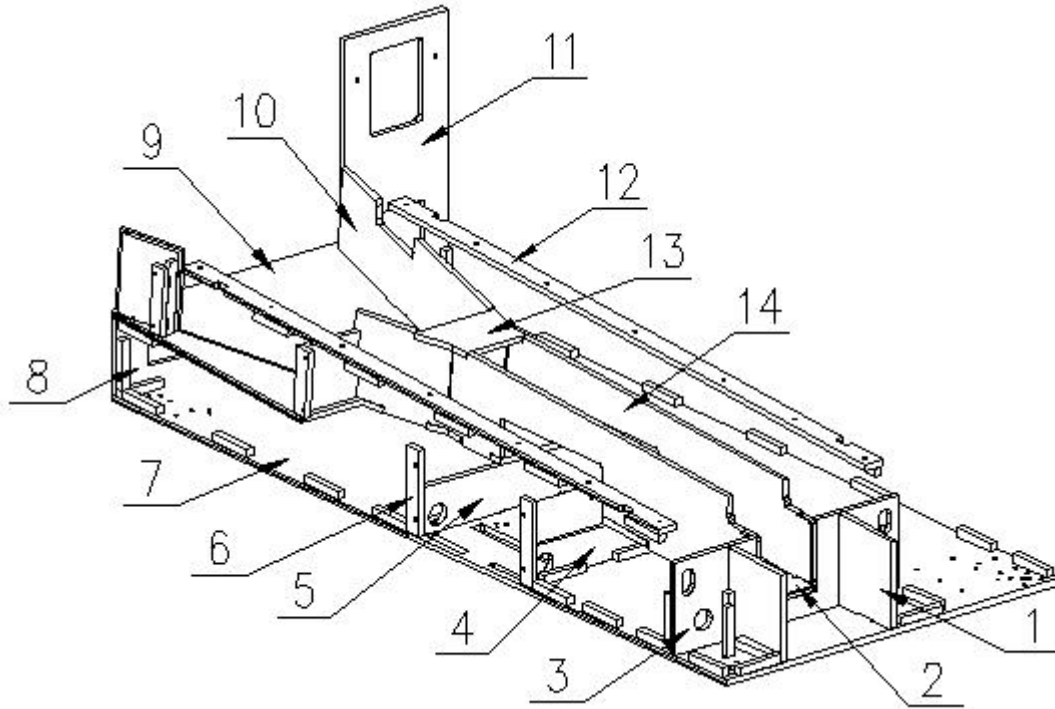
No.	Part No.	Code No.	Name	Qty
1	L110-809-000	20211605D005	R side reinforced plate	1
	L110-810-000	20211605D006	L side reinforced plate	1
	L110-108-000	20101020145	Hexagon flat round head screws	4
	L110-124-000	20113040051	C flat washer	4

No.	Part No.	Code No.	Name	Qty
2	L110-802-001	20211605D001A	Connecting plate(vertical)	1
	L110-803-001	20211605D002A	Connecting plate 2 (vertical)	1
	L110-123-000	20101048028	Hexagon flat round head screws	6
	L110-124-000	20113040051	C flat washer	6
3	L110-569-000	25300000148	R5 lock	4
	L110-147-000	20101010025	Cross recessed pan head screw	16

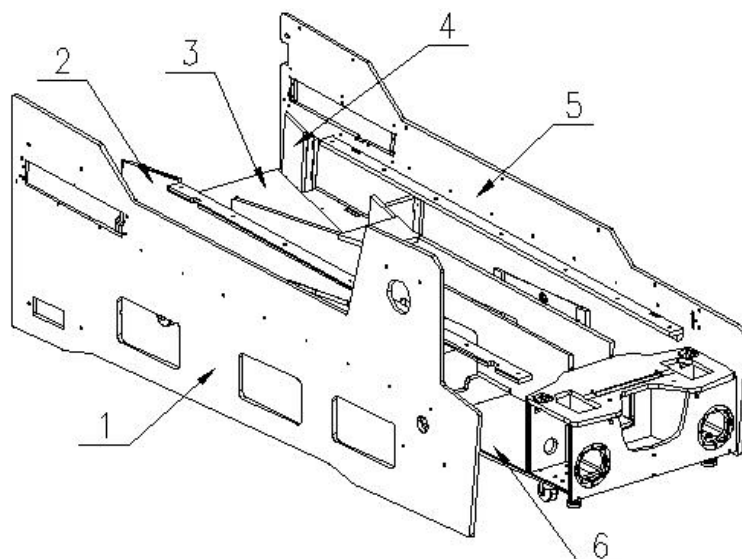


No.	Part No.	Code No.	Name	Qty
1	L110-248-000	20311605D047	Lane board	2
2	L110-242-000	20311605D077	Side board	1
3	L110-261-000	20311605D084	Up front connected board	1
4	L110-271-000	20311605D025	Connected side board	1
5	L110-262-000	20311605D085	Up front cantboard	1
6	L110-263-000	20311605D086	Long connected board	1
7	L110-264-000	20311605D087	Rear connected cantboard	1
8	L110-265-000	20311605D088	Bowling decoration board	1
	L110-129-000	20114000005	Nut	4
9	L110-266-000	20311605D089	Small connected board	1
10	L110-267-000	20311605D090	Coin board	1
11	L110-274-001	20311605D095A	Coin door board	1
12	L110-268-000	20311605D091	Front connected board	1
13	L110-269-000	20311605D092	Ticket board	1
14	L110-273-000	20311605D094	Ticket door plate	1

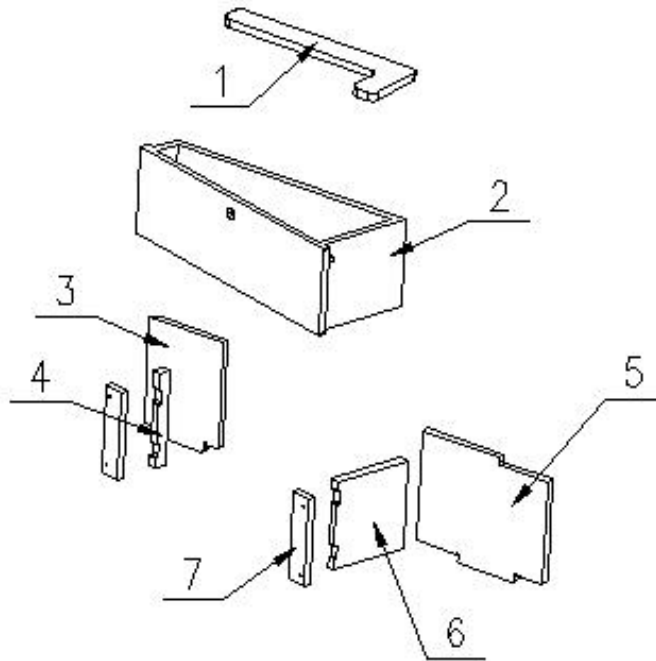
No.	Part No.	Code No.	Name	Qty
15	L110-563-000	26300000001	Hinge	4
16	L110-255-000	20311605D082	Speaker fixed plate	1
17	L110-256-000	20311605D020	Front light support plate	1
	L110-894-000	20611605046	Light cover fixed plate	1
18	L110-272-000	20311605D093	Ball out cover	1
	L110-130-000	20101030027	Cross recessed pan head screw	4
19	L110-244-000	20311605D078	Side board	1
	L110-128-000	20114000001	Nut	2



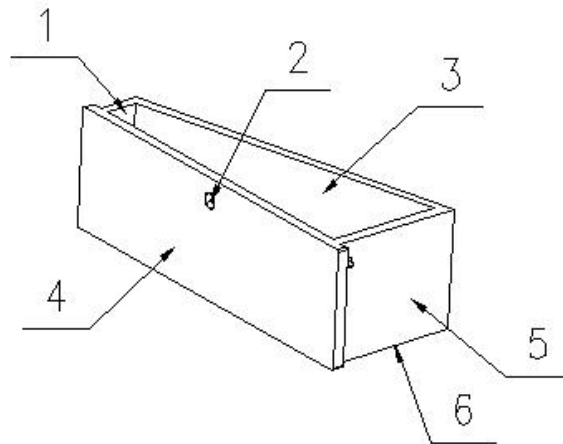
No.	Part No.	Code No.	Name	Qty
1	L110-257-000	20311605D083	Groove side board	2
2	L110-254-000	20311605D081	Bottom-Lane front board	1
3	L110-245-000	20311605D079	Baffle	1
4	L110-259-000	20311605D022	Cabinet fence(S)	1
5	L110-270-000	20311605D024	Cabinet fence(L)	1
6	L110-251-000	20311605D017	Door fixed plate	2
7	L110-246-000	20311605D014	Front bed board	1
8	L110-243-000	20311605D013	Rear cover board	1
9	L110-249-000	20311605D016	Bottom-Lane front board	1
	L110-854-000	20611605037	Lane foam	1
10	L110-253-000	20311605D019	Bottom-Lane front side board	1
	L110-853-000	20611605031	Lane damping foam 2	1
11	L110-260-001	20311605D023A	Rear mid cover	1
12	L110-247-000	20311605D015	Face connected board	2
	L110-127-000	20101020188	Cross recessed hexagon screw set	14
13	L110-258-000	20311605D021	Lane connected board	1
14	L110-250-000	20311605D080	Bottom-Lane side board	2



No.	Part No.	Code No.	Name	Qty
1	L110-281-000	20311605D096	Side board	1
2	L110-252-000	20311605D018	Bottom-Lane front side board	1
	L110-852-000	20611605030	Lane damping foam 1	1
3	L110-284-001	20311605D033A	R bottom lane front plate	1
	L110-854-000	20611605037	Lane foam	1
4	L110-285-000	20311605D034	Side fender 1	1
	L110-805-000	20611605D002	Lane side foam 2	1
5	L110-282-001	20311605D097A	Side board	1
	L110-128-000	20114000001	Nut	1
6	L110-283-001	20311605D032A	Front board	1

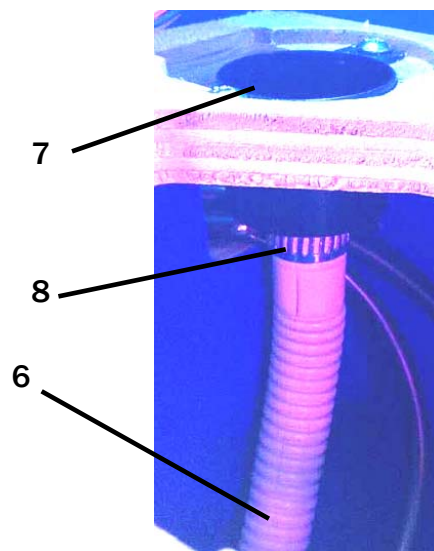
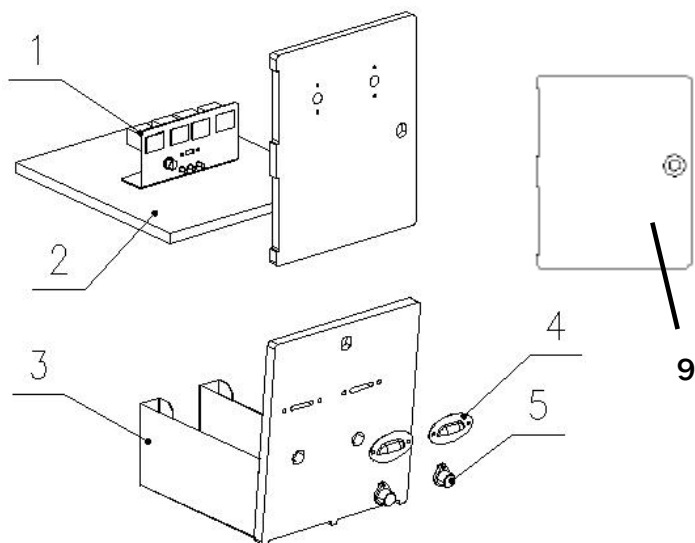


No.	Part No.	Code No.	Name	Qty
1	L110-292-000	20311605D040	Debris removal stick	1
2	L110-286-000	20311605D035	L drawer	1
	L110-293-000	20311605D041	R drawer	1
3	L110-280-000	20311605D031	Side fender 1	1
	L110-805-000	20611605D002	Lane side foam 2	1
4	L110-278-000	20311605D029	Drawer reinforced plate 2	1
5	L110-276-000	20311605D027	Side fender 1	1
	L110-804-000	20611605D001	Lane side foam 1	1
6	L110-277-000	20311605D028	Drawer reinforced plate 1	1
7	L110-279-000	20311605D030	Drawer fix plate	2



No.	Part No.	Code No.	Name	Qty
1	L110-289-000	20311605D037	Drawer side plate 2	2
2	L110-559-000	25300171001	Lock	2
	L110-807-000	20211605D003	Pin	4
	L110-808-000	20211605D004	Lock plate	2
	L110-134-000	20101030171	Hexagon flat round head screws	4

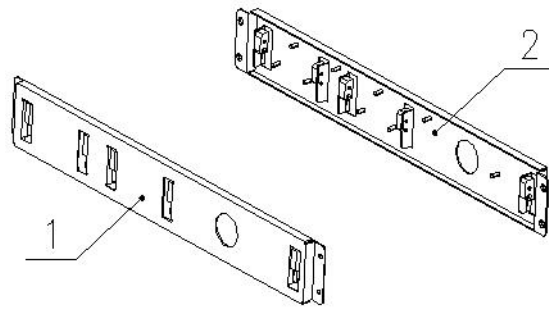
No.	Part No.	Code No.	Name	Qty
3	L110-290-000	20311605D038	Drawer plate 4	2
	L110-806-000	20611605D003	Drawer foam	2
4	L110-287-000	20311605D098	Drawer surface plate	2
5	L110-288-000	20311605D036	Drawer side plate 1	2
6	L110-291-000	20311605D039	Drawer bottom plate	2



No.	Part No.	Code No.	Name	Qty
1	L110-887-000	20211605067	Dual meter bracket	1
2	L110-275-000	20311605D026	Coin box down board	1
3	L110-309-000	26000007000	Ticket box 120	2
4	L110-315-000	26000051000	Ticket cover	2
5	L110-320-000	26000065000	Out of ticket light cover	2
6	L110-888-000	20611605042	Drain-hose	4
7	L110-886-000	20211605064	Water head	4
8	L110-572-000	25103000005	Hose clamp	4

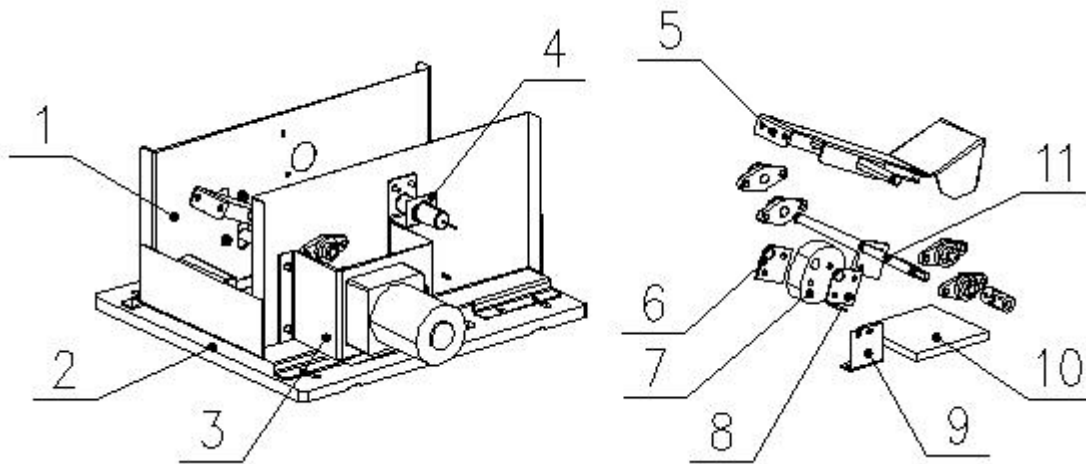
Optional Part:

No.	Part No.	Code No.	Name	Qty
9	L110-905-000	20311605D103	Blank door	1
	L110-559-000	25300171001	Lock	1



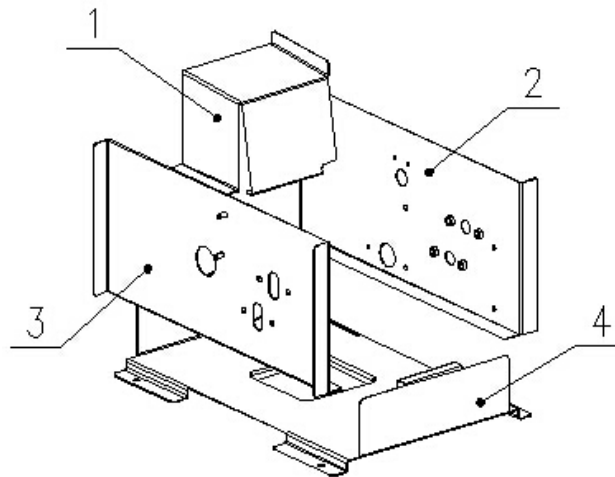
No.	Part No.	Code No.	Name	Qty
1	L110-855-000	20211605019	Sensor fixed plate	1
	L110-145-000	20102020034	Non-metallic hexagon lock nut	5
	L110-146-000	20101020159	Cross recessed pan head screw set	5
2	L110-856-000	20211605021	Sensor fixed plate 2	1
	L110-145-000	20102020034	Non-metallic hexagon lock nut	5
	L110-146-000	20101020159	Cross recessed pan head screw set	5

9.5 Ball out Assy.



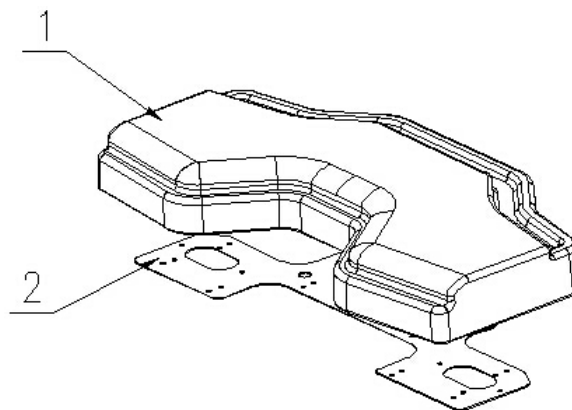
No.	Part No.	Code No.	Name	Qty
1	L110-858-000	20211605057	Cabinet bracket	1
2	L110-294-000	20311605D042	Cabinet support board	1
3	L110-864-000	20211605050	Motor bracket	1
	L110-136-000	20101000041	Cross recessed pan head screw set	4
4	L110-863-000	20211605049	Sensor fixed plate A	1
	L110-133-000	20102000002	Non-metallic hexagon lock nut	2
5	L110-865-000	20211605023	Up bowling bracket	1
6	L110-868-000	20211605051	Eccentric wheel pad	1
7	L110-867-000	20611605023	Eccentric wheel	1
	L110-137-000	20101000044	Cross recessed pan head screw set	2
8	L110-869-000	20211605052	Sensor baffle	1
9	L110-870-000	20211605053	Sensor fixed plate B	1
10	L110-871-000	20611605014	Damping board	1
11	L110-866-000	20211605024	Motor shaft	1
	L110-570-000	20106130014	Diamond bearing	2

9.6 Ball out assy. frame



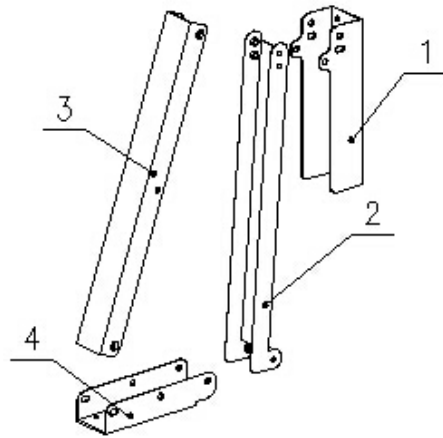
No.	Part No.	Code No.	Name	Qty
1	L110-862-000	20211605048	Cantboard	1
2	L110-860-000	20211605046	Side board B	1
3	L110-859-000	20211605045	Side board A	1
4	L110-861-000	20211605047	Bed board	1

9.7 Ball basket light Assy.

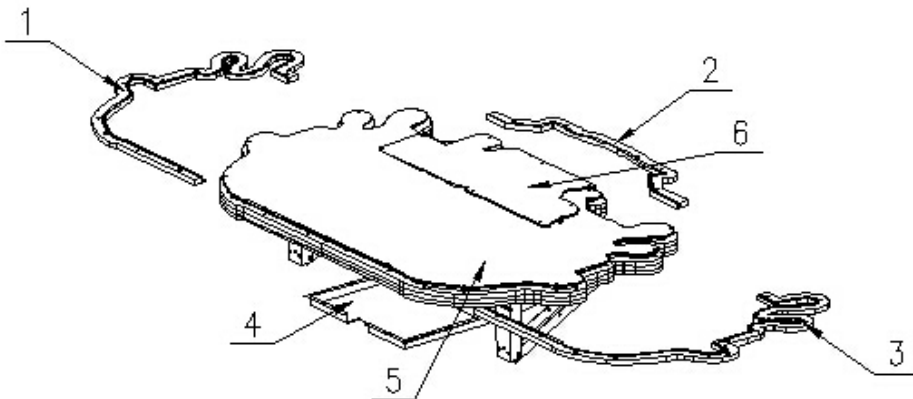


No.	Part No.	Code No.	Name	Qty
1	L110-876-001	20611605040A	Bowling light cover	1
2	L110-875-000	20611605039	Bowling light plate	1
	L110-139-000	20101020035	Cross recessed pan head screw set	6

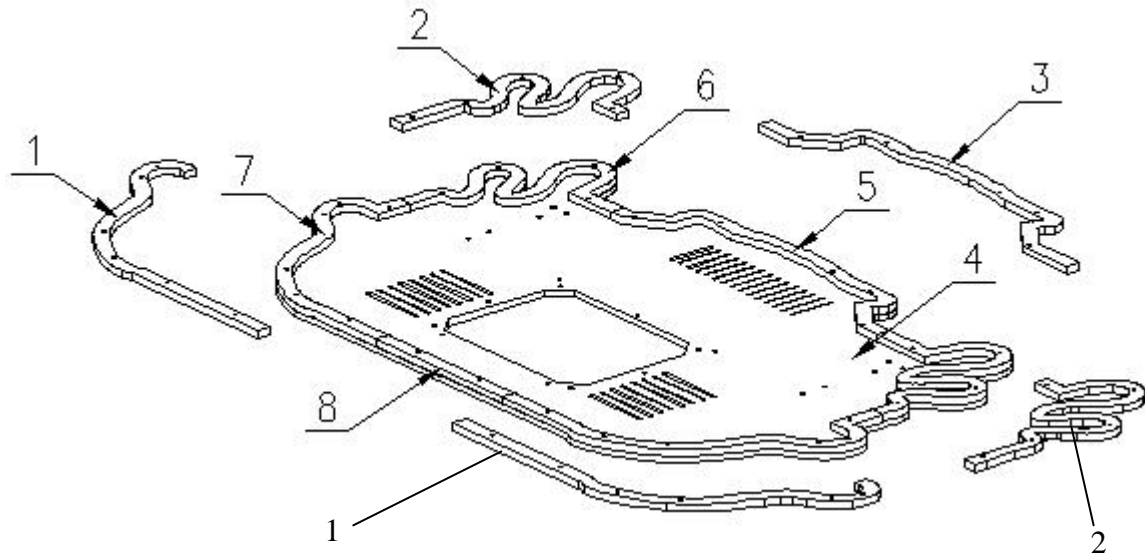
9.8 Marquee Assy.



No.	Part No.	Code No.	Name	Qty
1	L110-895-000	20211605034	Marquee fixed plate	2
	L110-149-000	20104020002	Cross recessed hexagon screw kit	10
2	L110-897-000	20211605035	Marquee connected rod	2
	L110-108-000	20101020145	Cross recessed pan head screw set	8
3	L110-899-000	20211605037	Fixed connected rod	2
	L110-108-000	20101020145	Cross recessed pan head screw set	8
4	L110-898-000	20211605036	Marquee fixed bracket	1



No.	Part No.	Code No.	Name	Qty
1	L110-303-000	20611605033	Light plastic 2	1
	L110-304-000	20611605034	Light plastic 3	1
	L110-148-000	20101000112	Cross recessed pan head screw	7
2	L110-302-000	20611605032	Light plastic 1	1
	L110-148-000	20101000112	Cross recessed pan head screw	3
3	L110-305-000	20611605035	Light plastic 4	1
	L110-306-000	20611605036	Light plastic 5	1
	L110-148-000	20101000112	Cross recessed pan head screw	7
4	L110-301-000	20211605038	Marquee cover	1
5	L110-151-000	20101040134	Cross recessed pan head screw	12
	L110-116-000	20113000055	C flat washer	12
6	L110-896-000	20611605024	Swivel nut	8
	L110-152-000	20102040011	Hexagon flange nut	6
	L110-153-000	20101040108	Cross recessed pan head screw	6

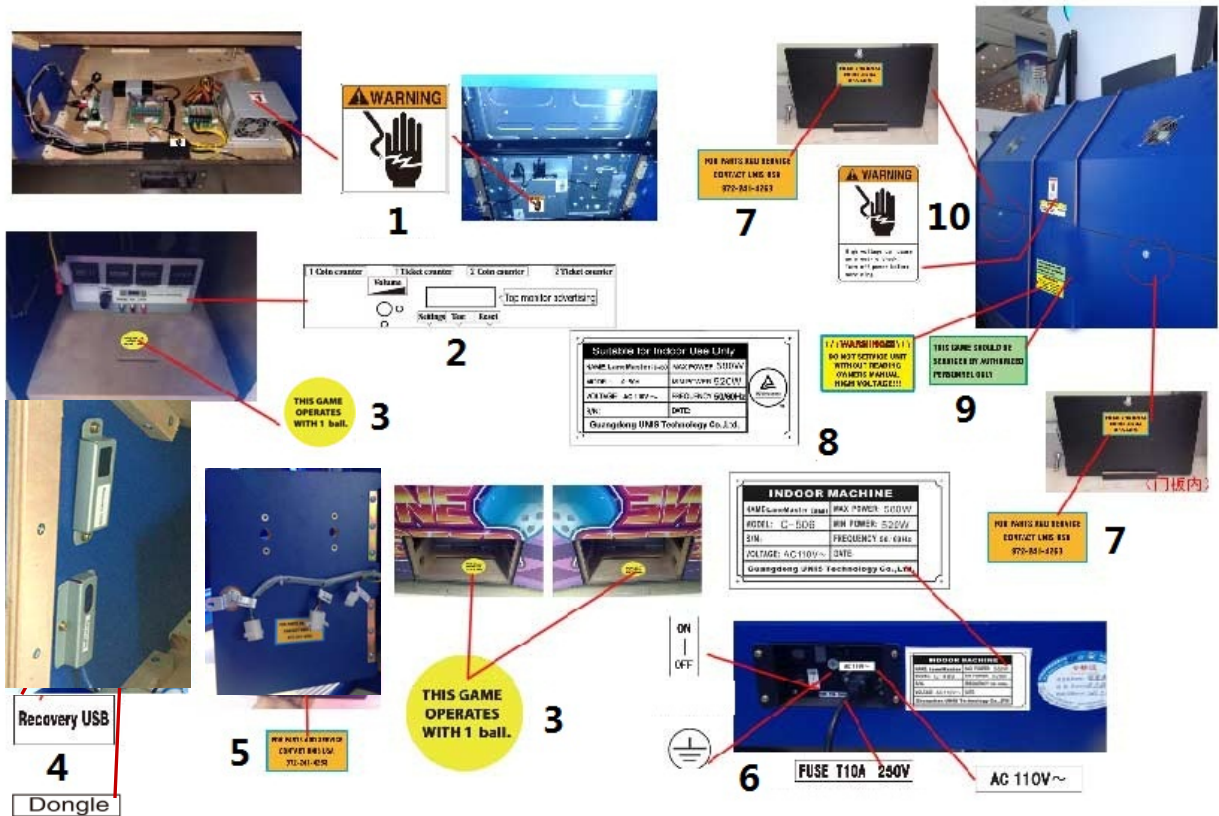


No.	Part No.	Code No.	Name	Qty
1	L110-298-000	20311605D045	Light plastic fixed plate 3	2
2	L110-297-000	20311605D044	Light plastic fixed plate 2	2
3	L110-296-000	20311605D043	Light plastic fixed plate 1	1
4	L110-295-000	20311605D048	Marquee bed board	1
	L110-307-000	20611605038	PCB protect board	1
5	L110-401-000	20311605D099	Light plastic fixed plate 4	1
6	L110-402-000	20311605D100	Light plastic fixed plate 5	2
7	L110-403-000	20311605D101	Light plastic fixed plate 6	2
8	L110-404-000	20311605D102	Light plastic fixed plate 9	1

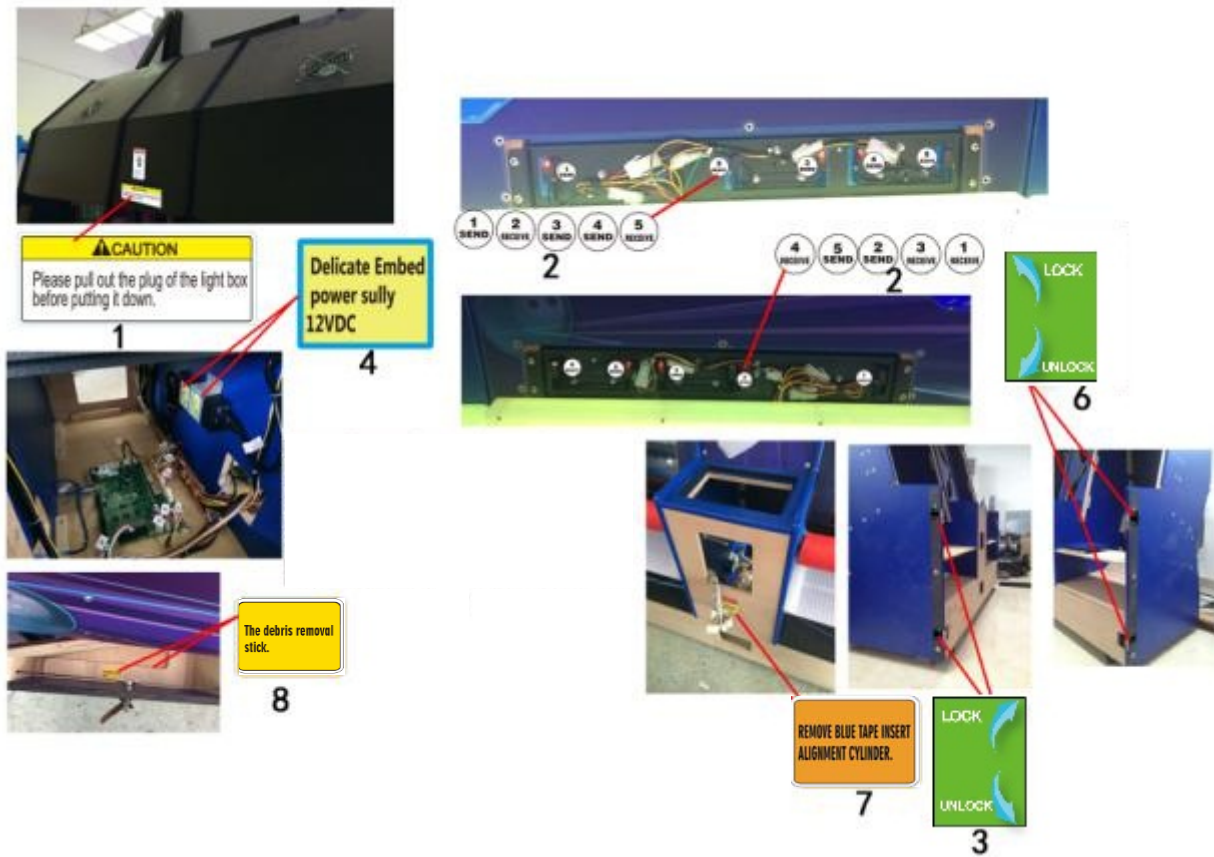
9.9 Decals



No.	Part No.	Code No.	Name	Qty
1	L110-748-000	20511605A004	R top side decal	1
	L110-749-000	20511605A003	L top side decal	1
2	L110-702-000	20511605A018	LOGO decal	1
3	L110-745-000	20511605014	Display frame decal	2
4	L110-742-000	20511605A023	Sensor L cover decal	1
5	L110-743-000	20511605A022	Sensor R cover decal	1
6	L110-721-000	20511605D006	Mid R wood board decal	1
	L110-722-000	20511605D005	Mid L wood board decal	1
7	L110-739-000	25600000034	Ticket label	2
8	L110-718-000	20511605D009	Instruction decal	1
9	L110-747-000	20511605A010	Front panel wood board decal	1
10	L110-719-000	20511605D008	Purple L decal	1
	L110-720-000	20511605D007	Purple R decal	1
11	L110-701-000	20511605A017	Marquee decal	1
12	L110-746-000	20511605005	Cover decal	1
13	L110-725-000	20511605D002	L side O2 decal	1
14	L110-726-000	20511605D001	L side O1 decal	1
15	L110-723-000	20511605D004	R side O2 decal	1
16	L110-724-000	20511605D003	R side O1 decal	1

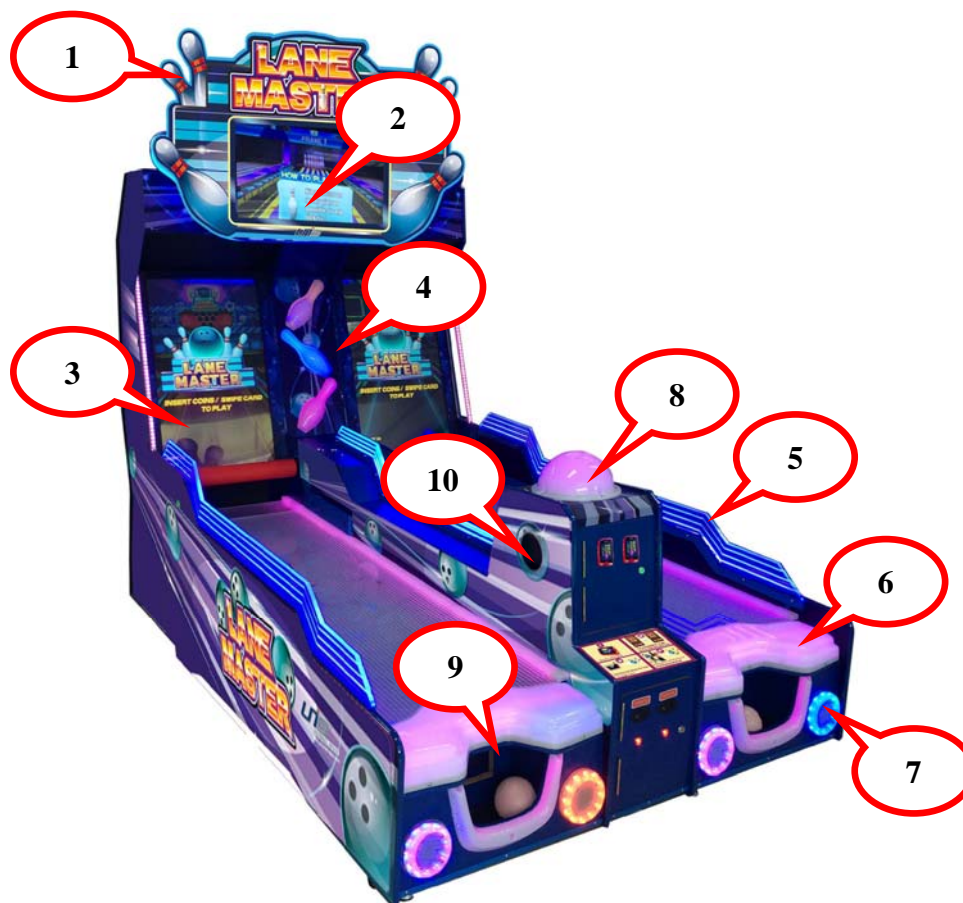


No.	Part No.	Code No.	Name	Qty
1	L110-735-000	25600000036	Warning label S	4
2	L110-750-000	20511605A020	Meter label	1
3	L110-717-001	20511605D010A	Coin door label	1
4	L110-733-000	26601100283	Recovery USB label	1
	L110-756-000	25600000093	Dongle label	1
5	L110-729-000	25600000096	Service label (S)	1
6	L110-736-000	25600000016	Power SW label A	1
	L110-738-000	25600000071	110 V label	1
	L110-740-000	25600000091	GND label	1
	L110-734-000	25600000077	Fuse T10A/250V	1
7	L110-730-000	25600000095	Service label (L)	1
8	L110-715-000	20511605D012	TUV 110V nameplate	1
	L110-716-000	20511605D011	110V uncertified nameplate	1
9	L110-731-000	25600000067	Service label	1
	L110-732-000	25600000042	Service label 1	1
10	L110-737-000	25600000037	Warning label L	1

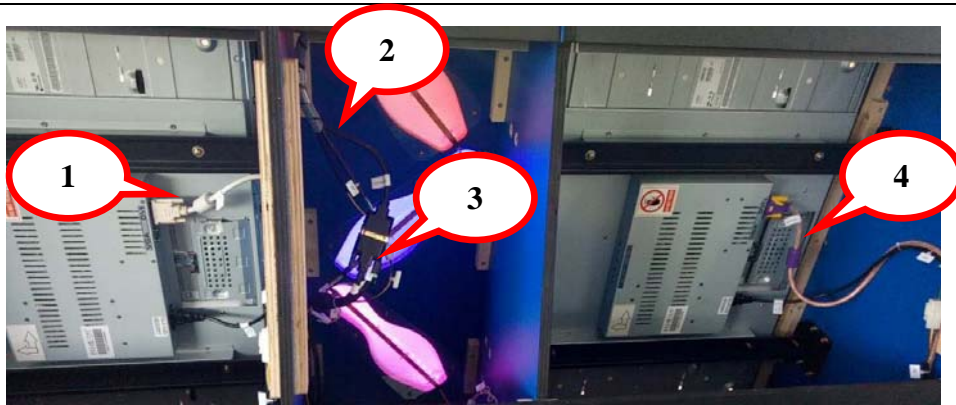


No.	Part No.	Code No.	Name	Qty
1	L110-744-000	20511605A019	Notice label	1
2	L110-752-000	20511605D026	Sensor label	1
3	L110-711-001	20511605D016A	Lock notice label 1	2
4	L110-704-000	20511605D024	Adapter label	2
5	L110-755-001	20511605D029A	Debris removal stick	2
6	L110-710-001	20511605D017A	Lock notice label 2	2
7	L110-754-001	20511605D028A	Alignment cylinder label	1

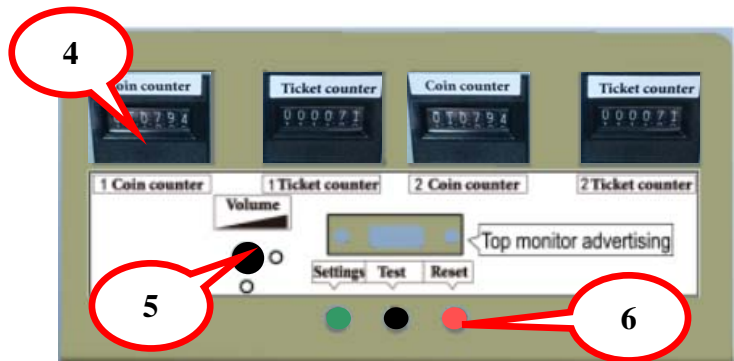
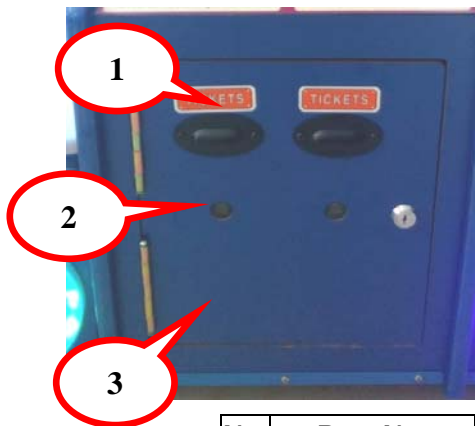
9.10 Electrical components



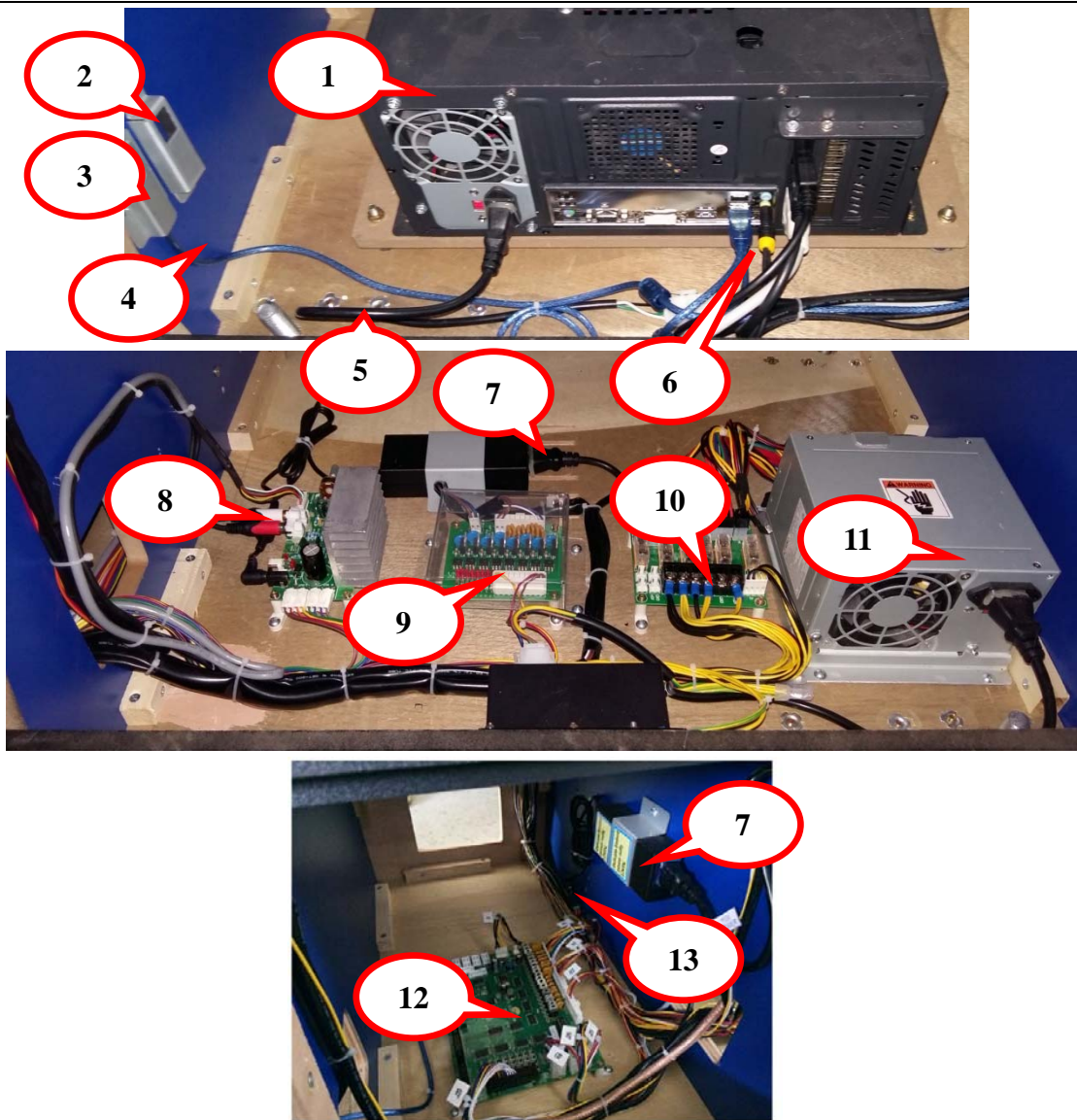
No.	Part No.	Code No.	Name	Qty
1	L110-539-000	22002013003	LED soft light band(white)	5.5m
	L110-533-000	22002013004	LED soft light band(blue)	6.3m
2	L110-527-000	21201032006	32" display assy.	1
3	L110-551-000	21201043001	43" LED display	2
4	L110-529-000	22002013013	5050 soft light band (blue)	0.3m
	L110-530-000	22002015003	5050 soft light band (red)	0.3m
	L110-531-000	22002015007	5050 soft light band (purple)	0.3m
5	L110-533-000	22002013004	LED soft light band(blue)	6.2m
6	L110-532-000	22002013002	RGB soft light band	12.5
7	L110-523-000	29751301003	Speaker light board	4
	L110-534-000	22801000046	Speaker	4
8	L110-524-000	29740914003	Bowling ball light	1
9	L110-547-000	22003080014	5630 light	2
10	L110-534-000	22801000046	Speaker	2



No.	Part No.	Code No.	Name	Qty
1	L110-526-000	23307000015	DVI-DVI cable	1
2	L110-543-000	23307060001	DVI-DVI cable	1
3	L110-544-000	23307010002	DVI-HDMI cable	1
4	L110-549-000	23307020001	DVI-DVI cable	1
5	L110-550-000	23307000018	DP-DVI cable	1



No.	Part No.	Code No.	Name	Qty
1	L110-552-000	23100000004	Entropy	2
2	L110-535-000	22003000003	Ticket light	2
	L110-536-000	22201000028	12V white light socket	2
3	L110-541-000	29790700002	Ticket converted board	2
4	L110-521-000	23000000005	Meter	4
5	L110-518-000	22403000001	POT knob	1
	L110-540-000	29791400001	POT connected board	1
6	L110-513-000	22402010002	Button (Red)	1
	L110-514-000	22402030002	Button (Green)	1
	L110-515-000	22402050001	Button (Black)	1



No.	Part No.	Code No.	Name	Qty
1	L110-548-000	21102000051B	PC assy.(TUV)	1
2	L110-522-000	41300000005	U disk	1
3	L110-517-000	21107020036	Dongle	1
	L110-546-000	23304010032	USB cable(3M)	1
4	L110-555-000	23304000100	USB extended cable	1
5	L110-510-000	23301050002	Power cord	1
6	L110-554-000	23304010033	USB cable(1.5M)	1
7	L110-542-000	21603020001	Adapter	2
	L110-516-000	22803000031	2.0 amplifier	1
8	L110-511-000	23305000003	Audio cable	1
	L110-525-000	29710826003	Motor control board	2
10	L110-538-000	29711605001	Short circuit board	1
	L110-508-001	21901000012	Short circuit board-Fuse	5
11	L110-520-000	21602000001	Power box	1
12	L110-537-000	29791300001	M3 main board	1
	L110-553-000	23309000263	Cable set	1
13	L110-556-000	23301040022	Power cord(2.5M)	1

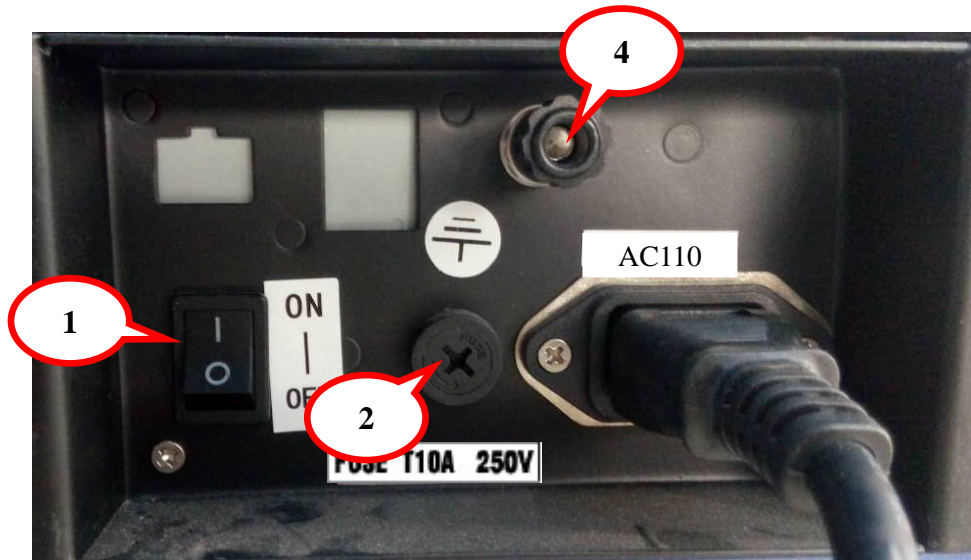
(L110-548-000) PC assy. (TUV) Components:



No.	Part No.	Code No.	Name	Qty
1	L110-548-001	21107220008	Main board(GA-F2A68HM-DS2 UL)	1
2	L110-548-002	21107190017	CPU	1
3	L110-548-004	21107090013	Memory(4G)	1
4	L110-548-005	21107060004	Hard disk(16G)	1
5	L110-548-006	21107170012	Power supply	1
6	L110-548-007	21107070007	CPU fan	1
7	L110-548-008	21107070008	Cabinet fan	1
8	L110-548-009	21107270004	PC cabinet	1
9	L110-548-010	21107030081	Video card (R7 250X GHZ EDITION 2G GDDR5)	1



No.	Part No.	Code No.	Name	Qty
1	L110-501-000	21503000034	Sensor SW (for ball)	2
2	L110-507-000	29710704001	Sensor board	2
3	L110-504-000	21503000053	Sensor SW(receive)	10
4	L110-505-000	21503000052	Sensor SW(send)	10
5	L110-502-000	23405000051	AC gear motor	2
6	L110-503-000	20117000401	Coupling	2
	L110-135-000	20101100088	Hexagon round head screws	4



No.	Part No.	Code No.	Name	Qty
1	L110-512-000	22601000005	Rocket SW (S)	1
2	L110-509-000	21902000006	Fuse socket	1
	L110-506-000	21901000013	Fuse	1
3	L110-519-000	22702000010	Fan net	4
	L110-528-000	22702010025	DC fan	2
4	L110-545-000	21412000001	Binding post	1

10. WIRING DIAGRAM

