



# Operation Manual



[www.universal-space.com](http://www.universal-space.com)

**WE ARE HERE TO ASSIST**  
**For parts and service**



**Have Questions? Contact us!**

**UNIS SERVICE CENTER**

Tel: 972-241-4263

Email: [service@unispartsandservice.com](mailto:service@unispartsandservice.com)

# CONTENT

IMPORTANT SAFETY INSTRUCTIONS.....3

1. SPECIFICATIONS..... 5

2. PACKAGE CONTENTS..... 7

3. PART NAME..... 8

4. SET UP & INSTALLATION..... 9

5. HOW TO PLAY..... 17

6. GAME OPTION..... 19

7. ERROR MESSAGE AND RECOVERY..... 21

8. MAINTENANCE & INSPECTION..... 25

9. OVERALL CONSTRUCTION..... 26

10. WIRING DIAGRAM..... 46

Thank you for purchasing **Derby Champions**. We hope you enjoy the product.

This manual contains valuable information about how to operate and maintain your game machine properly and safely. It is intended for the owner and/or personnel in charge of product operation. Carefully read and understand the instructions.

If you need any help during installation and setup please utilize this manual and troubleshooting guide. If the product fails to function properly, *non-technical personnel should under no circumstance attempt to service the machine*. Contact your distributor or manufacturer for help.

Before use, please read **IMPORTANT SAFETY INSTRUCTIONS**.

## IMPORTANT SAFETY INSTRUCTIONS

**To ensure the safe usage of this product, carefully read and understand these instructions before operating your game.**

**Save these instructions for future reference.**

Use this product only as described in this manual. Other uses not recommended may cause fire, electric shock or personal injury. Unplug the game from the outlet when not in use, when moving from one location to another, and before cleaning/servicing.

Explanations which require special attention are indicated by signs of warning. Depending on the potential hazardous degree, the terms: **NOTE**, **NOTICE**, and **WARNING** are used.

**NOTE:** A NOTE indicates useful hints or information about product usage.

**NOTICE:** A NOTICE indicates potential damage to product and how to avoid the problem.

**WARNING:** A WARNING indicates a potential for product damage or serious personal injury.

It is important to understand the meaning of the following HAZARD SIGNS before continuing:

### High Voltage and Shock Hazard:

High voltage can cause electric shock.  
Turn off/unplug power before servicing.



### High Temperature Hazard:

This part may cause scalding.  
Do not touch. Surface may be hot.



### No Touching Hazard:

This part may be hot or can cause electric shock.  
Do not touch.



Use the following safety guidelines to help ensure your own personal safety and to help protect your equipment and surrounding environment from potential damage.

 **This product is an indoor game machine. Do not install outdoors.**

Avoid installing in the following places to prevent fire, electric shock, injury and/or machine malfunctioning:

- Places subject to rain/moisture, or places subject to high humidity.
- Places subject to direct sunlight, or places subject to extremely hot or cold temperatures to ensure that it is used within the specified operating range.
- Places where inflammable gas may be present or in the vicinity of highly inflammable/volatile chemicals or items that can easily catch fire
- On unstable or sloped surfaces. The machine may topple or cause unforeseen accidents.
- Vicinity of fire exits, fire extinguishers etc that may block/prevent safety measures

**IMPORTANT NOTE:**

**ALL REPAIRS MUST BE DONE TO ORIGINAL MANUFACTURER SPECIFICATIONS. FAILURE TO DO SO VOID ALL WARRANTIES AND OPERATOR ASSUMES ALL RISKS.**

Note: The contents of this manual may be updated without notice.

# 1. SPECIFICATIONS

Rated power supply: AC110V 50/60Hz; AC220V 50/60Hz (It is subject to the nameplate on the back of the machine.)

Min. Power consumption: 200W


Max. Power consumption: 450W

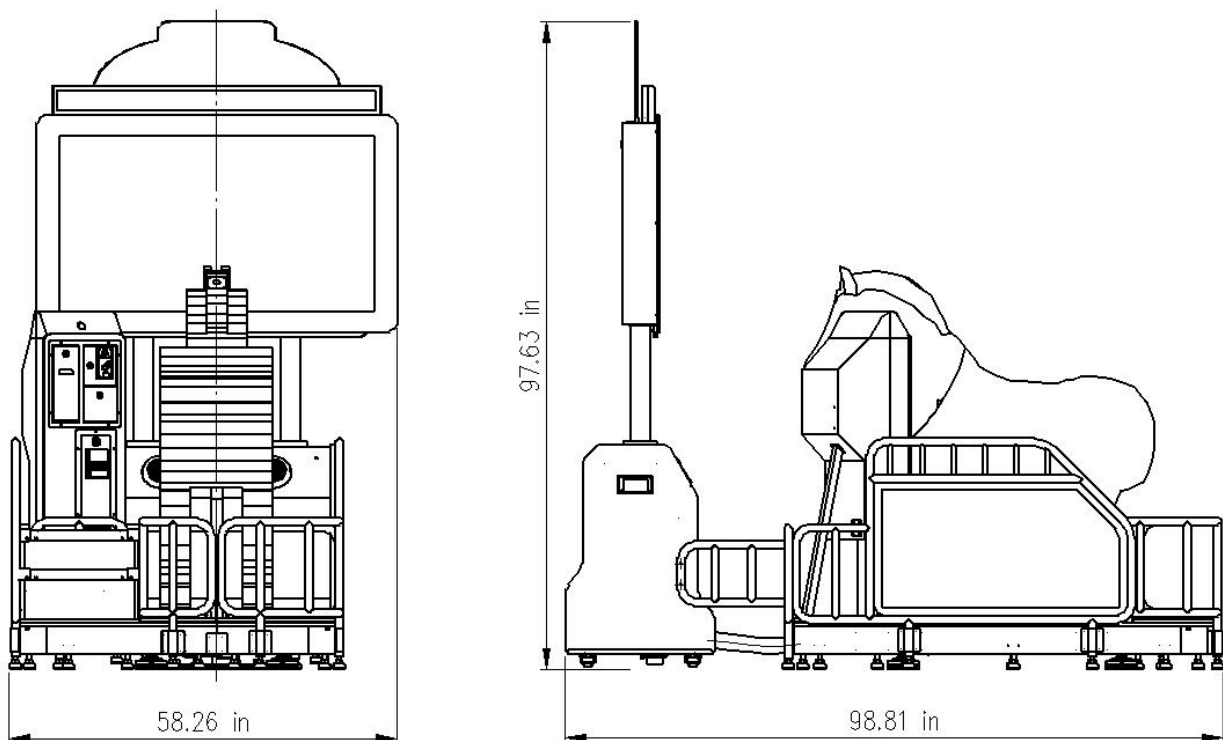
Dimension: W58.26×D98.81×H97.63 in

Weight: Approximately 903.89 lb

Part No: D134

Model No: C-470

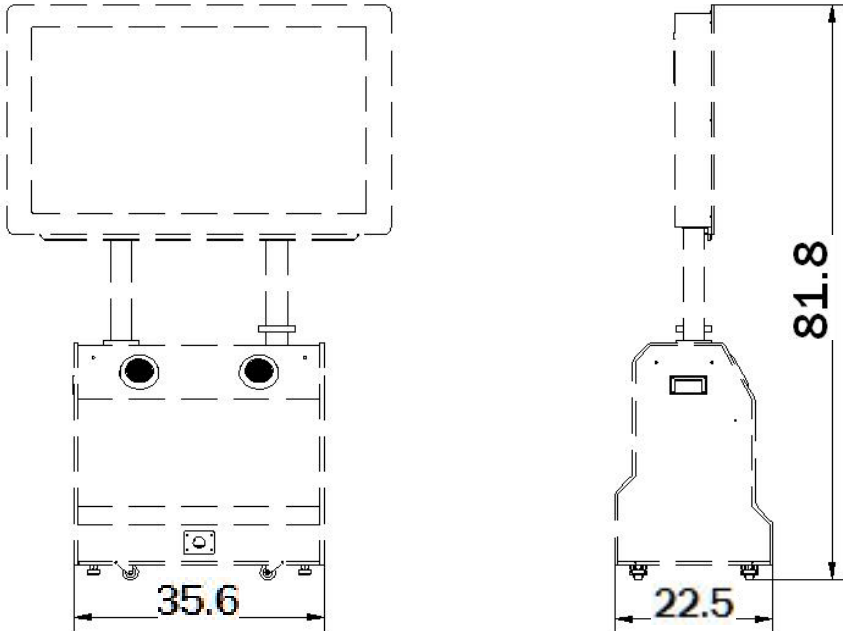
 **NOTICE:** After turning off the game, please wait at least 1 minute before restarting again.



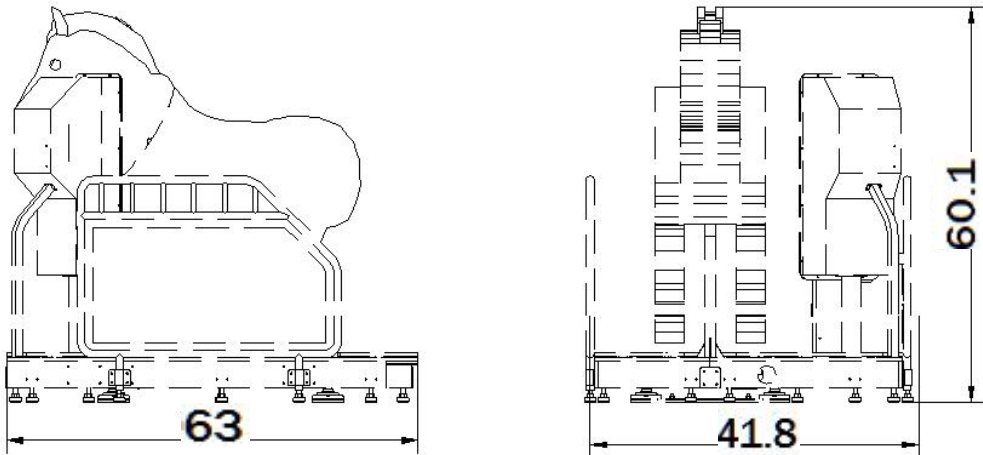
**Note:** Game parameters are subject to change without notice.

This machine will be divided into two parts during transportation.

Part 1 : W35.6×D22.5×H81.8 in





Part 2: W41.8×D63×H60.1 in



## 2. PACKAGE CONTENTS

Open the package and make sure all the items are included:

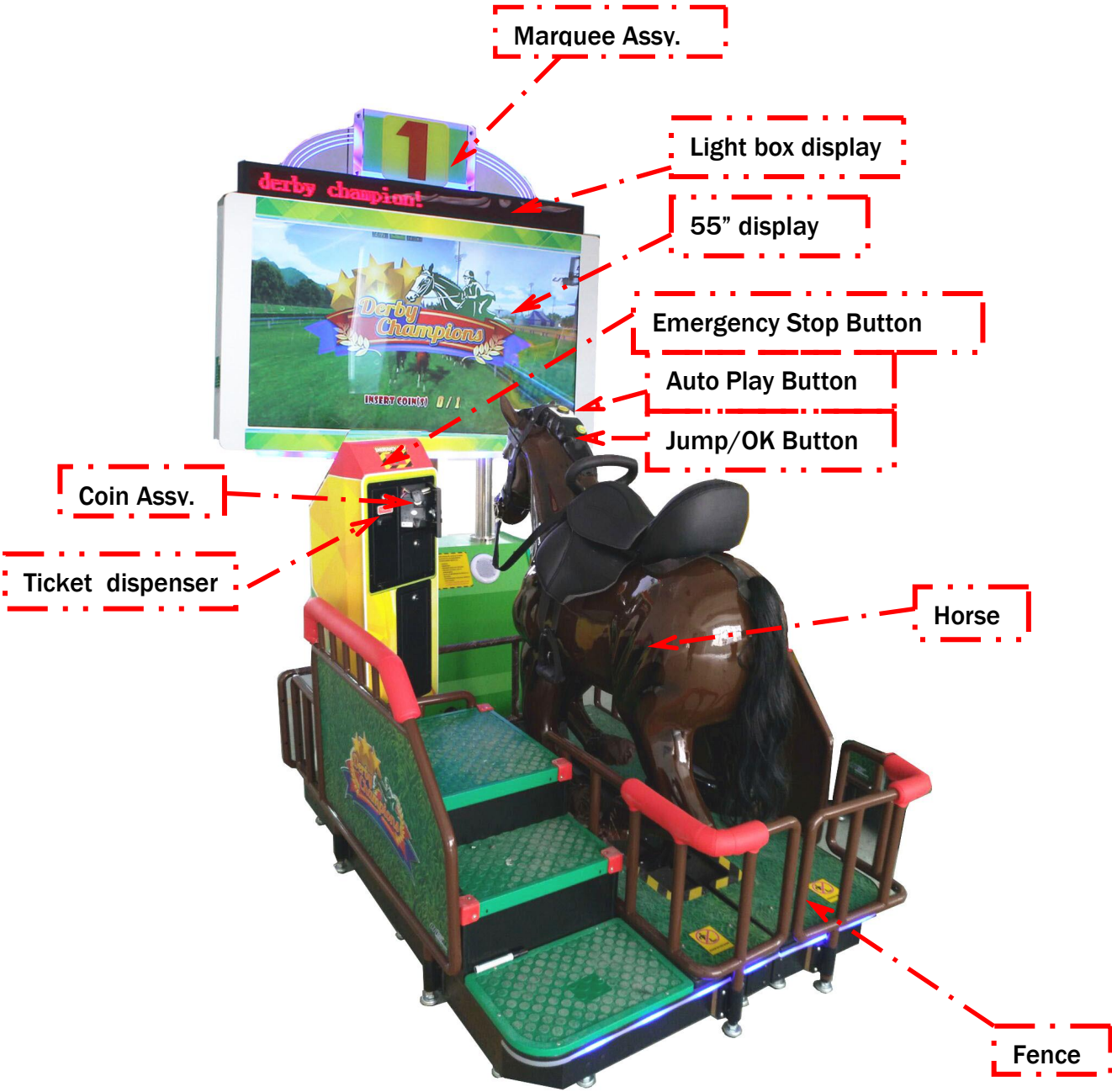
### 1. Following accessories

No.	Part No.	Code	Name	Qty	Picture
1	D134-802-000	25300171002	Key	2	
2	D134-803-000	25300172002	Key	2	
3	D134-805-000	23301010020	Power cord 3×16AWG 1.8M	1	
4	D134-801-000	21901000012	Fuse T5A 250VAC	1	
5	D134-804-000	41440000202	Manual	1	
6	D134-238-000	20250841076	Wrench	1	
7	D134-427-000	40607000012	L type wrench	1	
8	D134-428-000	40613160028	Open end wrench	1	
9	D134-429-000	22604000039	Micro SW	2	
10	D134-806-000	23302000012	Network cable	1	For 1-4 machines
11	D134-807-000	21301000006	Router	1	For 2-4 machines
12	D134-292-000	20251507D030	Blank door	1	
13	D134-494-000	21901000059	Fuse	1	

**NOTE:** Part models are subject to change without notice.



### 3. PART NAME



## 4. SET UP & INSTALLATION

### ! NOTICE

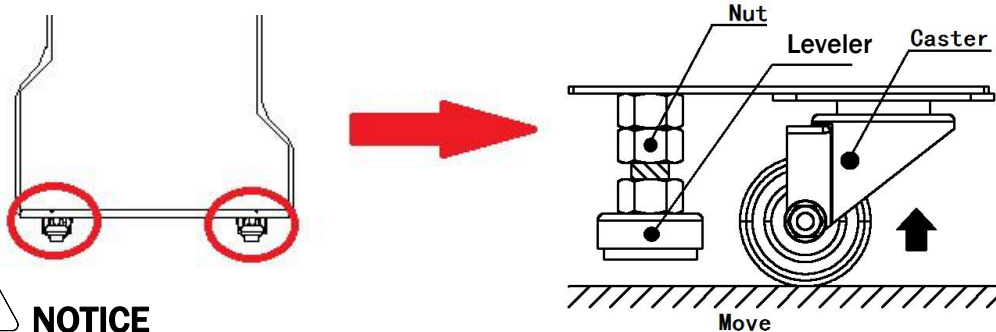
We do not recommend using power tools as they may cause damage.

! **This product is an indoor game machine. Do not install outdoors.**

- Refer to IMPORTANT SAFETY INSTRUCTIONS (Pg. 3) for places to avoid
- Place the unit on a dry level surface
- Ventilation openings in the back of the unit must not be obstructed by objects or by wall.

### 4.1 Transporting the Game

If you need to move the game, adjust the levelers back to an “up” position.



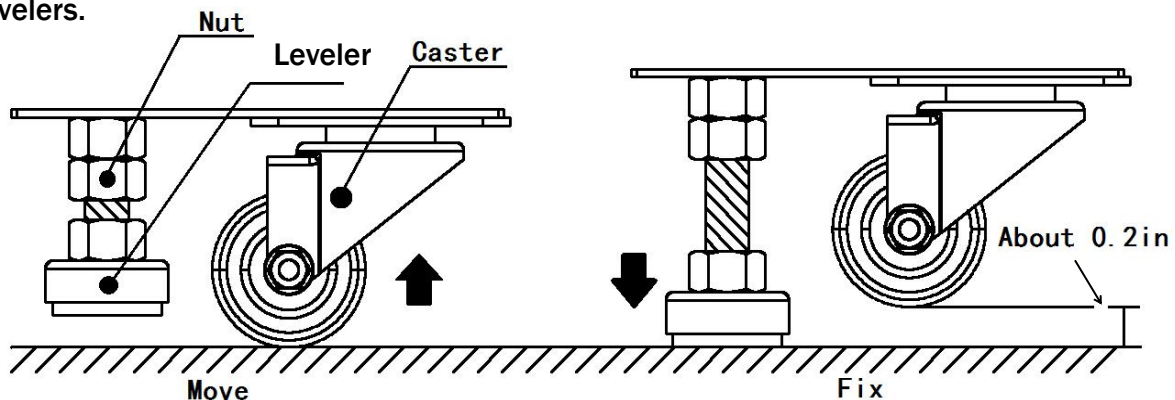
### ! NOTICE

- Be careful not to damage the machine during transport.
- Always unplug the game before moving.
- Keep the machine in upright position during transport.
- For longer distance transport, package the game properly to prevent damages.

### 4.2 Level Adjustment

Install this game on a flat surface. If the game is installed on an unsuitable floor, it could cause game malfunction.

To secure the game, loosen the nut, utilize wrench to adjust the leveler down until it touches the floor, lifting the casters off the ground by 0.2 in. Repeat the same for all levelers.



### ! NOTICE

Make sure the machine is level.

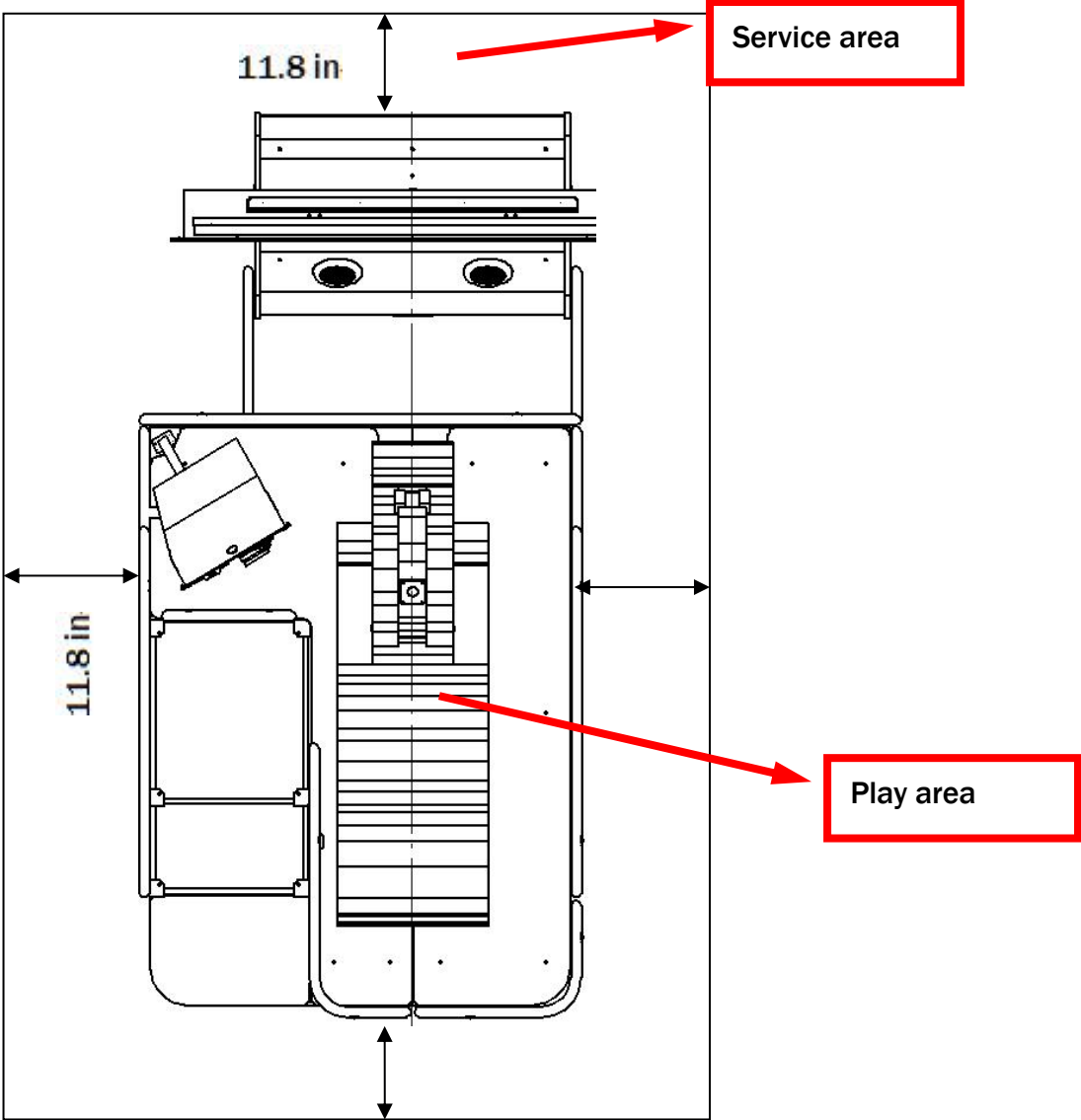
### 4.3 Play Zone

This machine requires space for playing and for maintenance as shown below.

Leave space around the game upon installation:



Service area: 11.8 in

Play area: 11.8 in



## 4.4 Installation

Before processing with assembly assure you have the following tools.

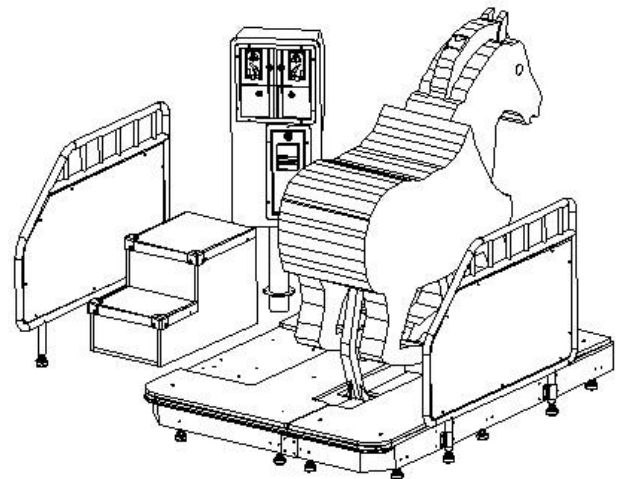
No.	Name	Picture
1	Allen hexagon wrench	
2	Cross screwdriver	

### 4.4.1 Install the platform


No.	Part No.	Code No.	Name	Picture	Qty
1	D134-313-000	20101010013	Hexagon flat round head screws		14

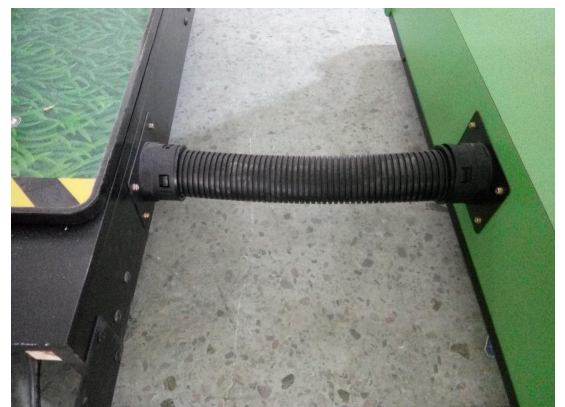
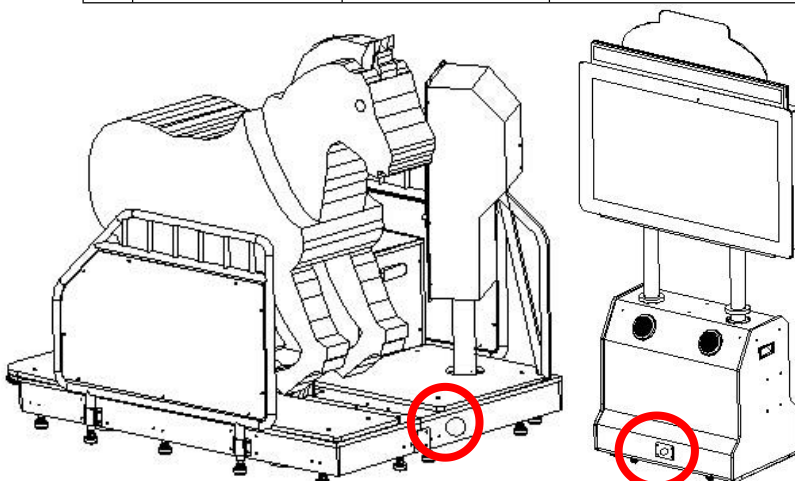
**Step 1** Place the cabinet on the flat space. Connect the wiring. Connect the metal plate.

**Step 2** Put the staircase and coin mech. on the LEFT side of the cabinet.



### 4.4.2 Connection


No.	Part No.	Code No.	Name	Picture	Qty
1	D134-392-000	20101010006	Hexagon flat round head screws		8

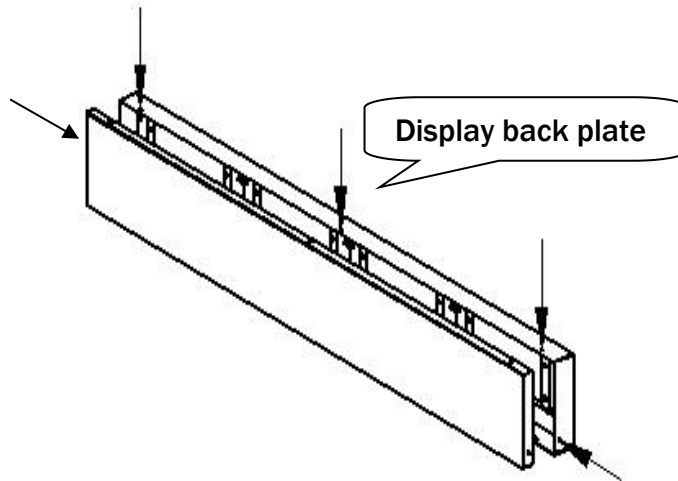


- Place the monitor in front of the horse head, make sure the centerline of the horse meet the centerline of the monitor, as shown in the picture.
- Put the staircase and coin mech. on the LEFT side of the cabinet.


4.4.3 Marquee installation

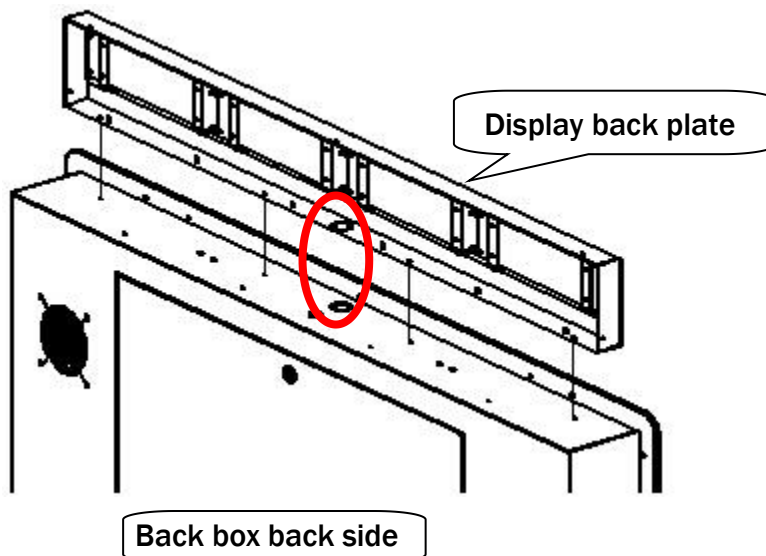
**Step 1** Remove the display back plate.

No.	Part No.	Code No.	Name	Picture	Qty
1	D134-340-000	20101018001	Hexagon flat round head screws		5




**Step 2** Connect the wiring in red area and install the frame of the display back plate to the top with 4 screws.

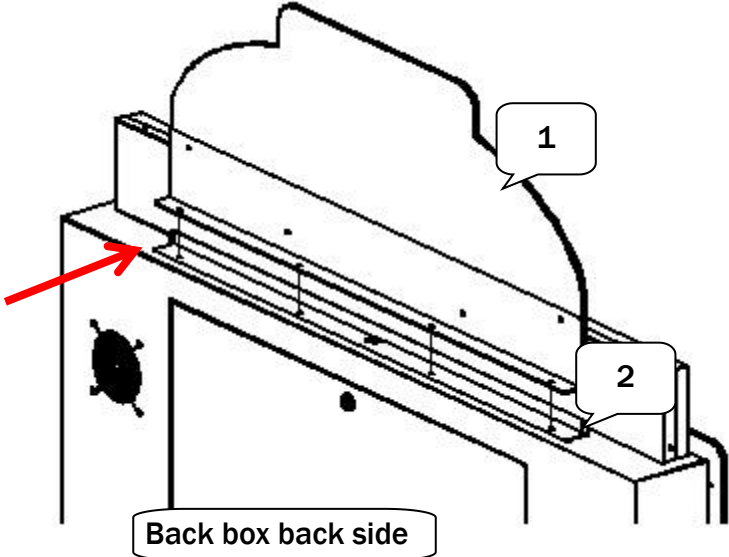
No.	Part No.	Code No.	Name	Picture	Qty
1	D134-330-000	20101020034	Cross recessed pan head screw		4



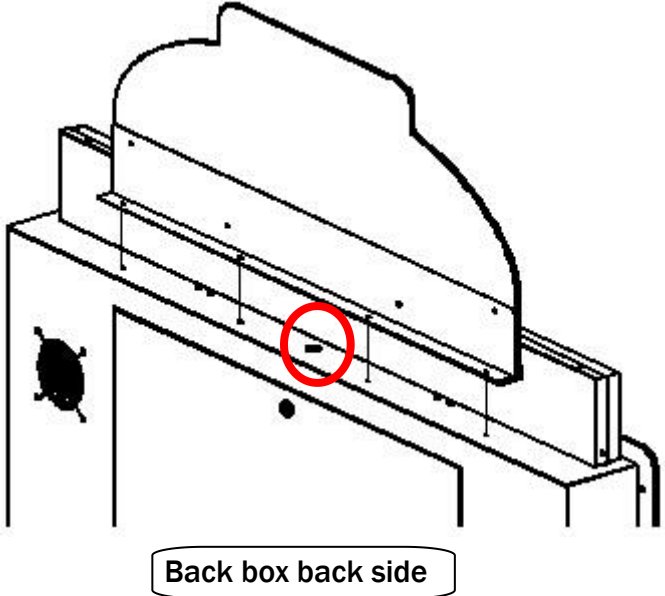


**Step 3** Install part 1 with the screws on the part 2.


No.	Part No.	Code No.	Name	Picture	Qty
1	D134-330-000	20101020034	Cross recessed pan head screw		4




Please check the wiring in red area and make sure it is connected properly.



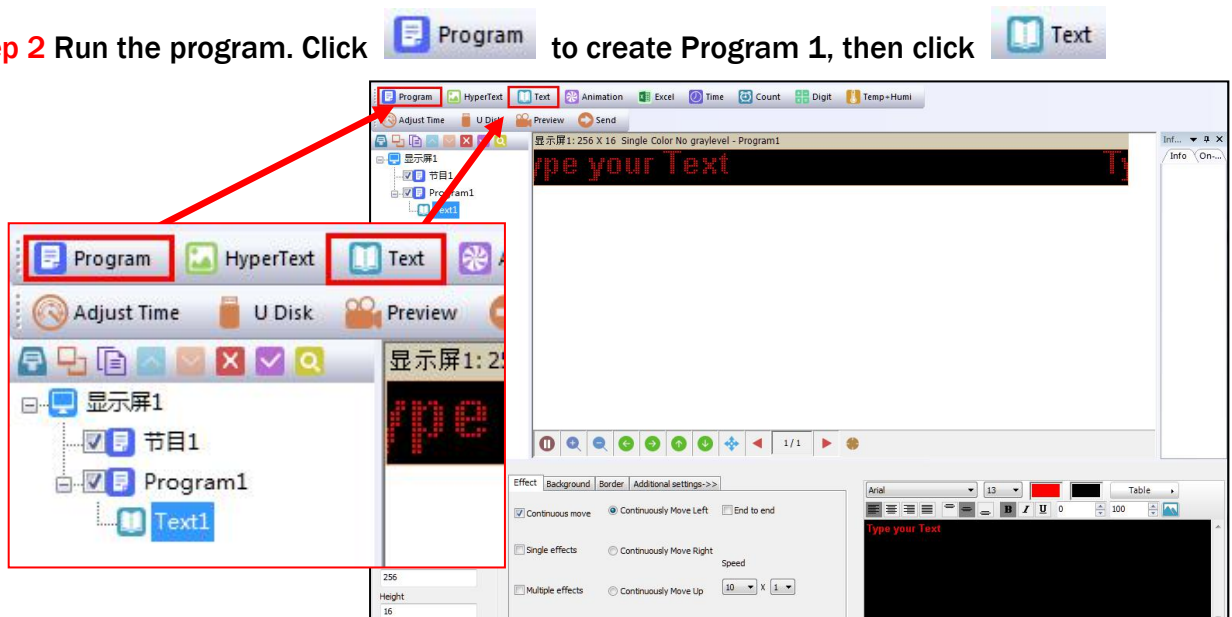
## 4.5 LED Display Edit Instruction

For (D134-452-001) light box display, texts can be edited on the light box LED display. Please contact International Support Center or USA Support Center to get the program (  HD2016\_V6.1.7.exe ).

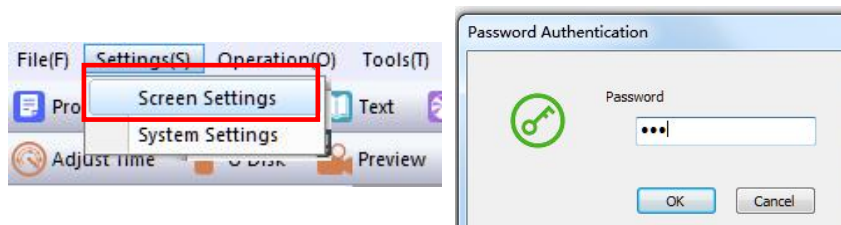
Steps to program text for LED display:

**Step 1** Copy the file  HD2016\_V6.1.7.exe to a PC (not the pc in the machine). Insert a Recovery stick to the PC.

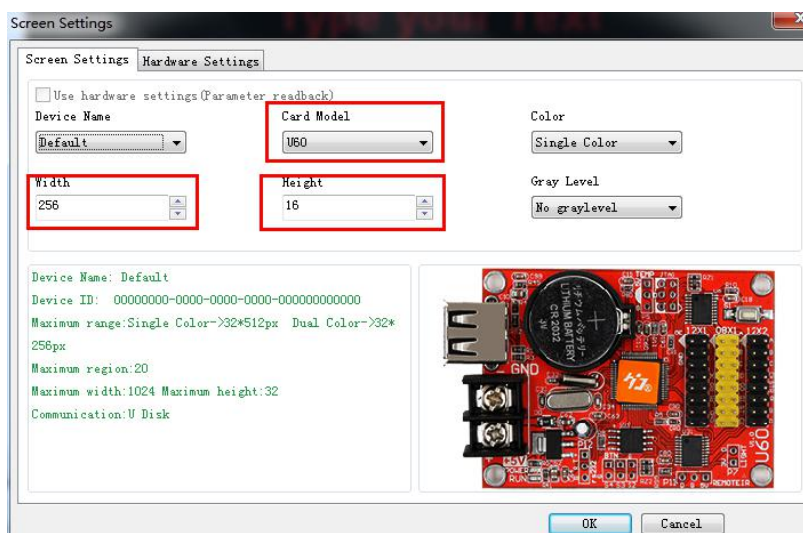
**Step 2** Run the program. Click  Program to create Program 1, then click  Text



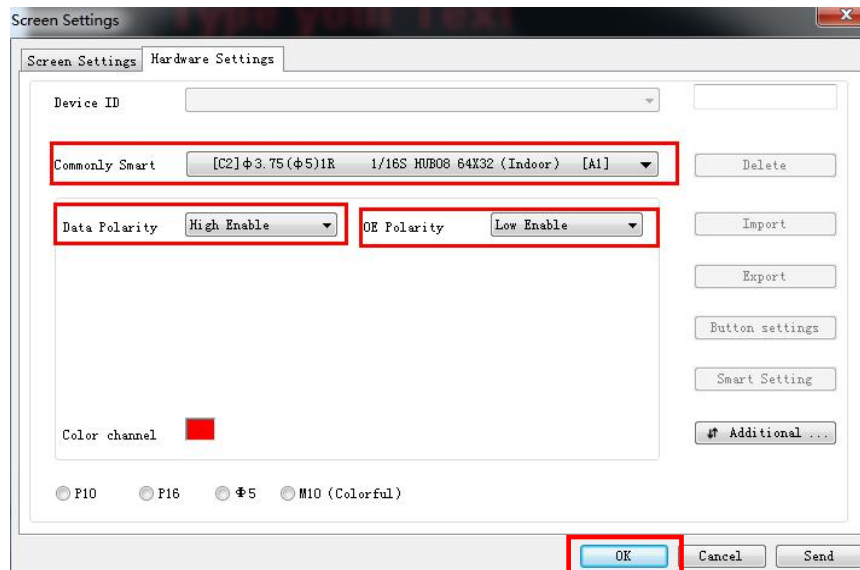
**Step 3** Click Settings → Screen Settings → Password:168



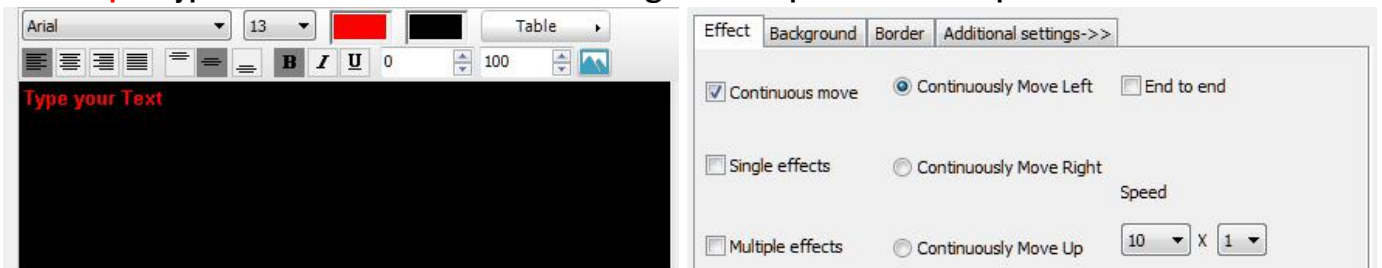
**Step 4** Screen Settings → Card Model:U60 → Width:256 → Height:16



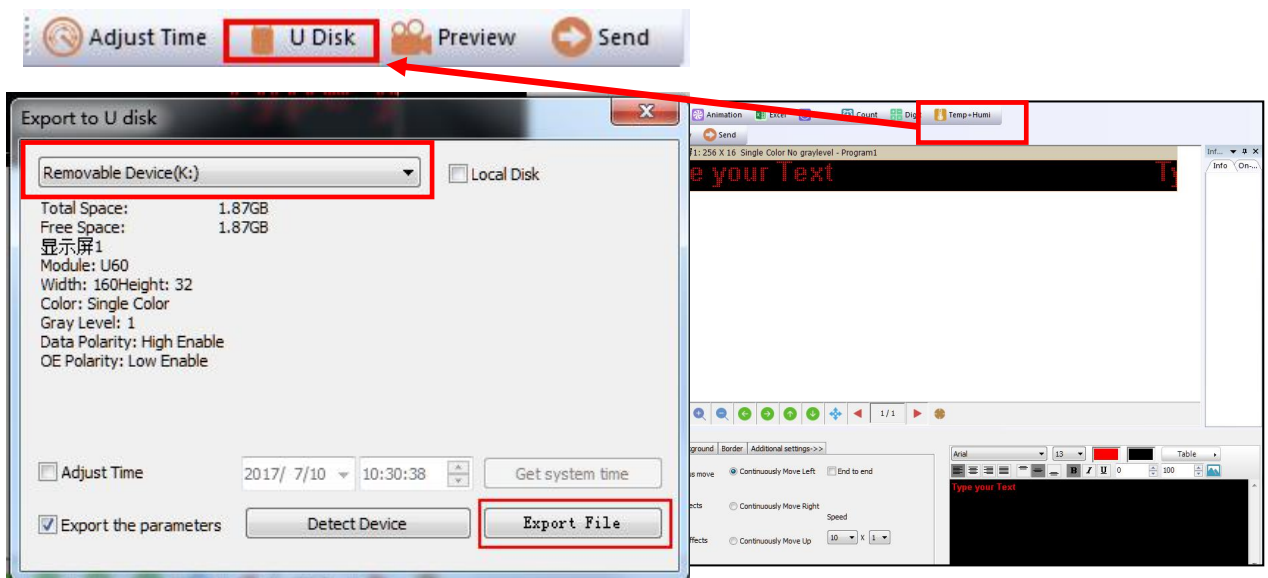
**Step 5** Screen Settings → Hardware Settings → Commonly Smart:[C2] → Date Polarity: High Enable → OE Polarity: Low Enable → OK



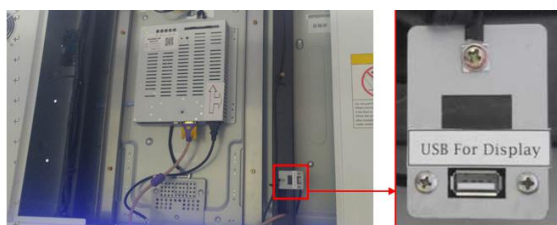
**Step 6** Type the text. Set the effect or background as per location required.



**Step 7** Click  U Disk → choose the inserted U disk → export file → remove the stick.



**Step 8** Unlock the back plate of the display and insert the Recovery stick on a power-on machine. The text will upload to the display automatically for a few seconds. Remove the Recovery stick when the new text showing on the display.



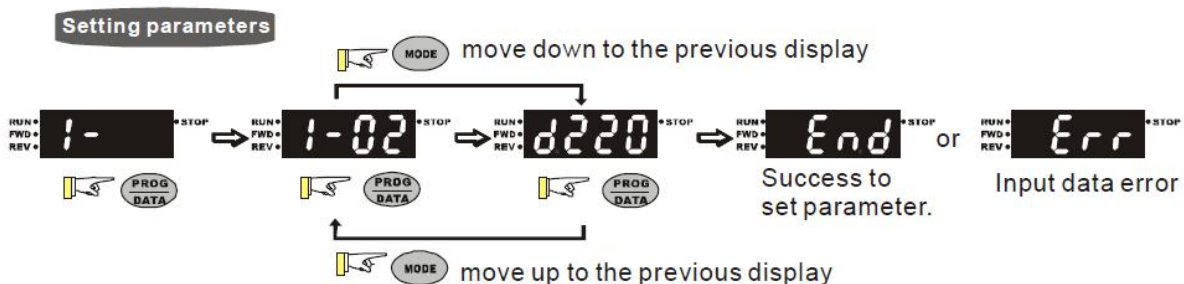


## 4.6 Transducer parameter setting

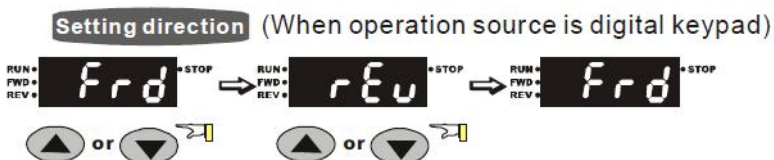
### 1. How to operate the keypad



Note : In the selection mode, press to set the parameters.



NOTE :In the parameter setting mode, you can press to return the selecting mode.



### 2. Parameter setting (Model:VFD007S11A)

Parameter	Settings
1-08	0
1-09	0.2
1-10	0.2
1-15	d1
2-01	d1
4-04	d1
4-05	d7
4-06	d8

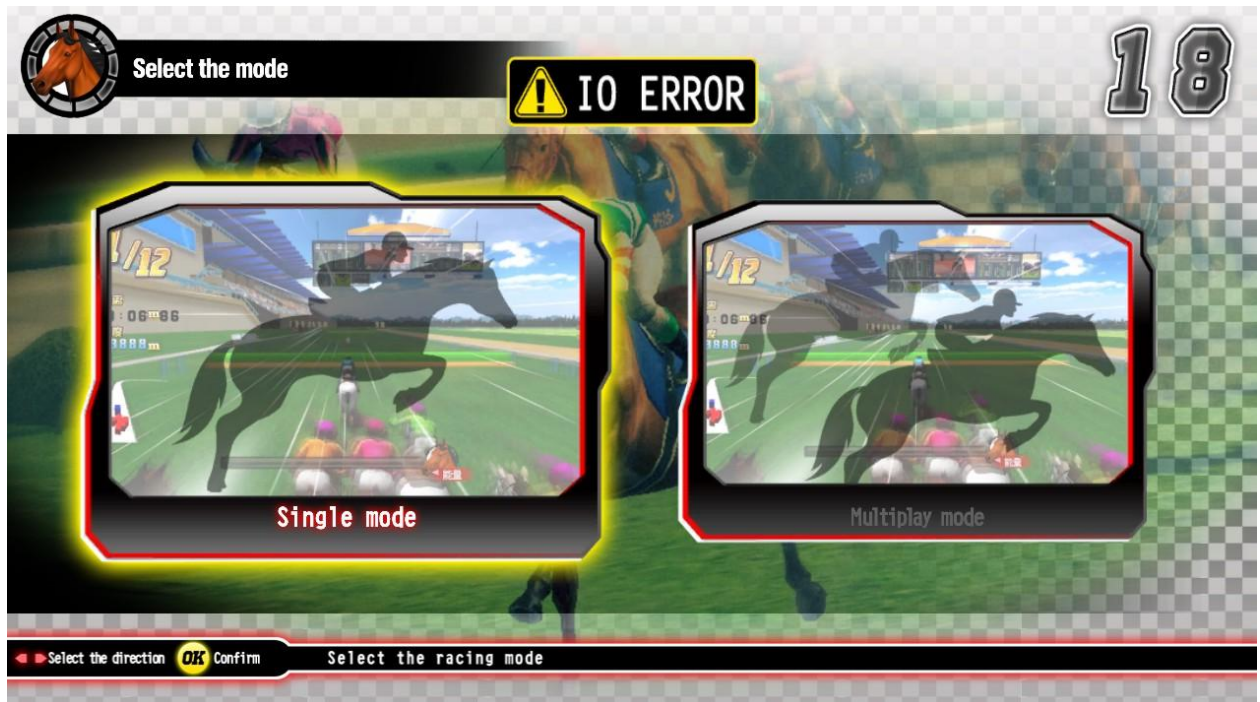
Parameter	Settings
4-07	d9
4-08	d0
5-00	35
5-01	40
5-02	45
5-03	50
5-04	55
5-05	60
5-06	65

## 5. HOW TO PLAY



## 5.1 Select mode

- Single mode
- Multi-play mode



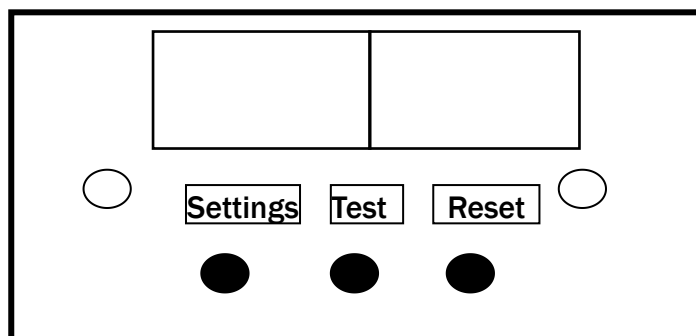
## 5.2 Select racing track

- Grassland racing track
- Desert racing track
- Snowfield racing track



## 6. GAME OPTION

### 6.1 Adjustment button instruction



Open the coin door and there is a meter panel. Press test button to get into the setting menu.

### 6.2 Setting menu

#### 6.2.1 Main Menu

Basic Setting
Customized Setting
Input Test
Output Test
Game Reset
Date/Time Setting
Langue/语言
Book Keeping
Daily Record
About This Game
Back To Game

#### 6.2.2 Basic Setting

Free Play	OFF/ON
Tickets Out	OFF/ON
Demo Music	OFF/ON
Memory Save	OFF/ON
Volume	1-10
Game Time	60/90/120/150
Coins Per Game	0-200
Out Of Tickets	Store in memory
Back & Save	
Back	

#### 6.2.3 Customized Setting

Fixed Ticket	0-99
Divided by 2	OFF/ON
PC Number	0-10
Horse color	White/Brown
First Tickets	0-99
Second Tickets	0-99
Third Tickets	0-99
Mercy Ticket	0-99
Player mode	Single
Computer select	OFF/ON
Link Machine	2~6
Back & Save	
Back	

### 6.2.4 Input Test

Coin 1	OFF/ON
Button Left	OFF/ON
Button Right	OFF/ON
Button Stop	OFF/ON
Button Ok	OFF/ON
Button AutoPlay	OFF/ON
Chair Button 1	OFF/ON
Chair Button 1	OFF/ON
Run Motor Sensor	OFF/ON
Jump Motor Sensor	OFF/ON
Floor Button 1	OFF/ON
Floor Button 2	OFF/ON
Back	

### 6.2.5 Output Test

Ticket Driver
OK Button Light
Horse Jump
Motor Driver
Back

### 6.2.6 Game Reset

Factory Restore	Cancel/Reset
Reset Basic Setting	Cancel/Reset
Reset Customized Setting	Cancel/Reset
Clear All Records	Cancel/Clear
Clear Owed Ticket	Cancel/Clear
Clear Unused Coin	Cancel/Clear
Back	

### 6.2.7 Date/Time Setting

Year	2010-2100
Month	1-12
Day	1-31
Hour(24)	0-23
Minute	0-59
Second	0-59
Back & Save	
Back	

### 6.2.10 About This Game

CPU	/
Main Board	/
HDD	/
RAM	/
Monitor	/
Screen	/
Version	Derby Champions V1.06

### 6.2.8 Bookkeeping

Player1	Coins	Tickets	Payout
1	0	0	0.00
Back			

### 6.2.9 Daily Record

Date	Weekday	RunTime	Coins	Tickets	Payout
2014-06-06	Fri	00:01	0	0	0.00
Prev. Page Next Page Clear Back					



## 7. ERROR MESSAGE AND RECOVERY

### 7.1 Common Problem



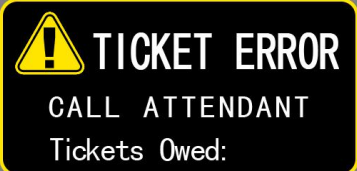
Please confirm whether every connector connected tightly.

Symptom	Possible Cause	Recommended action
Game will not start	Frame assembly connector is loose.	Plug the connector tightly.
	Frame assembly fault	Contact with UNIS Service.
Power cutting	Circuit protector make power SW in cutting state	Turn on power SW again. If appeared again and again, machine has anomaly. Please contact with UNIS Service.
Game will not coin up	Coin mech. fault or sample coin not installed.	Change coin mech. or sample coin.
	Coin mech. signal cable loose.	Check coin mech. signal cable loose.
	IO control board no signal.	Change IO board.
No ticket dispensing	Out of ticket.	Add ticket and press reset button
	Ticket jamming.	Remove the jammed tickets and press reset button.
	Wrong connection.	Check the connections.
No sound	Volume set too low.	Raise the volume.
	Connector loose.	Plug in connector tightly.
	PCB fault.	Change PCB.
	Speaker fault.	Change speaker.
	POT installation error.	Install POT correctly.
	POT fault.	Change POT.
	Audio cable problem.	Reconnect the audio cable or change it.
	PC crash.	Restart or system recovery.
Display black screen	Driver problem	Restart the audio driver.
	Check connectors.	Plug in connector tightly
	Display fault.	Vitalize another source such as a PC to verify if the display is operational.
Display blue screen	RAM is loose.	Pull it out and insert it again or change main board or RAM.
	PC power cord is loose	Check PC power cord whether is loose.
	VGA signal cable is loose.	Check VGA cable
	PC video card is loose.	Reseat video card.
	PC into protection	Open front cover, if power on, light flash all the time. Press power button 30s, then restart.
	“0X000000A” code appears. Conflict between computer drive and software.	Uninstall or disable the new drivers or software.

Symptom	Possible Cause	Recommended action
Display blue screen when playing	Software problem.	Update the driver of the video card or reinstall the system.
	Hardware problem.	Check the hardware one by one.
Playing normal, but appear system halted	Video card is loose or poor contact	Plug video card again.
	PC crash	Restart or system recovery
Display abnormal color	Bad connection between the video card and the display video cable.	Reconnect the video card and the display video cable.
	Video card driver problem.	Restart the video driver.
Display can not show the whole desktop.	Screen resolution problem.	For WIN 7, right-click in the blank space at the desktop —Click “screen resolution” —Click “change the appearance of the display” to adjust the screen resolution.
Bouncing motion of the display	Screen resolution problem.	—Click “screen resolution” —Click “change the appearance of the display” to adjust the screen refresh rate.
No response in BIOS	Battery is loose.	Reinstall the battery of the main board and restart the game or change the main board.
	Main board fault.	
Fail to save the BIOS setting	Battery fault.	Change the battery of the main board.
PC restart or crash repeatedly	Poor heat dissipation	Add silicon on the cooling fin.
		Check or change the CPU fan if needed.
	RAM or main board fault.	Change the RAM or change the main board.
	Power source problem.	Change the power source.
Fail to install the driver	Driver fault.	Download “Driver Genius” or something similar and try again.
CPU fan off and on.	Main board fault.	Change the main board.
Slow computer start-up times after reinstalling the system.	Hard disk problem.	Please let the PC automatically run the software, or change the hard disk.

**Note: After replacing component from pc (except for RAM), and replacing monitor, the game should be recovered again with the recovery stick attached to the machine.**

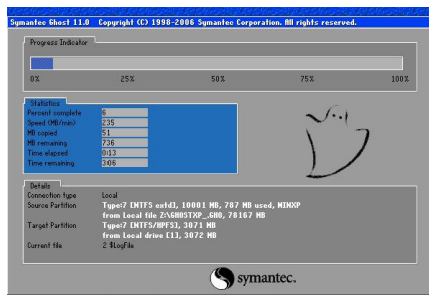
If you see following error signs showing on the display, please try the recommended action.

Display	Possible Cause	Recommended action
	The connection part of the IO board and PC are loose.	Check and reconnect the loose ports of the PC or IO board.
	Cable quality problem	Change the cable after checking the connection between IO board and PC.
	Cable became loose during transportation.	Check and reconnect the loose cables of the PC or IO board.
	IO board is faulty.	Reboot the game after checking connection and cable problem, if the problem remains unresolved, please call the service department for assistance.
	The network cable is loose.	Reconnect the network cable.
	The power supply problem of the Ethernet switch.	Check if the power supply of the Ethernet switch works well.
	Out of ticket.	Refill ticket
	Loose connection of the ticket dispenser's cables.	Check and reconnect the loose ports of ticket dispenser.
	Ticket dispenser broken.	Change the ticket dispenser.
	Tickets jam.	Clean up the blocked tickets.



## 7.2 System Recovery Operation (NOTE: Do not disconnect power during this process.)

1. Turn off the game. Remove the recovery stick from the machine. (Note: This process may take up to 60 minutes) Insert the recovery stick into the port at the back of the computer.
2. Restart PC to enter the system recovery screen as shown.



3. The game will automatically start recovery.
4. Once system recovery is partially finished (as shown below), and the ICON appears, remove the recovery stick from the computer. The game will continue the install process.

OK to remove the recovery stick.



5. Assure that the recovery stick has been properly secured for future use.



**WARNING:** The recovery stick should only be used to fix software errors. Using it for other purposes may cause unexpected results and damages.

## 8. MAINTENANCE & INSPECTION

### 8.1 Safety Check

Check the points listed before operating the machine. These checks are necessary for safe machine operation:

1. Test game before operation each day.
2. Conduct monthly routine checks of game components ensure good working condition
3. Check the machine regularly for dust and clean when necessary.

**Note:** Parts and components require preventative maintenance to maintain proper operation.

### 8.2 Handling Precautions

When installing or inspecting the machine, be very careful of the following points and pay attention to ensure that the player can enjoy the game safely.

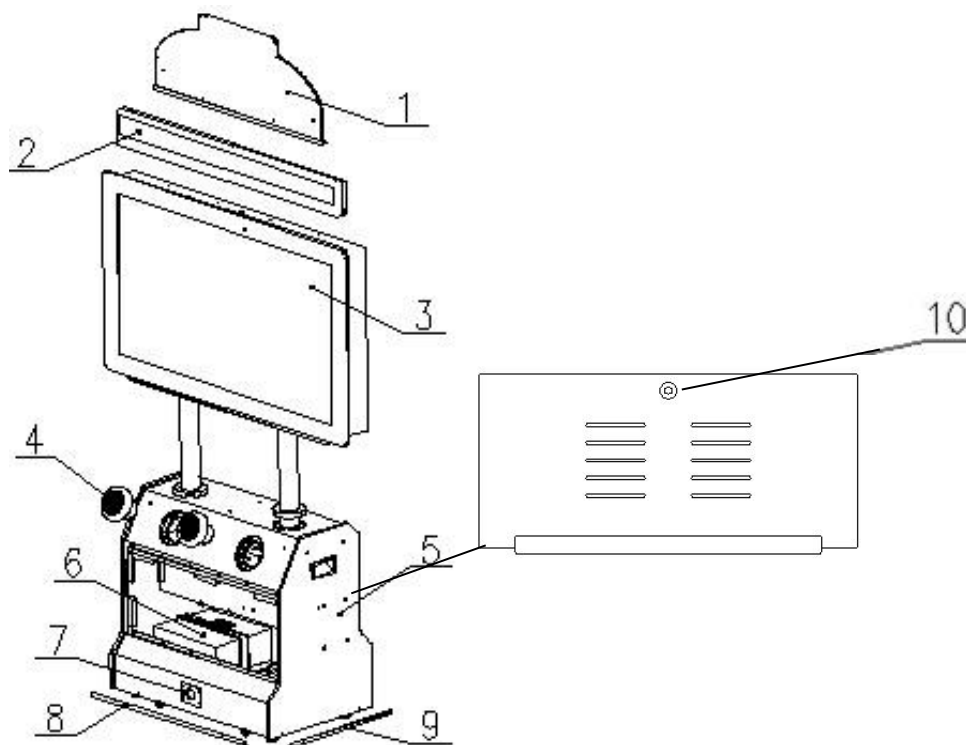
Non-compliance with the following points or inappropriate handling running counter to the cautionary matters herein stated can cause personal injury or damage to the machine

 **NOTICE**

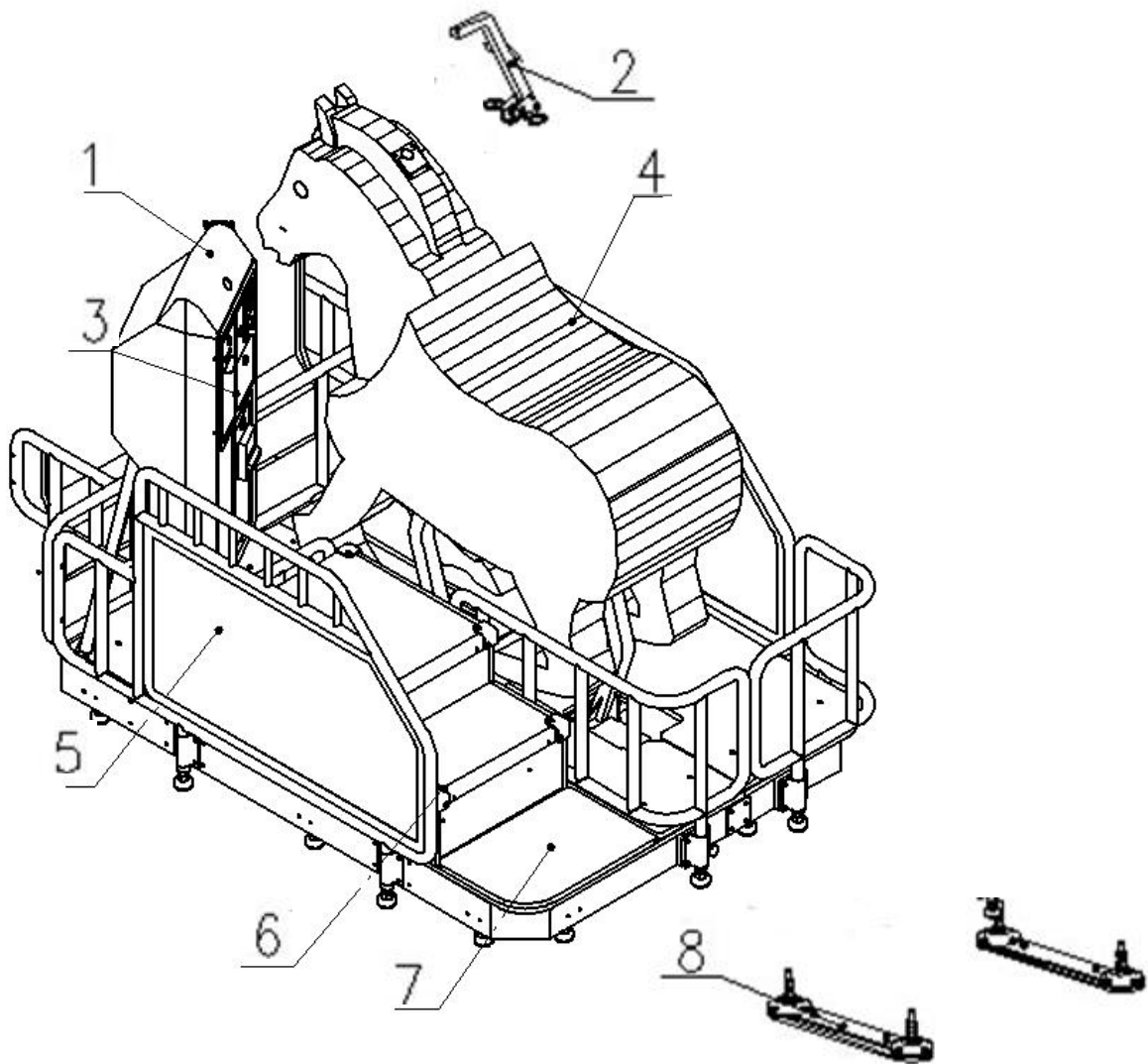
We do not recommend using power tools as they may cause damage.

## 9. OVERALL CONSTRUCTION

### 9.1 General Assembly

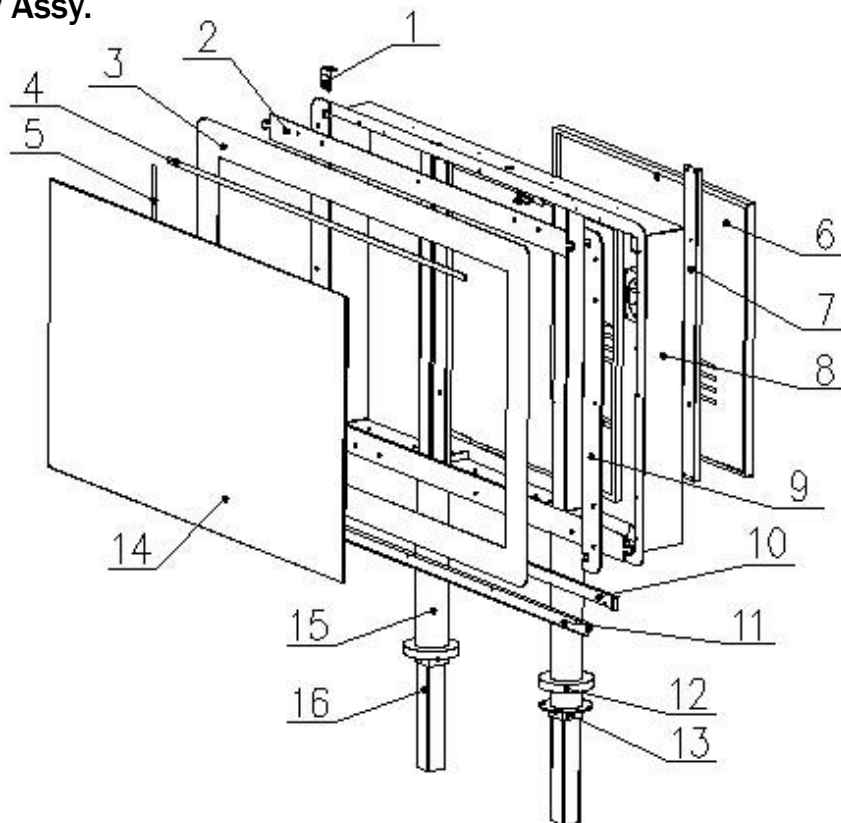


No.	Part No.	Code No.	Name	Qty
1	D134-001-000	29951507005	Marquee Assy.	1
2	D134-002-001	29951507D010	Array Frame Assy.	1
3	D134-003-000	29951507002	Display Assy.	1
4	D134-321-000	20101010036	Cross recessed pan head screw suite	4
	D134-322-000	20101100161	Hexagon flat round head screws	4
5	D134-004-000	29951507D006	Wooden Box Assy.	1
6	D134-005-000	29951507D011	PC Assy.	1
7	D134-182-000	20251507008	Line pipe fixed plate	2
8	D134-201-000	20251507007	Fence B	2
9	D134-180-000	20251507006	Fence A	2
10	D134-536-001	20351507046	Wood box back door	1
	D134-404-000	25300171001	Lock	1



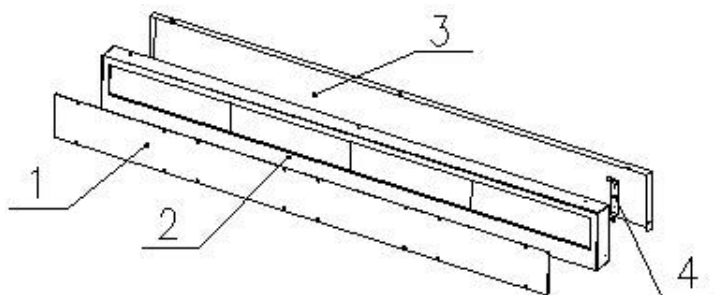
No.	Part No.	Code No.	Name	Qty
1	D134-115-000	20251507D012	Stop button base	1
	D134-345-000	20103010018	Cross recessed pan head self-tapping screw	57
2	D134-006-000	29951507009	Horse Nose Assy.	1
3	D134-007-000	29951507D003	Coin Mech. Assy.	1
4	D134-008-000	29951507E001	Horse Assy.	1
	D134-009-000	29951507012	Horse Belly Assy.	1
5	D134-010-000	29951507D008	Fence Assy.	1
6	D134-011-000	29951507D001	Stair Assy.	1
7	D134-012-000	29951507D004	Pedal Assy.	1
8	D134-013-000	29951507010	Cabinet base Assy.	1

### 9.3 Display Assy.



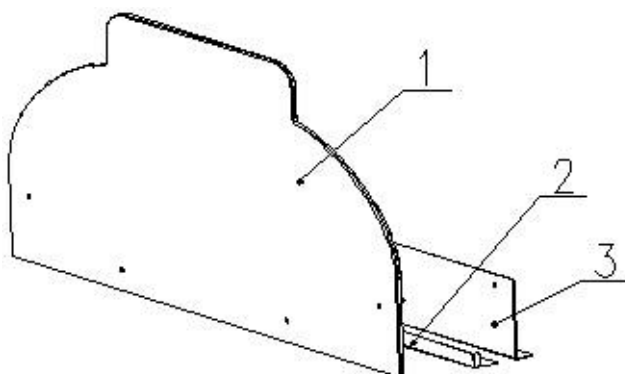
No.	Part No.	Code No.	Name	Qty
1	D134-162-000	20251507046	Display fender	4
	D134-334-000	20102100011	Hexagon flange nut	8
2	D134-159-000	20651507012	Display up & down baffle	2
3	D134-157-000	20251507010	Display front board	1
4	D134-158-000	20651507013	Display up & down pressing strip	2
5	D134-160-000	20651507014	Display L&R pressing strip	2
6	D134-530-001	20351507047	Display back cover	1
7	D134-164-001	20251507045A	Display fixed board	2
	D134-335-000	20101000040	Cross recessed pan head screw suite	8
8	D134-163-000	20251507009	Display back frame	1
9	D134-161-000	20651507011	Display L&R baffle	2
10	D134-165-000	20251507011	Lighting board fixed plate	1
11	D134-166-000	20651507004	Display lighting board	1
12	D134-168-000	20251507058	Decorative cover	2
13	D134-169-000	20251507013	Down fixed disk	2
14	D134-156-000	20651507003	Display protect board	1
15	D134-167-000	20251507060	Decorative pipe	2
16	D134-170-000	20251507012	Fixed rod	2

### 9.4 Array Frame Assy.



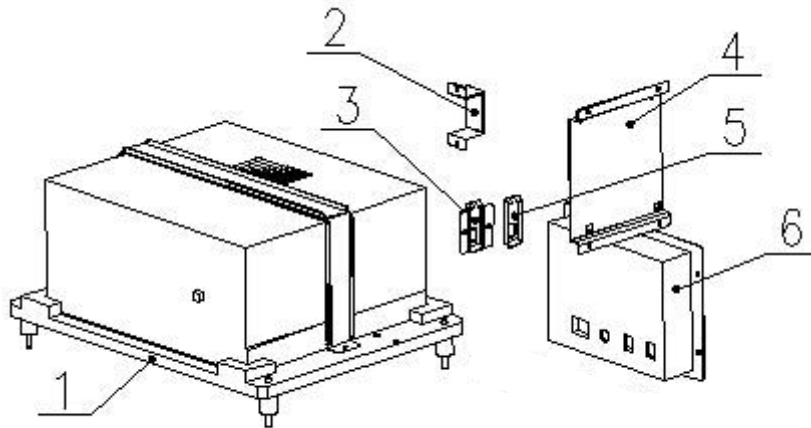
No.	Part No.	Code No.	Name	Qty
1	D134-296-000	20651507D015	Array transparent board	1
2	D134-293-000	20251507D031	Array frame	1
3	D134-297-000	20251507D032	Array frame cover	1
	D134-340-000	20101018001	Hexagon flat round head screws	5
4	D134-294-000	20251507D034	Array fixed plate A	5
	D134-295-000	20251507D035	Array fixed plate B	1
	D134-341-000	20102000010	Hexagon flange nut	16
	D134-342-000	20102000011	Hexagon flange nut	16

### 9.5 Marquee Assy.



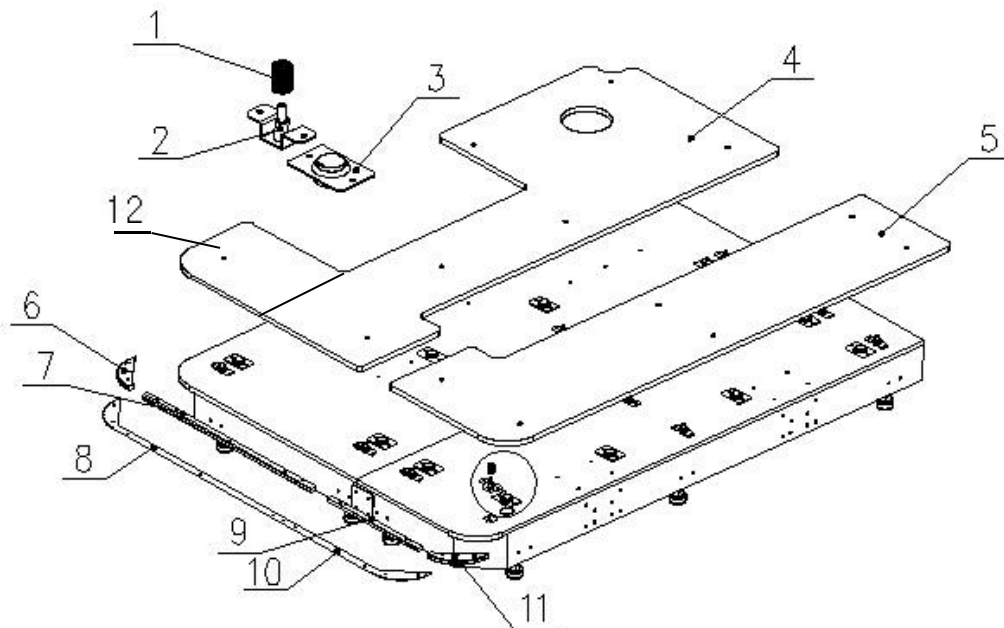
No.	Part No.	Code No.	Name	Qty
1	D134-709-000	20551507001	Marquee decal	1
2	D134-171-000	20251507016	Marquee front fixed plate	1
	D134-172-000	20251507017	Marquee back fixed plate	1
3	D134-338-000	20104000016	Big step bolt	4
	D134-339-000	20102000037	Cap nut	4

9.6 PC Assy.



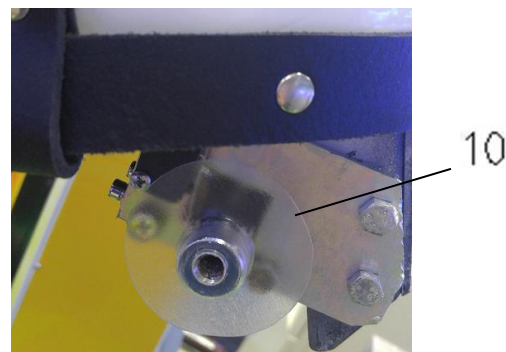
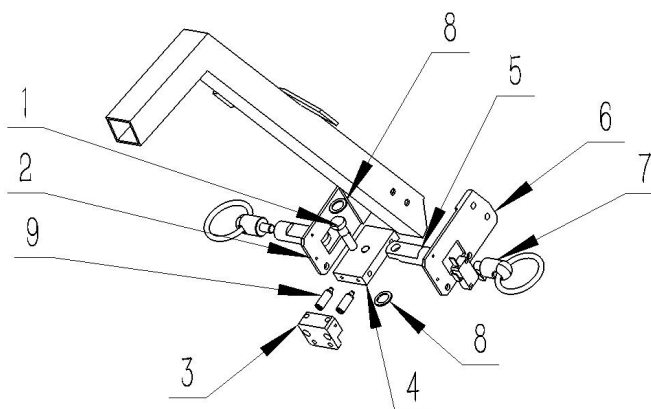
No.	Part No.	Code No.	Name	Qty
1	D134-545-000	20351507002	PC bed board	1
	D134-283-000	26000012000	Damping screw A	4
	D134-383-000	20102030012	Hexagon flange nut	4
2	D134-197-000	20251507050	Power box pressing plate	1
3	D134-284-000	26000055000	Dongle holder	1
	D134-445-000	21107020036	Dongle	1
4	D134-278-000	26000061000	PC power fixed support	1
5	D134-282-000	26000064000	U disk fixed plate	1
	D134-478-000	41300000005	U disk	1
6	D134-448-000	21602000001	Power box	1

9.7 Pedal Assy.



No.	Part No.	Code No.	Name	Qty
1	D134-140-000	20251507004	Pedal spring	13
2	D134-139-000	20251507001	Spring base	13
3	D134-141-000	20251507051	Button board	9
	D134-451-000	22401000081	Orange button	13
4	D134-511-000	20351507D015	L stop pedal	1
5	D134-510-000	20351507D014	R stop pedal	1
6	D134-150-000	20651507008	Base lighting board D	1
7	D134-151-000	20651507005	Base lighting board A	1
8	D134-148-000	20251507019	Lighting board pressing plate B	1
9	D134-152-000	20651507006	Base lighting board B	1
10	D134-149-000	20251507018	Lighting board pressing plate A	1
11	D134-153-000	20651507007	Base lighting board C	1
12	D134-286-000	20251507D028	Antiskid pressing plate	1
	D134-287-000	20651507D012	Antiskid pressing plate C	1

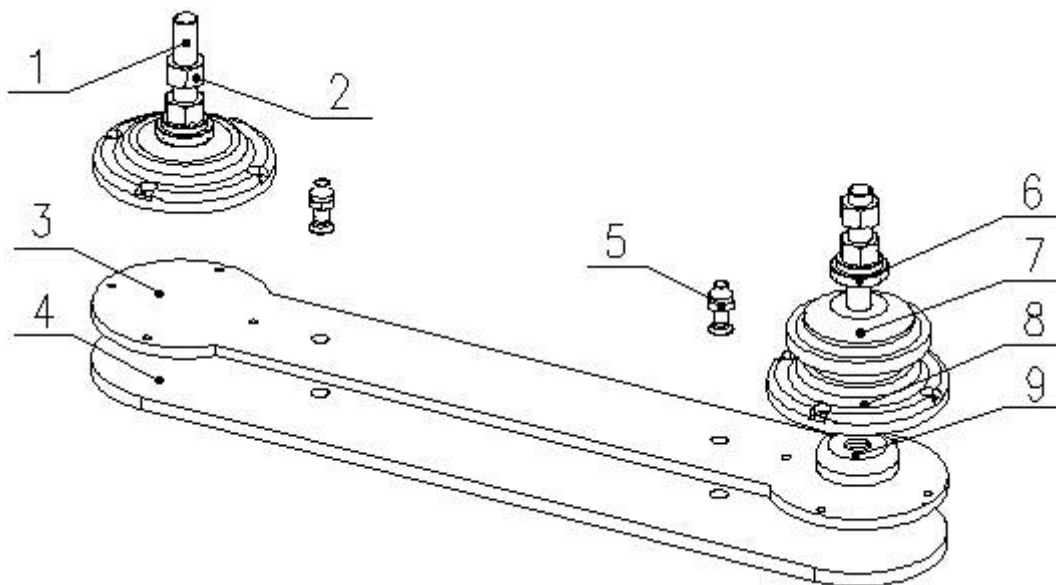
### 9.8 Horse Nose Assy.



No.	Part No.	Code No.	Name	Qty
1	D134-211-000	20250841067	Horse nose rod	1
	D134-351-000	20102030023	Non-metallic hexagon lock nut	1
2	D134-213-001	20251507075	Horse nose side board(R)	1
3	D134-650-000	20251507079	Spring plunger mounting plate	1
4	D134-210-000	20250841066	Horse nose support connect board	1
	D134-352-000	20101100173	Hexagon round head screw	6
5	D134-181-000	20251507026	Steering axle	2
6	D134-212-001	20251507074	Horse nose side board(L)	1
7	D134-208-000	20250841065	Halter pull-tab	2
8	D134-354-000	20113000052	C flat washer	2
9	D134-496-000	25100110008	Spring plunger	2
10	D134-492000	20651507022	Anti-pinch plate	2

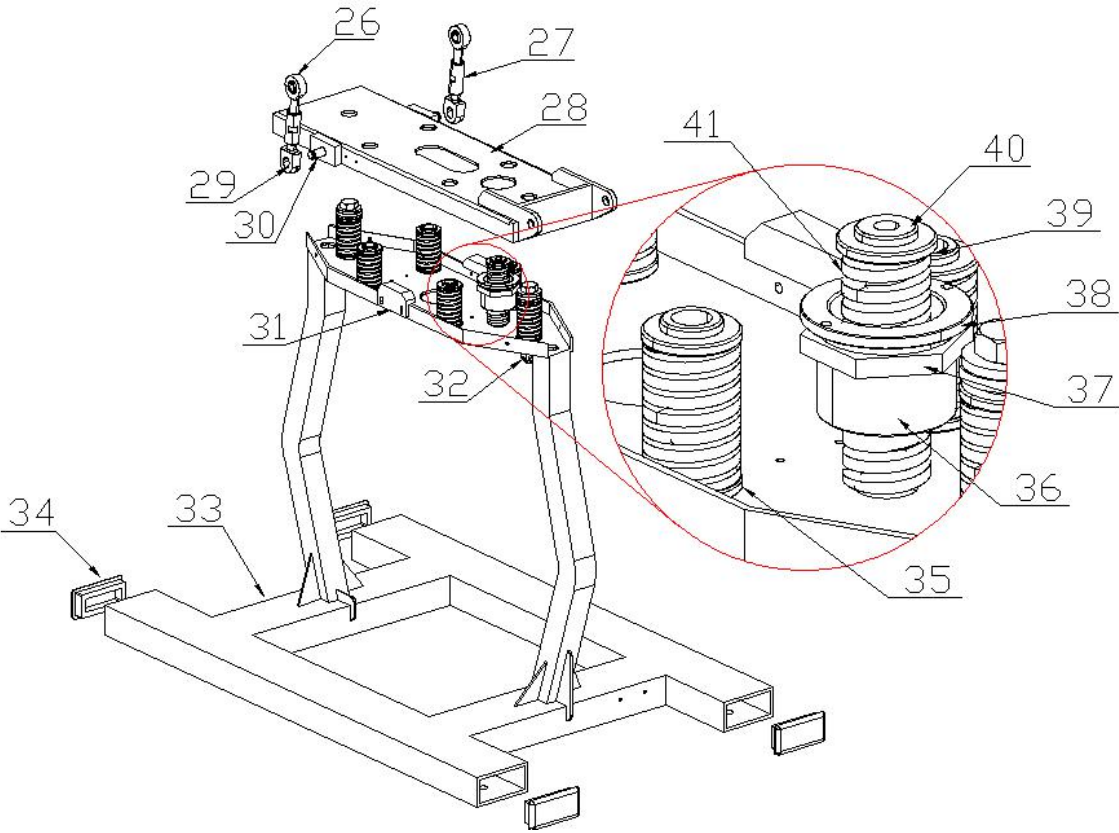
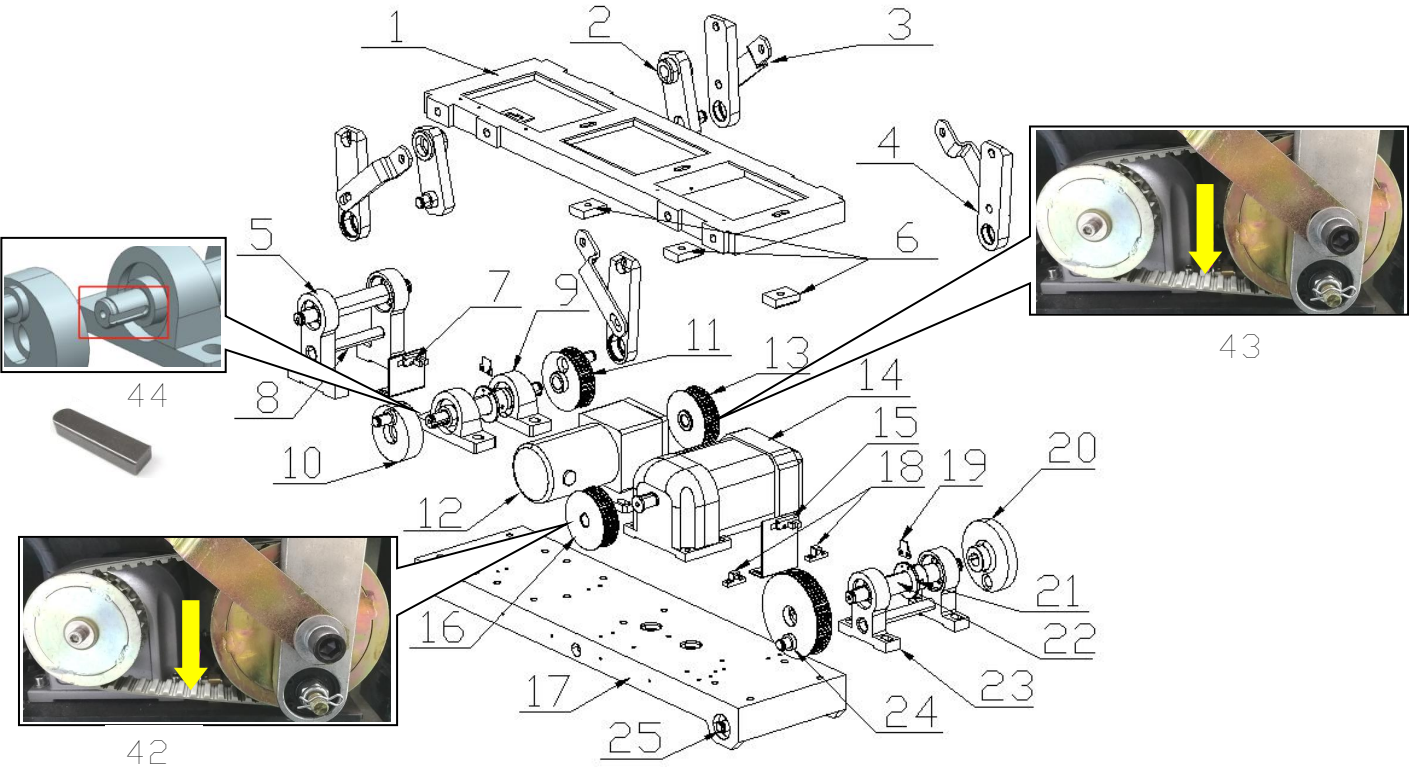


9.9 Cabinet base Assy.



No.	Part No.	Code No.	Name	Qty
1	D134-384-000	20104030030	Hexagonal head bolt	4
2	D134-312-000	20102030014	Hexagon nut	4
3	D134-215-000	20250841069	Foot pad(Steel)	2
4	D134-214-000	20650841003	Foot pad(Rubber)	2
5	D134-385-000	20101102033	Cross recessed sunk head screw	2
	D134-386-000	20102030001	Non-metallic hexagon lock nut	2
6	D134-219-000	20250841032	Footstand rubber pad	2
7	D134-216-000	20650841004	Cabinet footstand bearing	4
8	D134-217-000	20250841030	Cabinet bearing fixed plate	4
9	D134-218-000	20250841031	Cabinet footstand bearing cuff	4

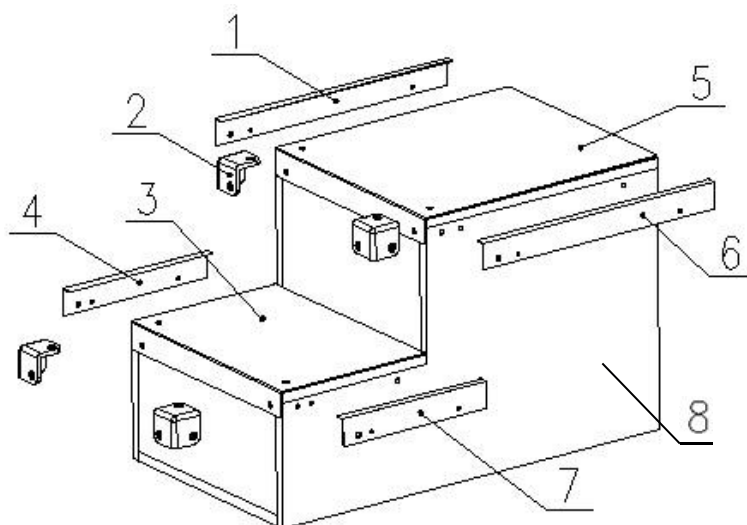
9.10 Horse Belly Assy.



No.	Part No.	Code No.	Name	Qty
1	D134-226-002	20250841005B	Cabinet up base	1
2	D134-247-000	20250841078	Swing arm B	2
3	D134-227-000	20250841034	Connecting rod	4
4	D134-228-000	20250841071	Swing arm A	4
5	D134-246-000	20250841092	BR. base C	2
	D134-421-000	20106000127	deep groove ball BR. 2	2
6	D134-243-000	20250841039	Special nut	3
7	D134-193-000	20251507054	Sensor plate B	1
8	D134-260-000	20250841047	Support beam	2
9	D134-249-000	20250841093	BR. base B	2
	D134-421-000	20106000127	deep groove ball BR. 2	2
10	D134-248-000	20250841079	Main swing arm B	1
11	D134-259-000	20250841088	Swing arm B	1
12	D134-426-000	23404000003	Motor 1	1
	D134-250-000	20250841081	Motor base	1
13	D134-194-000	20251507003	Timing belt B	1
14	D134-425-000	23405000072	Motor 2	1
15	D134-192-000	20251507053	Sensor plate A	1
16	D134-258-000	20250841087	Timing pulley A	1
	D134-229-000	20250841035	Pad A	2
17	D134-222-000	20250841070	Cabinet bed base	1
18	D134-252-000	20250841083	Belt seat	3
19	D134-254-000	20250841043	Sensor fender	2
20	D134-251-000	20250841082	Swing arm A	1
21	D134-253-000	20250841084	Flange	2
22	D134-255-000	20250841085	Axle A	3
23	D134-256-000	20250841094	BR. base A	2
	D134-421-000	20106000127	deep groove ball BR. 2	2
24	D134-257-000	20250841086	Main swing arm A	1
25	D134-244-000	20250841077	Axle C	1
	D134-424-000	20106000204	deep groove ball BR. 3	2
26	D134-418-000	20106080131	Rod ends BR.	2
27	D134-224-000	20250841040	Connecting sleeve	2
28	D134-221-000	20250841004	Damper base	1
29	D134-223-000	20250841089	Support axle	2
30	D134-235-000	20250841072	Axle B	1
31	D134-245-000	20250841107	Pad	2
32	D134-242-000	20250841038	Hexagon head half tooth screw	2
33	D134-191-001	20251507070A	Cabinet	1
34	D134-220-000	20650841005	Foot plug	4
35	D134-230-000	20250841061	Damper spring	6
36	D134-239-000	20250841074	Spring down case	1
37	D134-237-000	20250841075	Locking nut	1

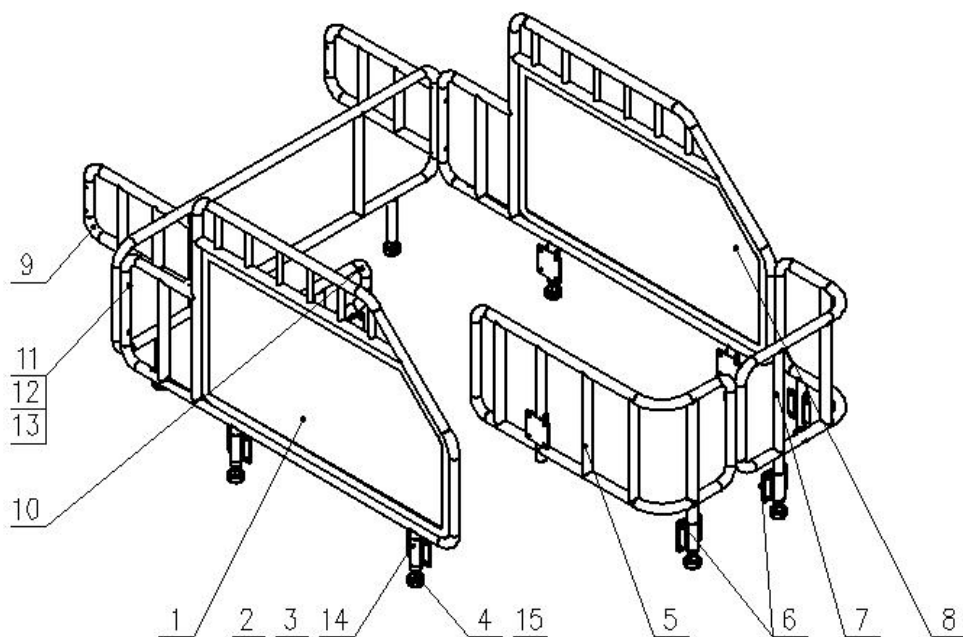
No.	Part No.	Code No.	Name	Qty
38	D134-236-000	20250841073	Spring up case	1
39	D134-233-000	20250841102	Spring conduit	12
40	D134-234-000	20250841112	Spring conduit A	1
41	D134-232-000	20250841120	Support spring	1
	D134-231-000	20250841095	Damper spring 2	1
42	D134-420-000	26505000096	Long belt	1
43	D134-419-000	26505000095	Short belt	1
44	D134-422-000	20115090001	Type C flat key	6

### 9.11 Stair Assy.



No.	Part No.	Code No.	Name	Qty
1	D134-103-000	20251507D003	Antiskid L plate B	1
2	D134-138-000	20651507015	Corner Guard	8
3	D134-102-000	20651507D007	Antiskid rubber plate A	1
4	D134-101-000	20251507D002	Antiskid L plate A	1
5	D134-104-000	20651507D008	Antiskid rubber plate B	1
6	D134-106-000	20251507D005	Antiskid R plate B	1
7	D134-107-000	20251507D006	Antiskid R plate A	1
8	D134-014-000	29951507D002	Stair case Assy.	1

### 9.12 Fence Assy.



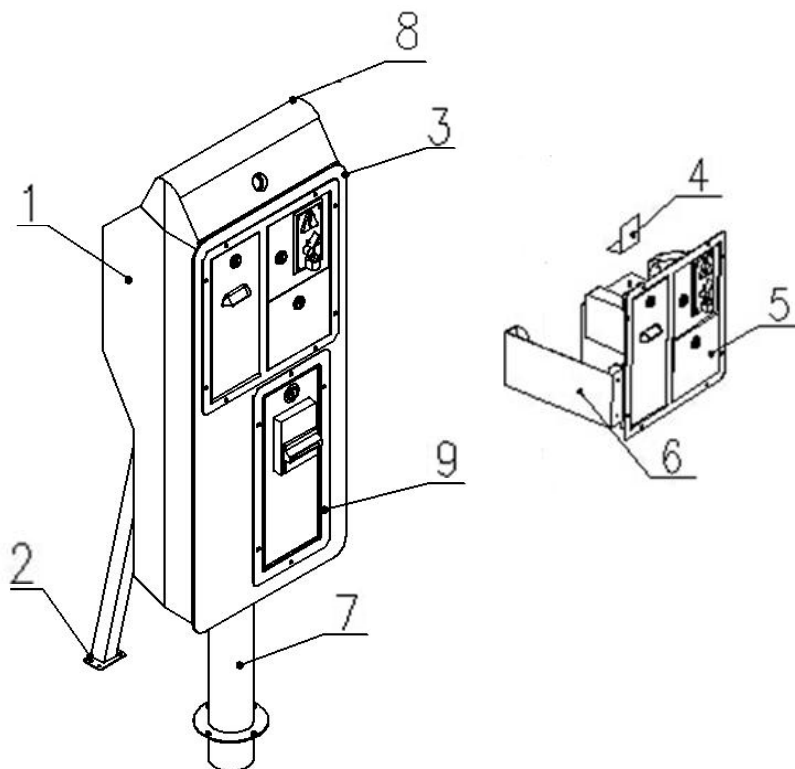
No.	Part No.	Code No.	Name	Qty
1	D134-126-000	20651507D002	L fence rubber	1
2	D134-195-000	20251507029	Fence fixed board	10
3	D134-196-000	20651507010	Fence rubber pad	8
4	D134-261-000	20250841049	Footstand bearing C	8
5	D134-128-000	20651507D003	Mid fence rubber	1
6	D134-130-000	20651507D011	Fence rubber pad B	2
7	D134-131-000	20651507D004	R back fence rubber	1
8	D134-133-000	20651507D005	R fence rubber	1
9	D134-135-000	20251507D022	Front fence	1
10	D134-136-000	20251507D023	Stair fence	1
11	D134-376-000	20101048012	Hexagon flat round head screws	4
12	D134-377-000	20113000059	C flat washer	4
13	D134-378-000	20102100033	Cap nut	4
14	D134-379-000	20101010011	Hexagon flat round head screws	40
15	D134-358-000	20102020043	Hexagon nut	8

9.13 Horse Assy.



No.	Part No.	Code No.	Name	Qty
1	D134-417-002	20651507023B	Rein	1
2	D134-601-001	20451507004	R horse shell (Brown gel coat)	1
	D134-602-001	20451507005	L horse shell (Brown gel coat)	1
3	D134-123-001	20651507D017	Horse decoration	1
4	D134-300-000	20651507D018	Horse breast decoration	1

9.14 Coin Mech.



No.	Part No.	Code No.	Name	Qty
1	D134-116-001	20251507D013A	Coin box cabinet	1
2	D134-155-000	20251507039	Subsidiary Support rod	1
	D134-330-000	20101020034	Cross recessed pan head screw suite	4
3	D134-110-000	20251507D007	Box cover	1
4	D134-275-000	26000044000	Meter support	1
	D134-328-000	20102020011	Hexagon flange nut	2
	D134-326-000	20104010016	Big step bolt	8
	D134-327-000	20102000030	Hexagon flange nut	8
6	D134-276-000	26000007000	Ticket Box 120	1
7	D134-154-000	20251507059	Support rod	1
	D134-324-000	20101100165	Hexagon round head screw	4

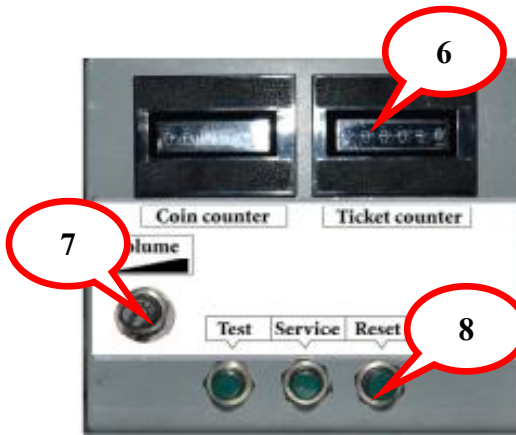
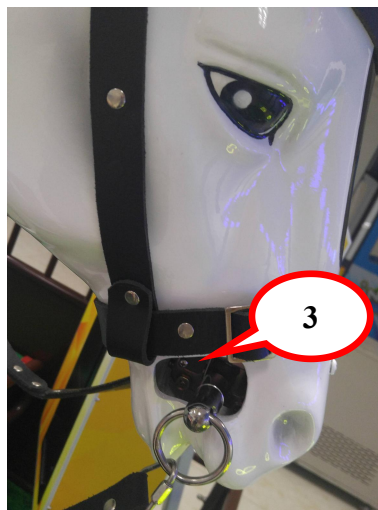


### 9.15 Electrical components

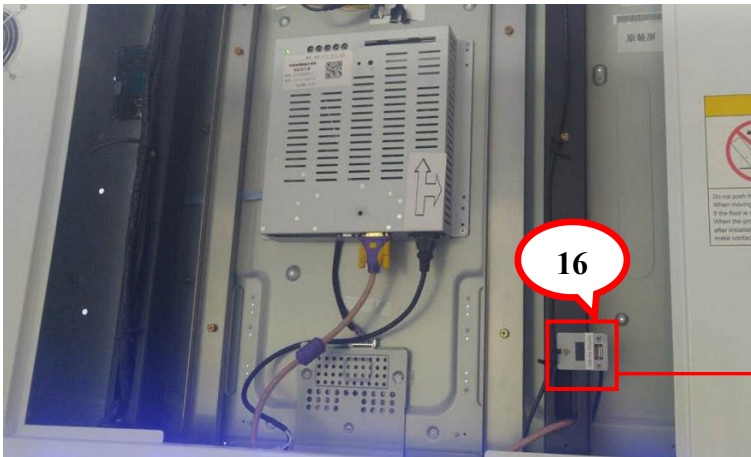
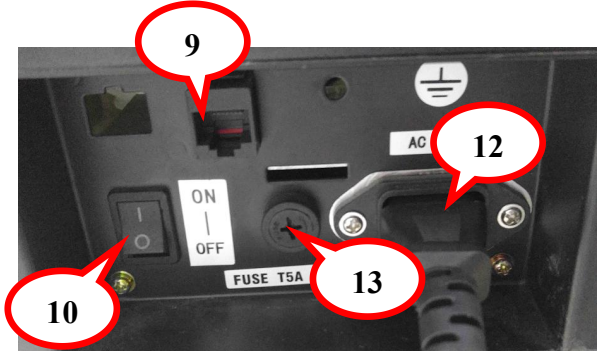
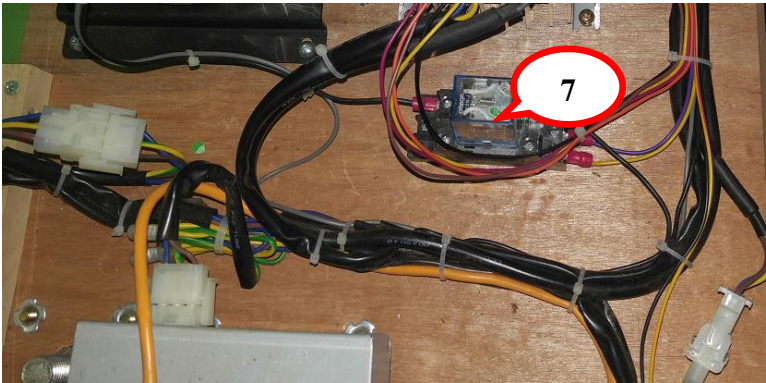
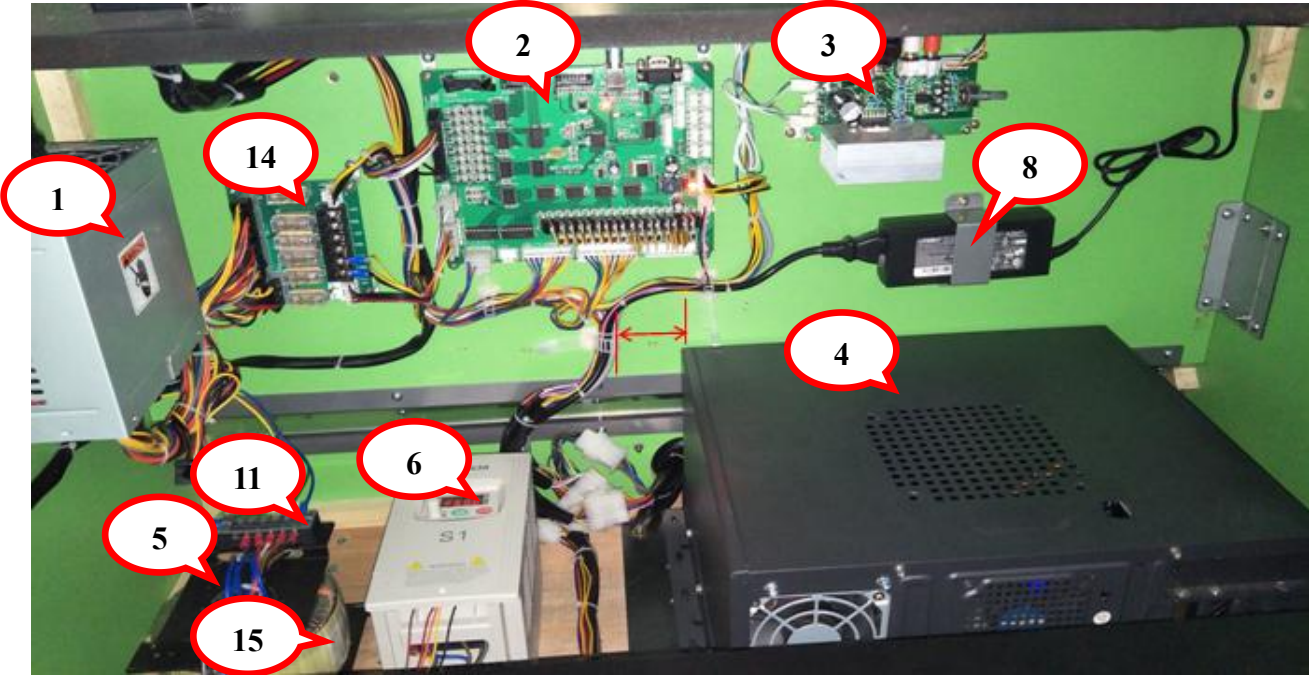


No.	Part No.	Code No.	Name	Qty	
1	D134-483-000	20751507001	Offline control card	1	
	D134-452-001	21714000228	Light box display	4	
2	D134-453-000	21201055003	55" display	1	
	D134-430-000	23307000021	DP-DVI Cable	1	
	D134-434-000	23301050002	Power cord	1	
3	D134-461-000	22002016018	3528 soft light belt	2.5	
4	D134-459-000	22801000005	Speaker	2	
	5	D134-457-000	22702010025	Fan	1
		D134-447-000	22702000010	Fan net	2
6	D134-473-000	21503020004	Pressure-sensitive SW	1	
7	D134-449-001	22002015017	BG5050B light strip-blue	0.9	
8	D134-425-000	23405000072	Motor 2	1	
9	D134-426-000	23404000003	Motor 1	1	
10	D134-455-000	21503000046	Sensor	1	





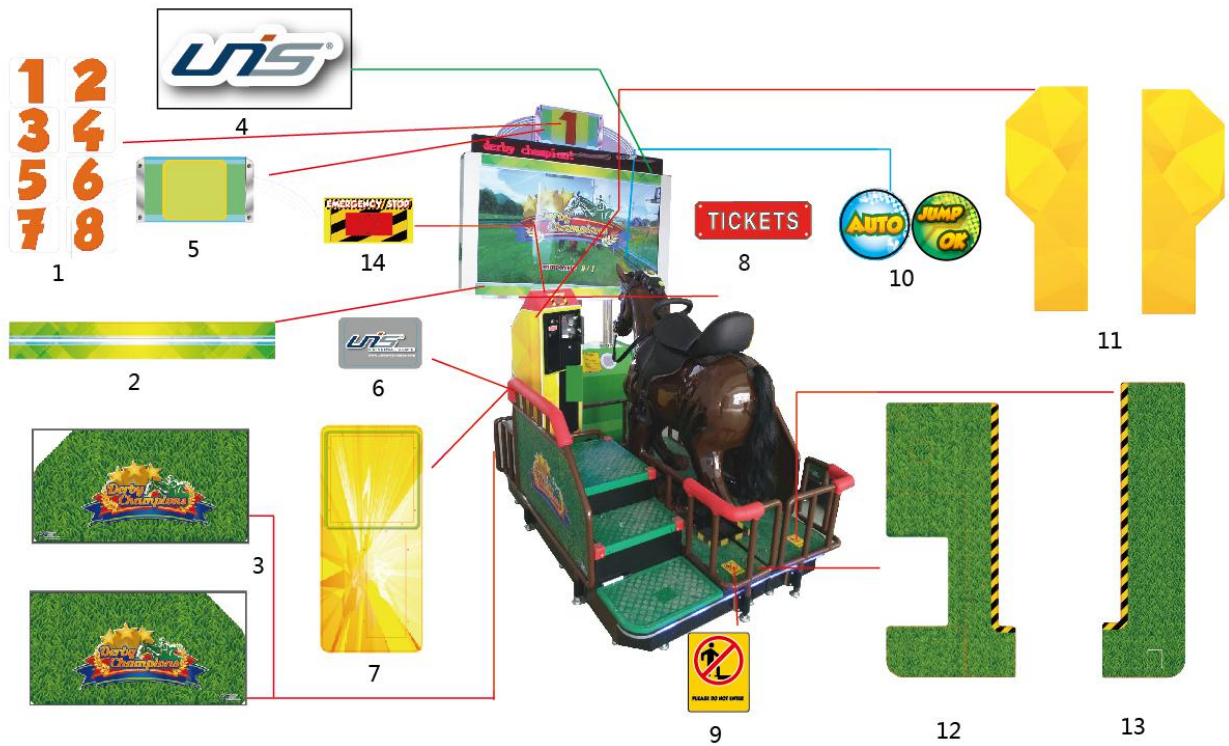
No.	Part No.	Code No.	Name	Qty
1	D134-475-000	22403000004	Green button	1
2	D134-474-001	22401080005	White SW	2
	D134-477-000	22604000006	Micro-SW	2
3	D134-444-000	22003000018	LED bulb	1
	D134-429-000	22604000039	Micro SW	2
4	D134-468-000	23100000005	Ticket dispenser	1
5	D134-458-000	22301000001	Coin mech.	1
6	D134-450-000	23000000005	Meter	2
7	D134-446-000	22403000001	POT knob	1
	D134-437-000	29791400001	POT converted plate	1
8	D134-439-000	22402010002	Red button	1
	D134-440-000	22402030002	Green button	1
	D134-441-000	22402050001	Black button	1



No.	Part No.	Code No.	Name	Qty
1	D134-448-000	21602000001	Power box	1
2	D134-469-000	29791300001	Main board	2
	D134-482-000	23309000244	Wiring	1
	D134-466-000	23304000098	Cable	1
3	D134-442-000	22803000031	2.0 Amplifier	1
	D134-436-000	23305000003	Audio cable	1
4	D134-015-000		PC Assy.	1
	D134-456-002	21107030081	Video card (R7 250X)	1
	D134-476-002	21107220008	Main board	1
	D134-476-003	21107190018	CPU	1
	D134-476-004	21107090003	Memory	1
	D134-476-005	21107060004	Hard disk	1
	D134-476-006	21107170012	Power supply	1
	D134-476-007	21107070007	CPU Fan	1
	D134-476-008	21107070008	Fan	1
D134-476-009	21107270004	PC Cabinet	1	
5	D134-486-000	21601000121	Transformer	1
	D134-494-000	21901000059	Fuse	1
6	D134-463-000	21605000008	Transducer	1
7	D134-464-000	22140000016	Relay	1
	D134-465-000	22140000012	Relay socket	1
8	D134-462-000	21603020001	Adapter	1
9	D134-479-000	23302000013	Network cable	1
	D134-480-000	23302000001	Network cable bracket	1
10	D134-438-000	22601000005	Rocket SW(S)	1
11	D134-488-000	21902000030	Line bank	1
12	D134-470-000	23201000001	Filter	1
	D134-805-000	23301010020	Power cord	1
13	D134-481-000	21901000030B	Fuse	1
	D134-471-000	21902000006	Fuse socket	1
14	D134-443-000	29711605001	Short circuit protection board	1
15	D134-487-000	50300000012	Bridge rectifier	1
16	D134-485-000	23304010027	Cable	1

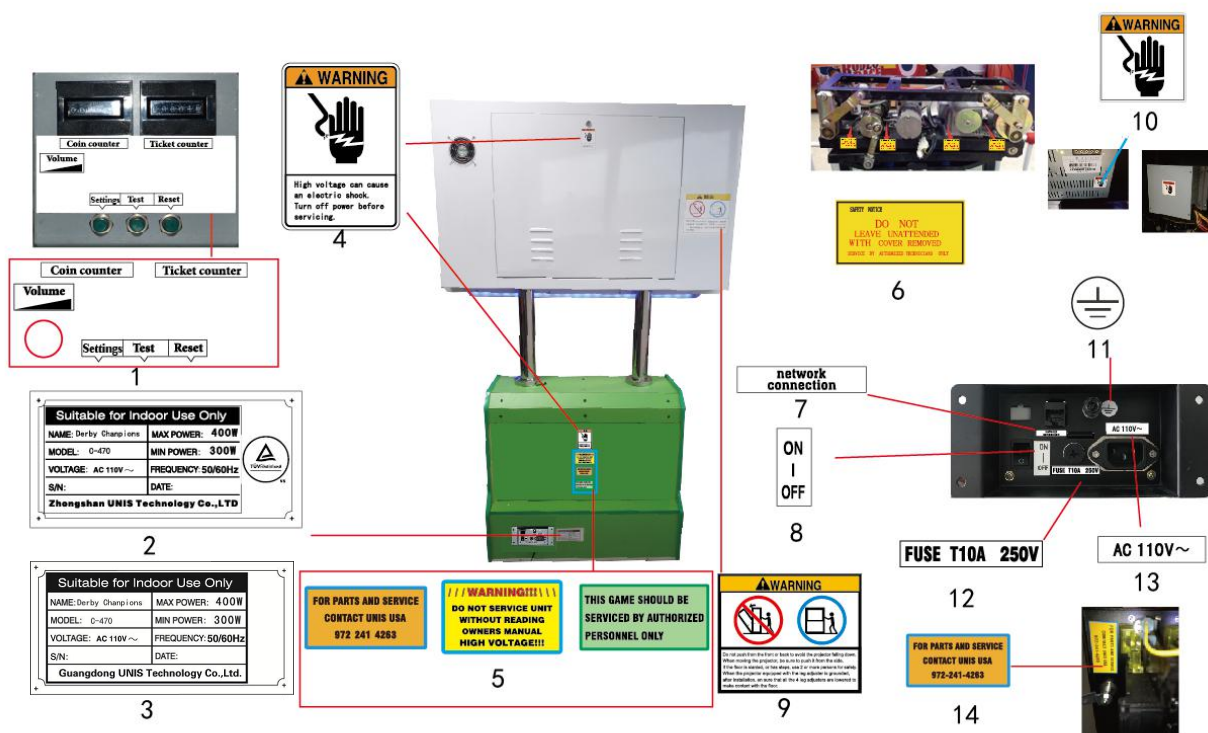


9.16 Decal part 1



No.	Part No.	Code No.	Name	Qty
1	D134-711-000	20551507013	Number decal	1
2	D134-726-000	20551507D010	Display decal	1
3	D134-719-000	20551507D003	R handrail decal	1
	D134-720-000	20551507D004	L handrail decal	1
4	D134-715-000	20551507B010	Logo decal	1
5	D134-709-000	20551507001	Marquee decal	1
6	D134-721-000	20551507D005	Side logo	2
7	D134-725-000	20551507D009	Coin door decal	1
8	D134-738-000	25600000108	Ticket label	1
9	D134-713-000	20551507B008	No standing label	2
10	D134-723-000	20551507D007	Button decal	1
	D134-724-000	20551507D008	Stop button decal	1
11	D134-718-000	20551507D002	Coin box R decal	1
	D134-717-000	20551507D001	Coin box L decal	1
12	D134-722-000	20551507D006	Floor L decal	1
13	D134-710-000	20551507008	Floor R decal	1

### 9.16 Decal part 2

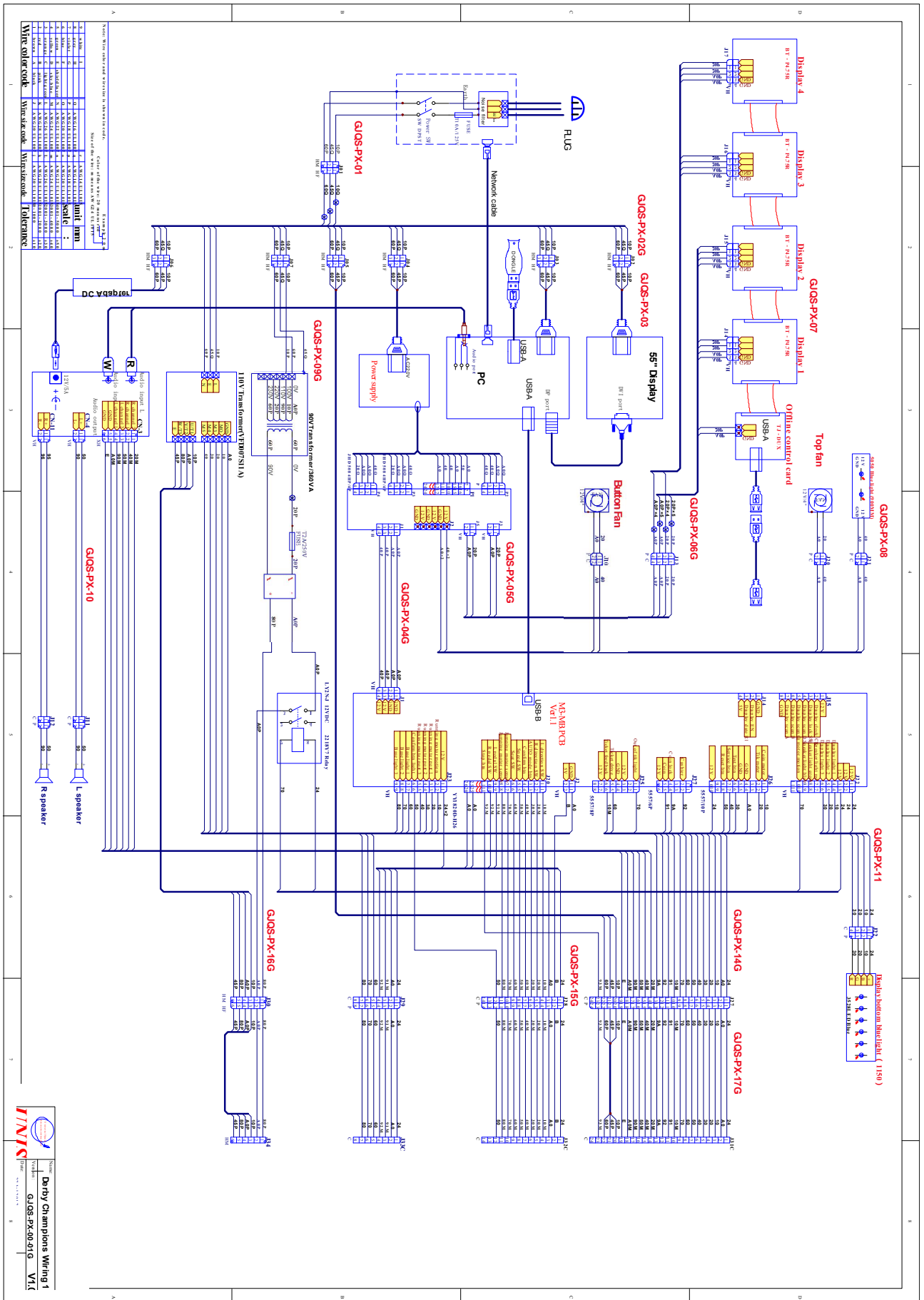


No.	Part No.	Code No.	Name	Qty
1	D134-705-000	25600000100	Meter label	1
2	D134-727-000	20551507D011	TUV 110V nameplate	1
3	D134-714-001	20551507B009A	Noncertified 110V Nameplate	1
4	D134-704-000	25600000037	High voltage warning label L	2
5	D134-731-000	25600000095	Service label (L)	1
	D134-730-000	25600000067	Service notice label	1
	D134-729-000	25600000042	Service label 1	1
6	D134-728-000	20551507D012	Service label	1
7	D134-707-000	25600000097	Network port label	1
8	D134-701-000	25600000017	Power SW label B	1
9	D134-708-000	25600000060	Pushing warning	1
10	D134-703-000	25600000036	High voltage warning label S	2
11	D134-716-000	25600000091	GND label	1
12	D134-712-000	25600000077	Fuse label	1
13	D134-706-000	25600000071	110V label	1
14	D134-732-000	25600000096	Service label (S)	1

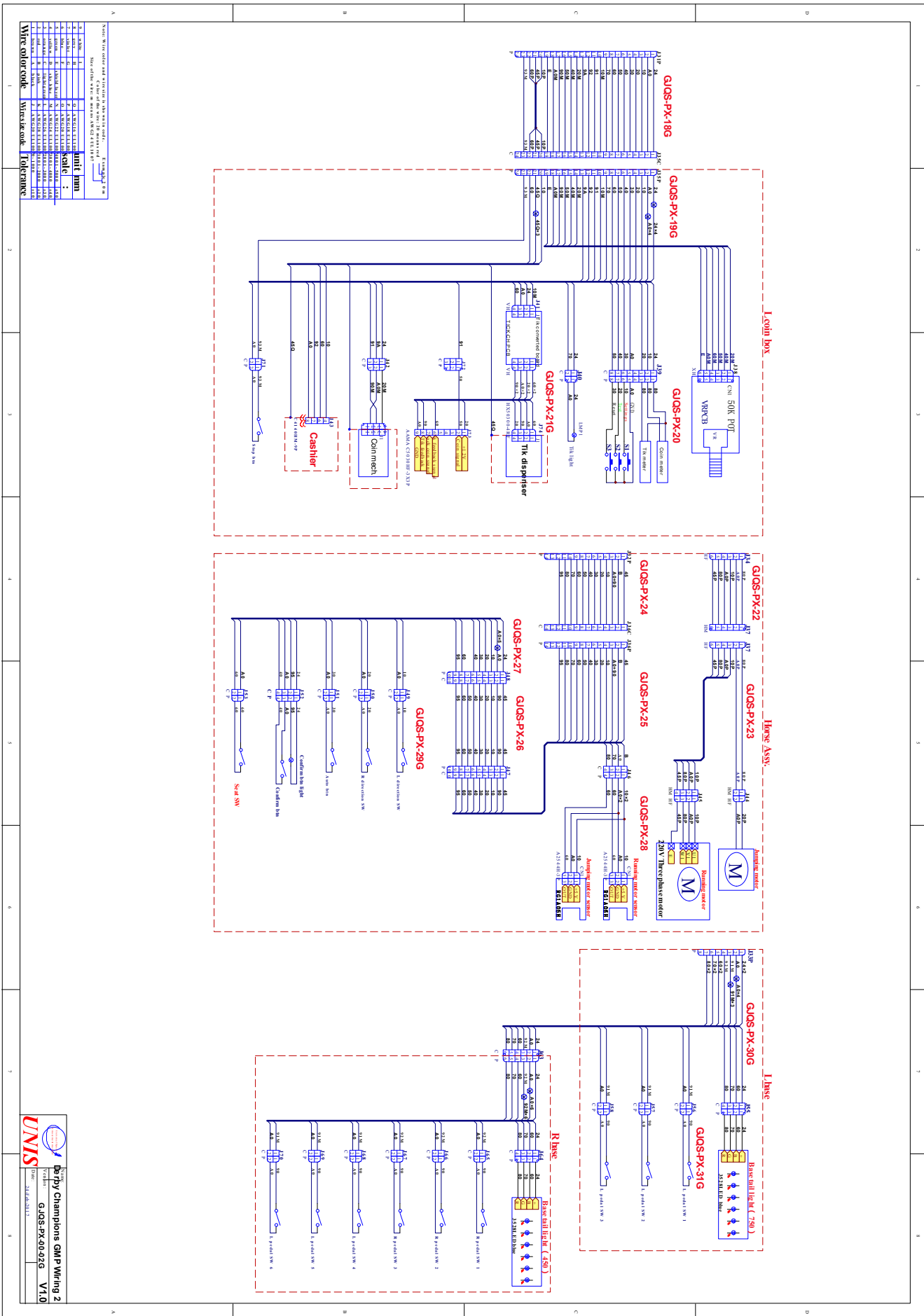


No.	Part No.	Code No.	Name	Qty
1	D134-735-000	20551507D015	Coin box back decal	1
2	D134-733-000	20551507D013	Side decal	1
3	D134-734-000	20551507D014	Logo decal	1
4	D134-736-001	20551507D016A	Warning decal	1
5	D134-737-000	20551507D017	Recovery stick decal	1

# 10. WIRING DIAGRAM







Derby Champions GM P Wiring 2
   
 Version: GXOS-PX-00-026 V1.0
   
 UNIS