



## IMPORTANT



Be Sure  
to Read this  
Manual  
Before Use



[www.universal-space.com](http://www.universal-space.com)

# Operation Manual

# WE ARE HERE TO ASSIST For parts and service



Have Questions? Contact us!

**UNIS SERVICE CENTER**  
Tel: 972-241-4263  
Email: [service@unispartsandservice.com](mailto:service@unispartsandservice.com)

When contacting Service, you will need the following information  
and the name of your authorized distributor.

<b>INDOOR MACHINE</b>	
<b>NAME: BOWL MASTER</b>	<b>MAX POWER: 120W</b>
<b>MODEL: C-512</b>	<b>MIN POWER: 100W</b>
<b>S/N:</b>	<b>FREQUENCY: 50/60Hz</b>
<b>VOLTAGE: AC100V-240V~</b>	<b>DATE:</b>
<b>Guangdong UNIS Technology Co.,Ltd.</b>	

# CONTENT

IMPORTANT SAFETY INSTRUCTIONS..... 3

1. SPECIFICATIONS..... 5

2. CONTENTS OF THE ACCESSORY KIT..... 7

3. PART NAME..... 8

4. SET UP & INSTALLATION..... 9

5. HOW TO PLAY.....19

6. GAME OPTION.....20

7. TROUBLE SHOOTINGS..... 22

8. MAINTENANCE & INSPECTION.....24

9. OVERALL CONSTRUCTION..... 25

10. WIRING DIAGRAM.....35

Thank you for purchasing **Bowl Master**. We hope you enjoy the product.

This manual contains valuable information about how to operate and maintain your game machine properly and safely. It is intended for the owner and/or personnel in charge of product operation. Carefully read and understand the instructions.

If you need any help during installation and setup please utilize this manual and troubleshooting guide. If the product fails to function properly, *non-technical personnel should under no circumstance attempt to service the machine*. Contact your distributor or manufacturer for help.

Before use, please read **IMPORTANT SAFETY INSTRUCTIONS**.

## IMPORTANT SAFETY INSTRUCTIONS

**To ensure the safe usage of this product, carefully read and understand these instructions before operating your game.**

**Save these instructions for future reference.**

Use this product only as described in this manual. Other uses not recommended may cause fire, electric shock or personal injury. Unplug the game from the outlet when not in use, when moving from one location to another, and before cleaning/servicing.

Explanations which require special attention are indicated by signs of warning. Depending on the potential hazardous degree, the terms: **NOTE**, **NOTICE**, and **WARNING** are used.

**NOTE:** A NOTE indicates useful hints or information about product usage.

**NOTICE:** A NOTICE indicates potential damage to product and how to avoid the problem.

**WARNING:** A WARNING indicates a potential for product damage or serious personal injury.

It is important to understand the meaning of the following HAZARD SIGNS before continuing:

### High Voltage and Shock Hazard:

High voltage can cause electric shock.  
Turn off/unplug power before servicing.



### High Temperature Hazard:

This part may cause scalding.  
Do not touch. Surface may be hot.



### No Touching Hazard:

This part may be hot or can cause electric shock.  
Do not touch.



Use the following safety guidelines to help ensure your own personal safety and to help protect your equipment and surrounding environment from potential damage.

** This product is an indoor game machine. Do not install outdoors.**

Avoid installing in the following places to prevent fire, electric shock, injury and/or machine malfunctioning:

- Places subject to rain/moisture, or places subject to high humidity.
- Places subject to direct sunlight, or places subject to extremely hot or cold temperatures to ensure that it is used within the specified operating range.
- Places where inflammable gas may be present or in the vicinity of highly inflammable/volatile chemicals or items that can easily catch fire.
- On unstable or sloped surfaces. The machine may topple or cause unforeseen accidents.
- Vicinity of fire exits, fire extinguishers etc that may block/prevent safety measures.

**IMPORTANT NOTE:**

**ALL REPAIRS MUST BE DONE TO ORIGINAL MANUFACTURER SPECIFICATIONS. FAILURE TO DO SO VOID ALL WARRANTIES AND OPERATOR ASSUMES ALL RISKS.**

Note: The contents of this manual may be updated without notice.

# 1. SPECIFICATIONS

## 1.1 Regular Version Size

Rated power supply: AC100V-240V 50/60Hz

Min. Power consumption: 100W

Max. Power consumption: 120W

Dimension: W20.19×D80.07×H57.03 in

W512.9×D2033.8×H1448.5 mm

Weight: Approximately 99.21 lb

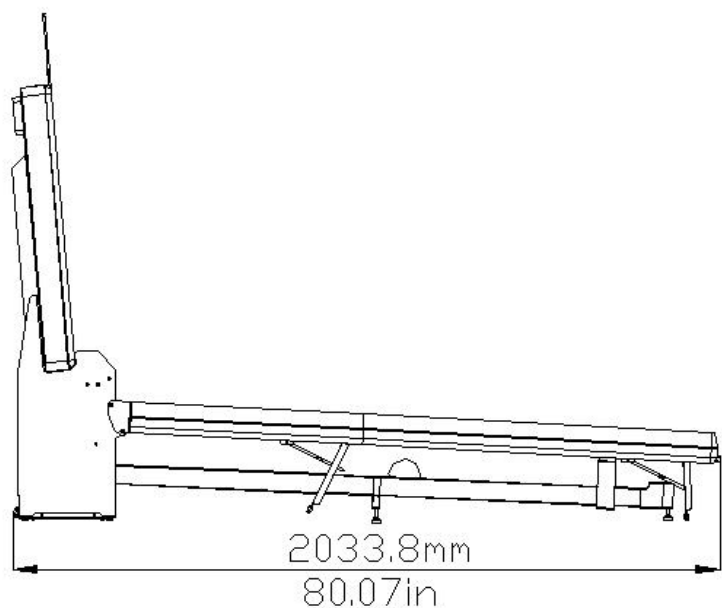
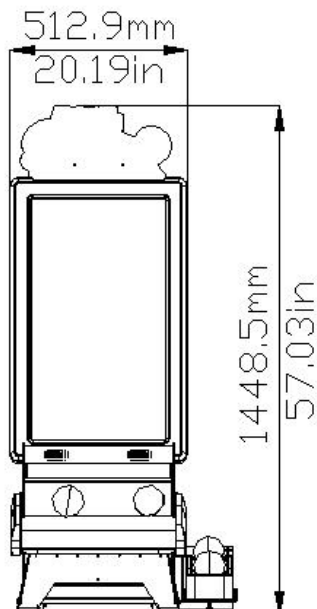
45kg

Part No: B130

Mode No: C512



**NOTICE:** After turning off the game, please wait at least 1 minute before restarting again.



**Note:** Game specifications are subject to change without notice.

## 1.2 Extended Version Size

Rated power supply: AC110V 50/60Hz

Min. Power consumption: 100W

Max. Power consumption: 120W

Dimension: W20.19×D104.49×H57.03 in

W512.9×D2653.8×H1448.5 mm

Weight: Approximately 117.95 lb

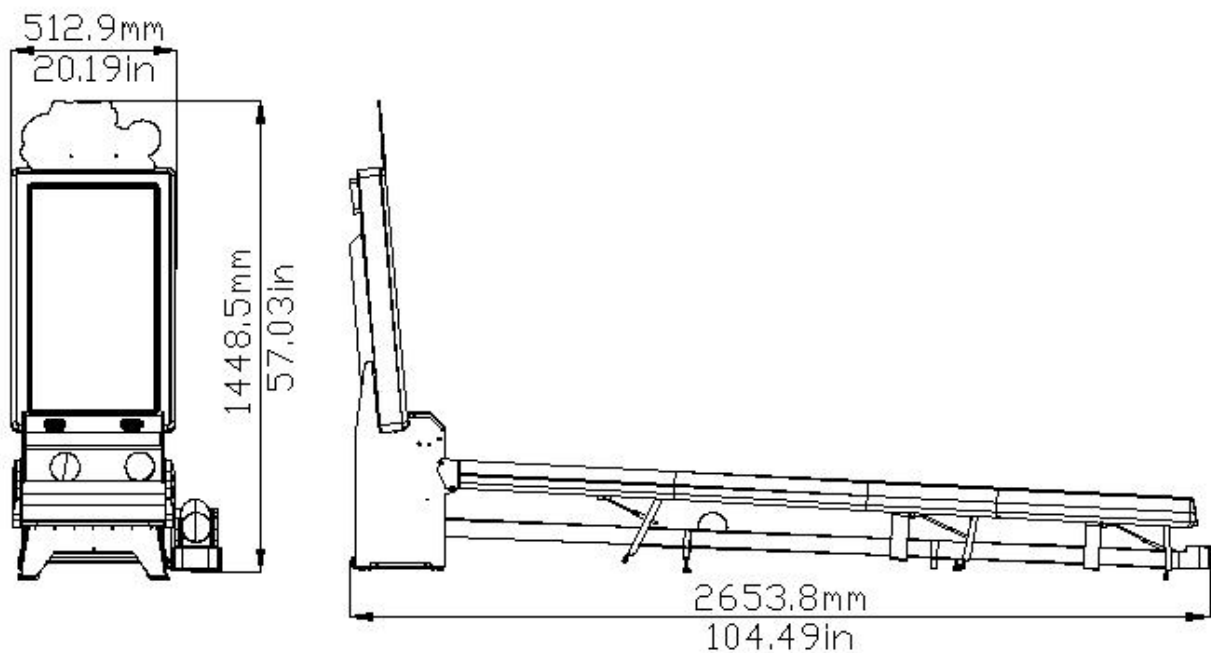
53.5kg

Part No: B130

Mode No: C512



**NOTICE:** After turning off the game, please wait at least 1 minute before restarting again.



**Note:** Game specifications are subject to change without notice.

## 2. CONTENTS OF THE ACCESSORY KIT

Open the package and make sure all the items are included:

### 1. Following accessories

No.	Part No.	Code No.	Name	Picture	Qty
1	B130-411-000	23301010020	Power cord		1
2	B130-801-000	41440000173J	Manual		1
3	B130-404-000	21901000010	Fuse(T3A)		2
4	B130-405-000	21901000012	Fuse(T5A)		2
5	B130-419-000	40607000012	Wrench		1
6	B130-102-001	20611605J014A	Ball (orange)		4
7	B130-423-000	41300000007	Recovery stick	/	1
8	B130-802-000	40613000216	Screwdriver	/	1

**NOTE:** Part models are subject to change without notice.



### 3. PART NAME

#### Key Components



## 4. SET UP & INSTALLATION

### NOTICE




**We do not recommend using power tools as they may cause damage.**

 **This product is an indoor game machine. Do not install outdoors.**

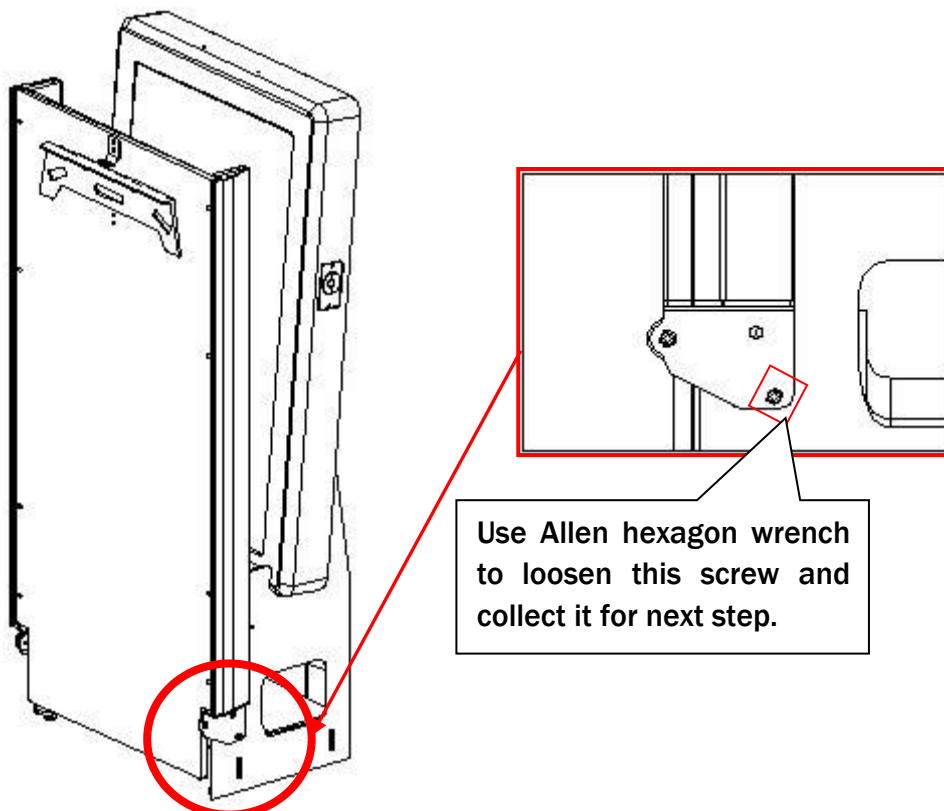
- Refer to IMPORTANT SAFETY INSTRUCTIONS (Pg. 3) for places to avoid
- Place the unit on a dry level surface
- Ventilation openings in the back of the unit must not be obstructed by objects or by wall.

### 4.1 Machine Installation for Regular Version

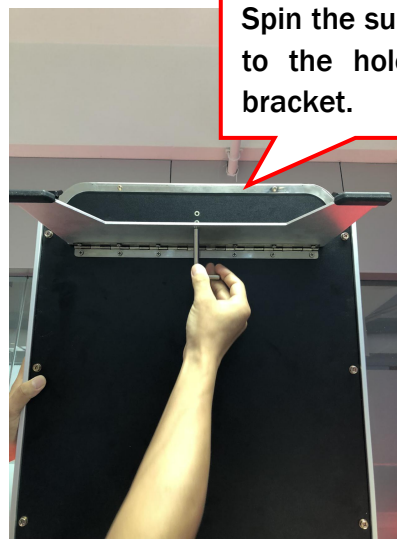
Before processing with assembly assure you have the following tools.

No.	Name	Picture	Use for
1	Phillips screwdriver		Step 4, Step 7
2	Wrench		Step 3,
3	Allen hexagon wrench		Step 1, Step 2

**Step 1** Unpack the machine and loose four screws at two sides to lay down the lane.



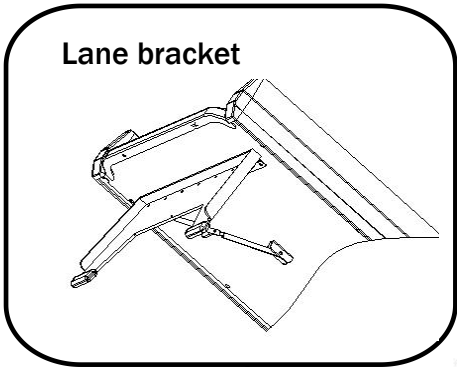
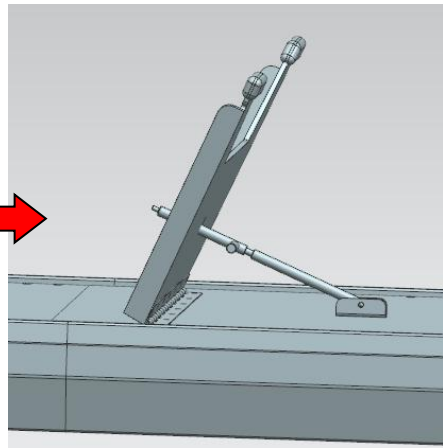
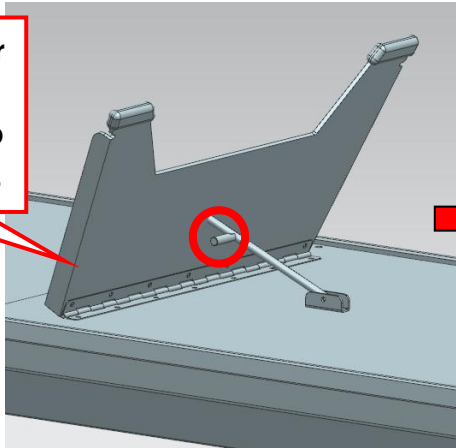
**Step 2** Erect the lane bracket, spin the support bar to fix it, then attach the screws as picture shown to fix the lane.



Spin the support bar to the hole of the bracket.

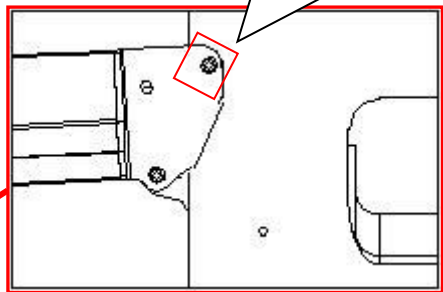


Spin the little bar to lengthen the support bar to go through the hole.




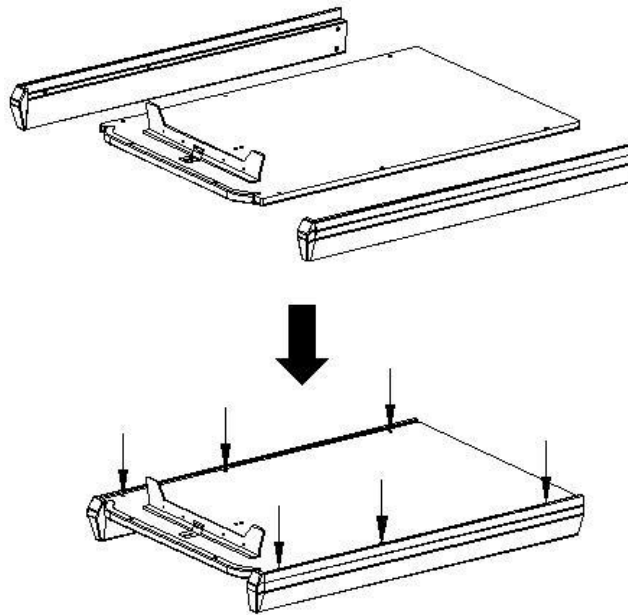
Lane bracket

Lay down the lane, and attach the screw as picture shown to fix the lane.




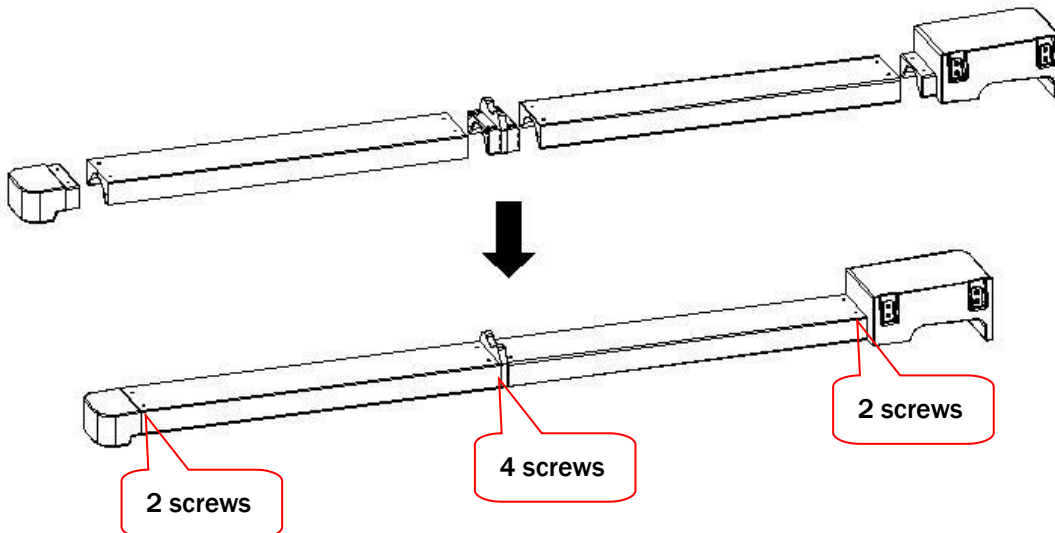
**Step 3** Install the extended lane part by wrench as picture shown.

No.	Part No.	Name	Picture	Qty
1	B130-314-000	Cross recessed hexagon screw set		6

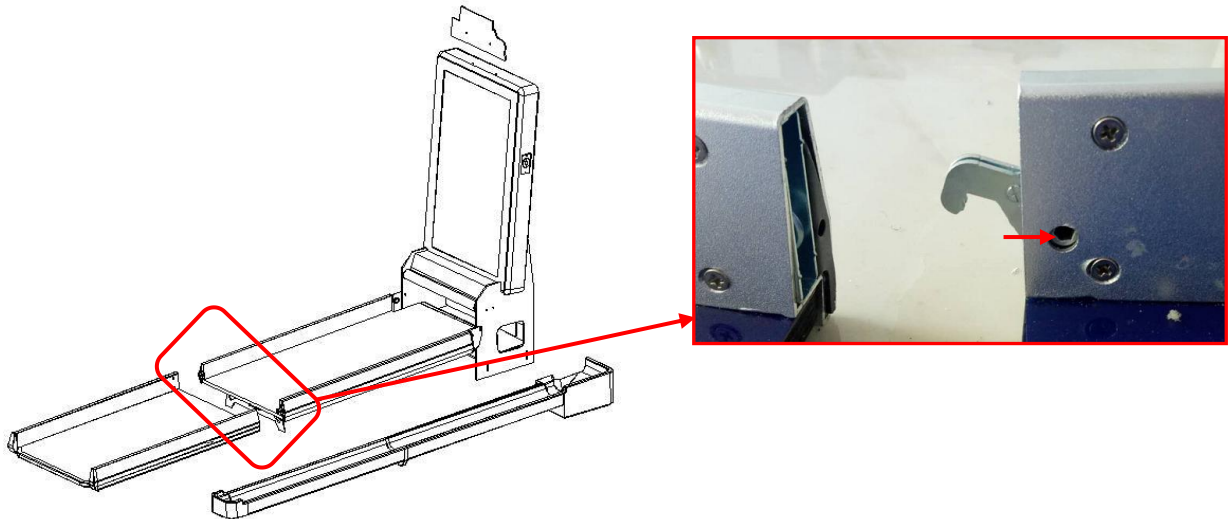


**Step 4** Install the ball slot part by Phillips screwdriver as picture shown.

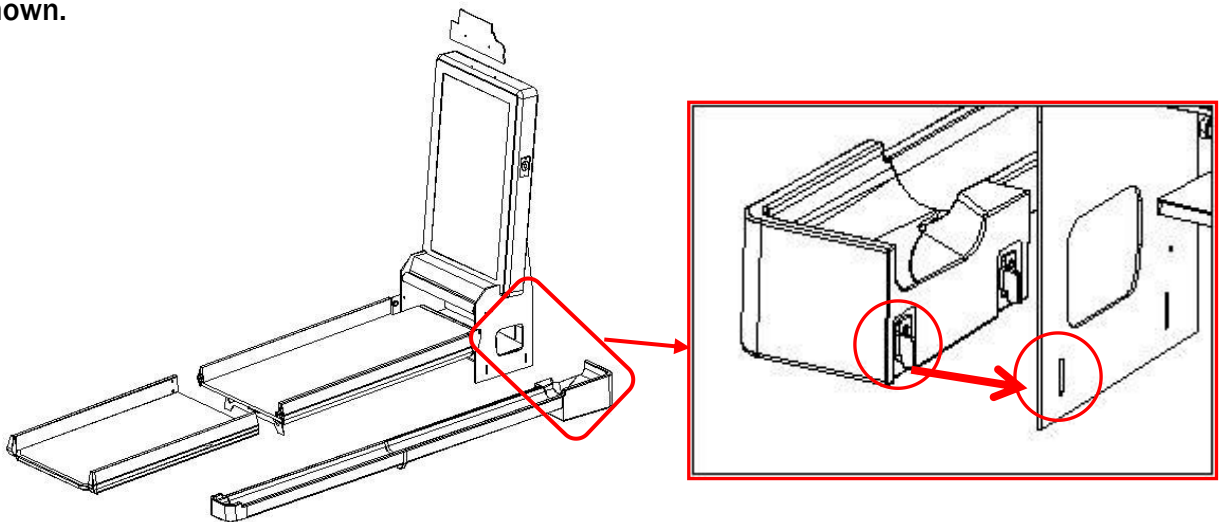
No.	Part No.	Name	Picture	Qty
1	B130-322-000	Cross head screw set		8




**Step 5** Use the Allen hexagon wrench to lock the extended lane part as picture shown.

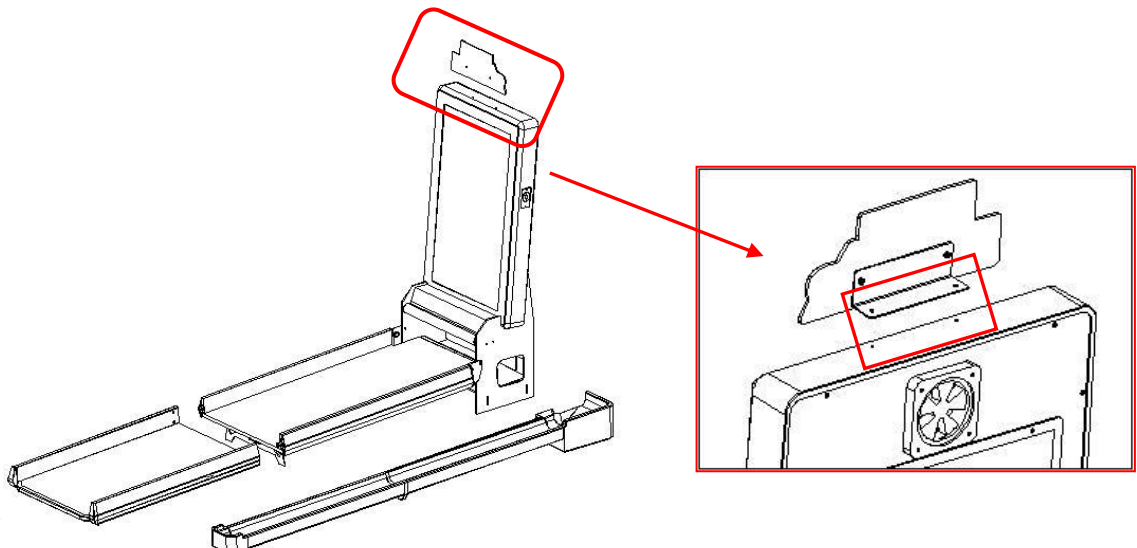


**Step 6** Match the red circle area and install the ball slot part on the machine as picture shown.






**Step 7** Use Phillips screwdriver to install the marquee part on the machine as picture shown.

No.	Part No.	Name	Picture	Qty
1	B130-103-000	Cross round head screw		2

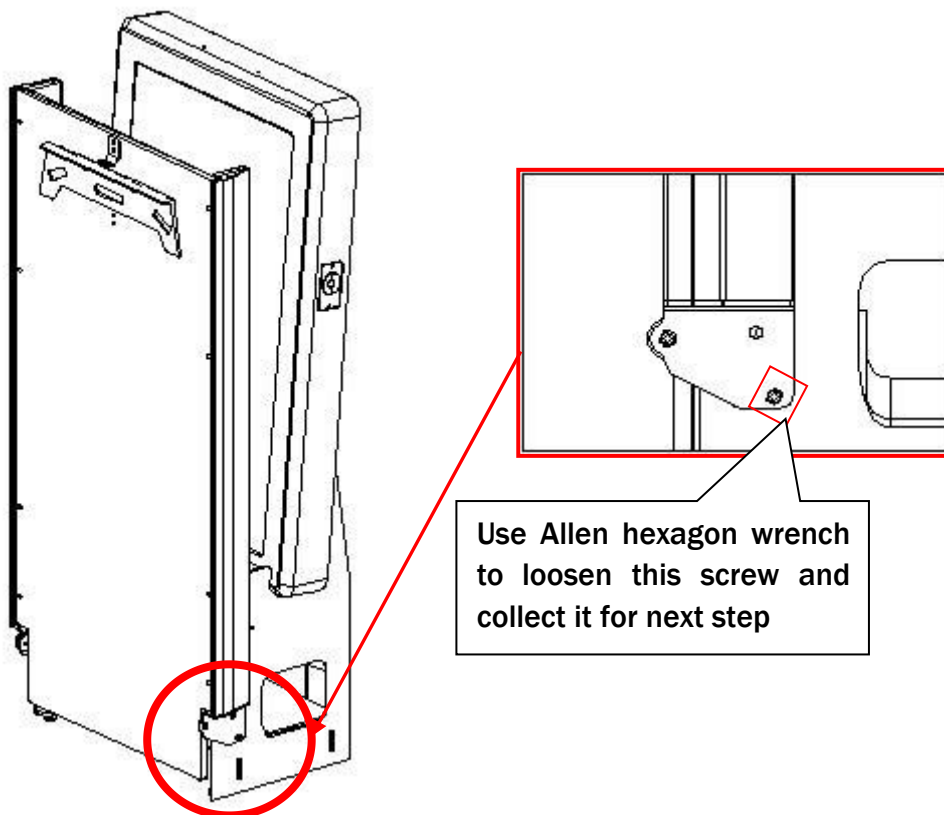


## 4.2 Machine Installation For Extended Version

Before processing with assembly assure you have the following tools.

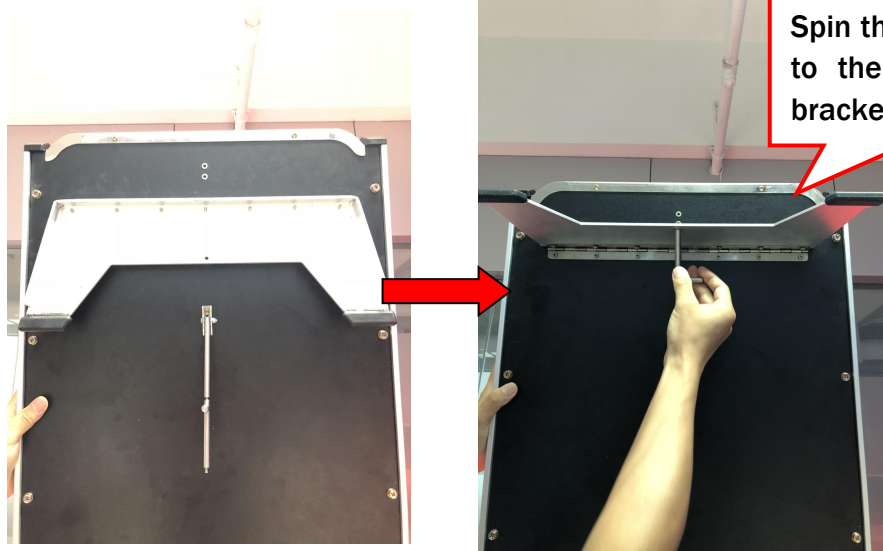
No.	Name	Picture	Use for
1	Phillips screwdriver		Step 4, Step 7
2	Wrench		Step 3,
3	Allen hexagon wrench		Step 1, Step 2

**Step 1** Unpack the machine and loose four screws at two sides to lay down the lane.

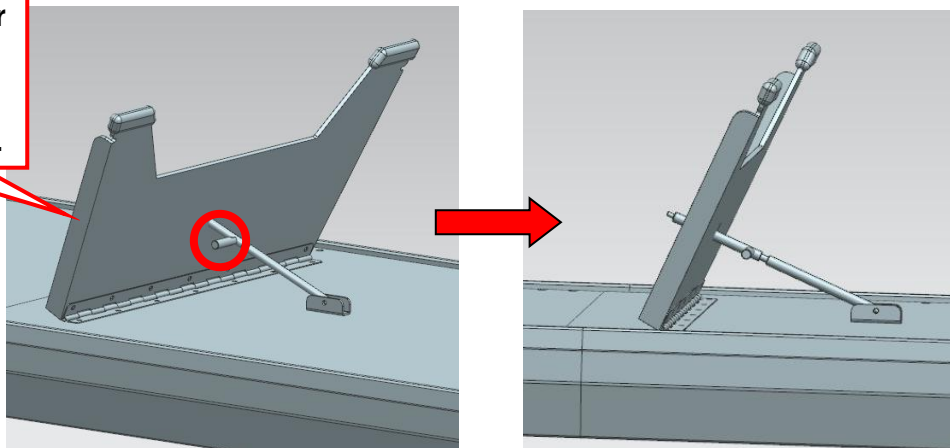


Utilize Phillips screwdriver to loosen the screws to remove the original bracket, and replace the new bracket.

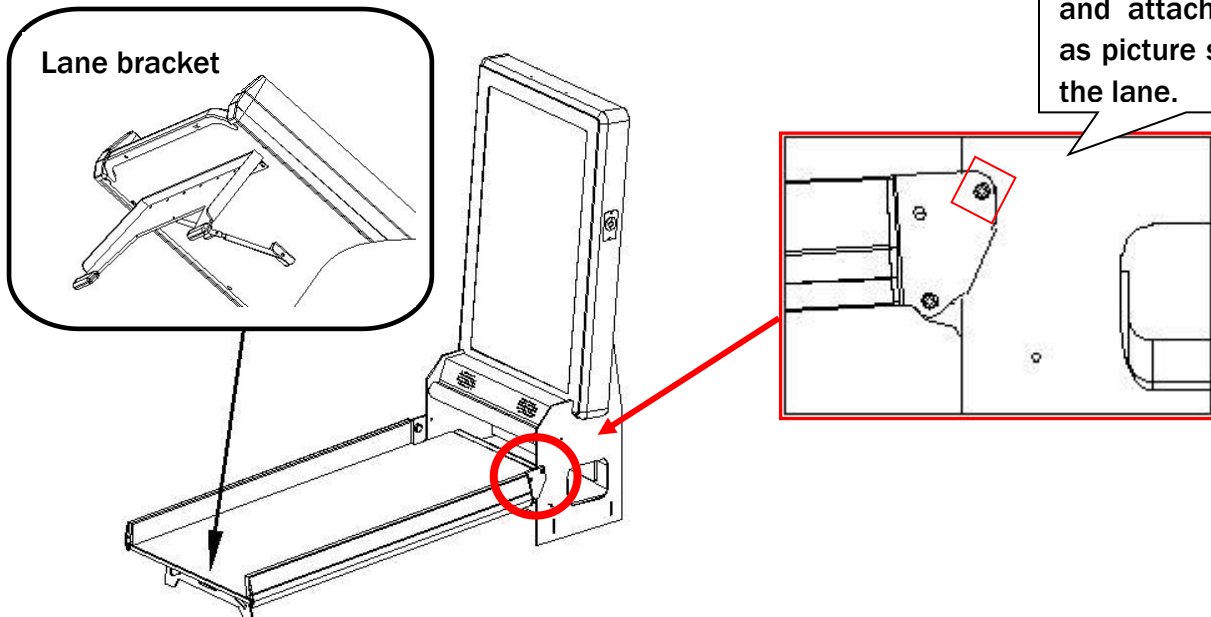
**Step 2** Utilize Phillips screwdriver to loosen the screws to remove the original bracket, and install the new bracket. Then erect the lane bracket, spin the support bar to fix it, and attach the screws as picture shown to fix the lane.




Spin the little bar to lengthen the support bar through the hole.

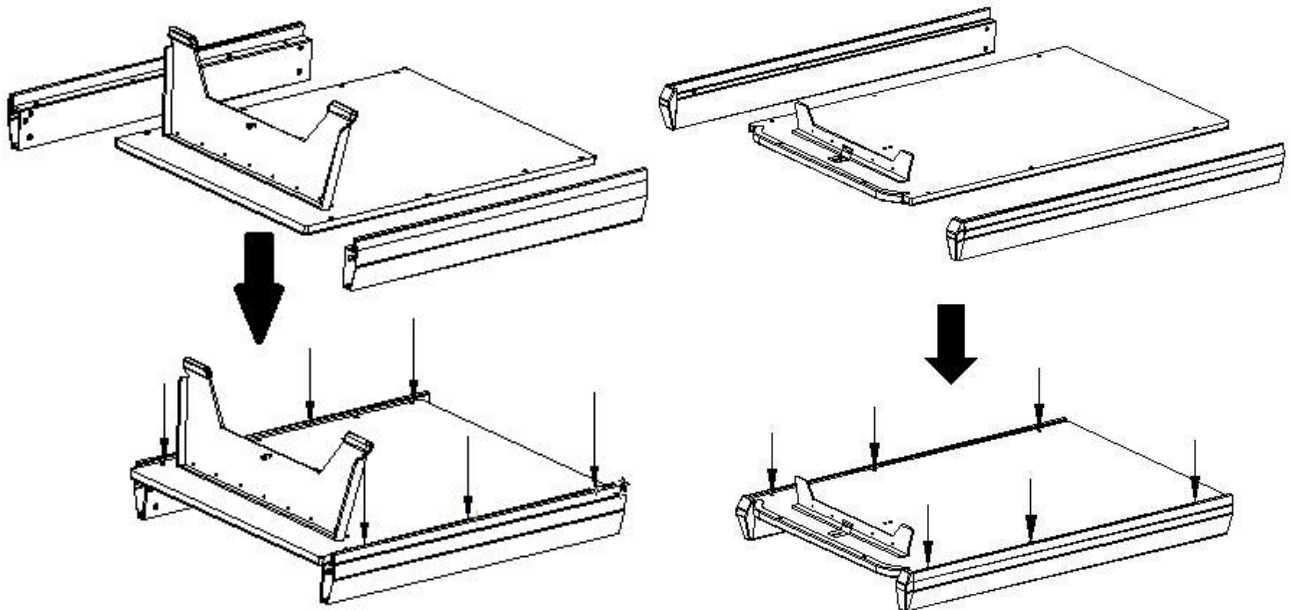


Lay down the lane, and attach the screw as picture shown to fix the lane.




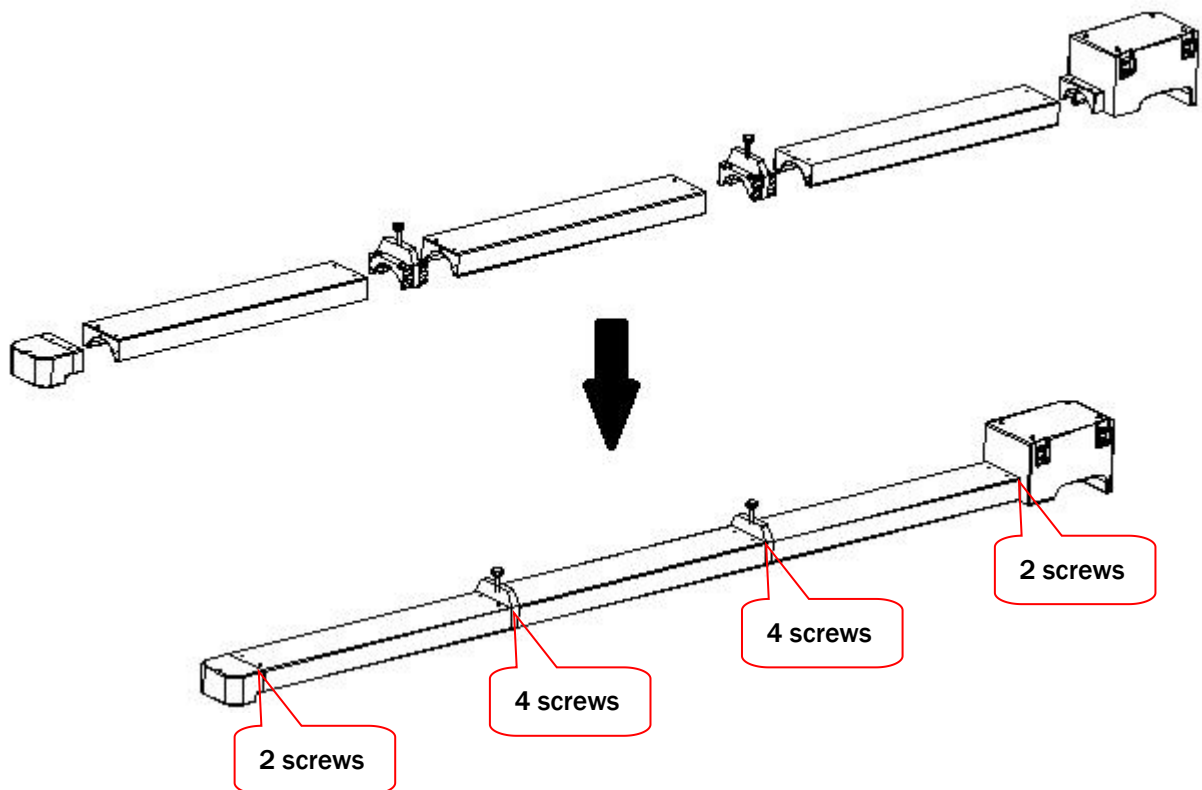
**Step 3** Install the extended lane part by wrench as picture shown.

No.	Part No.	Name	Picture	Qty
1	B130-314-000	Cross recessed hexagon screw set		12



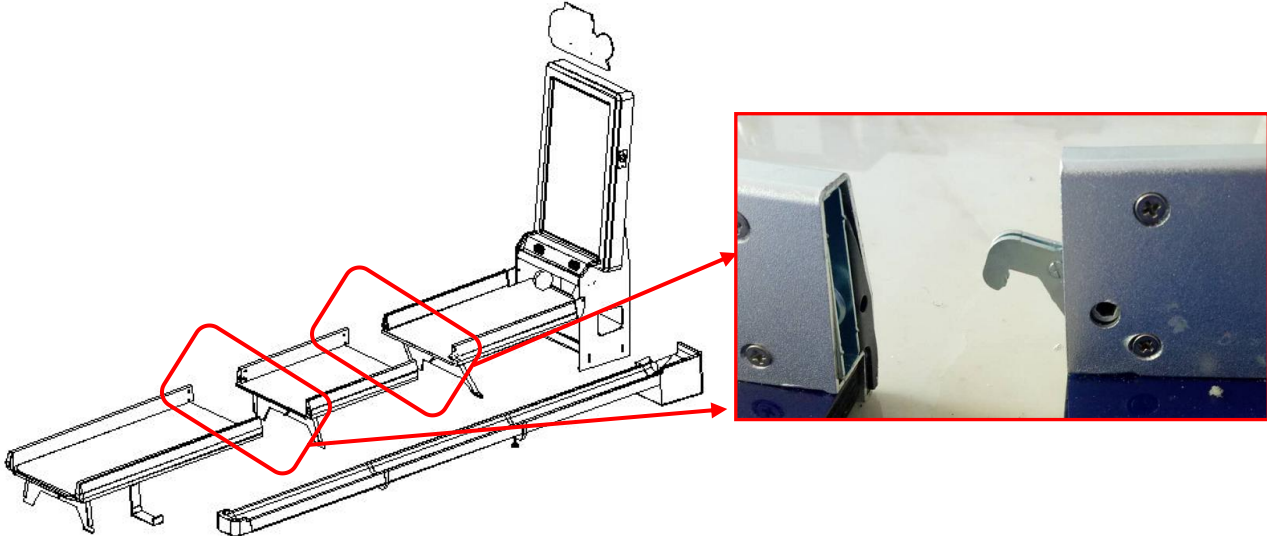
**Step 4** Install the ball slot part by Phillips screwdriver as picture shown.

No.	Part No.	Name	Picture	Qty
1	B130-322-000	Cross head screw set		12

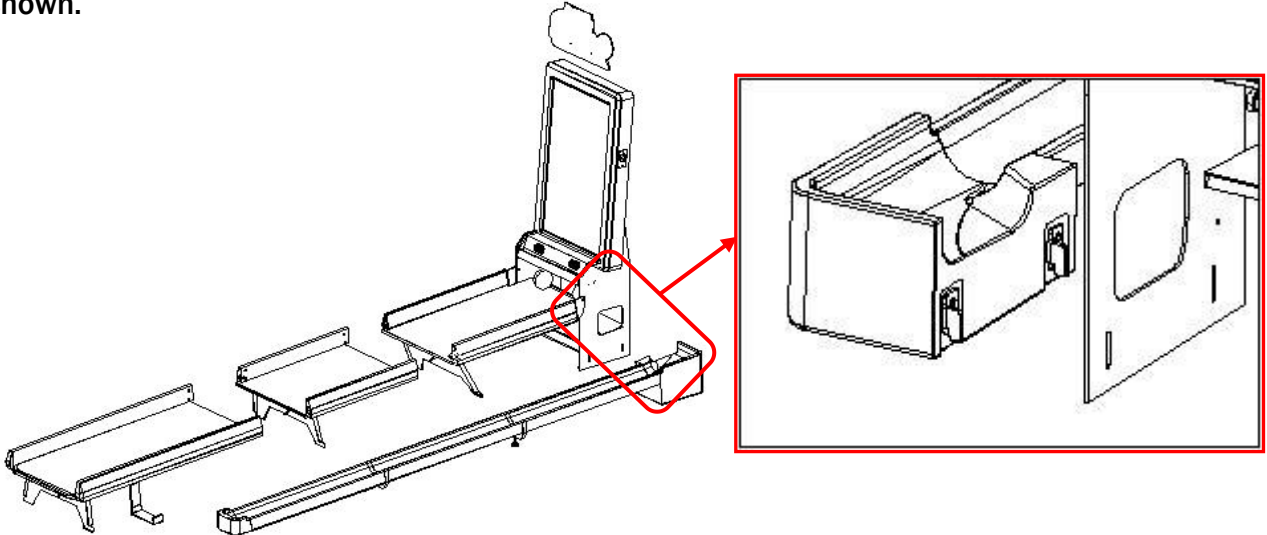





**Step 5** Use the Allen hexagon wrench to lock the extended lane part as picture shown.

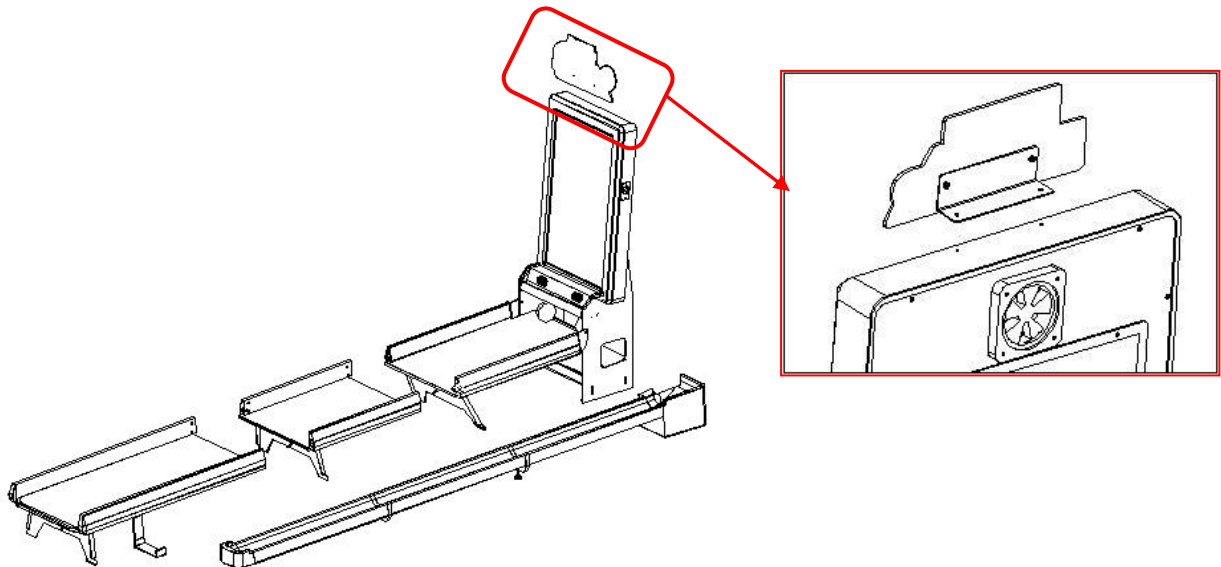


**Step 6** Match the red circle area and install the ball slot part on the machine as picture shown.



**Step 7** Use Phillips screwdriver Install the marquee part on the machine as picture shown.

No.	Part No.	Name	Picture	Qty
1	B130-103-000	Cross round head screw		2

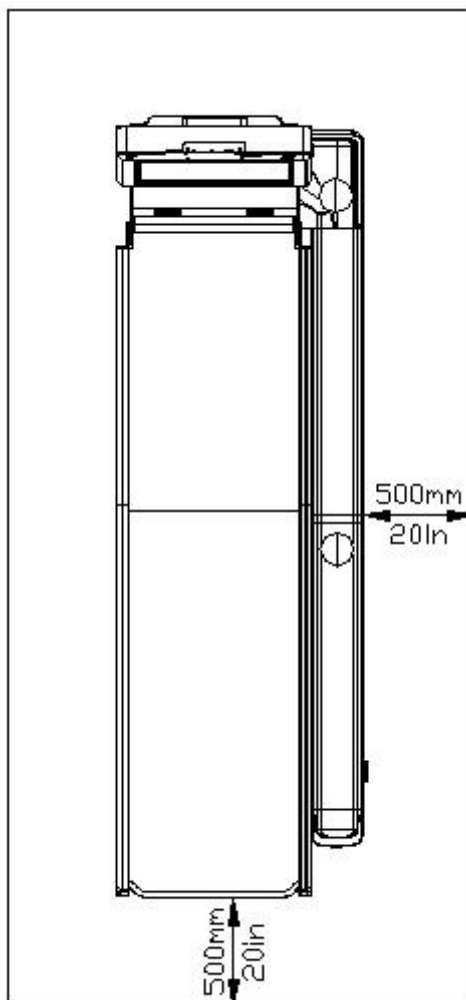


### **4.3 PLAY ZONE**

This machine requires space for playing and for maintenance as shown below.

Leave space around the game upon installation:

Service area: 20 in



## 5. HOW TO PLAY

- 5.1 Roll the ball down to active lane.
- 5.2 Roll the ball down the lane to hit the pins.
- 5.3 Enjoy your entertainment bowling experience!



## 6. GAME OPTION

### 6.1 Setting menu

#### 6.1.1 Main menu

Basic Setting
Customized Setting
Input Test
Infrared Test
Game Reset
Date/Time Setting
Language/语言
About This Game
Back to game

#### 6.2.2 Basic Setting

Demo Music	OFF/ON
Volume	1-10(7)
Go Back&Save	
Back	

#### 6.2.3 Customized Setting

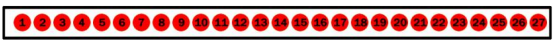
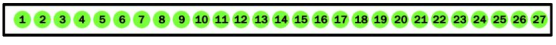
Regulation Mode	OFF/ON
Alternating Ball Color	OFF/ON
Player Number	1-6(2)
Number of Frames	Frame 1-10(3)
Number Of Strike(s) To Enter the Golden Pin Stage	1-3(1)
Golden Pin Stage	OFF/ON
Golden Pins Set	10-100(100)
Each Golden Pin Score	1-10(1)
Top Ranking	OFF/ON
Bumper Version	OFF/ON

Top Ranking Name inputing Time	5-10-15-20
Number of Top Players	5-10-15-20
Top Ranking Score Range	100-200-500-600-800-1000-1200-1500-2000
Light Control	Random/White/Red/ Green/Blue/Yellow/ Magenta/Cyan
Go Back&Save	
Back	

#### 6.2.4 Input Test

Up Button	OFF/ON
Down Button	OFF/ON
Left Button	OFF/ON
Right Button	OFF/ON
Enter Button	OFF/ON
Ball Signal	OFF/ON
Ball Location	0-100
Ball Speed	0-100
Back	

#### 6.2.5 Infrared Test

	Red: OFF
	Green: ON

### 6.2.6 Game Reset

Factory Restore	Cancel /Clear
Reset Basic Setting	Cancel /Clear
Reset Customized Setting	Cancel /Clear
Reset Top Ranking Setting	Cancel /Clear
Back	

### 6.2.7 Date/Time Setting

Year	2010-2100
Month	1-12
Day	1-31
Hour(24)	0-23
Minute	0-59
Second	0-59
Go Back & Save	
Back	

### 6.2.8 About This Game

CPU
Motherboard
Disk Drive
Memory
Display Adapter
Monitor
Screen
Version
Press the Test Button to Go Back


## 7. TROUBLE SHOOTINGS


### 7.1 Common Problem

Please confirm that all connectors fit tightly.

Symptom	Possible Cause	Recommended action
Game will not start	Frame assembly connector is loose.	Check connector.
	Frame assembly fault	Contact with UNIS Service.
Power off	Circuit protector make power SW in off state.	Turn on power SW again. If appeared again and again, machine has anomaly. Please contact with UNIS Service.
No sound	Low volume	Raise the volume.
	Connector loose.	Check connector.
	Speaker fault.	Check speaker.
	POT installation error.	Install POT correctly.
	POT fault.	Change POT.
	Audio cable problem.	Reconnect the audio cable or change it.
Display black screen	Driver problem	Restart the audio driver.
	Check connectors.	Plug in connector tightly
	RAM is loose.	Remove and reinsert RAM.
	VGA signal cable is loose.	Check VGA cable
	“0X000000A” code appears. Conflict between computer drive and software.	Contact service

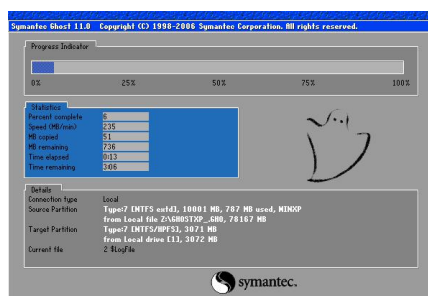
If you see following error signs showing on the display, please try the recommended action.

Display	Possible Cause	Recommended action
	The connection part of the IO board and PC are loose.	Check and reconnect the loose ports of the PC or IO board.
	Cable quality problem	Change the cable after checking the connection between IO board and PC.
	Cable became loose during transportation.	Check and reconnect the loose cables of the PC or IO board.
	IO board is faulty.	Reboot the game after checking connection and cable problem, if the problem remains unresolved, please call the service department for assistance.

Display	Possible Cause	Recommended action
 Infrared ERROR	Loose connection to the sensor's cables.	Check and reconnect the loose cables of sensor.

## 7.2 System Recovery Operation **(NOTE: Do not disconnect power during this process.)**

1. Turn off the game. Remove recovery stick from the machine. (Note: This process may take up to 60 minutes) Insert the recovery stick into the port at the back of the computer.
2. Restart PC to enter the system recovery screen as shown.




3. The game will automatically start recovery.
4. Once system recovery is partially finished (as shown below), and the ICON appears, remove the recovery stick from the computer. The game will continue the install process.

OK to remove the recovery stick.



5. Assure that the recovery stick has been properly secured for future use.

 **WARNING:** The recovery stick should only be used to fix software errors. Using it for other purposes may cause unexpected results and damages.



## 8. MAINTENANCE & INSPECTION

### 8.1 Safety Check

Check the points listed before operating the machine. These checks are necessary for safe machine operation:

1. Test game before operation each day.
2. Conduct monthly routine checks of game components to ensure good working condition
3. Check the machine regularly for dust and clean when necessary.

**Note:** Parts and components require preventative maintenance to maintain proper operation.

### 8.2 Handling Precautions

When installing or inspecting the machine, be very careful of the following points and pay attention to ensure that the player can enjoy the game safely.

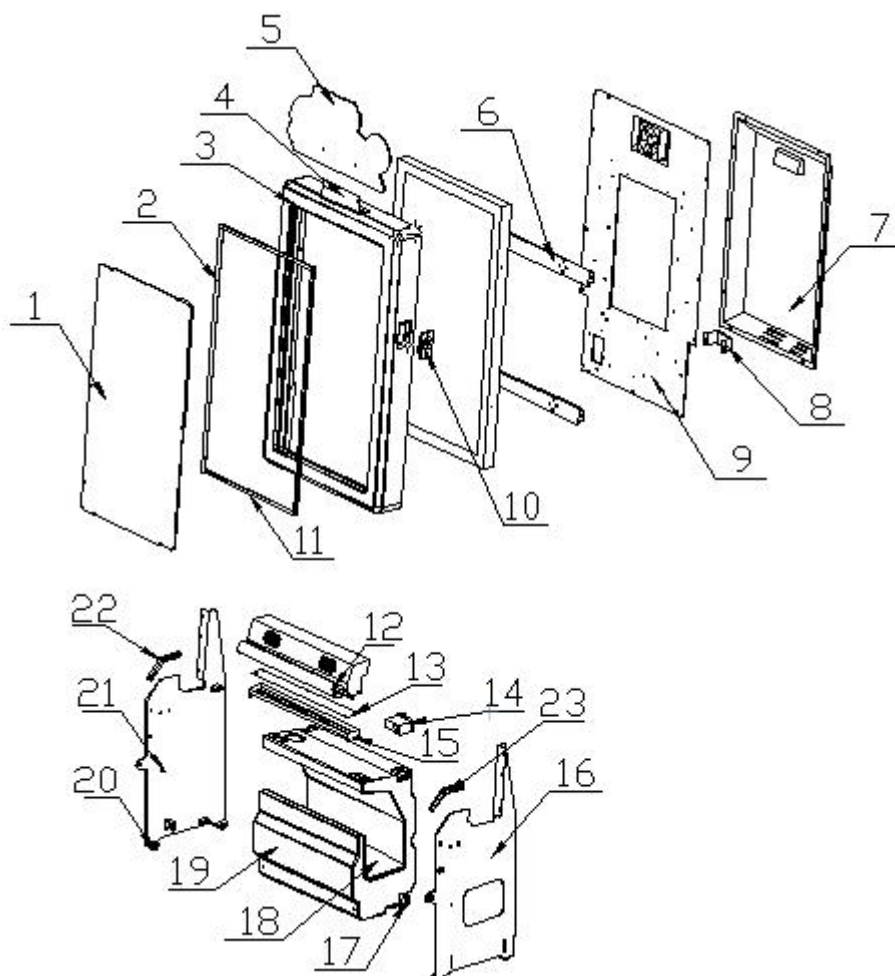
Non-compliance with the following points or inappropriate handling running counter to the cautionary matters herein stated can cause personal injury or damage to the machine

 **NOTICE**

**We do not recommend using power tools as they may cause damage.**

## 9. OVERALL CONSTRUCTION

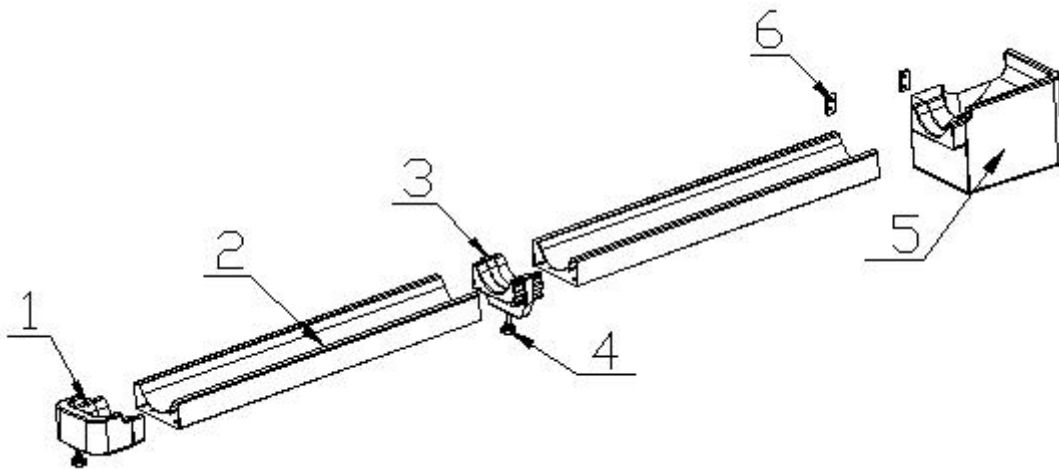
### 9.1 Monitor Assembly



No.	Part No.	Code	Name	Qty
1	B130-105-000	20611605J018	Monitor protect plate	1
2	B130-118-000	20611605J005	Monitor foam	2
3	B130-104-000	20611605J008	Monitor frame	1
4	B130-103-001	20211605J025A	POP fix plate	1
5	B130-702-000	20511605J001	Marquee POP	1
6	B130-113-000	20211605J003	Monitor mounting bar	2
7	B130-114-001	20211605J021A	Monitor frame back cover	1
8	B130-123-000	20211605J019	Power supply fix plate	1
9	B130-115-000	20611605J002	Monitor cover	1
10	B130-120-000	20211605J004	Button fix plate	1
11	B130-119-000	20611605J006	Monitor foam	2
12	B130-108-000	20611605J013	Orange vinyl	1
	B130-109-000	20211605J002	Fuse	1

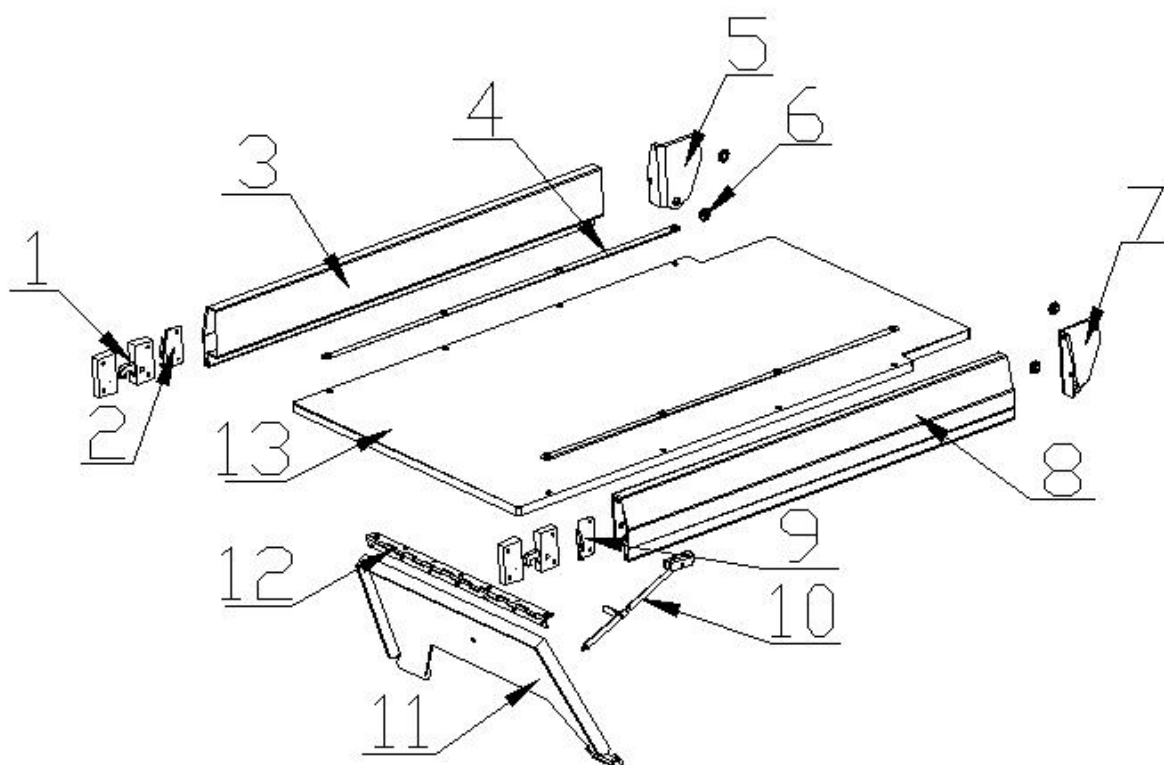
No.	Part No.	Code	Name	Qty
13	B130-121-000	20211605J005	Sensor cover	1
14	B130-117-000	20211605J018	Post fix plate	1
15	B130-111-000	20211605J001	Sensor frame	1
16	B130-110-000	20211605J024	Bracket R side plate	1
	B130-140-001	20211605J016A	Screw	1
17	B130-415-000	20840910002	1.5'caster	2
18	B130-112-000	20611605J007	Damping foam	1
19	B130-106-000	20611605J009	Ball damping frame	1
20	B130-116-000	20611605J015	Pad	4
21	B130-107-000	20211605J023	Bracket L side plate	1
	B130-140-001	20211605J016A	Screw	1
22	B130-155-000	20611605J024	R side damping block	1
23	B130-156-000	20611605J023	L side damping block	1

## 9.2 Ball Slot



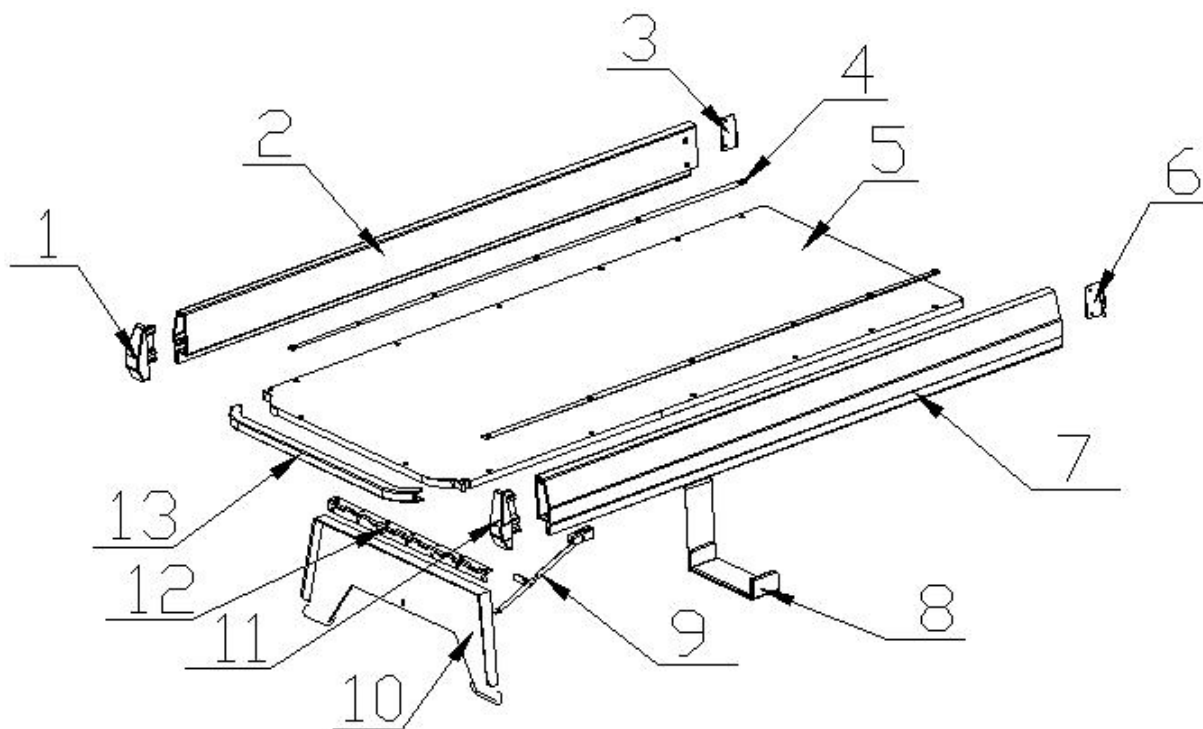
No.	Part No.	Code	Name	Qty
1	B130-147-000	20611605J011	Ball hopper	1
2	B130-145-000	20211605J031	Ball slot	2
3	B130-150-000	20611605J012	Ball return connect part	1
4	B130-149-000	20611605J017	Lever	2
5	B130-146-000	20611605J010	Ball connecting hopper	1
6	B130-148-000	20211605J020	Lane hook	2

### 9.3 Front Lane



No.	Part No.	Code	Name	Qty
1	B130-416-000	25300000148	R5 lock	2
2	B130-135-000	20211605J006	Lock L fix plate	1
3	B130-125-000	20211605J027	Lane L side bar	1
4	B130-139-000	20211605J008	Screw connect plate 1	2
5	B130-131-000	20211605J029	R side connect plate	1
6	B130-134-000	20611605J016	Damping pad	4
7	B130-126-000	20211605J028	R side connect plate	1
8	B130-124-000	20211605J026	Lane R side bar	1
9	B130-136-000	20211605J007	Lock R fix plate	1
10	B130-141-000	20211605J011	Support bar 1	1
	B130-142-000	20211605J012	Support bar 2	1
	B130-143-000	20211605J013	Support bar 3	1
	B130-144-000	20211605J009	Fix bracket	1
11	B130-138-000	20611605J020	Lane bracket	1
12	B130-129-000	20211605J015	Hinge	1
13	B130-501-000	20311605J001	Front lane plate	1

### 9.4 Back Lane

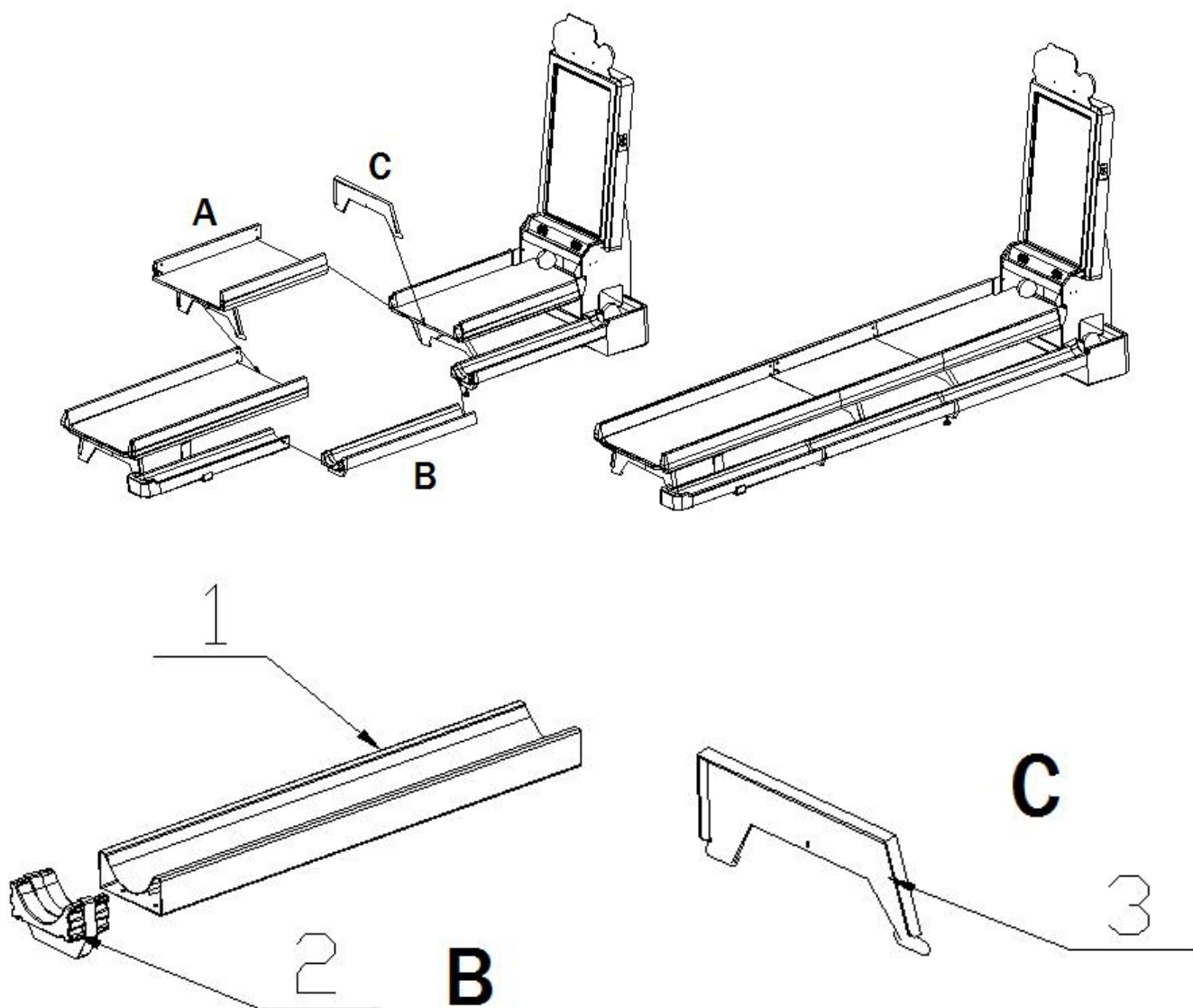


No.	Part No.	Code	Name	Qty
1	B130-130-000	20611605J004	L side bar cover	1
2	B130-153-000	20211605J033	Lane back side bar(L)	1
3	B130-135-000	20211605J006	Lock L fix plate	1
4	B130-152-000	20211605J010	Screw connect plate 3	4
5	B130-502-000	20311605J002	Back lane plate	1
6	B130-136-000	20211605J007	Lock R fix plate	1
7	B130-151-000	20211605J032	Lane back side bar(R)	1
8	B130-154-000	20211605J022	Lane fix bracket	1
9	B130-141-000	20211605J011	Support bar 1	1
	B130-142-000	20211605J012	Support bar 2	1
	B130-143-000	20211605J013	Support bar 3	1
	B130-144-000	20211605J009	Fix bracket	1
10	B130-133-000	20611605J001	Lane bracket	1
11	B130-128-000	20611605J003	R side bar cover	1
12	B130-129-000	20211605J015	Hinge	1
13	B130-127-000	20211605J017	Protect plate	1

### 9.5 Optional Components

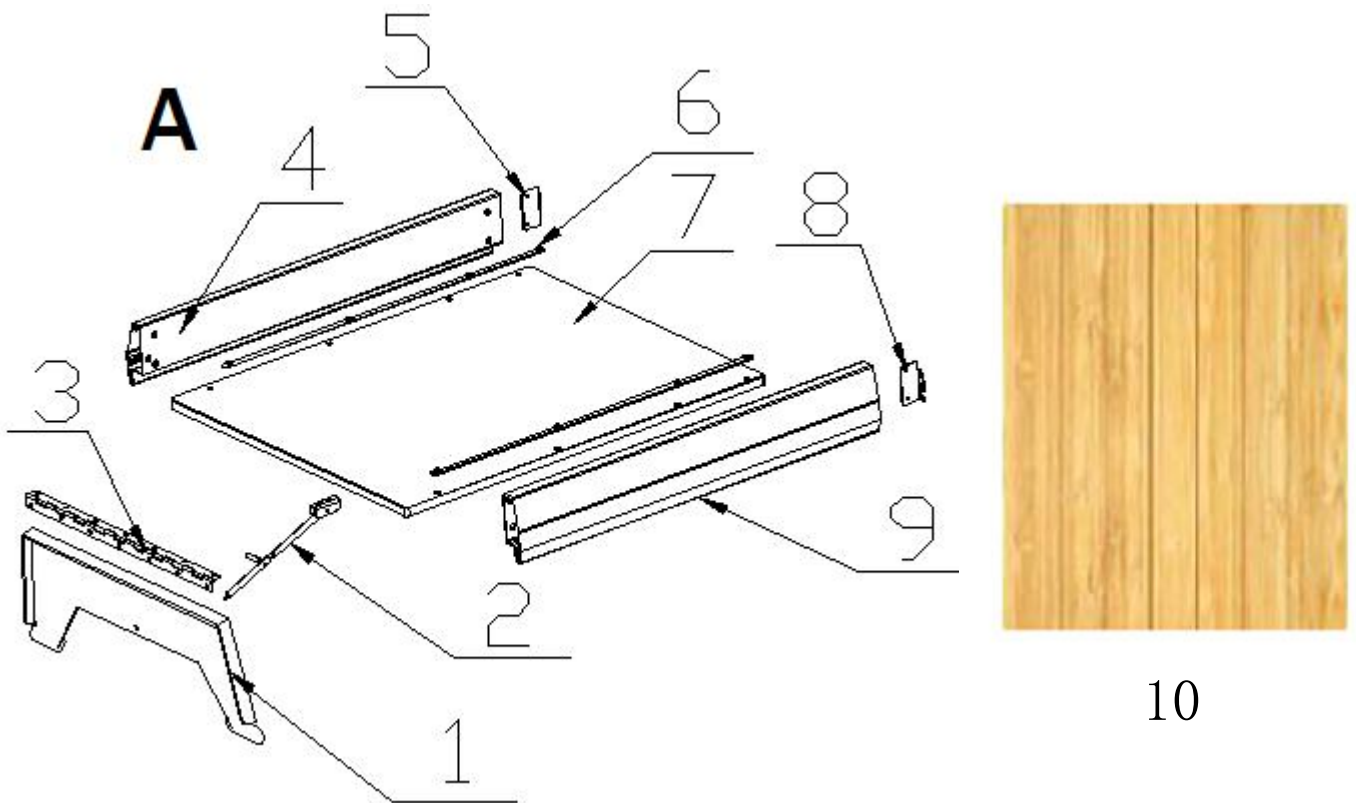
No.	Name	Qty
A	Extended lane	1
B	Extended ball slot	1
C	Lane bracket	1

Note: Please replace the original lane bracket with C (B130-183-000) if regular version machine is installed. Please refer to 4.2 for the Installation instruction.



No.	Part No.	Code	Name	Qty
1	B130-185-000	20211605J031	Ball slot	1
2	B130-184-000	20611605J012	Ball return connect part	1
3	B130-183-000	20211605J036	Lane bracket	1

## Extended Lane Assembly



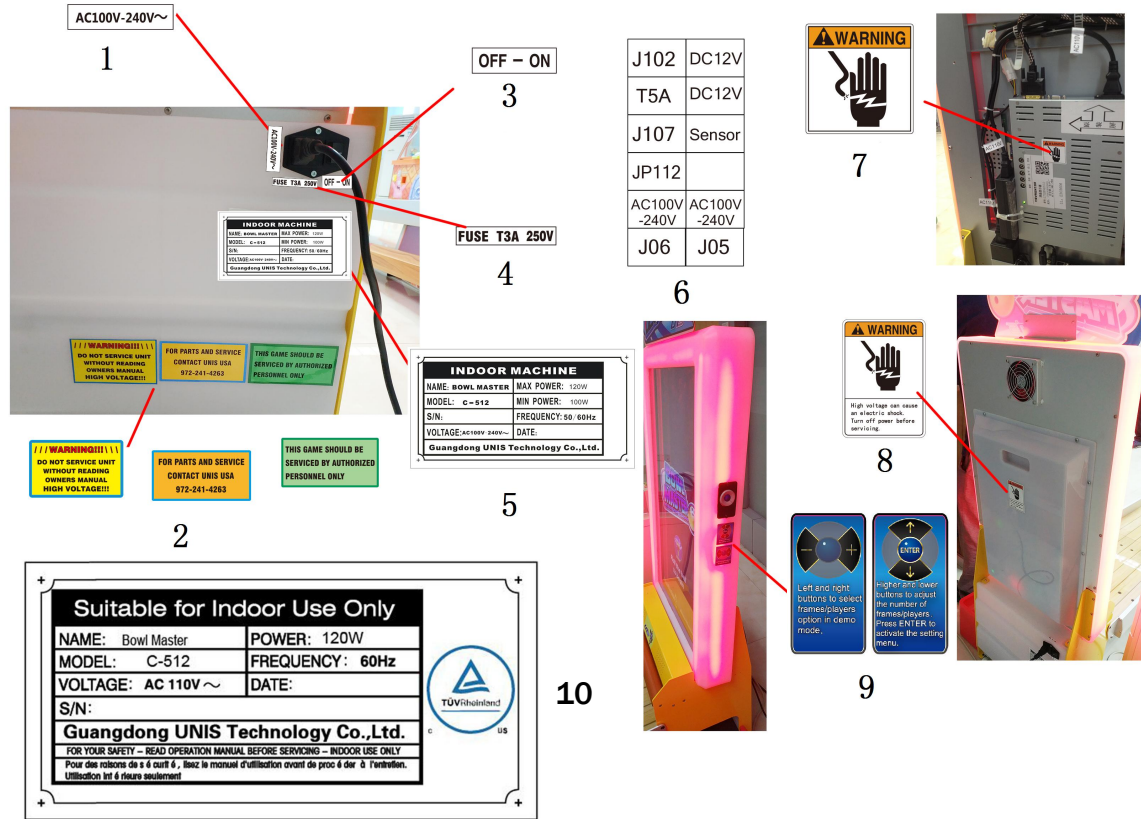
No.	Part No.	Code	Name	Qty
1	B130-171-000	20211605J037	Lane bracket	1
2	B130-181-000	20211605J009	Fix bracket	1
	B130-180-000	20211605J011	Support bar 1	1
	B130-179-000	20211605J012	Support bar 2	1
	B130-178-000	20211605J013	Support bar 3	1
3	B130-172-000	20211605J015	Hinge	1
4	B130-176-000	20211605J038	Lane middle side bar(L)	1
5	B130-173-000	20211605J006	Lock L fix plate	1
6	B130-177-000	20211605J039	Screw connect plate 2	2
7	B130-505-000	20311605J003	Middle lane plate	1
8	B130-174-000	20211605J007	Lock R fix plate	1
9	B130-175-000	20211605J035	Lane middle side bar(R)	1
10	B130-730-000	20511605J004	Lane middle decal	1

## 9.6 Decals



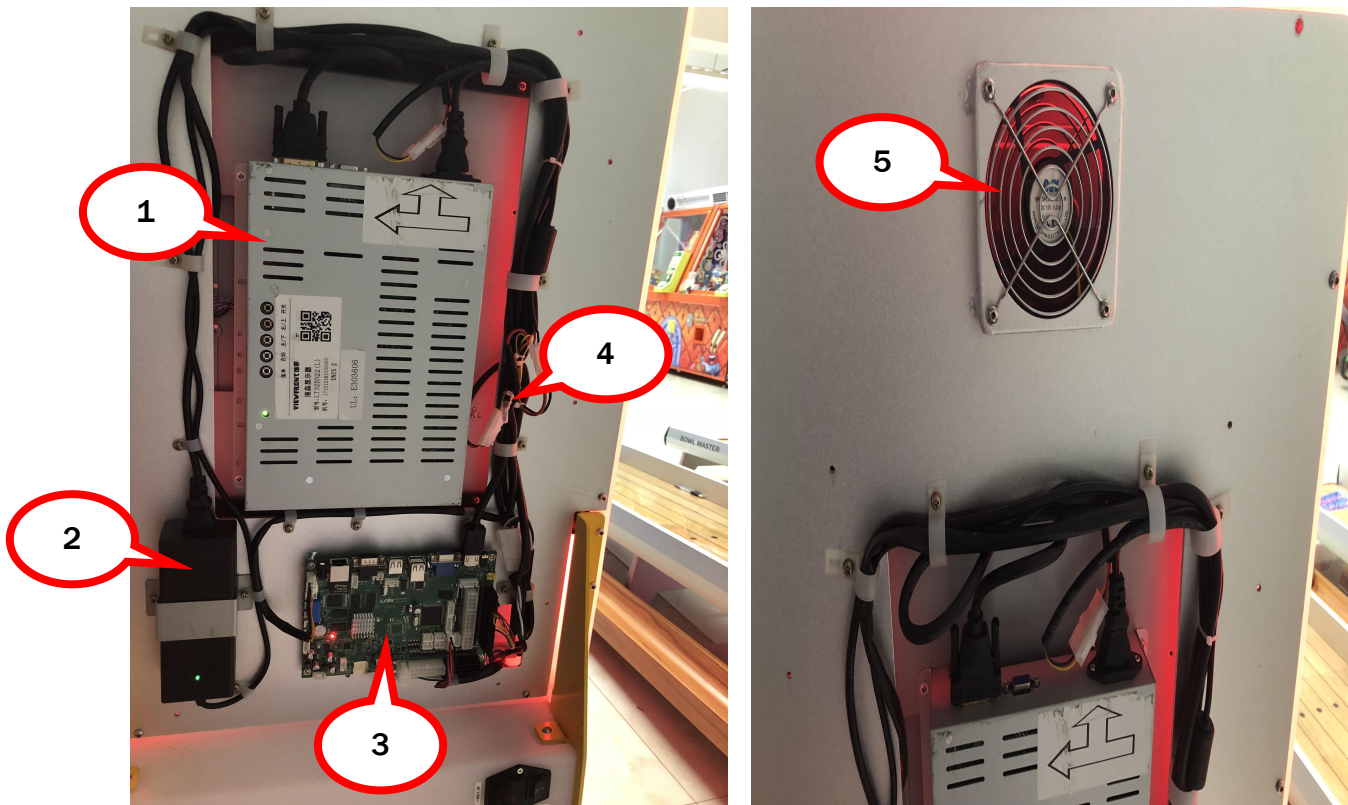
No.	Part No.	Code	Name	Qty
1	B130-702-000	20511605J001	Marquee POP	1
2	B130-703-001	20511605J002A	Lane front decal	1
3	B130-704-000	20511605J003	Lane back decal	1
4	B130-707-000	20511605J007	Side LOGO decal	1
5	B130-708-000	20511605J008	Ball slot LOGO decal	1
6	B130-707-000	20511605J007	Side LOGO decal	1
7	B130-705-000	20511605J005	Speaker decal	1
8	B130-706-001	20511605J006A	Monitor side decal	1



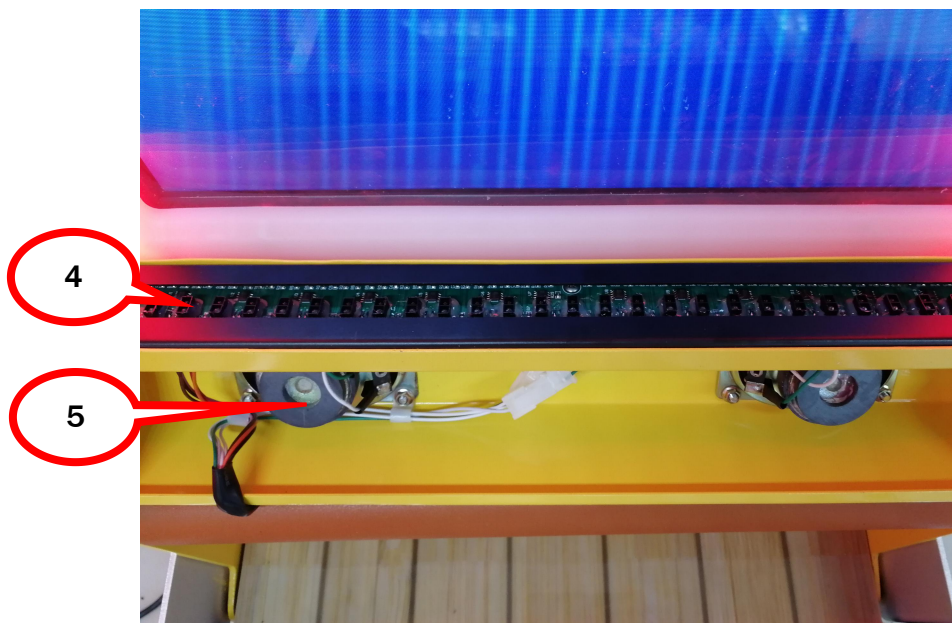
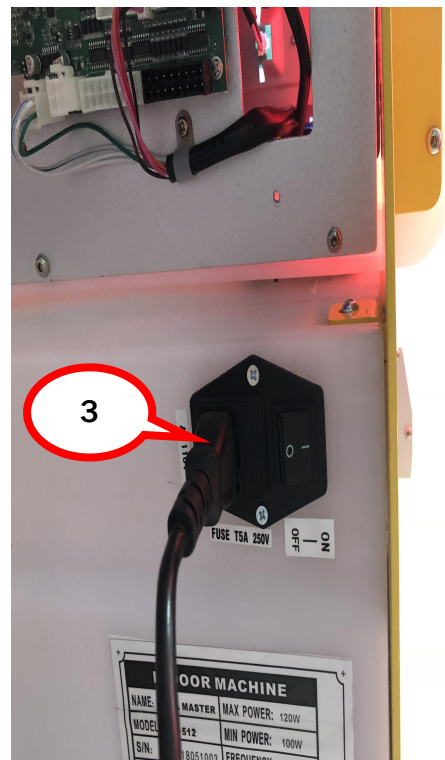


No.	Part No.	Code	Name	Qty
1	B130-711-000	20511605J011	Voltage label	1
2	B130-717-000	25600000067	Service label	1
	B130-720-000	25600000095	Service label (L)	1
	B130-716-000	25600000042	Service label 1	1
3	B130-713-000	25600000018	Power SW label	1
4	B130-701-000	25600000073	Fuse label	1
5	B130-710-000	20511605J010	Nameplate	1
6	B130-709-000	20511605J009	Cable tie label	1
7	B130-714-000	25600000036	Warning label (S)	2
8	B130-715-000	25600000037	Warning label (L)	2
9	B130-706-001	20511605J006A	Monitor side decal	1
10	B130-721-000	20511605J012	TUV 110V nameplate	1

## 9.7 Electrical Part

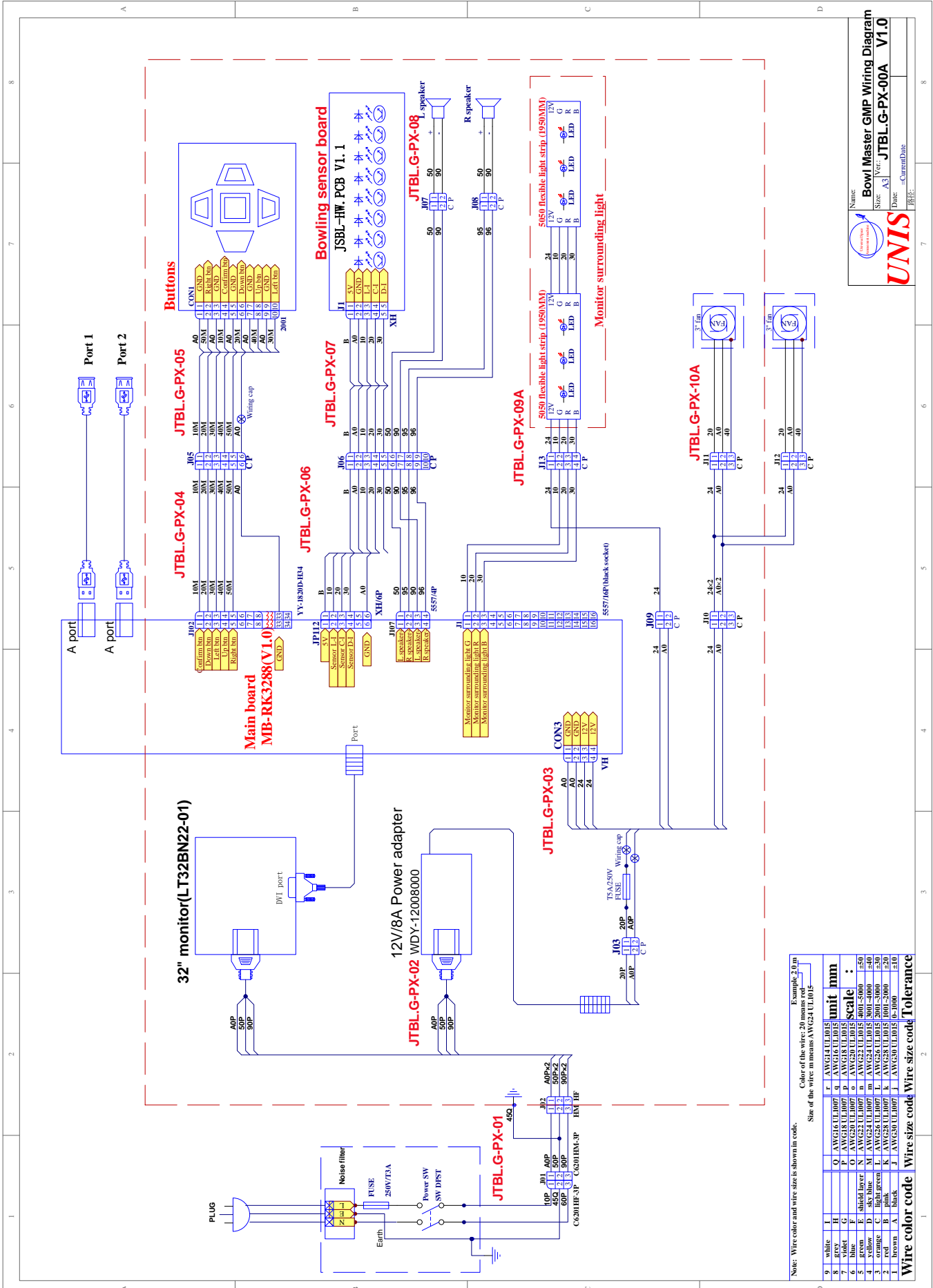



No.	Part No.	Code	Name	Qty
1	B130-402-001	21201032018	32" monitor	1
	B130-412-000	23307010003	Video cable	1
2	B130-403-000	21603000051	Adapter	1
3	B130-401-000	21107210027	Android board	1
	B130-413-000	23309000263E	Cable set	1
4	B130-405-000	21901000012	Fuse	2
	B130-406-000	21902000024	Fuse bracket	1
5	B130-409-000	22702010021	Fan	2
	B130-422-000	22702000011	Fan net	4



No.	Part No.	Code	Name	Qty
1	B130-407-002	22002016044	B5050 light strip	4M
2	B130-408-000	22402070002	Button assembly	1
3	B130-410-000	23201000003	Filter	1
	B130-411-000	23301010020	Power cord	1
	B130-404-000	21901000010	Fuse	1
4	B130-414-000	29711605002A	Sensor board	1
5	B130-420-001	22801000093	Speaker	2

# 10.WIRING DIAGRAM



Name: **Bowl Master GMP Wiring Diagram**  
 Size: A3 Ver: **JTBL-G-PX-00A V1.0**  
 Date: \_\_\_\_\_ Cur: \_\_\_\_\_  


Note: Wire color and wire size is shown in code.  
 Example: 2.0 mm

Wire color code	Wire size code	Wire size code	Wire size code	Tolerance
9	white	I	AWG24 UL1015	±0.10
8	grey	H	AWG24 UL1015	±0.10
7	violet	G	AWG24 UL1015	±0.10
6	blue	F	AWG24 UL1015	±0.10
5	green	E	AWG24 UL1015	±0.10
4	yellow	D	AWG24 UL1015	±0.10
3	orange	C	AWG24 UL1015	±0.10
2	red	B	AWG24 UL1015	±0.10
1	brown	A	AWG24 UL1015	±0.10

Color of the wire: 20 means red-  
 Size of the wire in mm: AWG24 UL1015