

IMPORTANT



Be Sure
to Read this
Manual
Before Use



Operation Manual

WE ARE HERE TO ASSIST For parts and service



Have Questions? Contact us!

UNIS SERVICE CENTER
Tel: 972-241-4263
Email: service@unispartsandservice.com
www.unispartsandservice.com

When contacting Service, you will need the following information
and the name of your authorized distributor.

Suitable for Indoor Use Only	
NAME: Basketball Elite GMP	MAX POWER: 270W
MODEL: C-598	MIN POWER: 180W
VOLTAGE: AC220-240V ~	FREQUENCY: 50/60Hz
S/N:	DATE:
Guangdong UNIS Technology Co.,Ltd.	

Suitable for Indoor Use Only	
NAME: Basketball Elite GMP	MAX POWER: 270W
MODEL: C-598	MIN POWER: 180W
VOLTAGE: AC 110V ~	FREQUENCY: 50/60Hz
S/N:	DATE:
Guangdong UNIS Technology Co.,Ltd.	

CONTENT

IMPORTANT SAFETY INSTRUCTIONS.....	3
1. SPECIFICATIONS.....	5
2.CONTENTS OF THE ACCESSORY KIT.....	7
3. PART NAME.....	8
4. SET UP & INSTALLATION.....	9
5. HOW TO PLAY.....	17
6. GAME OPTION.....	21
7. TROUBLESHOOTING.....	22
8. MAINTENANCE & INSPECTION.....	23
9. OVERALL CONSTRUCTION.....	24
10. WIRING DIAGRAM.....	36

Thank you for purchasing **Basketball Elite GMP**. We hope you enjoy the product.

This manual contains valuable information about how to operate and maintain your game machine properly and safely. It is intended for the owner and/or personnel in charge of product operation. Carefully read and understand the instructions.

If you need any help during installation and setup please utilize this manual and troubleshooting guide. If the product fails to function properly, *non-technical personnel should under no circumstance attempt to service the machine*. Contact your distributor or manufacturer for help.

Before use, please read **IMPORTANT SAFETY INSTRUCTIONS**.

IMPORTANT SAFETY INSTRUCTIONS

To ensure the safe usage of this product, carefully read and understand these instructions before operating your game.

Save these instructions for future reference.

Use this product only as described in this manual. Other uses not recommended may cause fire, electric shock or personal injury. Unplug the game from the outlet when not in use, when moving from one location to another, and before cleaning/servicing.

Explanations which require special attention are indicated by signs of warning. Depending on the potential hazardous degree, the terms: **NOTE**, **NOTICE**, and **WARNING** are used.

NOTE: A NOTE indicates useful hints or information about product usage.

NOTICE: A NOTICE indicates potential damage to product and how to avoid the problem.

WARNING: A WARNING indicates a potential for product damage or serious personal Injury.

It is important to understand the meaning of the following HAZARD SIGNS before continuing:

High Voltage and Shock Hazard:

High voltage can cause electric shock.
Turn off/unplug power before servicing.



High Temperature Hazard:

This part may cause scalding.
Do not touch. Surface may be hot.



No Touching Hazard:

This part may be hot or can cause electric shock.
Do not touch.



Use the following safety guidelines to help ensure your own personal safety and to help protect your equipment and surrounding environment from potential damage.

⚠️ This product is an indoor game machine. Do not install outdoors.

Avoid installing in the following places to prevent fire, electric shock, injury and/or machine malfunctioning:

- Places subject to rain/moisture, or places subject to high humidity.
- Places subject to direct sunlight, or places subject to extremely hot or cold temperatures to ensure that it is used within the specified operating range.
- Places where inflammable gas may be present or in the vicinity of highly inflammable/volatile chemicals or items that can easily catch fire.
- On unstable or sloped surfaces. The machine may topple or cause unforeseen accidents.
- Vicinity of fire exits, fire extinguishers etc that may block/prevent safety measures.

IMPORTANT NOTE:

ALL REPAIRS MUST BE DONE TO ORIGINAL MANUFACTURER SPECIFICATIONS. FAILURE TO DO SO VOID ALL WARRANTIES AND OPERATOR ASSUMES ALL RISKS.

Note: The contents of this manual may be updated without notice.

1. SPECIFICATIONS

Rated power supply: AC110V 50/60Hz; AC220V 50/60Hz

Min. Power consumption: 180W

Max. Power consumption: 270W

Dimension: W31.97×D96.85×H97.6 in

W812 ×D2460 ×H2480 mm

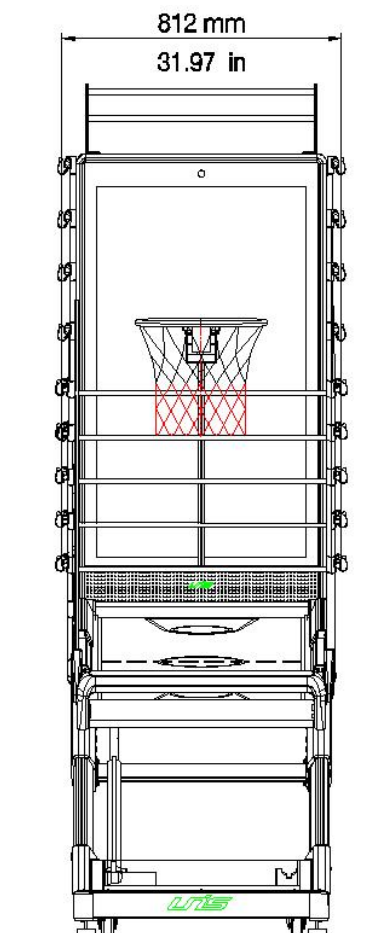
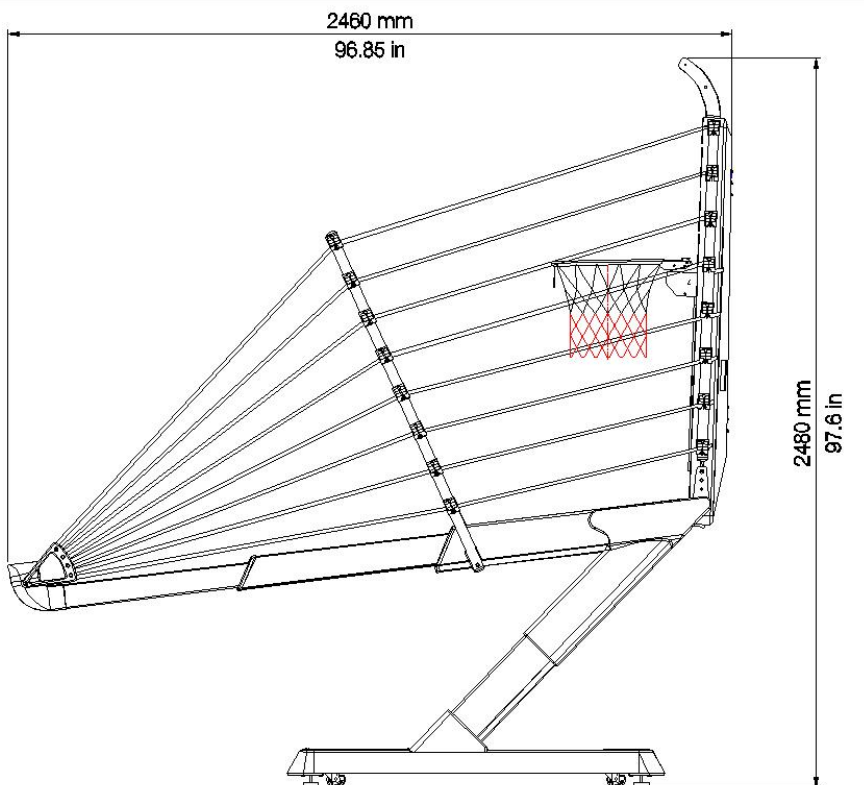
Weight: Approximately 396.83 lb/ 180 kg

Part No: B137

Model No: C-598



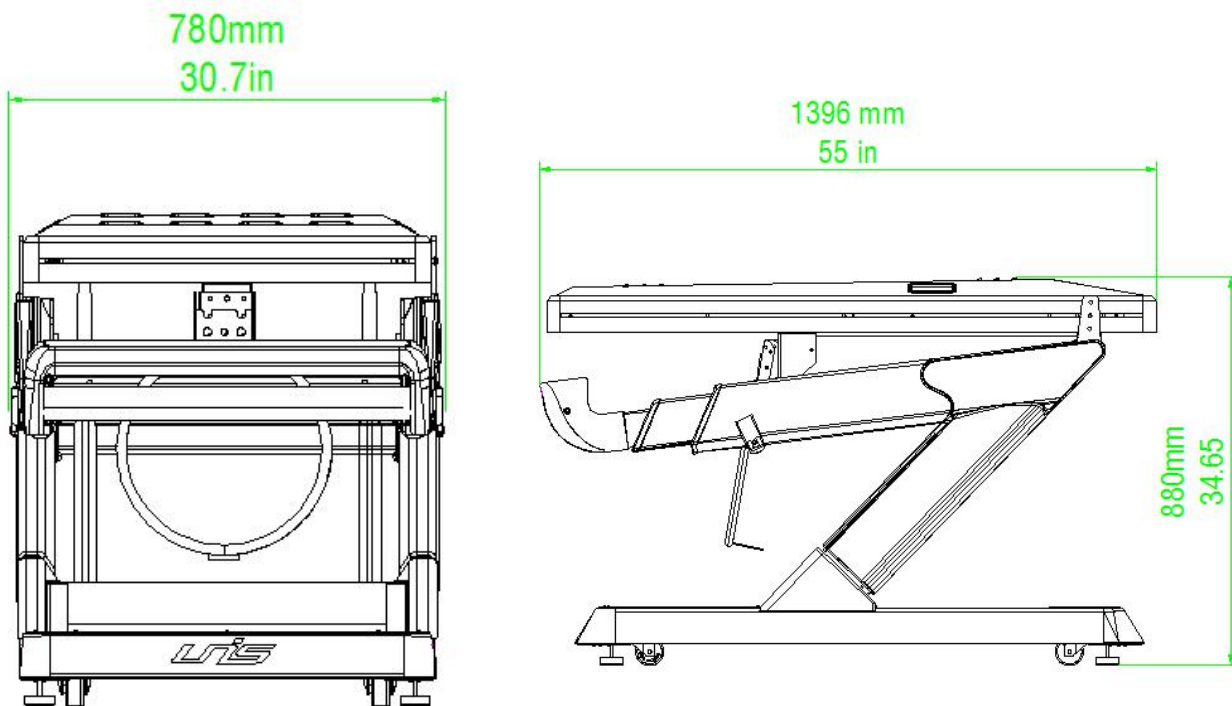
NOTICE: After turning off the game, please wait at least 1 minute before restarting again.



Note: Game specifications are subject to change without notice.

Packing Size:W30.7×D55×H34.65 in

W780 ×D1396 ×H880 mm



Note: Game specifications are subject to change without notice.

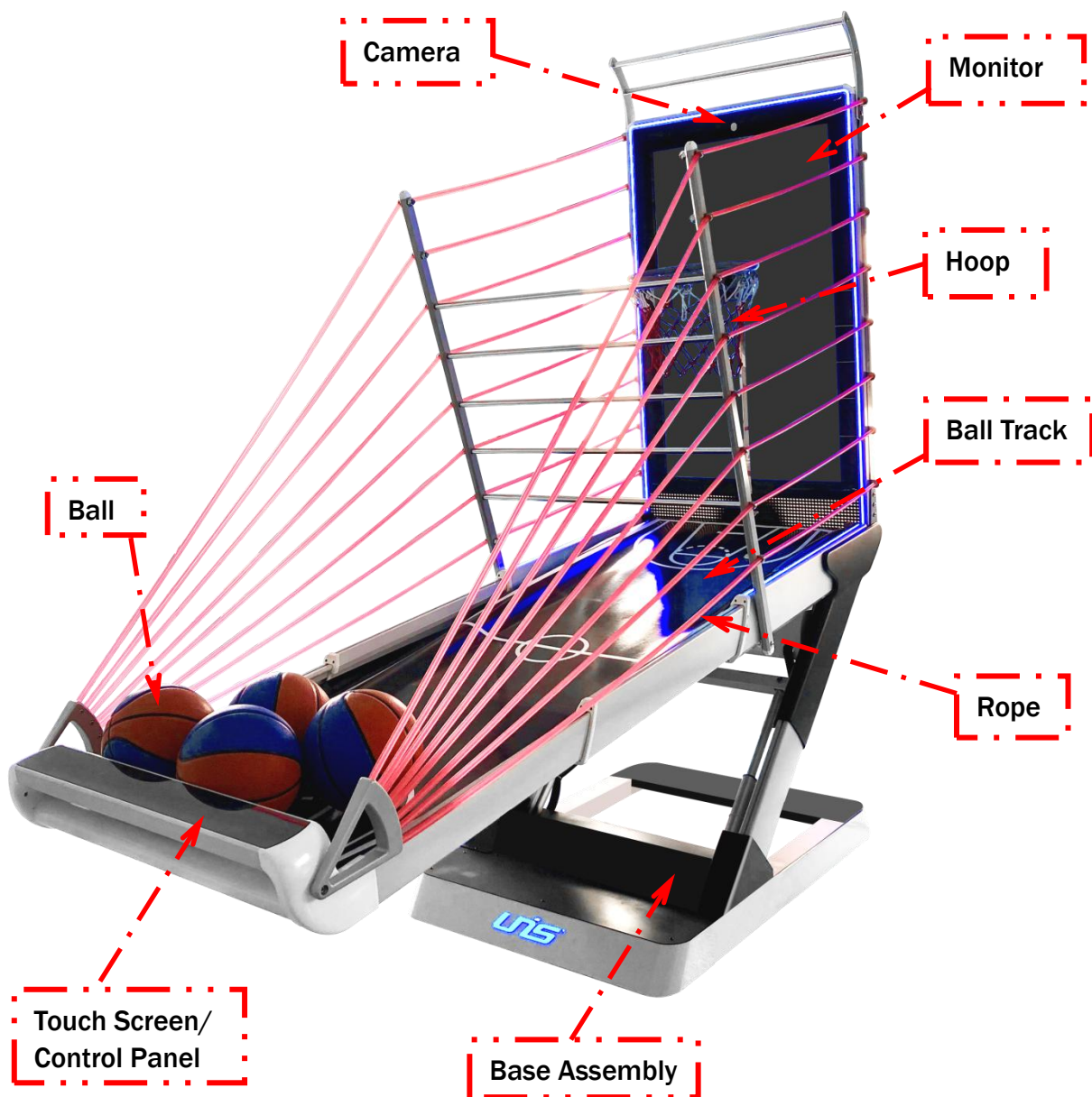
2.CONTENTS OF THE ACCESSORY KIT

Open the package and make sure all the items are included:

No.	Part No.	Code	Name	SPEC	Picture	Qty
1	B137-801-000	2.33.01.010020	Power cord	3×16AWG 1.8M		1
2	B137-422-000	2.19.01.000012	Fuse	Φ5×20mm T5A 250VAC		1
3	B137-443-000	4.10.000023	Basketball	/		5
4	B137-802-000	4.06.07.000012	L wrench(5mm)	5mm		1
5	B137-803-000	4.06.07.000001	L wrench(4mm)	4mm		1
6	B137-323-000	201.01.100015	Hexagon socket flat head screw	M8×30		10
7	B137-305-000	201.01.008007	Hexagon socket flat head screw	M8×20		14
8	B137-321-000	201.01.048029	Hexagon socket flat head screw	M6×12		4
9	B137-804-000	4.14.40000315	Manual	GMP		1
10	B137-805-000	2.26.06.090003	Remote control	11 key		1
11	B137-806-000	2.33.02.000014	Network cable	T568A-T568A 2M		1

3. PART NAME

Key Components



4. SET UP & INSTALLATION

! NOTICE

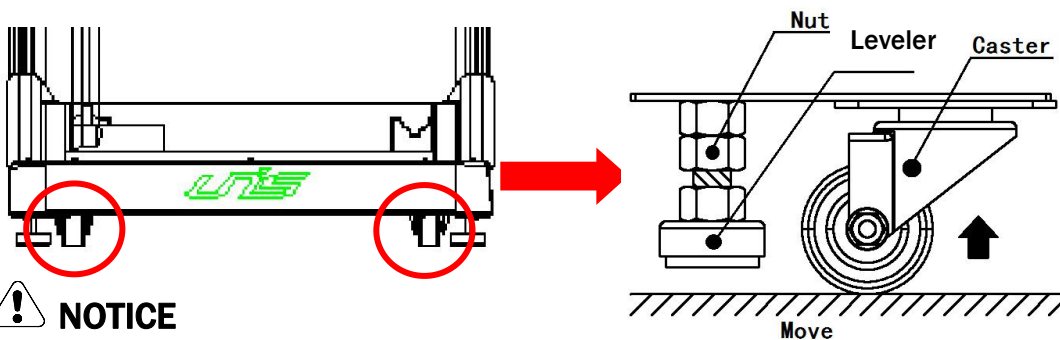
We do not recommend using power tools as they may cause damage.

! This product is an indoor game machine. Do not install outdoors.

- Refer to IMPORTANT SAFETY INSTRUCTIONS (Pg. 3) for places to avoid.
- Place the unit on a dry level surface.
- Ventilation openings in the back of the unit must not be obstructed by objects or by wall.

4.1 Transporting the Game

If you need to move the game, adjust the levelers back to an “up” position.



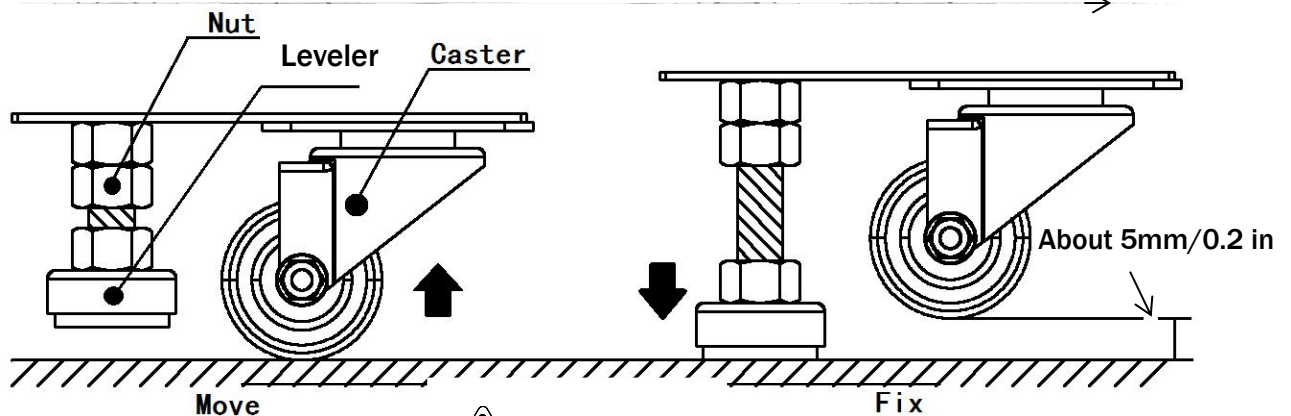
! NOTICE

- Be careful not to damage the machine during transport.
- Always unplug the game before moving.
- Keep the machine in upright position during transport.
- For longer distance transport, package the game properly to prevent damages.

4.2 Level Adjustment

Install this game on a flat surface. If the game is installed on an unsuitable floor, it could cause game malfunction.

To secure the game, loosen the nut, utilize wrench to adjust the leveler down until it touches the floor, lifting the casters off the ground by 0.2in/5mm. Repeat the same for all



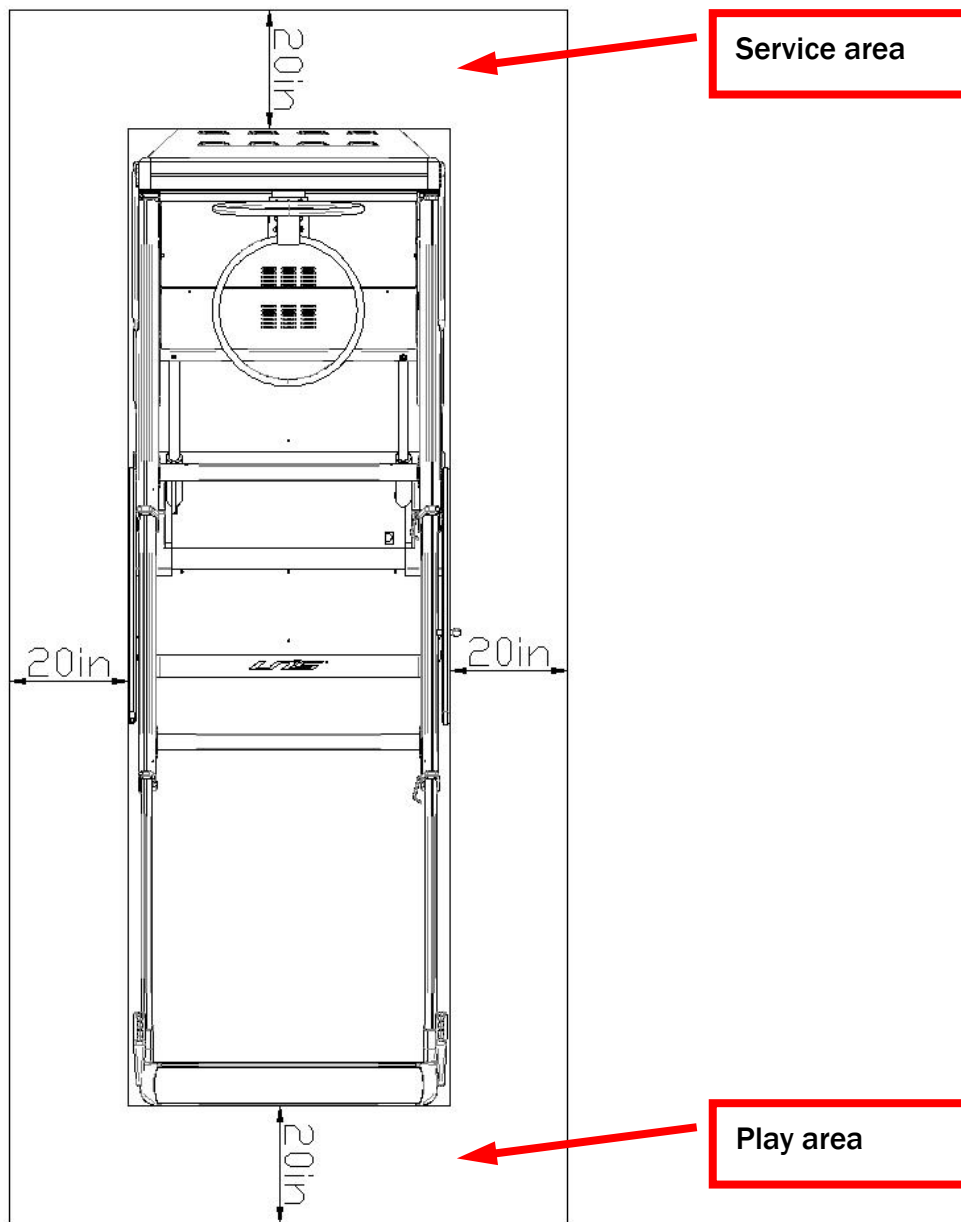
! NOTICE

Make sure the machine is level.

4.3 Play Zone



This machine requires space for playing and for maintenance as shown below.
Leave space around the game upon installation:

Service area: 20 in

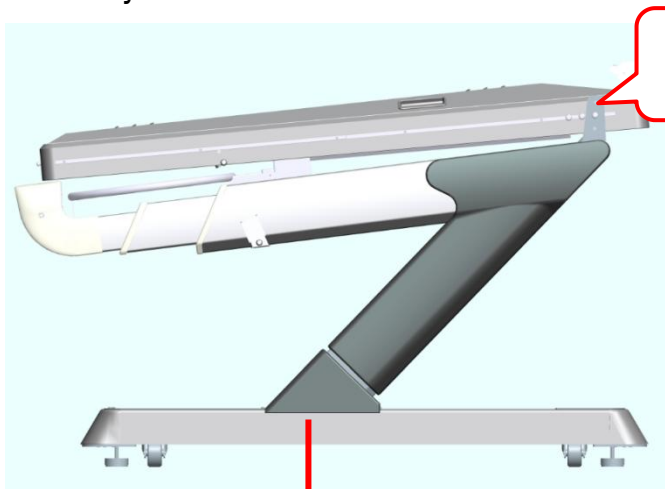


4.4 Machine Installation

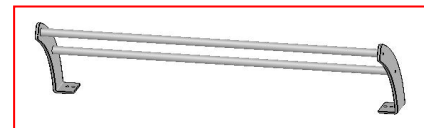
Before processing with assembly assure you have the following tools.

No.	Name	Picture
1	Phillips screwdriver	
2	Allen wrench	

Step 1 Utilize Allen wrench to tighten 4 screws to fix the Top baffle to the Monitor Assembly.



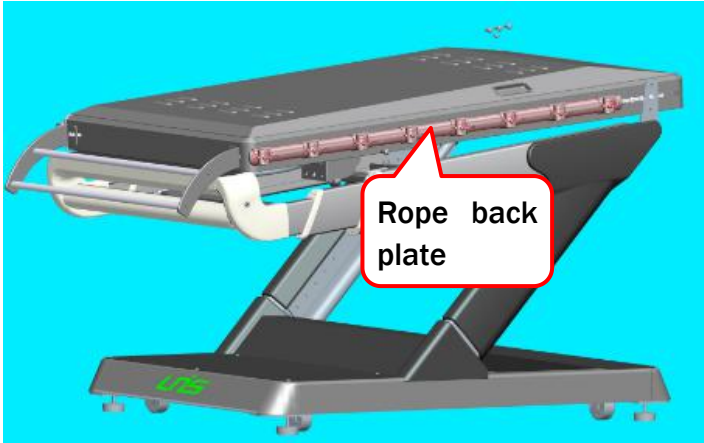
Name	Top baffle
Qty	1



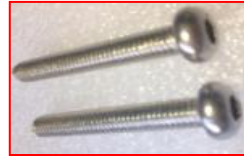
Name	Hexagon socket flat round head screw
Spec.	M6X12
Qty	4



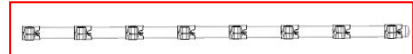
Step 2 Install 2 Rope back plate on the Monitor assembly. Utilize Allen wrench to tighten 16 screws to secure the Rope back plate.



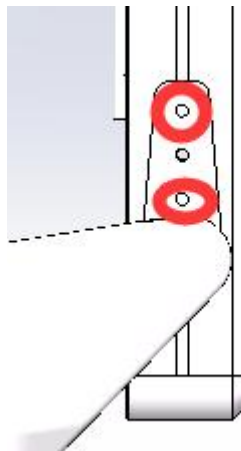
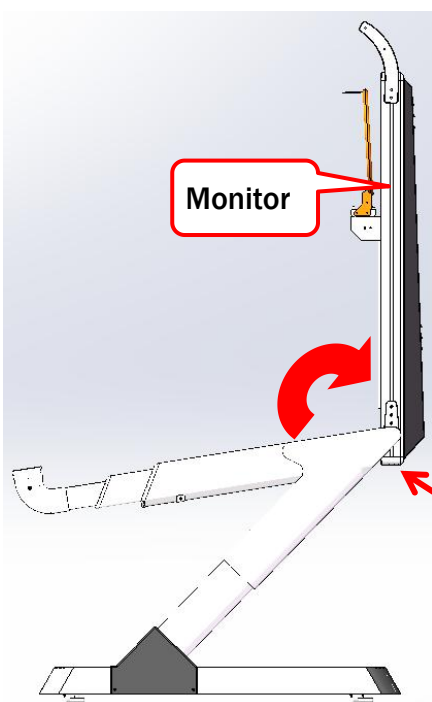
Name	Hexagon socket flat round head screw
Spec.	M8X30
Qty	10



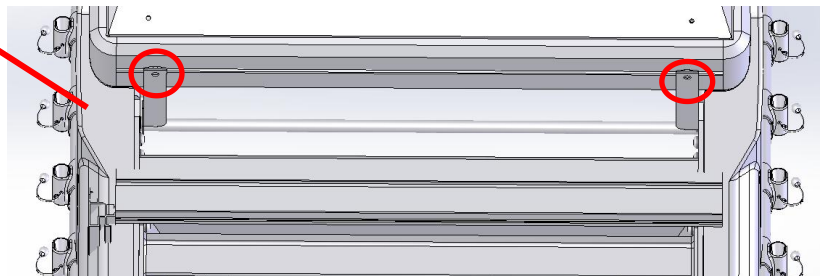
Name	Rope back plate
Qty	2



Step 3 Turn the Monitor vertical as shown below. Utilize Phillips screwdriver to tighten 2 screws to secure the monitor bottom side. Utilize Allen wrench to tighten 4 screws to secure the Monitor.

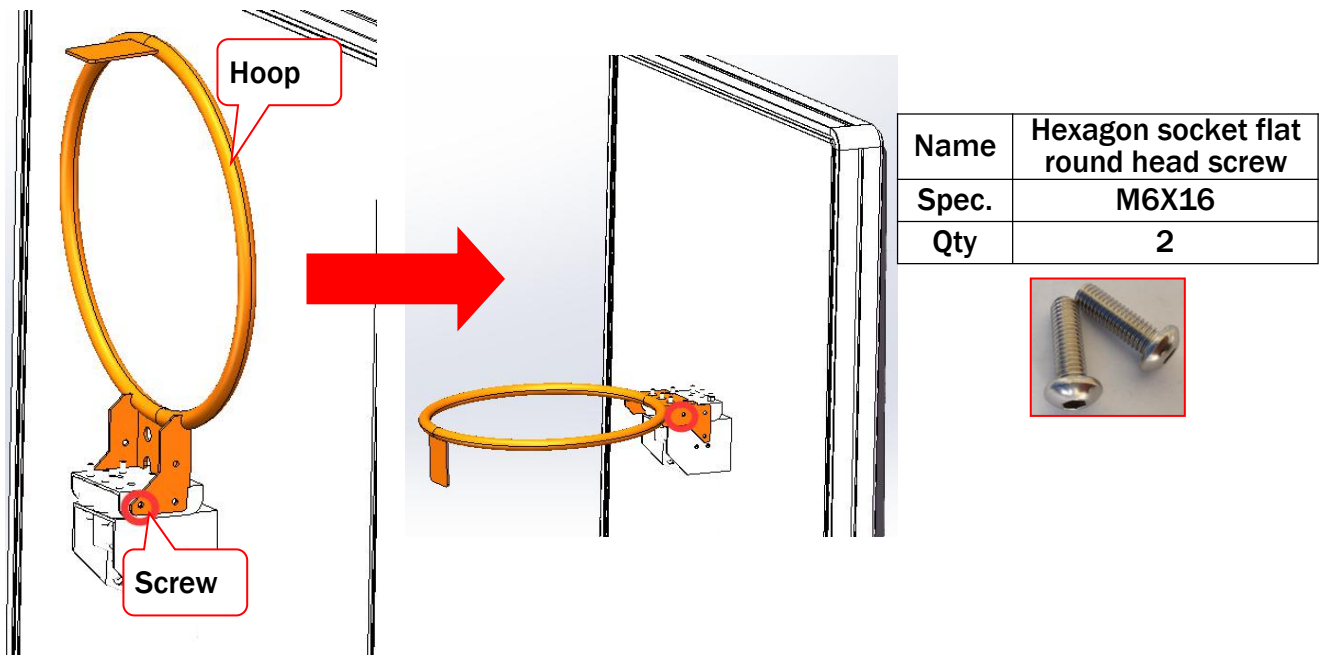


Name	Hexagon socket flat round head screw
Spec.	M8X12
Qty	4

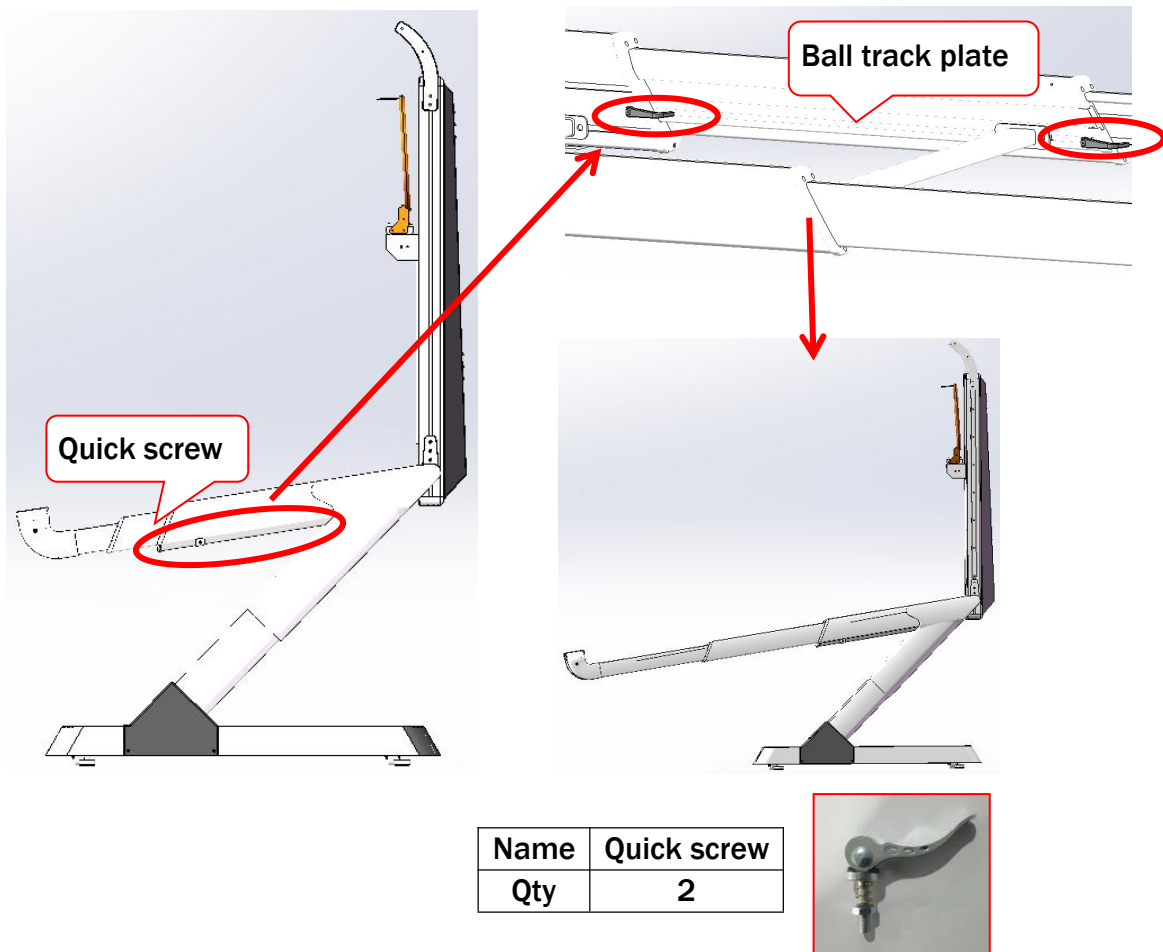


Name	Cross recessed pan head screw set
Spec.	M8X16
Qty	2

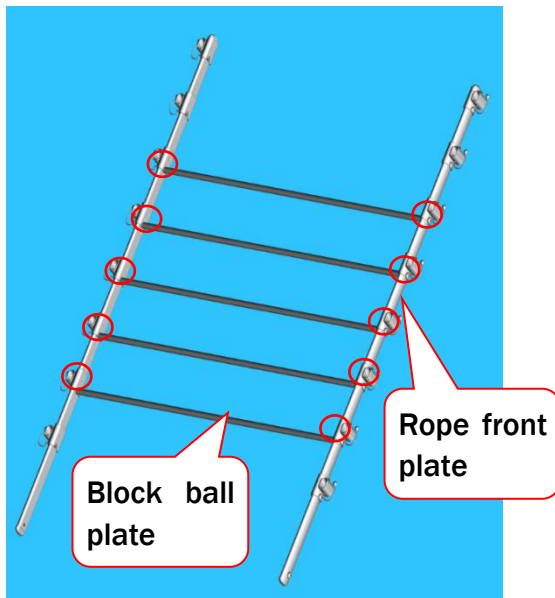
Step 4 Loosen the Hoop fixing plate screw to turn the Hoop down. Tighten the screw back.



Step 5 Loosen 2 quick screws to extend the Ball track plate. Tighten the screw back after extending the Ball track.



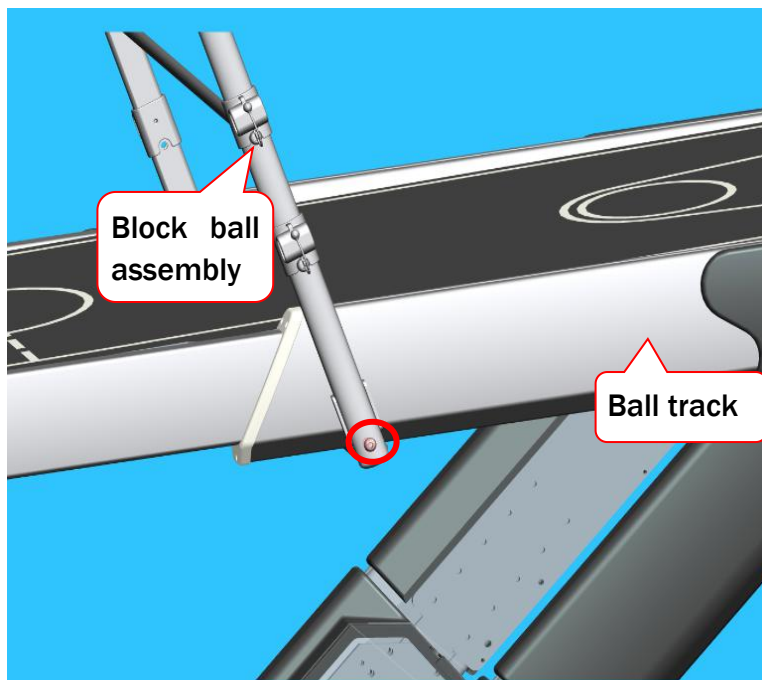
Step 6 Utilize Allen wrench to tighten 10 screws to fix the Block ball plate to the Rope front plate.



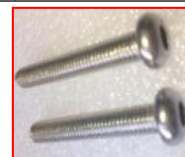
Name	Hexagon socket flat round head screw
Spec.	M8X20
Qty	10



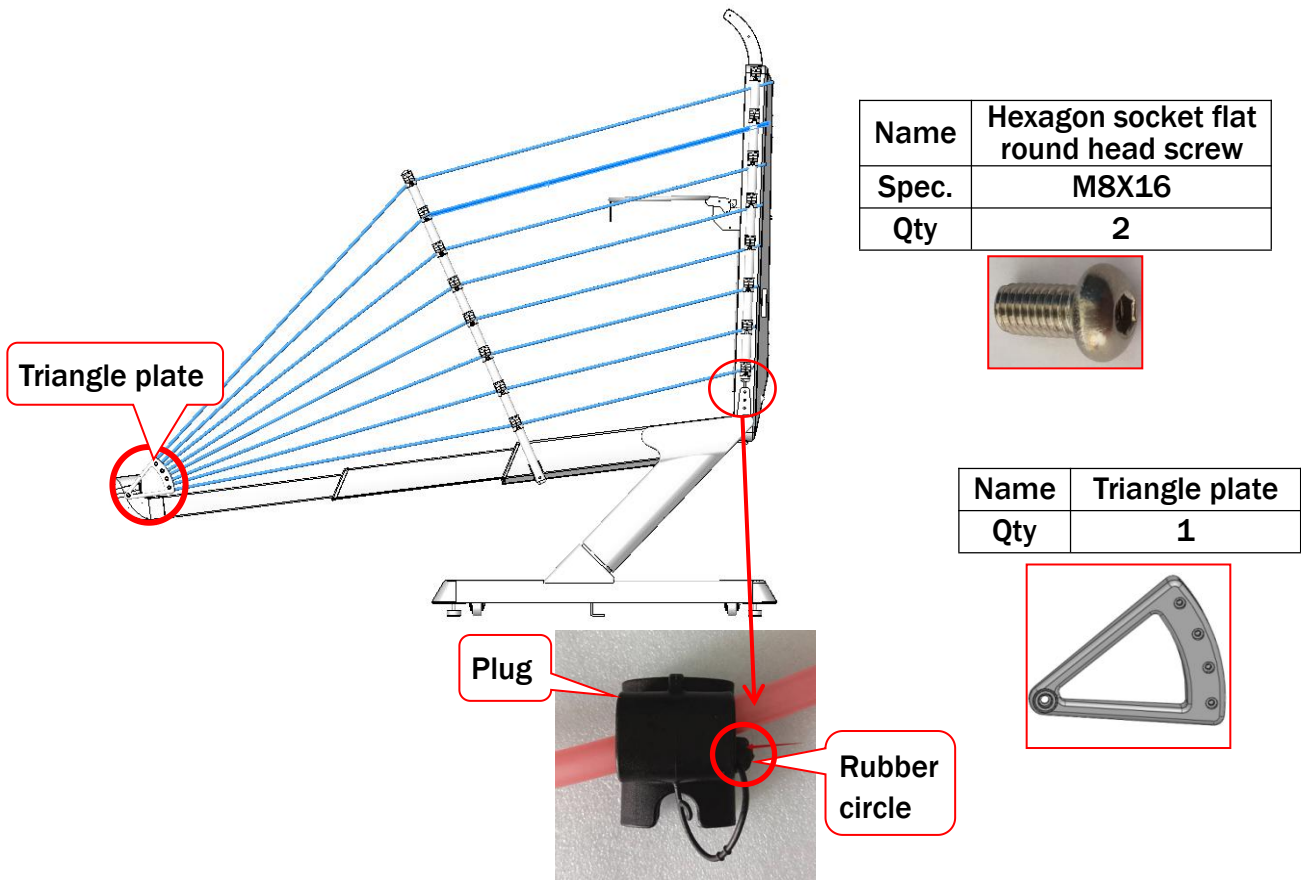
Step 7 Utilize Allen wrench to tighten 2 screws to fix the Block ball assembly to the Ball track.



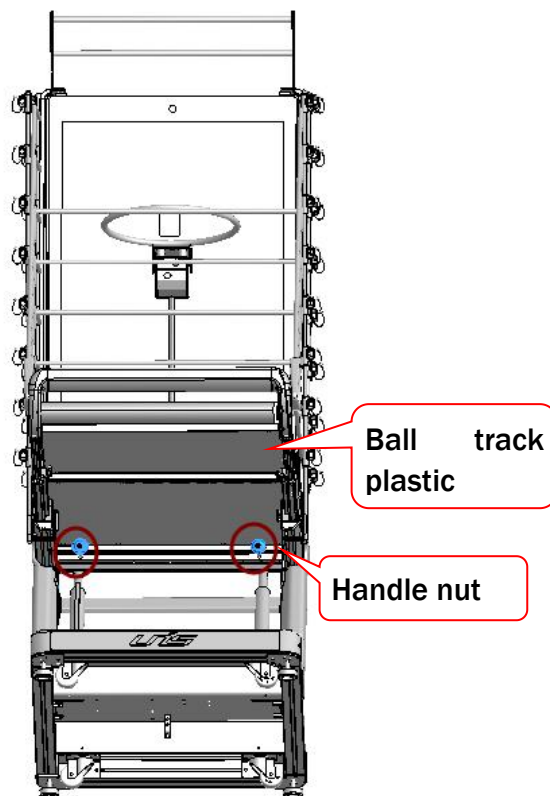
Name	Hexagon socket flat round head screw
Spec.	M8X30
Qty	2



Step 8 Utilize Allen wrench to tighten 2 screws to fix the Triangle plate to the Control panel. Stick Rope to the Net fixing plate plug. Utilize Rubber circle to secure the Net fixing plug.



Step 9 Locate the Ball track bottom side. Utilize Handle nut to adjust Ball track plastic.



Step 10 Power on the machine. Utilize Control panel to enter Game settings to adjust machine height.



Finish!

5. HOW TO PLAY

1. Touch button to start, choose Fitness Mode or Game mode.

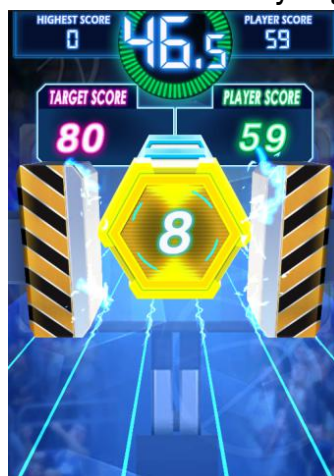


2. Game mode have 4 round. Each round need shoot balls in limited time to reach the target score to pass the stage.

2.1 Round 1: Shoot balls in limited time to reach the target score to pass the stage.



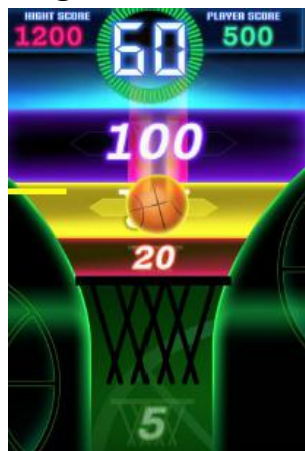
2.2 Round 2: Shoot balls to reach the target score to pass the stage. (The field goal percentage and speed will influence the score you get every time.)



2.3 Round 3: Shoot balls and the horizontal line will grow high. If the horizontal line reaches the top line, pass the stage.



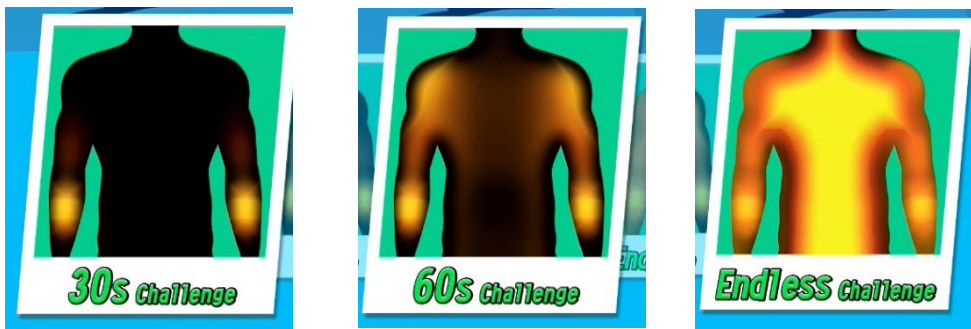
2.4 Round 4: There is a scoring area with different points. When you field the goal, you get the point in the scoring area where the basketball in the monitor is on.



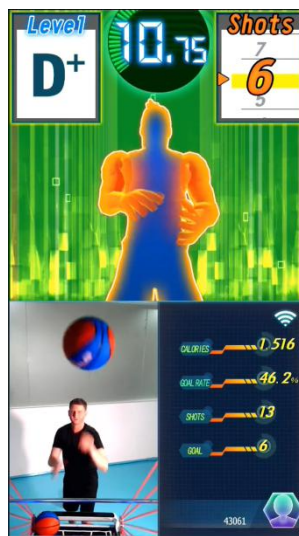
2.5 Ranking List shows the player's ranking, challenge stage and score.



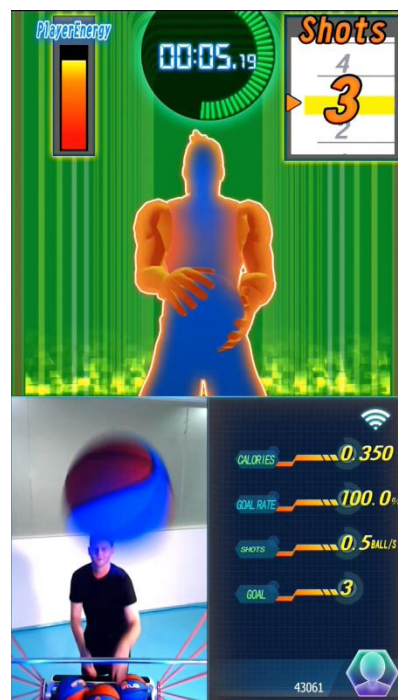
3. Fitness Mode have 3 different challenge:30s Challenge,60s Challenge and Endless Challenge.



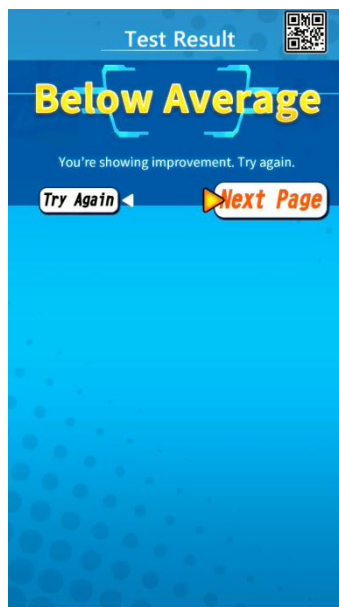
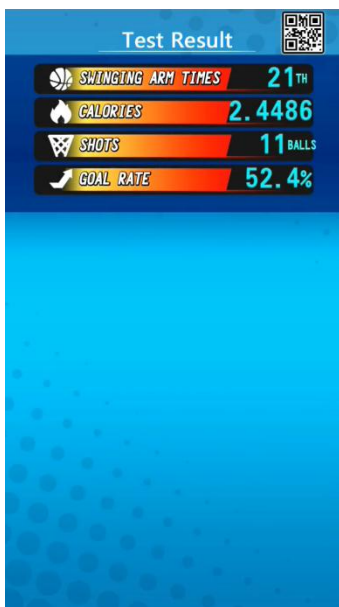
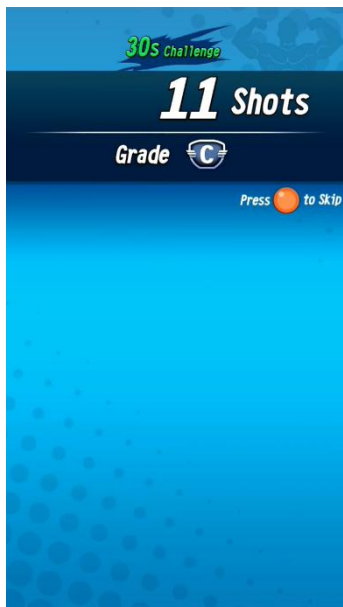
3.1 In 30s Challenge and 60s Challenge, the number of shots is increasing, the skill level of evaluation will also be upgraded.



3.2 In the endless challenge, Player can shot ball without any time limit. Press OK to end the game.




3.3 The game records the shots, real-time movement status, etc, and finally summarizes the player's physical test data.



6. GAME OPTION

Utilize Control panel to enter Game settings

Options	Status	Description
Language	中文/English	Adjust language
Volume		Adjust Volume
Demo Music	ON/OFF	Demo Music open or off
Machine Height		Adjust Machine height
Back	Press  button to confirm	



7. TROUBLESHOOTING


7.1 Common Problem

Please confirm that all connectors fit tightly.

Symptom	Possible Cause	Recommended action
Game will not start	Frame assembly connector is loose.	Check connector.
	Frame assembly fault	Contact with UNIS Service.
Power off	Circuit protector make power SW in off state.	Turn on power SW again. If appeared again and again, machine has anomaly. Please contact with UNIS Service.
No sound	Low volume	Raise the volume.
	Connector loose.	Check connector.
	Speaker fault.	Check speaker.
	Audio cable problem.	Reconnect the audio cable or change it.
	PC crash.	Restart or system recovery.
	Driver problem	Restart the audio driver.
Display black screen	Check connectors.	Plug in connector tightly
	Display fault.	Utilize another source such as a PC to verify if the display is operational.
	RAM is loose.	Remove and reinsert RAM.
Display blue screen	PC power cord is loose	Check PC power cord whether is loose.
	VGA signal cable is loose.	Check VGA cable
	PC video card is loose.	Reseat video card.

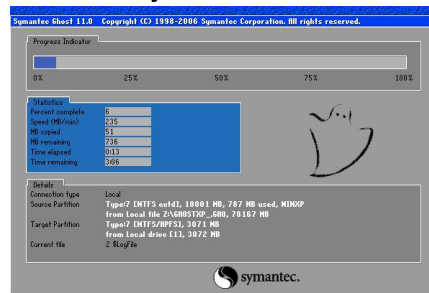
Note: After replacing component from PC (except for RAM), and replacing monitor, the game should be recovered again with the recovery stick attached to the machine.

If you see following error signs showing on the display, please try the recommended action.

Display	Possible Cause	Recommended action
	The connection part of the IO board and PC are loose.	Check and reconnect the loose ports of the PC or IO board.
	Cable quality problem	Change the cable after checking the connection between IO board and PC.
	Cable became loose during transportation.	Check and reconnect the loose cables of the PC or IO board.
	IO board is faulty.	Reboot the game after checking connection and cable problem, if the problem remains unresolved, please call the service department for assistance.

7.2 System Recovery Operation **(NOTE: Do not disconnect power during this process.)**

1. Turn off the game. Remove the recovery stick from the machine. (Note: This process may take up to 60 minutes) Insert the recovery stick into the port at the back of the computer.
2. Restart PC to enter the system recovery screen as shown.



3. The game will automatically start recovery.
4. Once system recovery is partially finished (as shown below), and the ICON appears, remove the recovery stick from the computer. The game will continue the install process.

OK to remove the recovery stick.



5. Assure that the recovery stick has been properly secured for future use.



WARNING: The recovery stick should only be used to fix software errors. Using it for other purposes may cause unexpected results and damages.

8. MAINTENANCE & INSPECTION

8.1 Safety Check

Check the points listed before operating the machine. These checks are necessary for safe machine operation:

1. Test game before operation each day.
2. Conduct monthly routine checks of game components to ensure good working condition.
3. Check the machine regularly for dust and clean when necessary.

Note: Parts and components require preventative maintenance to maintain proper operation.

8.2 Handling Precautions

When installing or inspecting the machine, be very careful and pay attention to ensure that the player can enjoy the game safely.

Inappropriate handling running counter to the cautionary matters can cause personal injury or damage to the machine.

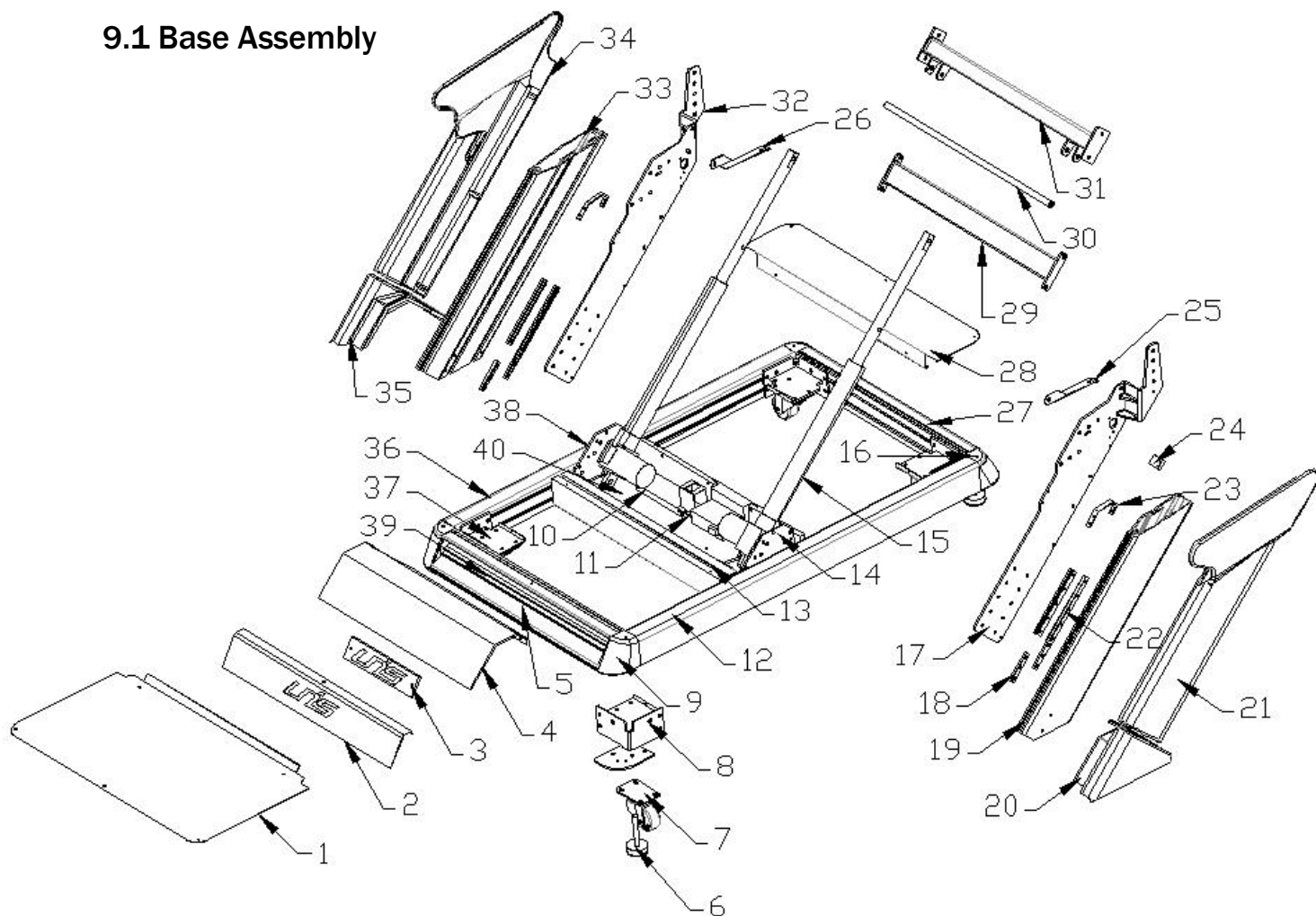


NOTICE

We do not recommend using power tools as they may cause damage.

9. OVERALL CONSTRUCTION

9.1 Base Assembly

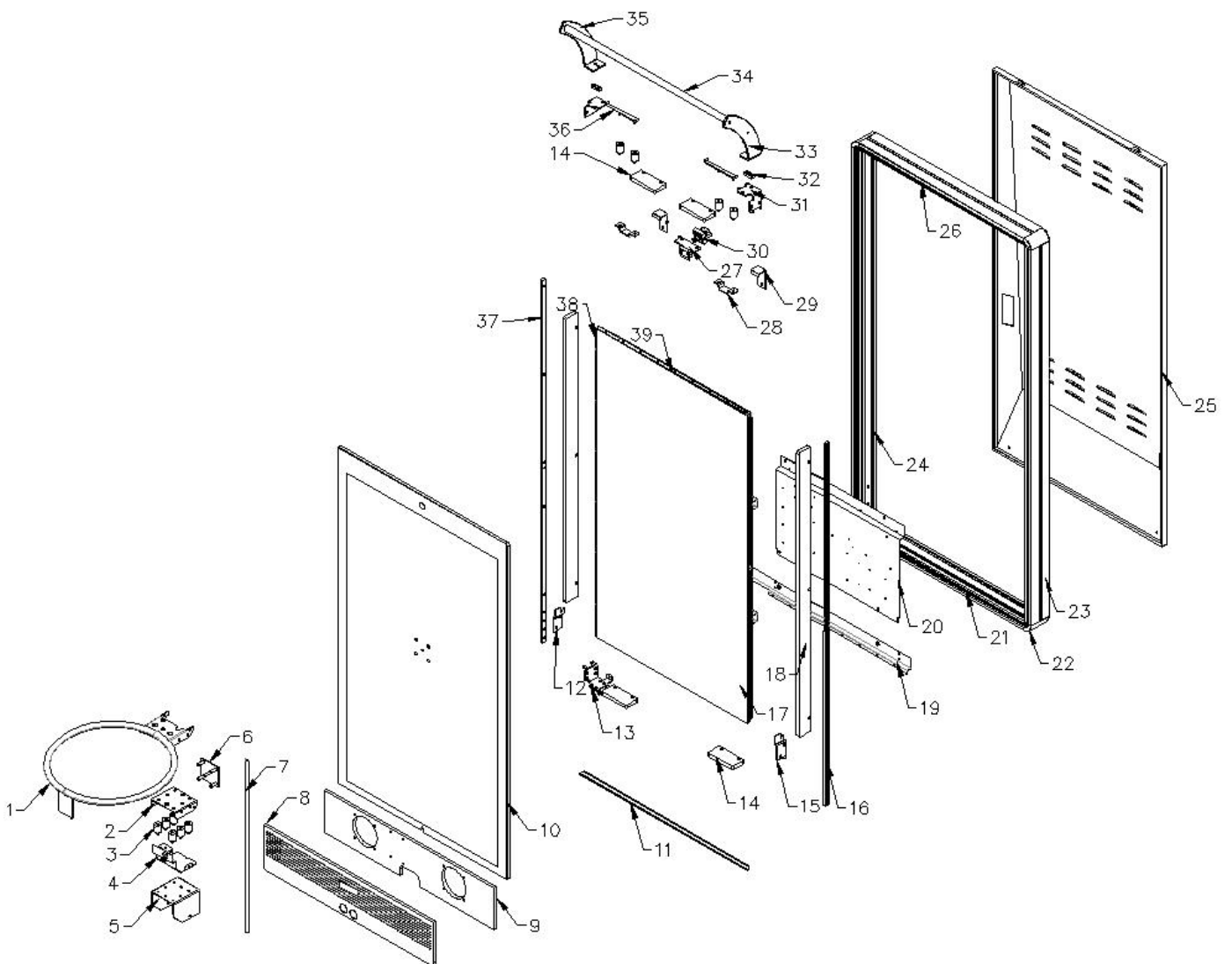


No.	Part No.	Code No.	Name	Qty
1	B137-120-000	202.1.2003.015	Front cover plate	1
2	B137-119-001	202.1.2003.014A	LOGO plate	1
3	B137-190-000	206.1.2003.002	LOGO light plate	1
4	B137-121-000	202.1.2003.016	Middle cover plate	1
5	B137-163-000	202.1.2003.058	Base metal plate	1
6	B137-432-000	2.51.00.010001	leveller	4
7	B137-442-000	2.55.01.000047	2.5" caster	4
8	B137-116-000	202.1.2003.011	R base connect plate	2
9	B137-194-000	206.1.2003.006	R cover	2
10	B137-150-001	202.1.2003.045A	Power supply connect plate	2

No.	Part No.	Code No.	Name	Qty
11	B137-151-001	202.1.2003.046A	Rocket switch plate	1
12	B137-164-001	202.1.2003.059A	R base plate	1
13	B137-166-001	202.1.2003.061A	Middle base plate	1
14	B137-118-000	202.1.2003.013	R pin connect plate	1
15	B137-437-000	2.51.05.040012	Push rod	2
16	B137-193-000	206.1.2003.005	L cover	2
17	B137-125-000	202.1.2003.020	R rod connect plate	1
18	B137-168-000	202.1.2003.063	T type plate	4
19	B137-169-000	202.1.2003.064	R pin plate	1
20	B137-211-000	206.1.2003.023	R pin cover	1
21	B137-214-000	206.1.2003.026	R protect plate	1
22	B137-171-000	202.1.2003.066	T rail plate	4
23	B137-152-001	202.1.2003.047A	Chain upper plate	2
24	B137-153-001	202.1.2003.048A	Chain bottom plate	2
25	B137-184-001	202.1.2003.079A	R pin plate	1
26	B137-183-001	202.1.2003.078A	L pin plate	1
27	B137-165-001	202.1.2003.060A	Back base plate	1
28	B137-122-000	202.1.2003.017	Back cover plate	1
29	B137-124-001	202.1.2003.019A	Horizontal connect plate	1
30	B137-138-000	202.1.2003.033	Ball track plate	1
31	B137-123-000	202.1.2003.018	Connect plate	1
32	B137-126-000	202.1.2003.021	L rod connect plate	1
33	B137-170-000	202.1.2003.065	L pin plate	1
34	B137-213-000	206.1.2003.025	L protect plate	1
35	B137-212-000	206.1.2003.024	L pin cover	1

No.	Part No.	Code No.	Name	Qty
36	B137-167-001	202.1.2003.062A	L base plate	1
37	B137-115-000	202.1.2003.010	L base connect plate	2
38	B137-117-000	202.1.2003.012	L pin connect plate	1
39	B137-187-000	203.1.2003.003	Light strip support plate	1
40	B137-189-000	203.1.2003.005	Middle support plate	1

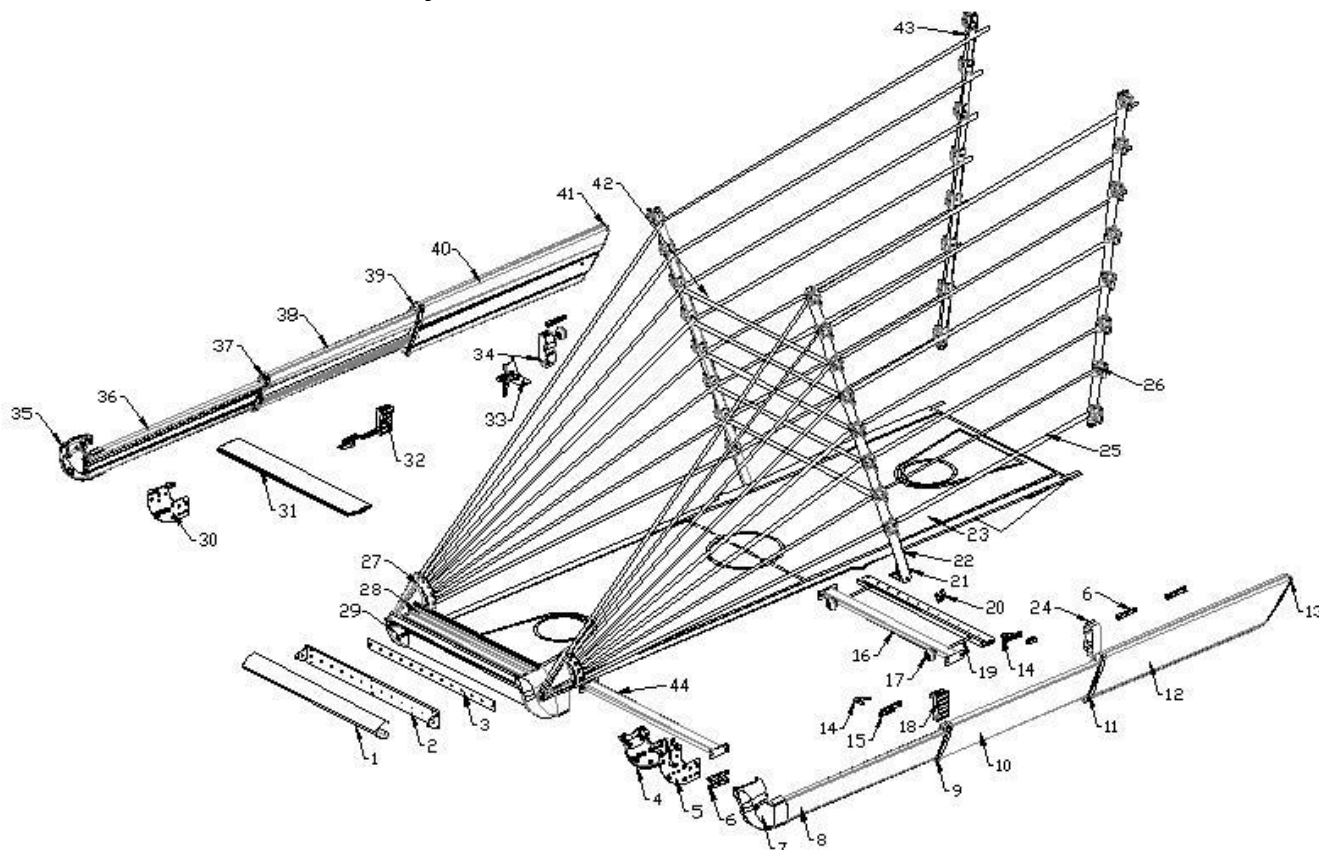
9.2 Hoop&Monitor Assembly



No.	Part No.	Code No.	Name	Qty
1	B137-110-000	202.1.2003.005	Hoop	1
2	B137-109-000	202.1.2003.004	Hoop plate	1
3	B137-105-000	2.60.00071001	Shakeproof screw	10
4	B137-111-001	202.1.2003.006A	Sensor plate	1
5	B137-108-000	202.1.2003.003	Hoop bracket	1
6	B137-107-000	202.1.2003.002	Hoop fixing plate	1
7	B137-182-000	202.1.2003.077	Sensor cable tube	1
8	B137-106-000	202.1.2003.001	Speaker plate	1
9	B137-188-000	203.1.2003.004	Speaker support plate	1
10	B137-712-000	205.1.2003.001	Monitor decal	1
11	B137-154-000	202.1.2003.049	T molding	1
12	B137-143-001	202.1.2003.038A	Monitor L bottom plate	1
13	B137-140-001	202.1.2003.035A	L frame plate	1
	B137-141-001	202.1.2003.036A	R frame plate	1
14	B137-186-000	203.1.2003.002	Short pressing plate	2
15	B137-142-001	202.1.2003.037A	Monitor R bottom plate	1
16	B137-160-000	202.1.2003.055	Frame t type plate	2
17	B137-402-001	1.9.2011	49" monitor	1
18	B137-185-000	203.1.2003.001	Long pressing plate	2
19	B137-148-001	202.1.2003.043A	Monitor support plate	1
20	B137-149-001	202.1.2003.044A	PC plate	1
21	B137-158-000	202.1.2003.053	Monitor frame bottom plate	1
22	B137-192-000	206.1.2003.004	Circle protective plate	4
23	B137-155-000	202.1.2003.050	Monitor frame L plate	1
24	B137-156-000	202.1.2003.051	Monitor frame R plate	1
25	B137-114-001	202.1.2003.009A	Monitor back cover plate	1

No.	Part No.	Code No.	Name	Qty
26	B137-157-000	202.1.2003.052	Monitor frame top plate	1
27	B137-147-001	202.1.2003.042A	Camera plate	1
28	B137-144-001	202.1.2003.039A	Shakeproof screw plate	2
29	B137-145-001	202.1.2003.040A	Buckle	2
30	B137-405-000	2.11.07.040029	Camera	1
31	B137-139-001	202.1.2003.034A	Top frame plate	2
32	B137-161-000	202.1.2003.056	M6 T type plate	2
33	B137-112-000	202.1.2003.007	Top baffle R plate	1
34	B137-159-000	202.1.2003.054	Top baffle plate	2
35	B137-113-000	202.1.2003.008	Top baffle L plate	1
36	B137-146-001	202.1.2003.041A	Shakeproof screw connect plate	2
37	B137-162-000	202.1.2003.057	Monitor frame plate(Long)	2
38	B137-215-000	206.1.2003.027	Foam(Long)	2
39	B137-216-001	206.1.2003.028A	Foam(Short)	2

9.3 Ball Track Assembly

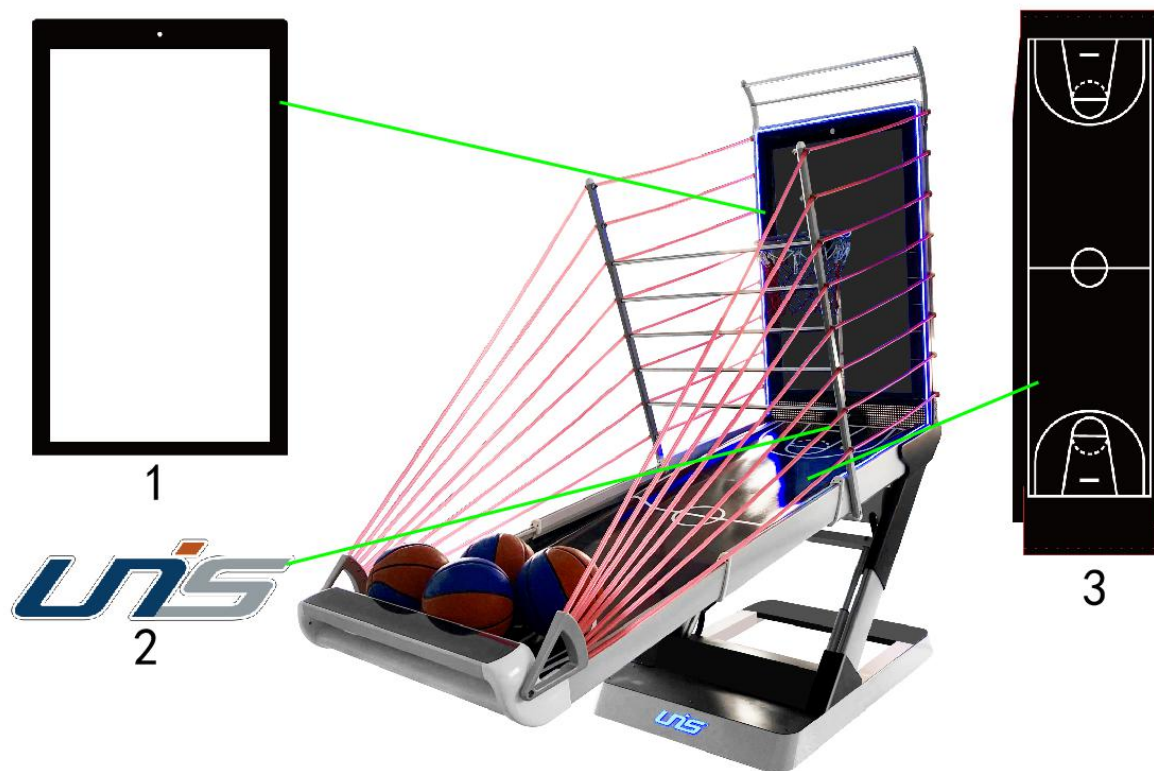


No.	Part No.	Code No.	Name	Qty
1	B137-134-001	202.1.2003.029A	Ball track front cover plate	1
2	B137-132-001	202.1.2003.027A	Ball track front plate	1
3	B137-133-001	202.1.2003.028A	Ball track pressing plate	2
4	B137-196-000	206.1.2003.008	Control panel R inner plate	1
5	B137-130-000	202.1.2003.025	Control panel R connect plate	1
6	B137-168-000	202.1.2003.063	T type plate	12
7	B137-195-000	206.1.2003.007	Control panel R outer plate	1
8	B137-172-000	202.1.2003.067	R track plate(S)	1
9	B137-201-000	206.1.2003.013	R track cover(M)	1
10	B137-174-001	202.1.2003.069A	R track plate(M)	1
11	B137-205-000	206.1.2003.017	R track cover(L)	1
12	B137-176-000	202.1.2003.071	R front track plate(L)	1

No.	Part No.	Code No.	Name	Qty
13	B137-207-000	206.1.2003.019	R track protective plate(L)	1
14	B137-434-000	201.01.009004	Handle screw(adjust)	2
15	B137-161-000	202.1.2003.056	M6 T type plate	10
16	B137-136-000	202.1.2003.031	Ball track connect plate(L)	1
17	B137-433-000	201.01.009003	Handle screw	2
18	B137-199-000	206.1.2003.011	R track protective plate(S)	1
19	B137-137-000	202.1.2003.032	Ball track back plate	1
20	B137-210-000	206.1.2003.022	Rope sleeve	8
21	B137-129-000	202.1.2003.024	R rope connect plate	1
22	B137-179-001	202.1.2003.074A	Rope front plate	2
23	B137-713-000	205.1.2003.002	Ball track plastic	1
24	B137-203-000	206.1.2003.015	R track protective plate(M)	1
25	B137-440-000	2.51.08.030002	Rope	40
26	B137-191-000	206.1.2003.003	Plug&Rubber circle	32
27	B137-209-000	206.1.2003.021	Triangle plate	2
28	B137-178-000	202.1.2003.073	Control panel plate	1
29	B137-197-000	206.1.2003.009	Control panel L inner plate	1
30	B137-131-000	202.1.2003.026	Control panel L connect plate	1
31	B137-404-000	297.9.1911001	Touch button	1
32	B137-200-000	206.1.2003.012	L track protective plate(S)	1
33	B137-128-000	202.1.2003.023	L rope connect plate	1
34	B137-204-000	206.1.2003.016	L track protective plate(M)	1
35	B137-198-000	206.1.2003.010	Control panel L outer plate	1
36	B137-173-000	202.1.2003.068	L track plate(S)	1
37	B137-202-000	206.1.2003.014	L track cover(M)	1

No.	Part No.	Code No.	Name	Qty
38	B137-175-001	202.1.2003.070A	L track plate(M)	1
39	B137-206-000	206.1.2003.018	L track cover(L)	1
40	B137-177-000	202.1.2003.072	L front track plate(L)	1
41	B137-208-000	206.1.2003.020	L track protective plate(L)	1
42	B137-181-000	202.1.2003.076	Block ball plate	5
43	B137-180-000	202.1.2003.075	Rope back plate	2
44	B137-135-000	202.1.2003.030	Ball track connect plate(M)	1

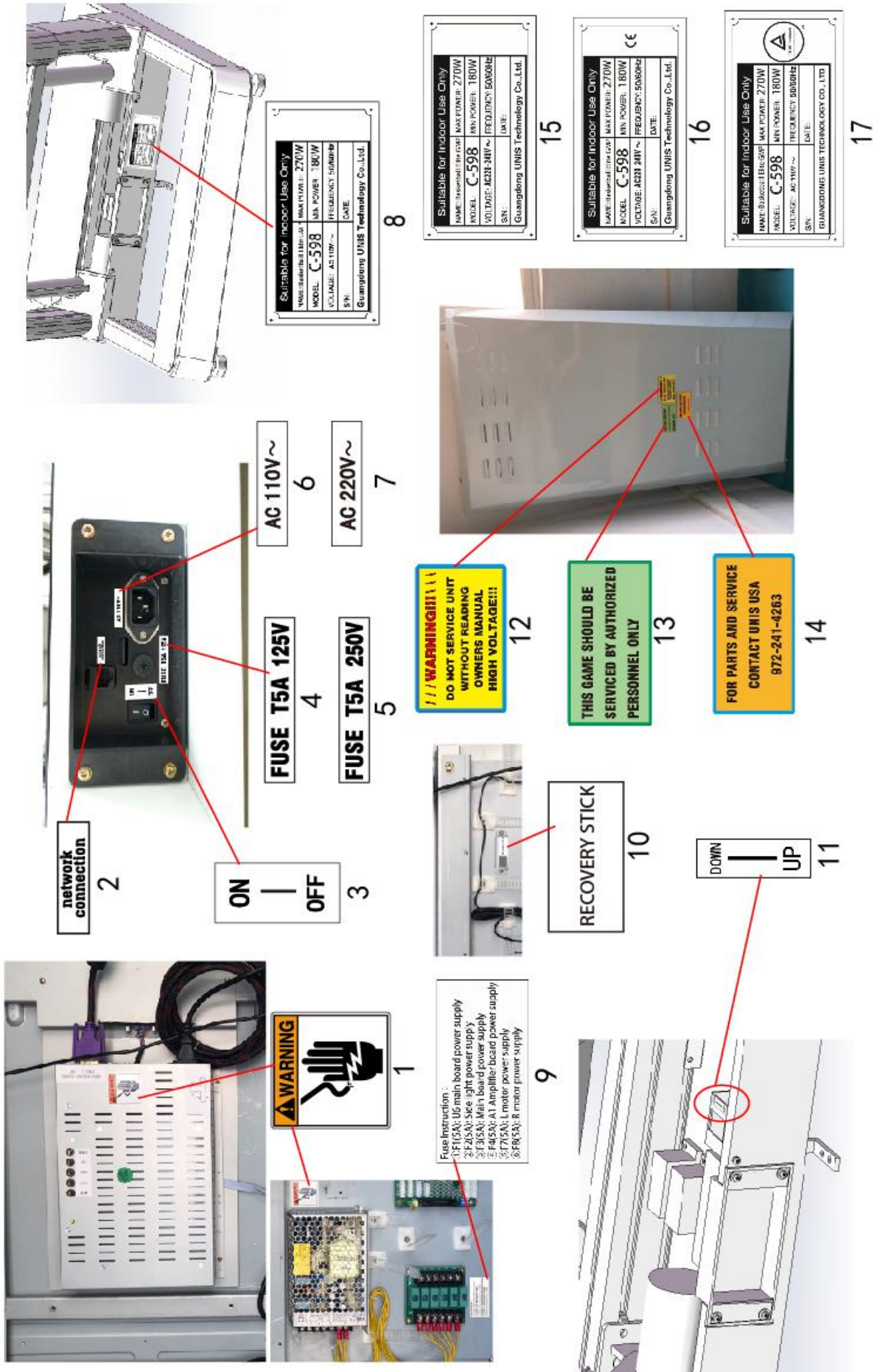
9.4 Decal



J01	J02	J03	J04	J05	J06	J07	J08	J09
J10	J11	J12	J13	J14	J15	J16	J17	J18
UG-MB, PCB J1	UG-MB, PCB J3	UG-MB, PCB J7	UG-MB, PCB J8	UG-MB, PCB J14	UG-MB, PCB J15	UG-MB, PCB J16	A1, PCB J1	A1, PCB J4
A1, PCB J5	Fuse F1 (5A)	Fuse F2 (5A)	Fuse F3 (5A)	Fuse F4 (5A)	Fuse F7 (5A)	Fuse F8 (5A)	U8M32, PCB UART	J19

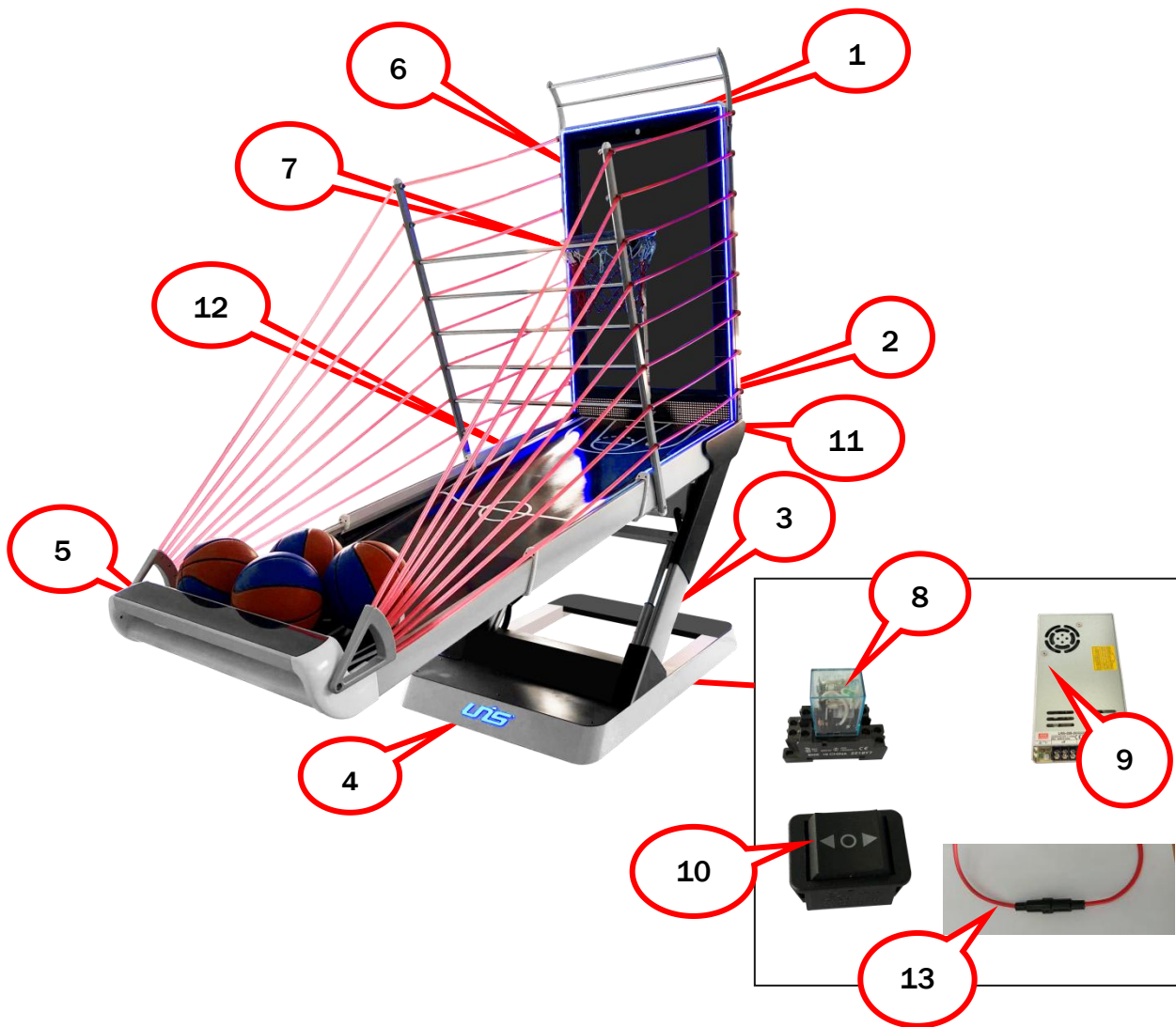
4

No.	Part No.	Code No.	Name	Qty
1	B137-712-000	205.1.2003.001	Monitor decal	1
2	B137-713-000	205.1.2003.002	Ball track plastic	1
3	B137-714-000	205.1.2003.003	LOGO decal	1
4	B137-719-000	205.1.2003.008	Wiring decal	1set

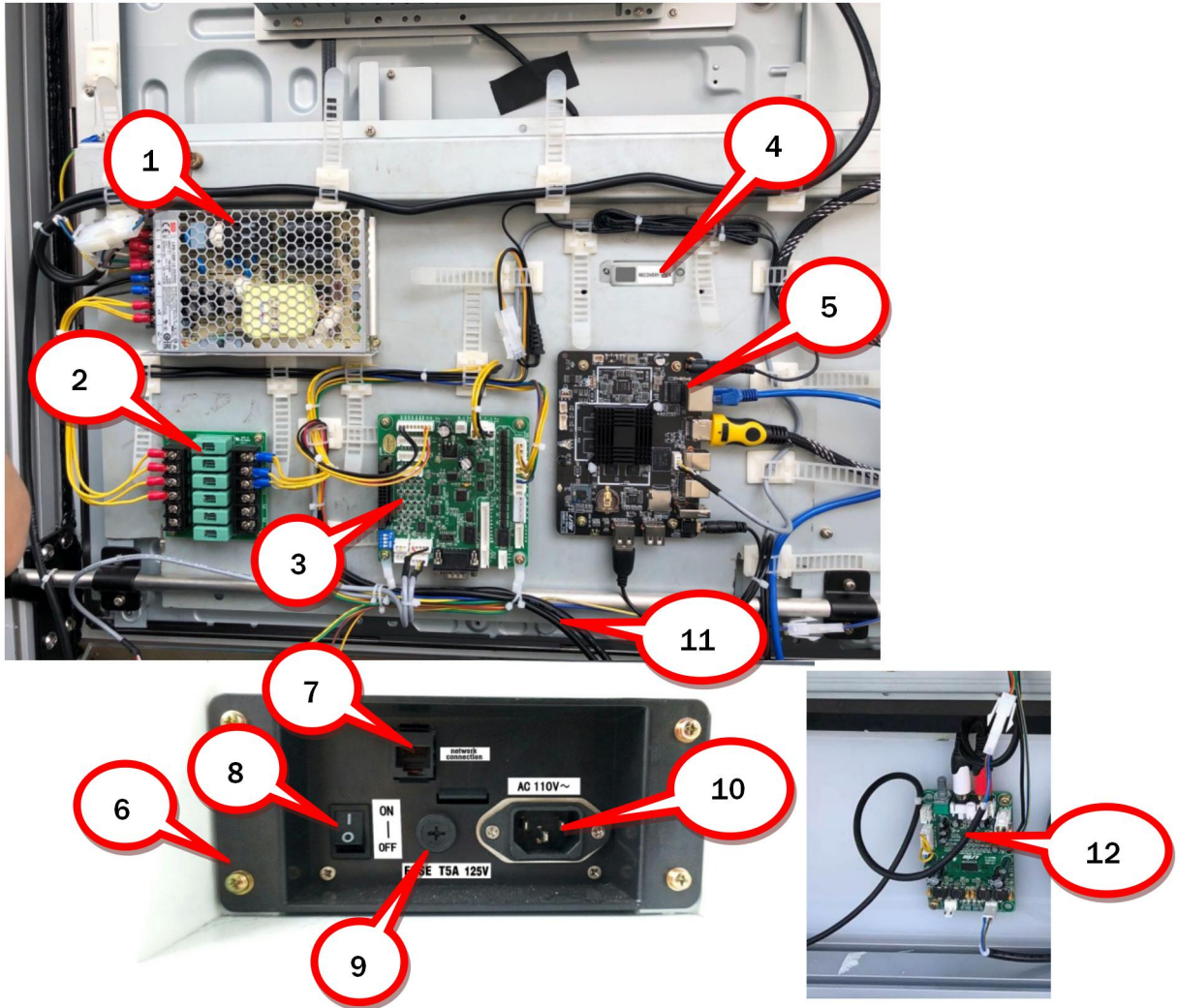


No.	Part No.	Code No.	Name	Qty
1	B137-702-000	2.56.00.000036	High voltage label(s)	2
2	B137-710-000	2.56.00.000097	Network label	1
3	B137-701-000	2.56.00.000016	Power supply label	1
4	B137-708-000	2.56.00.000080	Fuse label(T5A/125V)	1
5	B137-707-000	2.56.00.000074	Fuse label(T5A/250V)	1
6	B137-705-000	2.56.00.000071	110V decal	1
7	B137-706-000	2.56.00.000072	220V decal	1
8	B137-717-000	205.1.2003.006	110V nameplate	1
9	B137-720-000	205.1.2003.009	Fuse instruction decal	1
10	B137-711-000	2.56.00.000116	Recovery stick decal	1
11	B137-721-000	205.1.2003.010	Rocket switch decal	1
12	B137-704-000	2.56.00.000067A	Service label(yellow)	1
13	B137-703-000	2.56.00.000042A	Service label(green)	1
14	B137-709-000	2.56.00.000095A	Service label(orange)	1
15	B137-715-000	205.1.2003.004	220V nameplate	1
16	B137-716-000	205.1.2003.005	220V nameplate(CE)	1
17	B137-718-000	205.1.2003.007	110V nameplate(TUV)	1

9.5 Electrical Component

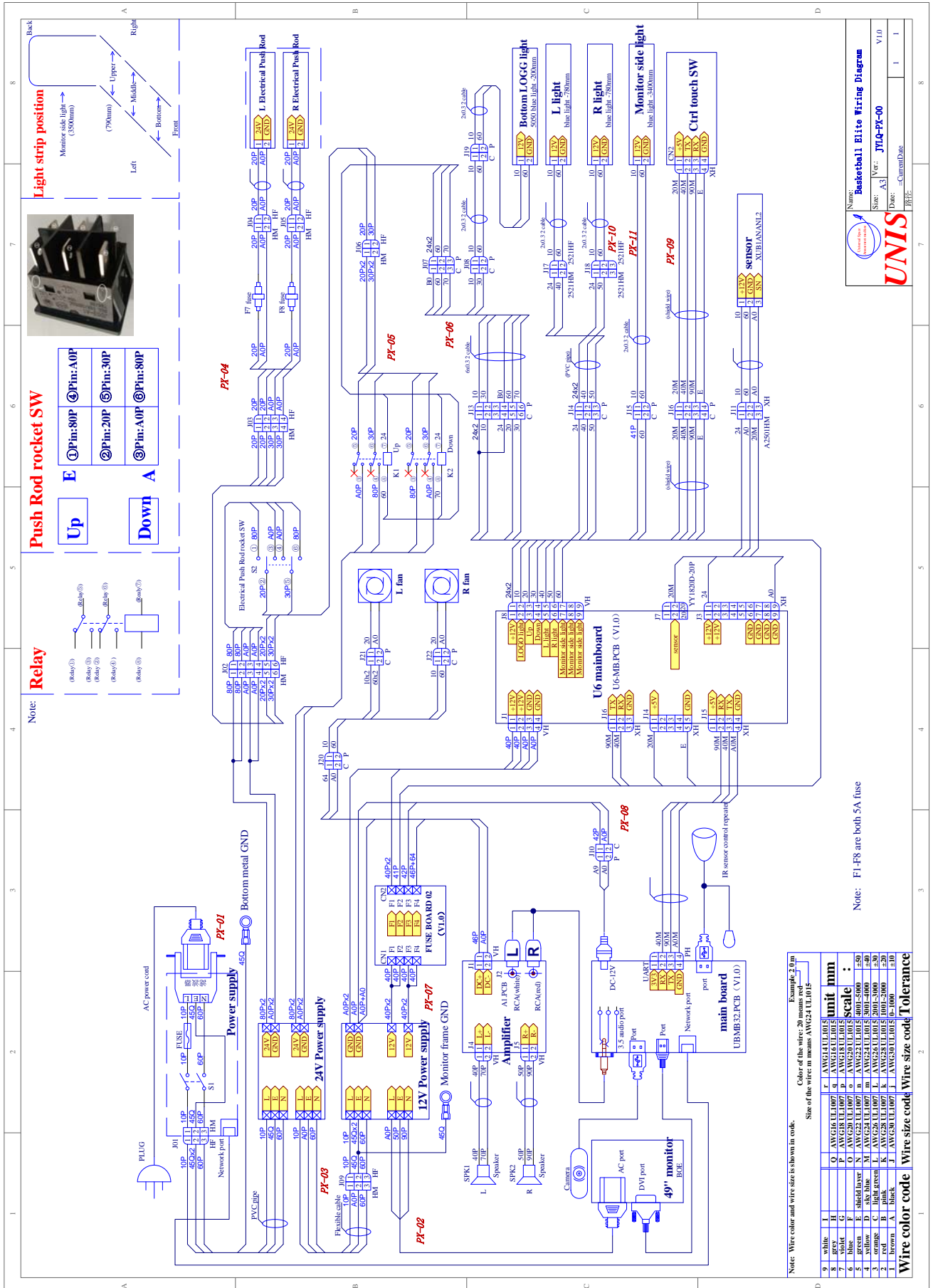


No.	Part No.	Code No.	Name	Qty
1	B137-405-000	2.11.07.040029	Camera	1
2	B137-417-000	2.28.01.000005	Speaker	2
	B137-412-000	2.33.05.000010	Audio cable	1
3	B137-431-000	2.65.03.000286	Chain	2
4	B137-428-000	2.20.02.015017	BG5050B light strip	7.87in(200mm)
5	B137-404-000	297.9.1911001	Touch button	1
6	B137-427-000	2.20.02.018004	Light strip(blue)	133.85in(3400mm)
7	B137-407-000	2.15.01.000041	Sensor	2
8	B137-425-000	2.21.4.0000012	Relay holder	2
	B137-424-000	2.21.4.0000016	Relay	2
9	B137-408-000	2.16.02.000105	Power supply(24V)	1
10	B137-426-000	2.26.01.000044	Rocket switch	1
11	B137-427-000	2.20.02.018004	Light strip(blue)	30.70in(780mm)
12	B137-427-000	2.20.02.018004	Light strip(blue)	30.70in(780mm)
13	B137-423-000	2.19.02.000024	Fuse holder	2



No.	Part No.	Code No.	Name	Qty
1	B137-409-000	2.16.02.000115	Power supply(12V)	1
2	B137-421-000	2.17.14.000148D	Fuse board(green holder)	1
3	B137-403-000	297.9.0300007A	U6 mainboard	1
4	B137-406-000	4.13.00000007	Recovery stick	1
	B137-102-000	2.60.00064000	Recovery stick plate	1
5	B137-401-000	297.9.2004001	Mainboard	1
6	B137-101-000	2.60.00042000A	Wiring box	1
7	B137-415-000	2.33.02.000001	Network port	1
	B137-414-000	2.33.02.000012	Network cable	1
8	B137-419-000	2.26.01.000005	Rocket switch(s)	1
9	B137-422-000	2.19.01.000012	Fuse	1
	B137-418-000	2.19.02.000006	Fuse holder	1
10	B137-420-000	2.32.01000001A	Filter	1
	B137-410-000	2.33.01.040051	Power cord	1
11	B137-411-000	2.33.09.000363	Cable set	1
12	B137-416-000	297.9.0300009A	Amplifier board	1

10. WIRING DIAGRAM



UNIS

Basketball Elite Wiring Diagram

Ver: JTLQ-PX-00

V1.0

Date: -

Current Date: -