



Be Sure
to Read this
Manual
Before Use

Operation Manual



www.universal-space.com

CONTENT

IMPORTANT SAFETY INSTRUCTIONS	2
1. SPECIFICATIONS	4
2. PACKAGE CONTENTS.....	5
3. PART NAME	6
4. SET UP & INSTALLATION	7
5. HOW TO PLAY	14
6. GAME OPTIONS.....	15
7. MAINTENANCE, INSPECTION	18
8. OVERALL CONSTRUCTION	19
9. Decal	36
Wiring diagram.....	39

Non-technical personnel who do not have technical knowledge and Expertise should refrain from performing such work that this manual require or perform tasks which are not explained in this manual. Failing to comply can cause severe accidents such as electric shock or other serious injuries. All repairs must be performed to original manufacturer specifications.

WARNING: To reduce the risk of fire, electric shock or personal injury, unplug or disconnect the machine from the power supply before servicing.



Thank you for purchasing **Barrel of Laughs** from Universal Space. We hope you enjoy the product.

This manual contains valuable information about how to operate and maintain your game machine properly and safely. It is intended for the owner and/or personnel in charge of product operation. Carefully read and understand the instructions.

If you need any help during installation and setup please utilize this manual and troubleshooting guide. If the product fails to function properly, *non-technical personnel should under no circumstance attempt to service the machine*. Contact your distributor or manufacturer for help.

Before use, please read **IMPORTANT SAFETY INSTRUCTIONS**.

IMPORTANT SAFETY INSTRUCTIONS

To ensure the safe usage of this product, carefully read and understand these instructions before operating your game.

Save these instructions for future reference.

Use this product only as described in this manual. Other uses not recommended may cause fire, electric shock or personal injury. Unplug the game from the outlet when not in use, when moving from one location to another, and before cleaning/servicing.

Explanations which require special attention are indicated by signs of warning. Depending on the potential hazardous degree, the terms: **NOTE**, **NOTICE**, and **WARNING** are used.

NOTE: A NOTE indicates useful hints or information about product usage.

NOTICE: A NOTICE indicates potential damage to product and how to avoid the problem.

WARNING: A WARNING indicates a potential for product damage or serious personal injury.

It is important to understand the meaning of the following **HAZARD SIGNS** before continuing:

High Voltage and Shock Hazard:

High voltage can cause electric shock.

Turn off/unplug power before servicing.



High Temperature Hazard:

This part may cause scalding.

Do not touch. Surface may be hot.



No Touching Hazard:

This part may be hot or can cause electric shock.

Do not touch.



Use the following safety guidelines to help ensure your own personal safety and to help protect your equipment and surrounding environment from potential damage.



This product is an indoor game machine. Do not install outdoors.

Avoid installing in the following places to prevent fire, electric shock, injury and/or machine malfunctioning:

- Places subject to rain/moisture, or places subject to high humidity.
- Places subject to direct sunlight, or places subject to extremely hot or cold temperatures to ensure that it is used within the specified operating range.
- Places where inflammable gas may be present or in the vicinity of highly inflammable/volatile chemicals or items that can easily catch fire
- On unstable or sloped surfaces. The machine may topple or cause unforeseen accidents.
- Vicinity of fire exits, fire extinguishers etc that may block/prevent safety measures

IMPORTANT NOTE:

ALL REPAIRS MUST BE DONE TO ORIGINAL MANUFACTURER SPECIFICATIONS. FAILURE TO DO SO VOID ALL WARRANTIES AND OPERATOR ASSUMES ALL RISKS.

Note: The contents of this manual may be updated without notice.

1. SPECIFICATIONS

Rated power supply: AC110V /60Hz

Min. Power consumption: 70W

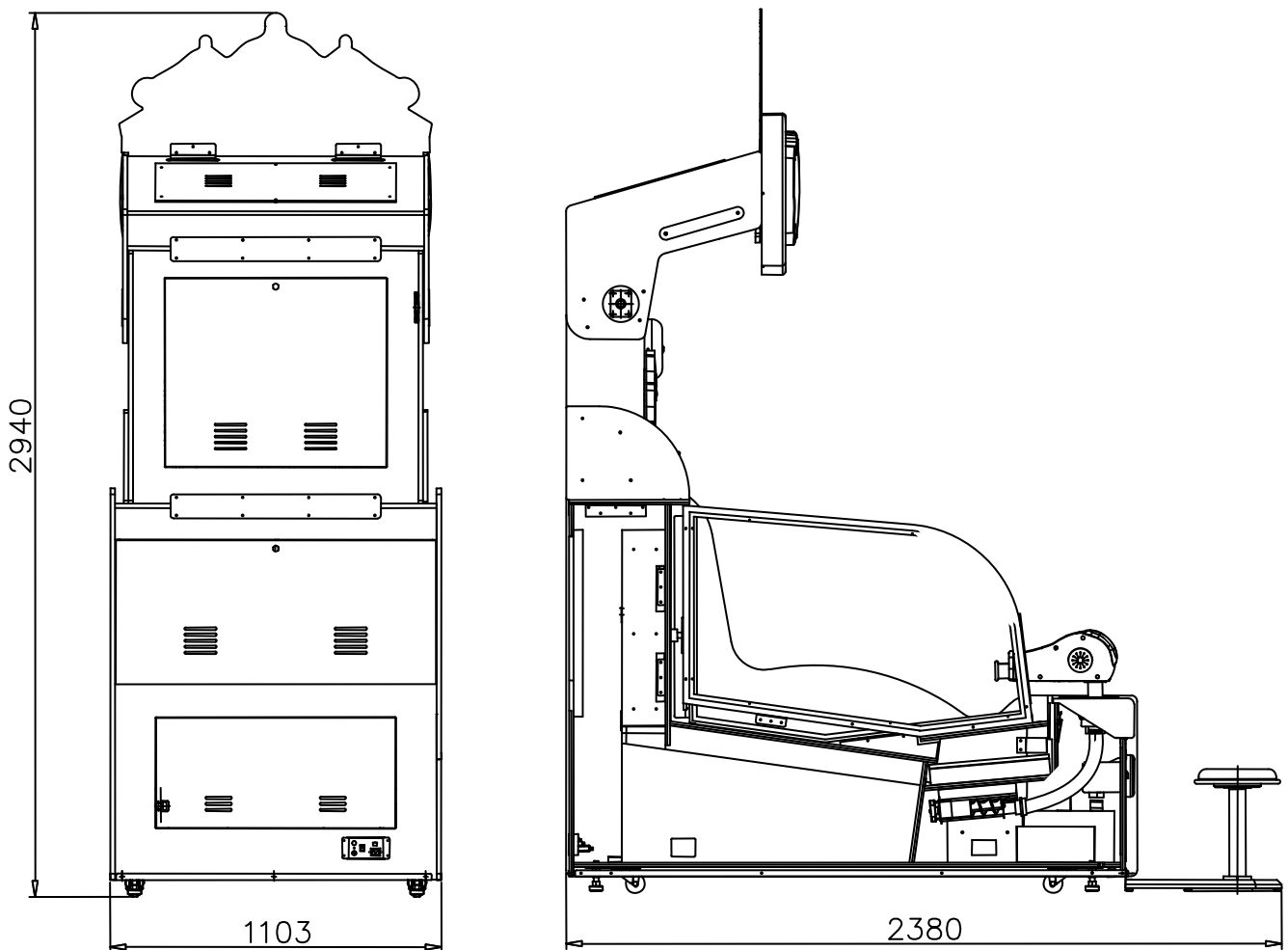
Max. Power consumption: 450W

Dimensions: W1103×D2380×H2940 (mm)

Weight: Approximately 300kg



NOTICE: After turning off the game, please wait at least 1 minute before restarting again.








Note: The contents of this manual may be updated without notice.

2. PACKAGE CONTENTS

Open the package and make sure all the items are included:

- 1 x Body Assembly
- Following accessories

No.	Part No.	Code	Name	Spec.	Qty	Picture
1	B120-401-000	21901000010	Fuse	Φ5×20mm T3A 250VAC	1	
2	B120-402-000	23301010020	Power cord	3×16AWG 1.8M	1	
3	B120-403-000	25300172002	Key	171B	2	
4	B120-446-000	25300171002	Key	171	2	
5	B120-701-001	41440000054	Manual	English	1	
6	B120-474-000	40607000001	L type Allen wrench	CR-V4mm	1	
7	B120-181-000	20611407014	Rubber ball	φ35	20	
8	B120-736-000	20511407018	Turntable plastic 3	500x500x3 Silk screen	1	
9	B120-737-000	20511407019	Turntable plastic 4	500x500x3 Silk screen	1	
10	B120-144-000	20611407004	Rotating ball wheel	φ50	4	
11	B120-405-000	21503000046	Photoelectric sensor	RC1A05H	1	

If any items are found to be missing, please contact your sales representative for help immediately.

NOTE: Part models are subject to change without notice.

3. PART NAME



4. SET UP & INSTALLATION

 **This product is an indoor game machine. Do not install outdoors.**

- Refer to IMPORTANT SAFETY INSTRUCTIONS (Pg. 2) for places to avoid
- Place the unit on a dry level surface
- Ventilation openings in the back of the unit must not be obstructed by objects or by wall.

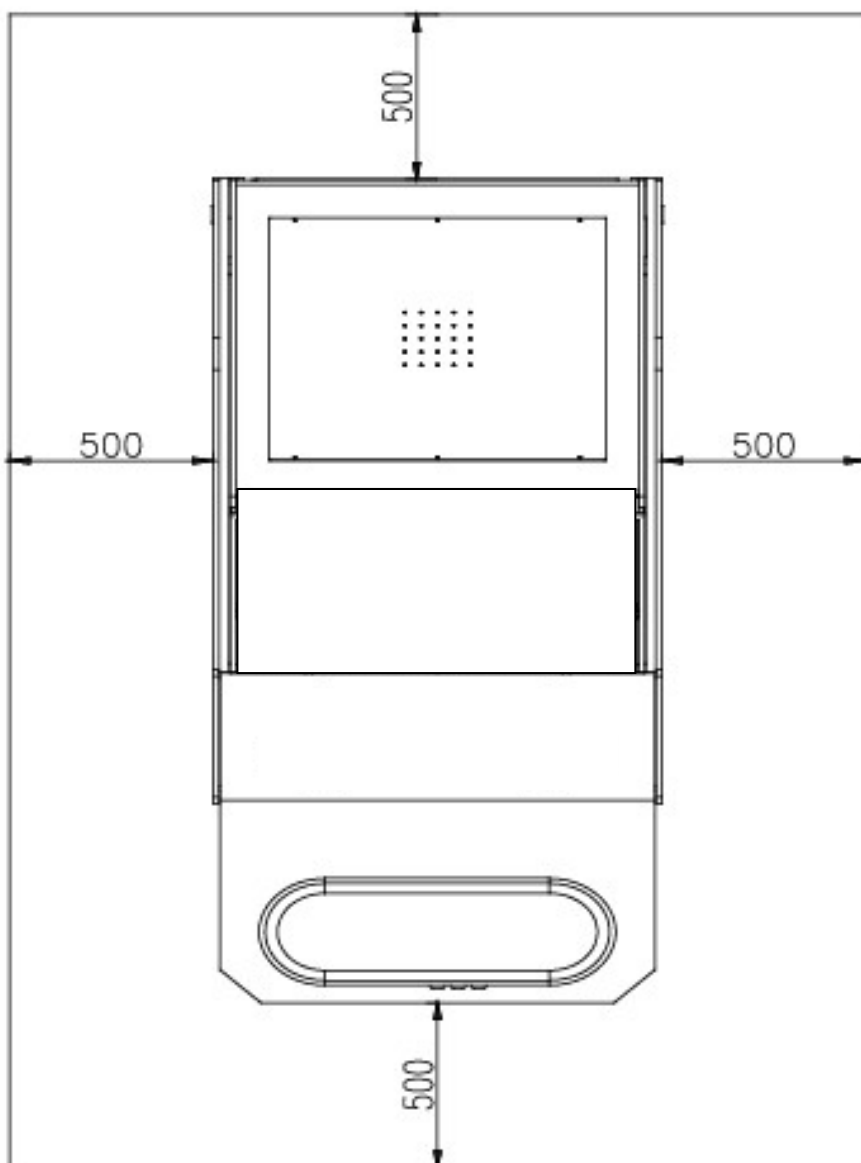
4.1 Play Zone

This machine requires space for playing and for maintenance as shown below.

Leave space around the game upon installation:

Service Area: 500mm

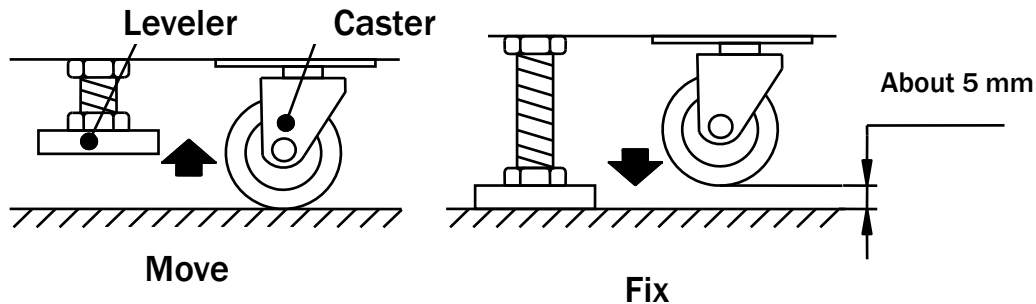
Play Area: 500mm



4.2 Level Adjustment

Install this machine on a flat surface. Adjust levers to lift casters off the ground to level the game. If the game is installed on an unsuitable floor, it could cause game malfunction.

To secure the game, adjust the Leveler down until it touches the floor, lifting the casters off the ground by 5mm. Repeat the same for all levelers.

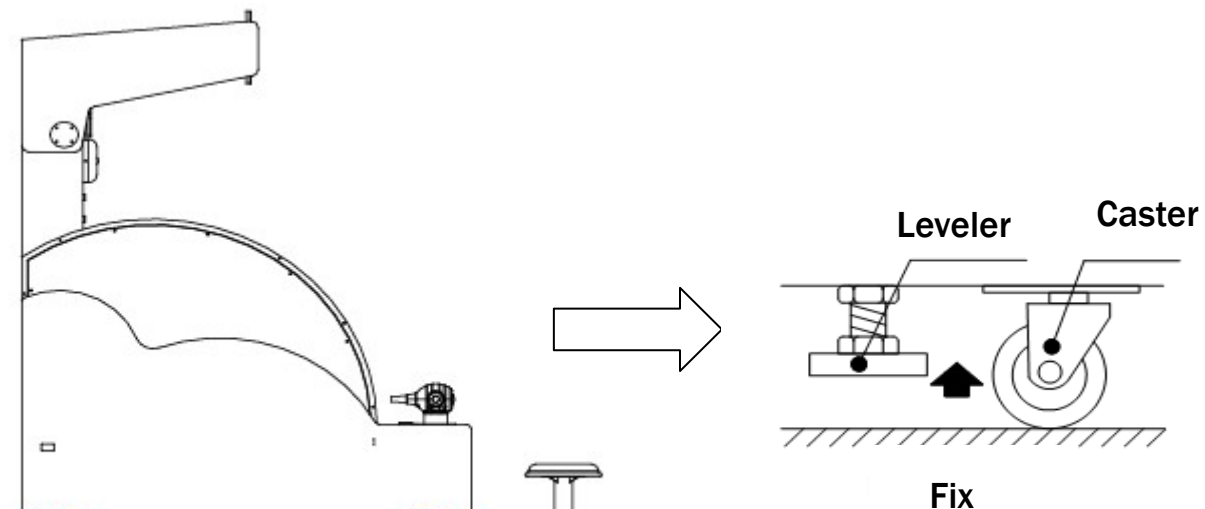


! NOTICE

Make sure the machine is level with the ground and all the adjustable legs should stick to the floor closely.

4.3 Transporting the Machine

If you need to move the game, adjust the levelers back to an “up” position so the casters touch the ground.



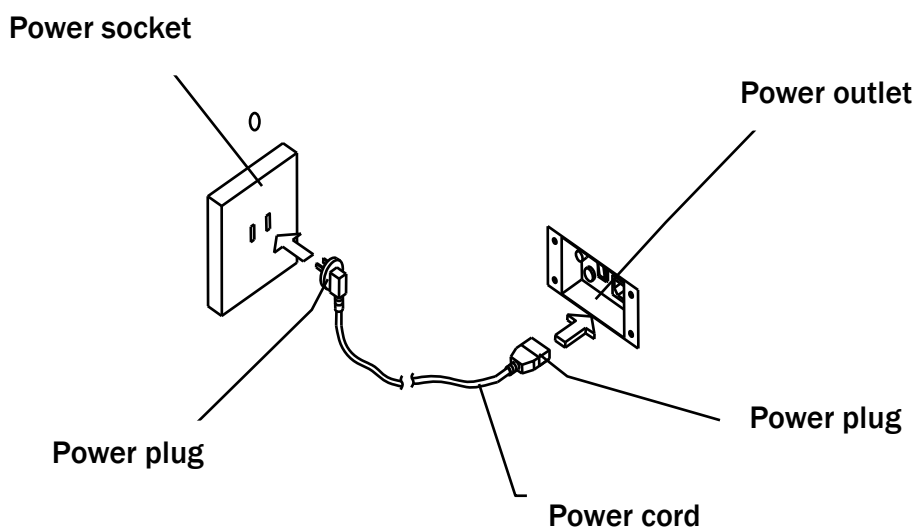
! NOTICE

- Be careful not to damage the machine during transport.
- The machine should be handled with care when bringing it down from a higher level.
- Always unplug the game before moving.
- Keep the machine in upright position during transport.
- For longer distance transport, package the game properly to prevent damages.

4.4 Connecting Power

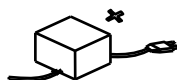
WARNING: Check the voltage rating before you connect the equipment to an electrical outlet to ensure that the required voltage and frequency match the available power source. Please refer the label of the machine.

- Do not plug the equipment power cables into an electrical outlet if the power cable is damaged.
- Avoid putting many loads on one electrical outlet as it could generate heat and fire resulting from overload.
- Connect the grounding conductor to the earth terminal (GND):

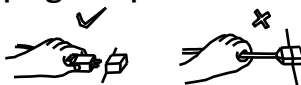


WARNING

Ensure no heavy objects rest on the power cord. Check to make sure the game cabinet does not sit on the power cord as this could damage the cord and become hazardous.



To disconnect the game, grip the plug and pull it from the wall outlet. Never pull by the cord.



To prevent electric shock, do not touch the power plug when hand is wet.



Ensure that nothing rests on the power cord and that it is not located where it can be stepped on or tripped over.



4.4 How to Install Marquee Assy.

Step 1: Remove 2 screws from both sides of the metal plate on top of the cabinet (4-4-1). Fix it to the cabinet as the picture shown (4-4-2).



4-4-1



4-4-2

Step 2: Lift up the marquee in the correct position by 2 people. One needs to support the marquee in the front.



Step 3: The other needs to install 4 provided screws (M6*40) from the accessory box to fix the marquee.



Step 4: Take the connection metal plate from accessory box. Fix it to the cabinet with 8 screws (M6*20) as the picture shown.



Step 5: Find the cable connector at the back of the cabinet. Then connect it to the other end from the top marquee hole.



4-2-6



Step 6: Lift up the marquee in front of the cabinet by 2 people. Fix it to the cabinet as the picture shown.

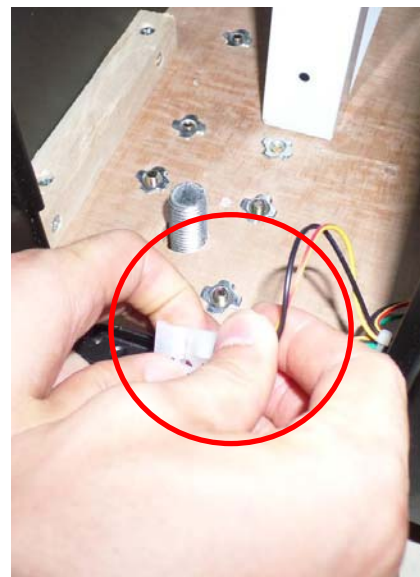


4.5 How to Install Seat Assy.

Step 1: Push the seat assembly at the front of the cabinet. Make seat assembly mounting holes and cabinet mounting holes horizontal alignment.



Step 2: Take out seat light cable connector, and get it through the hole on the bottom of the cabinet. Then connect it to the other end from the ticket door.



Step 3: Put the seat assembly against the cabinet, aligning the seat mounting holes with cabinet mounting holes



5. HOW TO PLAY

1. AIM FOR THE TARGETS

2. TARGET LIGHTS ILLUMINATE WITH EACH TARGET HIT

BONUS

WIN

LIGHT UP ALL TO WIN

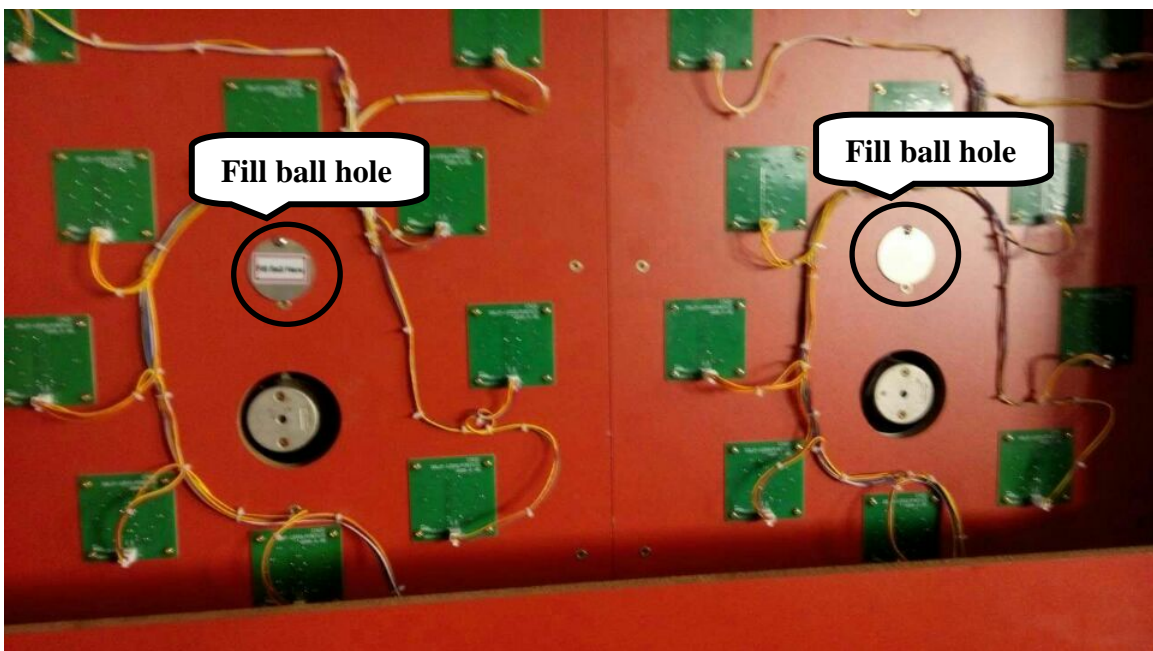
3. LIGHT UP ALL TARGET LIGHTS TO WIN THE BONUS AND DROP THE CLOWN



Shoot 1~3 holes can get certain tickets according to the IO chart.
Shoot 4~6 holes can get certain tickets according to the IO chart.
Shoot 7~8 holes can get certain tickets according to the IO chart.
Shoot 9 holes can win BONUS

! NOTICE

Open the back door and make sure fill ball from the ball hole.
Do not fill ball from both sides of the service door.

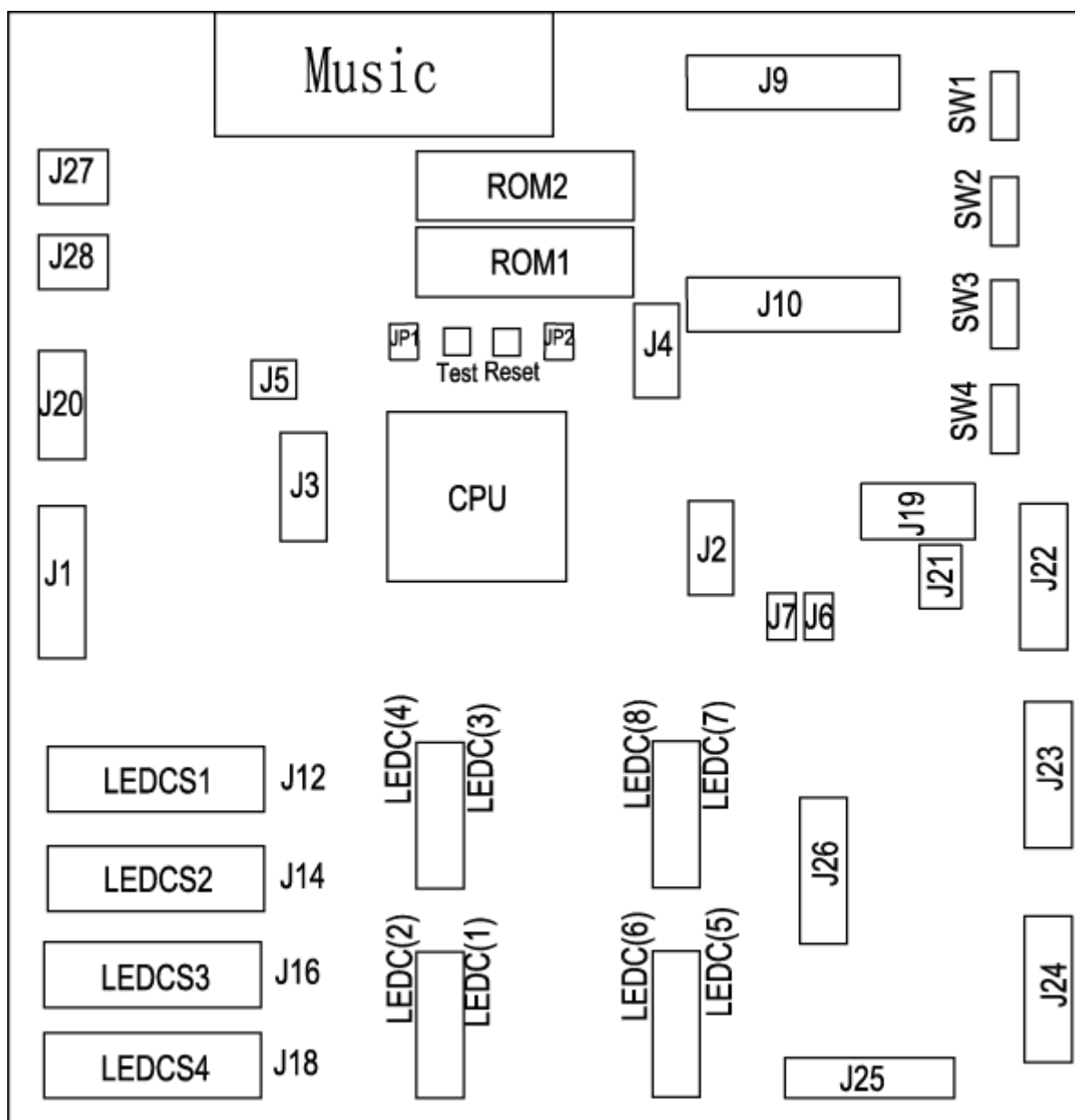


6. GAME OPTIONS

Check the attached I/O chart and schematic diagram, PC plan available machine input and output correspond to each connection position. Based on the DIP adjustment can be set the machine control signal.

DIP regulating reference I/O list, capital letters for factory Settings, and user can adjust themselves according to the operation condition.

Main Board





IO Settings

SW1

Item	Content	1	2	3
Coin per game	1	ON	ON	ON
	2	off	on	on
	3	on	off	on
	4	off	off	on
	10	on	on	off
	1/2	off	on	off
	1/3	on	off	off
	1/4	off	off	off

Item	Content	4	5
Game time	30S	ON	ON
	40S	off	on
	50S	on	off
	60S	off	off

Item	Content	6	7
Demo music	120s	on	on
	180s	off	on
	240s	on	off
	OFF	OFF	OFF

Item	Content	8
Memory	YES	ON
	NO	off

SW2

Item	Content	4
Ticket error	Continue to play	ON
	Call attendant	off

Item	Content	5	6
Bonus+	0	on	on
	1/4	off	on
	1/2	on	off
	1/1	off	off

Item	Content	4
Mercy ticket	0	ON
	Min	off

SW3

Item	Content	1	2	3
BONUS initial	30	on	on	on
	50	off	on	on
	80	ON	OFF	ON
	100	off	off	on
	150	on	on	off
	200	off	on	off
	300	on	off	off
	500	off	off	off

Item	Content	1	2	3
Score group	①	on	on	on
	②	off	on	on
	③	on	off	on
	④	OFF	OFF	ON
	⑤	on	on	off
	⑥	off	on	off
	⑦	on	off	off
	⑧	off	off	off

SW	1-3 Holes	4-6 Holes	7-8 Holes	9 Holes
①	0	0	0	0
②	1	2	3	Bonus
③	2	3	4	Bonus
④	2	4	8	Bonus
⑤	5	10	15	Bonus
⑥	10	20	30	Bonus
⑦	15	20	25	Bonus
⑧	20	40	60	Bonus

TEST METHOD:

Press TEST button once, it displays segment 8.7.6.5.4.3.2.1,A,B,C,D,E,F.

Press TEST button once again, display 1, LED<1>4-1 shows DIP status.

Press TEST button again, display 2, shows switch shut off no.

Press TEST button again, display 3, press IN1,2,3, test music

ERROR DISPLAY:

1. If input signal is error when starting the game, the following error code is display.
- 2., Score display will show "HLP" when out off ticket.

CLEAR MEMORY:

Put SW1.8 to OFF to clear memory.

Be sure clear memory after machine was approved.

Error code

E01	1# hole 1 sensor	E18	2# hole 2 sensor
E02	1# hole 2 sensor	E19	2# hole 3 sensor
E03	1# hole 3 sensor	E20	2# hole 4 sensor
E04	1# hole 4 sensor	E21	2# hole 5 sensor
E05	1# hole 5 sensor	E22	2# hole 6 sensor
E06	1# hole 6 sensor	E23	2# hole 7 sensor
E07	1# hole 7 sensor	E24	2# hole 8 sensor
E08	1# hole 8 sensor	E25	2# hole 9 sensor
E09	1# hole 9 sensor	E26	2# hole 10 sensor
E10	1# hole 10 sensor	E27	2# turntable initial status
E11	1# turntable initial status	E28	2# clown upper limit status
E12	1# clown upper limit status	E29	2# ball detect SE
E13	1# ball detect SW	E30	Reset button
E17	2# hole 1 sensor	E31	Service button

7. MAINTENANCE, INSPECTION

7.1 Safety Check

Check the points listed before operating the machine. These checks are necessary for safe machine operation:

1. Try to run the game before operation each day.
2. Conduct monthly routine checks of game components ensure good working condition
3. Check the machine regularly for dust and clean when necessary.

Note: Parts and components require preventative maintenance to be kept running smoothly.

7.2 Handling Precautions

When installing or inspecting the machine, be very careful of the following points and pay attention to ensure that the player can enjoy the game safely.

Non-compliance with the following points or inappropriate handling running counter to the cautionary matters herein stated can cause personal injury or damage to the machine.



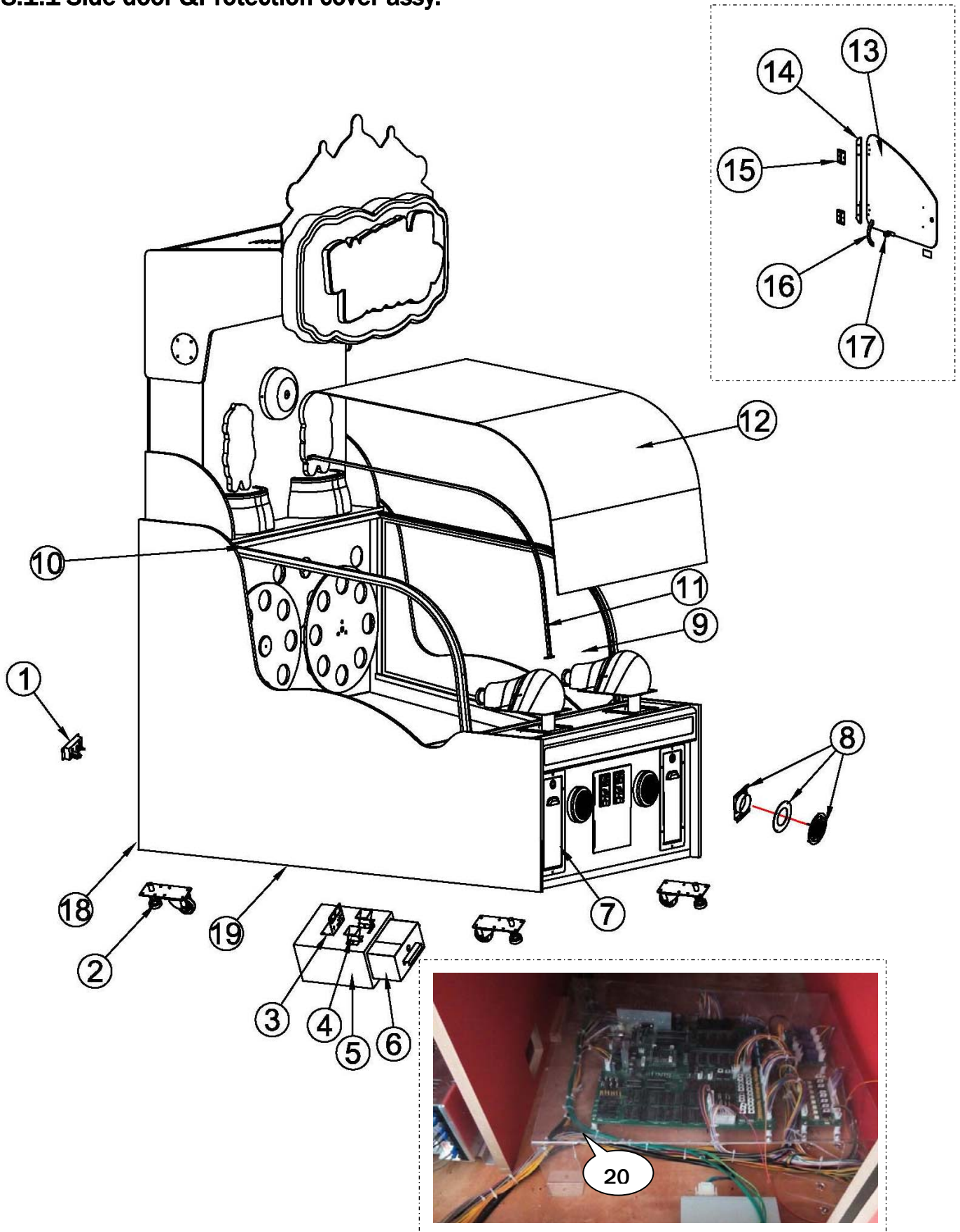
WARNING

- Before servicing the machine, be sure to turn power off. Servicing without turning the power off can cause electric shock or short circuit.
- To avoid electric shock or short circuit, do not plug then unplug the power quickly
- Do not expose power cords and earth wires, these are susceptible to damage.
- Damaged cords and wires can cause electric shock or short circuit and should be replaced immediately.
- When or after installing the product, avoid pulling the power cord to prevent unnecessary wear and tear. Use the power button to disconnect power.
- In case the power cord is damaged, ask for replacement through where the product was purchased from or replace locally. Continued usage of damaged cord can cause fire, electric shock or leakage.
- Perform grounding appropriately. Inappropriate grounding can cause electric shock.
- Use fuses that meet specified rating. Fuses exceeding can cause an electric shock.
- Should a problem occur, turn off the power immediately and stop operating the machine. Unplug the power cord of the service outlet. Operating the machine without correcting the problem may cause a fire or injuries.
- Insert the power plug securely into the outlet. Poor contact may cause overheating, resulting in fire or burns.
- To ensure the warning labels attached on the machine are visible and legible, install the machine in a well-lit location, and keep the labels clean at all times. Make sure the labels are not hidden behind other game machines.

8. OVERALL CONSTRUCTION

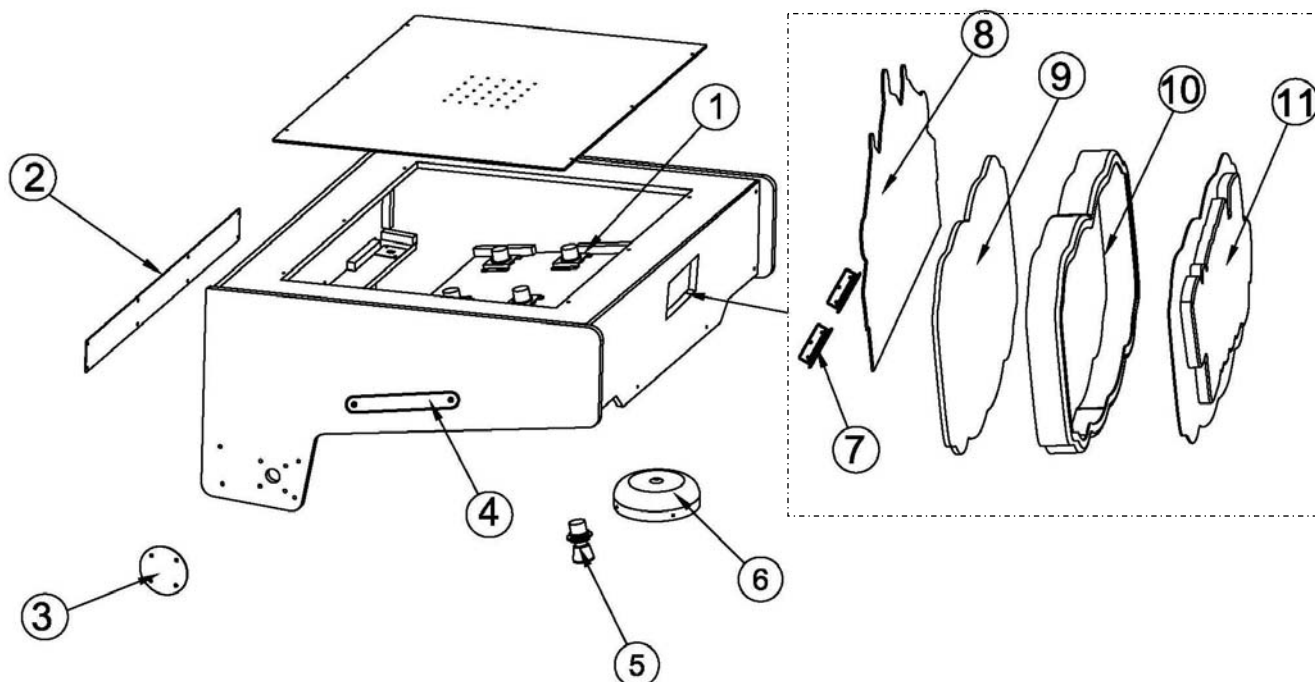
8.1 Mechanical Part

8.1.1 Side door & Protection cover assy.



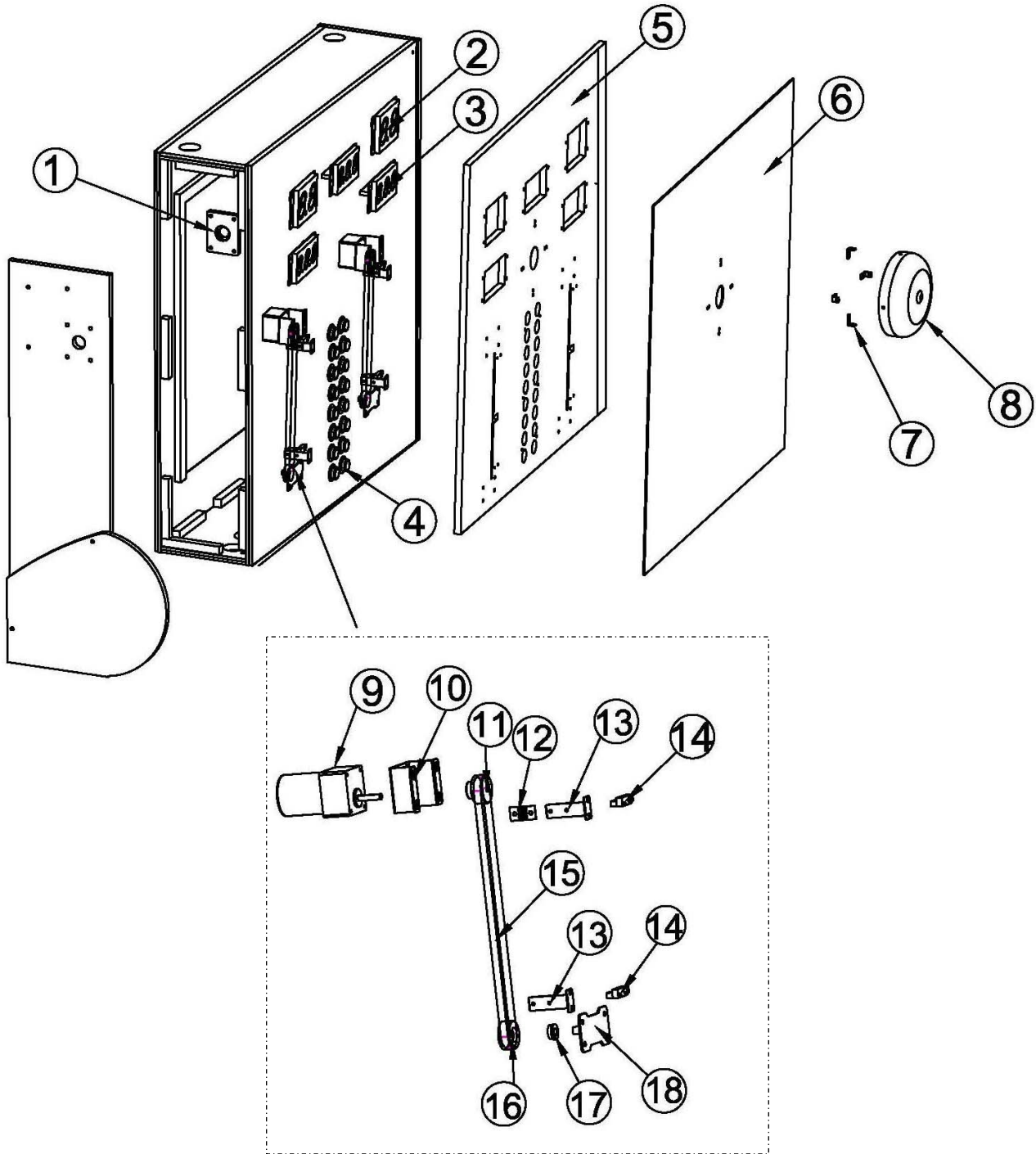
No.	Part No.	Code	Name	Qty
1	B120-117-000	26000042000	Wiring box	1
	B120-118-000	26000042001	Wiring box	1
	B120-119-000	26000042002	Wiring box cover	1
	B120-120-000	26000042003	Cable cover	1
2	B120-345-000	20102000014	hexagon nut	4
	B120-357-000	20104013004	Cross recessed hexagon screw bolt	4
	B120-110-000	26000008000	Leveler	4
	B120-111-000	26000010000	Caster bracket	4
	B120-448-000	25501000056	2.5" castor	4
3	B120-121-000	26000044000	Counter bracket	1
4	B120-136-000	20211407007	Coin funnel	2
5	B120-550-000	20311407050	Coin outer box	1
6	B120-127-000	26000062000	Coin inner box	1
	B120-445-000	25300171001	Lock	1
	B120-126-000	26000058000	Key ring	1
7	B120-112-000	26000018000	Single ticket door	2
	B120-113-000	26000018001	Door frame	2
	B120-114-000	26000018002	Ticket door	2
	B120-115-000	26000018003	Hinge	2
	B120-116-000	26000018004	Hook	2
8	B120-123-000	26000057000	Speaker light assy.	2
	B120-124-000	26000057001	Speaker light cover	2
	B120-125-000	26000057002	Speaker light holder	2
9	B120-249-000	20611407024	Protection cover side plastic	2
	B120-244-000	20211407095	Protection cover support bracket	2
10	B120-253-000	20211407098	Protection cover frame	1
11	B120-252-000	20211407097	Protection cover middle bracket	1
12	B120-251-000	20611407026	Protection cover top plastic	1
	B120-122-000	26000053000	Rubber pad B	1
	B120-366-000	20113000055	C class flat washer	1
13	B120-255-000	20611407028	L&R service door	1
14	B120-254-000	20611407027	Service door cushion	1
15	B120-450-000	26300000004	Hinge	1
16	B120-440-000	25102000001	Stainless steel clamp	1
17	B120-256-000	20211407099	Side door lock piece	2
18	B120-128-000	20211407001	Back edge	1
19	B120-129-000	20211407002	Side edge	2
20	B120-262-000	20211407Y371	Protective cover	1

8.1.2 Marquee assy.



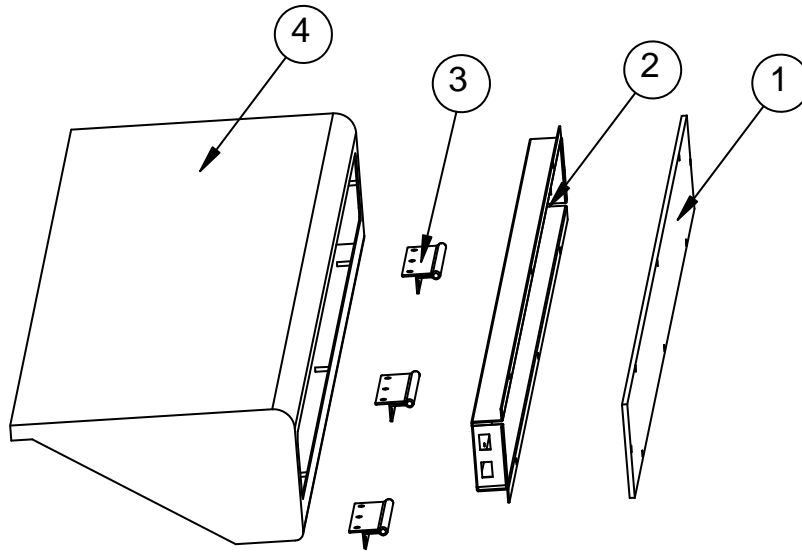
No.	Part No.	Code	Name	Qty
1	B120-241-000	20211407092	Spotlight seat	8
2	B120-242-000	20311407054	Marquee fixed plate	1
3	B120-141-000	20211407011	Back reinforced plate	1
4	B120-243-000	20211407094	Marquee side fixed plate	2
5	B120-418-000	22004070001	Marquee spotlight	8
6	B120-429-000	22802000004	Alarm bell	1
7	B120-240-000	20211407091	Top marquee fixed plate	2
8	B120-730-000	20511407012	Top Marquee plastic	1
9	B120-242-000	20311407054	Marquee fixed plate	1
10	B120-239-000	20211407090	Plastic fixed plate	1
11	B120-238-000	20611407020	Marquee shell	1

8.1.3 Clown lifting assy.



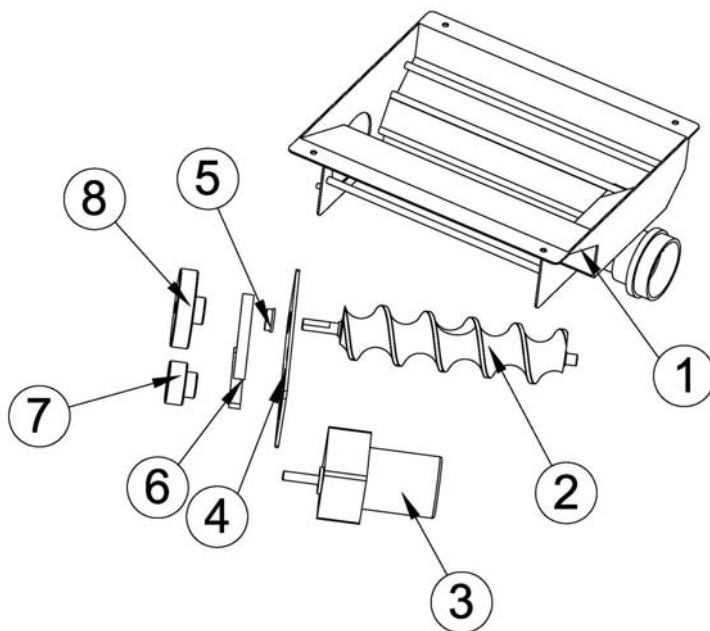
No.	Part No.	Code	Name	Qty
1	B120-132-000	20211407005	Marque location block	2
	B120-364-000	20106000136	Deep groove ball BR.	2
	B120-362-000	20104020025	Hexagon head bolt	2
2	B120-456-000	29710615001	Time digital board	2
3	B120-467-000	29790800003	score digital board	3
4	B120-538-000	20311407038	Middle socre plate	1
5	B120-538-000	20311407038	Middle socre plate	1
6	B120-729-000	20511407011	Score plastic	1
	B120-306-000	20101000066	Hexagon flat round head screws	30
7	B120-233-000	20211407086	WIN cover fixed sheet	4
8	B120-237-000	20211407089	Bonus light plate bracket	1
9	B120-434-000	23404000211	Motor	2
10	B120-231-000	20211407084	Motor mounting plate	4
11	B120-183-000	20211407040	Small Synchronous wheel	2
12	B120-229-000	20211407082	Synchronous belt fixed sheet	2
13	B120-228-000	20211407081	Synchronous belt tablet	2
14	B120-405-000	21503000046	Photoelectric sensor	2
15	B120-453-000	26504000111	Ball belt	2
16	B120-230-000	20211407083	Driven synchronous wheel	2
17	B120-365-000	20106000320	Flange BR.	2
18	B120-232-000	20211407085	Driven wheel mounting plate	2

8.1.4 Control panel assy.



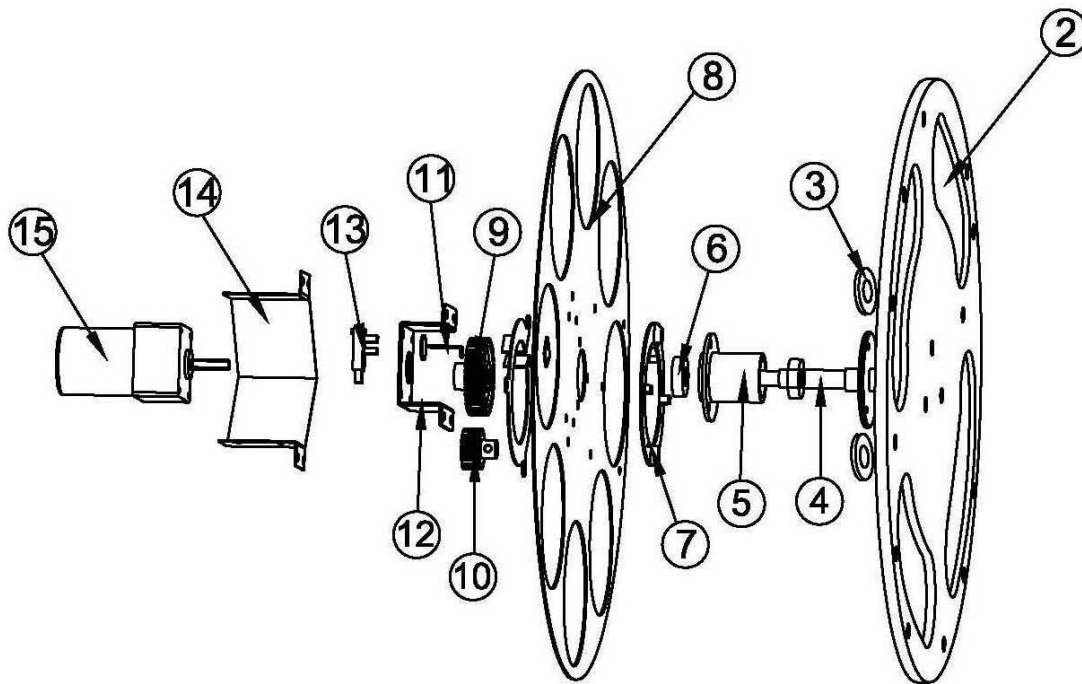
No.	Part No.	Code	Name	Qty
1	B120-723-000	20511407005	Control panel front plastic	1
2	B120-175-000	20211407037	Control panel light with box	1
3	B120-451-000	26300000011	Hinge	3
4	B120-172-000	20211407034	Control panel metal assy.	1
	B120-173-000	20211407035	Control panel metal1	1
	B120-174-000	20211407036	Control panel metal2	1

8.1.5 Rotation ball basin assy.

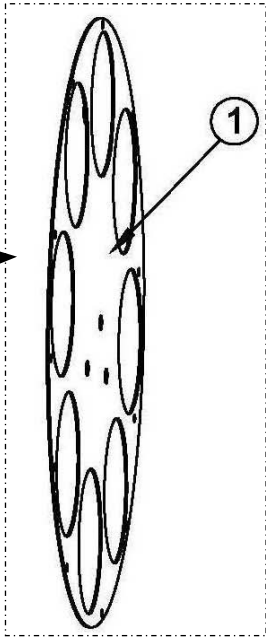


No.	Part No.	Code	Name	Qty
1	B120-188-000	20211407044	Rotation ball basin assy.	2
	B120-189-000	20211407045	Rotation ball basin	2
	B120-190-000	20211407046	Ball basin pipe	2
	B120-192-000	20211407048	Ball basin plate	2
2	B120-186-000	20611407015	Nylon rod	2
3	B120-436-000	23404000213	Motor	2
4	B120-187-000	20211407043	motor mounting plate	1
5	B120-365-000	20106000320	Flange BR.	2
6	B120-453-000	26504000111	Ball belt	2
7	B120-183-000	20211407040	Small Synchronous wheel	2
8	B120-182-000	20211407039	Big Synchronous wheel	2

8.1.6 Turntable assy.

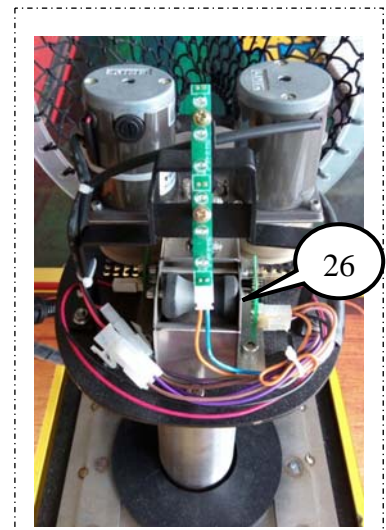
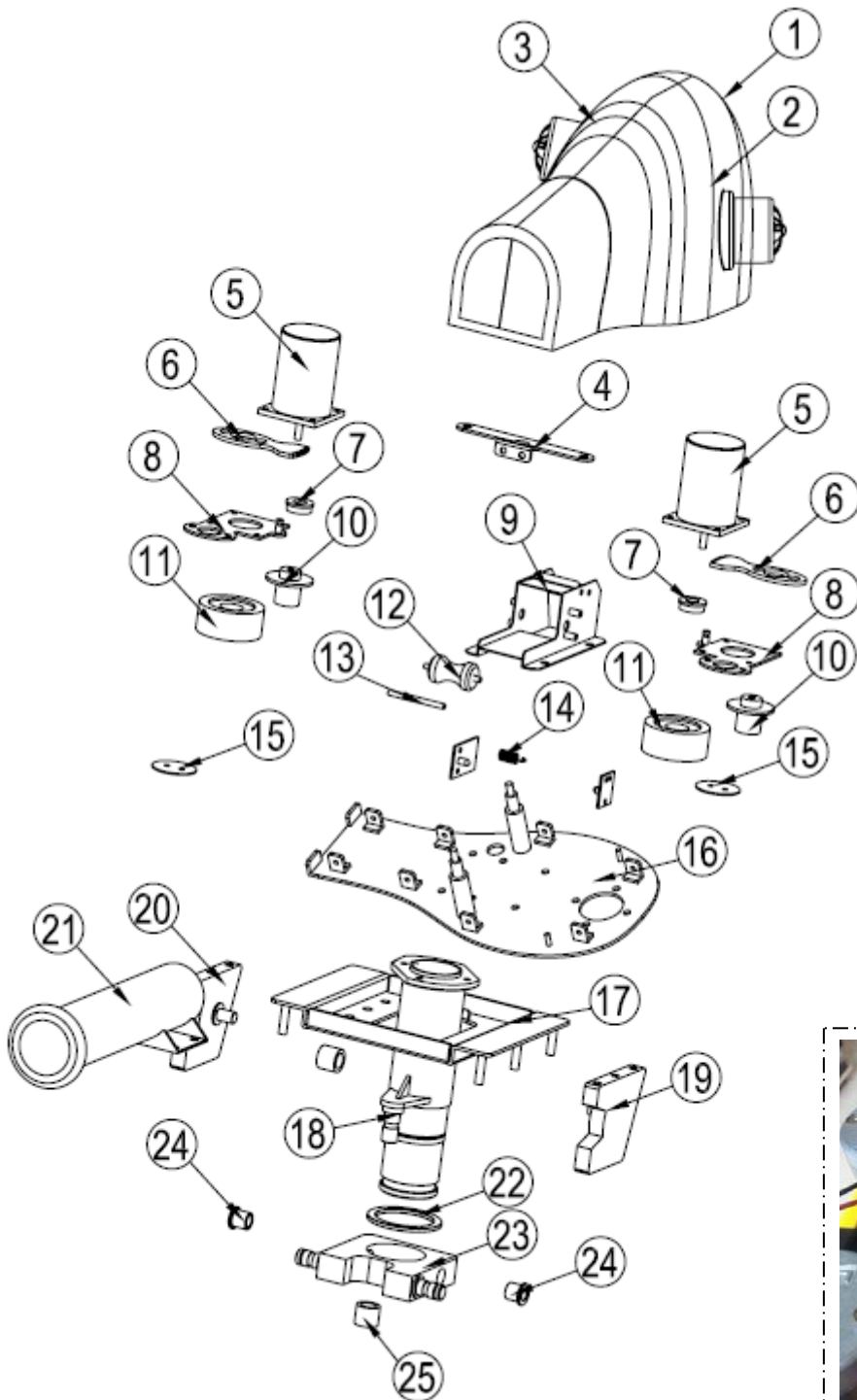


The Turntable plastic is accessory.
According to the game difficulty
level can be replaced



No.	Part No.	Code	Name	Qty
1	B120-735-000	20511407017	Turntable plastic 2	1
	B120-736-000	20511407018	Turntable plastic 3	1
	B120-737-000	20511407019	Turntable plastic 4	1
2	B120-724-000	20511407006	Turntable plastic 1	1
3	B120-203-000	20611407016	Turntable buffer	4
4	B120-208-000	20211407063	Turntable shaft	1
5	B120-207-000	20211407062	Turntable flange	1
6	B120-363-000	20106000028	Deep groove ball BR.	2
7	B120-202-000	20211407058	Goal PCB bracket	10
8	B120-206-000	20211407061	Goal box reinforced plate	1
9	B120-201-000	20211407057	Rotary driven wheel	2
10	B120-200-000	20211407056	Rotary driving wheel	1
11	B120-204-000	20211407059	Turntable buffer reset chip	1
12	B120-231-000	20211407084	Motor mounting plate	1
13	B120-405-000	21503000046	Photoelectric sensor	1
14	B120-205-000	20211407060	Goal box motor cover	1
15	B120-437-000	23404000214	Motor	1

8.1.7 Gun assy.

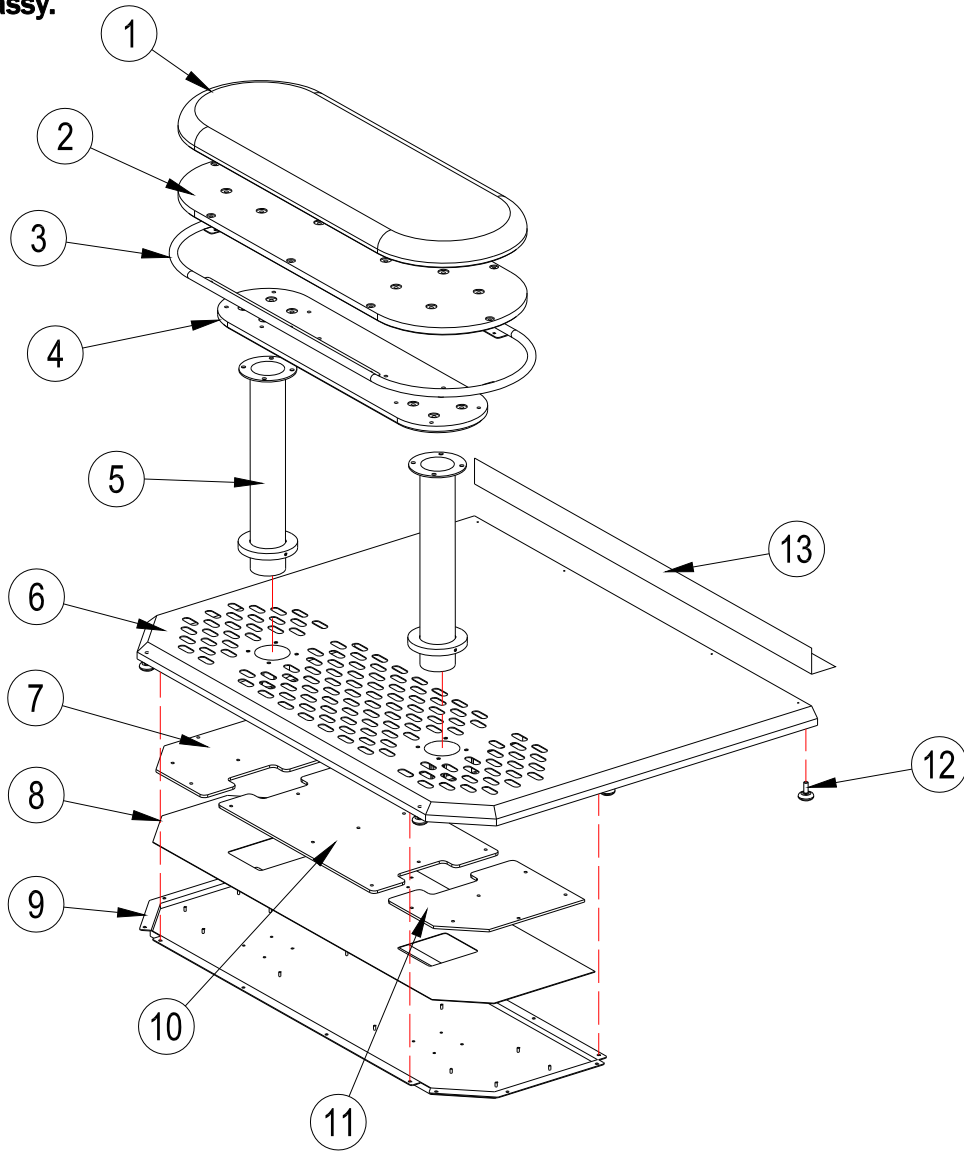


Ball distance and straightness adjustable spacing two casters.



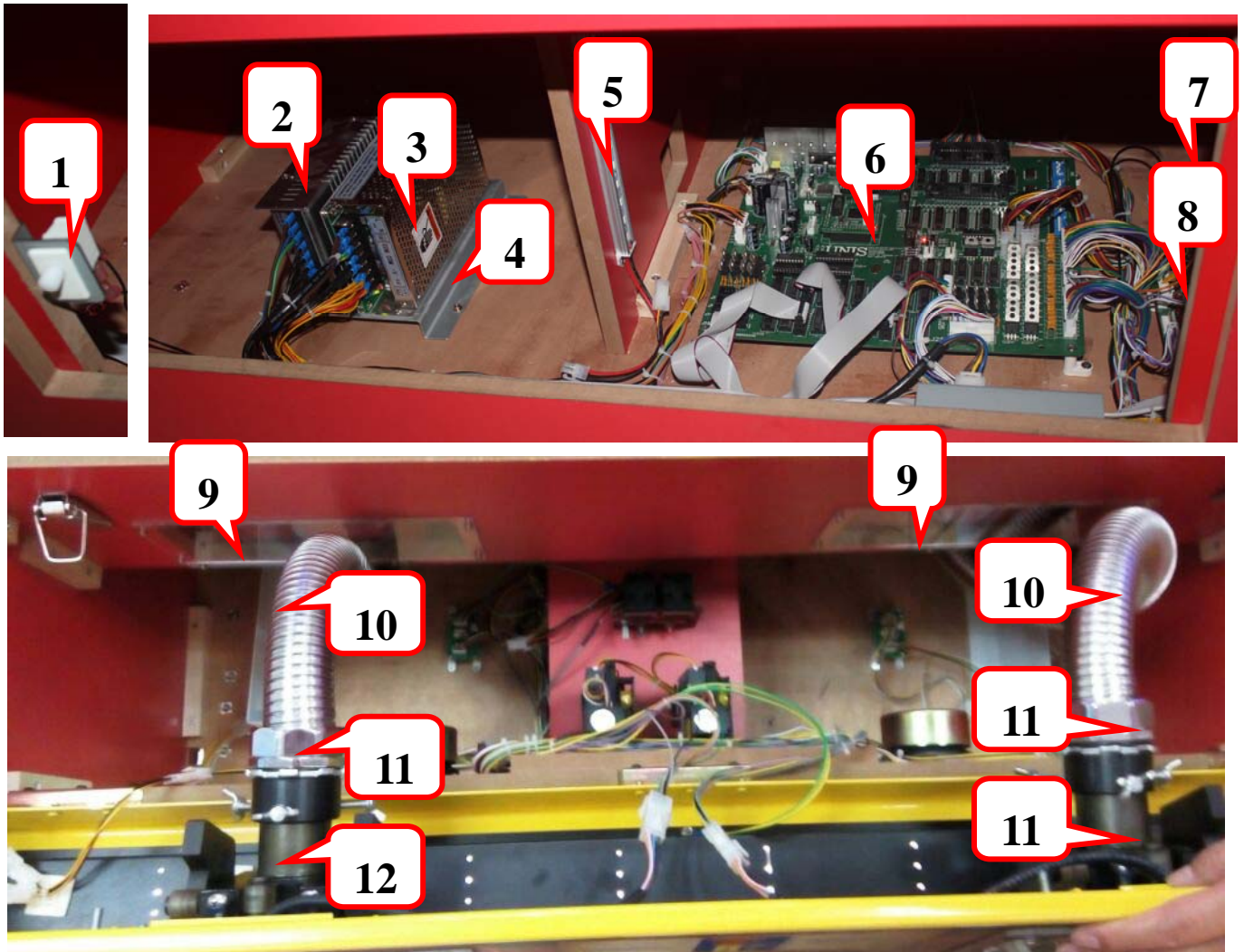
No.	Part No.	Code	Name	Qty
1	B120-149-000	20611407008	Gun shell light shade	1
2	B120-147-000	20611407006	Gun shell right 1	1
3	B120-148-000	20611407007	Gun shell left 1	1
4	B120-162-000	20211407026	Rubber wheel adjustment frame	1
5	B120-435-000	23404000212	Motor	1
6	B120-164-000	20211407028	Rubber wheel adjustment frame tooth plate	2
7	B120-365-000	20106000320	Flange BR.	2
8	B120-168-000	20211407031	Right adjustment motor mounting plate	1
	B120-167-000	20211407030	Left adjustment motor mounting plate	1
9	B120-161-000	20211407025	Ball detection frame	2
10	B120-166-000	20211407029	Rubber wheel	2
11	B120-144-000	20611407004	Rotating ball wheel	2
12	B120-159-000	20211407023	Steel rotor	2
13	B120-160-000	20211407024	Steel rotor shaft	2
14	B120-145-000	20211407014	Tension spring	2
15	B120-163-000	20211407027	Rubber wheel platen	2
16	B120-169-000	20211407032	Gun bed mounting plate	2
17	B120-174-000	20211407036	Control panel metal2	1
18	B120-158-000	20211407022	Gun stent tube	1
19	B120-153-000	20211407018	Rotation fixed right plate	2
20	B120-154-000	20211407019	Rotation fixed left plate	2
21	B120-151-000	20211407016	Gun pipe	2
22	B120-156-000	20211407020	Copper sleeve(big)	2
23	B120-157-000	20211407021	Rotation location plate	1
24	B120-152-000	20211407017	Copper sleeve (small)	1
25	B120-155-000	20611407009	Location sleeve	1
26	B120-261-000	29710714001	Infrared board	2

8.1.8 Seat assy.



No.	Part No.	Code	Name	Qty
1	B120-260-000	29911407010	Seat surface	1
2	B120-555-000	20311407055	Seat surface plate	1
3	B120-259-000	20211407100	Seat decorative ring	1
4	B120-556-000	20311407056	Seat surface mount plate	1
5	B120-101-000	20211301088	Support bar	2
6	B120-102-000	20211301089	Seat pedal	1
7	B120-105-000	20611301039	Both side plastic	2
8	B120-107-000	20611301040	Light bar fixed board	1
9	B120-103-000	20211301090	Seat base plate	1
10	B120-104-000	20611301038	Middle plastic	1
11	B120-105-000	20611301039	Both side plastic	2
12	B120-449-000	25900022001	M8×15 Adjustable feet white	9
13	B120-106-000	20211301091	Seat connection plate	1

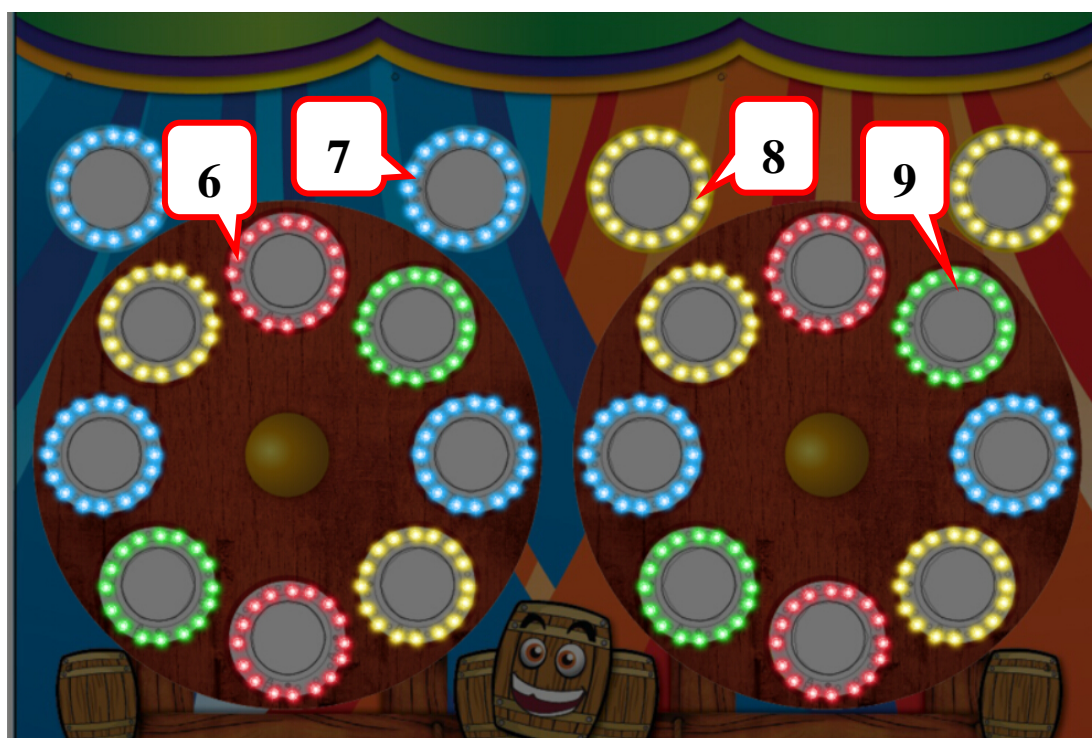
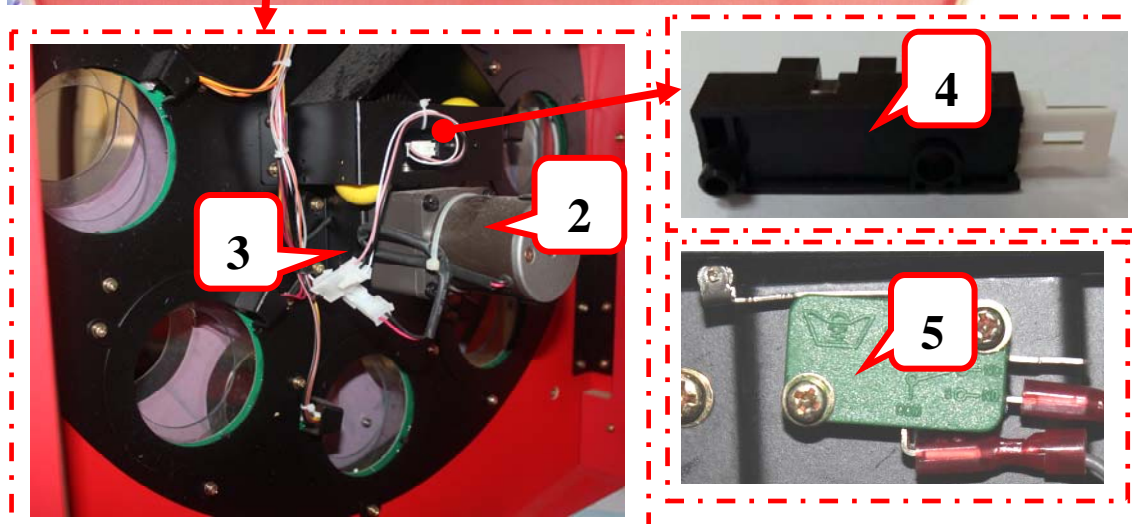
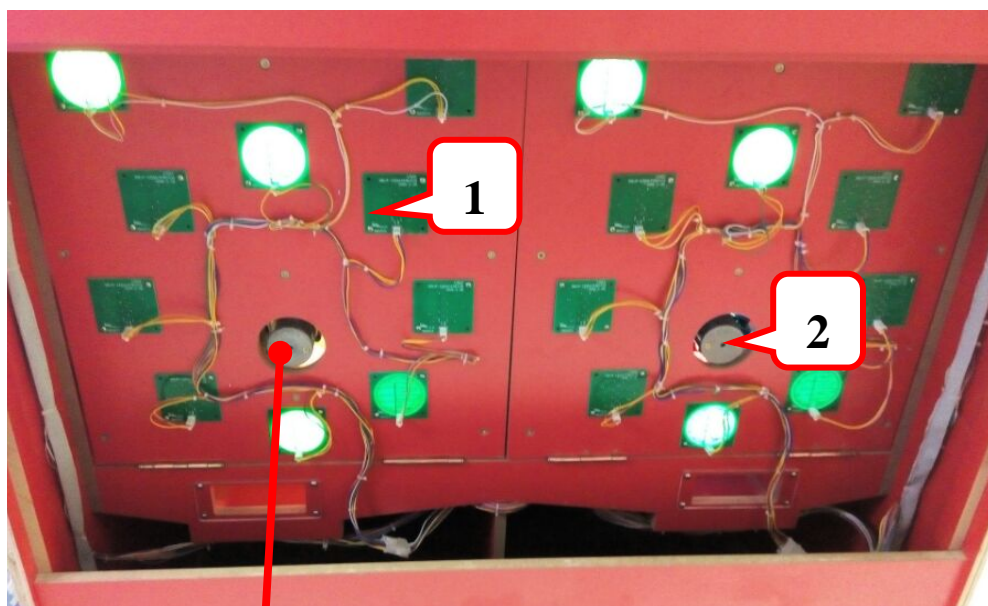
8.2 Electrical Part



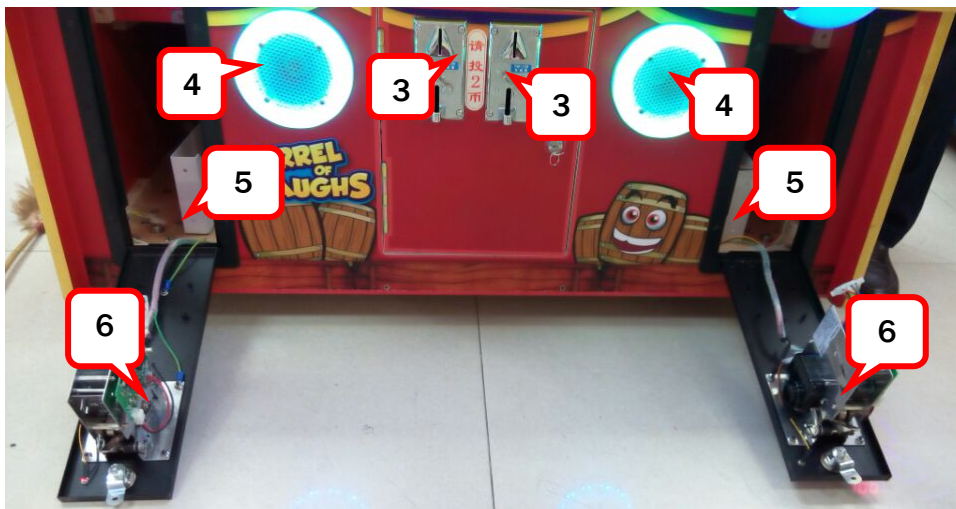
No.	Part No.	Code	Name	Qty
1	B120-426-000	22601010003	Gated SW	1
2	B120-407-000	21602000095	Power supply	1
3	B120-406-000	21602000094	Power supply	1
4	B120-108-000	26000001000	Power supply bracket	1
5	B120-416-000	22003080003	Service light	1
	B120-131-000	20211407004	Repair light SW seat	1
6	B120-408-000	21701000014	Main board	1
7	B120-419-000	22140000016	Relay	1
	B120-458-000	29710831005	Relay PCB	1
8	B120-459-000	29711208001	Drive board	1
9	B120-135-000	20611407002	Front fairway perspective glass	2
10	B120-185-000	20211407042	Stainless steel corrugated pipe	2
	B120-442-000	25106012002	Stainless steel hose	2
11	B120-439-000	25101110037	Hose interface	2
12	B120-184-000	20211407041	Pipe fixed ring	2



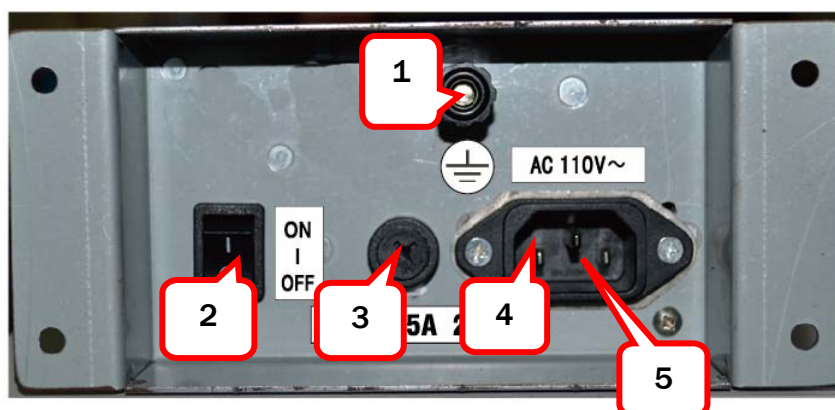
No.	Part No.	Code	Name	Qty
1	B120-413-000	22002013003	LED flexible light belt	1
2	B120-416-000	22003080003	Top marquee light	2
3	B120-418-000	22004070001	Marquee spotlight	1
4	B120-456-000	29710615001	Time digital board	1
5	B120-467-000	29790800003	Time digital board	1
6	B120-404-000	20710805003	LED Light board	1
7	B120-460-000	29711407001	PCB	1
8	B120-471-000	22002013016	5050 flexible light belt	1



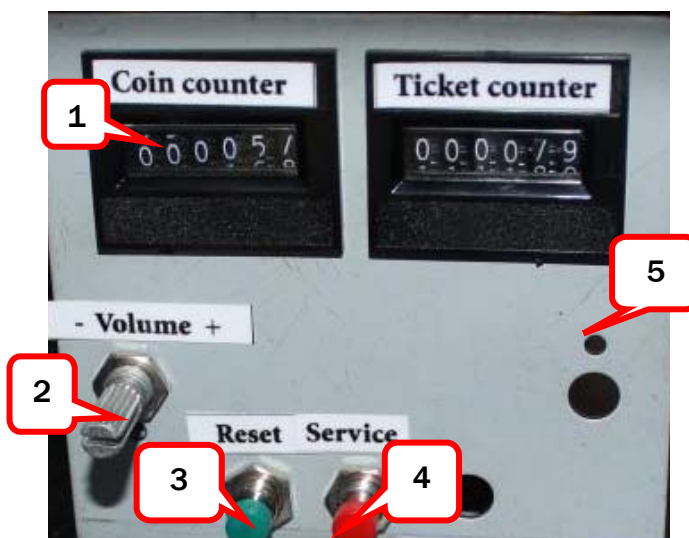
No.	Part No.	Code	Name	Qty
1	B120-457-000	29710811001	Light board	20
2	B120-436-000	23404000213	Motor	2
3	B120-438-000	23501000007	Electromagnet	2
4	B120-405-000	21503000046	Photoelectric sensor	2
	B120-420-000	22201000089	LED light with socket	4
5	B120-427-000	22604000006	Micro SW	2
6	B120-461-000	29711407002	Sensor broad2	4
7	B120-464-000	29711407005	Sensor broad2	4
8	B120-462-000	29711407003	Sensor broad2	4
9	B120-463-000	29711407004	Sensor broad2	4



No.	Part No.	Code	Name	Qty
1	B120-413-000	22002013003	LED flexible light belt	1
2	B120-465-000	29741122S003	Gun light PCB	2
	B120-414-000	22002013004	LED flexible light belt	1
3	B120-410-000	21712000001	Ticket converted board	2
	B120-431-000	23100000005	Ticket dispenser	2
4	B120-428-000	22801000005	Speaker	2
	B120-466-000	29751301003	Speaker light board	2
5	B120-109-000	26000007000	Ticket bin	2
6	B120-421-000	22301000001	Coin mech.	2
	B120-415-000	22003000075	Red light with socket	2



No.	Part No.	Code	Name	Qty
1	B120-472-000	21412000001	Terminal	1
2	B120-425-000	22601000005	Small rocker SW	2
3	B120-411-000	21901000010	Fuse	1
	B120-412-000	21902000006	Fuse socket	1
4	B120-432-000	23201000001	Filter	1
5	B120-433-000	23301000001	Power cord	1



No.	Part No.	Code	Name	Qty
1	B120-430-000	23000000005	Counter	2
2	B120-473-000	22403000001	POT knob	1
	B120-424-000	22501000017	POT	1
3	B120-423-000	22402030001	Reset button(green)	1
4	B120-422-000	22402010001	Service button(red)	1
5	B120-409-000	21709000002	POT connection board	1

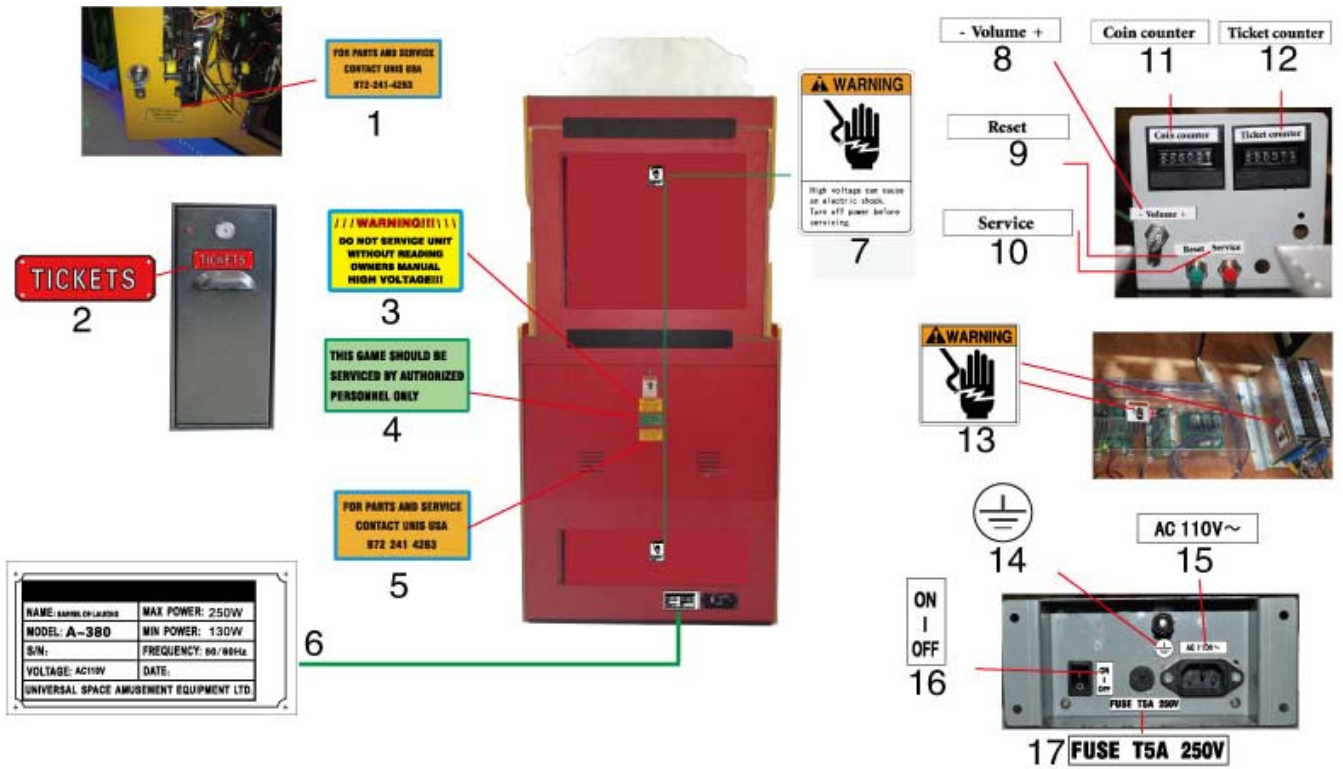
9. Decal



No.	Part No.	Code	Name	Qty
1	B120-719-000	20511407001	Marquee decal	1
2	B120-730-000	20511407012	Top Marquee plastic	1
3	B120-729-000	20511407011	Score plastic	1
4	B120-725-000	20511407007	Boy clown plastic	1
5	B120-726-000	20511407008	Girl clown plastic	1
6	B120-723-000	20511407005	Control panel front plastic	1
7	B120-727-000	20511407009	Barrel plastic	2
8	B120-738-000	20511407020	Control panel decal	1
9	B120-739-000	20511407021	Front door decal	1
10	B120-722-000	20511407004	Gun bed Cover plate decal	2
11	B120-731-000	20511407013	WIN Cover plastic	1
12	B120-728-000	20511407010	Turntable back plastic	1
13	B120-733-000	20511407015	Back plate L plastic	1
14	B120-734-000	20511407016	Back plate R plastic	1
15	B120-724-000	20511407006	Turntable plastic 1	2
16	B120-735-000	20511407017	Turntable plastic 2	2
17	B120-736-000	20511407018	Turntable plastic 3	2
18	B120-737-000	20511407019	Turntable plastic 4	2

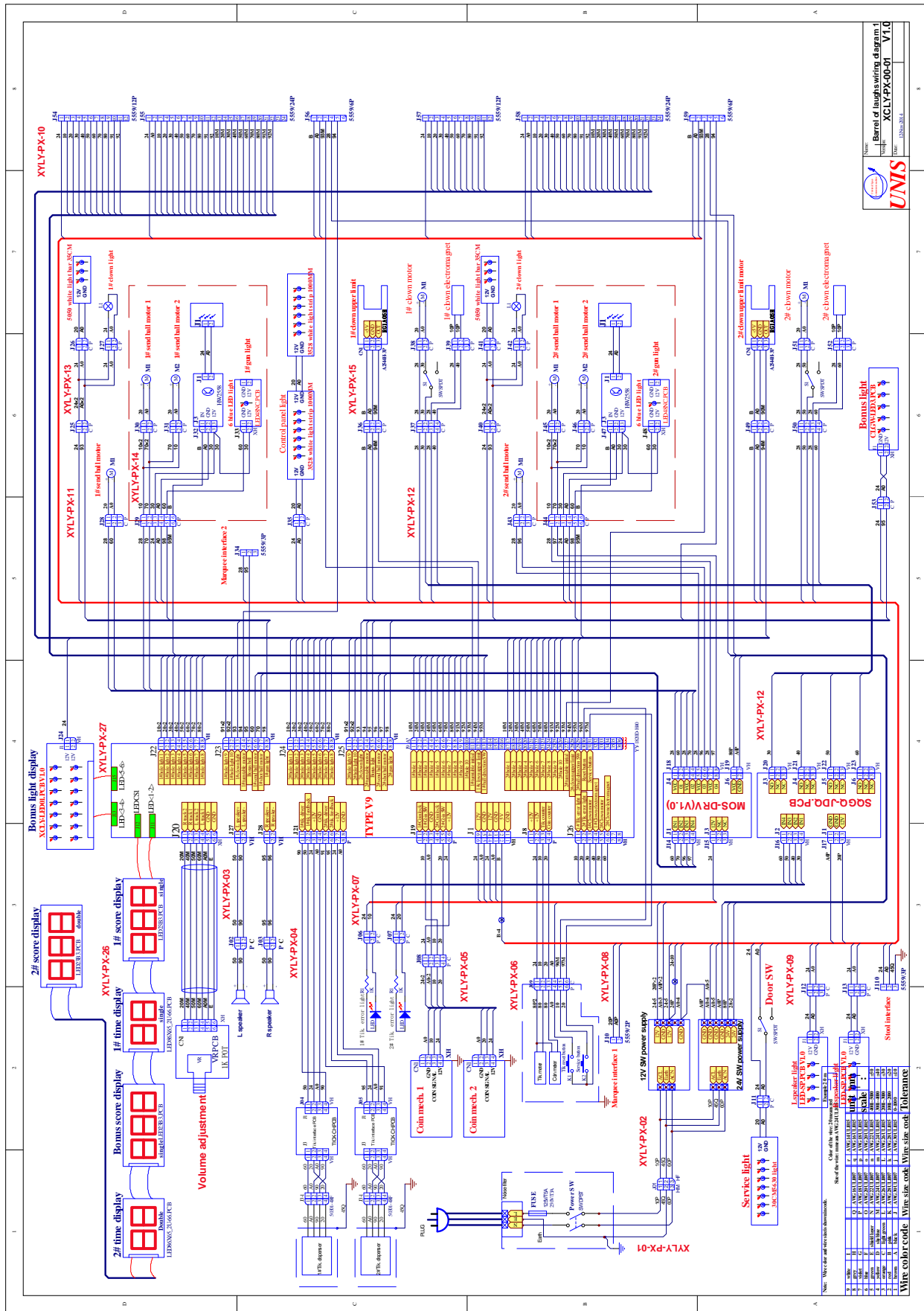


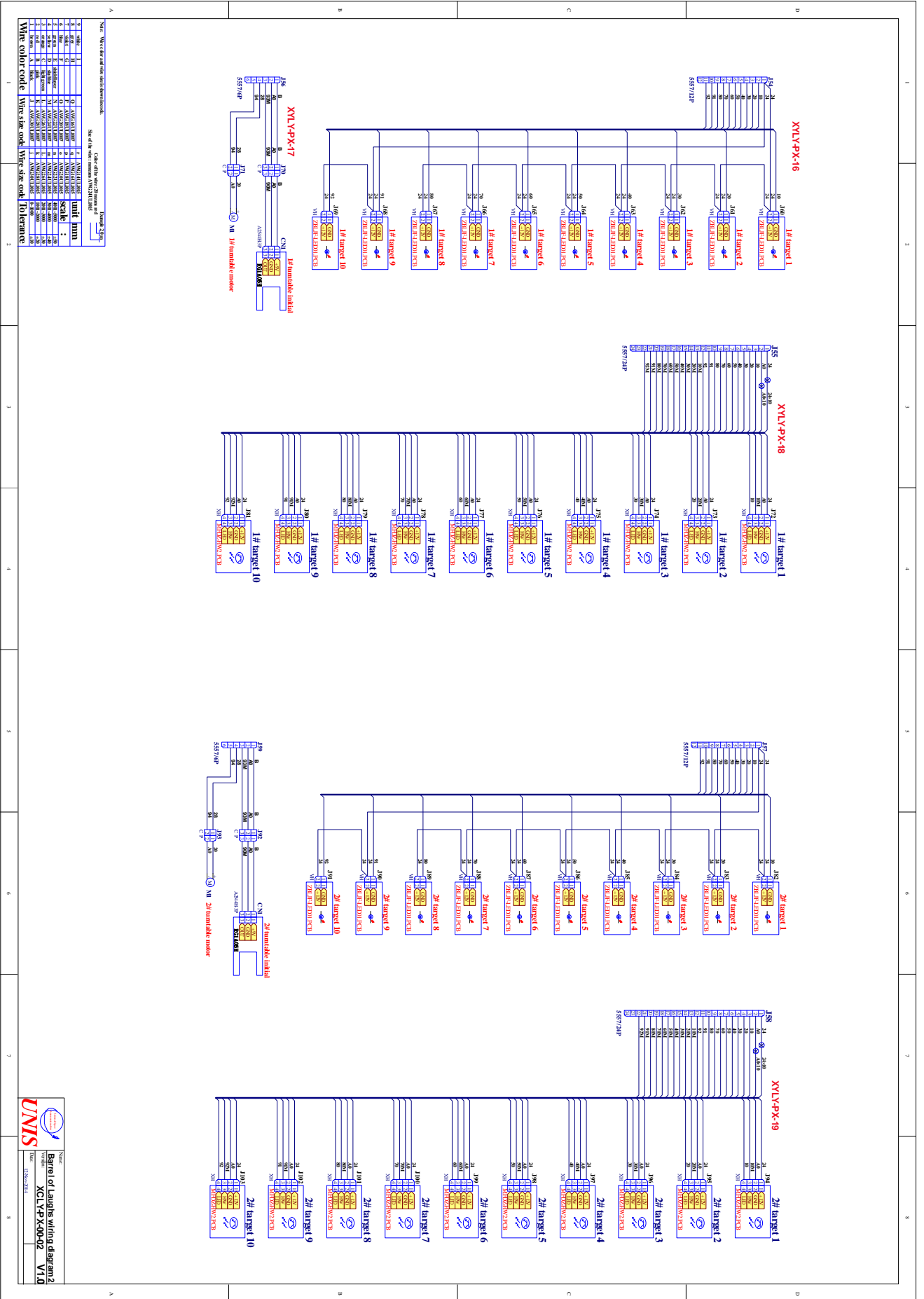
No.	Part No.	Code	Name	Qty
1	B120-743-000	20511407025	Ticket score decal	1
2	B120-740-000	20511407022	Barrel bottom decal	1
3	B120-732-000	20511407014	Ball collection plate PVC	1
4	B120-741-000	20511407023	Digital decal	1
5	B120-720-000	20511407002	L cover pop decal	1
6	B120-721-000	20511407003	R cover pop decal	1
7	B120-702-000	20511301025	Seat decal	1
8	B120-745-000	20511407027	Right front decal	1
9	B120-746-000	20511407028	Right upper decal	1
10	B120-744-000	20511407026	Right decal	1
11	B120-749-000	20511407031	Left upper decal	1
12	B120-748-000	20511407030	Left front decal	1
13	B120-747-000	20511407029	Left decal	1



No.	Part No.	Code	Name	Qty
1	B120-718-000	25600000096	Service label -S	1
2	B120-709-000	25600000034	Tickets label	2
3	B120-713-000	25600000067	Warning label	1
4	B120-712-000	25600000042	Service label 1	1
5	B120-717-000	25600000095	Service label-L	1
6	B120-742-000	20511407024	Non-certification 110V nameplate	1
7	B120-711-000	25600000037	High voltage warning(large)	3
8	B120-705-000	25600000003	Volume label	1
9	B120-706-000	25600000006	Reset label	1
10	B120-707-000	25600000009	Service label	1
11	B120-703-000	25600000001	Coin counter label	1
12	B120-704-000	25600000002	Ticket counter label	1
13	B120-710-000	25600000036	High voltage warning(small)	2
14	B120-716-000	25600000091	New ground wiring label	1
15	B120-714-000	25600000071	AC 110V label	1
16	B120-708-000	25600000017	Power SW label B	1
17	B120-715-000	25600000073	Fuse label	1

Wiring diagram







UNIS
Barrel of Laughs wiring diagram
XCL1FP-X00-02 V1.0



Have Questions? Contact us!

www.universal-space.com

 International Support Center	 USA Support Center
Tel: +1-905-477-2823 Fax: +1-905-477-2660 Email: service@universal-space.com (Contact: Clement Yau)	Tel: 972-241-4263 Fax: 214-919-4918 Email: tsnelling@unisusasupportcenter.com (Contact: Tim Snelling)